

Gaggenau

Installation instructions2

Notice de montage17

Instrucciones de instalación33

VG 264 220 CA

Gas cooktop

Table de cuisson gaz

Encimera a gas

Table of Contents

▲ Safety Definitions	2
IMPORTANT SAFETY INSTRUCTIONS	3
Appliance Handling Safety	5
Safety Codes and Standards	5
Electric Safety	6
Gas Safety	6
Propane Gas Installation	7
Related Equipment Safety	7
Before you begin	8
Tools and Parts Needed	8
Parts Included	8
Installation accessories	8
Cabinet Requirements	9
Countertop Requirements	9
Technical Data	9
Installation Procedure	10
Prepare Installation Space	10
Install Appliance	10
Connect Gas Supply	11
Connect Electrical Supply	11
Burner Cap Placement	11
Check the Installation	11
Removing the appliance	12
Conversion to another type of gas	12
Customer Service	16

The wiring diagram is available on the last page of this manual.

Additional information on products, accessories, replacement parts and services can be found at www.gaggenau.com and in the online shop www.gaggenau.com/zz/store

▲ Safety Definitions

▲ WARNING

This indicates that death or serious injuries may occur as a result of non-observance of this warning.

▲ CAUTION

This indicates that minor or moderate injuries may occur as a result of non-observance of this warning.

NOTICE

This indicates that damage to the appliance or property may occur as a result of non-compliance with this advisory.

Note: This alerts you to important information and/or tips.



IMPORTANT SAFETY INSTRUCTIONS

READ AND SAVE THESE INSTRUCTIONS

⚠ WARNING:

If the information in these instructions is not followed exactly, a fire or explosion may result causing property damage, personal injury or death.

- Do not store or use gasoline or other flammable vapors and liquids in the vicinity of this or any other appliance.
- **WHAT TO DO IF YOU SMELL GAS**
 - Do not try to light any appliance.
 - Do not touch any electrical switch.
 - Do not use any phone in your building.
 - Immediately call your gas supplier from a neighbor's phone. Follow the gas supplier's instructions.
 - If you cannot reach your gas supplier, call the fire department.
- Installation and service must be performed by a qualified installer, service agency or the gas supplier.



IMPORTANT SAFETY INSTRUCTIONS

READ AND SAVE THESE INSTRUCTIONS

⚠ WARNING:

Never Operate the Top Surface Cooking Section of this Appliance Unattended

- **Failure to follow this warning statement could result in fire, explosion, or burn hazard that could cause property damage, personal injury, or death.**
- **If a fire should occur, keep away from the appliance and immediately call your fire department.**

DO NOT ATTEMPT TO EXTINGUISH AN OIL/GREASE FIRE WITH WATER.

IMPORTANT SAFETY INSTRUCTIONS

READ AND SAVE THESE INSTRUCTIONS

IMPORTANT: THE APPLIANCE MUST BE INSTALLED BY A QUALIFIED INSTALLER.

INSTALLER: LEAVE THESE INSTRUCTIONS WITH THE APPLIANCE AFTER INSTALLATION IS COMPLETE.

IMPORTANT: SAVE FOR THE LOCAL INSPECTOR'S USE.

WARNING

If the information in this manual is not followed exactly, fire or shock may result causing property damage or personal injury.

WARNING

Do not repair, replace or remove any part of the appliance unless specifically recommended in the manuals. Improper installation, service or maintenance can cause injury or property damage. Refer to this manual for guidance. All other servicing should be done by an authorized service provider.

Improper installation is not covered by the warranty.

Appliance Handling Safety



Hidden surfaces may have sharp edges. Use caution when reaching behind or under appliance.

Safety Codes and Standards

This appliance complies with one or more of the following Standards:

- **UL 858, The Standard for the Safety of Household Electric Ranges**
- **UL 923, The Standard for the Safety of Microwave Cooking Appliances**
- **UL 507, The Standard for the Safety of Electric Fans**
- **ANSI Z21.1 / CSA 1.1 Household Cooking Gas Appliances**
- **CAN/CSA-C22.2 No. 113-M1984 Fans and Ventilators**
- **CAN/CSA-C22.2 No. 61-M89 Household Cooking Ranges**

It is the responsibility of the owner and the installer to determine if additional requirements and/or standards apply to specific installations.

Installation must conform with local codes or, in the absence of local codes, with the National Fuel Gas Code, ANSI Z223.1/NFPA 54 or, in Canada, the Natural Gas and Propane Installation Code, CSA B149.1.

The appliance must be electrically grounded in accordance with local codes or, in the absence of local codes, with the National Electrical Code, NFPA 70 latest edition or, in Canada, the Canadian Electric Code, CSA C22.1-02.



IMPORTANT SAFETY INSTRUCTIONS

READ AND SAVE THESE INSTRUCTIONS

Electric Safety



WARNING

Before you plug in an electrical cord or turn on power supply, make sure all controls are in the OFF position.

For appliances equipped with a cord and plug, do not cut or remove the ground prong. It must be plugged into a matching grounding type receptacle to avoid electrical shock. If there is any doubt as to whether the wall receptacle is properly grounded, the customer should have it checked by a qualified electrician.

Do not use an extension cord.

Do not use an adapter.

If required by the National Electrical Code (or Canadian Electrical Code), this appliance must be installed on a separate branch circuit.

The circuit breaker should have a contact separation of at least 3 mm on all poles.

Be sure your appliance is properly installed and grounded by a qualified technician. Installation, electrical connections and grounding must comply with all applicable codes.

Before installing, turn power OFF at the service panel. Lock service panel to prevent power from being turned ON accidentally.

Installer – show the owner the location of the circuit breaker or fuse. Mark it for easy reference.

Gas Safety

Install a gas shutoff valve near the appliance. It must be easily accessible in an emergency.

Leak testing must be conducted by the installer according to the instructions in this manual.

The appliance and its individual shutoff valve must be disconnected from the gas supply piping system during any pressure testing at pressures in excess of ½ psi (3.5 kPa).

The appliance must be isolated from the gas supply piping system by closing its individual manual shutoff valve during any pressure testing of the gas supply piping system at test pressures equal to or less than ½ psi (3.5 kPa).

The minimum supply pressure must be 1" water column above the manifold pressure printed on the rating label. The maximum supply pressure must not exceed 14.0 inches water column (34.9 Millibars).

A metal flex line or fixed metal pipe shall be used to connect gas to the appliance. If a metal gas line cannot be used, consult your local certified electrician or local electric codes for proper grounding.



IMPORTANT SAFETY INSTRUCTIONS

READ AND SAVE THESE INSTRUCTIONS

IMPORTANT SAFETY NOTICE: Burning gas cooking fuel generates some by-products which are on the list of substances which are known by the State of California to cause cancer or reproductive harm. To minimize exposure to these substances, always operate this unit according to the instructions contained in this booklet and provide good ventilation.

Proposition 65 Warning:

This product may contain a chemical known to the State of California, which can cause cancer or reproductive harm. Therefore, the packaging of your product may bear the following label as required by California:

STATE OF CALIFORNIA PROPOSITION 65 WARNING:



WARNING

Cancer and Reproductive Harm - www.P65Warnings.ca.gov

Propane Gas Installation

The propane gas tank must be equipped with its own high pressure regulator. In addition, the regulator supplied with this unit must also be used.

The appliance is shipped from the factory for use with natural gas. It must be converted for use with propane. A qualified technician or installer must do the conversion.

For use with propane the appliance must be converted per the LP conversion instructions.

For Massachusetts installations:

- Installation must be performed by a qualified or licensed contractor, plumber or gas fitter qualified or licensed by the state, province or region where this appliance is being installed.
- Shut-off valve must be a "T" handle gas cock.
- Flexible gas connector must not be longer than 36 inches.

Installer - show the owner where the gas shut-off valve is located.

Related Equipment Safety

The appliance should only be used if installed by a qualified technician in accordance with these installation instructions. The manufacturer is not responsible for any damage resulting from incorrect installation.

Remove all tape and packaging before using the appliance. Destroy the packaging after unpacking the appliance. Never allow children to play with packaging material.

Never modify or alter the construction of the appliance. For example, do not remove leveling legs, panels, wire covers or anti-tip brackets/screws.

To eliminate the risk of burns or fire by reaching over heated surface units, cabinet storage space located above the surface units should be avoided. If cabinet storage is to be provided, the risk can be reduced by installing a hood that projects horizontally a minimum of 5 inches (127 mm) beyond the bottom of the cabinet.

Verify that cabinets above the cooktop are a maximum of 13" (330 mm) deep.

When installing a cooktop over a single oven, be sure to follow both the oven's and cooktop's installation manuals.

Ventilation Recommendations

We strongly recommend the installation of a ventilation hood above this appliance. The hood must be installed according to instructions furnished with the hood.

⚠ CAUTION

The appliance should not be installed with a ventilation system that blows air downward toward the burners. This type of ventilation system may cause ignition and combustion problems with the gas cooking appliance resulting in personal injury or unintended operation.

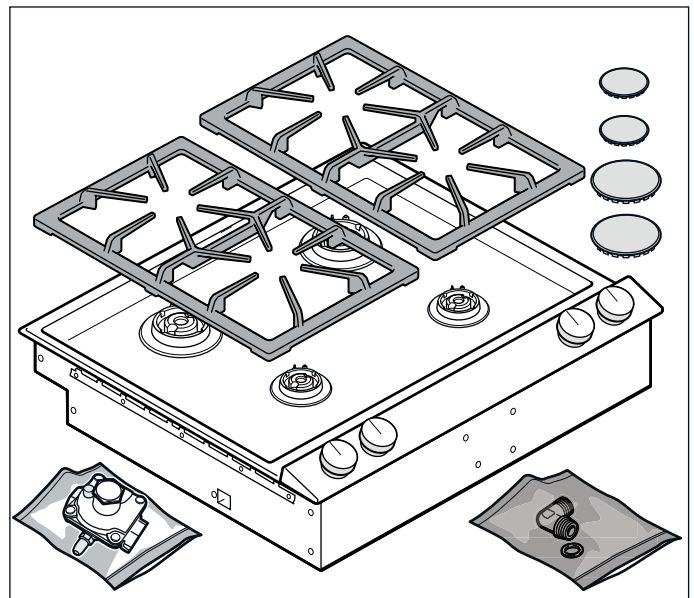
Before you begin

Tools and Parts Needed

- Phillips Head Screwdriver
- Pencil
- Drill with ¼" (6 mm) bit
- Jigsaw
- Tape Measure

Note: Additional materials may be necessary for installation in solid surface countertops. Contact the countertop manufacturer.

Parts Included



- Burner grates (2x)
- Burner caps (4x)
- Pressure regulator
- 1/2" U.S.A. elbow and fiber gasket

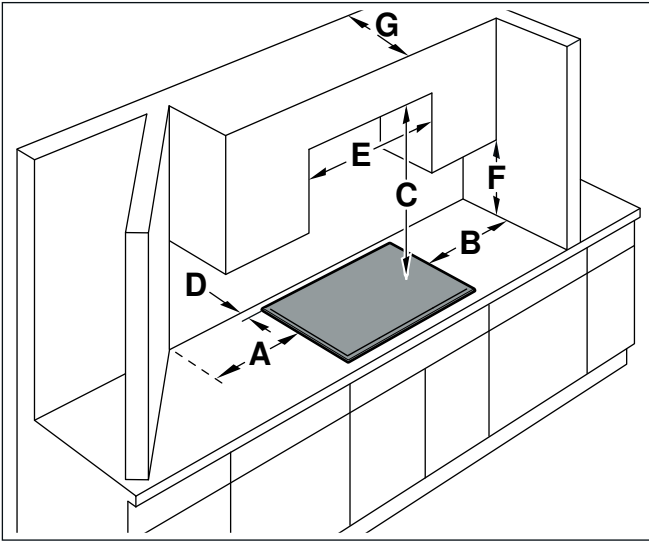
Installation accessories

VV 200 010 Stainless steel connection strip for combining with other Vario 200 appliances

VV 200 020 Black connection strip for combining with other Vario 200 appliances

Use the accessories only as indicated. The manufacturer assumes no liability for incorrect usage of the accessories.

Cabinet Requirements



The minimum spaces that must be maintained when installing the gas cooktop shall be:

- A** minimum 12" (300 mm)
- B** minimum 12" (300 mm)
- C** minimum 30" (762 mm) clearance between the top of the cooking surface and the bottom of combustible constructions
- D** minimum 1 ⁹/₁₆" (40 mm)
- E** minimum 24" (600 mm)
- F** minimum 18" (460 mm)
- G** maximum 13" (330 mm)

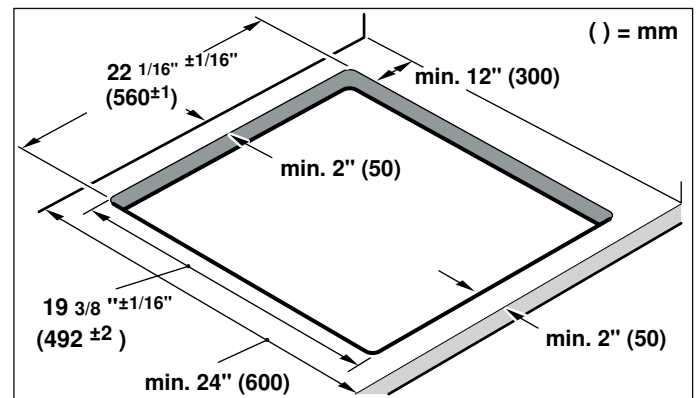
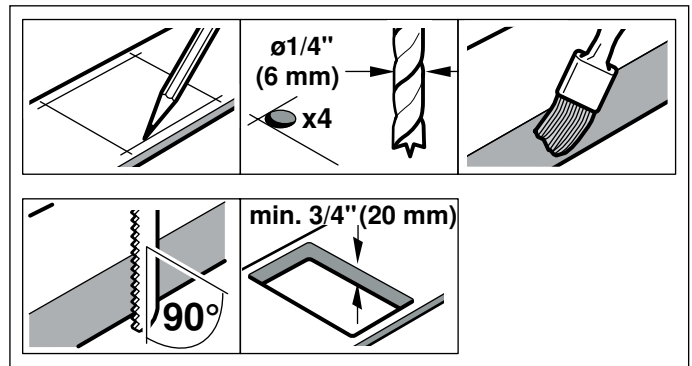
The distance from the top of the cooktop to the bottom of cabinets above can be reduced to 26" when the bottom of the wood or metal cabinet is protected by not less than 1/4" (6.35 mm)-thick flame-retardant millboard covered with not less than No. 28 MSG sheet metal, 0.015 inch (0.4 mm) stainless steel, 0.024 inch (0.6 mm) aluminum or copper.

Countertop Requirements

⚠ WARNING

To reduce the risk of ignition of surrounding combustible materials, install at least 12" (300 mm) from both sidewalls and at least 2" (51 mm) from the rear wall.

The countertop must be level and horizontal. The stability of the countertop must be maintained after the cut-out has been made.



Technical Data

Total connected load electric	10 W
Total connected load gas (natural gas)	33,000 BTU/h (9.8 kW)
Total connected load gas (propane gas)	33,000 BTU/h (9.8 kW)

Installation Procedure

Prepare Installation Space

The kitchen unit must be heat-resistant to at least 200° F (90° C). The stability of the unit must be maintained after producing the cut-out.

Create the cut-out in the countertop for one or several Vario appliances according to the installation diagram. The angle of the cut surface to the countertop must be 90°.

After creating cut-out, remove shavings. Seal cut surfaces in a heat-resistant manner.

Some solid surface countertops require special installations. For example, heat reflective tape and rounded corners may be necessary. Contact the countertop manufacturer for instructions specific to your countertop.

Observe minimum distance between appliance underside and furniture parts of $\frac{3}{8}$ " (10 mm).

To improve flame stability, we recommend installing an intermediate floor underneath the appliance in the installation cabinet.

When installing multiple Vario appliances: Take into account spacerequirement for VV 200 connection strip between the appliances. Appliances can also be installed in individual cut-outs, bearing in mind a minimum distance between the appliances of $1\frac{9}{16}$ " (40 mm).

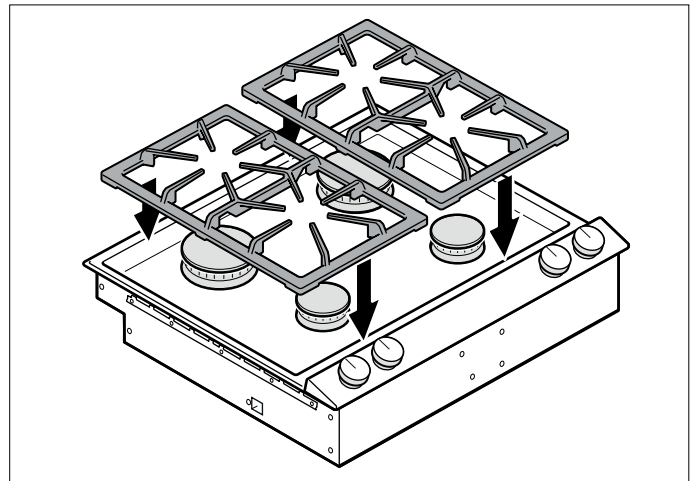
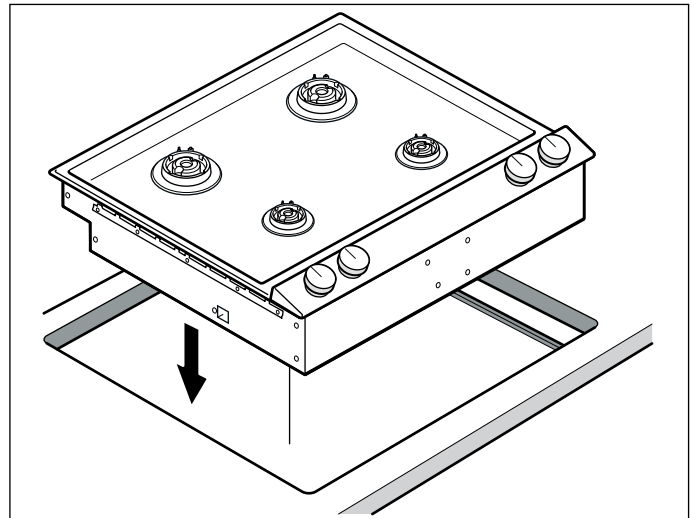
Install Appliance

WARNING

Before you plug in an electrical cord or turn on power supply, make sure all controls are in the OFF position.

1. Secure the appliance cover VD 200 020 (available separately as special accessories) before fitting on the appliance (see installation instructions VD 200 020).
2. Insert appliance evenly into the cutout. Push it firmly into the cutout from above.

Note: The appliance must be firmly fixed in the cutout and must not be able to move around (e.g. during cleaning). If the width of the cutout is at the upper tolerance limit, fasten the ledges at the sides in the cutout if necessary.



Connect Gas Supply

The appliance is shipped from the factory for use with natural gas. It must be converted for use with propane. A qualified technician or installer must do the conversion.

Before connecting the appliance, please check whether the local connection conditions such as gas type and gas pressure match the appliance settings.

Make sure the gas supply is turned off at the manual shut-off valve before connecting the appliance.

The gas connection must be in a location that permits access to the manual shut-off valve and which, if applicable, is visible after opening the door of the cabinet.

The flexible gas line must not come into contact with moving parts of the fitted unit (e.g. drawers) or be laid in areas where it could become trapped or damaged.

The flexible gas line must not come into contact with a cooktop, oven, dishwasher, refrigerator, washing machine, hot water pipe, radiator or any other appliance installed in the vicinity of the gas cooktop.

The flexible gas line must not be subject to rubbing, vibrations, kinking or any other kind of deformation. It should be checked along its entire length with the cooktop in the installation position.

SERVICER INFO ONLY

Connect the gas supply using the ½" U.S.A. elbow and the fiber gasket supplied with the unit. The shorter, nontapered thread fits into the threaded nut on the cooktop. The longer, tapered U.S.A. thread is for the incoming gas supply. Vent the gas line, check for leaks.

⚠ CAUTION

The gas pressure regulator is supplied with the unit and comes set for natural gas.

Connect Electrical Supply

Before connecting supply cord to wall receptacle, make certain that gas shutoff valve and all burner controls are in OFF position.

Electrical connection (AC 110-120 V) is established by means of a connecting cord with a grounding contact plug connected to a grounded socket, which must also be accessible after installation of the gas cooktop.

Burner Cap Placement

The burner parts must be properly placed for the cooktop to function properly. If the burner parts are not properly placed, one or more of the following problems may occur:

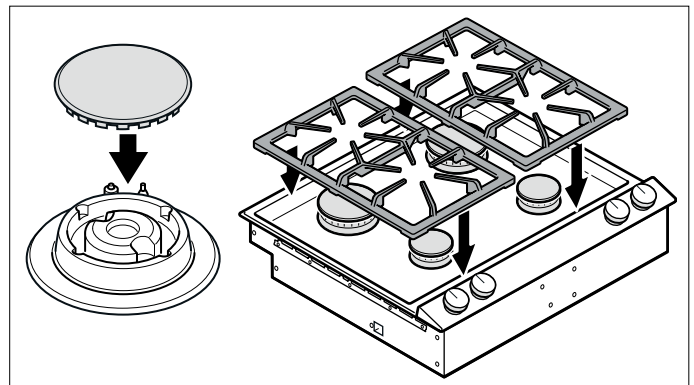
- Burner flames are too high.
- Flames shoot out of burners.
- Burners do not ignite.
- Burner flames light unevenly.
- Burner emits gas odor.

Placing Burner Parts

After electrical connection is complete, assemble the burner parts correctly and evenly. When assembling the burner parts, make sure that the burner head is placed on the base in such a way that the prongs of the burner cap fit snugly into the groove of the burner base.

Checking Burner Cap Placement

Check to make sure that there is no gap between the burner parts. You may gently try to move the burner parts from side to side to check if they are properly placed.



Check the Installation

Check operation of electric igniters. Check flame characteristics. Flame should be blue with no yellow tip.

Yellow Flames:

Further adjustment is required.

Yellow Tips on Outer Cones:

Normal for LPG Gas.

Soft Blue Flames:

Normal for Natural Gas.

If the flame is completely or mostly yellow, verify that the regulator is set for the correct fuel. After adjustment, retest.

Some yellow streaking is normal during the initial start-up. Allow unit to operate 4-5 minutes and re-evaluate before making adjustments.

Removing the appliance

Disconnect the appliance from the power and the gas supply. Push out the appliance from below.

CAUTION

Risk of damage! Do not lever out the appliance from above.

Conversion to another type of gas

The appliance must only be converted to a different type of gas by a licensed expert.

Switch off the power supply and shut off the gas supply before carrying out conversion.

This gas cooktop conforms to the categories indicated on the rating plate. Changing the injection nozzles enables the appliance to be used with all the types of gas listed there. Conversion kits can be obtained from our after-sales service. Some models come delivered with a conversion kit.

The gas type is changed by:

- Replacing the main control jets
- Adjusting the gas valves (bypass screws)

The table shows the right combination for the relevant gas type.

Never remove the gas valve shaft. In the event of damage or unusual gas conversion, the entire gas valve must be replaced. Call customer service.

CAUTION

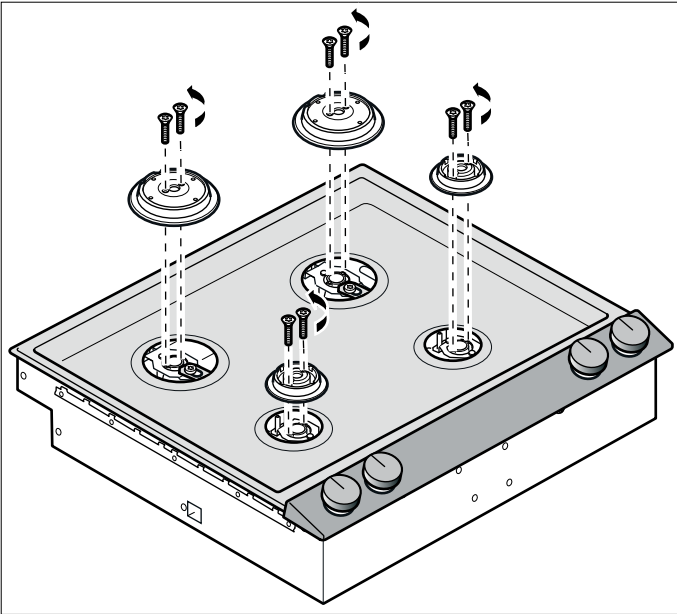
To convert regulator to LP (propane) gas:

Make-Maxitrol Model RV 47 CL ½ PSIG

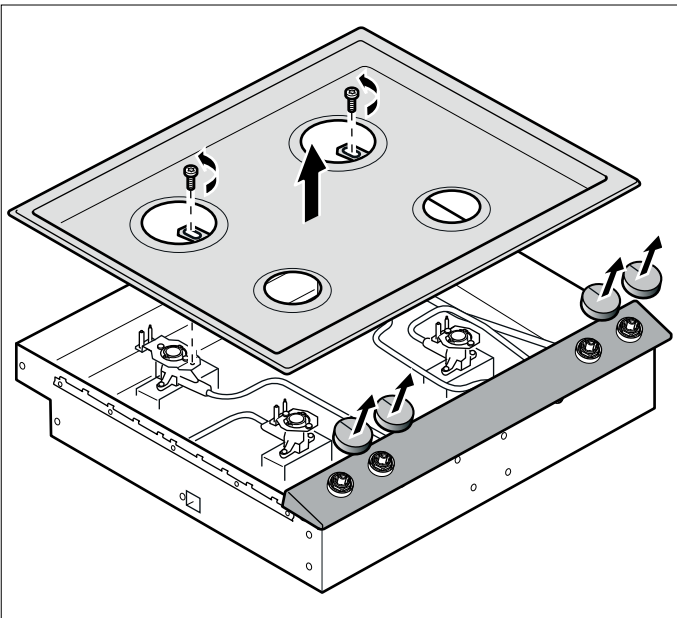
3. Remove the aluminum cap from the top of the regulator.
 4. Remove the yellow plastic shaft from the cap by pushing it sideways until it pops out of the groove in the cap.
 5. Turn the shaft over and push back into the cutout in the cap.
 6. Replace the cap on the regulator.
-

Replacing the main control nozzles:

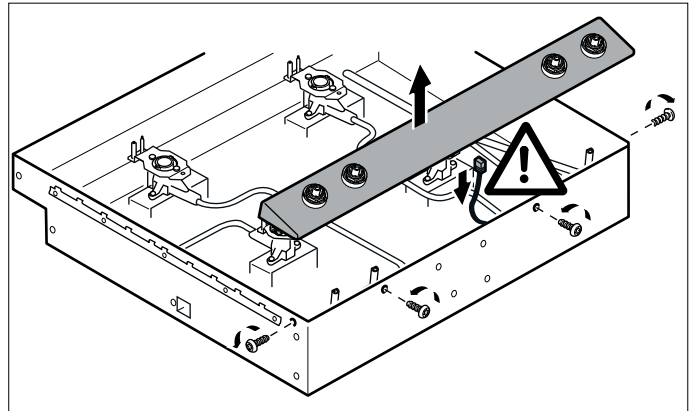
1. Remove the pan support and all burner parts.
2. Undo the fastening screws on the burners (two screws on each burner). Lift the burners upwards and remove them.



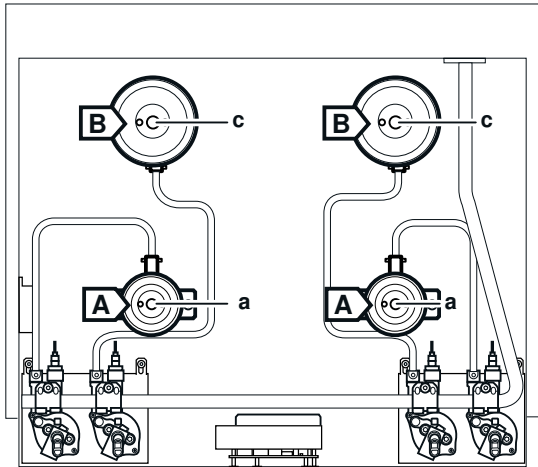
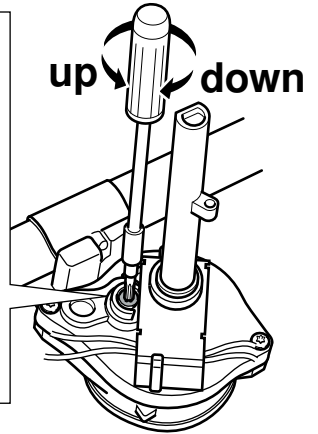
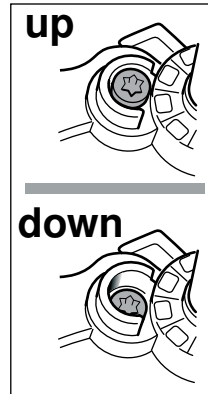
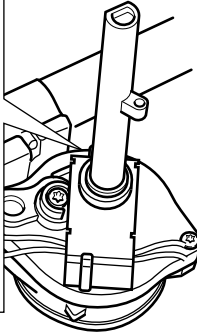
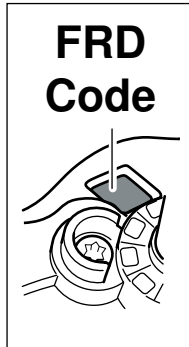
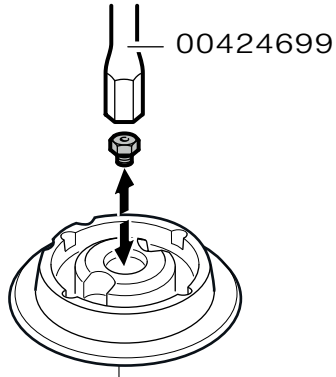
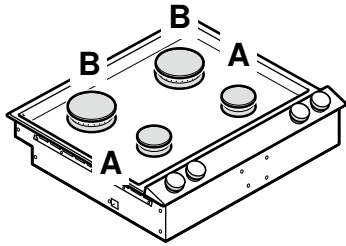
3. Undo the earthing screws on the two rear burners. Carefully lift the hob upwards and remove it.
4. Remove the control knob.



5. Undo the fastening screws on the control panel. Remove the control panel and disconnect the connection cable on the back of the control panel.



6. Replace the nozzles. You can obtain a key from our customer service (order number 00424699). Take care not to break the nozzles when (un)screwing them.
7. Screw the new nozzles in as far as possible to obtain a tight seal.



A			FRD-Code	M	Qn	BTU/h
	NG A 6" WC	108	JH	up	1.9 kW	6,500
	Propane 10" WC	76	JH	down	1.9 kW	6,500

B			FRD-Code	M	Qn	BTU/h
	NG A 6" WC	137	JJ	up	3.0 kW	10,000
	Propane 10" WC	96	JJ	down	3.0 kW	10,000

Adjusting the gas valves**⚠ WARNING****Risk of damage!**

Do not over-tighten the bypass screws.

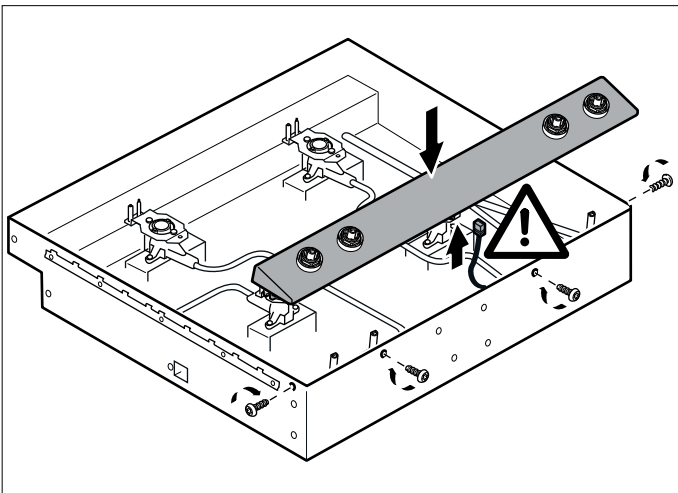
If necessary, adjust the bypass screws **M** using a Torx screwdriver (see table):

up: The bypass screws must be flush with the top edge of the frame.

down: The bypass screws must be screwed in fully.

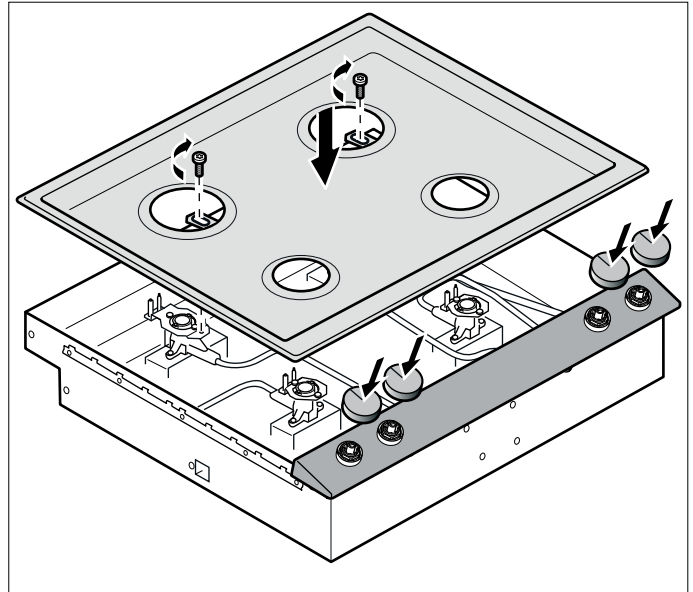
Assembly:

1. Connect the connection cable on the back of the control panel. Put the control panel in place and screw it in evenly.

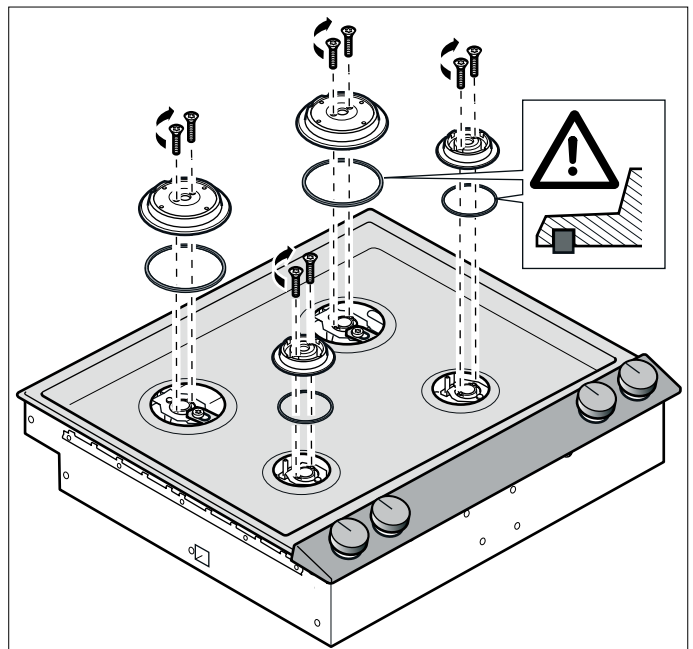


2. Attach the control knobs.

3. Put the hob in place and screw in the earthing screw on the rear burner.



4. Put the burners in place and screw them on, making sure that the seal is seated correctly.



5. Put the burner parts and pan supports in place, making sure they are positioned correctly.

Check that the appliance is working after conversion: Yellow tips must not be visible on the flames. When turning the control knob quickly between the highest and the lowest setting, the burner must not go out and flashback must not occur.

Note: Attach the sticker showing the new gas type next to the rating plate on the appliance.

Save the nozzles removed from the appliance for future use.

Customer Service

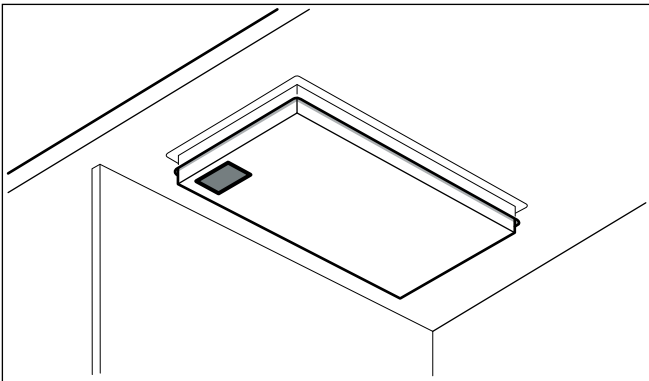
If your appliance needs repairs, our customer service is there for you. We work hard to help solve problems quickly and without unnecessary service calls, getting your appliance back up and running correctly in the least amount of time possible.

When you call, please indicate the product number (E-Nr.) and serial number (FD-Nr.) so that we can support you in a qualified manner. You will find the type plate with these numbers on the bottom of the appliance. To avoid having to search for a long time when you need it, you can enter your appliance data and the customer support telephone number here.

E-Nr.	FD-Nr.
-------	--------

Customer Service ☎

Please read the use and care instructions provided with your appliance. Failure to do so may result in an error in using the appliance. This could result in a service call that instead of fixing a mechanical issue is only needed for customer education. Such calls are not covered by the appliance warranty.



Please find the contact data of all countries in the enclosed customer service list.

To book a service visit and product advice

USA 877 442 4436
toll-free

CANADA 877 442 4436
toll-free

Table des matières

▲ Définitions de sécurité	17
CONSIGNES DE SÉCURITÉ IMPORTANTES	18
Sécurité de manutention des appareils	20
Codes et normes de sécurité	20
Sécurité électrique	21
Sécurité en matière de gaz	21
Installation au gaz propane	22
Équipement de sécurité	23
Avant de commencer	24
Outils et pièces nécessaires	24
Pièces comprises	24
Accessoires d'installation	24
Exigences pour les placards	24
Exigences pour le plan de travail	25
Caractéristiques techniques	25
Procédure d'installation	25
Préparation des meubles	25
Pose de l'appareil	26
Branchement du gaz	26
Brancher l'alimentation électrique	27
Montage des chapeaux de brûleur	27
Vérification de l'installation	27
Dépose de l'appareil	28
Changement de type de gaz	28
Service après-vente	32

Le schéma de câblage se trouve à la dernière page de ce manuel d'installation.

Vous trouverez des informations supplémentaires concernant les produits, accessoires, pièces de rechange et services sur Internet sous : www.gaggenau.com et la boutique en ligne : www.gaggenau.com/zz/store

▲ Définitions de sécurité

▲ AVERTISSEMENT

Ceci indique que le non-respect de cet avertissement peut entraîner des blessures graves, voire la mort.

▲ ATTENTION

Ceci indique que le non-respect de cet avertissement peut entraîner des blessures légères ou de gravité moyenne.

AVIS

Ceci indique que la non-conformité à cet avis de sécurité peut entraîner des dégâts matériels ou endommager l'appareil.

Remarque : Ceci vous signale des informations et/ou indications importantes.



CONSIGNES DE SÉCURITÉ IMPORTANTES

LIRE ET CONSERVER CES INSTRUCTIONS

⚠ AVERTISSEMENT :

Si les directives ne sont pas suivies à la lettre, il y a un risque d'incendie ou d'explosion pouvant entraîner des dommages matériels, des blessures ou un décès.

- **Ne pas conserver ou utiliser de l'essence ou d'autres liquides ou vapeurs inflammables à proximité de cet appareil ou de tout autre appareil.**
- **QUE FAIRE SI VOUS PERCEVEZ UNE ODEUR DE GAZ**
 - **Ne pas essayer de mettre un appareil sous tension.**
 - **Ne pas toucher d'interrupteur de courant électrique.**
 - **Ne pas utiliser de téléphones dans l'édifice.**
 - **Communiquer immédiatement avec le fournisseur de gaz depuis l'appareil téléphonique d'un voisin. Respecter les directives du fournisseur de gaz.**
 - **S'il s'avère impossible de joindre le fournisseur de gaz, communiquer avec les pompiers.**
- **Utiliser les services d'un installateur ou d'une agence de services qualifiés ou le fournisseur de gaz pour procéder à l'installation et aux réparations.**



CONSIGNES DE SÉCURITÉ IMPORTANTES

LIRE ET CONSERVER CES INSTRUCTIONS

▲ AVERTISSEMENT :

Ne faites jamais fonctionner la surface de cuisson, sur le dessus de cet appareil, sans surveillance

- **Le non-respect de cette mise en garde pourrait entraîner un incendie, une explosion ou un risque de brûlure et ainsi causer des dommages matériels, des blessures ou la mort.**
- **Si l'appareil prend feu, tenez-vous à l'écart et appelez immédiatement votre service des incendies.**

NE TENTEZ JAMAIS D'ÉTEINDRE UN FEU DE GRAISSE OU D'HUILE EN L'ASPERGEANT D'EAU.

CONSIGNES DE SÉCURITÉ IMPORTANTES

LIRE ET CONSERVER CES INSTRUCTIONS

IMPORTANT : IL FAUT FAIRE POSER L'APPAREIL PAR UN INSTALLATEUR QUALIFIÉ.

INSTALLATEUR : LAISSEZ CES INSTRUCTIONS AVEC L'APPAREIL APRÈS UNE FOIS L'INSTALLATION TERMINÉE. IMPORTANT : À CONSERVER POUR L'USAGE DE L'INSPECTEUR LOCAL.

AVERTISSEMENT

Si l'information de ce guide n'est pas suivie exactement, il peut en résulter un incendie ou un choc électrique causant des dommages à la propriété, des blessures ou la mort.

AVERTISSEMENT

Ne réparez, remplacez, ni ne retirez aucune partie de l'appareil, excepté si les manuels recommandent de le faire. Une installation, un entretien ou une inspection incorrects peuvent occasionner des blessures ou des dommages matériels. Reportez-vous au présent manuel pour obtenir des indications. Toute autre intervention doit être effectuée par un technicien agréé.

La garantie ne couvre pas une mauvaise installation.

Sécurité de manutention des appareils



Certaines surfaces peuvent avoir des bords tranchants. Faire attention en étendant le bras derrière l'appareil ou en dessous.

Codes et normes de sécurité

Cet appareil est conforme à une ou plusieurs des normes suivantes :

- **UL 858, la norme en matière de sécurité pour les cuisinières électriques domestiques**
- **UL 923, la norme en matière de sécurité pour les fours à micro-ondes**
- **UL 507, la norme en matière de sécurité pour les ventilateurs électriques**
- **ANSI Z21.1/CSA 1.1, Appareils électroménagers pour la cuisson à gaz**
- **CSA-C22.2 no 113-M1984, Ventilateurs**
- **CSA-C22.2 no 61-M89, Cuisinières domestiques**

Il incombe au propriétaire et à l'installateur de déterminer si des exigences et/ou normes additionnelles s'appliquent pour des installations spécifiques.

L'installation doit être conforme aux codes locaux ou, en l'absence de tels codes, au National Fuel Gas Code ANSI Z223.1/NFPA 54 ou, au Canada, au code national CSA B149.1 d'installation du gaz naturel et du propane.

CONSIGNES DE SÉCURITÉ IMPORTANTES

LIRE ET CONSERVER CES INSTRUCTIONS

L'appareil doit être mise à la terre en conformité aux codes locaux, ou en l'absence de tels codes, à la dernière version du National Electric Code NFPA 70 ou, au Canada, au code canadien de l'électricité CSA C22.1-02.

Sécurité électrique

AVERTISSEMENT

Avant tout raccordement de cordon électrique ou toute mise sous tension, assurez-vous que toutes les commandes sont en position OFF (d'arrêt).

Pour les appareils dotés d'un cordon et d'une fiche, ne pas couper ou enlever la broche de mise à la terre. Le cordon doit être branché dans une prise de courant adaptée de type mise à la terre pour éviter tout risque d'électrocution. S'il y a un doute en ce qui concerne la mise à la terre de la prise murale, le client devra s'adresser à un électricien qualifié.

N'utilisez pas de rallonge.

N'utilisez pas d'adaptateur.

S'il y a lieu, conformément au Code national de l'électricité (ou au Code canadien de l'électricité), cet appareil doit être installé sur un circuit de dérivation séparé.

Le disjoncteur doit avoir une séparation de contact de 3 mm. minimum pour tous les pôles.

S'assurer que l'appareil est installé et mis à la terre par un technicien qualifié.

L'installation, les connexions électriques et la mise à la terre doivent être conformes à tous les codes applicables.

Avant l'installation, mettre l'appareil hors service au panneau de service. Verrouiller le panneau d'entrée d'électricité pour éviter que le courant ne soit accidentellement rétabli.

Installateur – Indiquer au propriétaire l'emplacement du disjoncteur ou du fusible. Identifier sa position pour pouvoir le retrouver facilement.

Sécurité en matière de gaz

Installer un robinet d'arrêt de gaz à proximité de l'appareil. Celui-ci doit être facilement accessible en cas d'urgence.

Les essais d'étanchéité doivent être effectués par l'installateur conformément aux instructions du présent manuel.

L'appareil et le robinet individuel de fermeture à commande manuelle dont il est muni doivent être déconnectés du système de canalisations de gaz lors de tout contrôle de pression où la pression d'essai est supérieure à ½ psi (3,5 kPa).

L'appareil doit être isolé du système de canalisations de gaz en fermant le robinet individuel de fermeture à commande manuelle dont il est muni pendant tout contrôle de pression du système de canalisations de gaz à des pressions d'essai inférieures ou égales à ½ psi (3,5 kPa).



CONSIGNES DE SÉCURITÉ IMPORTANTES

LIRE ET CONSERVER CES INSTRUCTIONS

La pression minimale d'alimentation doit être de 1 po CE au-dessus de la pression du distributeur, tel qu'indiqué sur la plaque signalétique.

La pression maximale d'alimentation ne pas dépasser 14 po CE (34,9 millibars).

Une ligne de production métallique souple ou un tuyau métallique fixe doit être utilisé pour raccorder le gaz à l'appareil. Si une conduite de gaz en métal ne peut pas être utilisée, veuillez vous adresser à un électricien agréé local ou aux codes électriques locaux pour obtenir une mise à la terre appropriée.

AVIS DE SÉCURITÉ IMPORTANT :

l'incinération de combustible gazeux de cuisson peut générer des sous-produits qui figurent sur la liste des substances reconnues par l'État de Californie comme étant cancérigènes ou nuisibles à la reproduction. Pour minimiser l'exposition à ces substances, toujours faire fonctionner cet appareil conformément aux instructions contenues dans cette brochure et assurer une bonne ventilation.

Avertissement issu de la proposition 65 :

Ce produit pourrait contenir un produit chimique reconnu par l'État de la Californie comme cancérigène ou ayant des effets nocifs sur la reproduction. Par conséquent, l'emballage de votre produit pourrait porter l'étiquette suivante, comme requis par la Californie :

AVERTISSEMENT ISSU DE LA PROPOSITION 65 DE L'ÉTAT DE LA CALIFORNIE :



AVERTISSEMENT

Cancer et dommages à la reproduction

www.P65Warnings.ca.gov

Installation au gaz propane

La bouteille de gaz propane doit comporter son propre régulateur haute pression. De plus, le régulateur fourni avec cet appareil doit également être utilisé.

L'appareil est expédié depuis l'usine pour être utilisé avec du gaz naturel. S'il doit être utilisé avec du gaz propane, il doit être converti. Un technicien ou installateur qualifié devra se charger de la conversion.

Si l'appareil doit être utilisé avec du gaz propane, il doit être converti conformément aux instructions pour la conversion au gaz propane.

Pour les installations dans l'État du Massachusetts

- L'installation doivent être effectuée par un entrepreneur qualifié ou titulaire d'une licence, un plombier ou un monteur d'installation au gaz qualifié ou titulaire d'une licence octroyée par l'État, la province ou la région où cet appareil est installé.
- Le robinet d'arrêt doit être un robinet de gaz muni d'une poignée en « T ».
- La longueur du raccord flexible de gaz ne doit pas dépasser 36 pouces.

Installateur - montrez au propriétaire où se trouve le robinet d'arrêt de gaz.



CONSIGNES DE SÉCURITÉ IMPORTANTES

LIRE ET CONSERVER CES INSTRUCTIONS

Équipement de sécurité

Utilisez uniquement l'appareil électroménager s'il a été installé par un technicien qualifié conformément aux présentes instructions d'installation. Le fabricant ne peut pas être tenu responsable de tous dommages causés par une installation inadéquate.

Enlever le ruban adhésif et l'emballage avant d'utiliser l'appareil. Détruire l'emballage après avoir déballé l'appareil. Ne jamais laisser les enfants jouer avec les matériaux de conditionnement.

Ne jamais modifier ni altérer la configuration de l'appareil. Par exemple, ne pas retirer les pieds de nivellement, les panneaux, les couvercles de câblage ou les fixations/vis antibasculement.

Pour éliminer le risque de brûlures ou d'incendie lorsque l'on allonge le bras au-dessus des éléments de surface chauds, éviter d'installer des placards au-dessus des éléments de surface. Si l'installation de placards est prévue, le risque peut être réduit en installant une hotte aspirante qui dépasse horizontalement d'au moins 5 po (127 mm) la base du placard.

Vérifiez que la profondeur des armoires situées au-dessus de la table de cuisson ne dépasse pas 13 po (330 mm).

Lors de l'installation de la table de cuisson sur un four simple, prendre bien soin de suivre les instructions des manuels d'installation du four et de la table de cuisson.

Recommandations sur la ventilation

Il est vivement recommandé d'installer une hotte aspirante au-dessus de cet appareil. La hotte aspirante doit être installée conformément aux instructions qui l'accompagnent.

ATTENTION

L'appareil ne devrait pas être installé avec un système de ventilation qui souffle l'air vers les brûleurs. Ce type de système de ventilation peut causer des problèmes d'allumage et de combustion avec l'appareil de cuisson au gaz et pourrait provoquer des blessures ou nuire au fonctionnement normal.

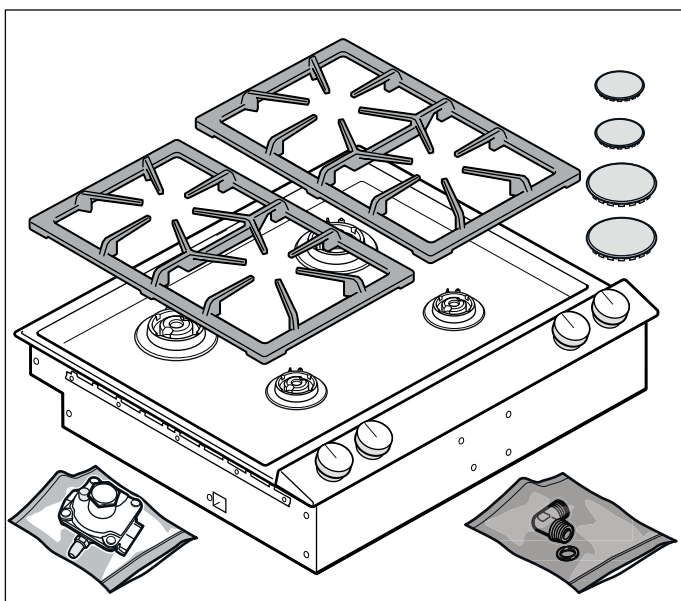
Avant de commencer

Outils et pièces nécessaires

- Tournevis à lame Philips
- Crayon
- Perceuse avec mèche 1/4" po (6 mm)
- Scie sauteuse
- Ruban à mesurer

Remarque : Des matériaux supplémentaires peuvent être nécessaires pour installer les plans de travail à surface solide. Contacter le fabricant du plan de travail.

Pièces comprises



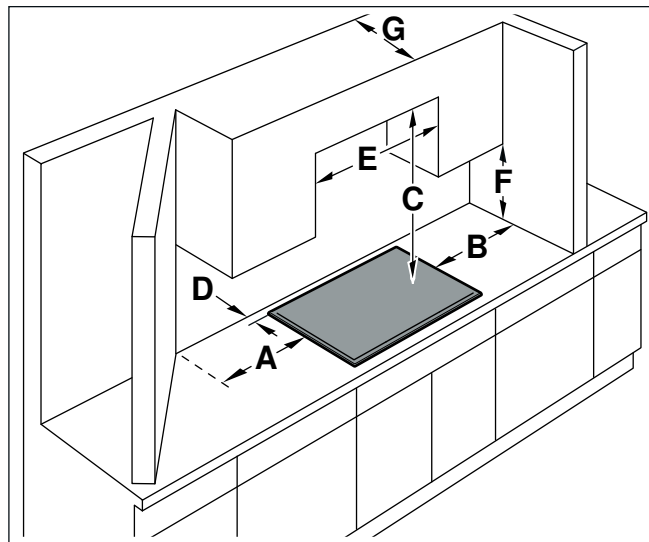
- Grilles de brûleur (2x)
- Chapeaux de brûleur (4x)
- Régulateur de pression
- Coude 1/2" U.S.A. et joint d'étanchéité en fibre

Accessoires d'installation

- VV 200 010 Baguette de jonction en acier inox, à combiner avec d'autres appareils Vario 200
- VV 200 020 Baguette de jonction noire à combiner avec d'autres appareils Vario 200

Utilisez l'accessoire seulement de la manière indiquée. Le fabricant n'est pas responsable de l'utilisation non conforme des accessoires.

Exigences pour les placards



Lors de l'installation de la table de cuisson à gaz, il faut respecter les distances minimales suivantes :

- A** minimum 12" (300 mm)
- B** minimum 12" (300 mm)
- C** minimum 30" (762 mm) d'espace entre le dessus de la surface de cuisson et le bas de constructions combustibles
- D** minimum 1 9/16" (40 mm)
- E** minimum 24" (600 mm)
- F** minimum 18" (460 mm)
- G** maximum 13" (330 mm)

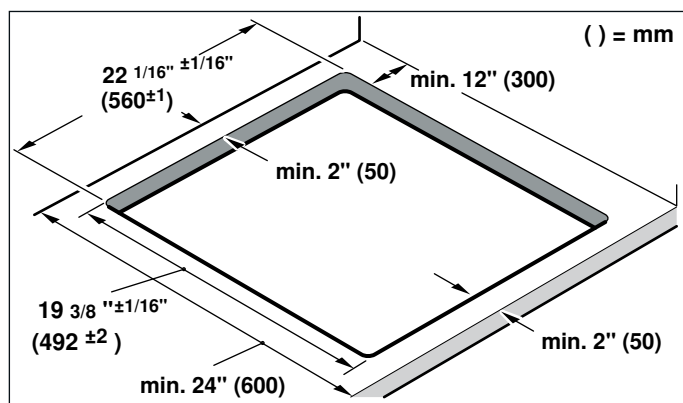
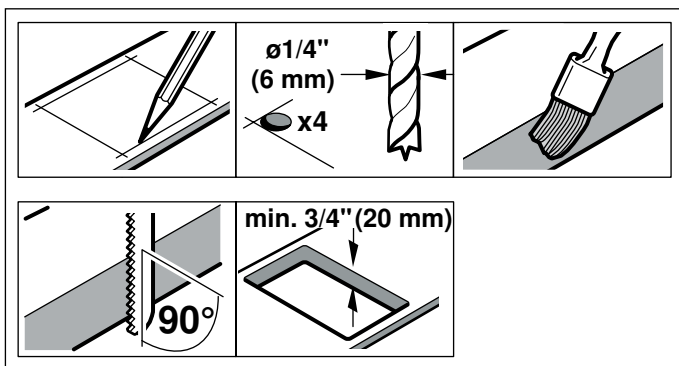
Le dégagement du haut de la table de cuisson au bas des armoires situées au-dessus peut être réduit à 26 po si les armoires en bois ou en métal sont protégées par une planche ignifuge d'une épaisseur d'au moins 1/4 po (6,35 mm) couvert par pas moins d'une tôle d'acier MSG n° 28, d'acier inoxydable de 0,015 po (0,4 mm) d'épaisseur, d'aluminium ou de cuivre de 0,024 po (0,6 mm) d'épaisseur.

Exigences pour le plan de travail

⚠ AVERTISSEMENT

Pour réduire le risque d'inflammation des matériaux combustibles adjacents, l'installation doit laisser un dégagement d'au moins 12 po (300 mm) entre la table de cuisson et les murs latéraux et d'au moins 2 po (51 mm) entre la table de cuisson et le mur arrière.

Le plan de travail doit être de niveau et horizontal. Le plan de travail doit rester stable après la découpe.



Caractéristiques techniques

Puissance électrique raccordée totale	10 W
Puissance totale raccordée, gaz (gaz naturel)	33 000 BTU/h (9,8 kW)
Puissance totale raccordée, gaz (gaz propane)	33 000 BTU/h (9,8 kW)

Procédure d'installation

Préparation des meubles

Le meuble où la table de cuisson est encastrée doit résister à la chaleur jusqu'à une température de 200° F (90°C). La stabilité du meuble doit rester garantie après les opérations de découpe.

Réaliser la découpe pour ou plusieurs appareils Vario dans le plan de travail, selon le schéma de pose. L'angle du chant de coupe doit être de 90° par rapport au plan de travail.

Après les opérations de découpe, éliminer les copeaux. Sceller les chants de coupe avec un produit assurant leur résistance à la chaleur.

Certains plans de travail à haute résistance requièrent des aménagements spéciaux. Par exemple, une bande thermoréfléchissante et des coins arrondis peuvent être nécessaires. Contacter le fabricant du plan de travail pour obtenir des précisions.

Respecter entre le dessous de l'appareil et les meubles voisins une distance minimale de 3/8" (10 mm).

Afin d'améliorer la stabilité de la flamme, nous recommandons d'installer un faux plancher dans l'armoire d'encastrement, sous l'appareil.

Si plusieurs appareils Vario sont posés ensemble : tenir compte de la place nécessaire pour la baguette de jonction VV 200 entre les appareils. Les appareils peuvent également être installés dans des découpes séparées, en respectant une distance minimale de 1 9/16" (40 mm).

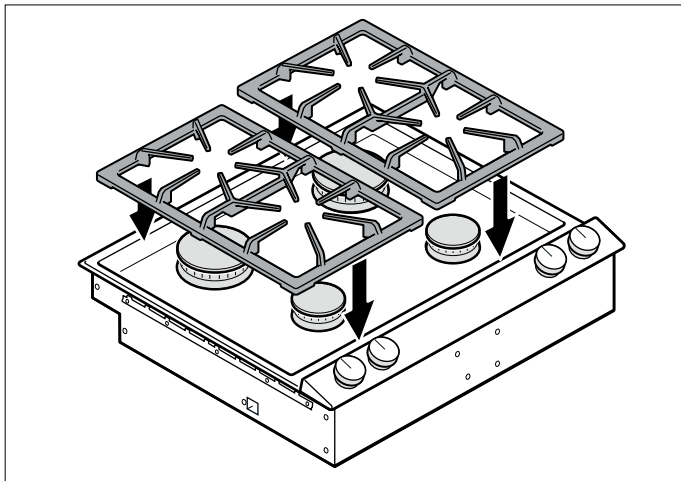
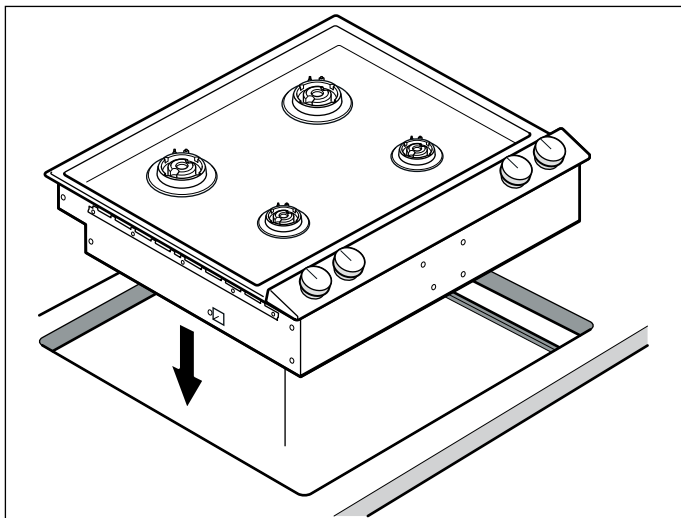
Pose de l'appareil

⚠ AVERTISSEMENT

Avant tout raccordement de cordon électrique ou toute mise sous tension, assurez-vous que toutes les commandes sont en position OFF (d'arrêt).

1. Fixez le couvercle VD 200 020 (disponible séparément en tant qu'accessoire en option) avant de fixer l'appareil (voir les directives de montage VD 200 020).
2. Installez l'appareil de manière symétrique dans la découpe. Enfoncez fermement depuis le haut dans la découpe.

Remarque : L'appareil doit être solidement fixé dans la découpe et ne doit pas bouger (p. ex., lors du nettoyage). Si la largeur de découpe est supérieure à la limite de tolérance acceptable, fixez des cales latérales dans la découpe.



Branchement du gaz

L'appareil est expédié depuis l'usine pour être utilisé avec du gaz naturel. S'il doit être utilisé avec du gaz propane, il doit être converti. Un technicien ou installateur qualifié devra se charger de la conversion.

Avant le branchement, assurez-vous que les conditions locales (type et pression de gaz) sont conformes aux réglages de l'appareil.

Avant le branchement, assurez-vous que l'arrivée du gaz est fermée sur le robinet d'arrêt.

Le branchement du gaz doit se trouver dans une pièce permettant un accès au robinet d'arrêt manuel et doit être visible après ouverture de la porte du meuble où il se trouve le cas échéant.

Le tuyau de gaz sécurisé ne doit pas être en contact avec des pièces mobiles du meuble d'encastrement (par ex. un tiroir) ni être posé dans des endroits où il risque d'être coincé ou endommagé.

Le tuyau de gaz sécurisé ne doit pas entrer en contact avec une table de cuisson, un lave-vaisselle, un four, un réfrigérateur, un lave-linge, des conduites d'eau chaude, une résistance de chauffe ni tout autre appareil installé à proximité de la table de cuisson au gaz.

Le tuyau de gaz sécurisé ne doit pas présenter des signes d'usure, des plis ou des déformations permanentes, ni être exposé à des vibrations. Il doit être contrôlé sur toute sa longueur tel qu'installé avec la table de cuisson.

INFORMATION POUR LE SERVICE APRES-VENTE

Raccorder l'alimentation du gaz au moyen du coude ½" U.S.A. et du joint d'étanchéité en fibre fournis avec l'appareil. Le filetage court non conique se visse dans l'écrou fileté. Le filetage conique long type U.S.A. est destiné à l'arrivée du gaz. Ventiler la conduite de gaz, rechercher les fuites.

⚠ ATTENTION

Le régulateur de pression est fourni avec l'appareil et est réglé pour le gaz naturel.

Brancher l'alimentation électrique

Avant de brancher le cordon d'alimentation à la prise de courant murale, s'assurer que le robinet d'arrêt du gaz et toutes les commandes des brûleurs sont en position fermée (OFF).

Le branchement électrique (CA 110-120 V) s'effectue au moyen d'un cordon d'alimentation doté d'une fiche à contact de terre venant se brancher dans une prise de courant à prise de terre, qui doit rester accessible même après l'installation de la table de cuisson à gaz.

Montage des chapeaux de brûleur

Pour que la table de cuisson fonctionne correctement, il faut s'assurer du positionnement correct des éléments des brûleurs. Si les éléments des brûleurs ne sont pas bien en place, un ou plusieurs des problèmes suivants peuvent se produire :

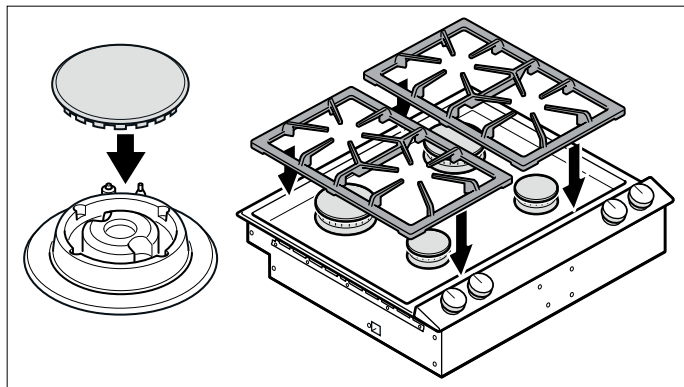
- Les flammes montent trop haut.
- Les flammes jaillissent des brûleurs.
- Les brûleurs ne s'allument pas.
- Les flammes sont irrégulières
- Une odeur de gaz sort d'un brûleur.

Mise en place des éléments de brûleurs

Une fois le branchement électrique fait, assembler correctement les éléments des brûleurs. Pendant l'assemblage, s'assurer que la tête de brûleur est montée sur le support de façon que les griffes des chapeaux s'adaptent bien dans la gorge de la base du brûleur.

Vérification du positionnement du chapeau de brûleur

S'assurer qu'il n'y a pas d'espace vide entre les éléments du brûleur. Vous pouvez essayer de faire bouger en douceur les éléments du brûleur d'un côté à l'autre pour vérifier qu'ils sont bien en place.



Vérification de l'installation

Vérifier le fonctionnement des allumeurs électriques. Observer les caractéristiques des flammes. Les flammes doivent être bleues sans pointes jaunes.

Flammes jaunes :

Il faut régler le brûleur.

Pointes jaunes sur cônes extérieurs :

Normal pour le gaz GPL.

Flammes bleutées

Normal pour le gaz naturel.

Si la flamme est entièrement ou majoritairement jaune, vérifier que le régulateur est bien réglé pour le type de gaz utilisé. Refaire un essai après réglage.

Durant la phase d'allumage, des rayures jaunes sont normales. Faire fonctionner l'appareil pendant 4 à 5 minutes et réévaluer la qualité des flammes avant de modifier les réglages.

Dépose de l'appareil

Mettre l'appareil hors tension. Fermer le robinet d'arrêt du gaz. Faire sortir l'appareil en le poussant par le bas.

ATTENTION

Risque de détérioration ! Ne pas extraire l'appareil par le haut en faisant levier.

Changement de type de gaz

Seul un spécialiste agréé est habilité à adapter l'appareil à un autre type de gaz.

Avant la conversion, coupez l'alimentation électrique et l'admission de gaz.

La plaque de cuisson au gaz correspond aux catégories indiquées sur la plaque signalétique. Le changement d'injecteurs permet d'adapter l'appareil à chacun des gaz énumérés sur cette plaque. La trousse de conversion peut être obtenue auprès du service après-vente. Elle est incluse dans la livraison de certains modèles.

La conversion à un autre type de gaz s'effectue par :

- Échange des injecteurs principaux
- Réglage des robinets de gaz (vis Bypass)

Vous trouverez dans le tableau la combinaison adaptée pour chaque type de gaz.

Ne démontez jamais l'axe du robinet de gaz. En cas de dommage ou de changement de gaz exceptionnel, le robinet de gaz doit être complètement remplacé. Pour ce faire, communiquez avec le service après-vente.

ATTENTION

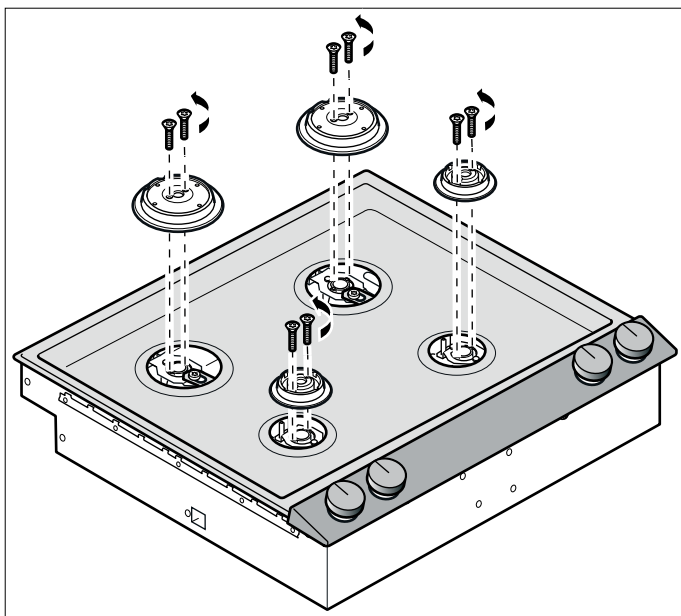
Adaptation du régulateur au gaz propane :

Marque Maxitrol, modèle RV 47 CL 1/2 PSIG

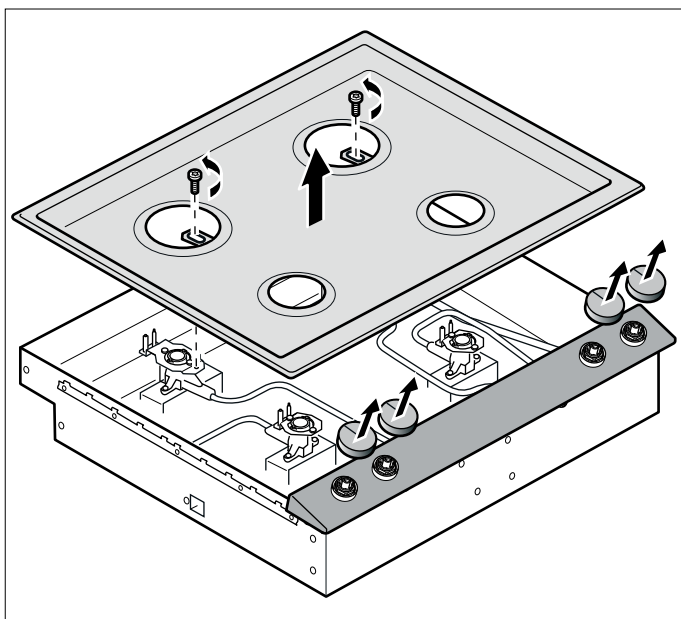
3. Enlever le couvercle en aluminium se trouvant sur le régulateur.
 4. Enlever la tige en plastique jaune du bouchon en la poussant sur le côté jusqu'à ce qu'elle saute de la gorge qui se trouve dans le couvercle.
 5. Retourner la tige et la remettre à l'intérieur de la découpe du couvercle
 6. Remettre le couvercle sur le régulateur.
-

Échange des injecteurs principaux :

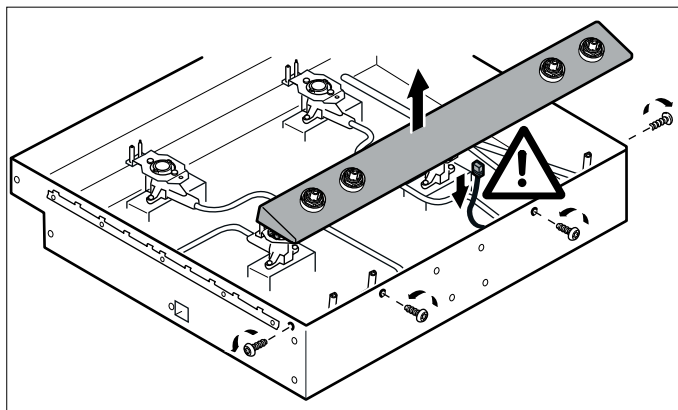
1. Enlevez les supports/grilles de casserole et toutes les pièces des brûleurs.
2. Desserrez les vis de fixation sur les brûleurs (2 vis par brûleur). Retirez les brûleurs par le haut.



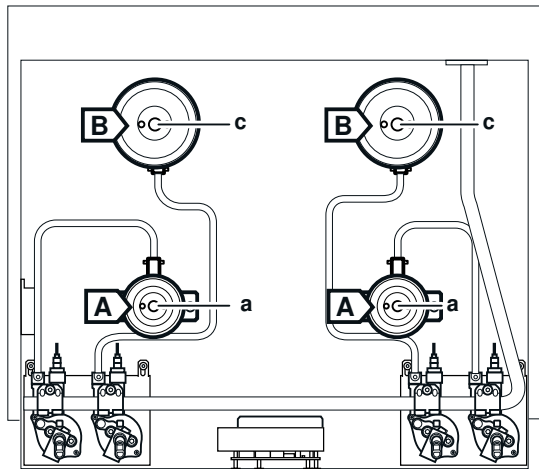
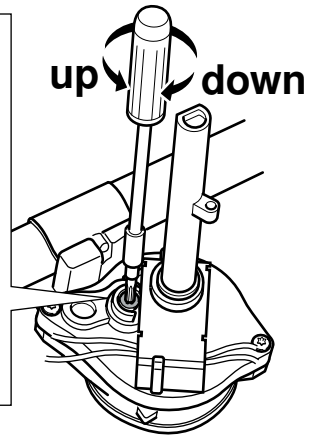
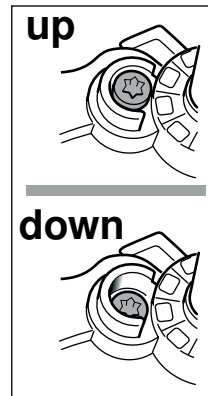
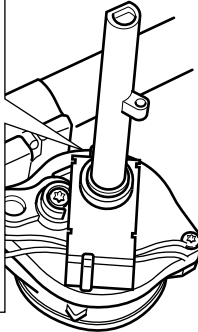
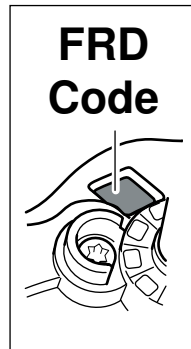
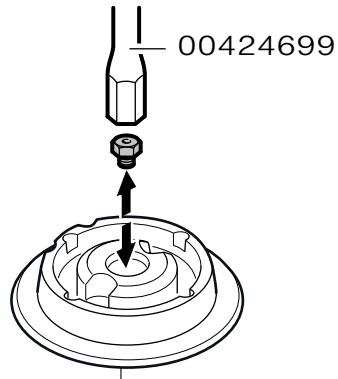
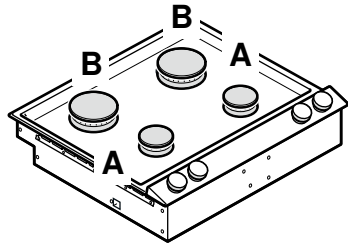
3. Desserrez la vis de mise à la terre sur les deux brûleurs arrière, puis enlevez prudemment la plaque par le haut.
4. Retirez les boutons de commande.



5. Desserrez les vis de fixation du panneau de commande. Retirez le panneau de commande et le câble de connexion de l'arrière du panneau de commande.



6. Remplacez les injecteurs. Le service après-vente offre une clé appropriée (référence 00424699). Veillez à ce que les injecteurs ne cassent pas lorsqu'ils vous les dévissez ou les vissez.
7. Tournez les injecteurs neufs jusqu'en butée, afin d'obtenir une bonne étanchéité.



A			FRD-Code	M	Qn	BTU/h
	NG A 6" WC	108	JH	up	1.9 kW	6,500
	Propane 10" WC	76	JH	down	1.9 kW	6,500

B			FRD-Code	M	Qn	BTU/h
	NG A 6" WC	137	JJ	up	3.0 kW	10,000
	Propane 10" WC	96	JJ	down	3.0 kW	10,000

Réglage des robinets de gaz

⚠ AVERTISSEMENT

Risque de dommages !

Ne serrez pas trop les vis Bypass.

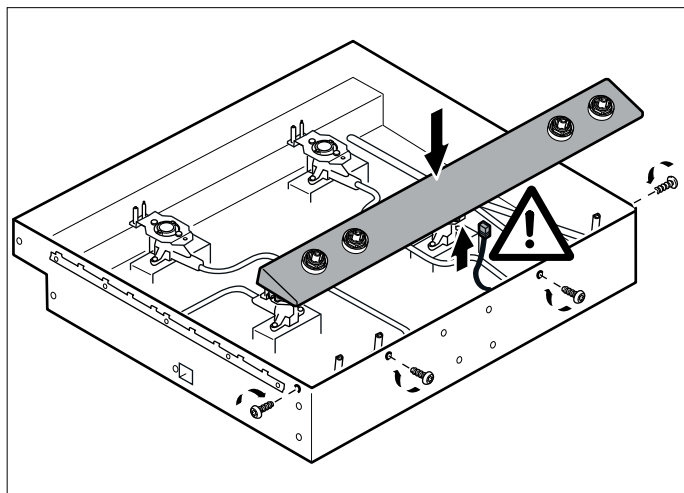
Si nécessaire, adaptez les vis Bypass **M** avec un tournevis Torx (voir tableau) :

up : les vis Bypass doivent affleurer avec le bord supérieur du support/grille.

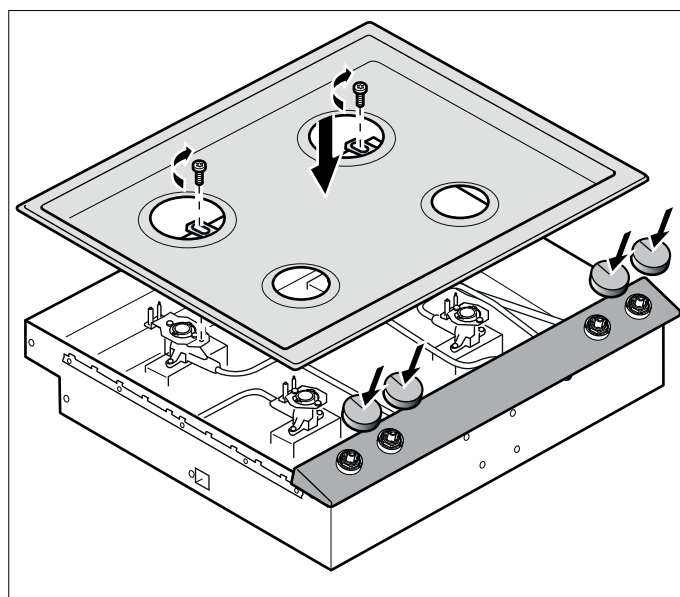
down : les vis Bypass doivent être entièrement vissées.

Assemblage :

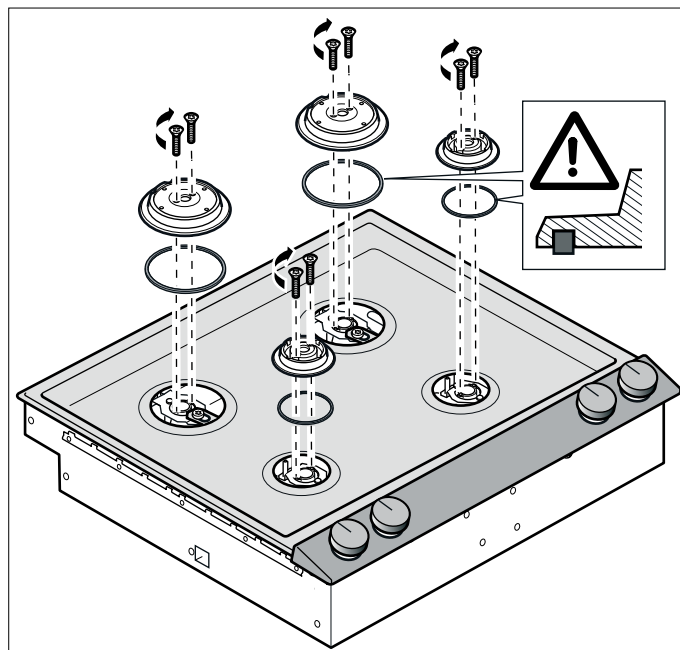
1. Raccordez le câble de connexion à l'arrière du panneau de commande. Posez le panneau de commande et vissez-le uniformément.



2. Réinsérez les boutons de commande.
3. Posez la plaque et vissez la vis de mise à la terre sur le brûleur arrière.



4. Posez et vissez le brûleur, vérifiez le bon positionnement du joint.



5. Remettez en place les pièces du brûleur et les supports/grilles de casserole, et veillez à bien les positionner.

Vérifier le fonctionnement après la modification :

Aucune pointe jaune ne doit être visible sur l'extrémité de la flamme. Assurez-vous que le brûleur ne s'éteint pas lorsque vous tournez rapidement le bouton de commande du niveau de puissance le plus élevé au plus faible, et qu'il n'y a aucun retour de flamme.

Remarque : Posez l'autocollant avec le type de gaz adapté à proximité de la plaque signalétique sur l'appareil.

Conserver les ports retirés de l'appareil électroménager pour un usage ultérieur.

Service après-vente

Si votre appareil doit être réparé, notre service après-vente est à votre disposition. Nous trouvons toujours une solution adaptée, y compris pour éviter les visites inutiles de techniciens.

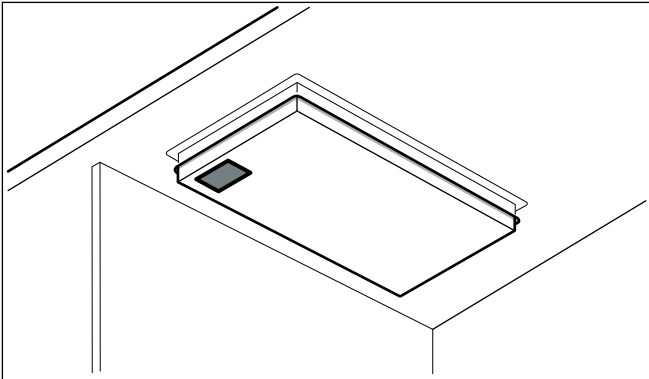
Lors de votre appel, indiquez le numéro du produit (n° E) et le numéro de série (n° FD) afin que nous puissions vous donner une réponse précise. La plaquette d'identification comportant ces numéros se trouve sur le dessous de l'appareil. Pour ne pas avoir à chercher longtemps en cas de besoin, vous pouvez inscrire ici les références de l'appareil et le numéro de téléphone du service après-vente.

N° E

N° FD

Service après-vente ☎

N'oubliez pas qu'en cas de fausse manœuvre, la visite d'un technicien d'après-vente n'est pas gratuite, même pendant la garantie.



Vous trouverez les données de contact pour tous les pays dans l'annuaire ci-joint du service après-vente.

Demande de réparation et conseils en cas de dysfonctionnement

CA 877 442 4436
toll-free

Índice

▲ Definiciones de seguridad	33
INSTRUCCIONES DE SEGURIDAD IMPORTANTES	34
Seguridad de manejo del electrodoméstico	36
Códigos y normas de seguridad	36
Seguridad eléctrica	37
Seguridad con el gas	37
Instalación de gas propano	38
Seguridad del equipo relacionado	39
Antes de empezar	40
Herramientas y piezas necesarias	40
Piezas incluidas	40
Accesorios para la instalación	40
Requisitos de gabinetes	40
Requisitos de la superficie de trabajo	41
Especificaciones técnicas	41
Procedimiento de instalación	41
Preparación de los muebles de montaje	41
Montaje del aparato	42
Conectar el suministro de gas	42
Conexión de la alimentación eléctrica	43
Colocación de la tapa del quemador	43
Pruebe la instalación	43
Desmontaje del aparato	44
Cambio a otro tipo de gas	44
Servicio de atención al cliente	48

El diagrama de cableado se encuentra en la última página de este manual de instalación.

Encontrará más información sobre productos, accesorios, piezas de repuesto y servicios en internet: www.gaggenau.com y también en la tienda online: www.gaggenau.com/zz/store

▲ Definiciones de seguridad

▲ ADVERTENCIA

Esto indica que pueden producirse heridas graves o incluso la muerte si no se cumple con esta advertencia.

▲ ATENCION

Esto indica que pueden producirse heridas leves o moderadas si no se cumple con esta advertencia.

AVISO

Esto indica que pueden producirse daños en el aparato o en los bienes si no se cumple con este aviso.

Nota: Esto alerta sobre información o sugerencias importantes.



INSTRUCCIONES DE SEGURIDAD IMPORTANTES

LEA Y CONSERVE ESTAS INSTRUCCIONES

⚠ ADVERTENCIA:

Si la información en estas instrucciones no se sigue con precisión, se puede producir un incendio o una explosión ocasionando daños a la propiedad, lesiones a las personas o incluso la muerte.

- No almacene ni use gasolina u otros vapores y líquidos inflamables en la proximidad de este aparato o cualquier otro.
- **QUÉ HACER SI DETECTA OLOR A GAS**
 - No trate de encender ningún aparato.
 - No toque ningún interruptor eléctrico.
 - No utilice ningún teléfono en su edificio.
 - Llame inmediatamente a su proveedor de gas desde un teléfono vecino. Siga las instrucciones del proveedor de gas.
 - Si no puede contactar a su proveedor de gas, comuníquese con el departamento de bomberos.
- La instalación y el servicio deben ser llevados a cabo por un instalador calificado, agencia de servicio o el proveedor de gas.



INSTRUCCIONES DE SEGURIDAD IMPORTANTES

LEA Y CONSERVE ESTAS INSTRUCCIONES

⚠ ADVERTENCIA:

No poner a funcionar nunca la sección superior de la superficie de cocción del aparato sin vigilancia.

- **El incumplimiento de esta advertencia podría dar lugar a incendios, explosiones o quemaduras que podrían causar daños materiales, personales e incluso la muerte.**
- **Si se produce un incendio, mantenerse alejado del aparato y llamar de inmediato al departamento de bomberos.**

NO INTENTAR EXTINGUIR CON AGUA UN INCENDIO PROVOCADO POR ACEITE O GRASA.



INSTRUCCIONES DE SEGURIDAD IMPORTANTES

LEA Y CONSERVE ESTAS INSTRUCCIONES

IMPORTANTE: LA INSTALACIÓN DEL APARATO DEBE SER REALIZADA POR UN INSTALADOR CUALIFICADO.

INSTALADOR: DEJE ESTAS INSTRUCCIONES CON EL ELECTRODOMÉSTICO CUANDO HAYA FINALIZADO LA INSTALACIÓN.

IMPORTANTE: CONSÉRVELAS PARA USO DEL INSPECTOR LOCAL.



ADVERTENCIA

Si no sigue la información de este manual exactamente, se puede ocasionar un incendio o una descarga eléctrica que puede causar daños materiales o lesiones personales.



ADVERTENCIA

No reparar, sustituir ni quitar ninguna pieza del electrodoméstico a menos que se recomiende de forma específica en los manuales. Una instalación, servicio o mantenimiento inadecuados pueden causar lesiones o daños materiales. Consultar este manual para recibir ayuda. Todos los demás servicios debe realizarlos un agente autorizado.

La garantía no cubre una instalación incorrecta.

Seguridad de manejo del electrodoméstico



Las superficies ocultas pueden tener bordes filosos. Proceda con cuidado al intentar tomar el electrodoméstico por la parte trasera o desde abajo.

Códigos y normas de seguridad

Este aparato cumple con una o varias de las siguientes normas:

- **UL 858, la norma de seguridad para electrodomésticos**
- **UL 923, la norma de seguridad para electrodomésticos de cocción con microondas**
- **UL 507, la norma de seguridad para ventiladores eléctricos**
- **ANSI Z21.1 / CSA 1.1, para electrodomésticos de cocción con gas**
- **CAN/CSA-C22.2 n.º 113-M1984, para ventiladores y ventilaciones**
- **CAN/CSA-C22.2 n.º 61-M89, electrodomésticos de cocción**

Es responsabilidad del propietario y del instalador determinar si se aplican otros requisitos o normas en instalaciones específicas.

La instalación debe realizarse cumpliendo las normas locales o, en ausencia de éstas, conforme al Código Nacional de Combustibles Gaseosos (ANSI Z223.1/NFPA 54) o, si se lleva a cabo en Canadá, al Código de Instalación de Gas Natural y Propano (CSA B149.1).



INSTRUCCIONES DE SEGURIDAD IMPORTANTES

LEA Y CONSERVE ESTAS INSTRUCCIONES

El electrodoméstico debe conectarse a tierra conforme a la normativa local o, en ausencia de esta, conforme a la Código Eléctrico Nacional (última versión de la NFPA 70) o, si se lleva a cabo en Canadá, al Código Eléctrico de Canadá (CSA C22.1-02).

Seguridad eléctrica



ADVERTENCIA

Antes de enchufar un cable eléctrico o activar el suministro eléctrico, asegurarse de que todos los controles están en la posición OFF.

Para los electrodomésticos equipados con cable y enchufe, no corte ni retire la espiga de conexión a tierra. Debe enchufarse en un receptáculo de conexión a tierra compatible para evitar descargas eléctricas. Si tiene alguna duda respecto de si el receptáculo de pared está correctamente conectado a tierra, el cliente debe solicitar la verificación de un electricista calificado.

No use un cable de extensión.

No use un adaptador.

Si el Código Nacional Eléctrico (o el Código Eléctrico Canadiense) así lo requiere, este electrodoméstico debe instalarse en un circuito derivado por separado.

El disyuntor debe tener una separación de contacto de, al menos, 3 mm en todos los polos.

Asegúrese de que el electrodoméstico sea correctamente instalado y conectado a tierra por un técnico calificado. La instalación, las conexiones eléctricas y la conexión a tierra deben cumplir con todos los códigos correspondientes.

Antes de realizar la instalación, apague la alimentación eléctrica en el panel de servicio. Trabe el panel de servicio para impedir que se encienda accidentalmente la alimentación eléctrica.

El instalador debe mostrar al propietario la ubicación del disyuntor o el fusible. Márquela para recordarla más fácilmente.

Seguridad con el gas

Instale una válvula de paso de gas cerca del electrodoméstico. Debe ser de fácil acceso en una emergencia.

La prueba de fuga debe ser realizada por el instalador según las instrucciones de este manual.

El electrodoméstico y su válvula de paso individual deben estar desconectados del sistema de tuberías de alimentación de gas durante cualquier prueba de presión a presiones que exceden ½ psi (3.5 kPa).

El electrodoméstico debe aislarse del sistema de tuberías de alimentación de gas cerrando su válvula de paso manual individual durante cualquier prueba de presión del sistema de tuberías de alimentación de gas, a presiones de prueba iguales o menores de ½ psi (3.5 kPa).



INSTRUCCIONES DE SEGURIDAD IMPORTANTES

LEA Y CONSERVE ESTAS INSTRUCCIONES

La presión de suministro mínima debe ser una columna de agua de 1 pulg. por encima de la presión de admisión impresa en la placa de datos.

La presión de suministro máxima no debe exceder una columna de agua de 14.0 pulg. (34.9 milibares).

Se debe usar una línea flexible de metal o una tubería de metal fija para conectar el gas al aparato. Si no se puede utilizar una línea de metal para el gas, se debe consultar a un electricista certificado local o los códigos eléctricos locales para realizar una conexión a tierra correcta.

ADVERTENCIA DE SEGURIDAD IMPORTANTE: La combustión de gas como combustible para cocinar genera algunos subproductos que se encuentran en la lista de sustancias que el estado de California sabe causan cáncer o daños reproductivos. Para minimizar la exposición a estas sustancias, siempre haga funcionar esta unidad según las instrucciones que contiene este manual y permita una buena ventilación.

Advertencia en virtud de la Proposición 65:

Este producto puede contener un químico que el Estado de California reconoce como potencialmente cancerígeno o causante de daños reproductivos. Por tanto, su producto debe llevar en su embalaje la siguiente etiqueta de conformidad con la legislación de California:

ADVERTENCIA EN VIRTUD DE LA PROPOSICIÓN 65 DEL ESTADO DE CALIFORNIA:

ADVERTENCIA

Cáncer y daño reproductivo - www.P65Warnings.ca.gov

Instalación de gas propano

El tanque de gas propano debe estar equipado con su propio regulador de alta presión. Además, también debe utilizarse el regulador que se suministra con esta unidad.

El electrodoméstico se envía desde la fábrica para uso con gas natural. Debe convertirse para uso con propano. Un técnico o instalador calificados deben realizar la conversión.

Para uso con propano, el electrodoméstico debe convertirse de acuerdo con las instrucciones de conversión de propano líquido.

Para instalaciones en Massachusetts:

- La instalación debe ser realizada por un contratista, plomero o instalador de gas calificados o con licencia otorgada por el estado, la provincia o la región donde se instale este electrodoméstico.
- La válvula de paso debe ser una llave de gas con mango en "T".
- El conector de gas flexible no debe tener una longitud superior a 36 pulgadas.

Instalador: muestre al propietario dónde está ubicada la válvula de paso de gas.



INSTRUCCIONES DE SEGURIDAD IMPORTANTES

LEA Y CONSERVE ESTAS INSTRUCCIONES

Seguridad del equipo relacionado

El electrodoméstico solamente deberá usarse si lo ha instalado un técnico calificado, de acuerdo con estas instrucciones de instalación. El fabricante no es responsable de ningún daño causado por una instalación incorrecta.

Retire toda la cinta y el embalaje antes de usar el electrodoméstico. Destruya el embalaje después de desembalar el electrodoméstico. Nunca deje que los niños jueguen con el material de embalaje.

Nunca modifique ni altere la construcción del electrodoméstico. Por ejemplo, no retire las patas niveladoras, paneles, cubiertas para cables ni soportes/tornillos antivuelco.

Para eliminar el riesgo de quemaduras o incendio al tocar unidades de la superficie calentadas, se debe evitar dejar espacio de almacenamiento en gabinetes sobre las unidades de la superficie. En el caso de que haya almacenamiento en gabinetes, se puede reducir el riesgo instalando una campana que se proyecte horizontalmente 5 pulgadas (127 mm) como mínimo de la parte inferior del gabinete.

Verifique que los gabinetes que se encuentran sobre la placa tengan 13 pulg. (330 mm) de profundidad como máximo.

Al instalar una placa sobre un horno individual, asegúrese de seguir las instrucciones de los Manuales de instalación del horno y de la placa.

Recomendaciones

Recomendamos categóricamente la instalación de una campana de ventilación arriba de este electrodoméstico. La campana debe instalarse según las instrucciones proporcionadas con la campana.



ATENCIÓN

El electrodoméstico no debe instalarse con un sistema de ventilación que disperse aire hacia abajo, en dirección a las hornillas. Este tipo de sistema de ventilación puede causar problemas de encendido y de combustión con el electrodoméstico para cocinar a gas, que pueden tener como consecuencia lesiones personales o una operación no intencional.

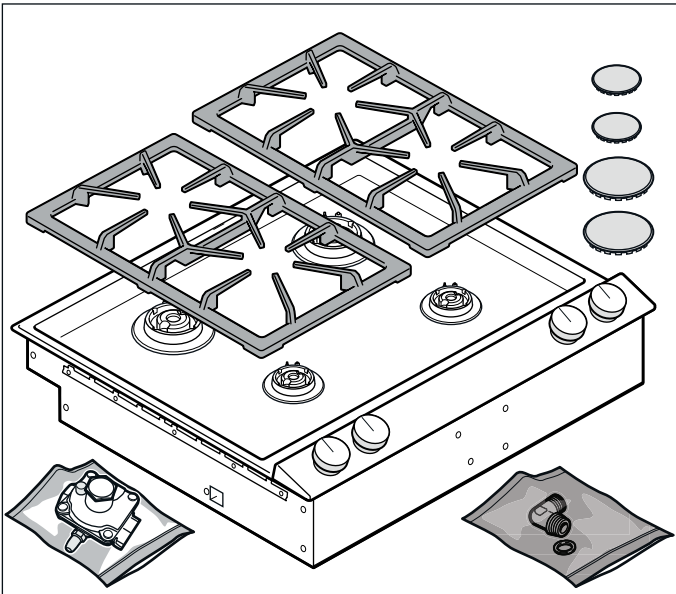
Antes de empezar

Herramientas y piezas necesarias

- Destornillador con cabeza Phillips
- Lápiz
- Taladro con broca de 1/4" (6 mm)
- Sierra caladora
- Cinta métrica

Nota: Es posible que se necesiten otros materiales para la instalación en superficies de trabajo sólidas. Comuníquese con el fabricante de la superficie de trabajo.

Piezas incluidas



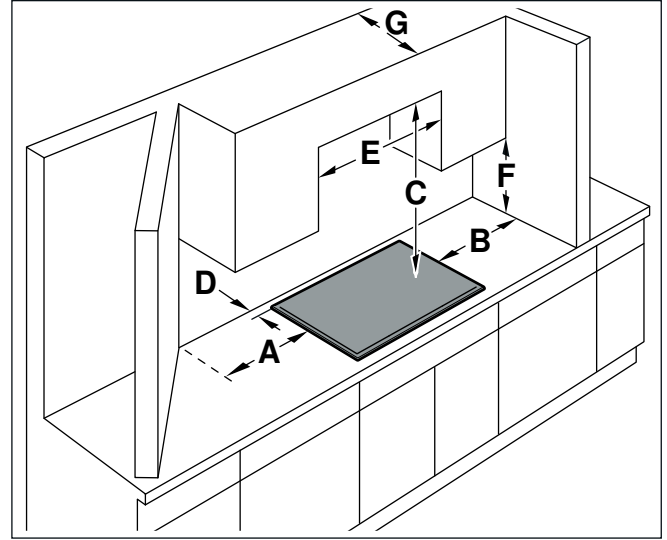
- Rejillas (2x)
- Tapas de los quemadores (4x)
- Regulador de presión
- Tubo acodado EE.UU. de 1/2 pulg. y junta de fibra

Accesorios para la instalación

- VV 200 010 Junta de unión de acero inoxidable, para combinación con más aparatos Vario 200
- VV 200 020 Junta de unión de color negro, para combinación con más aparatos Vario 200

Utilice el accesorio tal como se ha prescrito. El fabricante no se hace responsable por un uso incorrecto.

Requisitos de gabinetes



Los espacios mínimos que tienen que mantenerse cuando se instale la parrilla de gas son los siguientes:

- A** mínimo de 12" (300 mm)
- B** mínimo 12" (300 mm)
- C** mínimo 30" (762 mm) de espacio libre entre la parte superior de la superficie de cocción y el fondo de construcciones inflamables
- D** mínimo 1 9/16" (40 mm)
- E** mínimo 24" (600 mm)
- F** mínimo 18" (460 mm)
- G** máximo 13" (330 mm)

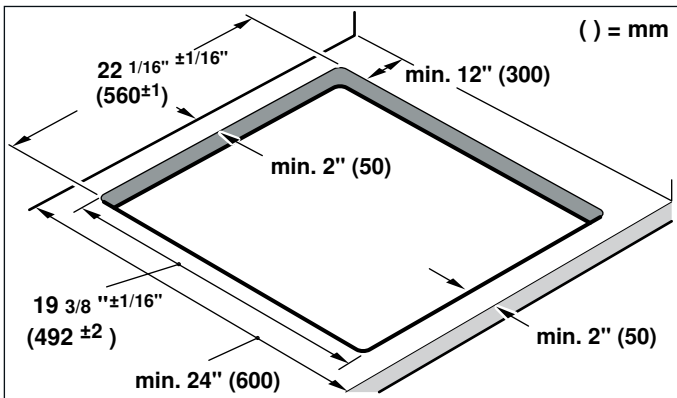
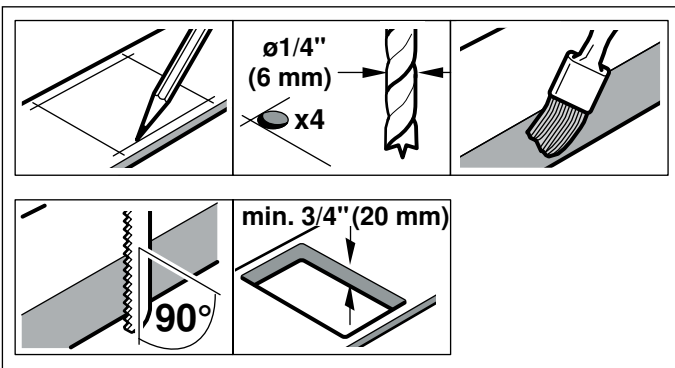
La distancia desde la parte superior de la placa hasta la parte inferior de los gabinetes que se encuentran arriba se puede reducir a 26" cuando la parte inferior del gabinete de madera o metal está protegida por un cartón ignífugo de 1/4" (6,35 mm) de grosor, cubierto por una lámina de acero MSG N.º 28, acero inoxidable de 0,015" (0,4 mm) de grosor, aluminio o cobre de 0,024" (0,6 mm) de grosor, como mínimo.

Requisitos de la superficie de trabajo

⚠ ADVERTENCIA

Para reducir el riesgo de ignición de materiales combustibles circundantes, instale la superficie de trabajo con una distancia de, al menos, 12" (300 mm) de ambas paredes laterales y 2" (51 mm) de la pared posterior.

La superficie de trabajo debe ser horizontal y estar nivelada. La estabilidad de la superficie de trabajo debe estar garantizada incluso después de haber realizado el hueco.



Especificaciones técnicas

Carga eléctrica total conectada:	10 W
Carga de gas total conectada (gas natural)	33,000 BTU/h (9.8 kW)
Carga de gas total conectada (gas propano)	33,000 BTU/h (9.8 kW)

Procedimiento de instalación

Preparación de los muebles de montaje

El mueble de empotrado tiene que resistir una temperatura de hasta 200° F (90° C). La estabilidad del mueble de empotrado tiene que quedar garantizada también después de los trabajos de corte para realizar un hueco.

Realizar el recorte para uno o varios aparatos Vario en la encimera según el croquis de montaje. El ángulo de la superficie de corte respecto a la encimera deberá ser de 90°.

Eliminar la viruta después de los trabajos de recorte. Sellar las superficies de corte termorresistentes.

Algunas encimeras sólidas requieren condiciones de instalación especiales. Por ejemplo, es posible que se debe utilizar cinta ignífuga y esquinas redondeadas. Póngase en contacto con el fabricante de su encimera para obtener instrucciones sobre la misma.

Respetar una distancia mínima de 3/8" (10 mm) entre la parte inferior del aparato y los muebles.

Para mejorar la estabilidad de la flama se recomienda instalar un panel separador en el gabinete empotrado debajo del aparato.

En caso de instalar varios aparatos Vario: tener en cuenta el espacio necesario para la regleta de conexión VV 200 entre los aparatos. Los aparatos también se pueden montar en recortes independientes respetando las distancias mínimas de 1 9/16" (40 mm) entre aparatos.

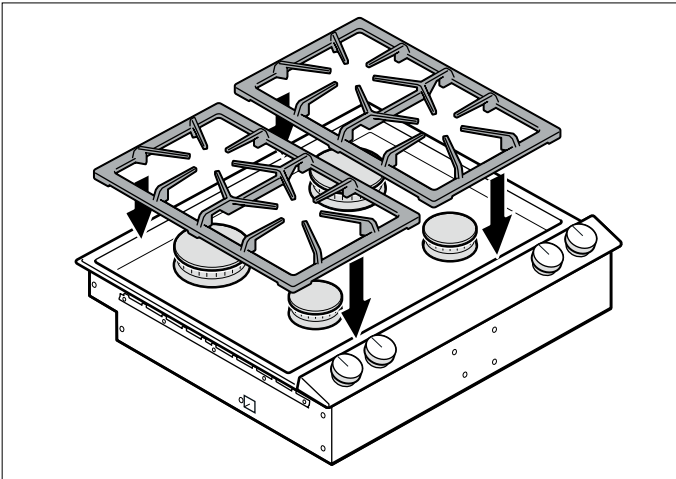
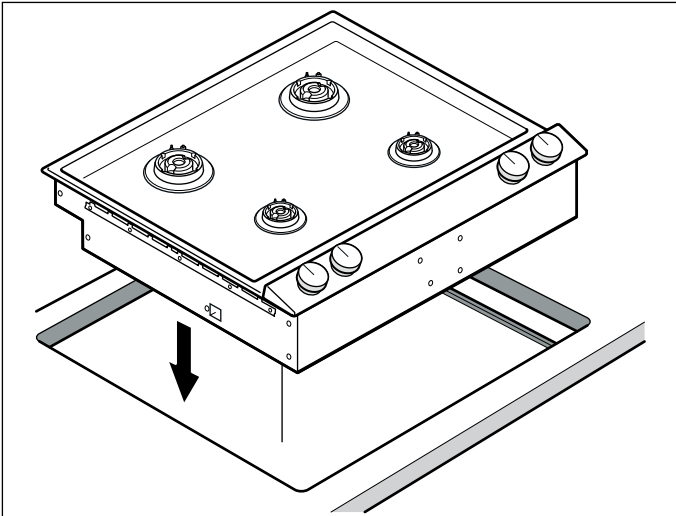
Montaje del aparato

⚠ ADVERTENCIA

Antes de enchufar un cable eléctrico o activar el suministro eléctrico, asegurarse de que todos los controles están en la posición OFF.

1. Fijar la tapa del aparato VD 200 020 antes de la instalación (disponible por separado como accesorio especial) (consultar instrucciones de montaje VD 200 020).
2. Introducir el aparato alineado en el hueco. Presionarlo firmemente desde arriba en el hueco.

Nota: El aparato debe quedar bien asentado en el hueco y no debe desplazarse (p. ej., durante la limpieza). Para anchos superiores al límite de tolerancia, fijar, en caso necesario, tiras en los laterales del hueco.



Conectar el suministro de gas

El electrodoméstico se envía desde la fábrica para uso con gas natural. Debe convertirse para uso con propano. Un técnico o instalador calificados deben realizar la conversión.

Antes de conectar el equipo, compruebe si las condiciones de conexión del lugar tales como el tipo de gas y la presión de gas coinciden con la configuración del equipo.

Cerciórese de que el suministro de gas está desconectado en la válvula de cierre manual antes de proceder a la conexión del equipo.

La conexión de gas debe hallarse en una ubicación que permita el acceso a la válvula de cierre manual y que, en caso dado, sea visible tras la apertura de la puerta del armario.

La manguera de seguridad de gas no debe entrar en contacto con partes móviles del mueble donde está instalado el aparato (p. ej. un cajón) o colocarse en lugar donde pueda aplastarse o deteriorarse.

La manguera de seguridad de gas no debe entrar en contacto con la placa de cocción, un horno, un lavavajillas, un refrigerador, una lavadora, las tuberías del agua caliente, un radiador o cualquier otro aparato instalado en la vecindad de una parrilla de gas.

La manguera de seguridad de gas no debe estar expuesta a abrasiones, vibraciones, dobleces o deformaciones permanentes y debe comprobarse en toda su longitud, con la placa de cocción en la posición de montaje.

INFORMACIÓN SOLO PARA EL TÉCNICO DE SERVICIO

Conectar el suministro de gas utilizando un tubo acodado EE.UU. de 1/2" y la junta de fibra suministrada con la unidad. La rosca más corta, no cónica encaja en la tuerca roscada de la placa de cocción. La rosca más larga, cónica EE.UU. es para el suministro de gas de admisión. Airear la línea de gas, comprobar la presencia de fugas.

⚠ ATENCION

El regulador de presión de gas se suministra con la unidad y está configurado para gas natural.

Conexión de la alimentación eléctrica

Antes de conectar el cable de suministro a la toma de pared, asegúrese de que la válvula de cierre de gas y todos los controles de los quemadores se hallan en la posición OFF.

La conexión eléctrica (AC 110-120 V) se establece mediante un cable de conexión provisto de una clavija de toma de tierra conectada a una toma de tierra. Dicha toma de tierra debe permanecer accesible después de la instalación de la placa de cocción de gas.

Colocación de la tapa del quemador

Los elementos del quemador deben colocarse debidamente para garantizar un óptimo funcionamiento de la placa de cocción. Si los elementos del quemador no se colocan debidamente, es posible que surjan uno o varios problemas:

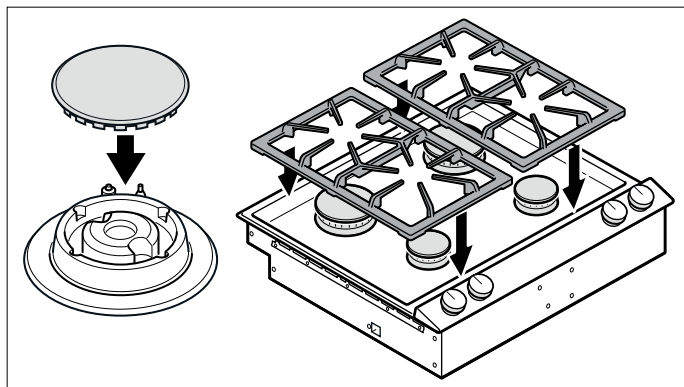
- Las llamas del quemador son muy grandes.
- Las llamas salen despedidas de los quemadores.
- No se lleva a cabo la ignición de los quemadores.
- Las llamas del quemador se encienden de manera irregular
- El quemador desprende olor a gas.

Colocación de los elementos del quemador

Una vez finalizada la conexión eléctrica, monte los elementos del quemador de manera correcta y uniforme. Al montar los elementos del quemador, asegúrese de que el cabezal del quemador quede colocado en la base de manera que los dientes de la tapa del quemador encajen fácilmente en las ranuras de la base del quemador.

Control de la colocación de la tapa del quemador

Realizar un control para asegurarse de que no hay huelgo entre los elementos del quemador. Mueva ligeramente los elementos del quemador de lado a lado para comprobar si han quedado bien montados.



Pruebe la instalación

Comprobar el funcionamiento de los encendedores eléctricos. Comprobar las características de la llama. La llama debe ser de color azul sin puntas de color amarillo.

Llamas de color amarillo:

Se requiere un ajuste adicional.

Puntas amarillas en los conos exteriores:

Normal para gas LPG.

Llamas de color azul suave:

Normal para gas natural.

Si la llama presenta un color amarillo total o mayoritario, comprobar que el regulador presente un ajuste correcto para el gas correspondiente. Una vez realizado el ajuste correspondiente, vuelva a realizar una prueba de funcionamiento.

La formación de ciertas franjas amarillas es normal durante la fase inicial de arranque. Deje que la unidad funcione 4 o 5 minutos y lleve a cabo a continuación una nueva evaluación antes de realizar los ajustes correspondientes.

Desmontaje del aparato

Desconecte el aparato de la corriente. Cierre la llave de cierre del gas. Extraiga el aparato presionando desde abajo.

ATENCION

¡Daños en el aparato! No intente extraer el aparato haciendo palanca desde arriba.

Cambio a otro tipo de gas

Solo personal especializado autorizado puede modificar el tipo de gas del aparato.

Antes de llevar a cabo la modificación, desconectar el suministro de gas y corriente.

Esta parrilla empotrable de gas se corresponde con las categorías indicadas en la placa de características. Con el cambio de las espreas es posible adaptar el aparato para que funcione con cualquiera de los tipos de gas allí indicados. El juego de reconversión se puede adquirir a través de nuestro Servicio de Atención al Cliente. En algunos modelos, el juego de reconversión viene incluido en el volumen de suministro.

Para cambiar a otro tipo de gas se procede como sigue:

- Sustitución de las espreas principales
- Ajustar las llaves del gas (tornillos de derivación)

En la tabla figura la combinación adecuada para cada tipo de gas.

No desmontar nunca el eje de la llave del gas. En caso de avería o de un cambio de gas extraordinario, cambiar la llave del gas completa. Para eso, ponerse en contacto con el servicio de atención al cliente.

ATENCION

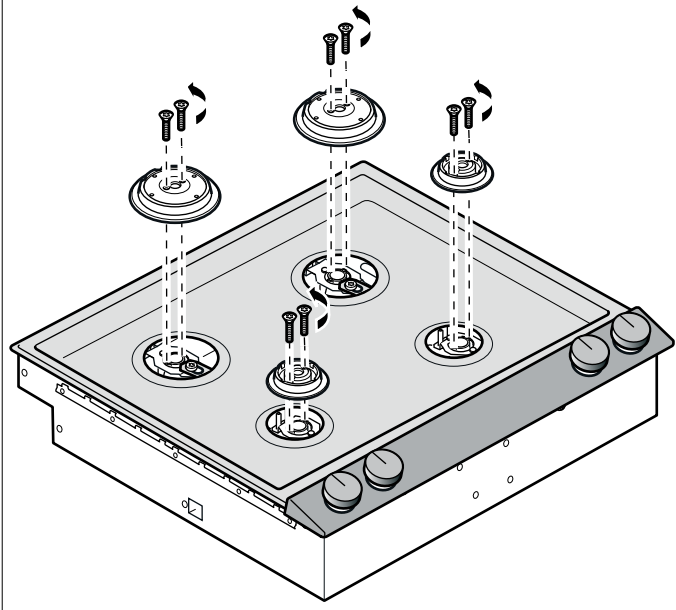
Para convertir el regulador a gas LP (propano):

Versión Maxitrol modelo RV 47 CL ½ PSIG

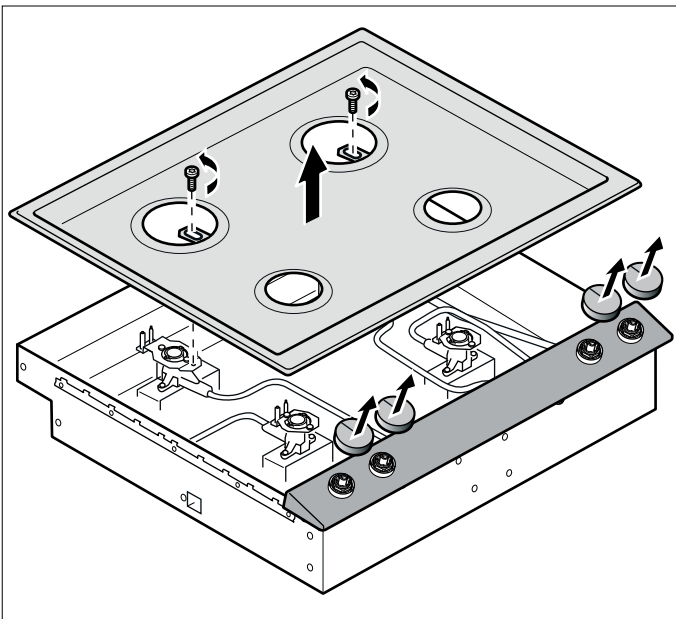
3. Retirar la tapa de aluminio de la parte de arriba del regulador.
 4. Retirar el eje de plástico amarillo de la tapa; para ello, presionarlo lateralmente hasta que salga de la ranura de la tapa.
 5. Dar la vuelta al eje y presionarlo hasta que quede colocado en la sección de la tapa.
 6. Sustituir la tapa del regulador.
-

Cambiar las espreas principales:

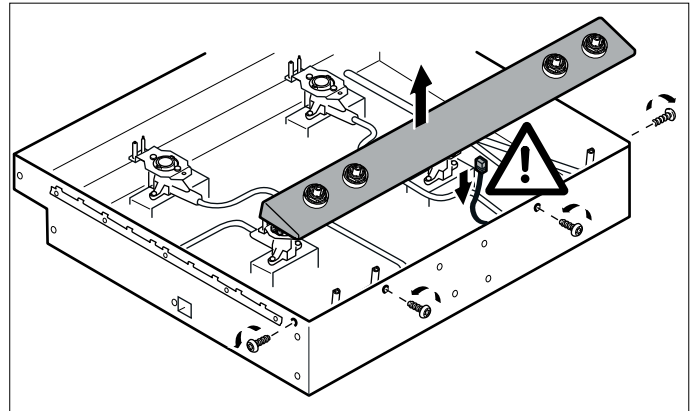
1. Retirar el soporte para ollas y todos los componentes del quemador.
2. Aflojar los tornillos de fijación de los quemadores (2 tornillos por quemador). Retirar los quemadores hacia arriba.



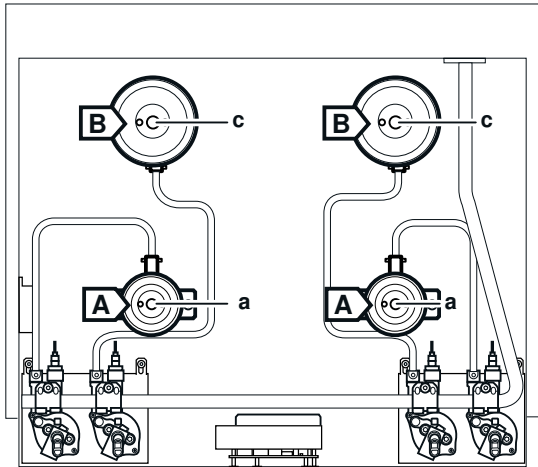
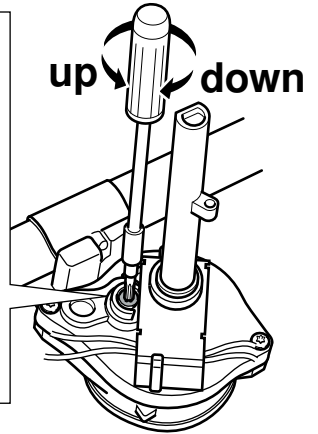
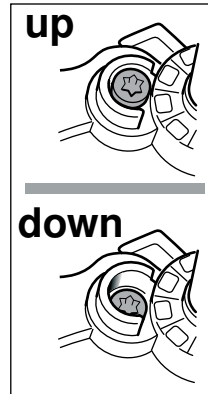
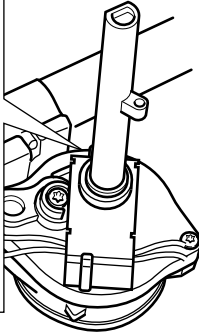
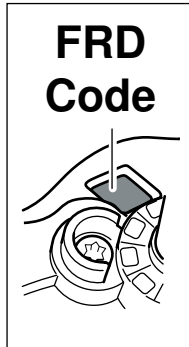
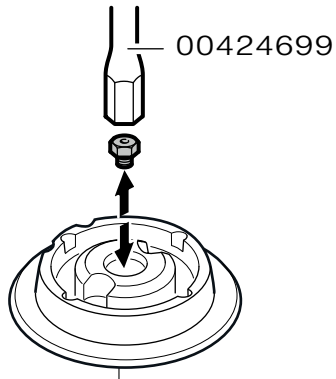
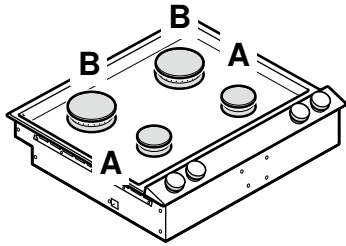
3. Aflojar los tornillos de los dos quemadores posteriores de toma de tierra y retirar la placa con cuidado hacia arriba.
4. Desmontar la perilla de control.



5. Aflojar los tornillos de fijación del panel de control. Retirar el panel de control y desenchufar el cable de conexión en la parte posterior del panel de control.



6. Cambiar las espreas. Hay disponible una llave adecuada en nuestro servicio de atención al cliente (número de pedido 00424699). Asegurarse de que las espreas no se rompan durante su extracción o inserción.
7. Enroscar los nuevos inyectores hasta el tope, para conseguir una buena estanqueidad.



A			FRD-Code	M	Qn	BTU/h
	NG A 6" WC	108	JH	up	1.9 kW	6,500
	Propane 10" WC	76	JH	down	1.9 kW	6,500

B			FRD-Code	M	Qn	BTU/h
	NG A 6" WC	137	JJ	up	3.0 kW	10,000
	Propane 10" WC	96	JJ	down	3.0 kW	10,000

Ajuste de las llaves del gas**⚠ ADVERTENCIA****¡Riesgo de daños!**

No apretar demasiado los tornillos de derivación.

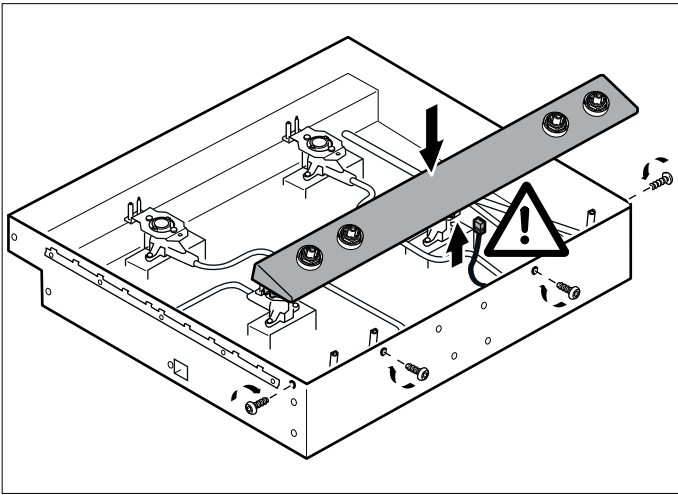
En caso necesario, ajustar los tornillos de derivación **M** con un destornillador Torx (ver la tabla):

up: los tornillos de derivación deben quedar al ras del borde superior de la base.

down: los tornillos de derivación deben enroscarse por completo.

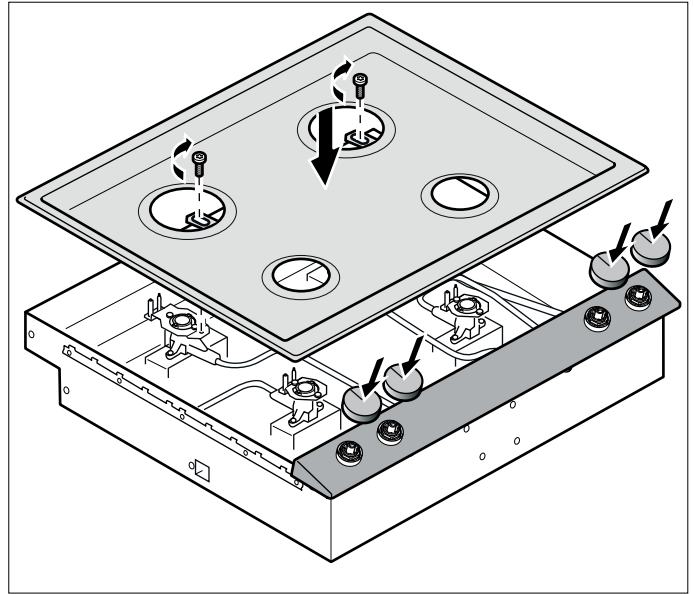
Montaje:

1. Conectar el cable de conexión en la parte posterior del panel de control. Colocar el panel de control y atornillar uniformemente.

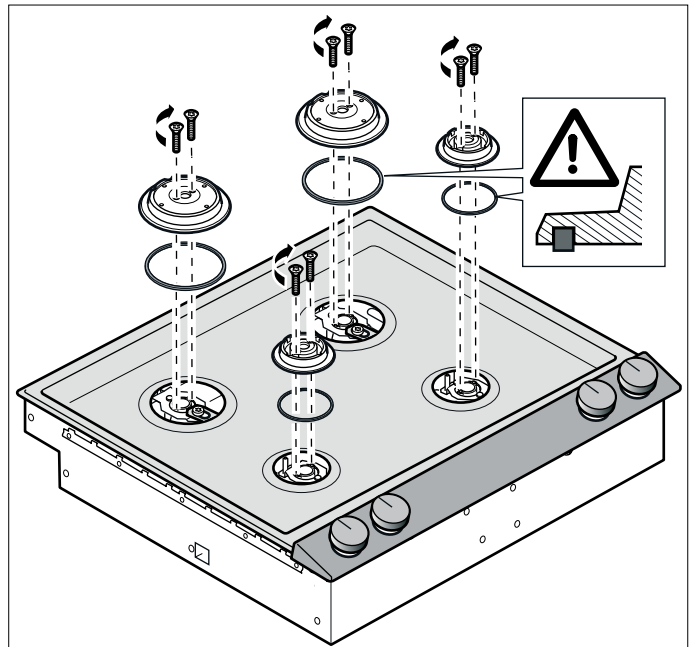


2. Colocar la perilla de control.

3. Colocar la placa y atornillar el tornillo de puesta a tierra en la parte posterior del quemador.



4. Colocar y atornillar los quemadores; asegurarse de que la junta esté bien asentada.



5. Colocar los componentes del quemador y el soporte para ollas en la posición correcta.

Después del cambio, comprobar el funcionamiento:

Las puntas de las llamas no deben ser amarillas. Al girar rápidamente la perilla de control entre el máximo y el mínimo nivel, el quemador no se puede apagar ni puede crear retroceso de llama.

Nota: Poner la etiqueta adhesiva con el tipo de gas elegido cerca de la placa de características del aparato.

Guarde los tapones de los orificios extraídos del aparato para uso futuro.

Servicio de atención al cliente

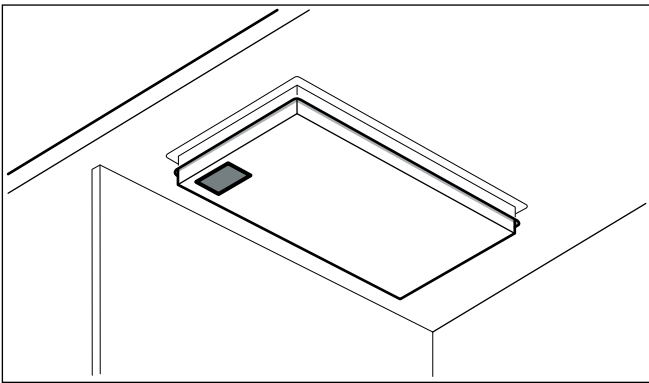
Si su aparato necesita una reparación, nuestro servicio de atención al cliente estará encantado de ayudarle. Siempre encontramos la solución adecuada, incluso para evitar visitas innecesarias de los técnicos.

Cuando llame por teléfono, indique la referencia del producto (Nº E) y el número de fabricación (Nº FD) para que podamos ofrecerle un servicio cualificado. La placa de identificación con los números correspondientes los encontrará en la parte inferior del aparato. Para evitar tener que buscar los datos de su aparato cuando los precise, es aconsejable anotarlos aquí conjuntamente con el número de teléfono del Servicio de atención al cliente.

Nº E.	Nº FD.
-------	--------

Servicio de atención al cliente ☎

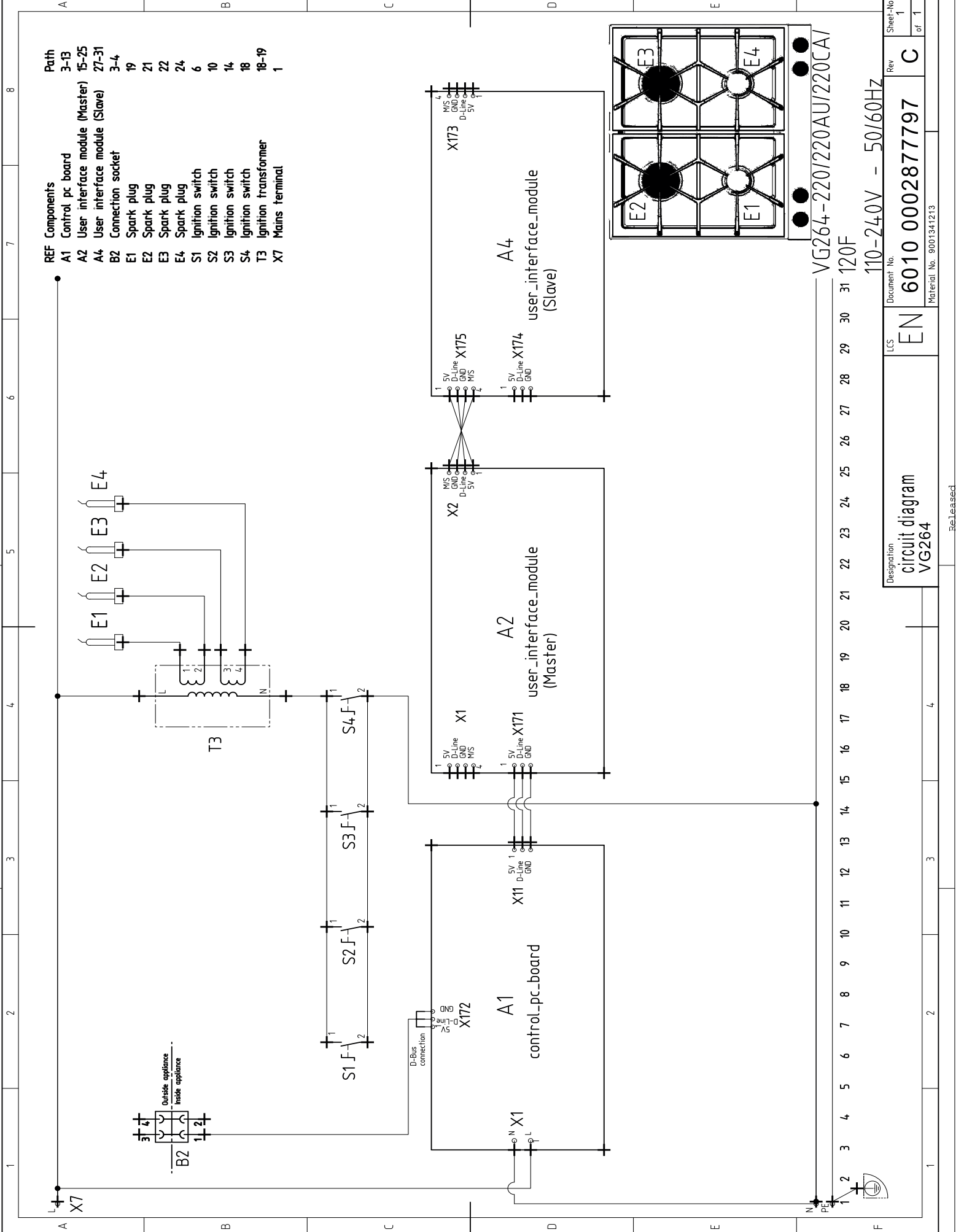
Tenga en cuenta que la visita del técnico del servicio de atención al cliente no es gratuito en caso de que el mal funcionamiento sea debido a un manejo incorrecto del aparato.



Las señas de las delegaciones internacionales figuran en la lista adjunta de centros y delegaciones del Servicio de Asistencia Técnica Oficial.

Solicitud de reparación y asesoramiento en caso de averías

US 877 442 4436
toll-free



REF	Components	Path
A1	Control pc board	3-13
A2	User interface module (Master)	15-25
A4	User interface module (Slave)	27-31
B2	Connection socket	3-4
E1	Spark plug	19
E2	Spark plug	21
E3	Spark plug	22
E4	Spark plug	24
S1	Ignition switch	6
S2	Ignition switch	10
S3	Ignition switch	14
S4	Ignition switch	18
T3	Ignition transformer	18-19
X7	Mains terminal	1

Designation	EN	Document No.	6010 0002877797	Rev	C	Sheet No.	1
							of 1

VG264-220/220AU/220CA/

31 120F

110-240V - 50/60Hz

1	2	3	4	5	6	7	8	9	10	11	12	13	14	15	16	17	18	19	20	21	22	23	24	25	26	27	28	29	30	31
---	---	---	---	---	---	---	---	---	----	----	----	----	----	----	----	----	----	----	----	----	----	----	----	----	----	----	----	----	----	----

The reproduction, transmission or use of this document or its contents is not permitted without express written authority. Offenders will be liable for damages. All rights including rights in patents and/or registrations of a utility model or design are reserved. Copyright reserved.

Intended changes opposing release specimen or specification offer must be advised in time and may only be introduced following written clearance. Deviating designs will be refused.

Gaggenau
BSH Home Appliance Corporation
1901 Main Street, Suite 600
Irvine, CA 92614
1-877-442-4436

www.gaggenau.com/us
© 2020 BSH Home Appliances

Gaggenau Hausgeräte GmbH
Carl-Wery-Straße 34
81739 München
GERMANY



9001396126 (000929)
en-us, es-mx, fr-ca

GAGGENAU