



5 SERIES ELECTRIC RANGETOPS

Viking 5 Series – VERT

COMMERCIAL-TYPE SURFACE POWER

- QuickCook™ Surface Elements utilize ribbon technology – elements reach full power in about three seconds
- Wide range of surface elements and wattages
- 30"W. Model:
 - Right front – 7" 1,800-watt element
 - Right rear – 7" 1,800-watt element
 - 800-watt "bridge" element between right front and right rear elements; excellent for use in conjunction with both right elements for griddling with optional accessory
 - Left front – 6 1/2" 1,500-watt element
 - Left rear (dual element) – 9" 3,000-watt element/6" 1,400-watt element
- 36"W. Model:
 - Right front – 6 1/2" 1,500-watt element
 - Right rear (dual element) – 9" 3,000/ 6" 1,400-watt element
 - 800-watt "bridge" element between center front and center rear elements; excellent for use in conjunction with both center elements for griddling with optional accessory
 - Left front (dual element) – 9" 3,000/6" 1,400-watt element
 - Left rear – 6 1/2" 1,500-watt element
 - Center front – 7" 1,800-watt element
 - Center rear – 7" 1,800-watt element
- High infrared transmission for fast surface cooking, regardless of type of cookware used
- SoftLit™ LED lights accent the control panel and illuminate knobs



VERT53014B



VERT53616B

MODEL NUMBERS

- VERT53014B – 30"W. Electric Rangetop; 4 burners
- VERT53616B – 36"W. Electric Rangetop; 6 burners

ACCESSORIES

- BG8530SS – 8"H. backguard for 30"W. electric rangetop
- BG8536SS – 8"H. backguard for 36"W. electric rangetop
- HS24530SS – Highshelf for 30"W. electric rangetop
- HS24536SS – Highshelf for 36"W. electric rangetop
- P24CSTSS – countertop side trim (2 pieces)
- P30CRTSS – countertop rear trim for 30"W. rangetop
- P36CRTSS – countertop rear trim for 36"W. rangetop

COLOR FINISHES

- Available in Stainless Steel (SS)



WARRANTY

- 2-year full – complete product
- 90-day full – cosmetic parts such as glass, painted items and decorative items
- 5-year limited – electric heating elements

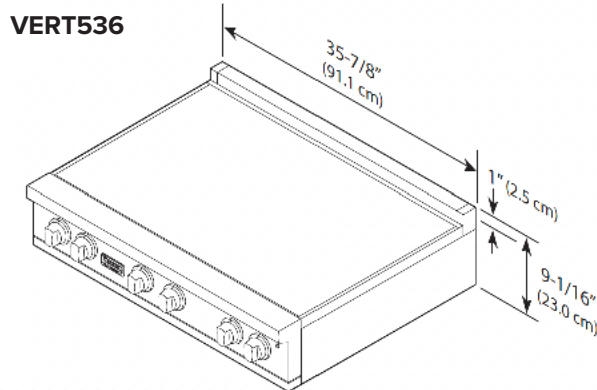
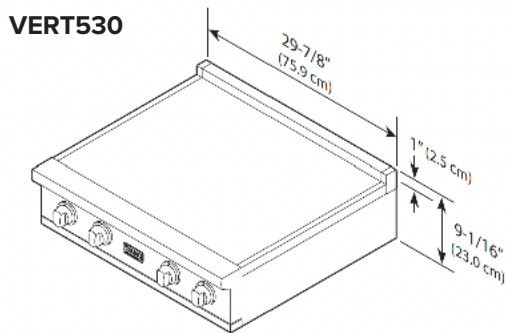


5 SERIES ELECTRIC RANGETOPS

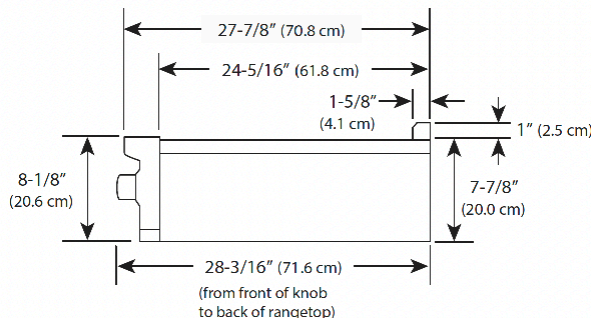
Viking 5 Series – VERT

ELECTRIC 30" AND 36" W. RANGETOPS																																										
DESCRIPTION	VERT53014B	VERT53616B																																								
Overall Width	29-7/8" (75.9 cm)	35-7/8" (90.6 cm)																																								
Overall Height (from bottom)	To top of coking surface – 8-1/8" (20.6 cm)																																									
Overall Depth (from rear)	To end of side panel – 24-5/16" (61.8 cm) To end of landing edge – 27-7/8" (70.8 cm) To end of knobs – 28-3/16" (71.6 cm)																																									
Cutout Dimensions	Cutout width—30" (91.4 cm) Cutout height—7-1/2" (19.1 cm) Cutout depth—24" (61.0 cm)	Cutout width—36" (121.9 cm) Cutout height—7-1/2" (19.1 cm) Cutout depth—24" (61.0 cm)																																								
Electrical Requirements	3-Wire 240-208V / 60Hz 40amp	3-Wire 240-208V / 60Hz 60amp																																								
Max. Amp Usage	240V - 34.6 A (8.3 kW) 208V - 29.8 A (6.2 kW)	240V - 49.2 A (11.8 kW) 208V - 42.6 A (8.9 kW)																																								
Surface Burner Rating Natural Gas/LP	<table border="0"> <tr><td>240V</td><td>208V</td></tr> <tr><td>N/A</td><td>N/A</td></tr> <tr><td>1500</td><td>1125</td></tr> <tr><td>3000 /1400</td><td>2250/1050</td></tr> <tr><td>N/A</td><td>N/A</td></tr> <tr><td>N/A</td><td>N/A</td></tr> <tr><td>800</td><td>600</td></tr> <tr><td>1800</td><td>1350</td></tr> <tr><td>N/A</td><td>N/A</td></tr> <tr><td>1800</td><td>1350</td></tr> </table>	240V	208V	N/A	N/A	1500	1125	3000 /1400	2250/1050	N/A	N/A	N/A	N/A	800	600	1800	1350	N/A	N/A	1800	1350	<table border="0"> <tr><td>240V</td><td>208V</td></tr> <tr><td>3000 /1400</td><td>2250/1050</td></tr> <tr><td>N/A</td><td>N/A</td></tr> <tr><td>N/A</td><td>N/A</td></tr> <tr><td>1500</td><td>1125</td></tr> <tr><td>1800</td><td>1350</td></tr> <tr><td>800</td><td>600</td></tr> <tr><td>1500</td><td>1125</td></tr> <tr><td>3000 /1400</td><td>2250/1050</td></tr> <tr><td>N/A</td><td>N/A</td></tr> </table>	240V	208V	3000 /1400	2250/1050	N/A	N/A	N/A	N/A	1500	1125	1800	1350	800	600	1500	1125	3000 /1400	2250/1050	N/A	N/A
240V	208V																																									
N/A	N/A																																									
1500	1125																																									
3000 /1400	2250/1050																																									
N/A	N/A																																									
N/A	N/A																																									
800	600																																									
1800	1350																																									
N/A	N/A																																									
1800	1350																																									
240V	208V																																									
3000 /1400	2250/1050																																									
N/A	N/A																																									
N/A	N/A																																									
1500	1125																																									
1800	1350																																									
800	600																																									
1500	1125																																									
3000 /1400	2250/1050																																									
N/A	N/A																																									
Approximate Shipping Weight	110 lbs. (49.5 kg) 165 lbs. (74.3 kg)	165 lbs. (74.3 kg)																																								

Please do not prepare installation from brochure data only. See installation instructions for important clearance/installation information.



SIDE VIEW



VIKING RANGE, LLC 111 FRONT STREET GREENWOOD, MISSISSIPPI 38930 USA

For detailed product information, model numbers, or to request a quote call 1-888-845-4641 or visit vikingrange.com

© 2023 Viking Range, LLC All rights reserved. Specifications subject to change without notice.