

Installation GUIDE



5 SERIES

Professional Built-In Electric
Single and Double Ovens

*VSOE130 / VSOE527 / VSOE530
VDOE130 / VDOE527 / VDOE530*



7 SERIES

Professional Built-In Electric Single
and Double French Door Ovens

VSOF7301 / VDOF7301

Table of Contents

Warnings & Important Safety Instructions _____	3
Dimensions-Professional Single _____	6
Specifications & Electrical Requirements-Professional Single _____	8
Cutout Dimensions-Professional Single Built-In _____	9
Cutout Dimensions-Professional Single Undercounter _____	10
Dimensions-Professional Double _____	11
Specifications & Electrical Requirements-Professional Double _____	13
Cutout Dimensions-Professional Double Built-In _____	14
Flush Mount Install 30" _____	16
General Information _____	20
Installation _____	21
Performance Checklist _____	29
Final Preparation _____	31
Service & Registration _____	31

IMPORTANT—Please Read and Follow!

- Before beginning, please read these instructions completely and carefully.
- **DO NOT** remove permanently affixed labels, warnings, or plates from product. This may void the warranty.
- **DO NOT install two or more wall ovens single or double side-by-side or stacked on top of the other.**
- All local and national codes and ordinances must be observed. Installation must conform with local codes.
- The installer must leave these instructions with the consumer who should retain for local inspector's use and for future reference.

In Massachusetts: This appliance must be installed by a Massachusetts licensed plumber or electrician.

In Canada: Installation must be in accordance with the current CSA C22.1 Canadian Electrical Codes Part 1 and/or local codes.

Your safety and the safety of others is very important.

We have provided many important safety messages in this manual and on your appliance. Always read and obey all safety messages.



This is the safety alert symbol. This symbol alerts you to hazards that can kill or hurt you and others.

All safety messages will be preceded by the safety alert symbol and the word "DANGER," "WARNING" or "CAUTION." These words mean:

DANGER

Hazards or unsafe practices which WILL result in severe personal injury or death

WARNING

Hazards or unsafe practices which COULD result in severe personal injury or death

CAUTION

Hazards or unsafe practices which COULD result in minor personal injury or property damage.

All safety messages will identify the hazard, tell you how to reduce the chance of injury, and tell you what can happen if the instructions are not followed.

IMPORTANT– Read and Follow!

A GFI shall be used if required by NFPA-70 (National Electric Code), federal/state/local laws, or local ordinances.

- The required use of a GFI is normally related to the location of a receptacle with respect to any significant sources of water or moisture.
- Viking Range, LLC will NOT warranty any problems resulting from GFI outlets which are not installed properly or do not meet the requirements below.

If the use of a GFI is required, it should be:

- Of the receptacle type (breaker type or portable type NOT recommended)
- Used with permanent wiring only (temporary or portable wiring NOT recommended)
- On a dedicated circuit (no other receptacles, switches or loads in the circuit)
- Connected to a standard breaker of appropriate size (GFI breaker of the same size NOT recommended)
- Rated for Class A (5 mA +/- 1 mA trip current) as per UL 943 standard
- In good condition and free from any loose-fitting gaskets (if applicable in outdoor situations)
- Protected from moisture (water, steam, high humidity) as much as reasonably possible

IMPORTANT– Read and Follow!

WARNING

To prevent possible damage to cabinets and cabinet finishes, use only materials and finishes that will not discolor or delaminate and will withstand temperatures up to 194°F (90°C). Heat resistant adhesive must be used if the product is to be installed in laminated cabinetry. Check with your builder or cabinet supplier to make sure that the materials meet these requirements.

WARNING

The use of cabinets for storage above the oven may result in potential fire or burn hazard.

WARNING

The misuse of the oven door(s) (e.g. stepping, sitting, or leaning on them) can result in hazards or injuries and damage to the product.

WARNING

This appliance should not be used for space heating. This information is based on safety considerations.

WARNING

This appliance is not intended for use by persons (including children) whose physical, sensory or mental capabilities are different or are reduced, or lack of experience or knowledge, unless such persons receive supervision or training for the operation of the appliance by a person responsible for their safety. Children should be monitored to ensure that they do not utilize devices as a toy

DANGER



ELECTRICAL SHOCK HAZARD

To avoid risk of electrical shock, personal injury or death; verify your appliance has been properly grounded in accordance with local codes or in absence of codes, with the National Electrical Code (NEC). ANSI/NFPA 70-latest edition.

WARNING



MOVING HAZARD

To avoid risk of severe personal injury; this appliance requires two or more personnel while handling and moving. Possible use of appliance moving devices is recommended.

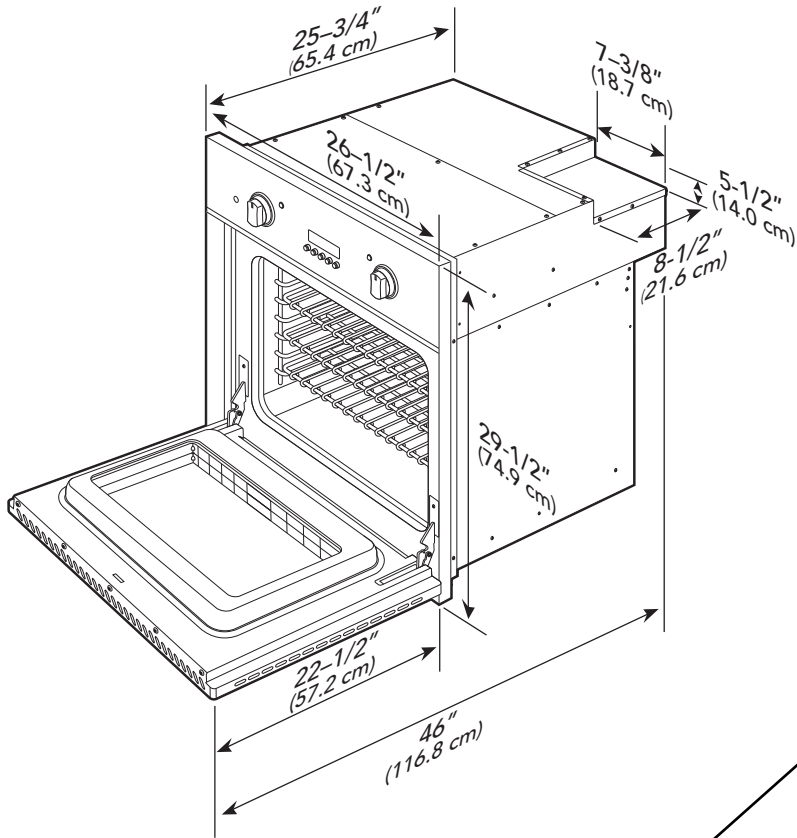
WARNING

DO NOT use the handle or oven door to lift the oven. Remove door before installation to ensure that it is not used to lift the unit. Make sure pins are inserted into hinges before removing door to prevent injury to hands and/or fingers.

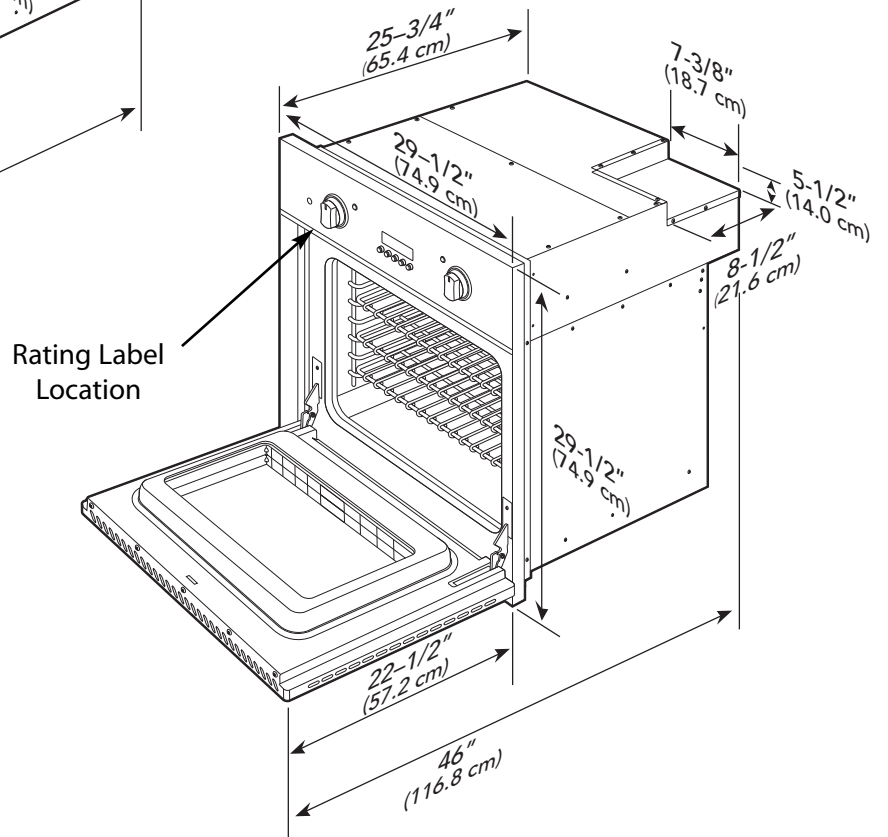
Single Oven Dimensions (Select / Premiere Models)

(For cutout dimensions refer to pages 9 and 10)

27" Wide



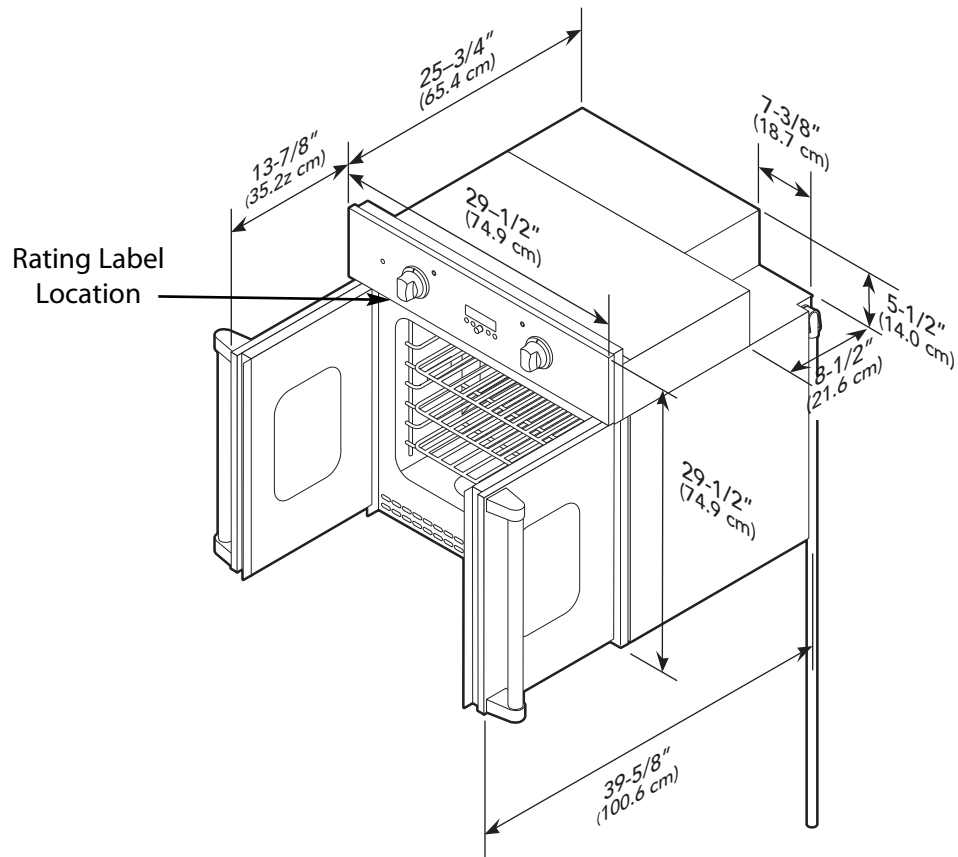
30" Wide



Single Oven Dimensions (French Door Model)

(For cutout dimensions refer to pages 9 and 10)

30" Wide French Door



Specifications & Electrical Requirements

Professional Single Oven		
Description	27" Wide	30" Wide
Overall Width	26-1/2" (67.3 cm)	29-1/2" (74.9 cm)
French Door - Full Door Swing Width	N/A	130° 50-5/8" (128.6 cm)
Overall Height	29-1/2" (74.9 cm)	
Overall Depth	to control panel—25-3/4" (65.4 cm) with door open (Select/Premiere Models)—46" (116.8 cm) with door open (French Door Models)—39-5/8" (100.6 cm)	
Cutout Width	Standard—25-1/2" (64.8 cm)	Standard—28-1/2" (72.4 cm) Flush Mount—29-15/16" (76.0 cm)*
Cutout Height	Standard—28-1/8" (71.4 cm) Flush Mount—30-5/16" (77.0 cm)*	
Cutout Depth	Standard—24" (60.9 cm) Flush Mount—25-3/4" (65.4 cm)*	
Electrical Requirements	4-wire ground, 240VAC, 60Hz, 30 amp electrical connection Unit equipped with No.10 ground wire in unit. Fuse separately.	
Maximum Amp Usage	24.0 amps—240 VAC, 60Hz 20.8 amps—208 VAC, 60Hz	
Oven Interior Width	22-5/16" (56.7 cm)	25-5/16" (64.3 cm)
Oven Interior Height	16-1/2" (41.9 cm)	
Oven Interior Depth	16-13/16" (42.7 cm)	
Oven Volume (measured to AHAM standard)**	3.6 cu. ft.	VSOE130 / VSOE530 4.1 cu. ft. VSOF7301 4.3 cu. ft.
Oven Volume (total oven cavity)	4.1 cu. ft.	4.7 cu. ft.
Approximate Shipping Weight	237 lbs. (108 kg)	261 lbs. (118 kg)

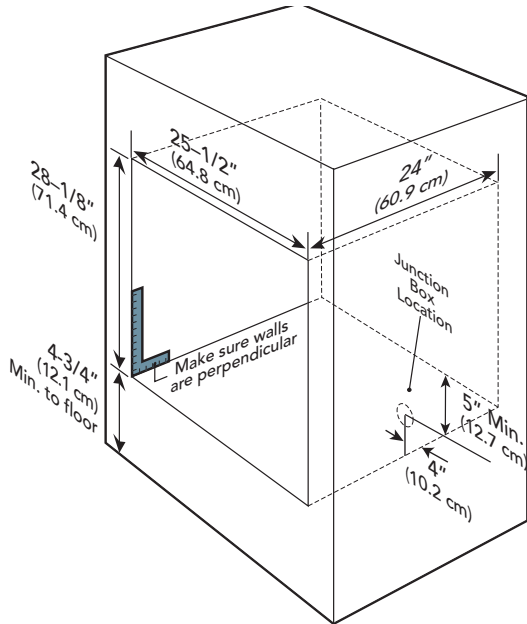
*Flush mount dimensions are for Select and Premiere 30" W. models only. French door models **cannot** be installed flush to cabinets

**The AHAM Standard for measuring oven capacity subtracts the door plug and convection baffle dimension from the total oven volume.

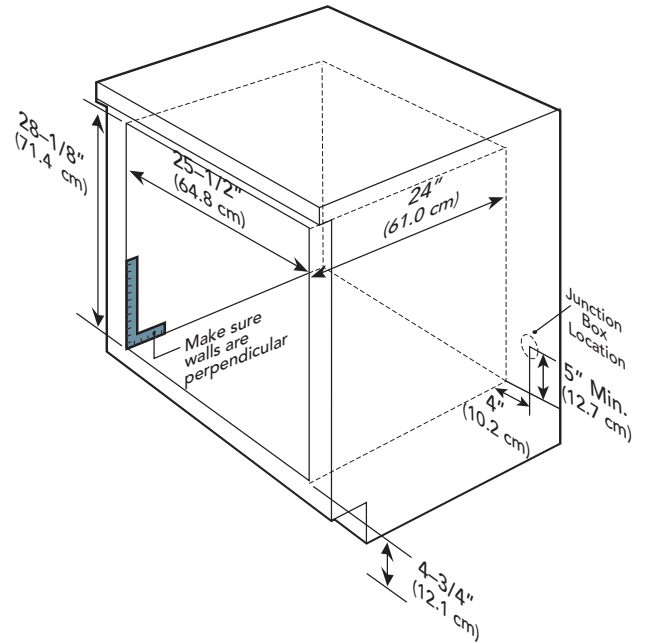
Cutout Dimensions–Single Oven

Note: A minimum of 2" (5.1 cm) spacing above and below the oven is required to adjacent appliances such as a microwave or warming drawer for ventilation purposes.

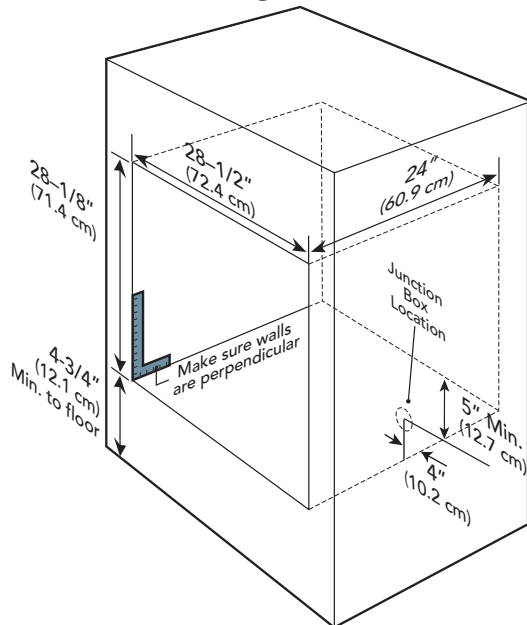
27" Wide Single Built-In



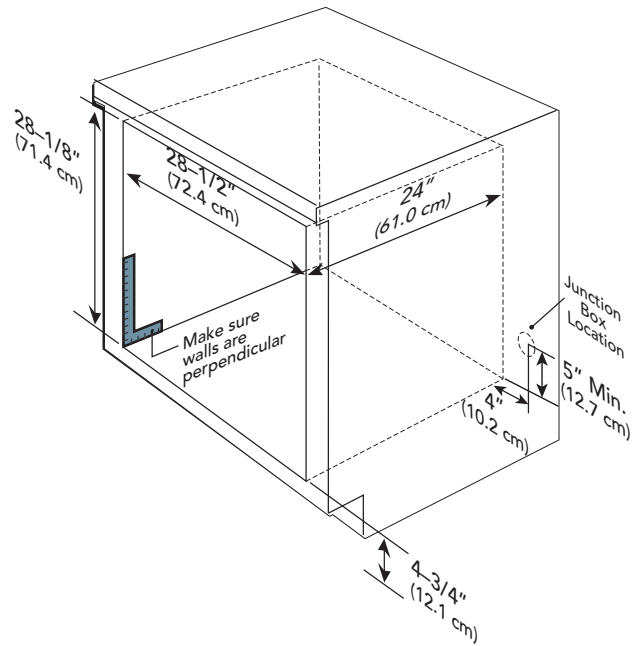
27" Wide Single Undercounter



30" Wide Single Built-In



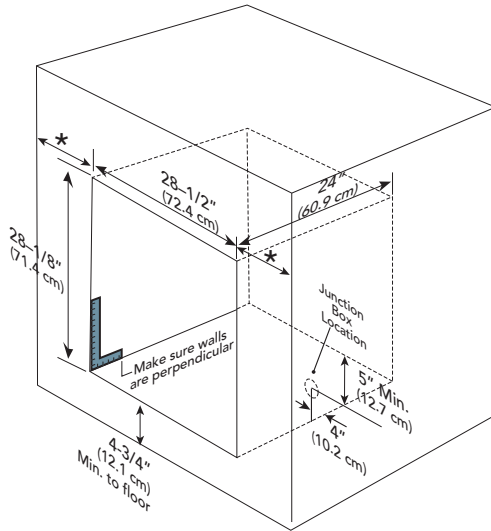
30" Wide Single Undercounter



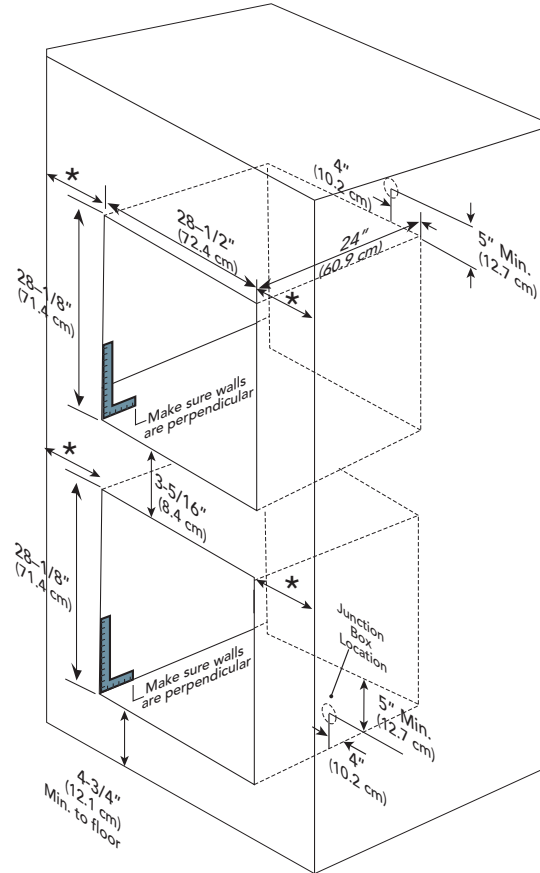
For 30" W. flush mount cutout dimensions, refer to pages 16-19.

Cutout Dimensions—Single Oven

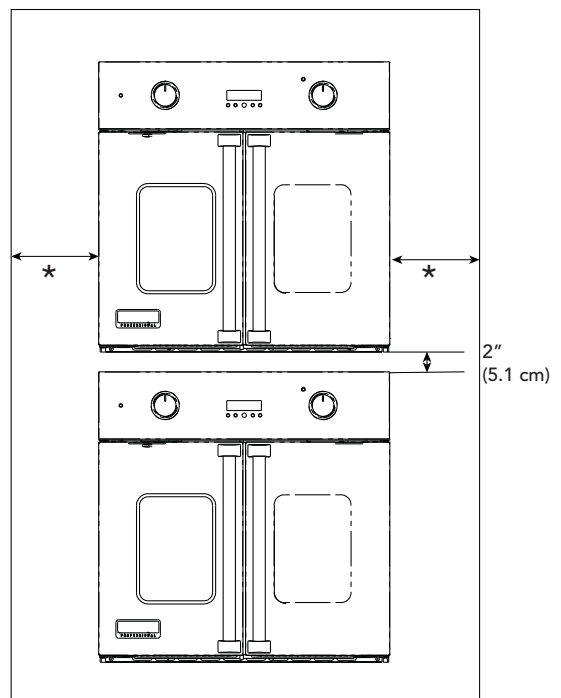
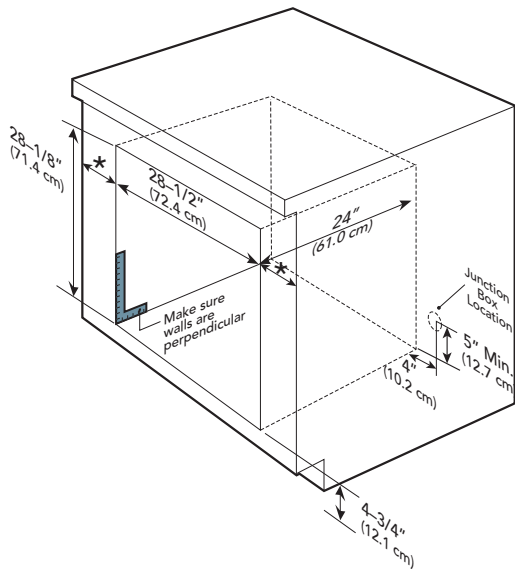
30" Wide Single French Door



30" Wide Single French Door - Double Installation



30" Wide Single French Door Undercounter

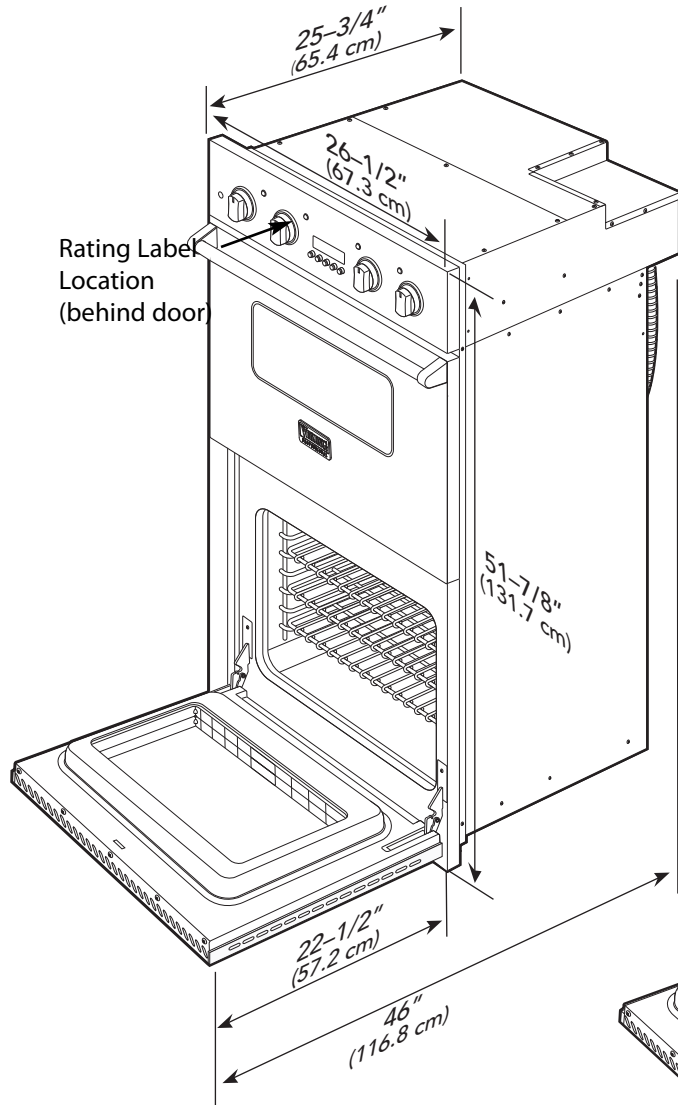


***French Door Models (VSO7301) must have a minimum of 18" (45.7 cm) clearance on both sides to allow for door swing**

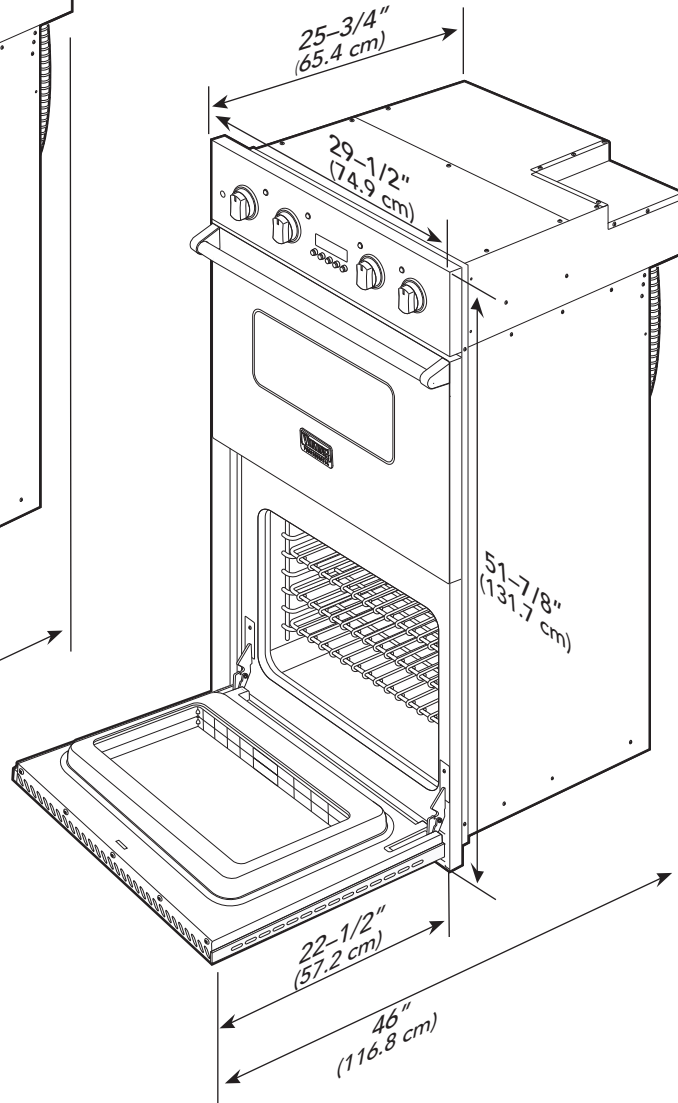
Double Oven Dimensions

(For cutout dimensions - refer to pages 14)

27" Wide



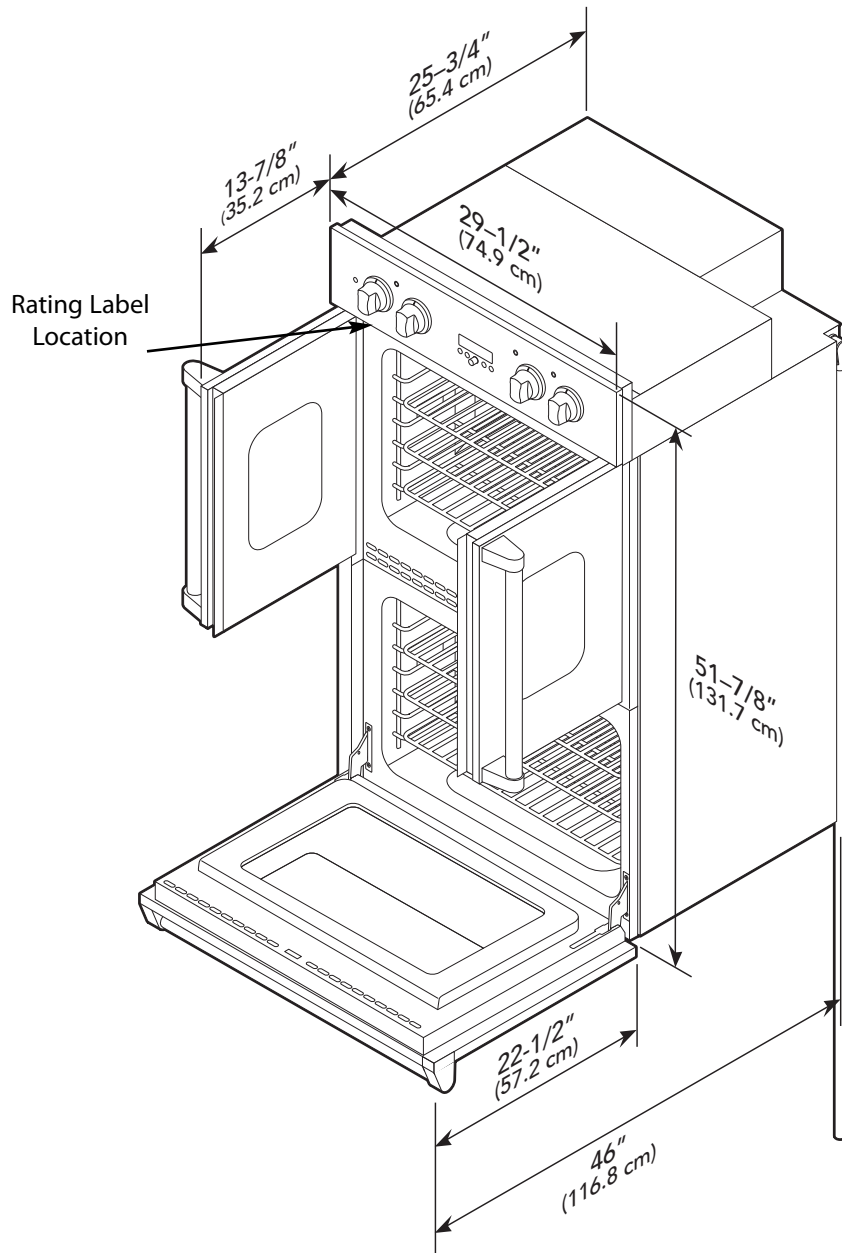
30" Wide



Double Oven Dimensions (French Door Models)

(For Cutout dimensions - refer to pages 15)

30" Wide French Door



Specifications & Electrical Requirements

Professional Double Oven		
Description	27" Wide	30" Wide
Overall Width	26-1/2" (67.3 cm)	29-1/2" (74.9 cm)
French Door - Full Door Swing Width	N/A	130° 50-5/8" (128.6 cm)
Overall Height	51-7/8" (131.7 cm)	
Overall Depth	to control panel—25-3/4" (65.4 cm) with door open (Select/Premiere models)—46" (116.8 cm) with door open (French Door model)—39-1/2" (100.3 cm)	
Cutout Width	Standard—25-1/2" (64.8 cm)	Standard—28-1/2" (72.4 cm) Flush Mount—29-15/16" (76.0 cm)*
Cutout Height	Standard—50-5/8" (128.6 cm) Flush Mount—52-13/16" (134.1 cm)*	
Cutout Depth	Standard—24" (60.9 cm) Flush Mount—25-3/4" (65.4 cm)*	
Electrical Requirements	4-wire ground, 240VAC, 60Hz, 50 amp electrical connection Unit is equipped with No.10 ground wire in conduit. Should be fused separately.	
Maximum Amp Usage	40.0 amps—240 VAC, 60Hz 34.7 amps—208 VAC, 60Hz	
Oven Interior Width—both ovens	22-5/16" (56.7 cm)	25-5/16" (64.3 cm)
Oven Interior Height—both ovens	16-1/2" (41.9 cm)	
Oven Interior Depth	<p>Upper Oven: 16-13/16" (42.7 cm) - AHAM 19-1/2" (49.5 cm) - Overall</p> <p>Lower Oven - VDOE127/VDOE130/VDOE130: 18-1/2" (46.9 cm) - AHAM 19-1/2" (49.5 cm) - Overall</p> <p>Lower Oven - VDOE527/VDOE530/VDOE530/VDOF7301 : 16-13/16" (42.7 cm) - AHAM 19-1/2" (49.5 cm) - Overall</p>	
Oven Volume (measured to AHAM standard)**	<p>Upper Oven: 3.6 cu. ft. Lower Oven: VDOE127: 4.0 cu. ft. VDOE527: 3.6 cu. ft.</p>	<p>Upper Oven: VDOE130)/VDOE530 4.1 cu. ft. VDOF7301: 4.3 cu. ft. Lower Oven: VDOE130: 4.5 cu. ft. VDOE530/VDOE530: 4.1 cu. ft. VDOF730: 4.1 cu. ft.</p>
Oven Volume (Overall)	Both Ovens: 4.1 cu. ft.	Both Ovens: 4.7 cu. ft.
Approximate Shipping Weight	360 lbs. (163 kg)	402 lbs. (182 kg)

*Flush mount dimensions are for Select and Premiere 30" W. models only. French door models **cannot** be installed flush to cabinets.

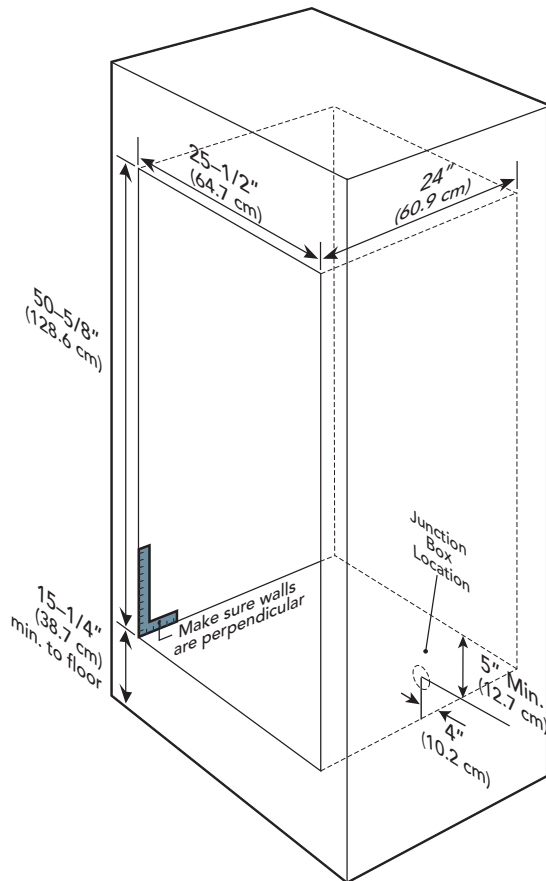
**The AHAM Standard for measuring oven capacity subtracts the door plug and convection baffle dimension from the total oven volume.

Cutout Dimensions–Double Oven

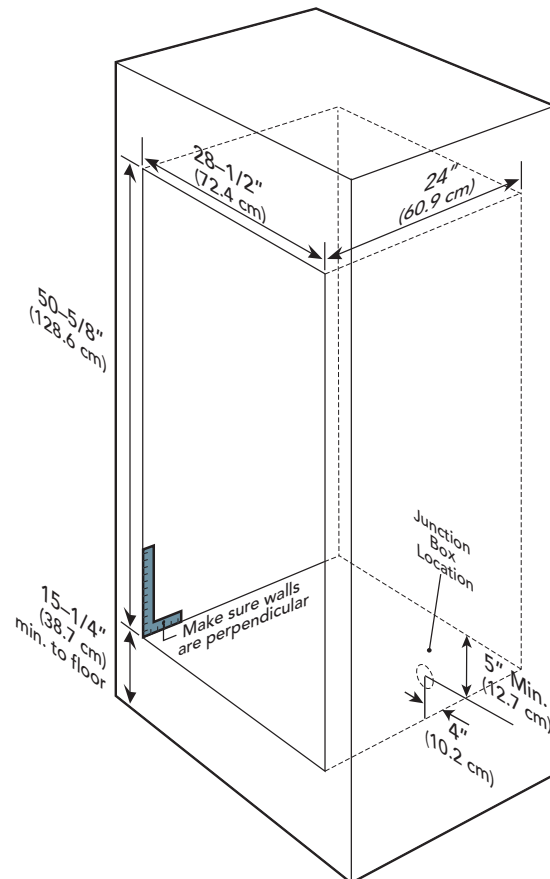
(Select / Premiere Models)

Note: A minimum of 2" (5.1 cm) spacing above and below the oven to any adjacent appliances such as a microwave or warming drawer is required for ventilation purposes.

27" Wide Double Built-In



30" Wide Double Built-In



For 30" W. flush mount cutout dimensions, refer to pages 16-19.

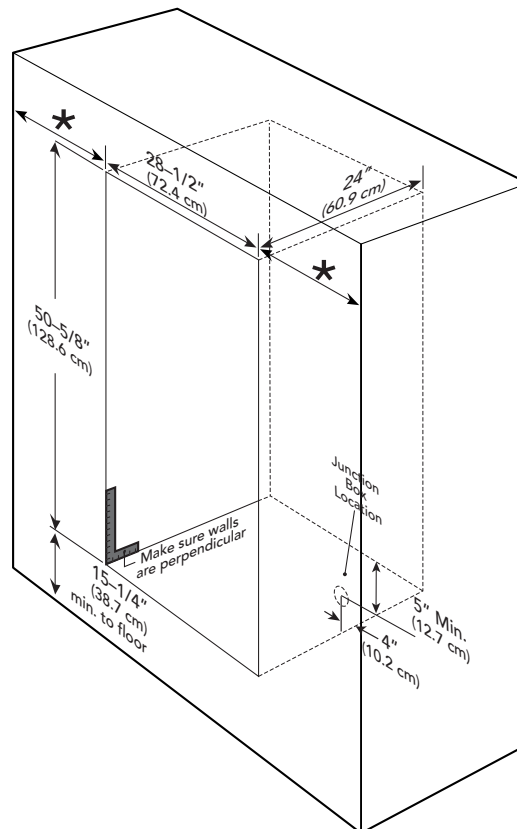
Cutout Dimensions–Double Oven

(French Door Model)

Note: A minimum of 2" (5.1 cm) spacing above and below the oven to any adjacent appliances such as a microwave or warming drawer is required for ventilation purposes.

(French Door models cannot be installed flush to cabinets)

30" Wide Double French Door Built-In

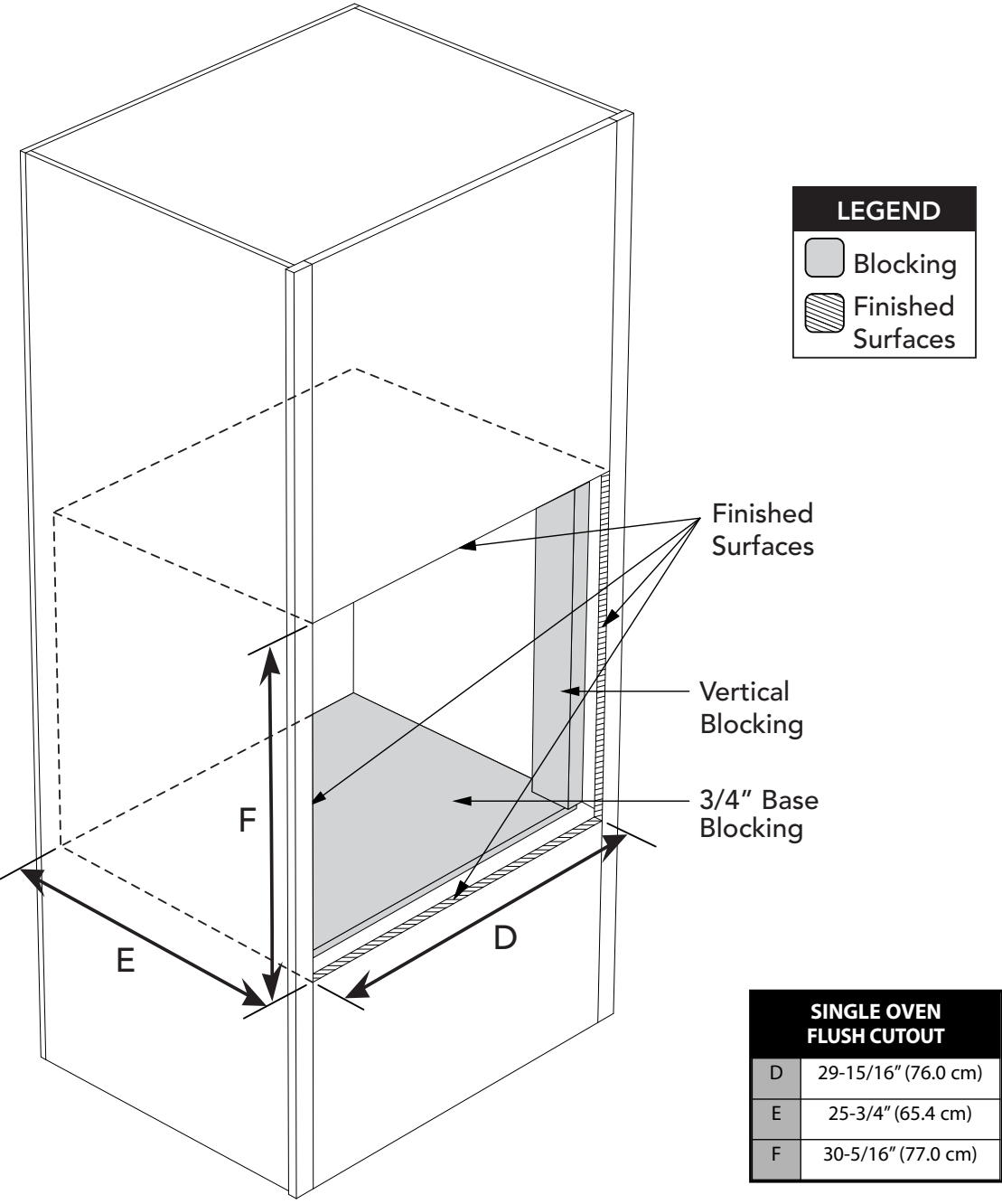


***French Door Models (VDOF7301) must have a minimum of 18" (45.7 cm) clearance on both sides to allow for door swing.**

Note: Failure to adhere to the instruction may result in personal injury or damage to the wall or cabinet when doors are fully open.

Dimensions (30" Single Oven flush mount installation)

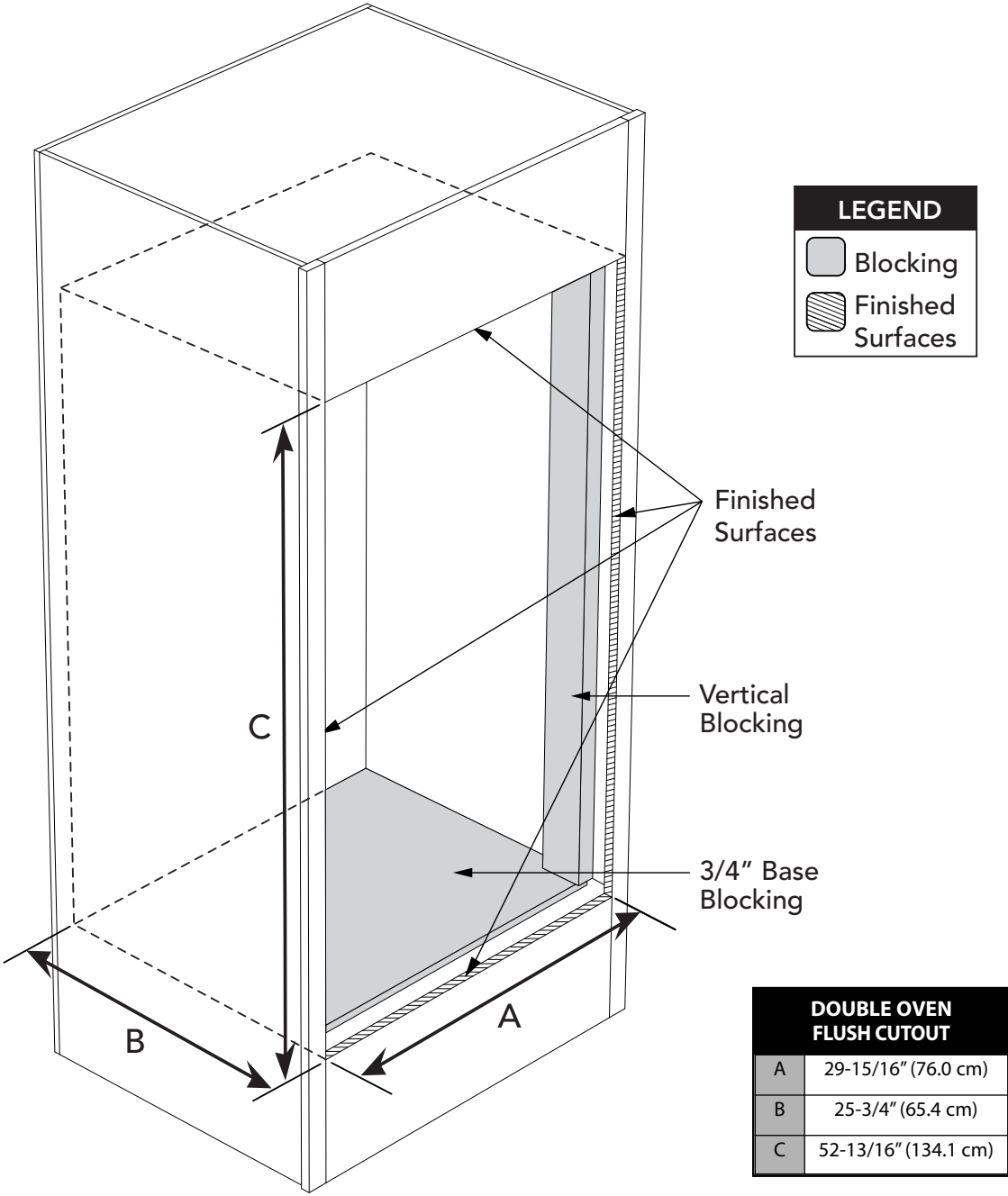
NOTE: French Door Models (VSOF7301) cannot be installed as a flush mount due to needed allowance for door swing clearance.



Note: To install the professional custom oven in a flush mount application the flush mount accessory kit is required.

Dimensions (30" Double Oven flush mount installation)

NOTE: French Door Models (VDOF7301) cannot be installed as a flush mount due to needed allowance for door swing clearance.

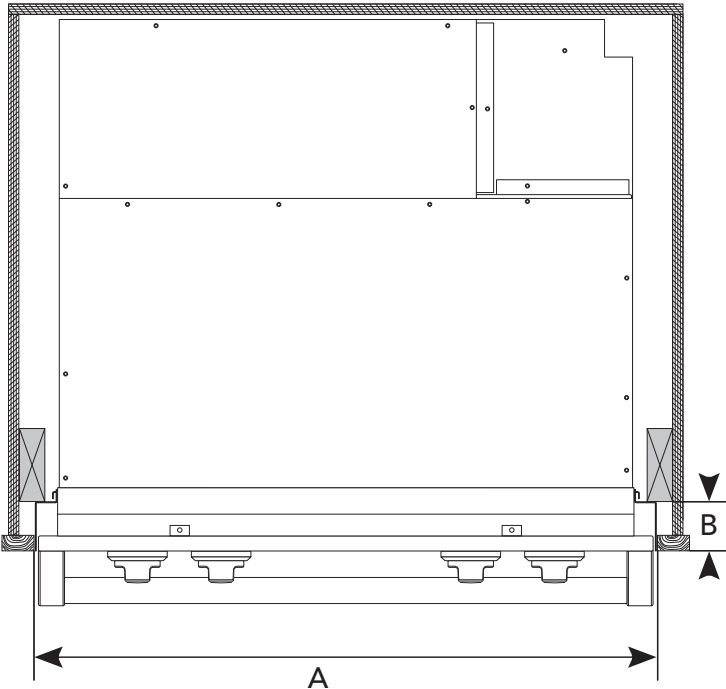
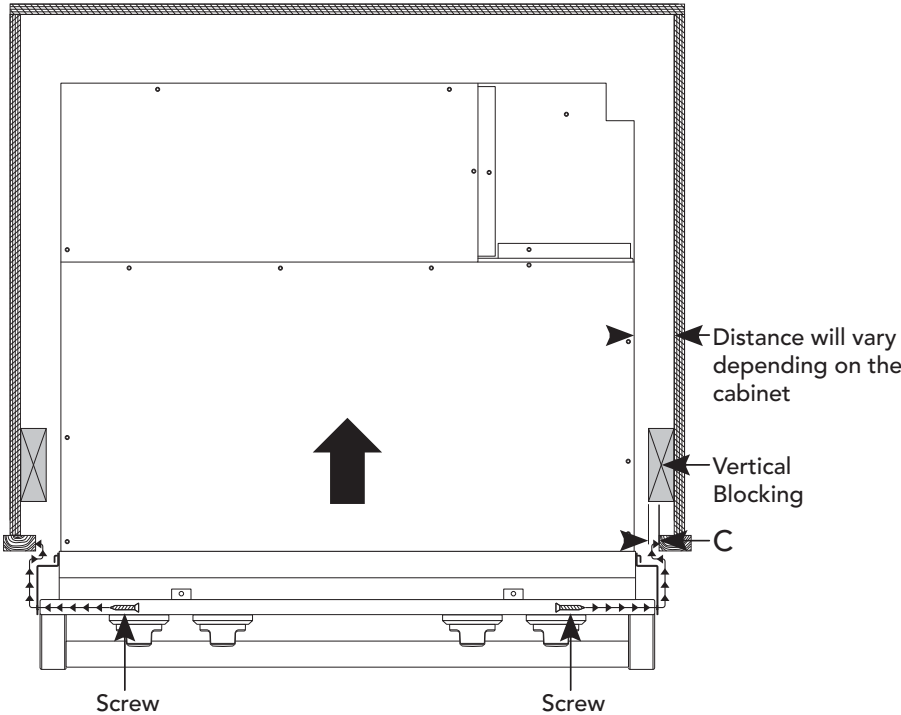


Note: To install the professional custom oven in a flush mount application the flush mount accessory kit is required.

Dimensions (30" Flush mount installation)

NOTE: French Door Models cannot be installed as a flush mount due to needed allowance for door swing clearance.

Top View

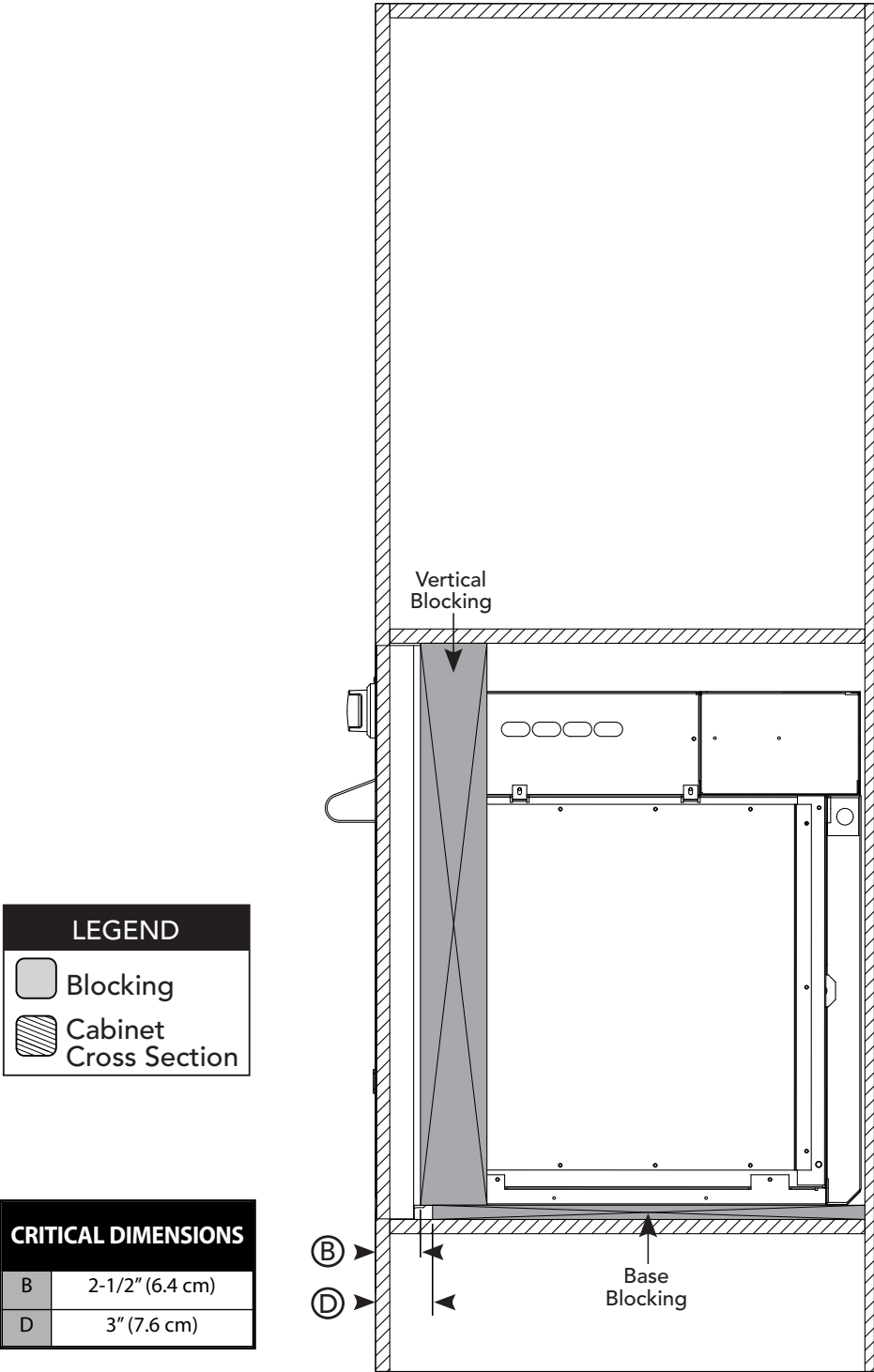


CRITICAL DIMENSIONS	
A	29-15/16" (76.0 cm)
B	2-1/2" (6.4 cm)
C	1/2" (1.3 cm)

Dimensions (30" Flush mount installation)

NOTE: French Door Models cannot be installed as a flush mount due to needed allowance for door swing clearance.

Side View



General Information

- All openings in the wall behind the appliance or in the floor under the appliance should be sealed.
- Keep appliance area clear and free from combustible materials, gasoline and other flammable vapors.
- Disconnect the electrical supply prior to servicing or cleaning.
- When removing the appliance for cleaning or service, disconnect AC power supply and carefully remove the appliance by pulling forward.
- **CAUTION:** The oven is heavy – use care when handling!
- Electrical requirements are listed in the product specifications under the electrical requirements section.

CAUTION

Avoid any damage to oven vents. The vents need to be unobstructed and open to provide proper airflow for optimal oven performance.

CAUTION

The cooling fan should be operating when the unit is in operation. If you notice the cooling fan is not operating or you observe unusual or excessive noise coming from the cooling fan, contact an authorized service center before continuing operation. Failure to do so can result in damage to the oven or surrounding cabinets.

Recommendations for Unpacking

- Products are shipped on pallets with foam footings and corrugated inner-packing and exterior hoods.
- Products are anchored to the pallet using metal straps that are screwed to the bottom of the product and the pallet.
- DO NOT remove protective packaging until you are ready to perform the installation.
- To remove the packaging, first remove the staples located at the bottom perimeter of the corrugated cover.
- Remove the corrugated cover by lifting it off the product and remove the inner-packing.
- Detach the product from the metal anchor strip by removing the attachment screw.
- DO NOT remove the protective wrapping from the product control panel until the product is installed.

Recommendations for Moving

- The appliance is heavy – use extreme care when handling!
- **WARNING: DO NOT** use the handle or oven door to lift the oven. Remove door(s) before installation to ensure that it is not used to lift the unit. **Do not remove the French Door model top oven/single oven doors. Do not lift or carry the door by the handle.**
- Only proper equipment should be used to move products.
- ALWAYS take steps to protect flooring at the installation location when moving products.

Installation

Site Preparation

Note: It is recommended that a thorough site inspection be conducted PRIOR to unpacking and moving this appliance.

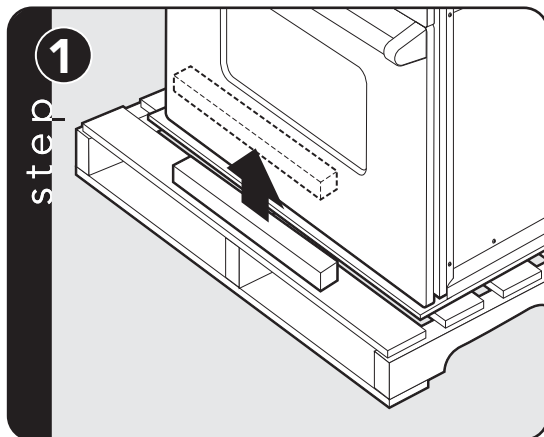
- **WARNING: DO NOT** use the handle or oven door to lift the oven. Remove door before installation to ensure that it is not used to lift the unit. Make sure pins are inserted into hinges before removing door to prevent personal injury to hands and/or fingers. **Do not lift or carry the door by the handle.**
- Confirm available access to adequate power – see electrical requirements.
 - Single oven units require a 30 amp circuit
 - Double oven units require a 50 amp circuit

Note: A minimum of 2" spacing above and below the oven to any other adjacent items is required for ventilation purposes. **DO NOT install two or more wall ovens single or double side-by-side or stacked one on top of the other.**

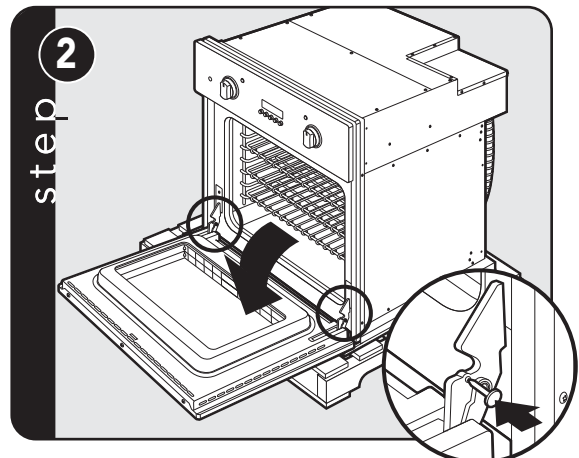
- It is recommended that 3/4" or larger material be utilized to create a support platform for this appliance.

- **BE SURE** that support for this appliance is perpendicular to the front facing of the wall or cabinet before you perform the installation.
- Use of a hydraulic lift is recommended for the installation of double oven units.
- All openings in the wall behind the appliance or in the floor under the appliance should be sealed.
- Keep appliance area clear and free from combustible materials, gasoline and other flammable vapors.
- **WARNING: DO NOT USE AN EXTENSION CORD WITH THIS APPLIANCE. SUCH USE MAY RESULT IN FIRE, ELECTRICAL SHOCK OR OTHER PERSONAL INJURY.**

Installation Procedure (Select / Premiere Models)

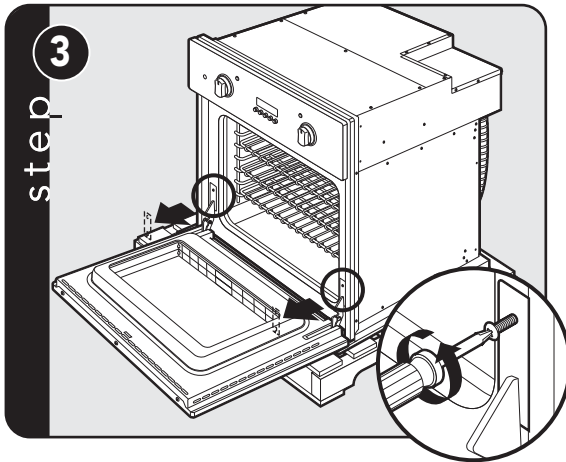


Remove wooden brace on front of pallet.

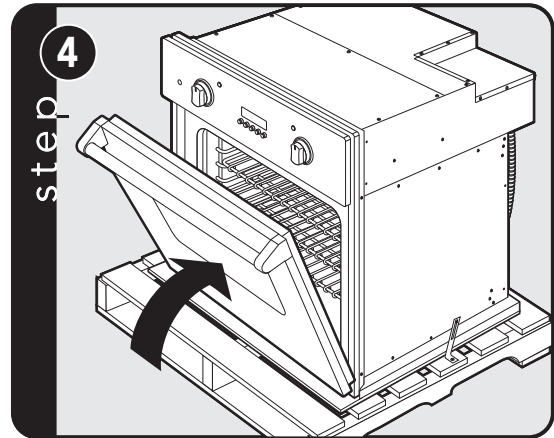


Open door completely. Place pin in pin hole.

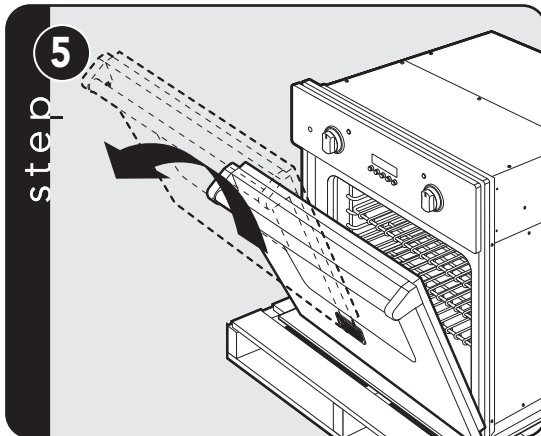
Installation Procedure (Select / Premiere Models)



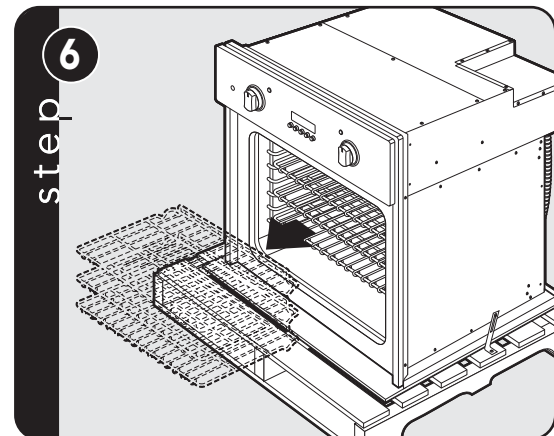
Remove hinge trim screws. Take off hinge trim.



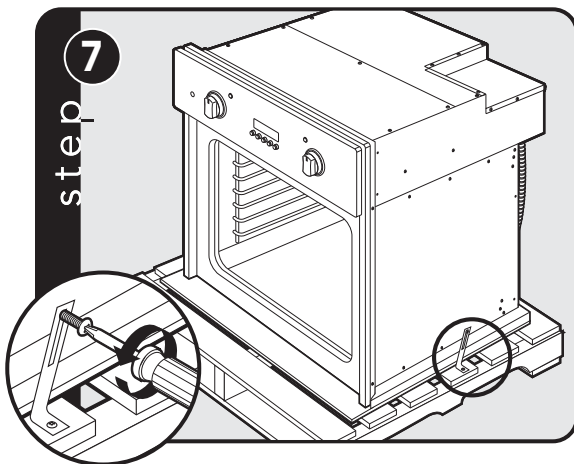
Close until pins stop door.



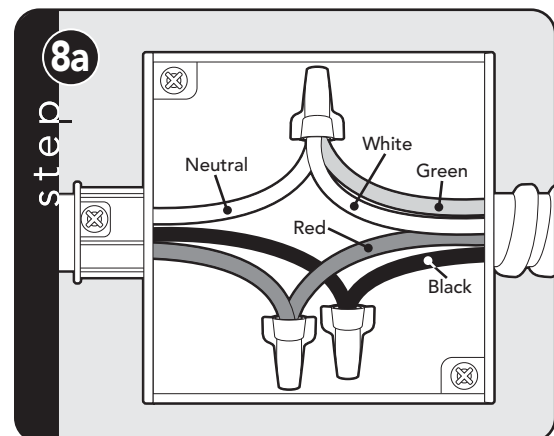
Lift door up and out. Repeat for all doors.



Remove racks.



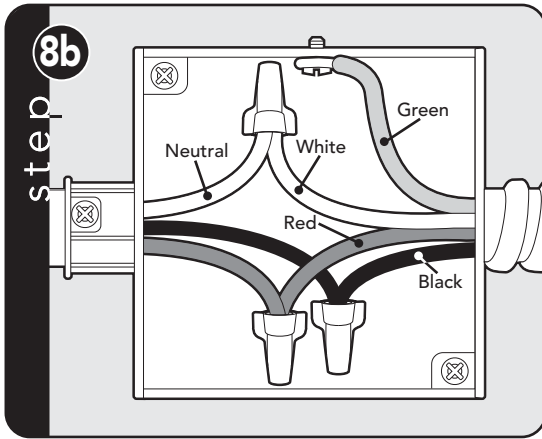
Unscrew pallet screws from side of oven.



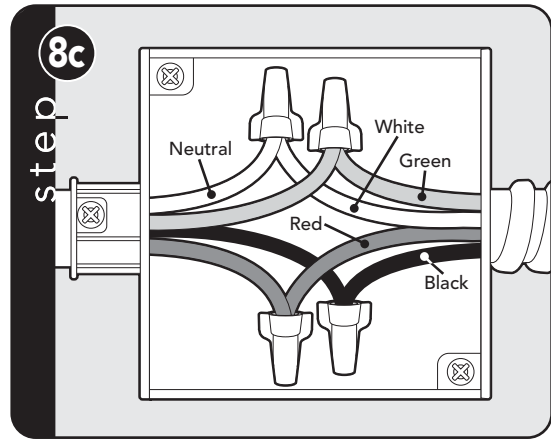
Wiring option 1*
(connect the white and green to the incoming neutral)

*Note: Check local code to see which wiring option should be used when grounding the unit.

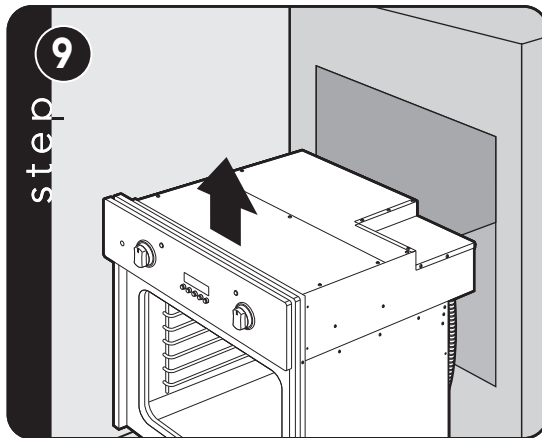
Installation Procedure (Select / Premiere Models)



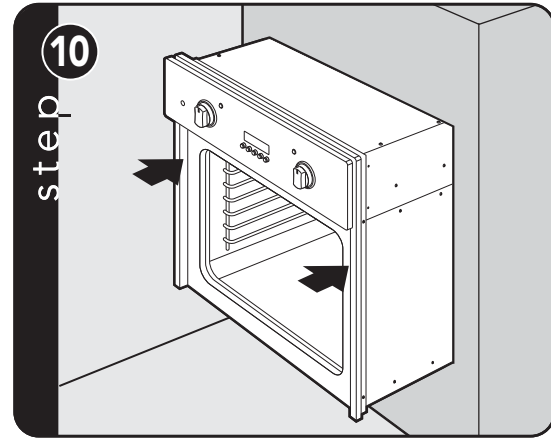
Wiring option 2*
(connect the white to the incoming neutral, attach green to grounded junction box)



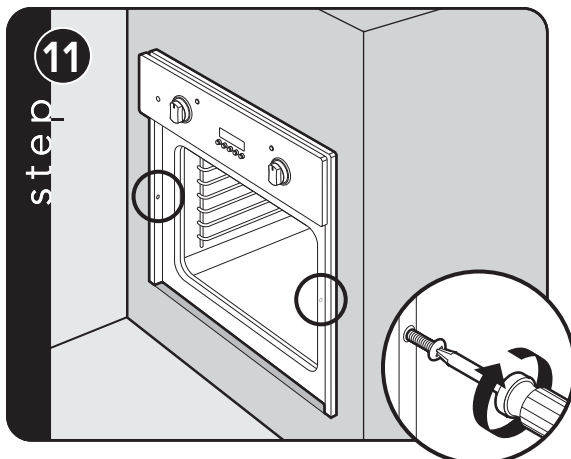
Wiring option 3*
(connect the white to the incoming neutral, attach green to suitable ground)



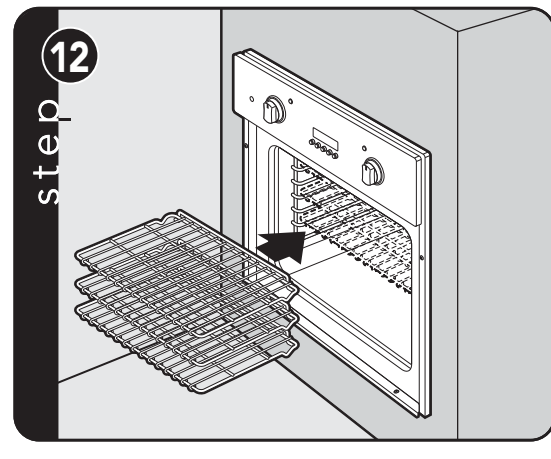
Lift oven into position.



Push oven straight in.



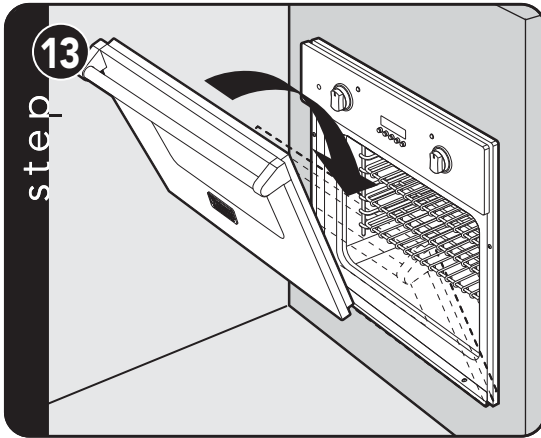
Attach screws to the side of the framing.
Note: 2 screws for single ovens, 4 screws for double ovens (screws not included).



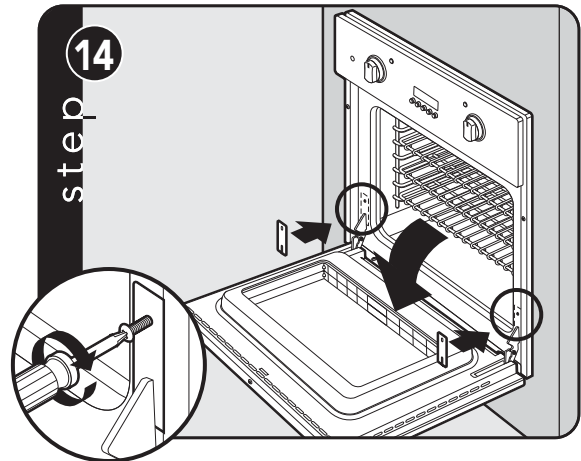
Replace racks.

*Note: Check local code to see which wiring option should be used when grounding the unit.

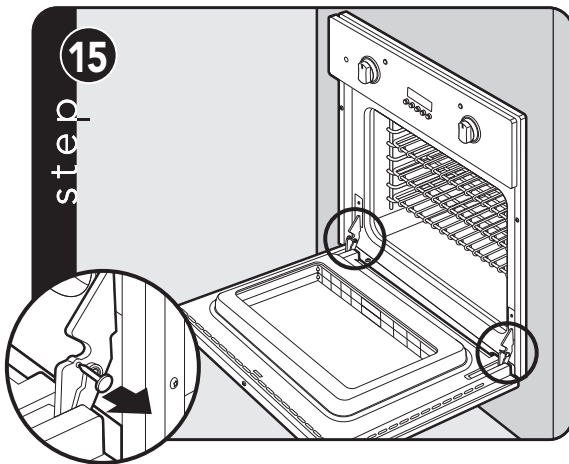
Installation Procedure (Select / Premiere Models)



Replace door.

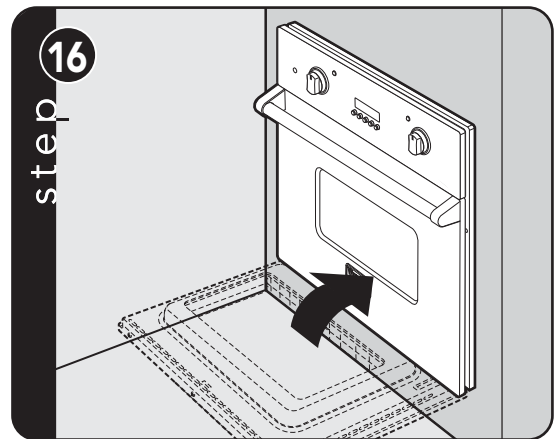


Open door completely. Put hinge trim plates back on.
Note: Screw holes may need to be re-aligned.



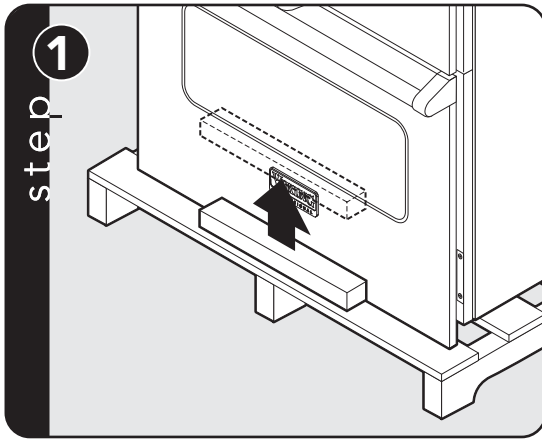
Take out pins.

Note: To adjust door, unit must be pulled out to access adjustment screws. Turn adjustment screw clockwise (up) or counterclockwise (down).

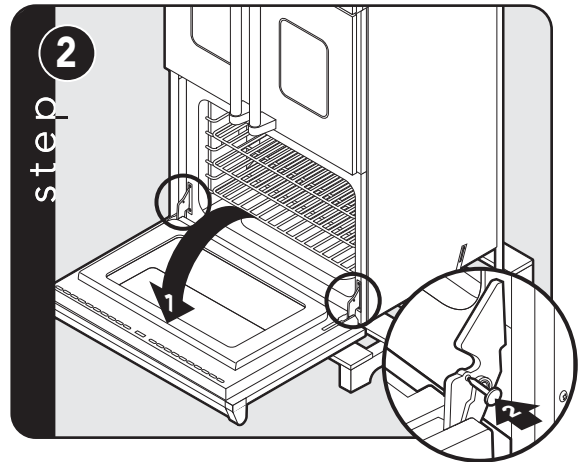


Close door.

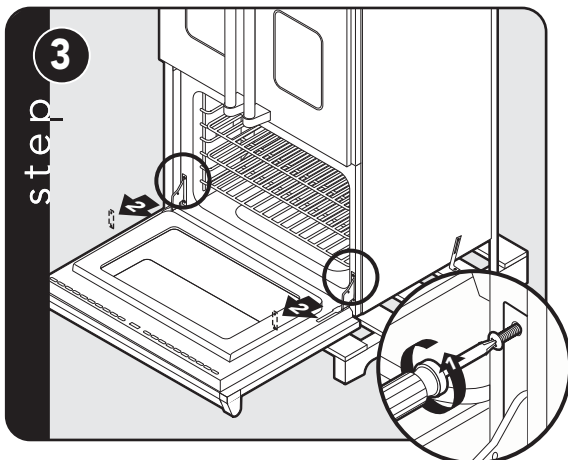
Installation Procedure (French Door Models)



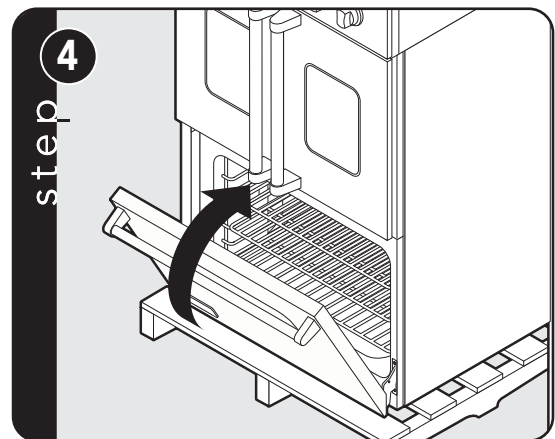
Remove wooden brace on front of pallet.



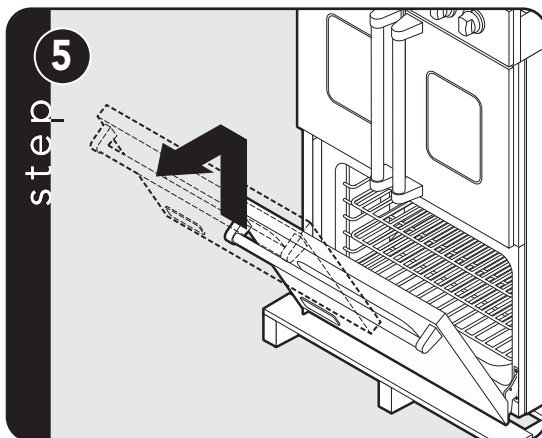
Open lower door completely. Place pin in pin hole. **DO NOT** remove the top/single oven French Doors.



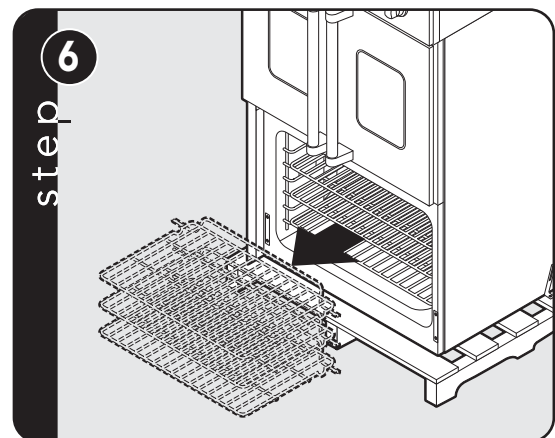
Remove hinge trim screws. Take off hinge trim.



Close until pins stop door.

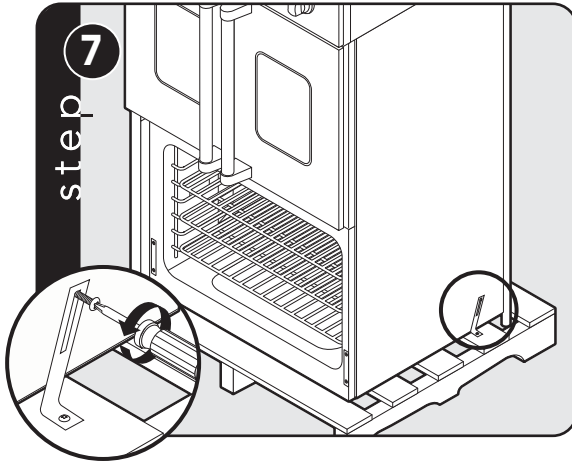


Lift door up and out. Repeat for all doors.

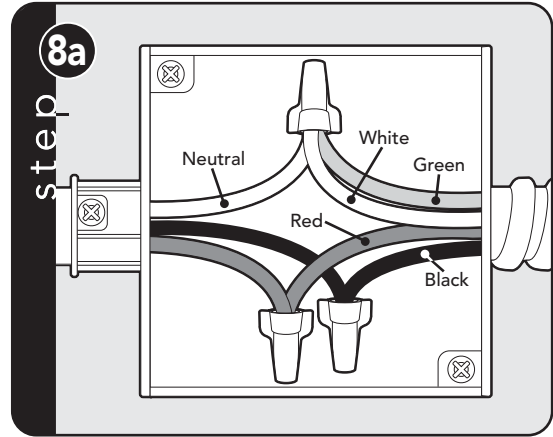


Remove racks.

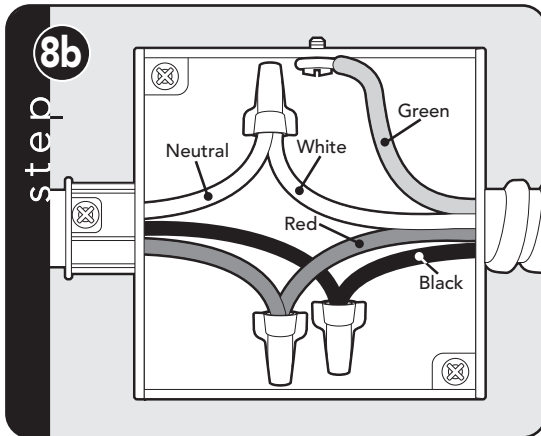
Installation Procedure (French Door Models)



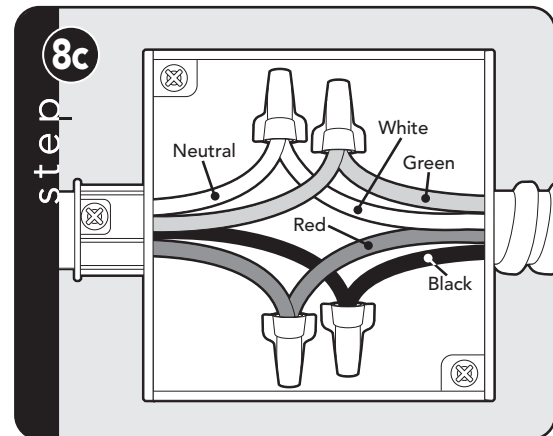
Unscrew pallet screws from side of oven.



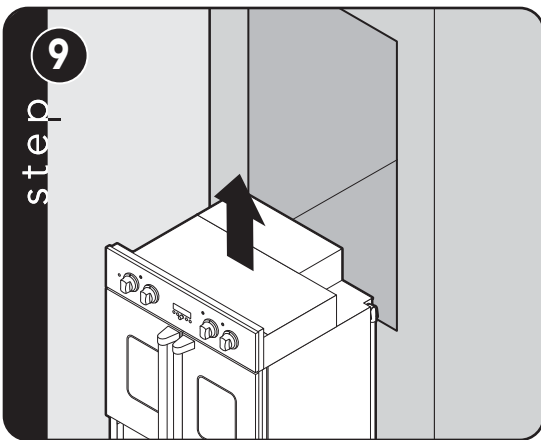
Wiring option 1*
(connect the white and green to the incoming neutral)



Wiring option 2*
(connect the white to the incoming neutral, attach green to grounded junction box)

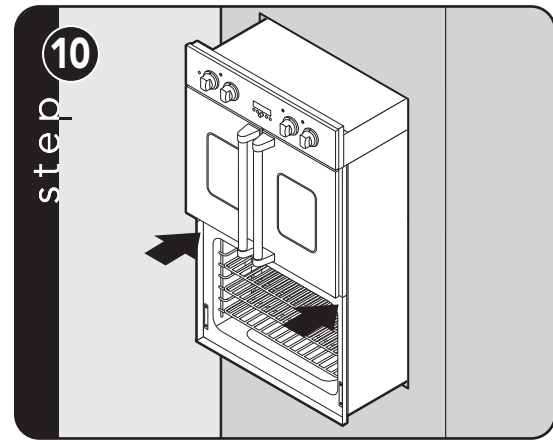


Wiring option 3*
(connect the white to the incoming neutral, attach green to suitable ground)



Lift oven into position.

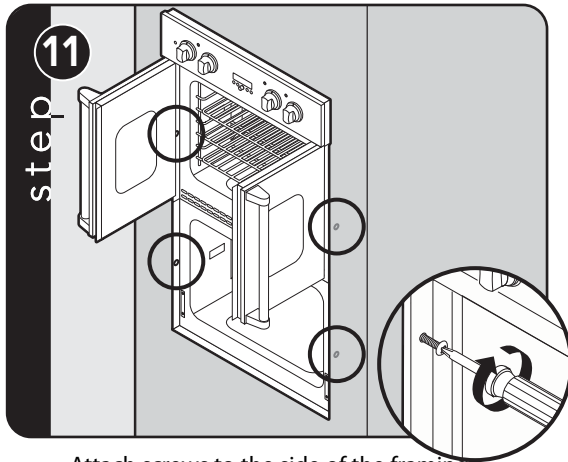
DO NOT use the handle or oven door to lift the oven.



Push oven straight in.

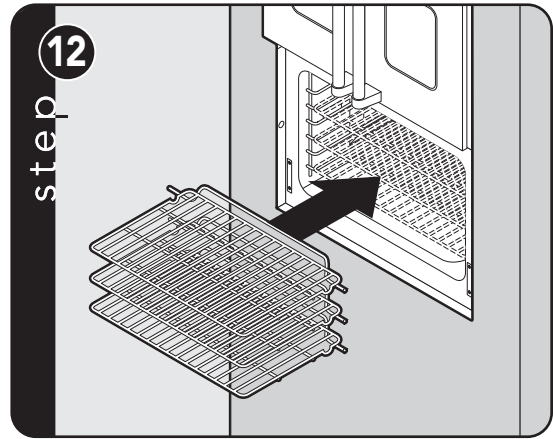
*Note: Check local code to see which wiring option should be used when grounding the unit.

Installation Procedure (French Door Models)

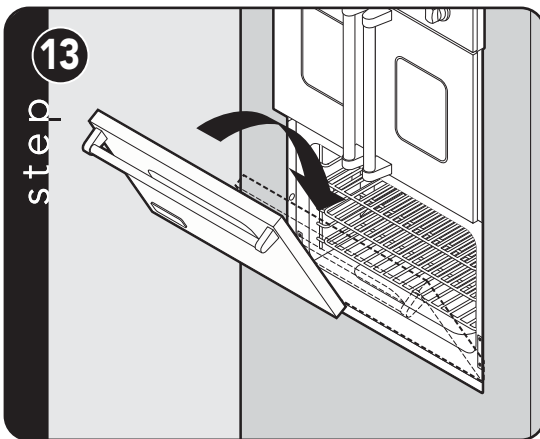


Attach screws to the side of the framing.

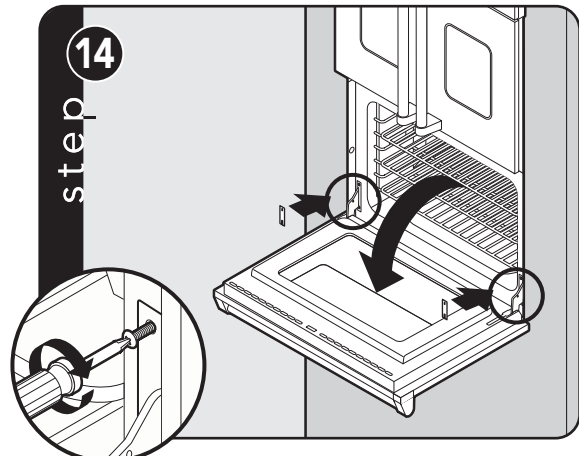
Note: 2 screws for single ovens,
4 screws for double ovens (screws not included).



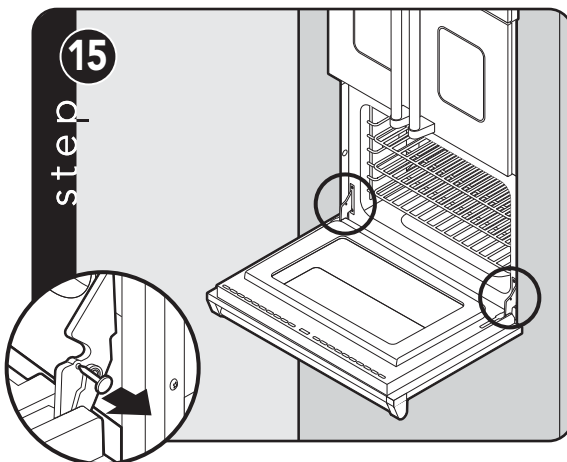
Replace racks.



Replace door.

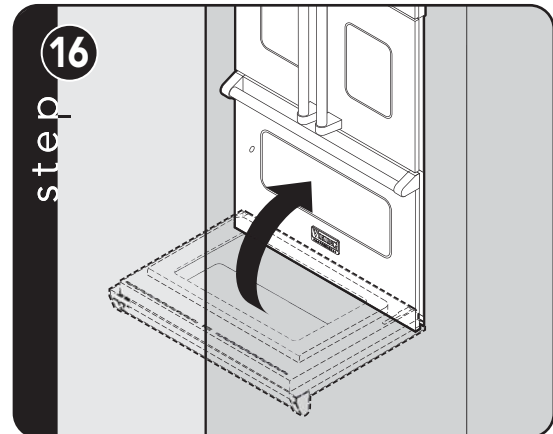


Open door completely. Put hinge trim plates back on.
Note: Screw holes may need to be re-aligned.



Take out pins.

Note: To adjust door turn adjustment screw
clockwise (up) or counterclockwise (down).



Close door.

Installation Procedure (French Door- Upper Door Adjustment)

There may be occasions where the upper doors are not aligned to the same height, especially if doors were removed for maintenance and then reinstalled. With doors in the closed position determine the alignment required, for example right door is higher than left door.

Alignment procedure:

1. Open doors fully
2. Loosen bottom hinge screws on both doors, see photos below.



Using a 5/32" allen wrench, adjust screw on each door shown below moving the door that is too high downward and the door that is low upward. You want to adjust both in opposite directions, not just one door. Note that this moves the lower hinge assembly when adjusted.



Close doors and check alignment, when alignment is correct, open doors and tighten the lower hinge plate screws that you loosened at beginning of procedure.



Performance Checklist

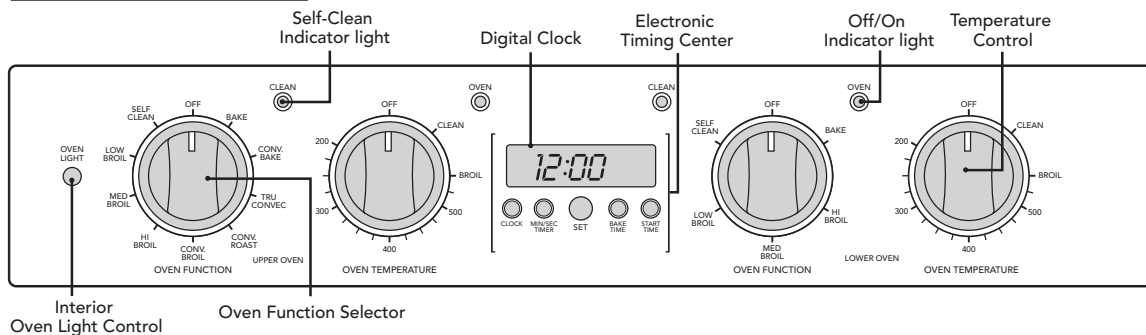
A qualified installer should carry out the following checks:

1. Check oven bake function—bake element on full power, center and outside broil elements at partial power. Convection bake function—bake and broil elements the same with the convection fan on.
2. Check TruConvec™ function—TruConvec element (behind convection fan cover) on and convection fan on.
3. Check high broil function—both broil elements at full power. Convection broil function is the same with convection fan on.
4. Check medium broil function—inner and outer broil elements pulse on and off.
5. Check low broil function—inner broil element only.
6. Check self-clean function—Door will lock in approximately 30 seconds, the center and outside broil elements will turn on and the bake element will turn on at partial power. Check broil elements through window to make sure they are on, then abort self-clean cycle to unlock door.

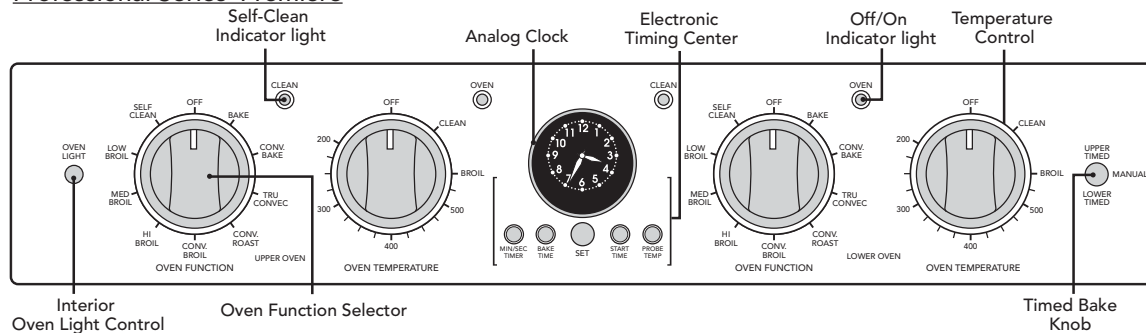
CAUTION: Do not run self-clean cycle check for more than 10 minutes with the oven racks and rack supports inside oven to avoid discoloration due to the high temperature.

Any adjustments necessary that are a result of the installer not following instructions will be the responsibility of the installer, dealer or the end user of the product.

Professional Series—Select

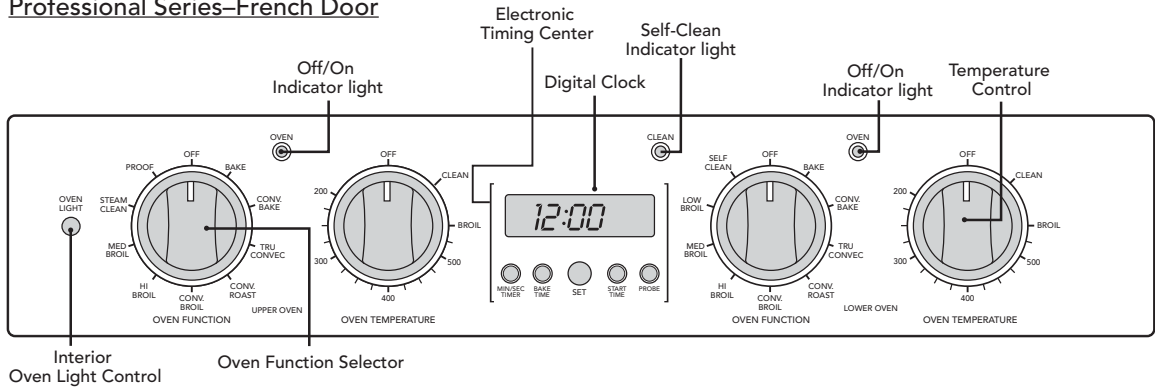


Professional Series—Premiere

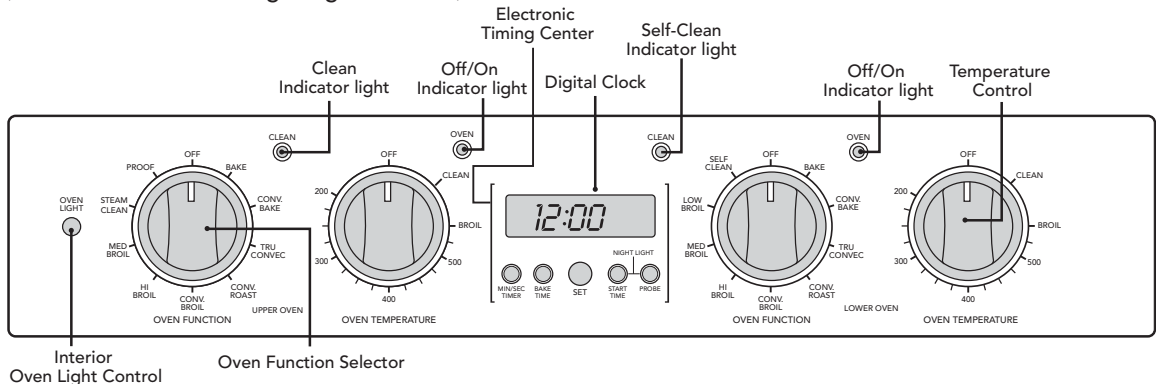


Performance Checklist (continued)

Professional Series—French Door



Professional Series—French Door (with Steam Clean and Night Light Function)



Final Preparation

1. Some stainless steel parts may have a plastic protective wrap, which must be peeled off. All stainless steel body parts should be wiped with hot soapy water and with liquid cleaner designed for this material. If build-up occurs, do not use steel wool, abrasive cloths, cleaners or powders!! If it is necessary to scrape stainless steel to remove encrusted materials, soak with hot, wet cloths to loosen the material, then use a wood or nylon scraper. Do not use a metal knife, spatula, or any other metal tool to scrape stainless steel!! Scratches are almost impossible to remove.
2. The interior of the oven should be washed thoroughly with hot, soapy water to remove film residues and installation debris before being used for food preparation, then rinsed and wiped dry. Solutions stronger than soapy water are rarely needed.

Service Information

If your oven should fail to operate, check to see whether the circuit breaker is open or the fuse is blown.

If service is required, call your authorized service agency.

When you call for service, have the following information readily available:

- Model number
- Serial number
- Date of purchase
- Name of dealer from whom purchased

Clearly describe the problem that you are having. If you are unable to obtain the name of an authorized service agency, or if you continue to have service problems, contact Viking Range, LLC at 1-888-845-4641, or write to:

**VIKING RANGE, LLC
PREFERRED SERVICE
111 Front Street
Greenwood, Mississippi 38930 USA**

Record the following information indicated below. You will need it if service is ever required. The serial number and model number for your oven is located on the identification plate mounted on the top left side of the oven door opening under the control panel.

Model Number _____ Serial Number _____

Date of Purchase _____ Date Installed _____

Dealer's Name _____

Address _____

If service requires installation of parts, use only authorized parts to ensure protection under the warranty.

This manual should remain with the oven for future reference.

Viking Range, LLC
111 Front Street
Greenwood, Mississippi 38930 USA
(662) 455-1200

For product information call 1-888-(845-4641)

or visit our web site at vikingrange.com

