



## BUILT-IN REAR DOWNDRAFTS

### DESIGN AND APPEARANCE

- Coordinates with both Viking Professional and Viking cooktops and Viking Professional rangetops
- Compact design is installed directly behind a cooktop or rangetop for an unobtrusive appearance
- Available in 30", 36", 45" and 48" widths
- Thin profile provides additional space under the cabinet

### PROFESSIONAL PERFORMANCE AND FEATURES

- Industry leading 18" high chimney rise is ideal for large pots and pans, capturing more smoke and odors than other downdrafts
- Brushed stainless steel cover with dishwasher-safe filters are easy to remove for cleaning
- Filter clean indicator takes the guesswork out of when to clean the filter
- Capacitive touch control on front and top
- Two level LED lighting (500 LUX) for bright surface illumination
- Four speed blower efficiently handles all types of cooking
- Heat sensor automatically adjusts speed of blower to high when excessive heat is detected

### MODEL NUMBERS

- VDD5300SS – 30"W. Rear Downdraft
- VDD5360SS – 36"W. Rear Downdraft
- VDD5450SS – 45"W. Rear Downdraft
- VDD5480SS – 48"W. Rear Downdraft



### BLOWER OPTIONS

- VDVI600 – 600 CFM interior flex blower
  - Unique ducting capability allows interior blower to be ducted left, right, down or as a remote mount
- VDVE900 – 900 CFM external blower
- VDVE1200 – 1200 CFM external blower
  - Optional ARKD accessory recirculating kit provides an option when outside ducting is not possible

### ACCESSORIES

- ARKD – Non-duct recirculation kit
- BPFDD – Non-duct filter replacement
- ATKD8 – Transition to 8" round
- ATKD10 – Transition to 10" round
- RCVD8 – Front panel rough-in for remote flex blower 8"
- RCVD10 – Front panel rough-in for remote flex blower 10"
- VACE36 – End caps for 36-3/4"W. cooktop
- AXKD2 – 2' of flexible duct
- AXD5 – 5' of extension cable for flex blower remote use
- FSVDD30SS – Filler strip for 30" VEC/VIC cooktop
- FSVDD36SS – Filler strip for 36" VEC/VIC cooktop
- FSVRVDD30SS – Filler strip for 30" range/rangetop
- FSVRVDD36SS – Filler strip for 36" range/rangetop
- FSVRVDD48SS – Filler strip for 48" range/rangetop

### COLOR FINISHES

- Available in Stainless Steel (SS)

### WARRANTY

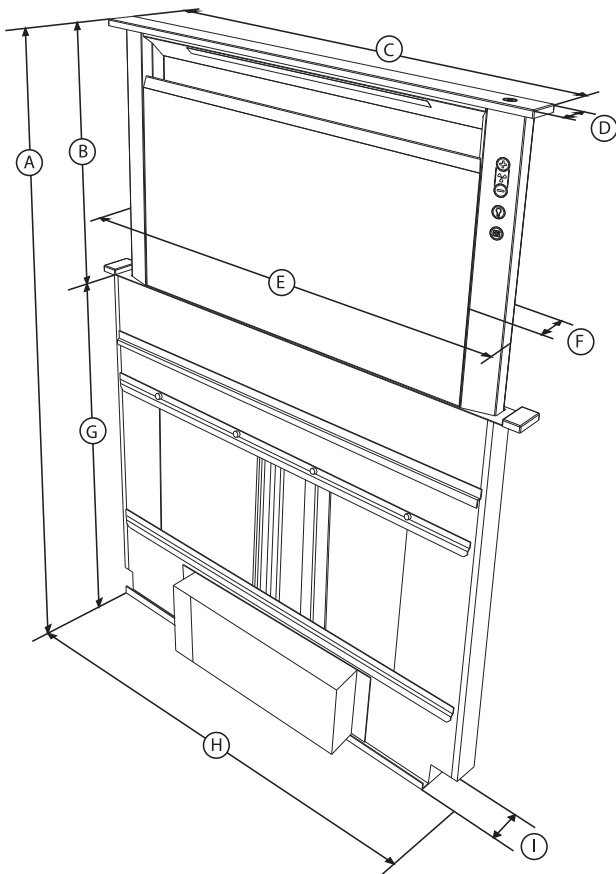
- 1-year full covers complete unit
- 5-year limited covers downdraft blower



# BUILT-IN REAR DOWNDRAFTS

BUILT-IN REAR DOWNDRAFTS				
MODEL NUMBER	BLOWER CFM	RECOMMENDED DUCT SIZE	MAX DUCT RUN	120 V/60 HZ MAX AMPS
VDVI600 (interior)	600	8" round	40 feet (12.2m)	3.0
VDVE900 (exterior)	900	10" round	50 feet (15.2m)	5.7
VDVE1200 (exterior)	1200	10" round	50 feet (15.2m)	6.0

Please do not prepare installation from brochure data only. See installation instructions for important clearance/installation information.



	30"W. Model	36"W. Model	45"W. Model	48"W. Model
A	47.875	47.875	47.875	47.875
B	18.5	18.5	18.5	18.5
C	27.375	33.375	43.375	45.375
D	2.25	2.25	2.25	2.25
E	25.5	31.5	40.5	43.5
F	1.75	1.75	1.75	1.75
G	29.375	29.375	29.375	29.375
H	27.125	33.125	41.125	45.125
I	2.5	2.5	2.5	2.5

VIKING BLOWER LIST							
BLOWER MODEL	DUCT SIZE	DISCHARGE	SPEED SETTING	STATIC PRESSURE	HVI CFM	HVI SONES	RATED WATTS
VDVI600	8"	REAR	HS	0.1	430	8	307
	8"	REAR	HS	0.25	420		
	8"	REAR	WS	0.016	170	1.2	72.5
	8"	BELOW	HS	0.1	450	9	309
	8"	BELOW	HS	0.25	440		
	8"	BELOW	WS	0.016	170	0.8	72.3
	8"	FRONT	HS	0.1	500	9	322
	8"	FRONT	HS	0.25	490		
	8"	FRONT	WS	0.015	190	0.9	73.2
	8"	LEFT	HS	0.1	460	9	307
	8"	LEFT	HS	0.25	450		
	8"	LEFT	WS	0.015	180	0.9	72.6
	8"	RIGHT	HS	0.1	440	11	318
	8"	RIGHT	HS	0.25	420		
8"	RIGHT	WS	0.014	160	0.9	72.9	
EXTERNAL BLOWER	DUCT SIZE	DISCHARGE	SPEED SETTING	STATIC PRESSURE	HVI CFM	HVI SONES	RATED WATTS
VDVE900	N/A	Direct	HS	0.1	900	N/A	560.0
	N/A	Direct	HS	0.03	940	N/A	
VDVE1200	N/A	Direct	HS	0.1	1200	N/A	
	N/A	Direct	HS	0.03	1230	N/A	



VIKING RANGE, LLC 111 FRONT STREET GREENWOOD, MISSISSIPPI 38930 USA

For detailed product information, model numbers, or to request a quote call 1-888-845-4641 or visit [vikingrange.com](http://vikingrange.com)

© 2020 Viking Range, LLC All rights reserved. Specifications subject to change without notice.