

Use/Installation GUIDE



5 SERIES

Rear Downdraft Ventilators

VDD5300/CVDD5300

VDD5360/CVDD5360

VDD5450/CVDD5450

VDD5480/CVDD5480

MODEL	WIDTH	BLOWER (purchased separately)
VDD5300/CVDD5300	30" W.	VDVI600 Interior or VDVE900 Exterior
VDD5360/CVDD5360	36" W.	VDVI600 Interior or VDVE900 Exterior
VDD5450/CVDD5450	45" W.	VDVI600 Interior or VDVE900 Exterior, VDVE1200 Exterior
VDD5480/CVDD5480	48" W.	VDVI600 Interior or VDVE900 Exterior, VDVE1200 Exterior

READ AND SAVE THESE INSTRUCTIONS

WARNING

TO REDUCE THE RISK OF FIRE, ELECTRIC SHOCK, OR INJURY TO PERSONS, OBSERVE THE FOLLOWING:

1. Use this unit only in the manner intended by the manufacturer. If you have questions, contact the manufacturer at the address or telephone number in the warranty.
2. Before servicing or cleaning unit, switch power off at service panel and lock the service disconnecting means to prevent power from being switched on accidentally. When the service disconnecting means cannot be locked, securely fasten a prominent warning device, such as a tag, to the service panel.
3. Installation work and electrical wiring must be done by a qualified person(s) in accordance with all applicable codes and standards, including fire-rated construction codes and standards.
4. Sufficient air is needed for proper combustion and exhausting of gases through the flue (chimney) of fuel burning equipment to prevent backdrafting. Follow the heating equipment manufacturer's guideline and safety standards such as those published by the National Fire Protection Association (NFPA), and the American Society for Heating, Refrigeration and Air Conditioning Engineers (ASHRAE), and the local code authorities.
5. When cutting or drilling into wall or ceiling, do not damage electrical wiring and other hidden utilities.
6. Ducted fans must always be vented to the outdoors.
7. To reduce the risk of fire, use only metal ductwork.
8. Do not install this product with the activating switch directly behind a burner or element. Minimum distance between the switch and the edge of the burner should be 4 inches.
9. Loose-fitting or hanging clothing should never be worn when operating this appliance. They may be ignited by burners/elements on cooktop.
10. Children should not be left alone or unattended in the area where this appliance is in use.
11. This unit must be grounded.
12. To reduce the risk of fire or electric shock, it is recommended that the downdraft be installed with a dedicated circuit separate from the appliance.

TO REDUCE THE RISK OF A RANGE TOP GREASE FIRE:

- a) Never leave surface units unattended at high settings. Boilovers cause smoking and greasy spillovers that may ignite. Heat oils slowly on low or medium settings.
- b) Always turn hood ON when cooking at high heat or when cooking flaming foods.
- c) Clean ventilating fans frequently. Grease should not be allowed to accumulate on fan or filter.
- d) Use proper pan size. Always use cookware appropriate for the size of the surface element.

WARNING

TO REDUCE THE RISK OF INJURY TO PERSONS IN THE EVENT OF A RANGE TOP GREASE FIRE, OBSERVE THE FOLLOWING*:

1. SMOTHER FLAMES with a close-fitting lid, cookie sheet, or metal tray, then turn off the burner. BE CAREFUL TO PREVENT BURNS. If the flames do not go out immediately, EVACUATE AND CALL THE FIRE DEPARTMENT.
2. NEVER PICK UP A FLAMING PAN - You may be burned.
3. DO NOT USE WATER, including wet dishcloths or towels - a violent steam explosion will result.
4. Use an extinguisher ONLY if:
 - A. You know you have a Class ABC extinguisher, and you already know how to operate it.
 - B. The fire is small and contained in the area where it started.
 - C. The fire department is being called.
 - D. You can fight the fire with your back to an exit.

* Based on "Kitchen Firesafety Tips" published by NFPA.

CAUTION

1. TO REDUCE THE RISK OF FIRE OR INJURY, DO NOT INSTALL WITH COOKING PRODUCTS THAT HAVE A GRIDDLE.
2. For indoor use only.
3. For general ventilating use only. Do not use to exhaust hazardous or explosive materials and vapors.
4. To avoid motor bearing damage and noisy and/or unbalanced impellers, keep drywall spray, construction dust, etc. off power unit.
5. Clean filters and grease-laden surfaces frequently.
6. Do not repair or replace any part of this appliance unless specifically recommended in this manual. All other servicing should be done by a qualified technician.
7. Please read specification label on product for further information and requirements.
8. To reduce the risk of fire and electric shock, install this downdraft only with blower models shown below. Other blower models cannot be substituted. (Blowers sold separately).
Flex Blower Model VDVI600
Exterior Blower Models VDVE900, VDVE1200

INSTALLER:
Save this manual for Electrical Inspector
and Homeowner to use.

CONTENTS

These parts are included with your downdraft housing:

- 1 - Parts Bag
- 4 - Support Legs
- 1 - Trim Kit
- 1 - Electrical Panel
- 2 - Support Brackets

PLANNING

DO NOT INSTALL WITH COOKING PRODUCTS THAT HAVE A GRIDDLE.

Due to its flexible design, this downdraft system can be used to exhaust airborne contaminants when cooking with a variety of gas or electric cooking appliances - including cooktops, rangetops, slide-in ranges and free-standing ranges.

It can be mounted in island, peninsula, or conventional wall location. The blower (purchase separately) and electrical panel can be mounted to the downdraft unit, inside the cabinet, or in a convenient remote location.

This unit can be easily installed following these basic steps:

- Cut out the countertop opening.
- Mount the unit in the cabinet.
- Install the blower and electrical panel.
- Connect the ductwork and electrical.
- Mount the trim/door.
- Install the cooking appliance.

Note: the high level of air flow of this appliance may effect the gas flame on some types of gas cooktops. This is NORMAL and will cause no harm, but can be corrected by lowering the speed of the blower.

ELECTRICAL SPECIFICATIONS

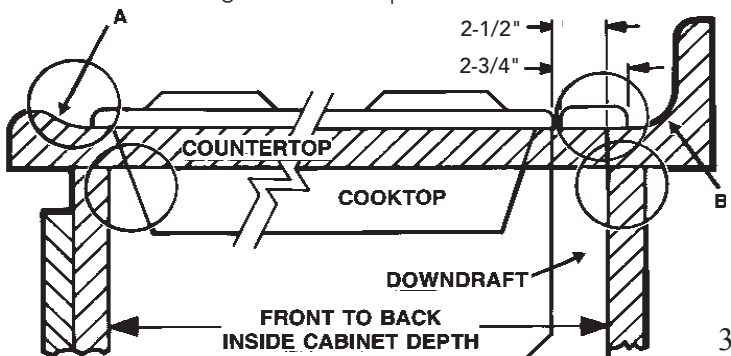
Model VDV1600 - Internal Flex:
120 VAC • 60 Hz • 3.0 A

Models VDVE900, VDVE1200 - Exterior
120 VAC • 60 Hz • 6.0 A (max.)

TAKE MEASUREMENTS

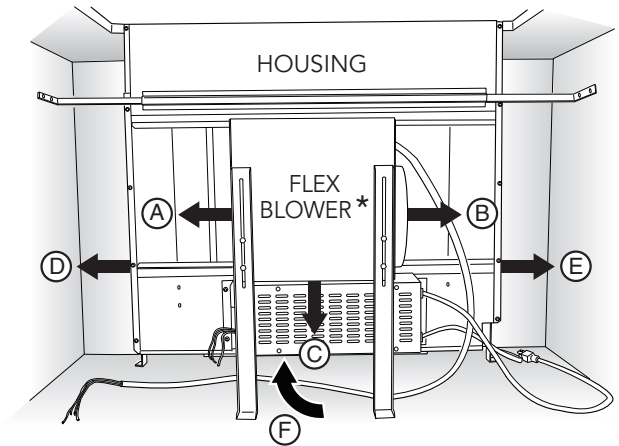
1. Refer to the cooktop installation instructions for dimensions of cooktop, countertop cut-out, and cabinet requirements. However, it is recommended that oversized cabinets be used for easier installation.
2. Cooktop depth can vary greatly from one to another. This may cause the fit of these two appliances to be rather tight.

Pay special attention to the areas of potential interference highlighted below. A countertop with (A) a raised lip and/or (B) a backsplash may not allow enough flat countertop for a proper installation. Note that 2-3/4" of flat countertop is required behind cooktop and that 2-1/2" is necessary between the back edge of the cooktop and the inside of cabinet back.



Note: Remove all protective film and packaging before operation. In order to remove all protective film and packaging, raise the ventilator housing and remove the front panel to access the filter area.

PLAN THE DUCTWORK



* Remote blowers use 8" or 10" round remote discharge plate instead of flex blower.

1. The downdraft blower system is designed for use with 8" round ductwork using a flex blower or 10" Round ductwork using a remote blower. (Purchase blowers separately.) Six (6) different discharge connections are available - with side-to-side adjustment for accurate alignment of ductwork:

A = 8" Round, Left Discharge out of Flex Blower

B = 8" Round, Right Discharge out of Flex Blower

C = 8" Round, Down Discharge out of Flex Blower (Electrical Box to be mounted remotely)

D = 2" x 19/4", Left Discharge out of Housing to Remote Blower or Flex Blower in remote location. Use 2" x 19/4" to 8" round transition, 2" x 19/4" to 10" round transition, or 2" x 19/4" ductwork as appropriate.

E = 2" x 19/4", Right Discharge out of Housing to Remote Blower or Flex Blower in remote location. Use 2" x 19/4" to 8" round transition, 2" x 19/4" to 10" round transition, or 2" x 19/4" ductwork as appropriate.

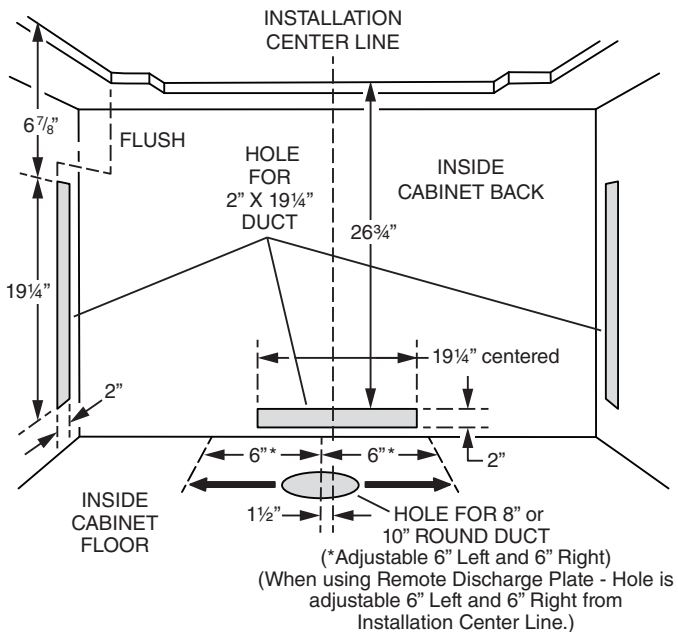
F = 2" x 19/4", Rear Discharge out of Housing to Remote Blower or Flex Blower in remote location. Use 2" x 19/4" to 8" round transition, 2" x 19/4" to 10" round transition, or 2" x 19/4" ductwork as appropriate.

2. For best performance: Choose the ducting option which allows the shortest length of ductwork and a minimum number of elbows and transitions. Check location of floor joists, wall studs, electrical wiring or plumbing for possible interference.

PLAN CABINET CUTOUTS



CAUTION:
BEFORE CUTTING HOLE IN CABINET FOR DUCTWORK, check for interference with floor joists, wall studs, electrical wiring, or plumbing.



Use the dimensions in the above illustration to help plan how and where to provide duct access through your cabinet. Generally, 1-7/8" x 19" rectangular duct will be used through left, right, and back of cabinet - while 8" round duct will be used through cabinet floor.

For left, right, or rear exhaust:

Allow at least 18" for transition and elbow or blower.

For left/right exhaust:

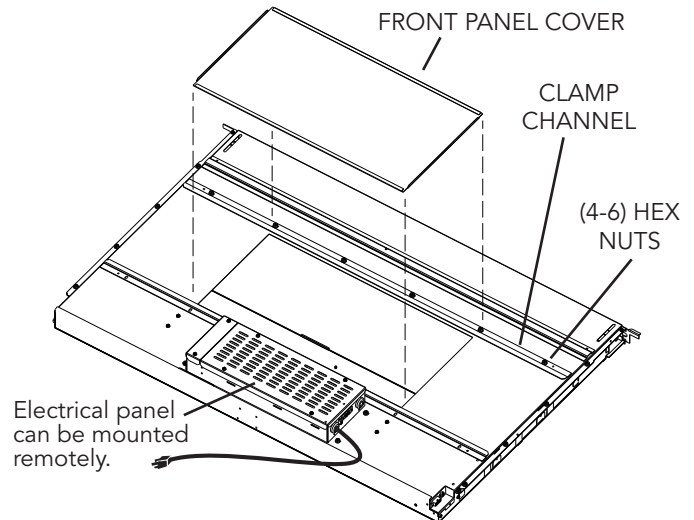
A 30" deep cabinet is recommended to align properly with flex blower. Flex blower can be mounted to rear cabinet wall or to a platform/frame (not provided) on the base of the cabinet floor. (See flex blower instructions).

Cabinet depths of 24" to 30" are required - depending on the type of cooking appliance.

PLAN THE WIRING

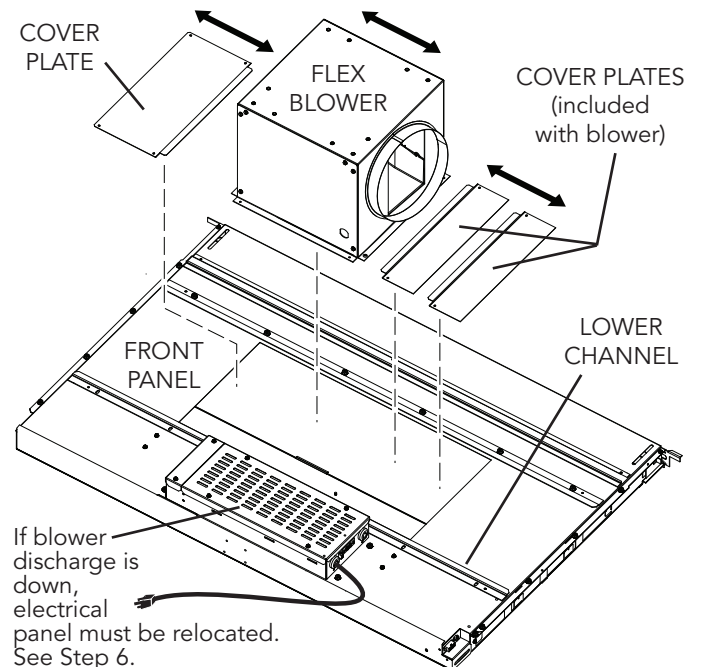
1. This downdraft blower using the Flex Blower (purchase separately) draws 3.0 Amps and requires a 120 VAC, 60 Hz circuit. If using a remote blower (purchase separately), the system draws 6.0 Amps (max.) and requires a 120 VAC, 60 Hz circuit.
2. The unit has a 18 in. long power cord with a 3-pronged plug. Plan to provide a grounded outlet in a location which will allow the unit's power cord to reach.
3. Install electrical box according to local codes.
4. The length of cable from the electrical box to the downdraft is 20 in.
5. The length of blower (sold separately) cable to the electrical box is 5 ft.

PREPARE THE DOWNDRAFT



Installations ducting through front panel opening only:

1. Place the downdraft on its back on a table or flat work surface.
2. Loosen the HEX NUTS on the CLAMP CHANNEL and remove the FRONT PANEL COVER.



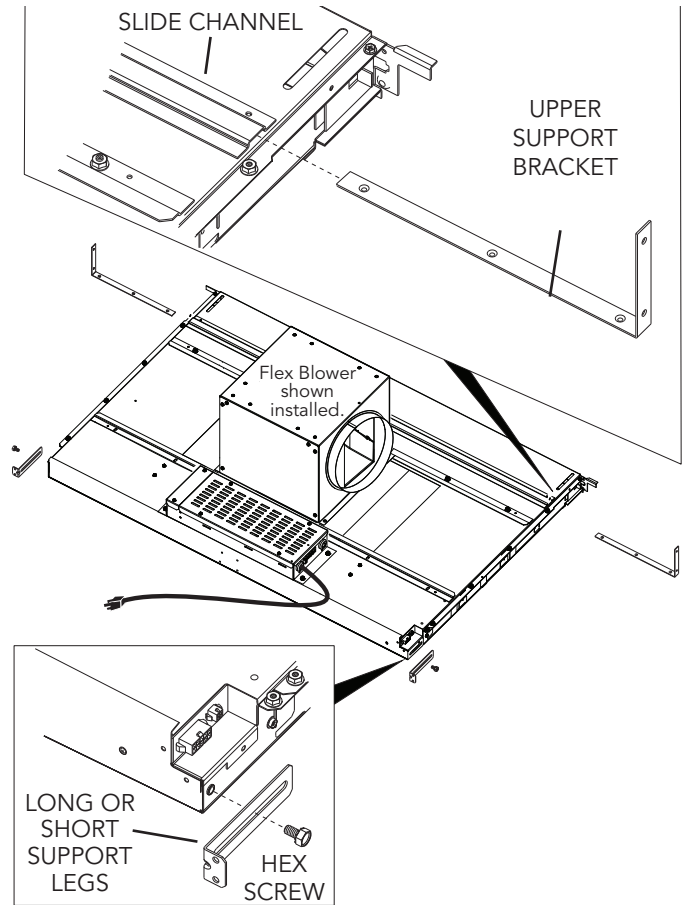
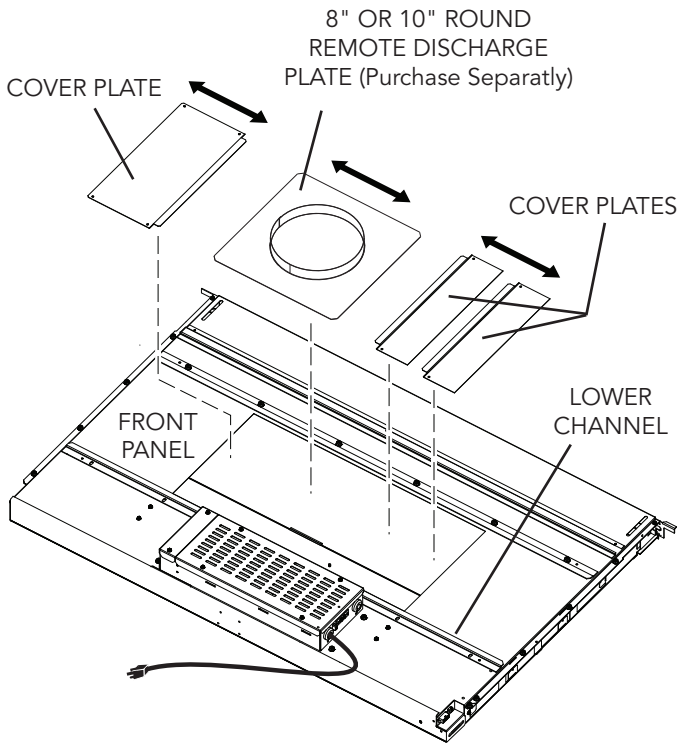
Installations using FLEX BLOWER only:

(Purchase Model VDVI600 Flex Blower separately.)

3. Determine its location on FRONT PANEL and whether it will discharge to the left, right, or down.

Use a combination of COVER PLATES (3" and/or 6" wide) to close the opening on side(s) of blower.

Slide the blower and cover plates between the LOWER CHANNEL and the clamp channel. Tighten the hex nuts to secure blower and panels in place.



Installations using FLEX BLOWER (in remote location) or REMOTE BLOWER only:

4. Use the **REMOTE DISCHARGE PLATE** and determine its location on **FRONT PANEL**.

Use a combination of **COVER PLATES** (3" and/or 6" wide) to close the opening on side(s) of remote discharge plate.

Slide the remote cover plate and cover plates between the **LOWER CHANNEL** and the clamp channel. Tighten the hex nuts to secure the plates in place.

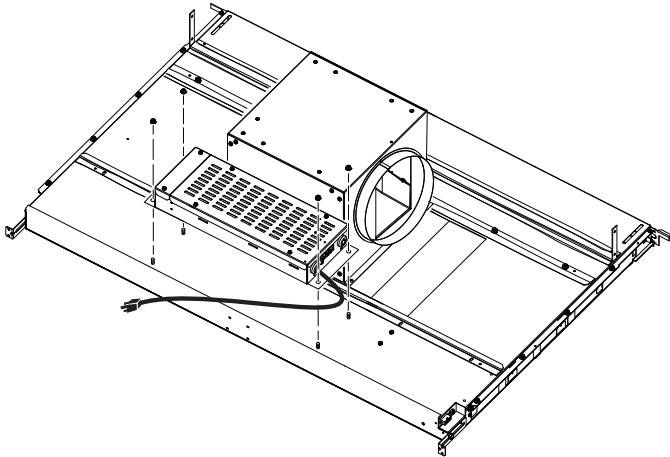
All Installations:

5. Slide **UPPER SUPPORT BRACKETS** into **SLIDE CHANNEL** at top left and right of unit.

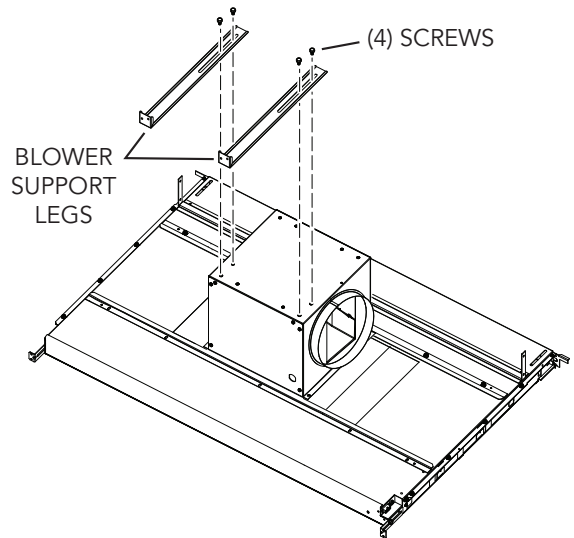
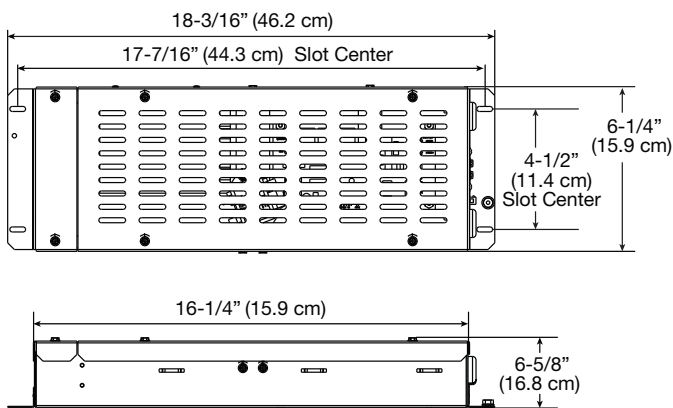
Attach **LONG OR SHORT SUPPORT LEGS** (depending upon cabinet height) to bottom sides of unit with **HEX SCREWS** provided. Do not tighten hex screws completely at this time.

Installations where ELECTRICAL PANEL needs to be mounted in a remote location only:

- Remove (4) HEX NUTS and ELECTRICAL PANEL. 5-ft. extension cables (purchase separately) may be needed to mount electrical panel in a remote location. Do not use more than 2 extension cables. Do not mount electrical panel with vent holes facing down.



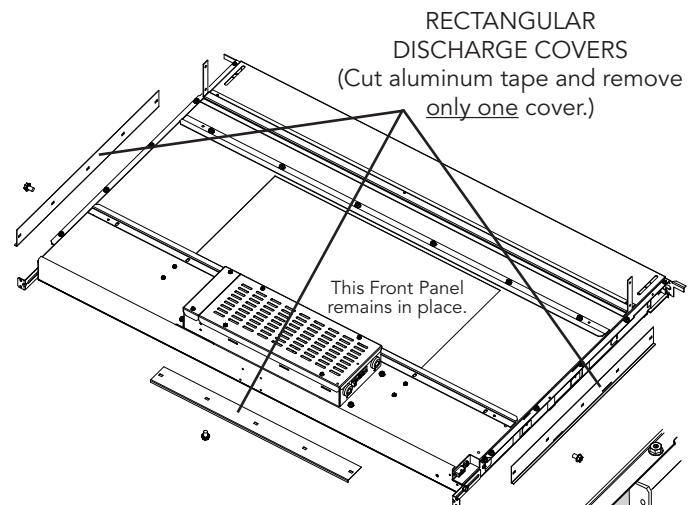
Electrical Panel Dimensions



Installations ducting through left, right or rear only:

(Requires purchase of 2" x 19" to 8" or 10" round transition and 2" x 19" rectangular duct cut to appropriate length.)

- Remove only one RECTANGULAR DISCHARGE COVER.
- Beneath the rectangular discharge cover just removed - Use pliers to bend (6) tabs outward 90°. Use these tabs to connect 2" x 19" rectangular ductwork or 2" x 19" to 8" or 10" round transition to housing when installing ductwork.

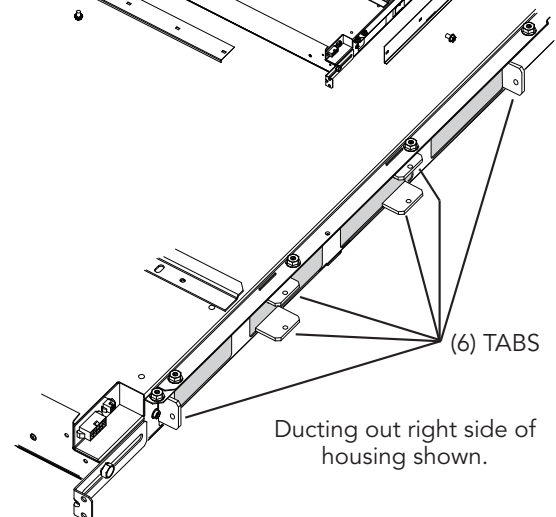


Installations using FLEX BLOWER only:

- Attach BLOWER SUPPORT LEGS with (4) SCREWS provided.

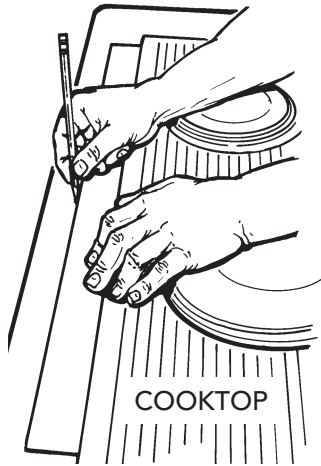


CAUTION: If flex blower will be mounted remotely: Do not use legs alone for support. It may be necessary to add extra support for the flex blower. Use mounting brackets supplied with the blower.



CUT COUNTERTOP OPENING

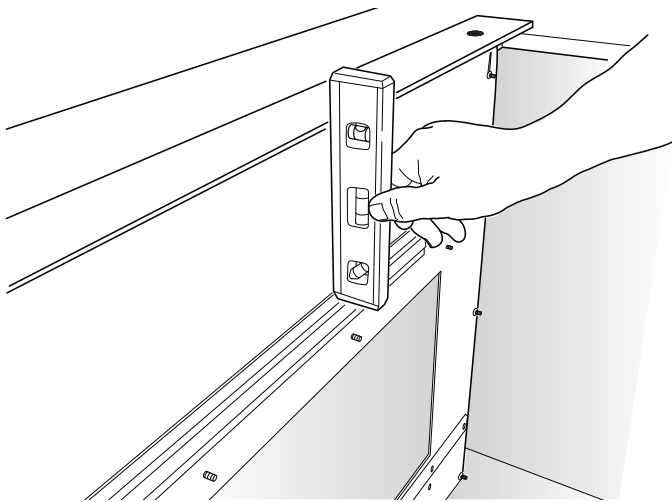
1. Lay out and cut the cooktop cut-out far enough FORWARD so downdraft will fit behind it.
2. Set cooktop in place and slide it as far forward as possible without exposing an gaps. Center and square it with edges of countertop.



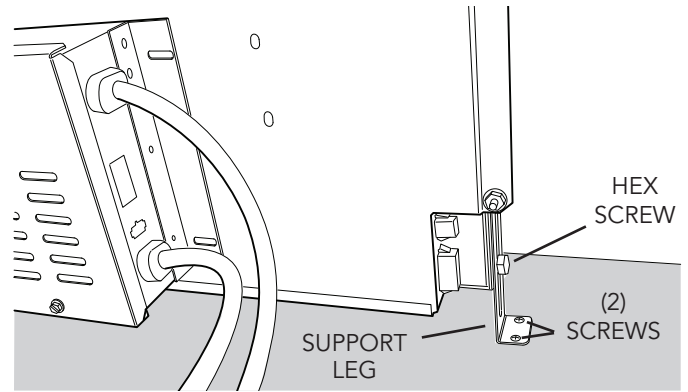
Template against back edge of cooktop.

3. Place the plastic template against the back flange of the cooktop or back edge of slide-in range countertop opening. Center the template. Trace around template to mark the downdraft opening.
4. Remove cooktop from countertop.
5. Cut downdraft opening. Be careful not to chip edges of countertop.

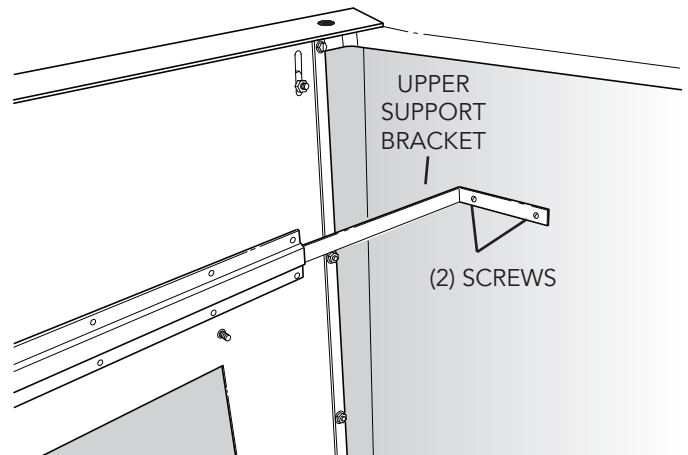
INSTALL HOUSING INTO CABINET



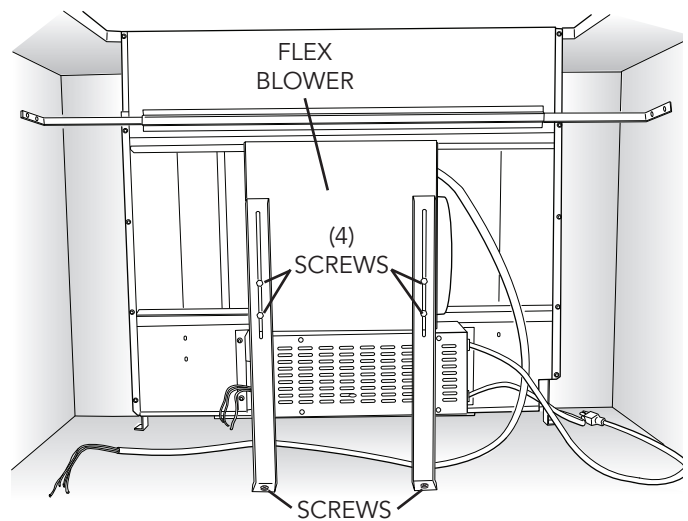
1. Remove cooktop.
2. Set housing into cabinet / countertop opening as far back as possible and make sure it is level.



3. Extend SUPPORT LEGS and attach to bottom of cabinet with (2) SCREWS through each leg. Tighten HEX SCREWS.



4. Extend UPPER SUPPORT BRACKETS and attached to sides of cabinet with (2) SCREWS through each bracket.



Installations using FLEX BLOWER only:

5. Loosen (4) SCREWS attaching BLOWER SUPPORT LEGS to FLEX BLOWER. Extend legs and secure them to bottom of cabinet with a SCREW through each bracket.

INSTALL DUCTWORK



CAUTION: Before cutting hole in cabinet for ductwork, check for interference with floor joists, wall studs, electrical wiring, or plumbing.

1. Cut hole in cabinet as well as holes in wall or floor as necessary.
2. Mount the roof or wall cap and work back towards the cabinet, attaching all **ductwork, elbows and transitions** as previously planned. Tape all ductwork connections to make them secure and air tight.
3. Connect **ductwork** (and transition, if required) to down-draft.

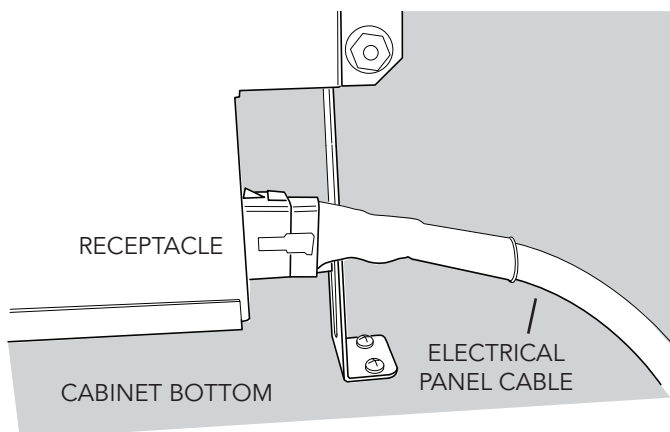
INSTALL ELECTRICAL WIRING

Installations using **FLEX BLOWER** only:



CAUTION: All electrical wiring should be done by a qualified person(s) in accordance with all applicable codes and standards.

1. Mount a standard wiring box, with 3-pronged receptacle, within reach of the downdraft's power cord.
2. Run appropriate power cable and connect it to receptacle.
3. Connect blower wires to wires in wiring box. Black to black, white to white, blue to blue, orange to orange, gray to red, and green to ground screw.
4. Replace wiring box cover.



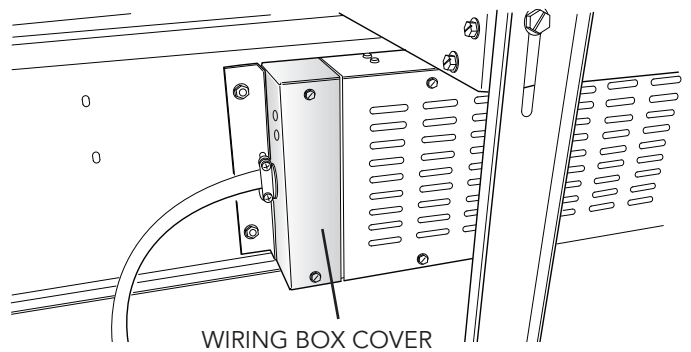
5. Plug **ELECTRICAL PANEL CABLE** into **RECEPTACLE** at bottom/right of downdraft housing.
6. Plug the downdraft's power cord into the outlet. Make sure that the power cord is routed away from the heat generated by the cooktop.

Installations using **REMOTE BLOWER** only:

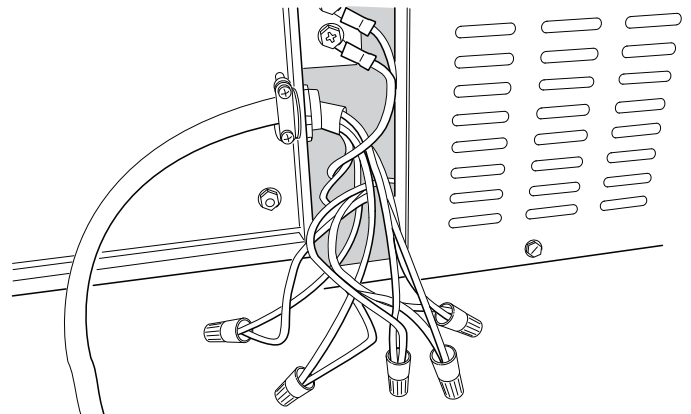


CAUTION: All electrical wiring should be done by a qualified person(s) in accordance with all applicable codes and standards.

1. Mount a standard wiring box, with 3-pronged receptacle, within reach of the downdraft's power cord.
2. Run appropriate power cable into cabinet and connect it to electrical box and receptacle.
3. These exterior or in-line blower can be used:
Models VDVE900, VDVE1200 - Exterior
120 VAC • 60 Hz • 6.0 A (max.)

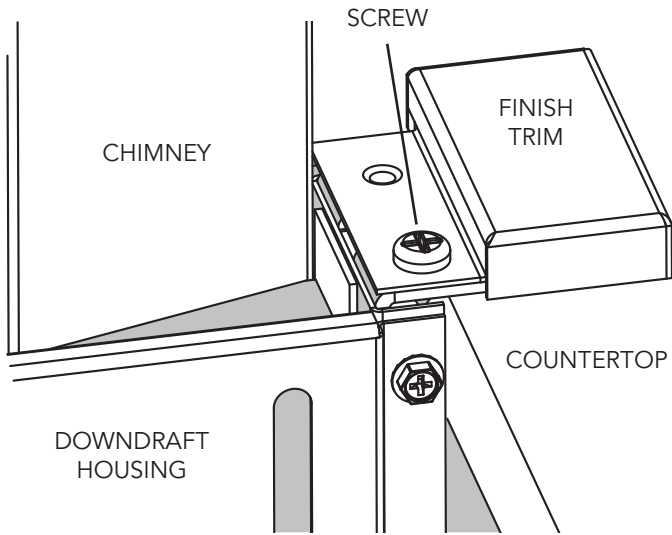


4. Run 2-wire plus ground power cable from the exterior or in-line blower to wiring box on adaptor plate. Remove **WIRING BOX COVER**.



5. Connect blower wires to power cable from exterior or in-line blower. Black to black, white to white, and green to ground screw.
6. Replace wiring box cover.
7. Plug **ELECTRICAL PANEL CABLE** into **RECEPTACLE** at bottom/right of downdraft housing.
8. Plug the downdraft's power cord into the outlet. Make sure that the power cord is routed away from the heat generated by the cooktop.

INSTALL FINISH TRIM



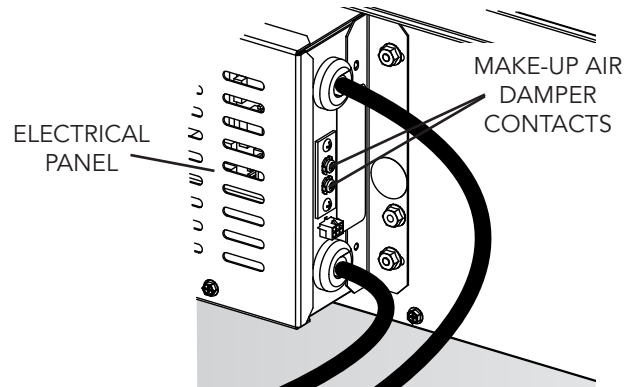
1. Attach FINISH TRIM to top/left and top/right of DOWNDRAFT HOUSING with screw provided.

INSTALL COOKING APPLIANCE

1. Align the cooking appliance with downdraft and fasten appliance in place following appliance instructions.

Note: Accurate alignment of cooking appliance and downdraft is necessary to ensure that there is no interference when air vent is raised and lowered. There should be a gap of 1/32" - 1/16" between the back of the cooktop and the front of the downdraft cover.

MAKE-UP AIR DAMPER (OPTIONAL)



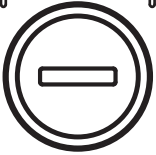
Connects to 2 CONTACTS on ELECTRICAL PANEL.

Compatible with G6MD and G8MD damper.

RANGE TRIM KIT (OPTIONAL)

Available for application with free-standing range - where gap is present between back of range and downdraft.

OPERATION



4-Speed Fan Speed Control

4-Speed Fan Speed Control

Press + button to increase fan speed.

Press - button to decrease fan speed.

After maximum speed is reached, press + button once more to turn off fan.



2-Level Task Light

2-Level Task Light

Press once for LOW setting.

Press 2x for HIGH setting. Icon will illuminate.

Press 3x to turn task light OFF.



30-Hour Filter Clean Reminder

30-Hour Filter Clean Reminder

After 30 hours of blower "ON" time, filter clean icon will blink continuously.

To reset, touch and hold icon for 2 or more seconds. Indicator will turn off.



Up / Down Button

Up / Down Button

To raise / lower chimney, touch up / down button. Any feature that is active will shut off when chimney is retracting. All functions will return to their previous settings when chimney is raised.

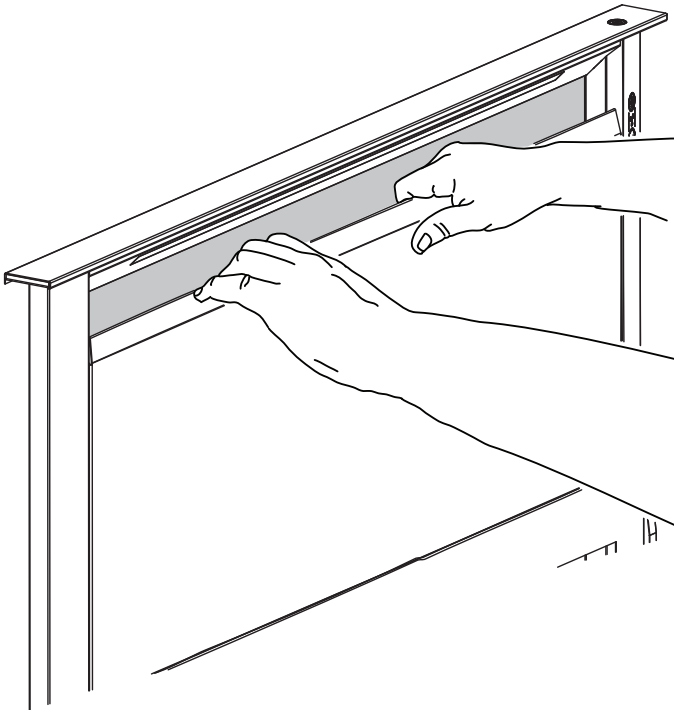
USE AND CARE



WARNING: Always disconnect electric power supply before cleaning and/or servicing unit.

Always turn the downdraft blower on before you begin cooking to establish an air flow in the kitchen. Let the blower run for a few minutes to clean the air after you turn the cooktop off. This will keep the whole kitchen cleaner and brighter.

Cleaning



To clean grease filters: Remove front panel and take out the (2) grease filters. Wash filters in a mild detergent solution or a dishwasher. Replace filters before using downdraft.

To clean inside chimney: Remove filters. Pull front panel up and out. Use a mild detergent. **DO NOT USE ABRASIVE CLOTH, STEEL WOOL PADS, OR SCOURING POWDERS.** Replace front panel and filters before using downdraft.

Servicing

It may be necessary to remove the downdraft blower system from the cabinet in order to service components such as the blower motor or air vent mechanism.

Disconnect power to the cooktop and remove it first. Reverse the steps under "INSTALL HOUSING INTO CABINET" to remove the downdraft from the cabinet.

SERVICE INFORMATION

Only authorized replacement parts may be used in performing service on the appliance.

All servicing should be referred to a qualified technician.

Contact Viking Range, LLC, 1-888-(845-4641), for the nearest service parts distributor in your area or write to:

VIKING RANGE, LLC
PREFERRED SERVICE
111 Front Street
Greenwood, Mississippi 38930 USA

Record the following information indicated below. You will need it if service is ever required.

Model number _____

Serial number _____

Date of purchase _____

Date installed _____

Dealer's name _____

Address _____

These installation instructions should remain with the unit for future reference.

WARRANTY

DOWNDRAFT WARRANTY ONE YEAR FULL WARRANTY

Downdrafts and all of their component parts, except as detailed below*†, are warranted to be free from defective materials or workmanship in normal residential use for a period of one (1) year from the date of original retail purchase. Viking Range, LLC, warrantor, agrees to repair or replace, at its option, any part which fails or is found to be defective during the warranty period.

***FULL NINETY (90) DAY COSMETIC WARRANTY:** Product is warranted to be free from cosmetic defects in materials or workmanship (such as scratches on stainless steel, paint/porcelain blemishes, etc.) for a period of ninety (90) days from the date of original retail purchase or closing date for new construction, whichever period is longer. Any defects must be reported to the selling dealer within ninety (90) days from date of original retail purchase. Viking Range, LLC uses high quality processes and materials available to produce all color finishes. However, slight color variation may be noticed because of the inherent differences in painted parts and porcelain parts as well as differences in kitchen lighting, product locations, and other factors. Therefore, this warranty does not apply to color variation attributable to such factors.

†FULL NINETY (90) DAY WARRANTY IN "RESIDENTIAL PLUS" APPLICATIONS: This full warranty applies to applications where use of the product extends beyond normal residential use, but the warranty period for products used in such applications is ninety (90) days. Examples of applications covered by this warranty are bed and breakfasts, fire stations, private clubs, churches, etc. Under this "Residential Plus" warranty, the product, its components and accessories are warranted to be free from defective material or workmanship for a period of ninety (90) days from the date of original retail purchase. This warranty excludes use of the product in all commercial locations such as restaurants, food service locations and institutional food service locations.

FIVE YEAR LIMITED WARRANTY ON VENTILATION MOTORS

Any ventilator motor which fails due to defective materials or workmanship (excluding cosmetic failures) in normal household use during the fourth through fifth year from the date of original retail purchase will be repaired or replaced, free of charge for the part itself, with the owner paying all other costs, including labor. This does not include ignition systems, burner bases, etc.

TERMS AND CONDITIONS

This warranty extends to the original purchaser of the product warranted hereunder and to each transferee owner of the product during the term of the warranty and applies to products purchased and located in the United States, Mexico, and the Caribbean (excluding Cuba, Dominican Republic, and Haiti). Products must be purchased in the country where service is requested. If the product or one of its component parts contains a defect or malfunction during the full warranty period after a reasonable number of attempts by the warrantor to remedy the defect or malfunction, the owner is entitled to either a refund or replacement of the product or its component part or parts. Replacement of a component part includes its free installation, except as specified under the limited warranty. Under the terms of this warranty, service must be performed by a factory authorized Viking Range, LLC service agent or representative. Service will be provided during normal business hours, and labor performed at overtime or premium rates shall not be covered by this warranty.

Owner shall be responsible for proper installation, providing reasonable and necessary maintenance, providing proof of purchase upon request, and making the appliance reasonably accessible for service. The return of the Owner Registration Card is not a condition of warranty coverage. You should, however, return the Owner Registration Card so that Viking Range, LLC can contact you should any question of safety arise which could affect you.

This warranty gives you specific legal rights, and you may also have other rights which may vary from jurisdiction to jurisdiction.

WHAT IS NOT COVERED BY THIS WARRANTY: This warranty shall not apply to damage resulting from abuse, failure to provide reasonable and necessary maintenance, accident, delivery, negligence, natural disaster, loss of electrical power to the product for any reason, alteration, outdoor use, improper installation, improper operation, or repair or service of the product by anyone other than an authorized Viking Range, LLC service agency or representative. This warranty does not apply to commercial usage.

LIMITATION OF REMEDIES AND DURATION OF IMPLIED WARRANTY OWNER'S SOLE AND EXCLUSIVE REMEDY FOR A CLAIM OF ANY KIND WITH RESPECT TO THIS PRODUCT SHALL BE THE REMEDIES SET FORTH ABOVE. VIKING RANGE IS NOT RESPONSIBLE FOR CONSEQUENTIAL OR INCIDENTAL DAMAGE, INCLUDING BUT NOT LIMITED TO FOOD OR MEDICINE LOSS, DUE TO PRODUCT FAILURE, WHETHER ARISING OUT OF BREACH OF WARRANTY, BREACH OF CONTRACT OR OTHERWISE. Some jurisdictions do not allow the exclusion or limitation of incidental or consequential damages, so the above limitation or exclusions may not apply to you. ANY IMPLIED WARRANTIES OF MERCHANTABILITY OR FITNESS FOR A PARTICULAR PURPOSE APPLICABLE TO THIS PRODUCT ARE LIMITED IN DURATION TO THE PERIOD OF COVERAGE OF THE APPLICABLE EXPRESS WRITTEN LIMITED WARRANTIES SET FORTH ABOVE. Some states do not allow limitations on how long an implied warranty lasts, so the above limitation may not apply to you.

WARRANTY SERVICE

To obtain warranty service, contact an authorized Viking Range, LLC service agent, or Viking Range, LLC 111 Front Street, Greenwood, Mississippi 38930, (888) 845-4641. Provide model and serial number and date of original purchase or closing date for a new construction. For the name of your nearest authorized Viking Range, LLC service agency, call Viking Range, LLC. **IMPORTANT:** Retain proof of original purchase to establish warranty period.

Specifications subject to change without notice.

VIKING RANGE, LLC
111 Front Street
Greenwood, Mississippi 38930 USA
(662) 455-1200

Utilisation/Installation GUIDE



SÉRIE 5

Hottes arrière encastrées

VDD5300/CVDD5300

VDD5360/CVDD5360

VDD5450/CVDD5450

VDD5480/CVDD5480

MODÈLE	LARGEUR	VENTILATEUR (vendu séparément)
VDD5300/CVDD5300	76,2 cm (30 po) de largeur	VDVI600 intérieur ou VDVE900 extérieur
VDD5360/CVDD5360	91,4 cm (36 po) de largeur	VDVI600 intérieur ou VDVE900 extérieur
VDD5450/CVDD5450	114,3 cm (45 po) de largeur	VDVI600 intérieur ou VDVE900 extérieur, VDVE1200 extérieur
VDD5480/CVDD5480	121,9 cm (48 po) de largeur	VDVI600 intérieur ou VDVE900 extérieur, VDVE1200 extérieur

LIRE CES DIRECTIVES ET LES CONSERVER

AVERTISSEMENT

OBSERVEZ LES DIRECTIVES CI-DESSOUS AFIN DE RÉDUIRE LES RISQUES D'INCENDIE, DE CHOC ÉLECTRIQUE OU DE BLESSURES CORPORELLES :

1. N'utilisez cet appareil que de la manière prévue par le fabricant. Si vous avez des questions, communiquez avec le fabricant à l'adresse ou au numéro de téléphone indiqués dans la garantie.
2. Avant de procéder à l'entretien ou au nettoyage de l'appareil, coupez l'alimentation du panneau électrique et verrouillez l'interrupteur principal afin d'empêcher que le courant ne soit accidentellement rétabli. S'il est impossible de verrouiller l'interrupteur principal, fixez solidement un message d'avertissement, par exemple une étiquette, sur le panneau électrique.
3. La pose de l'appareil et les travaux d'électricité doivent être effectués par des personnes qualifiées conformément à la réglementation en vigueur, notamment les normes de la construction ayant trait à la protection contre les incendies.
4. Pour éviter les refoulements, l'apport d'air doit être suffisant pour brûler les gaz produits par les appareils à combustion et les évacuer dans le conduit de fumée (cheminée). Respectez les directives du fabricant de l'appareil de chauffage et les normes de sécurité, notamment celles publiées par la National Fire Protection Association (NFPA), l'American Society for Heating, Refrigeration and Air Conditioning Engineers (ASHRAE) et les codes des autorités locales.
5. Veillez à ne pas endommager le câblage électrique ou d'autres équipements non apparents lors de la découpe ou du perçage du mur ou du plafond.
6. Les ventilateurs canalisés doivent toujours rejeter l'air à l'extérieur.
7. Pour réduire les risques d'incendie, utilisez seulement des conduits en métal.
8. N'installez pas ce produit en plaçant son interrupteur directement derrière un brûleur ou un élément. La distance minimale entre l'interrupteur et le bord du brûleur est de 10,2 cm (4 pouces).
9. Ne portez jamais de vêtements ou accessoires amples lors de l'utilisation de cet appareil. Ils peuvent s'enflammer en raison des brûleurs ou des éléments de la surface de cuisson.
10. Ne laissez jamais un enfant seul ou sans surveillance aux environs de cet appareil lors de son utilisation.
11. Cet appareil doit être relié à une mise à la terre.
12. Pour réduire les risques d'incendie et de choc électrique, il est recommandé d'installer cette hotte sur un circuit séparé de l'appareil de cuisson.

POUR RÉDUIRE LES RISQUES D'INCENDIE CAUSÉS PAR DE LA GRAISSE SUR LE PLAN DE CUISSON :

- a) Ne laissez jamais les éléments de surface allumés à haute température. Les débordements peuvent causer de la fumée et occasionner des écoulements de graisse inflammables. L'huile doit être chauffée graduellement à basse ou à moyenne température.
- b) Mettez toujours la hotte en marche lors de la cuisson à haute température ou lors de la cuisson d'aliments à flamber.
- c) Nettoyez souvent la hotte. Ne laissez pas la graisse s'accumuler sur le ventilateur ou les filtres.
- d) Utilisez des casseroles de dimension appropriée. Utilisez toujours une batterie de cuisine adaptée à la dimension de la surface chauffante.

AVERTISSEMENT

OBSERVEZ LES CONSIGNES SUIVANTES DE MANIÈRE À RÉDUIRE LES RISQUES DE BLESSURES CORPORELLES EN CAS D'INCENDIE CAUSÉ PAR DE LA GRAISSE SUR LE PLAN DE CUISSON* :

1. ÉTOUFFEZ LES FLAMMES à l'aide d'un couvercle étanche, d'une tôle à biscuits ou d'un plateau en métal puis éteignez le brûleur. FAITES ATTENTION DE NE PAS VOUS BRÛLER. SI LES FLAMMES NE S'ÉTEIGNENT PAS IMMÉDIATEMENT, QUITTEZ LES LIEUX ET APPELEZ LE SERVICE DES INCENDIES.
2. NE SOULEVEZ JAMAIS UNE CASSEROLE EN FLAMMES - vous pourriez vous brûler.
3. N'UTILISEZ PAS D'EAU, ni de serviettes ou de linges mouillés – une violente explosion de vapeur pourrait survenir.
4. Utilisez un extincteur SEULEMENT si :
 - A. Vous savez qu'il est de classe ABC et vous connaissez déjà son mode de fonctionnement.
 - B. L'incendie n'est pas très important et ne se propage pas.
 - C. Les pompiers ont été avisés.
 - D. Vous pouvez combattre l'incendie en faisant dos à une sortie.

* Conseils tirés de la publication de la NFPA « Kitchen Fire Safety Tips ».

ATTENTION

1. POUR RÉDUIRE LES RISQUES D'INCENDIE OU DE BLESSURES, NE PAS INSTALLER AVEC UN APPAREIL DE CUISSON COMPORTANT UNE GRILLE.
2. Pour usage intérieur seulement.
3. Pour ventilation générale uniquement. N'utilisez pas cet appareil pour évacuer des matières ou des vapeurs dangereuses ou explosives.
4. Pour éviter d'endommager les roulements du moteur, de déséquilibrer les pales ou de les rendre bruyantes, débarrassez l'appareil de la poussière de plâtre, de construction, etc.
5. Nettoyez fréquemment les filtres et les surfaces graisseuses.
6. Ne réparez ou ne remplacez aucune pièce de cet appareil à moins que ce manuel le recommande précisément. Tout autre travail de réparation doit être confié à un technicien qualifié.
7. Veuillez lire l'étiquette de spécifications du produit pour obtenir plus de renseignements, notamment sur les exigences.
8. Pour réduire les risques d'incendie et de choc électrique, n'installez cette hotte encastrée qu'avec les modèles de ventilateur indiqués ci-dessous. D'autres ventilateurs ne peuvent pas leur être substitués. (Ventilateurs vendus séparément.)

Ventilateur Flex de modèle VDVI600
Ventilateurs extérieurs de modèles VDVE900, VDVE1200

INSTALLATEUR :
Conservez ce manuel pour l'inspection électrique et le propriétaire.

CONTENU

Ces pièces sont incluses avec le boîtier de hotte encastrée :

- 1 - Sac de pièces
- 1 - Ensemble de bordures
- 4 - Pieds de support
- 1 - Panneau électrique
- 2 - Supports

PLANIFICATION

NE PAS INSTALLER AVEC UN APPAREIL DE CUISSON COMPORTANT UNE GRILLE.

En raison de sa polyvalence, ce système de hotte encastrée peut servir à évacuer les contaminants aériens lorsque vous cuisinez avec une variété d'appareils de cuisson au gaz ou à l'électricité - dont les surfaces de cuisson, cuisinières, cuisinières coulissantes et cuisinières autonomes.

Elle peut être installée dans un îlot, une péninsule ou un mur ordinaire. Le ventilateur (vendu séparément) et le panneau électrique peuvent être fixés à la hotte encastrée, ou installés à l'intérieur d'une armoire ou à distance dans un endroit pratique.

Cette unité s'installe facilement en suivant ces étapes de base :

- Découpez l'ouverture dans le comptoir.
- Installez l'unité dans l'armoire.
- Installez le ventilateur et le panneau électrique.
- Raccordez les conduits et le câblage électrique.
- Posez la bordure et la porte.
- Installez l'appareil de cuisson.

Remarque : le débit d'air élevé de cet appareil peut affecter la flamme de certains types de surface de cuisson au gaz. Ce phénomène est NORMAL et ne causera aucun dommage mais il peut être corrigé en diminuant le régime du ventilateur.

SPÉCIFICATIONS ÉLECTRIQUES

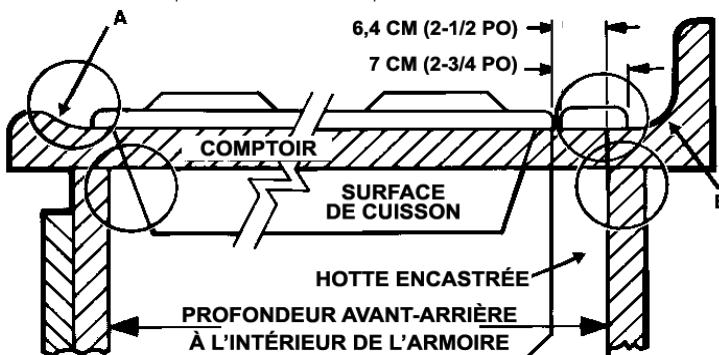
Modèle VDVI600 - Flex interne :
120 VCA • 60 Hz • 3,0 A

Modèles VDVE900, VDVE1200 - extérieurs :
120 VCA • 60 Hz • 6,0 A (max.)

PRISE DES MESURES

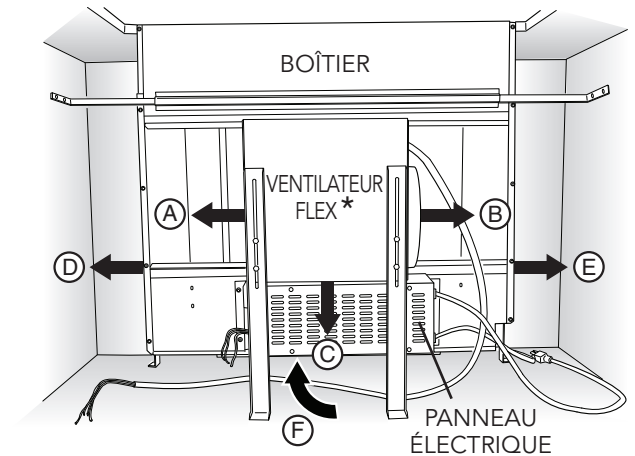
1. Consultez les directives d'installation de la surface de cuisson pour les dimensions de l'ouverture à découper dans le comptoir et les dimensions de l'armoire. Toutefois, il est recommandé que l'armoire soit plus grande que nécessaire pour faciliter l'installation.
2. La profondeur de la surface de cuisson peut varier grandement d'un produit à un autre. Il se peut que la pose de ces deux appareils soit relativement serrée.

Faites particulièrement attention aux nuisances possibles indiquées ci-dessous. Un comptoir avec (A) une lèvre soulevée à l'avant ou (B) un dossier risque de ne laisser une surface plane insuffisante pour l'installation. Veuillez noter que le comptoir doit comporter une partie plane de 7 cm (2-3/4 po) derrière le plan de cuisson et qu'une distance de 6,4 cm (2-1/2 po) est nécessaire entre le bord arrière du plan de cuisson et la paroi arrière intérieure de l'armoire.



Remarque : Enlevez la pellicule protectrice et les matériaux d'emballage avant l'utilisation. Pour enlever la pellicule protectrice et les matériaux d'emballage, soulevez le boîtier du ventilateur et retirez le panneau avant pour accéder à la zone du filtre.

PLANIFICATION DE LA POSE DES CONDUITS



* Les ventilateurs installés à distance utilisent une plaque de sortie pour conduits ronds de 20,3 cm (8 po) ou de 25,4 cm (10 po) au lieu d'un ventilateur Flex.

1. Le système de hotte encastrée est conçu pour utiliser des conduits ronds de 20,3 cm (8 po) avec un ventilateur Flex ou des conduits ronds de 25,4 cm (10 po) avec un ventilateur installé à distance. (Ventilateur vendu séparément.) Six (6) raccords de sortie sont disponibles - avec des possibilités d'ajustement latéral pour un alignement précis du conduit :

A = 20,3 cm (8 po) rond, sortie à gauche, ventilateur Flex

B = 20,3 cm (8 po) rond, sortie à droite, ventilateur Flex

C = 20,3 cm (8 po) rond, sortie vers le bas, ventilateur Flex (Le panneau électrique doit être posé à distance)

D = 4,7 cm x 48,3 cm (1-7/8 po x 19 po), sortie à gauche du boîtier vers le ventilateur éloigné ou ventilateur Flex éloigné. Utiliser une transition de 4,7 cm x 48,3 cm (1-7/8 po x 19 po) à 20,3 cm (8 po) rond, ou de 4,7 cm x 48,3 cm (1-7/8 po x 19 po) à 25,4 cm (10 po) rond, ou un conduit de 4,7 cm x 48,3 cm (1-7/8 po x 19 po) selon le cas.

E = 4,7 cm x 48,3 cm (1-7/8 po x 19 po), sortie à droite du boîtier vers le ventilateur éloigné ou ventilateur Flex éloigné. Utiliser une transition de 4,7 cm x 48,3 cm (1-7/8 po x 19 po) à 20,3 cm (8 po) rond, ou de 4,7 cm x 48,3 cm (1-7/8 po x 19 po) à 25,4 cm (10 po) rond, ou un conduit de 4,7 cm x 48,3 cm (1-7/8 po x 19 po) selon le cas.

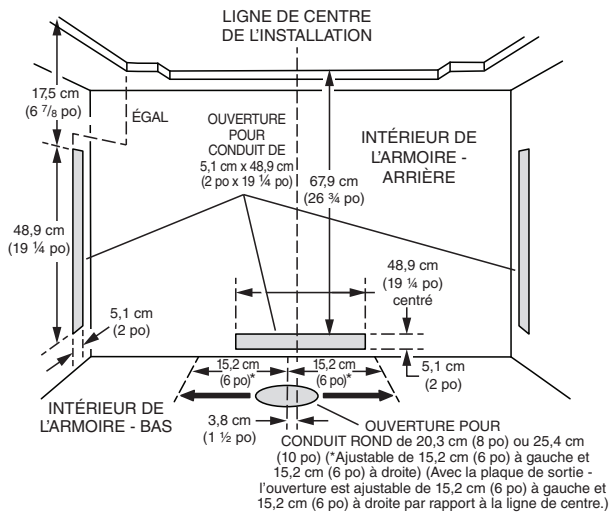
F = 4,7 cm x 48,3 cm (1-7/8 po x 19 po), sortie arrière du boîtier vers le ventilateur éloigné ou ventilateur Flex éloigné. Utiliser une transition de 4,7 cm x 48,3 cm (1-7/8 po x 19 po) à 20,3 cm (8 po) rond, ou de 4,7 cm x 48,3 cm (1-7/8 po x 19 po) à 25,4 cm (10 po) rond, ou un conduit de 4,7 cm x 48,3 cm (1-7/8 po x 19 po) selon le cas.

2. Pour la meilleure performance : Choisissez l'option qui permet l'utilisation des conduits les plus courts possible et un nombre minimum de coudes et de transitions. Vérifiez l'emplacement des solives du plancher, des montants des murs, des fils électriques et de la plomberie pour éviter les nuisances éventuelles.

PLANIFICATION DE LA DÉCOUPE DU COMPTOIR



ATTENTION : AVANT DE DÉCOUPER L'OUVERTURE DES CONDUITS DANS L'ARMOIRE, vérifiez que les solives du plancher, les montants des murs, les fils électriques et la plomberie ne présentent aucune nuisance.



Utilisez les dimensions indiquées dans l'illustration ci-dessus pour planifier l'accès des conduits dans l'armoire. En règle générale, un conduit rectangulaire de 5,1 cm x 48,3 cm (2 po x 19 po) est utilisé au travers de la gauche, la droite et l'arrière de l'armoire - alors qu'un conduit rond de 20,3 cm (8 po) est utilisé à travers le bas de l'armoire.

Pour une sortie à gauche, à droite ou à l'arrière :
Prévoir au moins 45,7 cm (18 po) pour la transition et le coude ou le ventilateur.

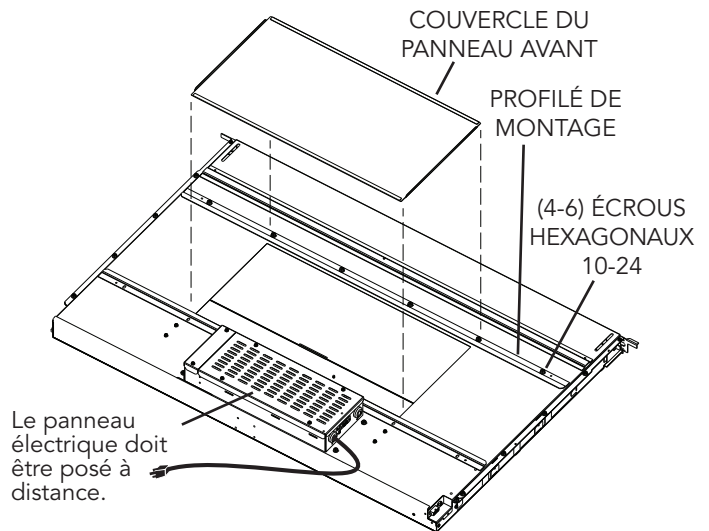
Pour une sortie à gauche ou à droite :
Une armoire de 76,2 cm (30 po) de profondeur est recommandée pour un alignement adéquat avec le ventilateur Flex. Le ventilateur Flex peut être fixé à la paroi arrière de l'armoire ou à une plateforme ou un cadre (non fourni) appuyé sur la base de l'armoire. (Consulter les instructions du ventilateur Flex).

Une armoire de 61 à 76,2 cm (24 à 30 po) de profondeur est nécessaire selon le type d'appareil de cuisson.

PLANIFICATION DU CÂBLAGE

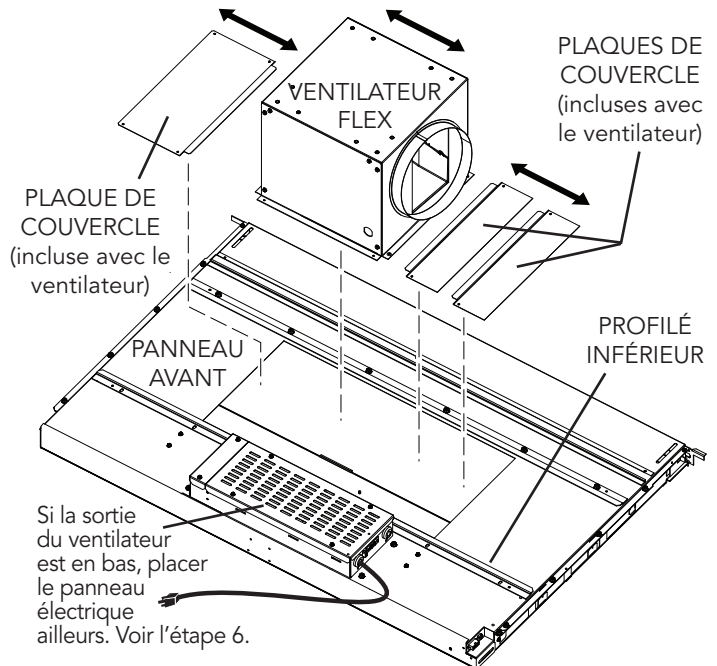
1. Cette hotte encastrée utilisant un ventilateur Flex (vendu séparément) consomme 3,0 A et exige un circuit de 120 VCA, 60 Hz. Si un ventilateur est installé à distance (vendu séparément), le système consomme 6,0 A et exige un circuit de 120 VCA, 60 Hz.
2. La hotte comporte un cordon électrique de 45,7 cm (18 po) de longueur muni d'une fiche à trois broches. Prévoyez l'installation d'une prise de courant permettant de brancher le cordon de l'appareil.
3. Installez la boîte électrique conformément aux codes locaux.
4. La longueur du câble entre le boîtier électrique et la hotte est de 50,8 cm (20 po).
5. La longueur du câble du ventilateur (vendu séparément) jusqu'au boîtier électrique est de 1,5 m (5 pi).

PRÉPARATION DE LA HOTTE ENCASTRÉE



Conduit installé à travers l'ouverture du panneau avant seulement :

1. Placez la hotte encastrée sur le dos sur une table ou une surface de travail plane.
2. Desserrez les ÉCROUS HEXAGONAUX du PROFILÉ DE MONTAGE et enlevez le COUVERCLE DU PANNEAU AVANT.



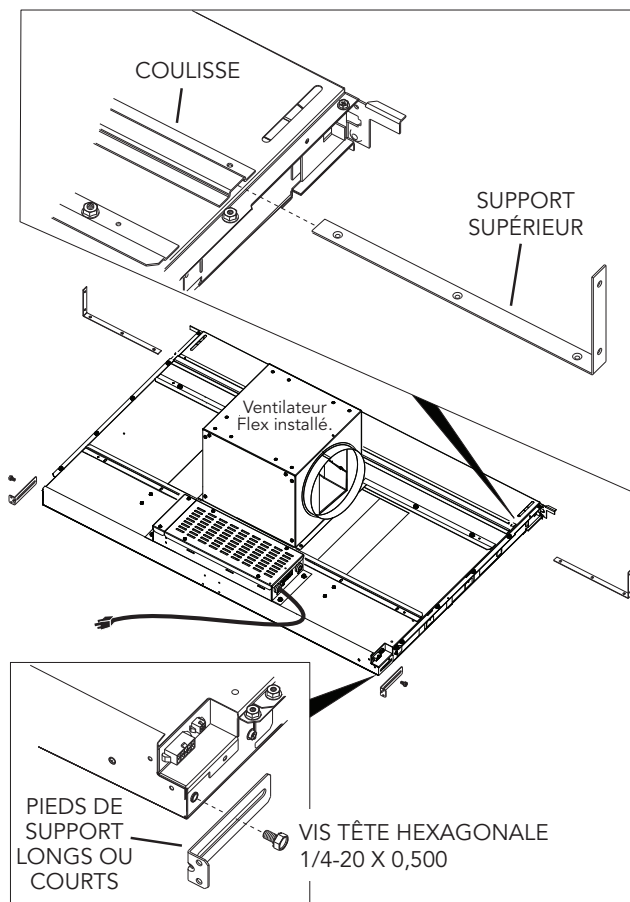
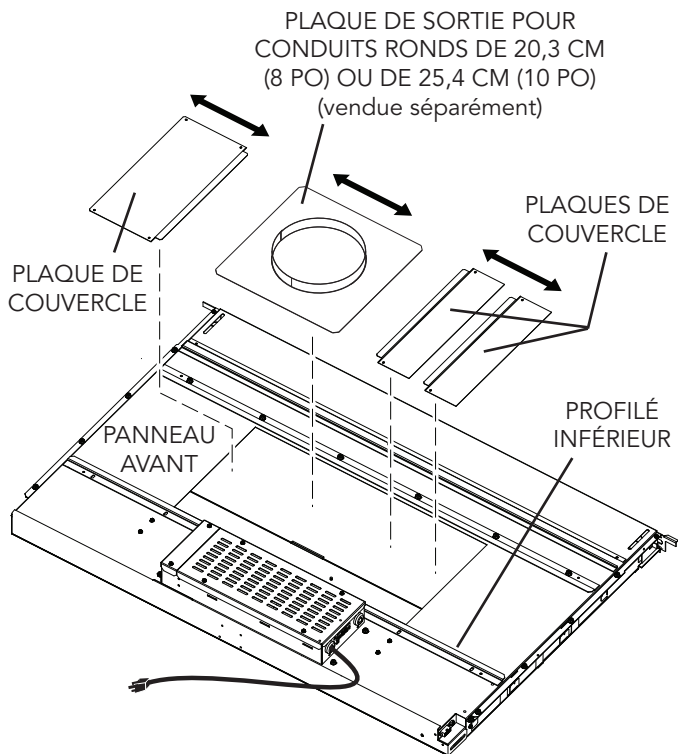
Installations avec VENTILATEUR FLEX seulement :

(Acheter un ventilateur Flex modèle VDVI600 séparément.)

3. Déterminez son emplacement sur le PANNEAU AVANT et si la sortie se fera à gauche, à droite ou vers le bas.

Utilisez une combinaison de PLAQUES DE COUVERCLE de 7,6 cm (3 po) ou de 15,2 cm (6 po) de largeur pour fermer l'ouverture sur le ou les côtés du ventilateur.

Glissez le ventilateur et les plaques de couvercle entre le PROFILÉ INFÉRIEUR et le profilé de montage. Serrez les écrous hexagonaux pour fixer le ventilateur et les panneaux en place.



Installations avec VENTILATEUR FLEX (à distance) ou VENTILATEUR À DISTANCE seulement :

- Utilisez une PLAQUE DE SORTIE À DISTANCE et déterminez son emplacement sur le PANNEAU AVANT.

Utilisez une combinaison de PLAQUES DE COUVERCLE de 7,6 cm (3 po) ou de 15,2 cm (6 po) de largeur pour fermer l'ouverture sur le ou les côtés de la plaque de sortie.

Glissez la plaque de sortie et les plaques de couvercle entre le PROFILÉ INFÉRIEUR et le profilé de montage. Serrez les écrous hexagonaux pour fixer les plaques en place.

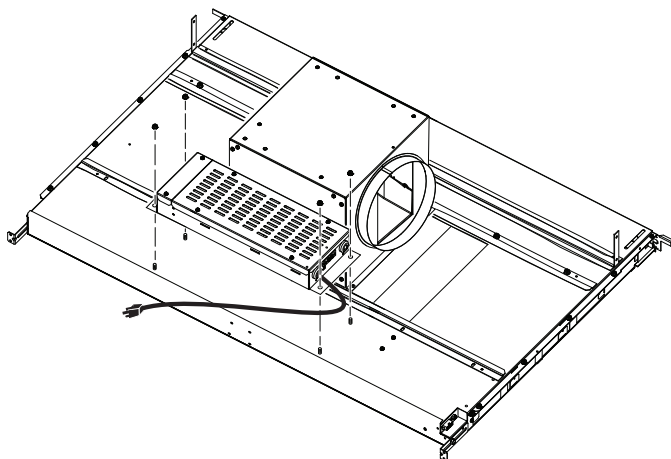
Toutes les installations :

- Glissez les SUPPORTS SUPÉRIEURS dans la COULISSE en haut à gauche et à droite de l'unité.

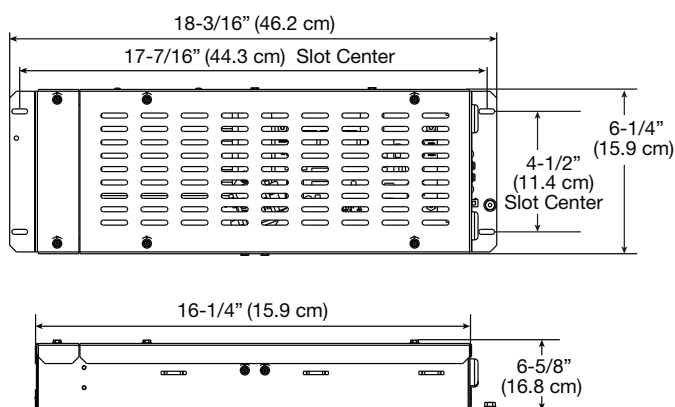
Fixez les PIEDS DE SUPPORT COURTS OU LONGS (selon la hauteur de l'armoire) au bas de l'unité sur les côtés à l'aide des VIS HEXAGONALES fournies. Ne serrez pas complètement ces vis à cette étape-ci.

Installations dans lesquelles le PANNEAU ÉLECTRIQUE doit être monté à distance seulement :

6. Enlevez les (4) ÉCROUS HEXAGONAUX et le PANNEAU ÉLECTRIQUE. Des câbles de rallonge de 1,5 m (5 pi) (vendus séparément) peuvent être nécessaires pour monter le panneau électrique à distance. N'utilisez pas plus de deux câbles de rallonge. Ne montez pas le panneau électrique avec les trous d'aération vers le bas.



Dimensions du panneau électrique

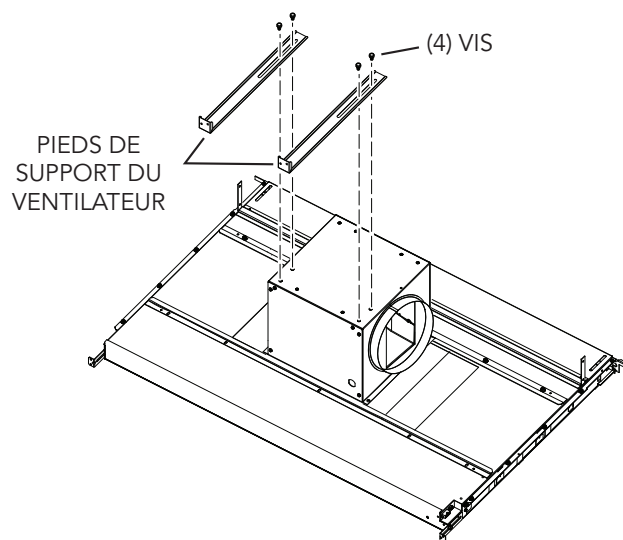


Installations avec VENTILATEUR FLEX seulement :

7. Fixez les PIEDS DE SUPPORT DU VENTILATEUR à l'aide des (4) VIS fournies.



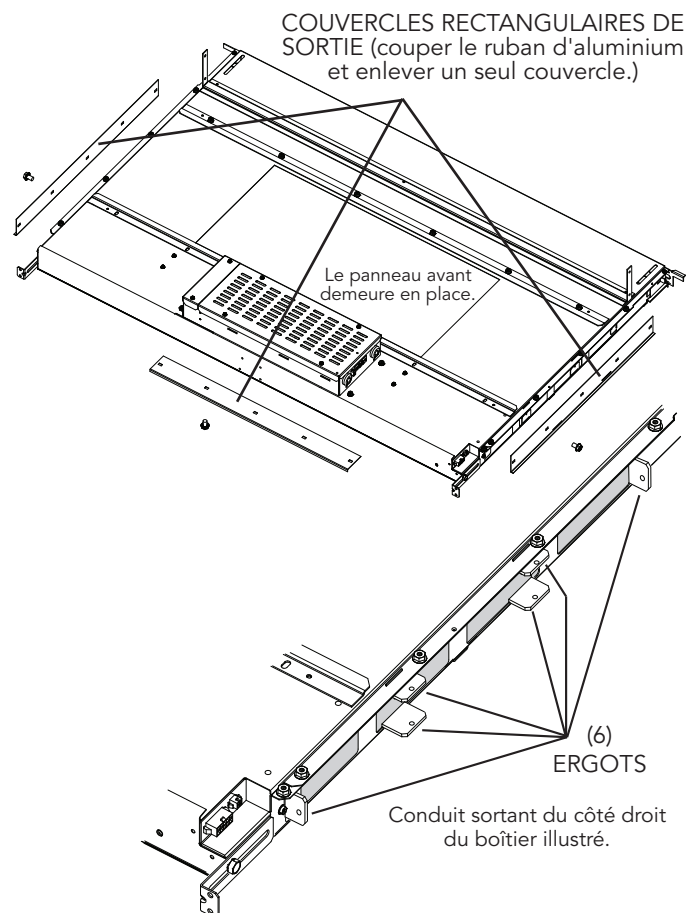
ATTENTION : Si le ventilateur Flex doit être monté à distance : N'utilisez pas seulement les pieds comme supports. Il peut être nécessaire d'ajouter d'autres supports au ventilateur. Utilisez les profilés de montage fournis avec le ventilateur.



Installations avec conduit à gauche, à droite ou à l'arrière seulement :

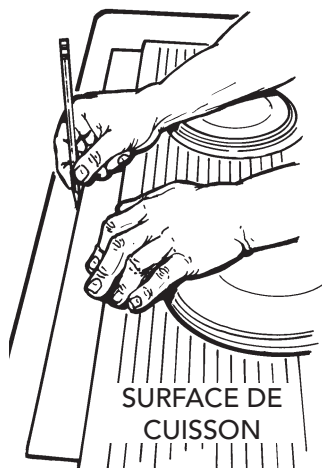
(Exige l'achat d'un conduit de transition de 5 cm x 48,3 cm (2 po x 19 po) à 20,3 cm (8 po) ou 25,4 cm (10 po) rond et la coupe du conduit de 5 cm x 48,3 cm (2 po x 19 po) à la longueur voulue.)

8. N'enlevez qu'un seul COUVERCLE RECTANGULAIRE DE SORTIE.
9. Sous le couvercle rectangulaire que vous venez d'enlever, repliez avec des pinces six (6) ergots vers l'extérieur à 90°. Utilisez ces ergots pour raccorder le conduit rectangulaire de 5 cm x 48,3 cm (2 po x 19 po) ou la transition ronde de 20,3 cm (8 po) ou de 25,4 cm (10 po) sur le boîtier lors de la pose du conduit.



DÉCOUPER L'OUVERTURE DU COMPTOIR

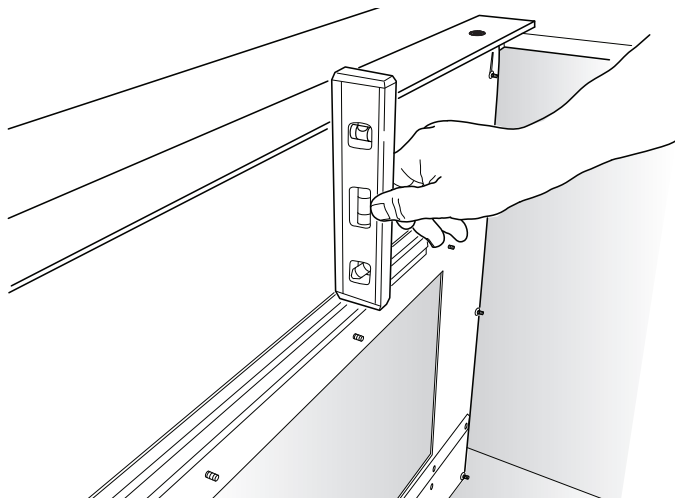
1. Tracer et découper l'ouverture de la surface de cuisson suffisamment vers l'AVANT de sorte que la hotte puisse s'encaster derrière.
2. Disposez la surface de cuisson en place et glissez-la le plus possible vers l'avant sans qu'aucun écart ne soit visible. Centrez-la et vérifiez son équerre avec les bords du comptoir.



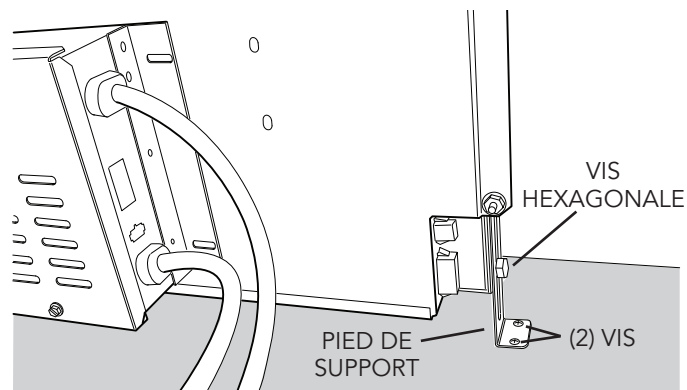
Gabarit contre le bord arrière du comptoir.

3. Placez le gabarit en plastique contre la bordure arrière de la surface de cuisson ou contre le bord arrière de l'ouverture de la cuisinière encastrable. Centrez le gabarit. Tracez le pourtour du gabarit pour marquer l'ouverture de la hotte encastrée.
4. Retirez la surface de cuisson du comptoir.
5. Découpez l'ouverture de la hotte. Prenez garde de ne pas ébarber les bords du comptoir.

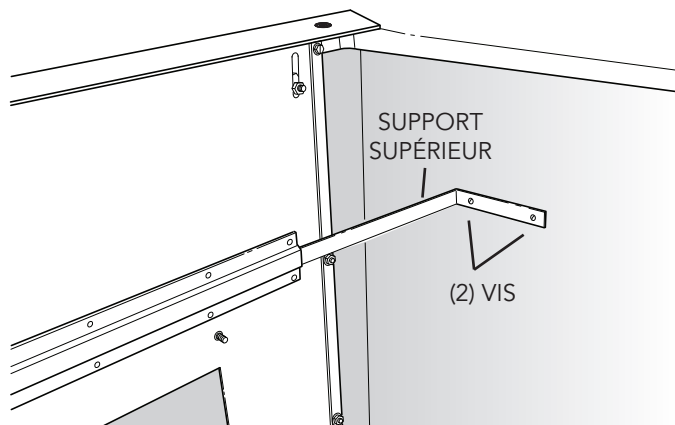
INSTALLER LE BOÎTIER DANS L'ARMOIRE



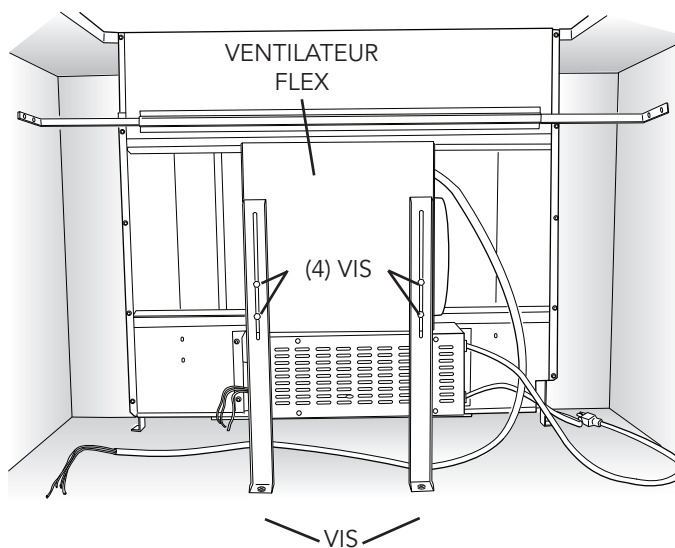
1. Enlevez la surface de cuisson.
2. Placez le boîtier dans l'armoire et l'ouverture du comptoir aussi loin que possible vers l'arrière et assurez-vous qu'il est de niveau.



3. Allongez les PIEDS DE SUPPORT et fixez-les au bas de l'armoire avec (2) VIS dans chaque pied. Serrez les VIS HEXAGONALES.



4. Allongez les SUPPORTS SUPÉRIEURS et fixez-les sur les côtés de l'armoire avec (2) VIS dans chaque support.



Installations avec VENTILATEUR FLEX seulement :

5. Desserrez les (4) VIS retenant les PIEDS DE SUPPORT DU VENTILATEUR sur le VENTILATEUR FLEX. Allongez les pieds et fixez-les au bas de l'armoire avec une VIS dans chacun.

POSE DES CONDUITS



ATTENTION : Avant de découper l'ouverture des conduits dans l'armoire, vérifiez que les solives du plancher, les montants des murs, les fils électriques et la plomberie ne présentent aucune nuisance.

1. Découpez les ouvertures dans l'armoire ainsi que dans les murs ou le plancher, selon le cas.
2. Installez le capuchon de toit et, tout en revenant vers l'armoire, posez tous les conduits, coudes et transitions prévus. Étanchez tous les joints avec du ruban adhésif.
3. Raccordez le conduit (et la transition, s'il y a lieu) à la hotte encastrée.

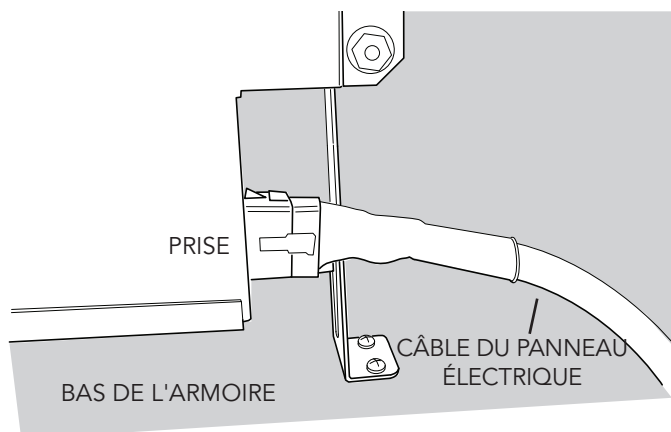
CÂBLAGE

Installations avec VENTILATEUR FLEX seulement :



ATTENTION : Les travaux d'électricité doivent être effectués par des personnes qualifiées en respectant les codes et les normes en vigueur.

1. Posez une boîte électrique standard, avec une prise pour fiches à trois lames accessible pour le cordon de la hotte.
2. Acheminez le fil d'alimentation électrique approprié et connectez-le à la prise de courant.
3. Connectez les fils du ventilateur aux fils du boîtier de câblage. Connectez le fil noir avec le noir, le blanc avec le blanc, le bleu avec le bleu, le orange avec le orange, le gris avec le rouge et le vert avec la vis de terre.
4. Remplacez le couvercle du boîtier de câblage.



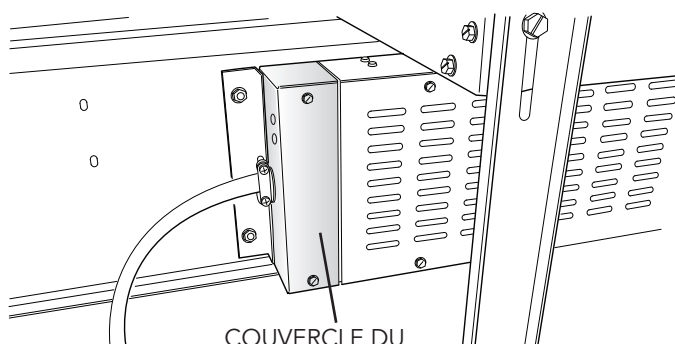
5. Branchez le **CÂBLE DU PANNEAU ÉLECTRIQUE** dans la **PRISE** en bas à droite du boîtier de la hotte.
6. Branchez le cordon électrique de la hotte dans la prise. Assurez-vous que le cordon électrique passe loin de la chaleur produite par la surface de cuisson.

Installations avec VENTILATEUR À DISTANCE seulement :

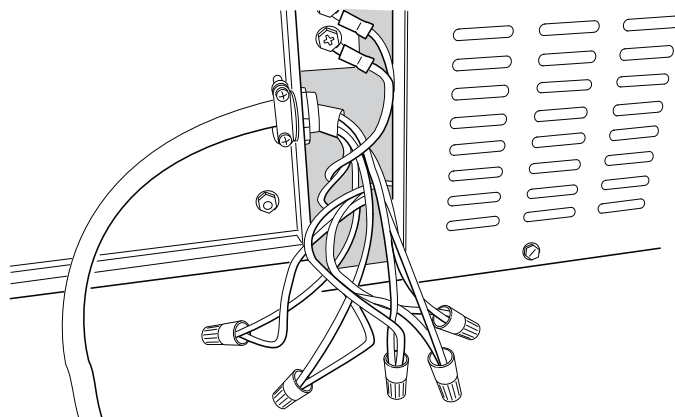


ATTENTION : Les travaux d'électricité doivent être effectués par des personnes qualifiées en respectant les codes et les normes en vigueur.

1. Posez une boîte électrique standard, avec une prise pour fiches à trois lames accessible pour le cordon de la hotte.
2. Acheminez le fil d'alimentation électrique approprié dans l'armoire et connectez-le à la boîte électrique et à la prise de courant.
3. Vous pouvez utiliser les ventilateurs intermédiaires suivants :
Modèles VDVE900, VDVE1200 - extérieurs
120 VCA • 60 Hz • 6,0 A (max.)

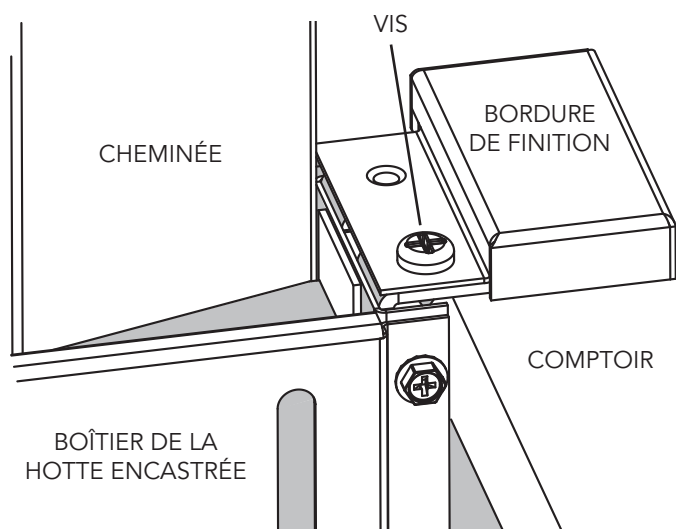


4. Acheminez un câble électrique à deux fils plus un fil de terre du ventilateur extérieur ou intermédiaire jusqu'au boîtier de câblage sur la plaque d'adaptateur. Retirez le **COUVERCLE DU BOÎTIER DE CÂBLAGE**.



5. Raccordez les fils du ventilateur aux fils de l'alimentation du ventilateur extérieur ou intermédiaire. Connectez le fil noir avec le noir, le blanc avec le blanc et le vert avec la vis de terre.
6. Remplacez le couvercle du boîtier de câblage.
7. Branchez le **CÂBLE DU PANNEAU ÉLECTRIQUE** dans la **PRISE** en bas à droite du boîtier de la hotte.
8. Branchez le cordon électrique de la hotte dans la prise. Assurez-vous que le cordon électrique passe loin de la chaleur produite par la surface de cuisson.

INSTALLATION DE LA BORDURE DE FINITION



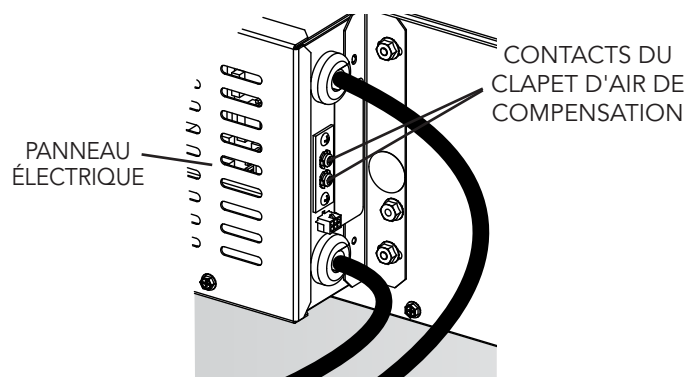
1. Fixez la BORDURE DE FINITION en haut à gauche et en haut à droite du BOÎTIER DE LA HOTTE ENCASTRÉE avec les vis fournies.

INSTALLATION DE L'APPAREIL DE CUISSON

1. Alignez l'appareil de cuisson sur la hotte encastrée et fixez-le conformément aux instructions qui l'accompagnent.

Remarque : L'alignement adéquat de l'appareil de cuisson et de la hotte encastrée est nécessaire pour garantir que rien ne nuit à l'ouverture et à la fermeture de la cheminée d'évacuation. Il doit y avoir un écart de 0,8 mm à 1,6 mm (1/32 po à 1/16 po) entre l'arrière de la surface de cuisson et l'avant du couvercle de la hotte encastrée.

CLAPET D'AIR DE COMPENSATION (FACULTATIF)

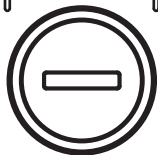
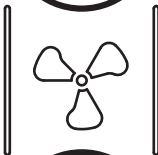


Branchez les 2 CONTACTS sur le PANNEAU ÉLECTRIQUE.
Compatible avec les clapets G6MD et G8MD.

ENSEMBLE DE BORDURE DE CUISINIÈRE (FACULTATIF)

Disponible pour les installations avec cuisinière autonome - lorsqu'il y a un espace entre l'arrière de la cuisinière et la hotte encastrée.

FONCTIONNEMENT



Commande de ventilateur à 4 vitesses

Commande de ventilateur à 4 vitesses

Appuyez sur le bouton + pour augmenter la vitesse du ventilateur.

Appuyez sur le bouton - pour diminuer la vitesse du ventilateur.

Une fois la vitesse maximale atteinte, appuyez encore une fois sur le bouton + pour arrêter le ventilateur.



Éclairage à 2 niveaux

Éclairage à 2 niveaux

Appuyez une fois pour l'éclairage à FAIBLE intensité.

Appuyez 2x pour l'éclairage à HAUTE intensité. L'icône s'illumine.

Appuyez 3x pour éteindre l'éclairage.



Rappel de nettoyage des filtres après 30 heures

Rappel de nettoyage des filtres après 30 heures

Après 30 heures d'utilisation du ventilateur, l'icône de rappel de nettoyage des filtres clignote en continu.

Pour remettre le compte à zéro, touchez l'icône et maintenez-la pendant au moins 2 secondes. Le voyant s'éteindra alors.



Bouton Haut / Bas

Bouton Haut / Bas

Pour relever ou abaisser la cheminée d'évacuation, appuyez sur le bouton haut / bas. Toute fonction active s'arrêtera et la cheminée d'évacuation s'abaissera. Lors du relèvement de la cheminée, toutes les fonctions reprendront leurs réglages antérieurs.

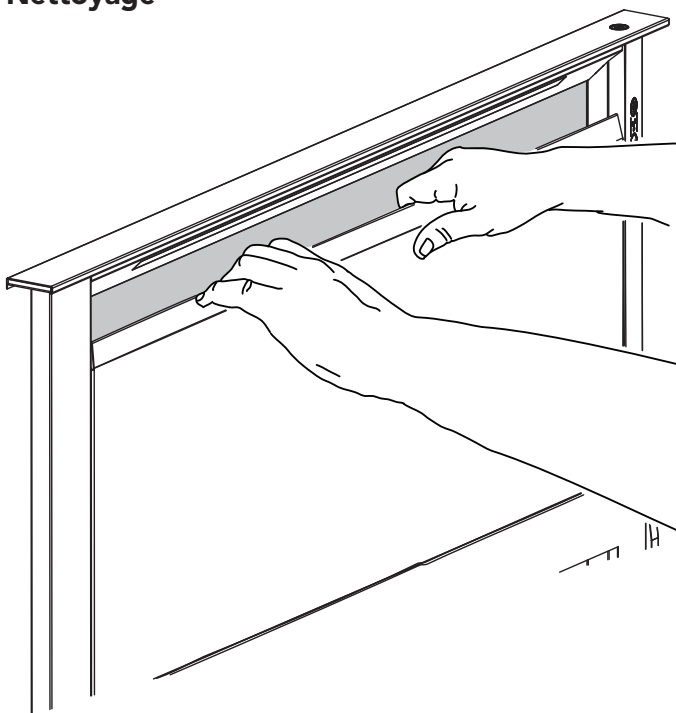
UTILISATION ET ENTRETIEN



AVERTISSEMENT : Débranchez toujours l'alimentation électrique avant de nettoyer ou de réparer l'appareil.

Mettez toujours la hotte en marche avant de commencer à cuisiner afin d'établir une circulation d'air dans la cuisine. Laissez le ventilateur fonctionner quelques minutes après l'arrêt de la cuisinière afin de nettoyer l'air. Ceci contribuera à maintenir la propreté de toute la cuisine.

Nettoyage



Pour nettoyer les filtres à graisses : Enlevez le panneau avant et retirez les (2) filtres à graisses. Lavez les filtres dans une solution de détergent doux ou au lave-vaisselle. Remplacez les filtres avant de réutiliser la hotte.

Pour nettoyer l'intérieur de la cheminée d'évacuation : Retirez le panneau avant vers le haut. Enlevez les filtres. Utilisez une solution de détergent doux. N'UTILISEZ PAS DE CHIFFONS ABRASIFS, DE LAINE D'ACIER NI DE POUDRE À RÉCURER. Remplacez le panneau avant et les filtres avant de réutiliser la hotte.

Réparation

Il peut être nécessaire d'enlever le système de hotte encastrée de l'armoire afin de réparer ou remplacer des pièces comme le moteur du ventilateur ou le mécanisme de prise d'air.

Débranchez l'alimentation électrique de la plaque de cuisson et enlevez d'abord celle-ci. Suivez les étapes inverses de l'« INSTALLATION DU BOÎTIER DANS L'ARMOIRE » pour en sortir la hotte encastrée.

INFORMATIONS DE SERVICE

Lors d'une réparation de l'appareil, n'utiliser que les pièces de rechange autorisées.

Tous les travaux doivent être confiés à un technicien qualifié.

Contactez Viking Range, LLC, 1-888-(845-4641), pour connaître le distributeur de pièces de rechange de votre région ou écrivez à :

VIKING RANGE, LLC
PREFERRED SERVICE
111 Front Street
Greenwood, Mississippi 38930 États-Unis

Notez les renseignements indiqués ci-dessous. Vous en aurez besoin si jamais une réparation est requise.

Numéro de modèle _____

Numéro de série _____

Date d'achat _____

Date d'installation _____

Nom du concessionnaire _____

Adresse _____

Ces directives d'installation doivent demeurer avec l'appareil pour référence ultérieure.

GARANTIE

GARANTIE DE LA HOTTE ENCASTRÉE GARANTIE LIMITÉE D'UN AN

Les hottes encastrées et toutes leurs pièces, à l'exception des articles indiqués ci-dessous*†, sont garanties contre tout défaut de matériau ou de fabrication lors d'une utilisation résidentielle normale pendant une période de un (1) an à compter de la date d'achat originale. Viking Range, LLC, le garant, accepte de réparer ou de remplacer, à son choix, toute pièce s'avérant défectueuse pendant la période de garantie.

***GARANTIE COMPLÈTE DE QUATRE-VINGT-DIX (90) JOURS SUR L'APPARENCE :** Nous garantissons que le produit est exempt de tout défaut de matériau ou de fabrication apparent (tels que des égratignures sur l'acier inoxydable, imperfections de la peinture ou porcelaine, etc.) pendant une période de quatre-vingt-dix (90) jours à compter de la date de l'achat original au détail ou de la date de fin des travaux pour une construction neuve, selon la période la plus longue. Tout défaut doit être signalé au détaillant dans cette période de quatre-vingt-dix (90) jours à compter de la date d'achat originale. Viking Range, LLC utilise les meilleurs procédés et matériaux disponibles pour produire tous les finis de couleur. Toutefois, de légères variations de couleur peuvent être décelées en raison des différences inhérentes des pièces peintes et des pièces en porcelaine ainsi que des différences d'éclairage des cuisines, de l'emplacement du produit et d'autres facteurs. Par conséquent, cette garantie ne s'applique pas aux variations de couleur attribuables à de tels facteurs.

†GARANTIE COMPLÈTE DE QUATRE-VINGT-DIX (90) JOURS DANS LES APPLICATIONS « RESIDENTIAL PLUS » : Cette garantie complète s'applique aux applications où l'utilisation du produit dépasse une utilisation résidentielle normale, mais la période de garantie des produits utilisés dans de telles applications est de quatre-vingt-dix (90) jours. Les applications couvertes par cette garantie sont, par exemple, les gîtes du passant, casernes de pompiers, clubs privés, églises, etc. En vertu de cette garantie « Residential Plus », le produit, ses composantes et accessoires sont garantis contre tout défaut de matériau ou de fabrication pour une période de quatre-vingt-dix (90) jours à compter de la date d'achat originale au détail. Cette garantie exclut toute utilisation du produit dans un établissement commercial tel qu'un restaurant, établissement de service alimentaire et établissement de service alimentaire institutionnel.

GARANTIE LIMITÉE DE CINQ ANS SUR LES MOTEURS DE VENTILATION

Tout moteur de ventilateur qui présente un défaut de matériau ou de fabrication (excluant les défauts d'apparence) dans une utilisation résidentielle normale durant la quatrième année jusqu'à la cinquième année d'utilisation après la date d'achat originale au détail sera réparé ou remplacé gratuitement pour les pièces, les autres frais étant à la charge du propriétaire, dont les frais de main-d'œuvre. Sont exclus les systèmes d'allumage, bases de brûleur, etc.

CONDITIONS GÉNÉRALES

Cette garantie s'adresse à l'acheteur d'origine du produit couvert par cette garantie et à chaque nouveau propriétaire du produit durant le terme de cette garantie et s'applique aux produits achetés et situés aux États-Unis, au Mexique et dans les Caraïbes (excluant Cuba, la République Dominicaine et Haïti). Les produits doivent avoir été achetés dans le pays où la réparation est requise. S'il s'avère que le produit ou certaines de ses pièces présentent une défectuosité ou un mauvais fonctionnement pendant la période de garantie, et que le garant, après un nombre raisonnable de tentatives de réparation ne parvient pas à corriger la défectuosité, le propriétaire a alors droit au remboursement ou au remplacement du produit ou desdites pièces. Le remplacement d'une pièce comprend son installation gratuite, sauf stipulation contraire dans la garantie limitée. Selon les conditions de cette garantie, les réparations doivent être exécutées par une agence ou un représentant agréé de Viking Range, LLC. Les réparations s'effectueront pendant les heures d'affaires normales, et les travaux exécutés en heures supplémentaires ou à un taux majoré ne seront pas couverts par cette garantie.

Le propriétaire a la responsabilité d'installer et d'entretenir correctement le produit, de présenter sa facture sur demande, et de veiller à ce que l'appareil soit suffisamment accessible pour être réparé. Le fait de nous renvoyer la Carte d'enregistrement du propriétaire ne constitue pas une condition pour être couvert par la garantie. Vous devriez cependant retourner votre Carte d'enregistrement afin que Viking Range, LLC puisse vous contacter advenant qu'une question de sécurité risquerait de vous affecter.

Cette garantie vous accorde des droits spécifiques auxquels peuvent s'ajouter d'autres droits variant d'une juridiction à l'autre.

CE QUE CETTE GARANTIE NE COUVRE PAS : Cette garantie ne s'applique pas aux dommages découlant d'un abus, entretien inadéquat, accident, livraison, négligence, désastre naturel, panne d'alimentation électrique du produit pour quelque raison que ce soit, ni modification, utilisation à l'extérieur, installation inadéquate, utilisation inadéquate, réparation ou entretien inadéquats du produit par quiconque autre qu'une agence de réparation ou un représentant agréé de Viking Range, LLC. Cette garantie ne s'applique pas aux utilisations commerciales.

LIMITATION DES RECOURS ET DE LA DURÉE DES GARANTIES TACITES. LES SEULS ET UNIQUES RECOURS DU PROPRIÉTAIRE EN CAS DE RÉCLAMATION CONCERNANT CE PRODUIT SE LIMITENT AUX RECOURS STIPULÉS CI-DESSUS. VIKING RANGE DÉCLINE TOUTE RESPONSABILITÉ EN CAS DE DOMMAGES CONSÉCUTIFS OU INDIRECTS, DONT LES PERTES D'ALIMENTS OU DE MÉDICAMENTS, RÉSULTANT DE LA DÉFECTUOSITÉ DU PRODUIT, QU'ELLES DÉCOULENT D'UNE VIOLATION DE LA GARANTIE, D'UNE RUPTURE DE CONTRAT OU AUTREMENT. Certaines juridictions ne permettant pas la limitation ou l'exclusion des dommages indirects ou consécutifs, il se peut que la limitation ou l'exclusion ci-dessus ne s'applique pas à vous. **TOUTE LES GARANTIES TACITES DE VALEUR MARCHANDE OU D'ADAPTATION À UN USAGE PARTICULIER APPLICABLES À CE PRODUIT ONT UNE DURÉE LIMITÉE À LA PÉRIODE DE COUVERTURE DES GARANTIES EXPRESSÉMENT ÉCRITES CI-DESSUS.** Certaines juridictions interdisant de limiter la durée d'une garantie tacite, la limitation ci-dessus peut ne pas s'appliquer à votre situation.

SERVICE DE GARANTIE

Pour bénéficier du service de garantie, contactez une agence de réparation agréée de Viking Range, LLC ou Viking Range, LLC 111 Front Street, Greenwood, Mississippi 38930, (888) 845-4641. Indiquez le modèle, le numéro de série et la date d'achat originale ou la date de fin des travaux pour une construction neuve. Pour obtenir le nom de l'agence de réparation agréée de Viking Range, LLC la plus proche, appelez Viking Range, LLC. **IMPORTANT :** Veuillez conserver votre facture afin de pouvoir établir la période de garantie.

Caractéristiques techniques sous réserve de changement sans préavis.

VIKING RANGE, LLC
111 Front Street
Greenwood, Mississippi 38930 USA
(662) 455-1200

Uso/Instalación

GUÍA



SERIE 5

Ventiladores de tiro descendente posterior

VDD5300/CVDD5300
VDD5360/CVDD5360
VDD5450/CVDD5450
VDD5480/CVDD5480

MODELO	ANCHO	VENTILADOR (se compra por separado)
VDD5300/CVDD5300	30 pulg. (76.2 cm)	VDVI600 Interior o VDVE900 Exterior
VDD5360/CVDD5360	36 pulg. (91.4 cm)	VDVI600 Interior o VDVE900 Exterior
VDD5450/CVDD5450	45 pulg. (114.3 cm)	VDVI600 Interior o VDVE900 Exterior, VDVE1200 Exterior
VDD5480/CVDD5480	48 pulg. (121.9 cm)	VDVI600 Interior o VDVE900 Exterior, VDVE1200 Exterior

LEA Y CONSERVE ESTAS INSTRUCCIONES

ADVERTENCIA

PARA REDUCIR EL RIESGO DE INCENDIOS, DESCARGAS ELÉCTRICAS O LESIONES PERSONALES, SIGA LAS SIGUIENTES PRECAUCIONES:

1. Use la unidad solo de la manera indicada por el fabricante. Si tiene preguntas, comuníquese con el fabricante a la dirección o al número telefónico que se incluye en la garantía.
2. Antes de dar servicio a la unidad o de limpiarla, interrumpa el suministro eléctrico en el panel de servicio y bloquee los medios de desconexión del servicio para evitar que la electricidad se reanude accidentalmente. Cuando no sea posible bloquear los medios de desconexión del servicio, fije firmemente una señal de advertencia (como una etiqueta) en un lugar visible del panel de servicio.
3. El trabajo de instalación y el cableado eléctrico deben estar a cargo de personal capacitado, de acuerdo con todos los códigos y normas correspondientes, incluidos los códigos y normas de construcción específicos sobre protección contra incendios.
4. Es necesario suficiente aire para que se lleve a cabo una combustión y una extracción adecuadas de los gases a través del tubo de humos (chimenea) del equipo quemador de combustible, con el fin de evitar el contratiro. Siga las directrices y las normas de seguridad del fabricante del equipo de calefacción, como las publicadas por la Asociación Nacional de Protección contra Incendios (National Fire Protection Association, NFPA), la Sociedad Americana de Ingenieros de Calefacción, Refrigeración y Aire Acondicionado (American Society for Heating, Refrigeration and Air Conditioning Engineers, ASHRAE) y las autoridades normativas locales.
5. Al cortar o perforar a través de la pared o del cielo raso, tenga cuidado de no dañar el cableado eléctrico ni otros servicios ocultos.
6. Los ventiladores con conductos siempre deben ventearse hacia el exterior.
7. Para reducir el riesgo de incendio, use solamente conductos metálicos.
8. No instale este producto con el interruptor de activación directamente detrás de un quemador o elemento. La distancia mínima entre el interruptor y el borde del quemador debe ser de 4 pulgadas (10.2 cm).
9. Cuando se opere este electrodoméstico nunca se debe usar ropa holgada o colgante. Este tipo de ropa se puede incendiar con los quemadores o elementos de la estufa.
10. No se deben dejar niños solos o desatendidos en el área en la que se usa este electrodoméstico.
11. Esta unidad debe estar conectada a tierra.
12. Para reducir el riesgo de incendio o descarga eléctrica, recomendamos que instale el tiro descendente con un circuito dedicado por separado del electrodoméstico.

PARA REDUCIR EL RIESGO DE INCENDIO PROVOCADO POR GRASA PRESENTE EN LA ESTUFA:

- a) Nunca deje desatendidas las unidades de la superficie cuando estén en ajustes altos de calor. Los alimentos en ebullición provocan derrames grasosos y con humo que se pueden incendiar. Caliente el aceite lentamente en ajustes de calor bajo o medio.
- b) Siempre ENCIENDA la campana cuando cocine con calor alto o cuando cocine alimentos inflamables.
- c) Limpie frecuentemente los ventiladores. No permita la acumulación de grasa en el ventilador ni en el filtro.
- d) Use una cacerola del tamaño adecuado. Siempre use utensilios de cocina que sean apropiados para el tamaño del elemento de la superficie.

ADVERTENCIA

PARA REDUCIR EL RIESGO DE LESIONES A LAS PERSONAS EN CASO DE UN INCENDIO PRODUCIDO POR GRASA EN UNA ESTUFA, OBSERVE LO SIGUIENTE^a:

1. APAGUE LAS LLAMAS con una tapa de ajuste exacto, una charola para galletas o una bandeja de metal, y después apague el quemador. PROCEDA CON CUIDADO PARA EVITAR QUEMADURAS. Si las llamas no se apagan inmediatamente, EVACUE EL ÁREA Y LLAME A LOS BOMBEROS.
2. NUNCA LEVANTE UNA CACEROLA INCENDIADA porque podría ocasionarse quemaduras.
3. NO USE AGUA, incluidos trapos o toallas de cocina mojados; puede producirse una explosión violenta de vapor.
4. Use un extintor SOLO si:
 - A. Sabe que tiene un extintor clase ABC, y ya sabe cómo usarlo.
 - B. El incendio es pequeño y está confinado al área en la que se inició.
 - C. Se está llamando al Departamento de Bomberos.
 - D. Puede combatir el incendio teniendo la espalda orientada hacia una salida.

^a Basado en "Kitchen Firesafety Tips" (Sugerencias para la seguridad contra incendios en la cocina) publicado por NFPA.

PRECAUCIÓN

1. PARA REDUCIR EL RIESGO DE INCENDIO O LESIONES, NO INSTALE CON PRODUCTOS PARA COCINAR QUE TENGAN UNA PLANCHA.
2. Solo debe usarse en interiores.
3. Solo para usarse como medio de ventilación general. No debe usarse para la extracción de materiales o vapores peligrosos o explosivos.
4. Para evitar daños a los cojinetes del motor y rotores ruidosos o desbalanceados, mantenga la unidad de potencia protegida contra rociados de yeso, polvos de construcción, etc.
5. Limpie frecuentemente los filtros y las superficies que tengan grasa.
6. No repare ni reemplace ninguna pieza de este electrodoméstico a menos que así se recomiende específicamente en este manual. Todas las demás operaciones de servicio las debe realizar un técnico calificado.
7. Lea la etiqueta de especificaciones del producto para ver información y requisitos adicionales.
8. Para reducir el riesgo de incendio y descarga eléctrica, instale este tiro descendente únicamente con los modelos de ventilador que se muestran a continuación. No se pueden utilizar otros modelos de ventiladores. (Los ventiladores se venden por separado.)

Ventilador flexible modelo VDVI600
Ventilador exterior modelos VDVE900, VDVE1200

INSTALADOR:
Conserve este manual para que lo use el inspector eléctrico y el propietario.

CONTENIDO

Se incluyen estas piezas con la cubierta de tiro descendente:

- 1 - bolsa de piezas
- 1 - juego de molduras
- 4 - patas de apoyo
- 1 - panel eléctrico
- 2 - soportes de montaje

PLANEACIÓN

NO INSTALE CON PRODUCTOS PARA COCINAR QUE TENGAN UNA PLANCHA.

Debido a su diseño flexible, este sistema de tiro descendente se puede utilizar para extraer los contaminantes suspendidos en el aire cuando se cocina con diferentes aparatos de cocina, ya sea de gas o eléctricos: como parrillas, estufas, estufas empotrables y estufas independientes.

Puede montarse en una isla, una península o en un sitio de pared convencional. El ventilador (se compra por separado) y el panel eléctrico se pueden montar en la unidad de tiro descendente, dentro del gabinete o en una ubicación remota que sea conveniente.

Esta unidad se puede instalar fácilmente siguiendo estos pasos básicos:

- Haga la abertura en la superficie del gabinete.
- Monte la unidad en el gabinete.
- Instale el ventilador y el panel eléctrico.
- Conecte los conductos y el sistema eléctrico.
- Monte la moldura/puerta.
- Instale el electrodoméstico de cocina.

Nota: El flujo de aire de alto nivel de este electrodoméstico puede afectar la llama de gas en algunos tipos de estufas de gas. Esto es NORMAL y no causará daño, pero se puede corregir reduciendo la velocidad del ventilador.

ESPECIFICACIONES ELÉCTRICAS

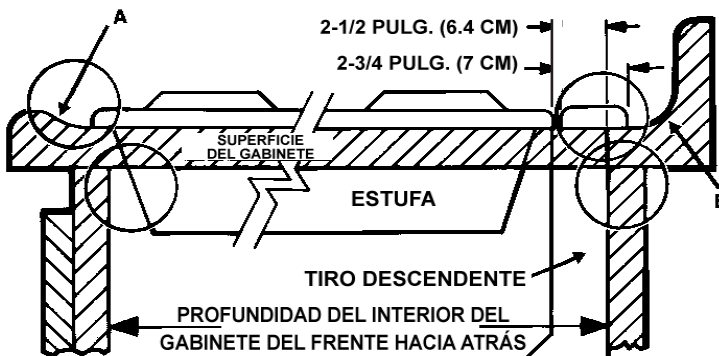
Modelo VDVI600 - Flexible interior:
120 VCA • 60 Hz • 3.0 A

Modelos VDVE900, VDVE1200 - Exterior:
120 VCA • 60 Hz • 6.0 A (máx.)

TOME MEDIDAS

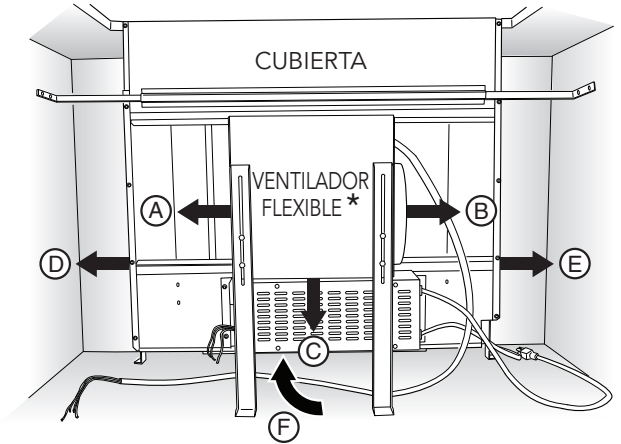
1. Consulte las instrucciones de instalación de la estufa para ver las dimensiones de la estufa, la abertura en la superficie del gabinete y los requerimientos del gabinete. Sin embargo, se recomienda usar gabinetes de mayor tamaño para facilitar la instalación.
2. La profundidad de las diferentes estufas varía considerablemente. Esto puede ocasionar que estos dos electrodomésticos queden muy ajustados.

Preste atención especial a las áreas de posible interferencia que se indican a continuación. Es posible que un gabinete con (A) un reborde elevado o (B) un protector contra salpicaduras no cuente con la suficiente superficie plana para realizar una instalación adecuada. Note que es necesario tener una superficie plana de 2 3/4 pulg. (7 cm) detrás de la estufa, y que se requiere una distancia de 1 3/4 pulg. (4.4 cm) entre el borde posterior de la estufa y el interior de la parte posterior del gabinete.



Nota: Antes de hacerlo funcionar, retire todas las películas protectoras y empaques. Para poder retirar todas las películas protectoras y empaques, levante la cubierta del ventilador y retire el panel delantero para tener acceso al área del filtro.

PLAÑEE LOS CONDUCTOS



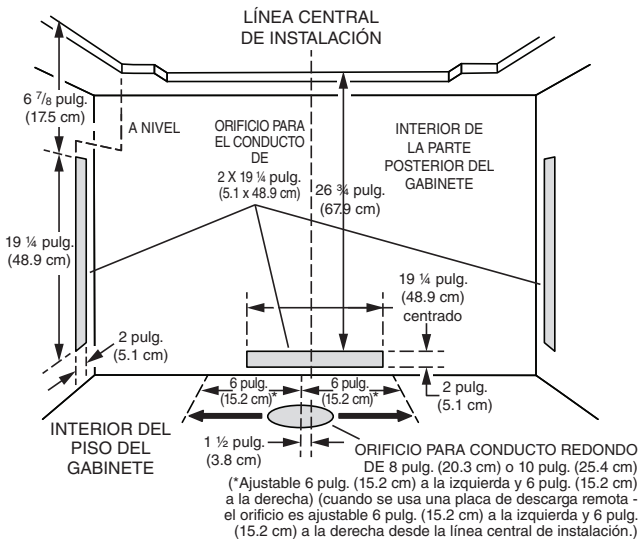
* Los ventiladores remotos utilizan una placa de descarga remota redonda de 8 pulg. (20.3 cm) o 10 pulg. (25.4 cm) en lugar de un ventilador flexible.

1. El sistema del ventilador de tiro descendente está diseñado para usarse con conductos redondos de 8 pulg. (20.3 cm) con un ventilador flexible o conductos redondos de 10 pulg. (25.4 cm) con un ventilador remoto. (Los ventiladores se compran por separado). Hay disponibles seis (6) conexiones diferentes de descarga con ajuste de lado a lado para la alineación adecuada de los conductos:
 - A = Conducto redondo de 8 pulg. (20.3 cm), de descarga izquierda por el ventilador flexible
 - B = Conducto redondo de 8 pulg. (20.3 cm), de descarga derecha por el ventilador flexible
 - C = Conducto redondo de 8 pulg. (20.3 cm), de descarga hacia abajo por el ventilador flexible (La caja eléctrica se puede montar de forma remota).
 - D = 1-7/8 x 19 pulg. (4.7 x 48.3 cm), de descarga izquierda desde la cubierta al ventilador remoto o ventilador flexible en una ubicación remota. Utilice una transición redonda de 1-7/8 x 19 pulg. (4.7 x 48.3 cm) para 8 pulg. (20.3 cm), una transición redonda de 1-7/8 x 19 pulg. (4.7 x 48.3 cm) para 10 pulg. (25.4 cm) o un conducto de 1-7/8 x 19 pulg. (4.7 x 48.3 cm) según corresponda.
 - E = 1-7/8 x 19 pulg. (4.7 x 48.3 cm), de descarga derecha desde la cubierta al ventilador remoto o ventilador flexible en un lugar remoto. Utilice una transición redonda de 1-7/8 x 19 pulg. (4.7 x 48.3 cm) para 8 pulg. (20.3 cm), una transición redonda de 1-7/8 x 19 pulg. (4.7 x 48.3 cm) para 10 pulg. (25.4 cm) o un conducto de 1-7/8 x 19 pulg. (4.7 x 48.3 cm) según corresponda.
 - F = 1-7/8 x 19 pulg. (4.7 x 48.3 cm), de descarga trasera desde la cubierta al ventilador remoto o ventilador flexible en un lugar remoto. Utilice una transición redonda de 1-7/8 x 19 pulg. (4.7 x 48.3 cm) para 8 pulg. (20.3 cm), una transición redonda de 1-7/8 x 19 pulg. (4.7 x 48.3 cm) para 10 pulg. (25.4 cm) o un conducto de 1-7/8 x 19 pulg. (4.7 x 48.3 cm) según corresponda.
2. Para obtener el mejor desempeño: Seleccione el sistema de conductos de la longitud más corta y un número mínimo de codos y transiciones. Revise el área de la instalación para asegurarse de que no haya interferencia con vigas del piso, montantes de la pared, cableado eléctrico o tuberías.

PLAÑEE LOS CORTES DEL GABINETE



PRECAUCIÓN: ANTES DE HACER LA ABERTURA EN EL GABINETE PARA EL SISTEMA DE CONDUCTOS, revise que no haya interferencia con vigas del piso, montantes de la pared, cableado eléctrico ni tubería.



Utilice las dimensiones de la ilustración anterior para ayudarle a planear cómo y dónde proporcionar acceso para el conducto a través del gabinete. Por lo general, se utiliza un conducto rectangular de 1-7/8 x 19 pulg. (4.7 x 48.3 cm) a través de la izquierda, la derecha y la parte posterior del gabinete; mientras que se utiliza un conducto redondo de 8 pulg. (20.3 cm) a través del piso del gabinete.

Para extracción a la izquierda, a la derecha o a la parte posterior: Deje al menos 18 pulg. (45.7 cm) para el codo y la transición o el ventilador.

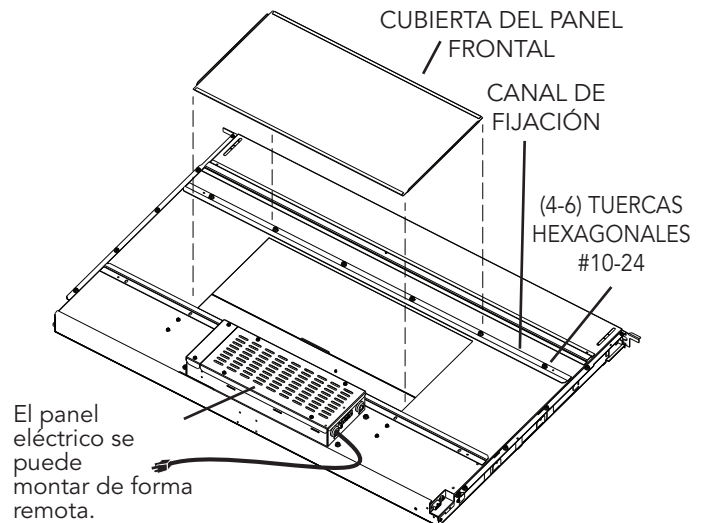
Para extracción a la izquierda o derecha: Se recomienda un gabinete de 30 pulg. (76.2 cm) de profundidad para alinearlo adecuadamente con el ventilador flexible. El ventilador flexible se puede montar en la pared posterior del gabinete o en una plataforma/marco (no incluidos) en la base del piso del gabinete. (Consulte las instrucciones del ventilador flexible instalación).

Se requieren profundidades de gabinete de 24 a 30 pulg. (61 a 76.2 cm), dependiendo del tipo de electrodoméstico.

PLAÑEE EL CABLEADO ELÉCTRICO

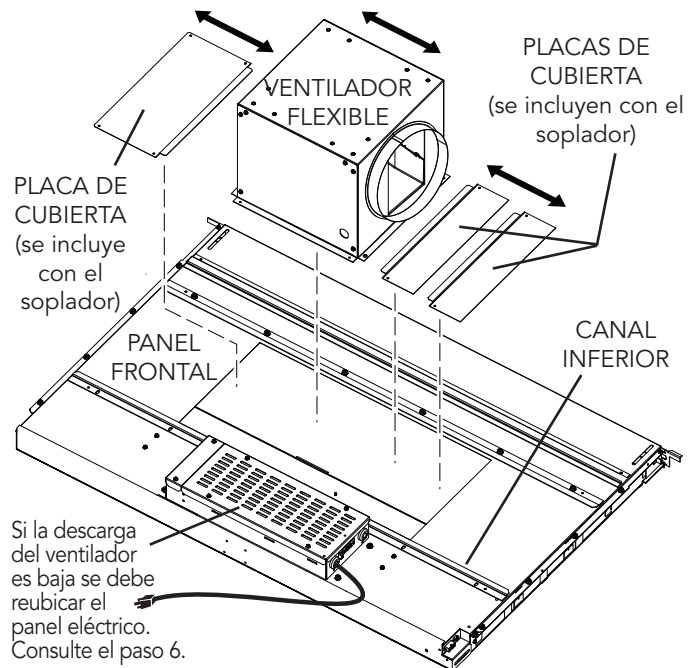
1. Este tiro invertido que usa el soplador flexible (se compra por separado) consume 3.0 Amp y requiere un circuito de 120 VCA y 60 Hz. Si se va a utilizar un ventilador remoto (se compra por separado), el sistema requiere 6.0 amperios (máx.) y un circuito de 120 VCA y 60 Hz.
2. El tiro invertido tiene un cordón eléctrico de 18 pulg. (45.7 cm) y un enchufe con 3 patas. Planee colocar un tomacorriente con conexión a tierra en una ubicación que pueda llegar hasta el cable de alimentación de la unidad.
3. Instale la caja eléctrica de conformidad con los códigos locales.
4. La longitud del cable desde la caja eléctrica hasta el tiro invertido es de 20 pulg. (50.8 cm).
5. La longitud del cable del soplador (se vende por separado) a la caja eléctrica es de 5 pies (1.5 m).

PREPARE EL TIRO DESCENDENTE



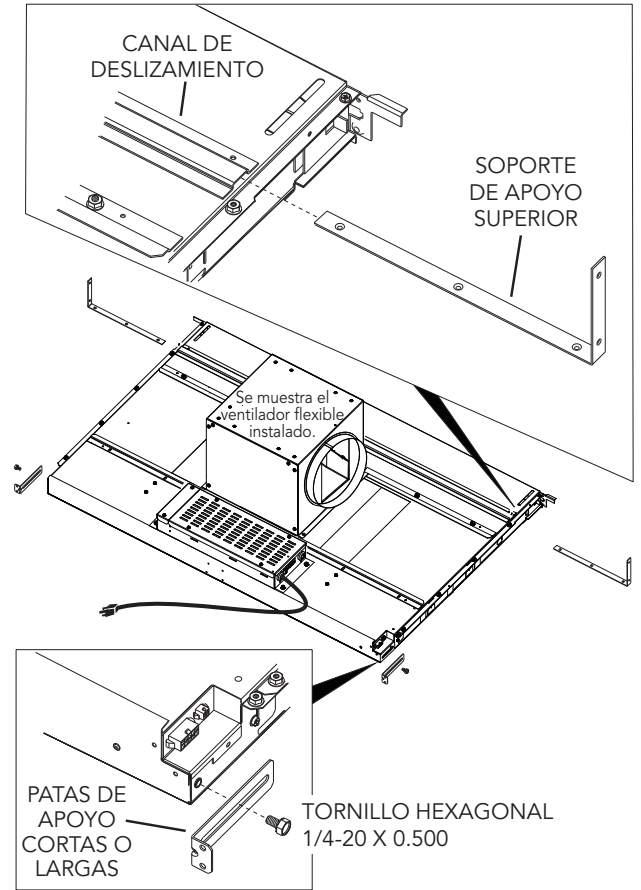
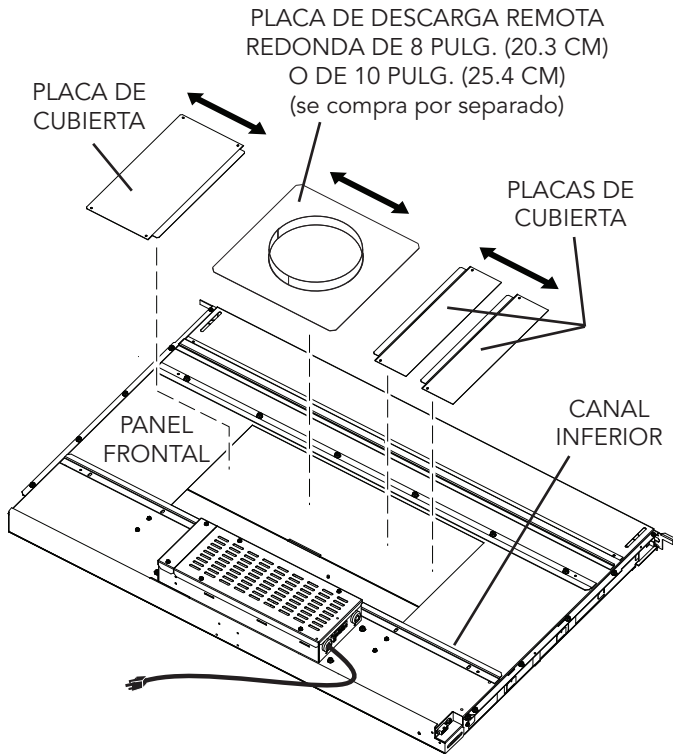
Instalaciones con conductos a través de la abertura del panel frontal solamente:

1. Coloque el tiro descendente sobre su parte posterior en una mesa o una superficie de trabajo plana.
2. Afloje las TUERCAS HEXAGONALES del CANAL DE FIJACIÓN y retire la CUBIERTA DEL PANEL FRONTAL.



Instalaciones que usan el VENTILADOR FLEXIBLE solamente:

- (Compre el modelo VDV1600 de ventilador flexible por separado).
3. Determine la ubicación en el PANEL FRONTAL y si tendrá su descarga a la izquierda, a la derecha o hacia abajo. Utilice una combinación de PLACAS DE CUBIERTA (de 3 pulg. (7.6 cm) o 6 pulg. (15.2 cm) de ancho) para cerrar las aberturas a los lados del ventilador. Deslice el ventilador y las placas de cubierta entre el CANAL INFERIOR y el canal de fijación. Apriete las tuercas hexagonales para fijar el ventilador y los paneles en su lugar.



Instalaciones que utilizan un VENTILADOR FLEXIBLE (en una ubicación remota) o un VENTILADOR REMOTO solamente:

- Utilice la **PLACA DE DESCARGA REMOTA** y determine su ubicación en el **PANEL FRONTAL**.

Utilice una combinación de **PLACAS DE CUBIERTA** (de 3 pulg. (7.6 cm) o 6 pulg. (15.2 cm) de ancho) para cerrar las aberturas a los lados de la placa de descarga remota.

La placa de cubierta remota y las placas de cubierta entre el **CANAL INFERIOR** y el canal de fijación. Apriete las tuercas hexagonales para fijar las placas en su lugar.

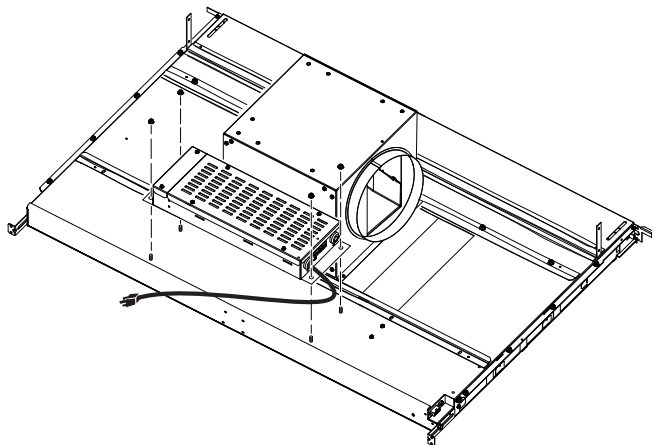
Todas las instalaciones:

- Deslice los **SOPORTES DE APOYO SUPERIORES** en el **CANAL DE DESLIZAMIENTO** de la parte superior izquierda y derecha de la unidad.

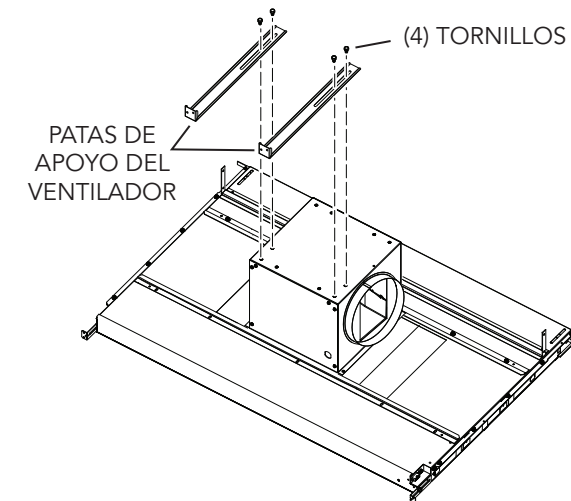
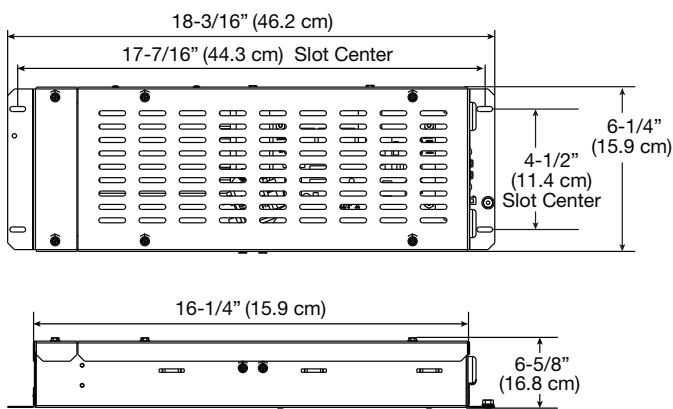
Fije las **PATAS DE APOYO CORTAS O LARGAS** (dependiendo de la altura del gabinete) a ambos lados de la unidad con los **TORNILLOS HEXAGONALES** suministrados. No apriete totalmente los tornillos hexagonales en este momento.

Instalaciones en las que el PANEL ELÉCTRICO debe montarse en una ubicación remota solamente:

6. Retire las cuatro (4) TUERCAS HEXAGONALES y el PANEL ELÉCTRICO. Es posible que sean necesarios cables de extensión de 5 pies (1.5 m) (se compran por separado) para montar el panel eléctrico en una ubicación remota. No utilice más de dos cables de extensión. No monte el panel eléctrico con orificios de ventilación hacia abajo.



Dimensiones del panel eléctrico

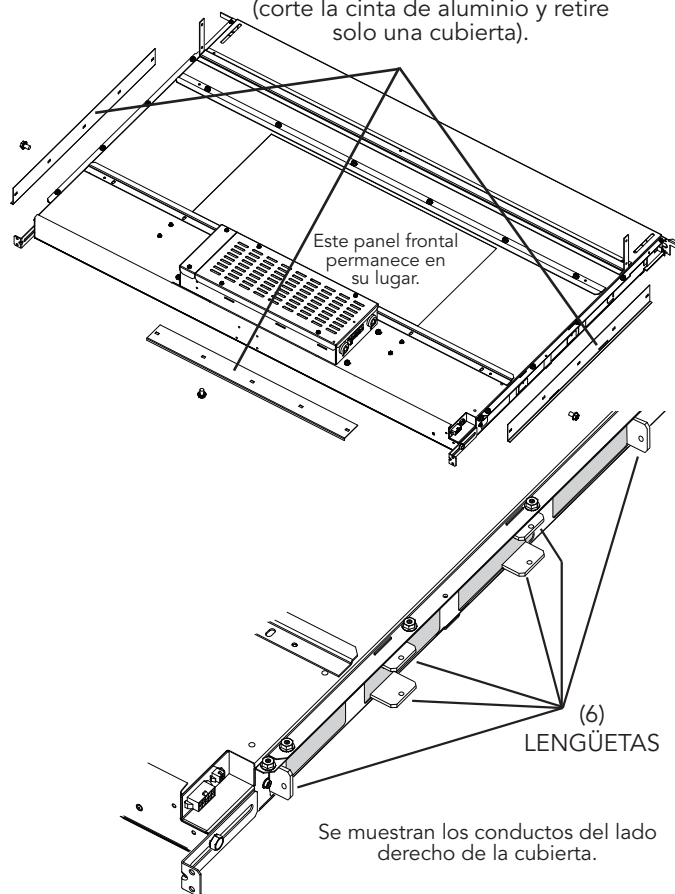


Instalaciones con conductos hacia la izquierda, la derecha o la parte trasera solamente:

(Se requiere la compra de una transición redonda de 2 x 19 pulg. (5 x 48.3 cm) a 8 pulg. (20.3 cm) o 10 pulg. (25.4 cm) y un conducto rectangular de 2 x 19 pulg. (5 x 48.3 cm) cortado a la longitud adecuada.)

8. Retire solo una CUBIERTA DE DESCARGA RECTANGULAR.
9. Debajo de la cubierta de descarga rectangular que acaba de retirar: utilice unas pinzas para doblar las seis (6) lengüetas 90° hacia afuera. Utilice estas lengüetas para conectar un conducto rectangular de 2 x 19 pulg. (5 cm x 48.3 cm) o el conducto de 2 x 19 pulg. (5 cm x 48.3 cm) a la transición redonda de 8 pulg. (20.3 cm) o 10 pulg. (25.4 cm) a la cubierta al instalar los conductos.

CUBIERTAS DE DESCARGA RECTANGULARES (corte la cinta de aluminio y retire solo una cubierta).



Instalaciones que usan el VENTILADOR FLEXIBLE solamente:

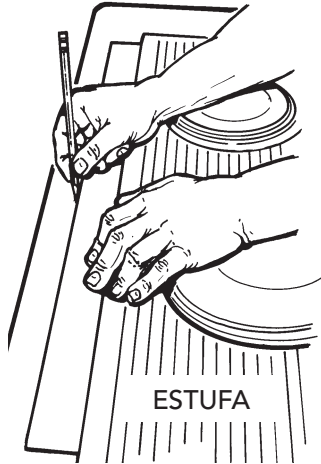
7. Fije las PATAS DE APOYO DEL VENTILADOR con los cuatro (4) TORNILLOS suministrados.



PRECAUCIÓN: Si el ventilador flexible se va a montar de forma remota: No utilice las patas por sí solas como apoyo. Quizá sea necesario añadir apoyo extra para el ventilador flexible. Utilice los soportes de montaje suministrados con el ventilador.

HAGA LA ABERTURA DE LA SUPERFICIE DEL GABINETE

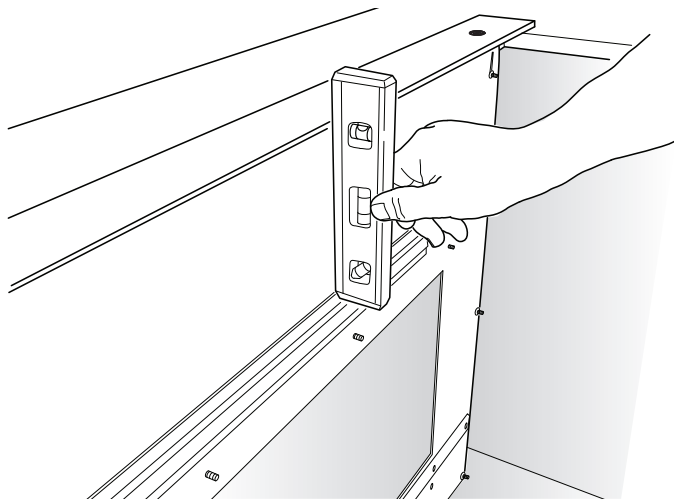
1. Trace y haga el corte para la estufa lo suficientemente HACIA DELANTE como para que el tiro descendente quepa detrás de la estufa.
2. Coloque la estufa en su lugar y deslícela tan adelante como sea posible sin exponer ninguna separación. Céntrela y cuádrela con los bordes de la superficie del gabinete.



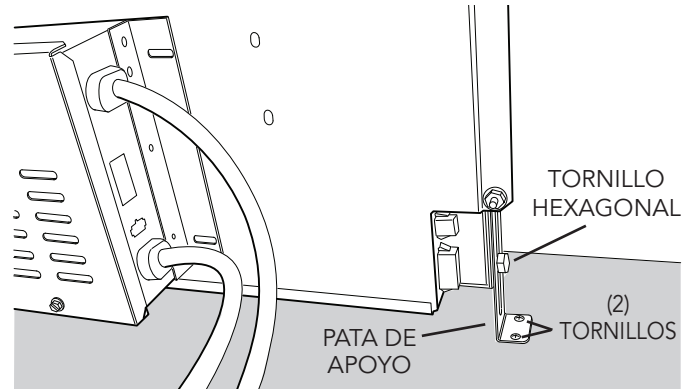
Plantilla contra el borde posterior de la estufa.

3. Coloque la plantilla de plástico contra el reborde posterior de la estufa o el borde posterior de la abertura de la superficie del gabinete de la estufa empotrable. Centre la plantilla. Trace alrededor de la plantilla para marcar la abertura del tiro descendente.
4. Quite la estufa de la superficie del gabinete.
5. Haga la abertura del tiro descendente. Tenga cuidado de no astillar los bordes de la superficie del gabinete.

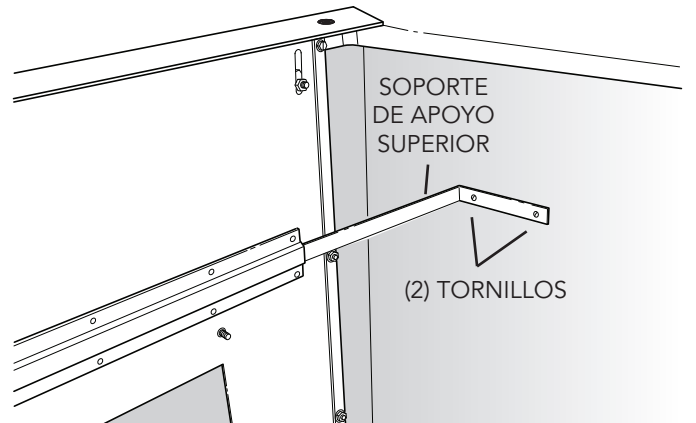
INSTALE LA CUBIERTA EN EL GABINETE



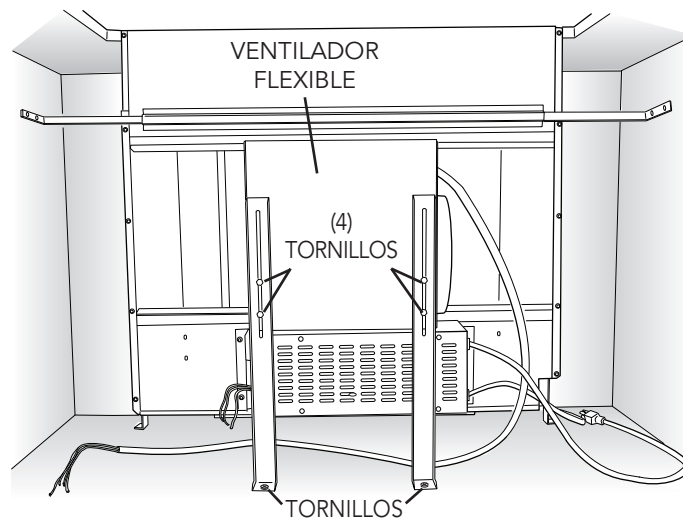
1. Quite la estufa.
2. Fije la cubierta en el gabinete o la abertura de la superficie tan atrás como sea posible y asegúrese de que esté nivelada.



3. Extienda las PATAS DE APOYO y fíjelas a la parte inferior del gabinete con dos (2) TORNILLOS a través de cada pata. Apriete los TORNILLOS HEXAGONALES.



4. Extienda los SOPORTES DE APOYO SUPERIORES y fíjelos a los lados del gabinete con dos (2) TORNILLOS en cada soporte.



Instalaciones que usan el VENTILADOR FLEXIBLE solamente:

5. Afloje los cuatro (4) TORNILLOS que fijan las PATAS DE APOYO DEL VENTILADOR al VENTILADOR FLEXIBLE. Extienda las patas de apoyo y fíjelas a la parte inferior del gabinete con un TORNILLO a través de cada soporte.

INSTALE EL SISTEMA DE CONDUCTOS



PRECAUCIÓN: Antes de hacer la abertura en el gabinete para el sistema de conductos, revise que no haya interferencia con vigas del piso, montantes de la pared, cableado eléctrico ni tubería.

1. Haga el orificio en el gabinete, así como los orificios en la pared o el piso según sea necesario.
2. Monte la tapa de techo o de pared y trabaje hacia atrás, hacia el gabinete, conectando todo el sistema de **conductos, codos y transiciones** como se planeó previamente. Enciente todas las conexiones de los conductos para fijarlas y hacerlas herméticas al aire.
3. Conecte el sistema de **conductos** (y las transiciones, si se requieren) al tiro descendente.

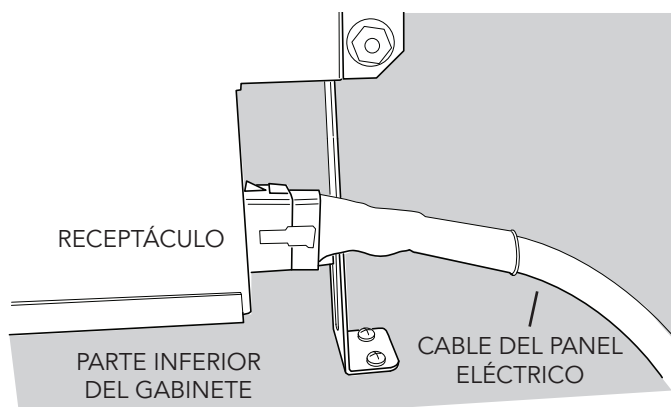
INSTALE EL CABLEADO ELÉCTRICO

Instalaciones que usan el VENTILADOR FLEXIBLE solamente:



PRECAUCIÓN: Una o más personas calificadas deben realizar el trabajo de cableado eléctrico, de acuerdo con todos los códigos y las normas correspondientes.

1. Monte una caja de cableado estándar con un receptáculo para tres patas al alcance del cable de alimentación del tiro descendente.
2. Tienda el cable eléctrico apropiado y conéctelo en el receptáculo.
3. Conecte los cables del ventilador a los cables de la caja de cableado. Conecte negro con negro, blanco con blanco, azul con azul, naranja con naranja, gris con rojo y verde con tornillo de tierra.
4. Vuelva a colocar la cubierta de la caja de cableado.



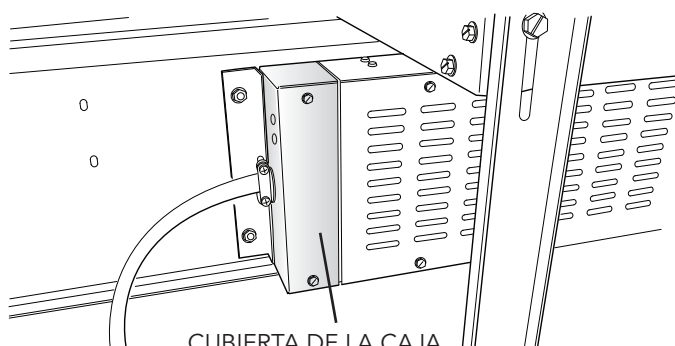
5. Conecte el **CABLE DEL PANEL ELÉCTRICO** en el **RECEPTÁCULO** del lado inferior/derecho de la cubierta del tiro descendente.
6. Conecte el cable eléctrico del tiro descendente en el tomacorriente. Asegúrese de que el cable eléctrico esté tendido lejos del calor generado por la estufa.

Instalaciones con el VENTILADOR REMOTO solamente:



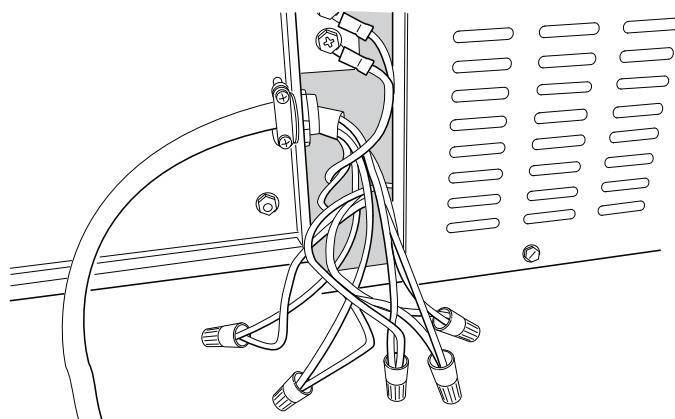
PRECAUCIÓN: Una o más personas calificadas deben realizar el trabajo de cableado eléctrico, de acuerdo con todos los códigos y las normas correspondientes:

1. Monte una caja de cableado estándar con un receptáculo para tres patas al alcance del cable de alimentación del tiro descendente.
2. Tienda el cable eléctrico apropiado en el gabinete y conéctelo en la caja eléctrica y en el receptáculo.
3. Sepuede usar los siguientes ventiladores en línea para exterior: Modelos VDVE900, VDVE1200 - Exterior 120 VAC • 60 Hz • 6.0 A (máx.)



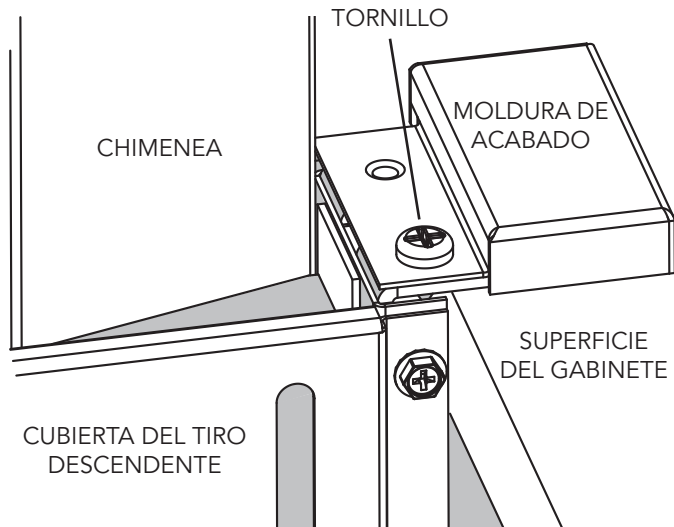
CUBIERTA DE LA CAJA DE CABLEADO

4. Tienda un cable eléctrico de dos hilos y conexión a tierra desde el ventilador exterior o en línea hasta la caja de cableado de la placa del adaptador. Quite la **CUBIERTA DE LA CAJA DE CABLEADO**.



5. Conecte los cables del ventilador al cable de alimentación desde el ventilador exterior o en línea. Conecte negro con negro, blanco con blanco y verde con tornillo de tierra.
6. Vuelva a colocar la cubierta de la caja de cableado.
7. Conecte el **CABLE DEL PANEL ELÉCTRICO** en el **RECEPTÁCULO** del lado inferior/derecho de la cubierta del tiro descendente.
8. Conecte el cable eléctrico del tiro descendente en el tomacorriente. Asegúrese de que el cable eléctrico esté tendido lejos del calor generado por la estufa.

INSTALE LA MOLDURA DE ACABADO



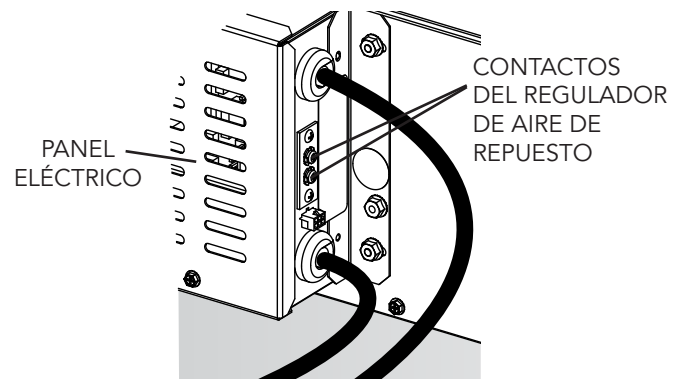
1. Fije la **MOLDURA DE ACABADO** en la parte superior izquierda y superior derecha de la **CUBIERTA DEL TIRO DESCENDENTE** con el tornillo suministrado.

INSTALE EL ELECTRODOMÉSTICO DE COCINA

1. Alinee el electrodoméstico con el tiro descendente y fije el electrodoméstico en su lugar siguiendo las instrucciones del fabricante.

Nota: Es necesario alinear exactamente el electrodoméstico y el tiro descendente para asegurarse de que no haya interferencia cuando el sistema de ventilación se eleve o baje. Debe haber una separación de 1/32 a 1/16 pulg. (0.8 a 1.6 mm) entre la parte posterior de la estufa y la parte frontal de la cubierta del tiro descendente.

REGULADOR DE AIRE DE REPUESTO (OPCIONAL)



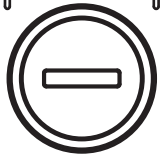
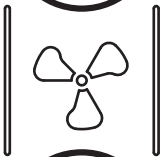
Se conecta a los 2 CONTACTOS en la PANEL ELÉCTRICO.

Es compatible con el regulador G6MD y G8MD.

JUEGO DE MOLDURA PARA ESTUFA (OPCIONAL)

Está disponible para una aplicación con estufa independiente en donde haya una abertura entre la parte posterior de la estufa y el tiro descendente.

FUNCIONAMIENTO



Control del ventilador de 4 velocidades

Control del ventilador de 4 velocidades

Presione el botón + para aumentar la velocidad del ventilador.

Presione el botón - para reducir la velocidad del ventilador.

Una vez que se alcance la velocidad máxima, presione el botón + una vez más para apagar el ventilador.



Luz de tarea de 2 niveles

Luz de tarea de 2 niveles

Presione una vez para el ajuste BAJO.

Presione dos veces para el ajuste ALTO. El icono se iluminará.

Presione tres veces para APAGAR la luz de tarea.



Recordatorio para limpiar el filtro de 30 horas

Recordatorio para limpiar el filtro de 30 horas

El icono de recordatorio de limpieza del filtro se iluminará una vez que transcurran 30 horas de tiempo parpadeará continuamente del ventilador.

Para reiniciarlo, mantenga presionado el icono por 2 segundos o más. El indicador se apagará.



Botón de ascenso/descenso

Botón de ascenso/descenso

Para subir/bajar la chimenea, toque el botón de ascenso/descenso. Cualquier función que esté activada se apagará cuando la chimenea se retraiga. Todas las funciones regresarán a sus configuraciones anteriores cuando se suba la chimenea.

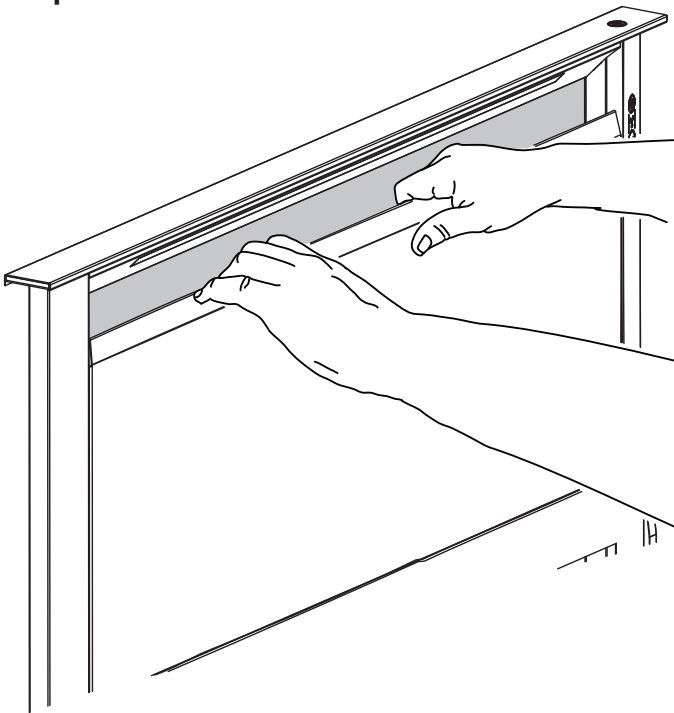
USO Y CUIDADO



ADVERTENCIA: Siempre desconecte el suministro eléctrico antes de limpiar o dar servicio a la unidad.

Siempre encienda el ventilador del tiro descendente antes de comenzar a cocinar para establecer un flujo de aire en la cocina. Después de apagar la estufa, deje que el ventilador funcione durante unos minutos para limpiar el aire de la cocina. Así mantendrá toda la cocina más limpia y brillante.

Limpeza



Para limpiar los filtros de grasa: Retire el panel frontal y quite los dos (2) filtros de grasa. Lave los filtros en una solución suave de detergente o en el lavaplatos. Vuelva a colocar los filtros antes de usar el tiro descendente.

Para limpiar el interior de la chimenea: Quite los filtros. Levante el panel frontal y sáquelo. Utilice un detergente suave. **NO USE PAÑOS ABRASIVOS, ALMOHADILLAS DE LANA DE ACERO NI POLVOS ABRASIVOS.** Vuelva a colocar el panel frontal y los filtros antes de usar el tiro descendente.

Servicio

Es posible que sea necesario quitar el sistema de ventilación de tiro descendente del gabinete para dar servicio a componentes tales como el motor del ventilador o el mecanismo del sistema de ventilación.

Desconecte el suministro eléctrico a la estufa y quítela primero. Invierta los pasos contenidos en la sección "INSTALE LA CUBIERTA EN EL GABINETE" para quitar el tiro descendente del gabinete.

INFORMACIÓN DEL SERVICIO

Solamente se pueden usar piezas de repuesto autorizadas para dar mantenimiento al electrodoméstico. Todo mantenimiento se debe remitir a un técnico calificado.

Comuníquese con Viking Range, LLC, al 1-888-(845-4641), para encontrar el concesionario de piezas de servicio más cercano en su área o escriba a:

VIKING RANGE, LLC
PREFERRED SERVICE
111 Front Street
Greenwood, Mississippi 38930 USA

Anote la información que se indica a continuación. La necesitará en caso de que se requiera algún servicio.

Número de modelo _____

Número de serie _____

Fecha de compra _____

Fecha de la instalación _____

Nombre del concesionario _____

Dirección _____

Estas instrucciones de instalación deben permanecer con la unidad para referencia futura.

GARANTÍA

GARANTÍA DEL TIRO DESCENDENTE GARANTÍA COMPLETA DE UN AÑO

Los tiros descendentes y todas sus piezas componentes, excepto como se detalla a continuación*†, están garantizados como libres de defectos en materiales o mano de obra en uso residencial normal, durante un periodo de uno (1) año a partir de la fecha de la compra minorista original.

Viking Range, LLC, el garante, acepta reparar o reemplazar, a su opción, cualquier pieza que falle o que se encuentre defectuosa durante el periodo de garantía.

***GARANTÍA COSMÉTICA COMPLETA DE NOVENTA (90) DÍAS:** El producto está garantizado como libre de defectos cosméticos en materiales o mano de obra (como rayones en el acero inoxidable, manchas en la pintura/porcelana, etc.) por un periodo de noventa (90) días a partir de la fecha de la compra minorista original o de la fecha de cierre en el caso de construcciones nuevas, cualquiera que sea el periodo más largo. Todo defecto debe informarse al distribuidor que realizó la venta en un plazo de noventa (90) días a partir de la fecha de la compra minorista original. Viking Range, LLC utiliza procesos de alta calidad y los mejores materiales disponibles para producir todos los acabados de color. Sin embargo, tal vez se perciba una ligera variación de color debido a las diferencias inherentes en las piezas pintadas y en las piezas de porcelana, así como diferencias en la iluminación de la cocina, ubicaciones del producto y otros factores. Por lo tanto, esta garantía no se aplica a las variaciones de color atribuibles a dichos factores.

†GARANTÍA COMPLETA DE NOVENTA (90) DÍAS EN APLICACIONES "RESIDENCIAL PLUS": Esta garantía completa aplica a cualquier aplicación en la que el uso del producto se extienda más allá del uso residencial normal, pero el periodo de garantía para los productos utilizados en dichas aplicaciones es de noventa (90) días. Ejemplos de aplicaciones cubiertas bajo esta garantía son alojamientos "bed and breakfast", estaciones de bomberos, clubes privados, iglesias, etc. Bajo esta garantía "Residencial Plus", el producto, sus componentes y accesorios están garantizados como libres de defectos en materiales o mano de obra durante un periodo de noventa (90) días a partir de la fecha de compra minorista original. Esta garantía excluye el uso del producto en toda ubicación comercial como restaurantes, lugares de servicios alimenticios y lugares de servicios alimenticios institucionales.

GARANTÍA LIMITADA DE CINCO AÑOS EN LOS MOTORES DE VENTILACIÓN

Todo motor de ventilador que falle debido a defectos en materiales o mano de obra (excluye los fallos cosméticos) en uso casero normal durante el intervalo del cuarto al quinto año a partir de la fecha de la compra minorista original será reparado o reemplazado, libre de cargo por la pieza misma, donde el propietario pagará todos los demás costos, incluida la mano de obra. Esto no incluye sistemas de encendido, bases de quemadores, etc.

TÉRMINOS Y CONDICIONES

Esta garantía se extiende al comprador original del producto garantizado al amparo de la presente, y a cada propietario a quien se transfiera el producto durante la vigencia de la garantía y se aplica a productos adquiridos y ubicados en los Estados Unidos, México y el Caribe (excepto en Cuba, República Dominicana y Haití). Los productos se deben comprar en el país donde se solicite el servicio. Si el producto o una de sus piezas componentes contienen un defecto o falla durante el periodo de garantía completa, después de una cantidad razonable de intentos por parte del garante para remediar el defecto o la falla, el propietario tiene el derecho de recibir un reembolso o reemplazo del producto o de su pieza o piezas componentes. El reemplazo de una pieza componente incluye su instalación gratuita, con excepción de lo especificado bajo la garantía limitada. Según los términos de esta garantía, el servicio debe ser realizado por un agente o representante de servicio autorizado por la fábrica de Viking Range, LLC. El servicio se brindará en horario comercial normal, y la mano de obra realizada en horas extra o a tarifas de primer nivel no quedará cubierta por esta garantía.

El propietario será responsable de la instalación adecuada, de suministrar el mantenimiento necesario y razonable, de presentar un comprobante de compra previa solicitud, y de hacer que el electrodoméstico sea accesible razonablemente para el servicio. La devolución de la tarjeta de registro del propietario no es una condición de cobertura de la garantía. Sin embargo, debe devolver la tarjeta de registro del propietario para que Viking Range, LLC pueda comunicarse con usted en caso de que surja alguna situación de seguridad que lo pueda afectar.

Esta garantía le otorga derechos legales específicos, y usted puede tener otros derechos que varían de una jurisdicción a otra.

LO QUE NO SE CUBRE BAJO ESTA GARANTÍA: Esta garantía no se aplicará a daños que resulten por abuso, por no suministrar el mantenimiento necesario y razonable, por accidente, entrega, negligencia, desastre natural, pérdida de energía eléctrica al producto por cualquier razón, alteración, uso en exteriores, instalación inadecuada, funcionamiento, reparación o servicio inadecuados al producto por cualquier entidad que no sea una agencia o representante de servicio autorizado por Viking Range, LLC. Esta garantía no se aplica al uso comercial.

LIMITACIÓN DE RECURSOS Y DURACIÓN DE LA GARANTÍA IMPLÍCITA. EL ÚNICO Y EXCLUSIVO RECURSO DEL PROPIETARIO PARA UN RECLAMO DE CUALQUIER TIPO CON RESPECTO A ESTE PRODUCTO SERÁN LOS RECURSOS ESTABLECIDOS ARRIBA. VIKING RANGE NO SE HACE RESPONSABLE POR LOS DAÑOS INCIDENTALES O RESULTANTES, QUE INCLUYEN, ENTRE OTROS, LA PÉRDIDA DE ALIMENTOS O MEDICAMENTOS DEBIDO AL FALLO DEL PRODUCTO, YA SEA QUE SURJAN POR INCUMPLIMIENTO DE LA GARANTÍA, INCUMPLIMIENTO DE CONTRATO O DE OTRA INDOLE. Algunas jurisdicciones no permiten la exclusión o limitación de daños incidentales o consecuentes, por lo que la limitación o las exclusiones antes mencionadas podrían no aplicarse a usted. **CUALQUIER GARANTÍA IMPLÍCITA DE COMERCIALIZACIÓN O APTITUD PARA UN PROPÓSITO EN PARTICULAR QUE SE APLIQUE A ESTE PRODUCTO SE LIMITA A LA DURACIÓN DEL PERIODO DE COBERTURA DE LAS GARANTÍAS LIMITADAS Y EXPRESAS POR ESCRITO CORRESPONDIENTES, ESTABLECIDAS ANTERIORMENTE.** Algunos estados no permiten limitaciones en la duración de una garantía implícita, así que la limitación anterior tal vez no aplique en su caso.

SERVICIO BAJO LA GARANTÍA

Para obtener el servicio de garantía, comuníquese con un representante de servicio autorizado de Viking Range, LLC, o con Viking Range, LLC 111 Front Street, Greenwood, Mississippi 38930, al (888) 845-4641. Proporcione el modelo, el número de serie y la fecha de la compra original o la fecha de cierre en el caso de una nueva construcción. Para obtener el nombre de su agencia de servicio autorizada de Viking Range, LLC más cercana, comuníquese con Viking Range LLC.

IMPORTANTE: Conserve el comprobante original de la compra para establecer el periodo de garantía.

Las especificaciones están sujetas a cambios sin previo aviso.

VIKING RANGE, LLC
111 Front Street
Greenwood, Mississippi 38930 USA
(662) 455-1200