



Install Guide

5 Series Built-In Bottom-Freezer Refrigerator
VCBB5364 / FDBB5364



Table of Contents

| | |
|---|----|
| Warnings and Important Information | 2 |
| Tipping Radius and Door Swing | 4 |
| Professional Bottom-Freezer | |
| Dimensions | 5 |
| Specifications | 6 |
| Cutout Dimensions | 7 |
| Anti-Tip Dimensions (36") | 8 |
| Cabinet Information (Professional) | 9 |
| Cabinet Information (Professional Flush Mount /Overlay Model) | 10 |
| Overlay Panel Dimensions | 11 |
| Custom Grille Dimensions | 12 |
| Custom Grille Dimensions (Dual) | 13 |
| Custom Panel Installation | 14 |
| Custom Panel Hinge Cutout | 17 |
| Custom Grille Installation | 18 |
| General Information | 19 |
| Unpacking & Moving | 21 |
| Flush Mount Side Trim Installation | 22 |
| Installation | 23 |
| Hinge and Door Adjustment | 25 |
| Kickplate Installation | 26 |
| Door Stop Adjustment (Bottom Freezer) | 26 |
| System Specifications and Data | 27 |
| Final Installation | 28 |
| Performance Checklist | 29 |
| Control Panels | 29 |
| Service & Registration | 30 |

Your safety and the safety of others is very important.

We have provided many important safety messages in this manual and on your appliance. ALWAYS read and obey all safety messages.



This is the safety alert symbol. This symbol alerts you to hazards that can kill or hurt you and others.

All safety messages will be preceded by the safety alert symbol and the word "DANGER" or "WARNING." These words mean:

▲ DANGER

You will be killed or seriously injured if you don't follow instructions.

▲ WARNING

You can be killed or seriously injured if you don't follow instructions.

All safety messages will identify the hazard, tell you how to reduce the chance of injury, and tell you what can happen if the instructions are not followed.

This unit is under pressure with explosive R600A Gas



▲ WARNING



RISK OF FIRE / FLAMMABLE MATERIAL

Contains R600a refrigerant. To be repaired only by trained service personnel. DO NOT puncture refrigerant tubing.

▲ WARNING



ELECTRICAL SHOCK HAZARD

Disconnect power or turn power disconnect switch to OFF position before removing top grille. Failure to do so can result in death or electrical shock.

IMPORTANT – Please Read and Follow!

- Make sure that incoming voltage is the same as unit rating. An electric rating plate specifying voltage, frequency, wattage, amperage, and phase is attached to the product.
- To reduce the risk of fire, electrical shock, or injury to persons, installation work and electrical wiring must be done by a qualified technician in accordance with all applicable codes and standards, including fire-rated construction.
- Maximum altitude installation - 10,000F (3000m)
- The installer should leave these instructions with the consumer who should retain them for local inspector's use and for future reference.

For additional information or installation videos, visit our website at www.vikingrange.com

It is your responsibility to:

- comply with installation specifications and dimensions.
- properly install unit.
- remove any moldings or decorative panels that prevent the unit from being serviced.
- make sure that you have these materials (not provided with your unit), which are necessary for proper installation:
 - 1/4" (6 mm) copper tubing with shutoff valve
 - 1– Saddle valve (do not use self-piercing feature of the valve)
- assure that floor will support unit, door panels and contents (approximately 1200 pounds [540 kg]).
- provide a properly grounded electrical outlet.
- assure that location will permit appliance doors to open 90° minimum.

Required tools

- Drill
- Drill bits - 3" Phillips (PH2)
- Rubber mallet
- 3/8" wrench
- Ratchet with extension - 1/4" and 5/16" hex drive.

- To reduce the risk of fire, electrical shock, or injury to persons, installation work and electrical wiring must be done by a qualified technician in accordance with all applicable codes and standards.
- The installers should leave these instructions with the consumers who should retain them for local inspector's use and for future reference.
- The electrical supply for this unit should comply with the latest local building codes or in the absence of local codes the latest NFPA-70 (national electrical code). The unit requires a grounded and polarized 115 VAC, 60 Hz, 15A power supply (normal household current). An individual, properly grounded branch circuit or circuit breaker is recommended. A GFCI (ground fault circuit interrupter) is not recommended for your unit because it could be prone to nuisance tripping.

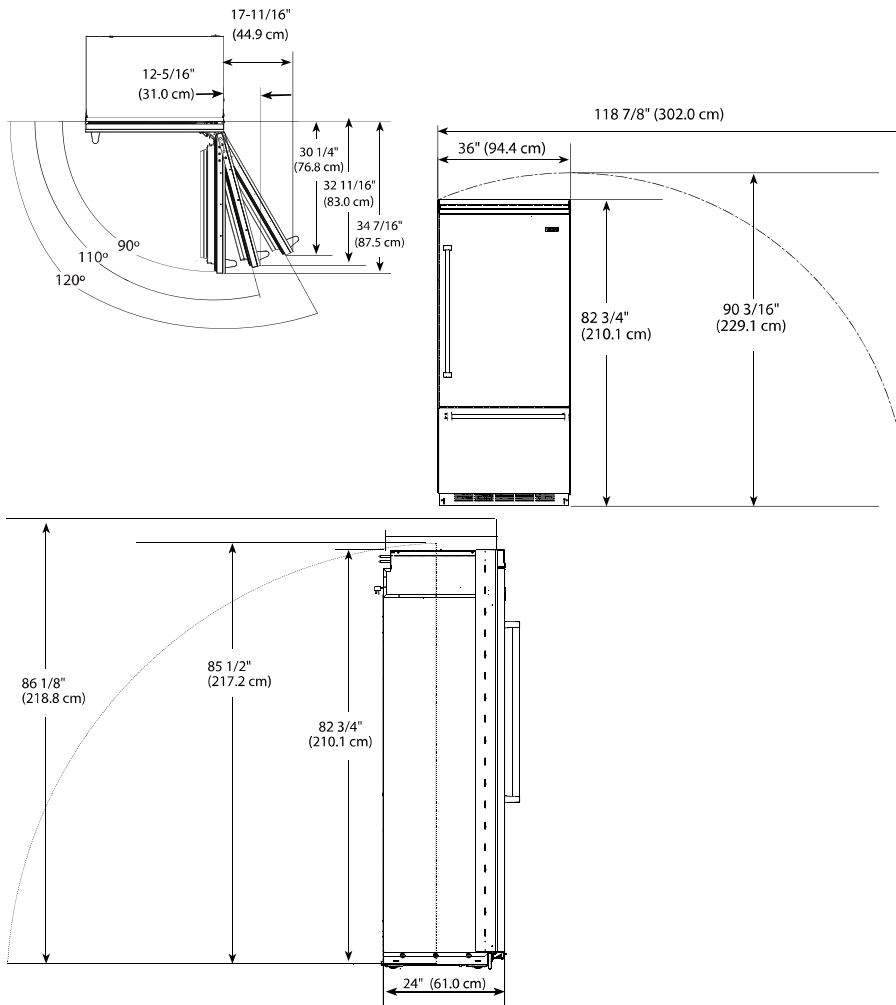
⚠ WARNING

TIP OVER HAZARD
Appliance is top heavy and tips easily when not completely installed. To avoid a hazard due to instability of the appliance, it must be installed according to the instructions including the anti-tip boards.

Use two or more people to move and install appliance. Failure to do so can result in death or serious injury. Most of the unit's weight is at the top. Extra care is needed when moving the unit to prevent tipping. Use cardboard shipping material or plywood under unit until it is installed in the operating position to protect floor surface.

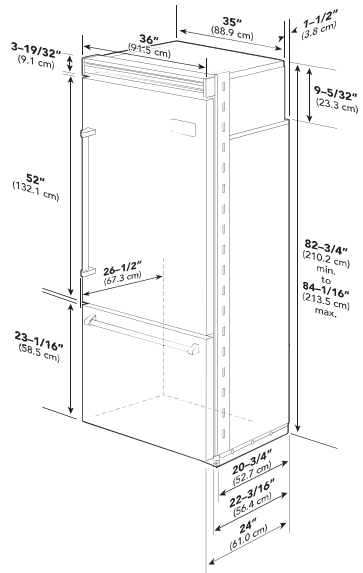
Tipping Radius and Door Swing

NOTE: When tipping unit, lean product to left side ONLY. Leaning unit to the right or rear sides will result in damage to the partson the bottom and will cause the compressor oil to leak into the sealed system. This will cause improper cooling. Drawings below are for dimensional references only.



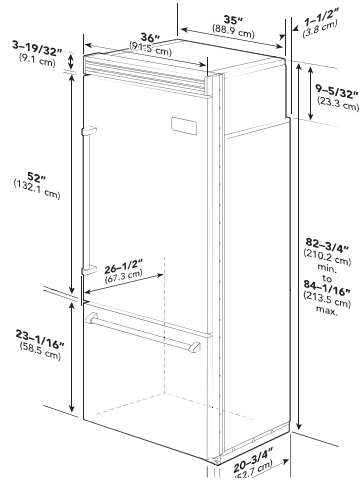
Dimensions (Bottom-Freezer)

36" Bottom-Freezer

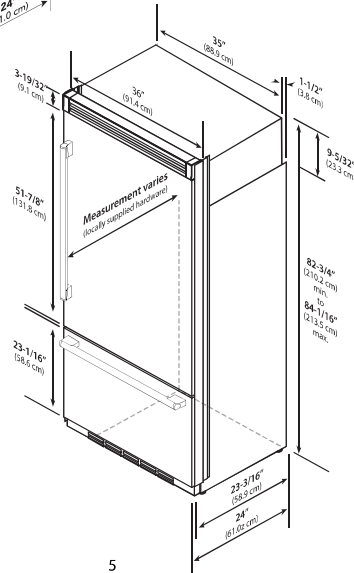


36" Bottom-Freezer with Flush Mount Trim

Note: Flush Mount Trim (PBIRFKSS) purchased separately.



36" Overlay Bottom-Freezer



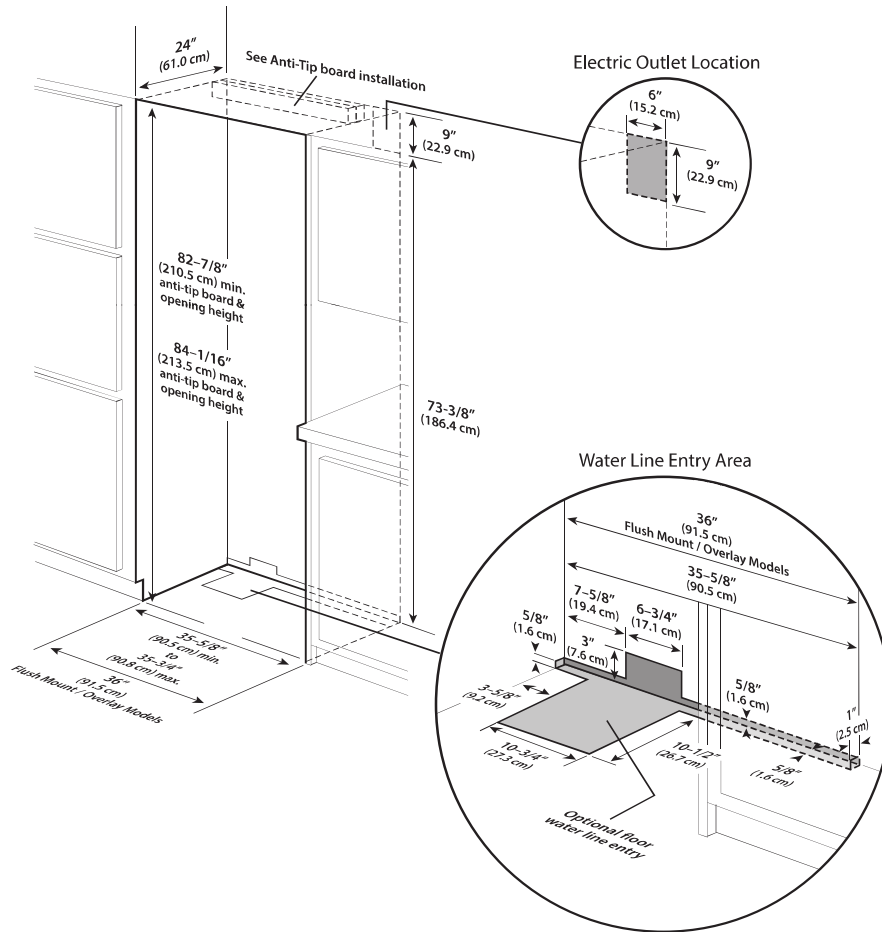
Specifications (Bottom-Freezer)

| 36" Bottom Freezer | | |
|------------------------------|---|--------------------|
| Description | VCBB/ | VCBB W/FLUSH MOUNT |
| Overall width | 36" (91.5 cm) | |
| Overall height (from bottom) | 82-3/4" (210.2 cm) min. to 84-1/16" (213.5 cm) max. | |
| Overall depth from rear | | |
| To front edge of side trim | 22-3/16" (56.4 cm) | 23-3/8" (59.4 cm) |
| To front of top grille | 24" (61.0 cm) | 24" (61.0 cm) |
| To front of handle endcap | 26-1/2" (67.3 cm) | 26-1/2" (67.3 cm) |
| Cutout width | 35-5/8" (90.5 cm) min. to 35-3/4" (90.8 cm) max. | 36" (91.5 cm) |
| Cutout height | 82-7/8" (210.5 cm) min. to 84-1/16" (213.5 cm) max. | |
| Cutout depth | 24" (61.0 cm) min. | |
| Electrical requirements | 115 volt, 60 Hz, 15 amp dedicated circuit; 3-wire cord with grounded 3-prong plug attached to product | |
| Maximum amp usage | 9.9 amps | |
| Inlet water requirements | 1/4" copper tubing inlet waterline; minimum 20 psi; maximum 120 psi | |
| Overall interior dimensions | | |
| Refrigerator | 15.3 cu. ft. (434 liters) | |
| Freezer | 5.1 cu. ft. (145 liters) | |
| Total capacity | 20.4 cu. ft. (579 liters) | |
| Approximate shipping weight | 565 lbs. (254.3 kg) | |

| 36" Bottom Freezer | |
|------------------------------|---|
| Description | FDBB |
| Overall width | 36" (91.5 cm) |
| Overall height (from bottom) | 82-3/4" (210.2 cm) min. to 84-1/16" (213.5 cm) max. |
| Overall depth from rear | |
| To front edge of side trim | 23-3/16" (58.9 cm) |
| To front of top grille | 24" (61.0 cm) |
| Cutout width | 36" (91.5 cm) |
| Cutout height | 82-7/8" (210.5 cm) min. to 84-1/16" (213.5 cm) max. |
| Cutout depth | 24" (61.0 cm) min. |
| Electrical requirements | 115 volt, 60 Hz, 15 amp dedicated circuit; 3-wire cord with grounded 3-prong plug attached to product |
| Maximum amp usage | 9.9 amps |
| Inlet water requirements | 1/4" copper tubing inlet waterline; minimum 20 psi; maximum 120 psi |
| Overall interior dimensions | |
| Refrigerator | 15.3 cu. ft. (434 liters) |
| Freezer | 5.1 cu. ft. (145 liters) |
| Total capacity | 20.4 cu. ft. (579 liters) |
| Approximate shipping weight | 500 lbs. (227.3 kg) |

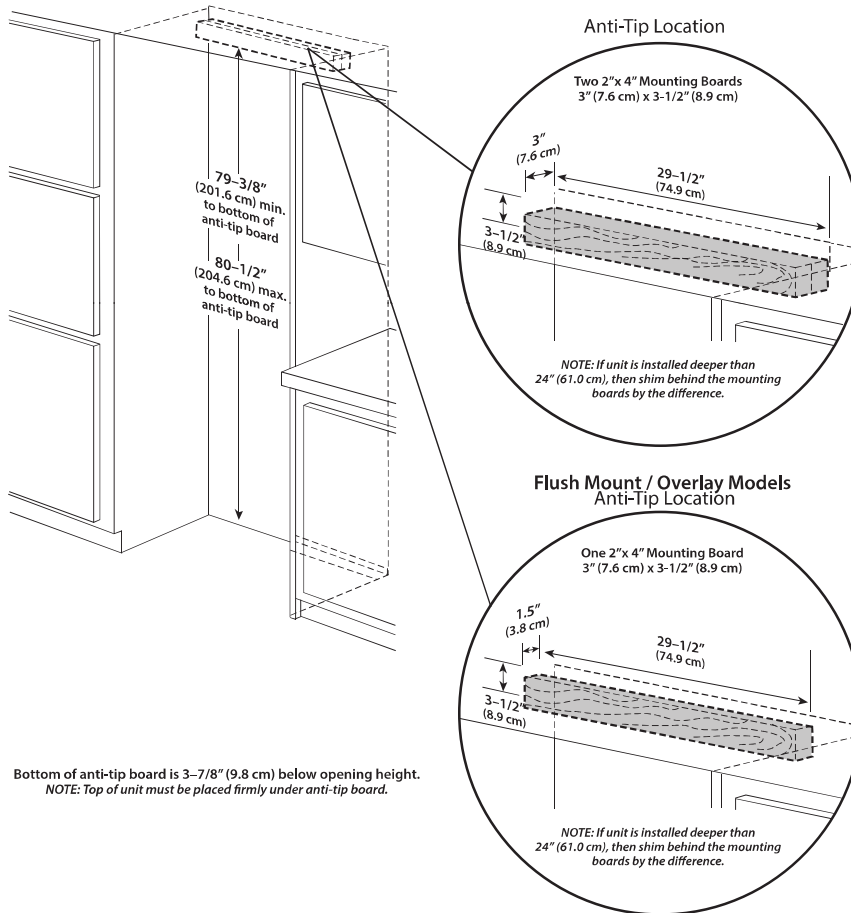
Cutout Dimensions (Bottom-Freezer)

36" Bottom-Freezer



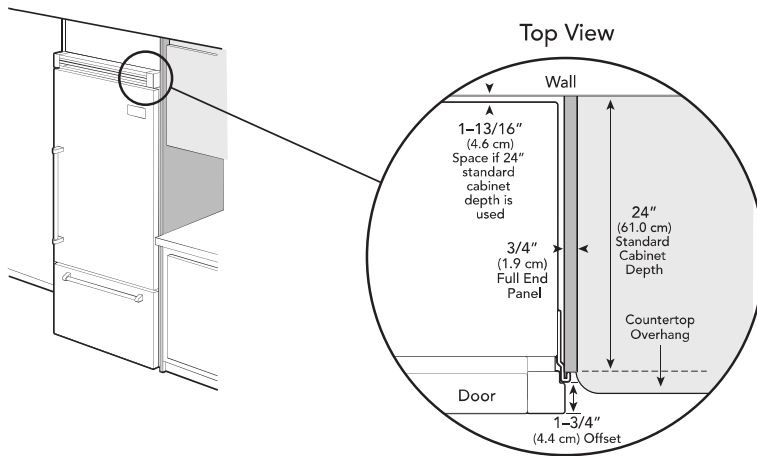
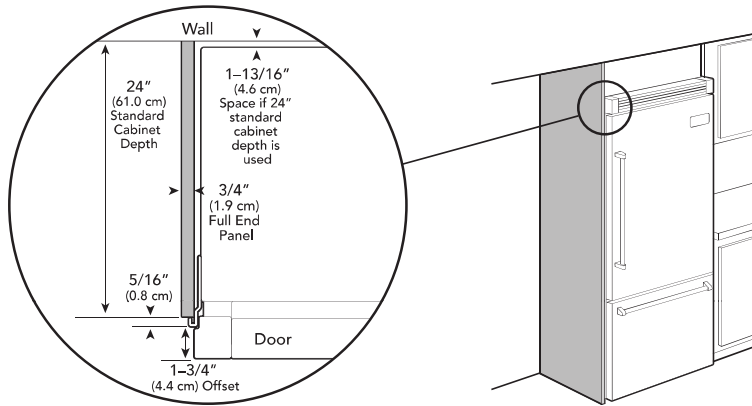
Anti-Tip Dimensions (Bottom-Freezer)

36" Bottom-Freezer



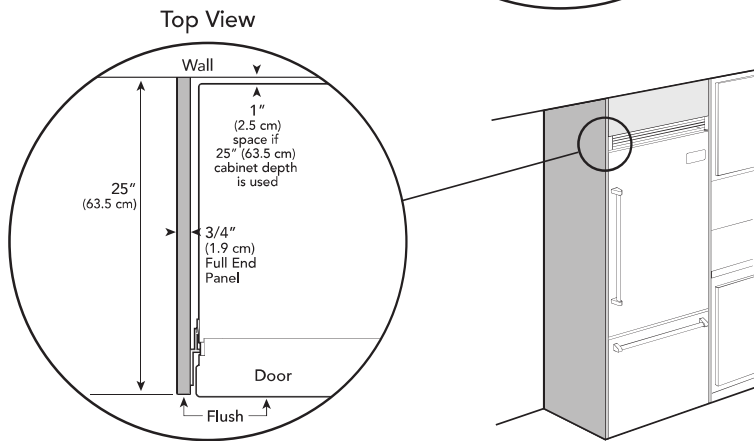
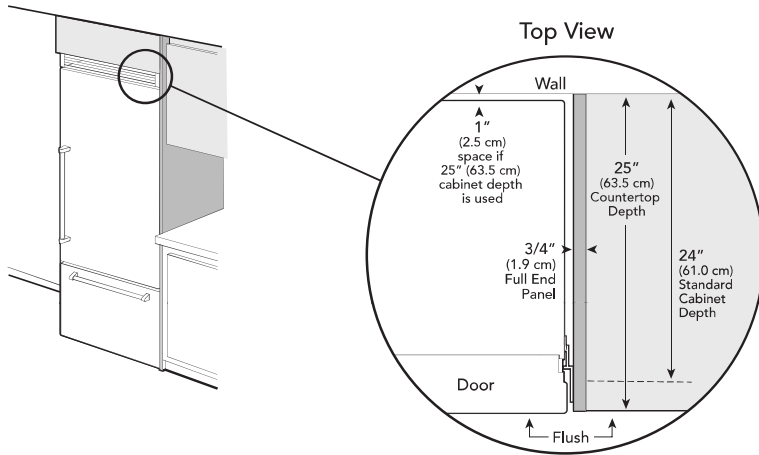
Cabinet Information (Professional)

Professional models fit "semi-flush" in standard 24" (61.0 cm) deep cabinet openings. The door face protrudes 2-1/16" (5.2 cm) from the cabinet face. The handle protrudes an additional 2-1/2" (6.4 cm) into the room.

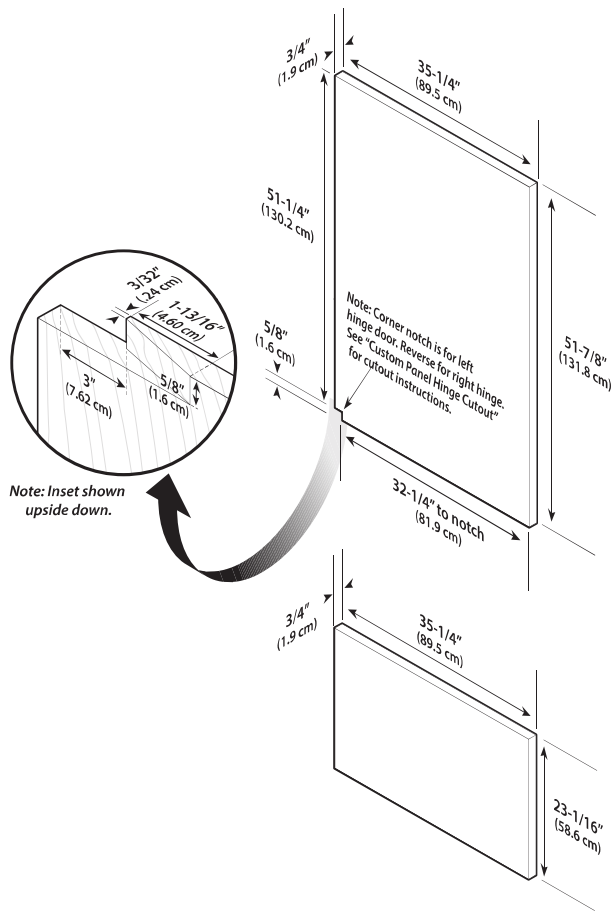


Cabinet Information (Professional Flush Mount Trim / Overlay Models)

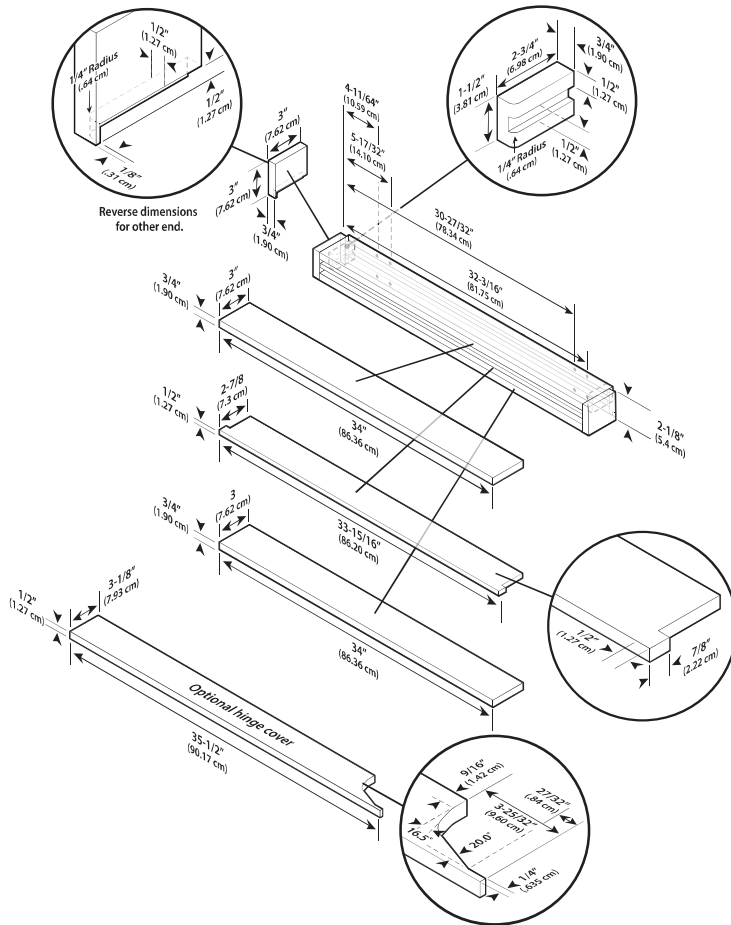
Professional models with flush mount trim fit flush in standard 24" (61.0 cm) deep cabinet openings with no protrusion into the room except the handle protrudes 2-1/2" (6.4 cm) into the room.



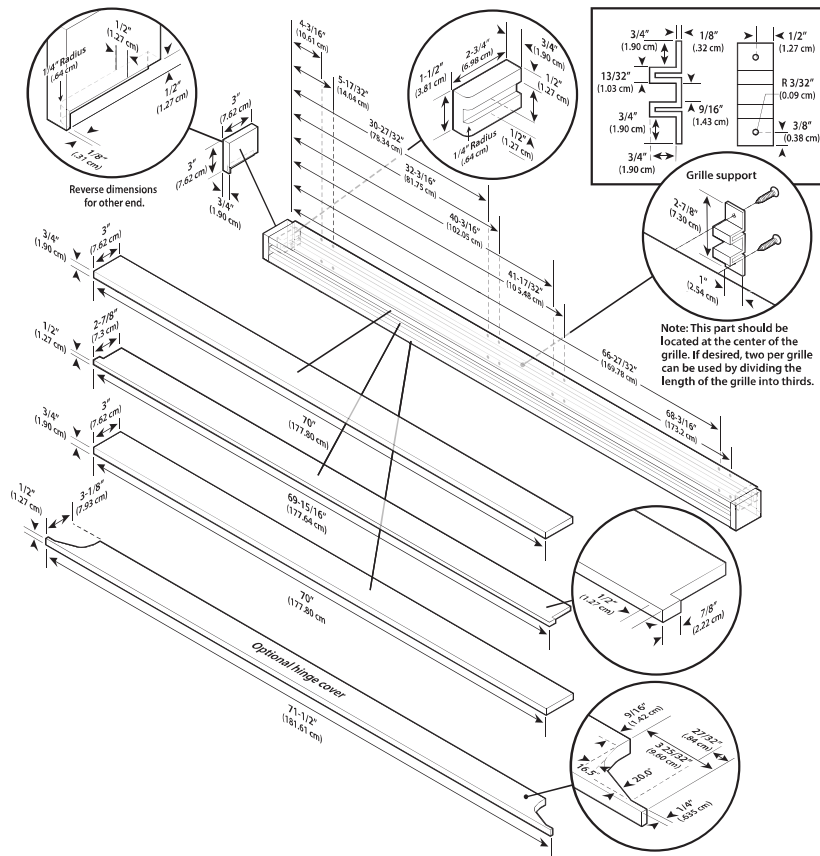
Overlay Panel Dimensions



Custom Grille Dimensions



Custom Grille Dimensions (Dual Installation)



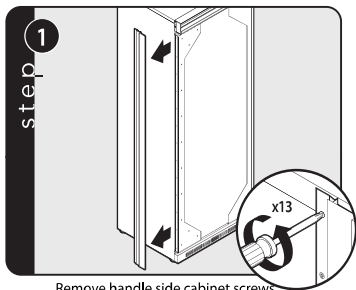
Custom Panel Installation (Refrigerator Door)

Custom finishing options

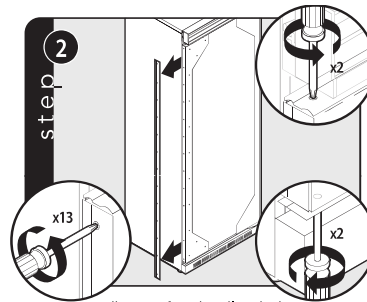
- All installations must allow for the refrigerator and freezer door to open a minimum of 90°.
- For side wall or corner installation, allow for a standard 3" (7.6 cm) cabinet filler to assure door(s) opens 90°.

- Panel thickness must not exceed 1" (2.5 cm) on hinge side. Thicker panels will interfere with door swing and clearance.
- Door panels should be installed after the refrigerator has been plugged in for at least 24 hours.

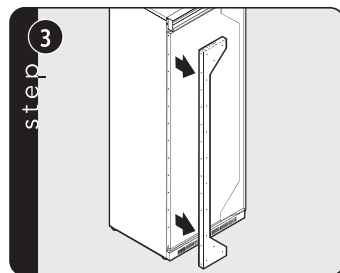
Note: If a custom handle is used, a wider filler may be necessary.



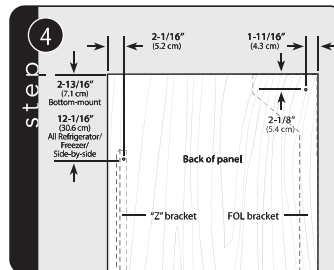
Remove handle side cabinet screws and trim with a phillips screwdriver



Remove all screws from handle side door trim. Remove two screws from top and bottom door trim. Remove handle side door trim.

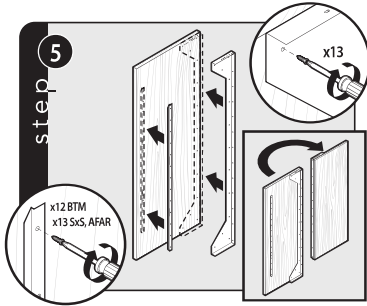


Remove bracket.

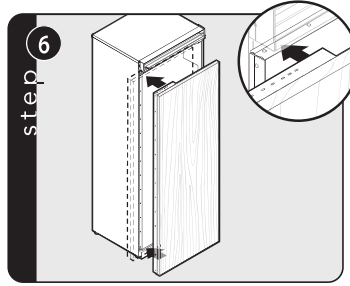


Measure and mark the first hole for each bracket.

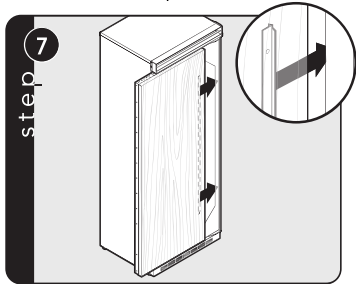
Custom Panel Installation (Refrigerator Door)



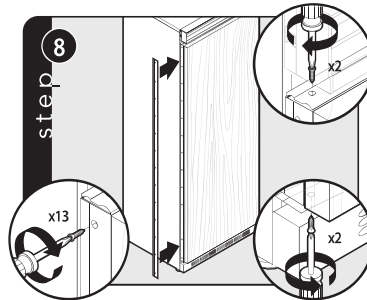
Attach "Z" bracket to the hinge side of custom panel. Attach bracket to the handle side of custom panel.



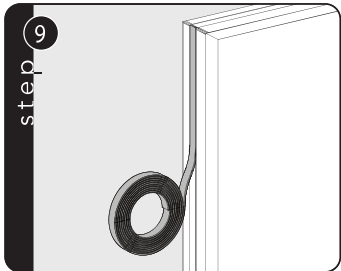
Push custom wood panel onto door



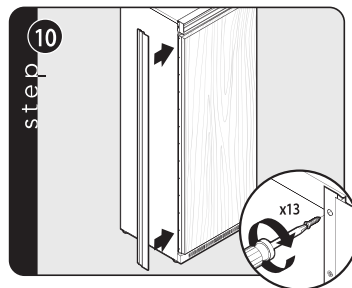
Slide custom wood panel to the hinge side, ensuring "Z" bracket engages the door bracket.



Reinstall handle side door trim and door trim screws.

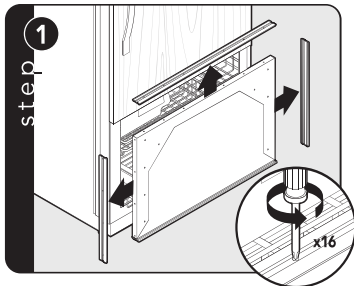


Use the roll of trim insert located in the drawer inside the unit to apply to the door trim.

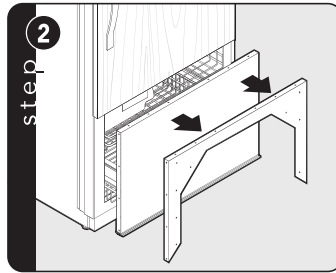


Reinstall cabinet trim and screws.

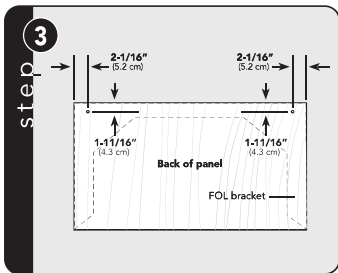
Custom Panel Installation(Freezer Door)



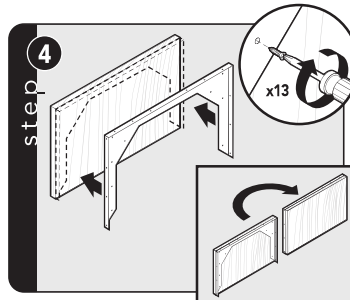
Open freezer door. Remove door trim screws and door trim with a phillips screwdriver.



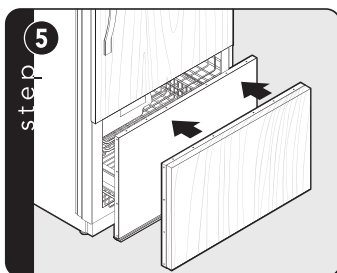
Remove bracket



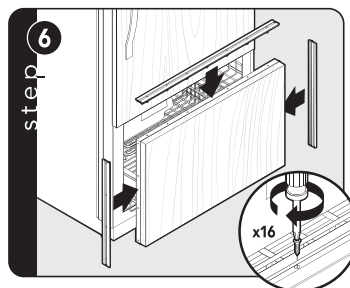
Measure and mark the first hole on each side of the bracket.



Attach bracket to the custom panel.

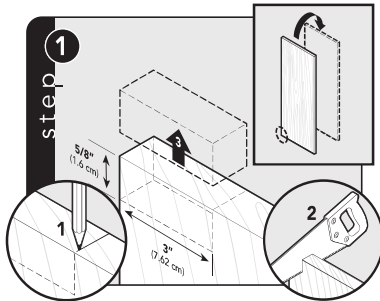


Align and slide custom wood panel onto door

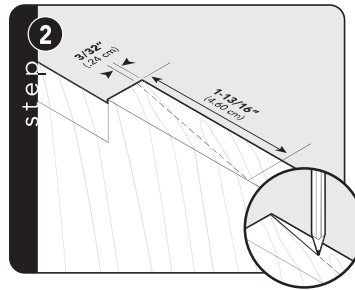


Reinstall door trim and door trim screws

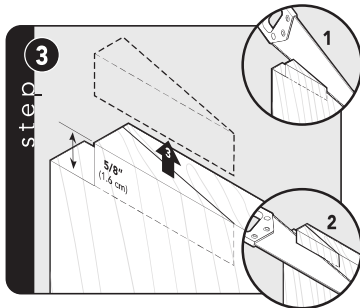
Custom Panel Hinge Cutout (if required)



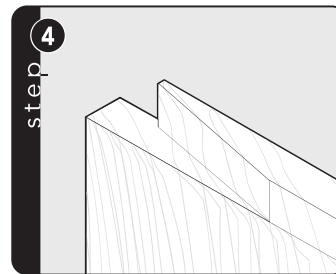
For a left hinge door, cut $5/8"$ x $3"$ in lower left corner.
Note: Steps show panel upside down and notched for left hinge application. Mirror dimensions for right hinge door



Measure and cut $2-1/16"$ (5.2 cm) diagonal in lower left corner.

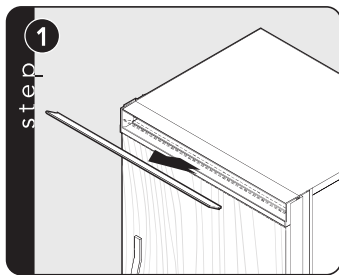


Cut out diagonal in lower left corner

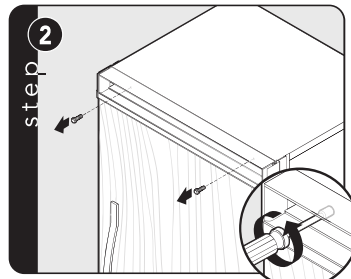


Final view of lower corner.

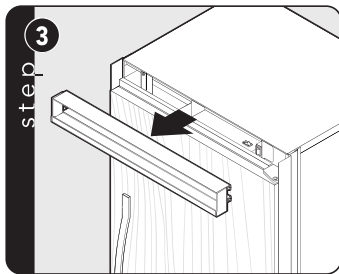
Custom Grille Installation



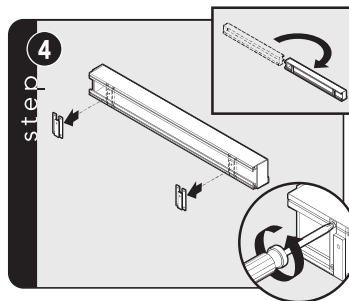
Remove air grille center blade.



Remove two 1/4" (0.6 cm) screws with a magnetic extended screwdriver at least 8" (20.3 cm) long.

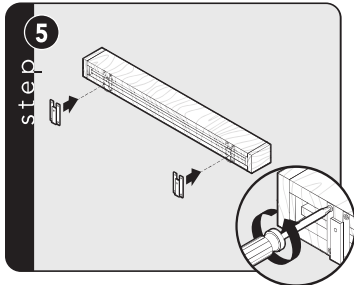


Pull air grille assembly forward.

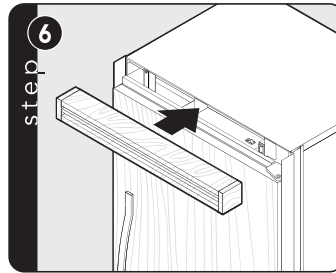


Remove 2 mounting brackets from the grille air assembly.

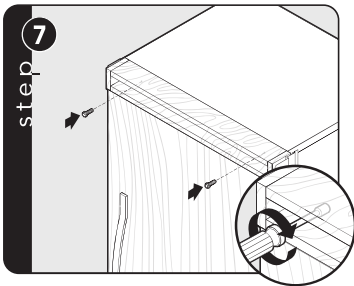
Custom Grille Installation



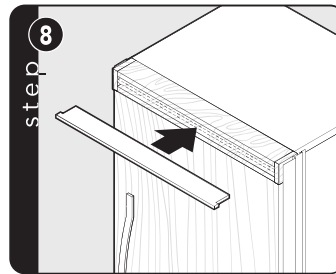
Using eight screws removed from the mounting brackets, attach mounting brackets to the custom wood grille using predrilled pilot holes. (See grille overlay specifications for proper alignment and pilot hole placement.)



Insert custom air grille assembly



Install two 1/4" (0.6 cm) screws with a magnetic extended screwdriver at least 8" (20.3 cm) long.



Install custom air grille center blade.

General Information

Area Requirements

Verify the following:

- Unit can fit into residence and can be moved around corners and through doorways.
- Floors can support unit's weight plus food weight (approximately 1200 pounds [540 kg] per unit).
- Floors underneath refrigerator are level with surrounding finished floor.
- Remove anything attached to rear or side walls that can obstruct unit installation.
- Cutout dimensions are accurate.
- Electrical outlet is in correct location.
- Water line is in correct location.
- **DO NOT** install a refrigeration unit near a heat source, nor in a location where the surrounding temperature will fall below 60° F (16° C).
- Keep ventilation openings clear of obstructions.

Electrical Requirements

It is the customer's responsibility to:

- Contact a qualified electrical installer.
- Assure that the electrical installation is adequate and in conformance with the National Electrical Code, ANSI/NFPA 70-latest edition or Canadian Electrical Code C22.1-1998 and C22.2 No. 0-M91 (or latest edition), and all local codes and ordinances.

A 115 volt, 60-Hz, 15 amp, fused, electrical supply is required. It is required that a separate circuit serving only this appliance be provided. In a dual installation, each appliance must have a separate 115 volt, 60-Hz, 15 amp, fused, electrical supply. This appliance is equipped with a power supply cord having a 3-prong grounding plug. To minimize possible shock hazard, the cord must be plugged into a mating 3-prong, grounding-type wall receptacle.

DO NOT use an extension cord or ungrounded (two-prong) adapter.

If codes permit a separate grounding wire to be used, it is recommended that a qualified electrician determine that the grounding path is adequate.

DO NOT ground to a gas line. Check with a qualified electrician if you are not sure if the appliance is properly grounded. **DO NOT** have a fuse in the neutral or grounding circuit.

Anti-Tip Requirements

The anti-tip boards should be fastened into position prior to moving the unit into the opening.

⚠ WARNING

When positioning the appliance, make sure the power cord is not trapped or damaged. If the power cord is damaged, it must be replaced by the manufacturer, its service agent or similarly qualified persons in order to avoid a hazard.

⚠ WARNING

Do not locate multiple portable socket-outlets or portable power supplies at the rear of the appliance.

Water Supply Requirements

⚠ WARNING

To avoid serious illness or death, **DO NOT** use unit where water is microbiologically unsafe or of unknown quality, without adequate disinfection before or after the system. Connect only to a potable water supply. Systems certified for cyst reduction may be used on disinfected water that may contain filterable cysts. The contaminants or other substances removed or reduced by this water treatment system are not necessarily in your water.

⚠ CAUTION

Be sure to have a replacement cartridge available when filter change is required.

- If water filtration system has been allowed to freeze, replace filter cartridge.
- If system has not been used in several months, and water has an unpleasant taste or odor, flush system by dispensing 2-3 glasses of water. If unpleasant taste or odor persists, change filter cartridge.

Use only 1/4" (6 mm) copper tubing for water line. **DO NOT** install copper tubing in area where temperatures drop below 35° F (1.7° C). Before attaching copper tubing to the unit, flush at least 2 quarts (1.9 L) of water through the copper tubing and into a bucket to remove any particles in the water line.

Viking Range, LLC is not responsible for property damage due to improper installation or water connection.

- Connect 1/4" (6 mm) flexible copper tubing to household plumbing in compliance with local codes and ordinances.
- Length of copper tubing must reach from water supply connection to the unit connection with an additional length to facilitate moving the unit out of enclosure for cleaning or service. Tubing should be soft instead of rigid and ends should be free of burrs.
- Copper tubing route must be above 35° F (1.7° C) to prevent water line from freezing.
- **DO NOT** use plastic water lines from the household plumbing to the water inlet valve connection on the refrigeration unit.
- **DO NOT** use the self-piercing feature of a saddle valve. The hole made by the piercing lance is too small for the water flow rate required by the ice maker.
- If saddle valve is not used, place a separate shut-off valve in an easily accessible location between water supply and the unit. **DO NOT** install shut-off valve behind the unit.
- The installation of Viking units with a reverse osmosis system is acceptable **as long as the water pressure remains within the allowable PSI as stated below**. It is important to note that with many reverse osmosis systems, the pressure starts off high, but then it decreases as the water level of the reverse osmosis storage area drops. This must be considered when checking the water pressure coming into the unit.

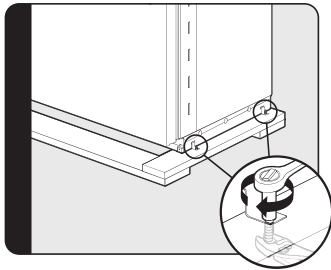
General Information

- Connect a vertical or horizontal 1/2" (1.3 cm) to 1-1/4" (3.2 cm) COLD water line near water area.
- Run water line through the floor, back, or side wall. Tubing should lay flat on floor underneath the unit. Clamp tubing to wall or floor.
- Water pressure must be greater than 20 psi and less than 120 psi on non-dispensers and greater than 35 psi and less than 120 psi on dispensers.

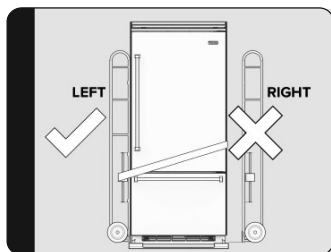
Moving Unit

- Lean unit to left side ONLY when transporting to install location.
- Leaning on right side or rear will result in damage to the parts on the bottom of the unit. Tipping to the right side will cause the compressor oil to leak into the sealed system and will cause the unit to improperly cool.

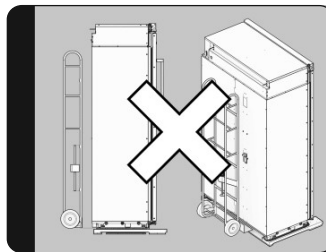
Proper Use of Dolly



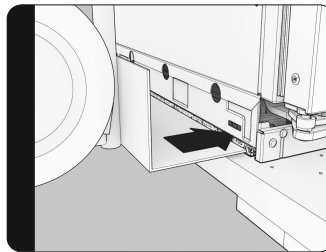
Remove shipping brackets from skid by removing four bolts (two on each side) with a 1/2" (1.3 cm) deep-well socket wrench and a pair of pliers. *Note: Tilting unit is not required to remove shipping brackets.*



Dolly is to be placed on the LH side to prevent damage to parts on the bottom of the unit



Do not place dolly at back of unit



Slip appliance dolly between unit and skid. Remove unit from skid. *Note: Use excess packaging to protect decorative trim; also, verify that leveling legs are up (0° adjustment).*

Tip Over Hazard

Appliance is top heavy and tips easily when not completely installed. To avoid a hazard due to instability of the appliance, it must be installed according to the instructions including the anti-tip boards. Use two or more people to move and install appliance. Failure to do so can result in death or serious injury.

Unpacking Unit

1. Remove top and bottom strap.
2. Remove top cap.
3. Cut carton rear approximately 1/4" (0.6 cm) to 1" (2.5 cm) from right corner with a utility knife extended 1/4" (0.6 cm).
4. Remove carton and exterior packaging. Save cardboard shipping material to protect floor surface when installing unit. Remove anti-tip board and kickplate from rear of unit.

Flush Mount Side Trim Installation (Sold Separately)

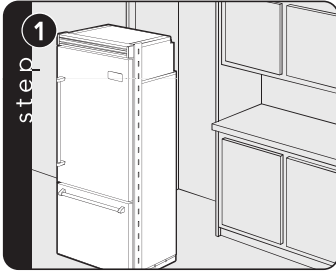
Note: If the unit is to be installed flush with the cabinets, the flush mount side trim must be installed first. If not, skip to "Installation".

Step 1 - Locate the necessary parts: Two (2) flush mount trim pieces and a hardware kit with twenty-two (22) screws.

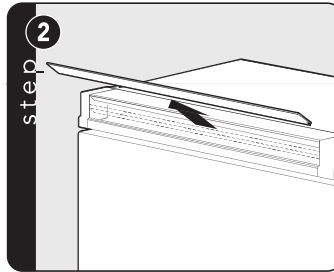
Step 2 - Remove the side trim on the refrigerator and discard the trim and screws.

Step 3 - Align the top of the flush mount side trim with the top of the unit's machine compartment. Using the screws included in the hardware kit, attach the side trim to the unit, only using the holes visible through the side trim. **Note: DO NOT use the screw holes in the machine compartment.**

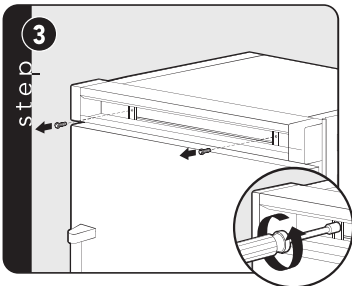
Installation



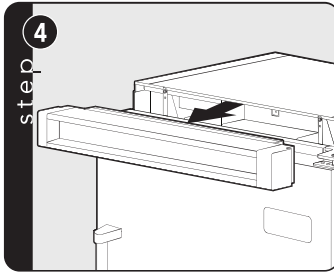
Place unit in front of cutout.



Pull the center grille louver up at an angle and pull out.

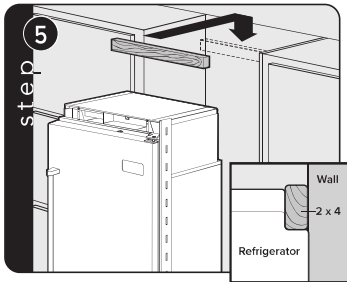


Using an 8" (20.3 cm) magnetic nut driver, remove the two 1/4" (0.6 cm) screws.

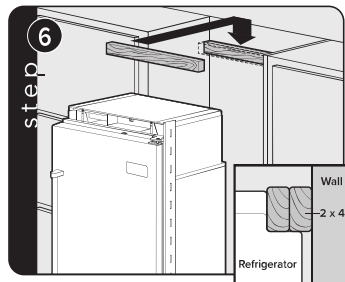


Remove grille assembly.

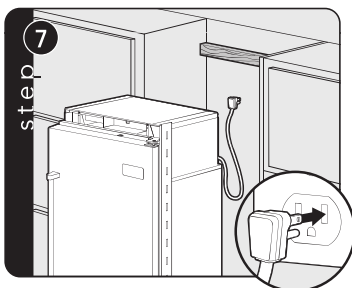
Installation



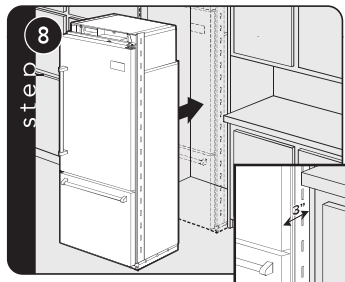
Attach one 2 x 4 to wall stud (refer to dimensions page for exact location).



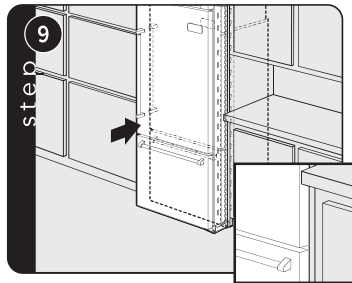
If needed, depending on cabinet and depth, attach second 2 x 4 to first 2 x 4.



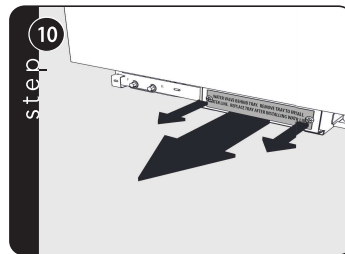
Plug in power cord to verify operation.
Note: Make sure power switch is in the "On" Position.



Place unit within 3" (7.6 cm) of being flush with cabinets. **Note:** To avoid cabinet damage, place cardboard between cabinets and unit. When moving unit, **DO NOT** crimp, kink or crush water supply line.

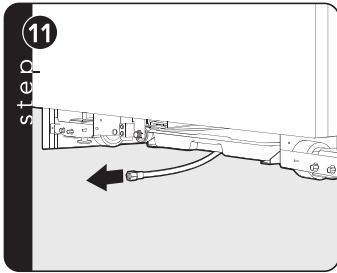


Carefully move unit until semi flush with cabinet (depending on unit).

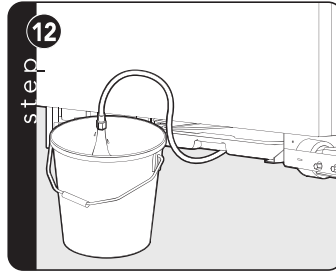


Remove the two screws and pull protective tray out to access water valve.

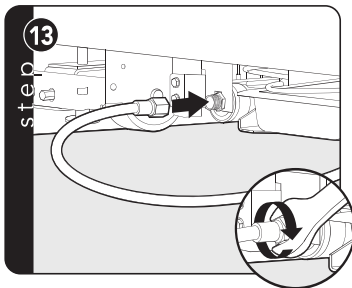
Installation



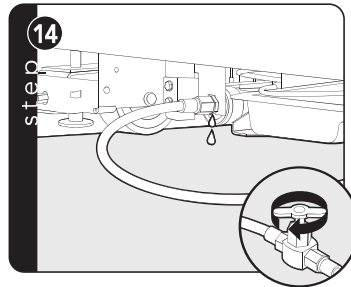
Pull supply tubing forward under unit.
Note: DO NOT use plastic water lines.



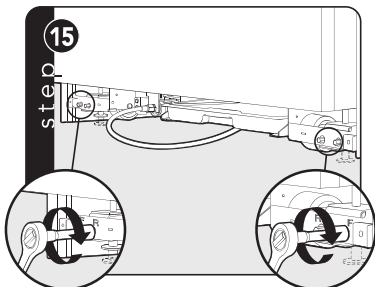
Flush water line by running two quarts of water into a bucket. Turn water off.



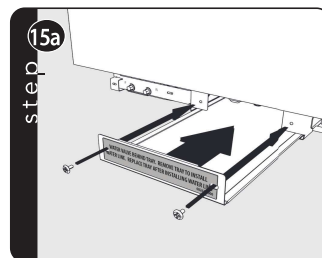
Connect supply tube to water valve using a 1/2" wrench. **Note: DO NOT overtighten.**



Turn on water supply and check for leaks.

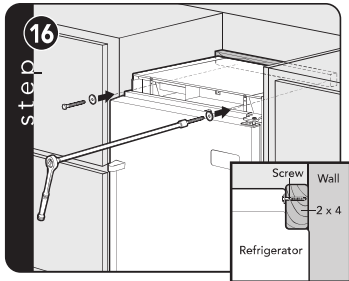


Lift unit off rollers to desired height and level unit using a 5/16" socket with ratchet. **NOTE: DO NOT use an electric device. Overtightening can cause damage.**

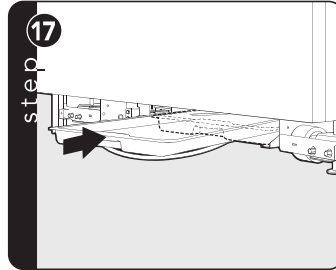


Drive two screws back into place to secure tray in position. If the water line interferes with proper insertion of tray, it may be stored away until unit is to be moved again.

Installation



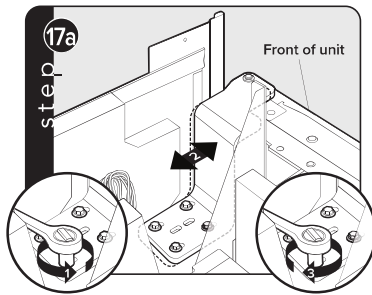
Attach unit to wood block using a 22" (55.9 cm) extension and (2) #8x3" wood screws.



Verify that the drain pan is in the proper position.

Hinge and Door Adjustment

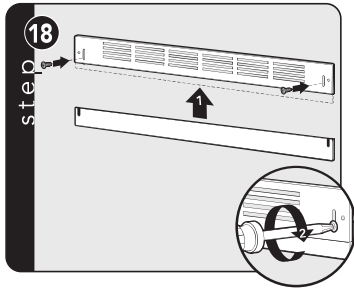
NOTE: Before performing any door adjustments on the product, the unit must be levelled left to right and front to back.



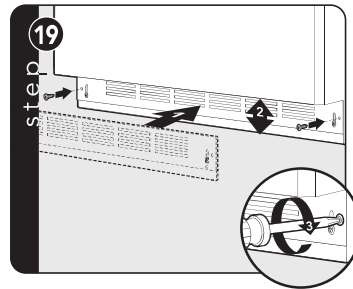
Loosen the four hinge screws. Adjust door.
Retighten four hinge screws.

Installation

Kickplate Installation

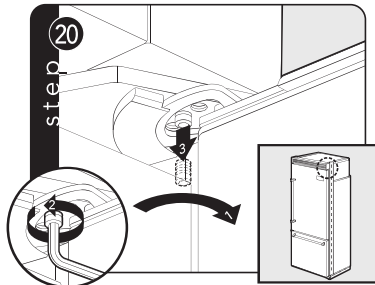


Align holes on both ends of louvered panels and insert screws.

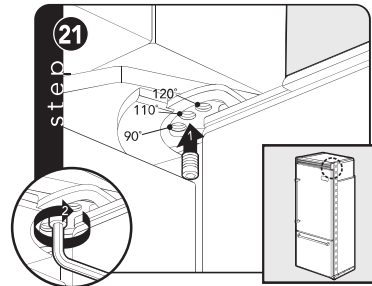


Using a Phillips screwdriver, attach the kickplate to the unit and adjust to desired height.

Door Stop Adjustment (Bottom-Freezer)



Open refrigerator door so door stop and shoulder screw are accessible. **Note:** Shoulder screw should be in 110° door opening position.



Remove shoulder screw and place in 90° or 120° position.

Water Filter System Specification and Performance Data Sheet

This system has been tested according to NSF/ANSI 42/53 for reduction of the substances listed below. The concentration of the indicated substances in water entering the system was reduced to a concentration of less than or equal to the permissible limit for water leaving the system, as specified in NSF/ANSI 42/53.* (100% safety factors built-in for unmetred usage for health claims only.)

| Contaminant Reduction | Average Influent | NSF Specified Challenge Concentration | Avg % Reduction | Average Product Water Concentration | Max Permissible Product Water Concentration | NSF Reduction Requirements | NSF Test Report |
|--|-------------------|---|-----------------|-------------------------------------|---|----------------------------|-----------------|
| Chlorine Taste and Odor | 2.0 mg/L | 2.0 mg/L \pm 10% | 97.5% | 0.05 mg/L | N/A | \geq 50% | J-00056501 |
| Nominal Particulate Class I, \geq 0.5 to < 1.0 μ m | 13,666,667 pts/mL | At least 10,000 particles/mL | 98.9% | 143,333 pts/mL | N/A | \geq 85% | J-00056506 |
| Asbestos | 96 MF/L | 10 ⁷ to 10 ⁸ fibers/L; fibers greater than 10 μ m in length | >99% | <1 MF/L | N/A | \geq 99% | J-00056511 |
| Atrazine | 0.010 mg/L | 0.009 mg/L \pm 10% | 89.3% | 0.001 mg/L | 0.003 mg/L | N/A | J-00056512 |
| Cyst* | 122,500 cysts/L | Minimum 50,000 cysts/L | 99.99% | 1 cyst/L | N/A | \geq 99.95% | J-00056513 |
| Lead @ pH 6.5 | 0.153 mg/L | 0.15 mg/L \pm 10% | 99.3% | 0.001 mg/L | 0.010 mg/L | N/A | J-00056515 |
| Lead @ pH 8.5 | 0.150 mg/L | 0.15 mg/L \pm 10% | 99.3% | 0.001 mg/L | 0.010 mg/L | N/A | J-00058784 |
| Lindane | 0.002 mg/L | 0.002 mg/L \pm 10% | 97.8% | 0.00004 mg/L | 0.0002 mg/L | N/A | J-00058969 |
| Mercury @ pH 6.5 | 0.006 mg/L | 0.006 mg/L \pm 10% | 95.0% | 0.0003 mg/L | 0.002 mg/L | N/A | J-00058785 |
| Mercury @ pH 8.5 | 0.006 mg/L | 0.006 mg/L \pm 10% | 88% | 0.0007 mg/L | 0.002 mg/L | N/A | J-00058783 |
| Toxaphene | 0.015 mg/L | 0.015 mg/L \pm 10% | 93.2% | 0.001 mg/L | 0.003 mg/L | N/A | J-00056531 |
| Turbidity | 10.8 NTU | 11 \pm 1 NTU | 98.7% | 0.153 NTU | 0.5 NTU | N/A | J-00058972 |

*Based on the use of *Cryptosporidium parvum* oocysts

Operating Specifications

| | |
|-----------------------|--|
| Capacity: | Certified for up to 750 gallons (2,838 L); up to nine months |
| Pressure Requirement: | 20 - 120 psi (1.4 - 8.2 bar) |
| Temperature: | 33-100° F (0.6 - 37.8° C) |
| Flow rate: | 0.78 gpm (2.9 l/min.) |

Check for compliance with the state and local laws and regulations.

Note: While the testing was performed under standard laboratory conditions, actual performance may vary.

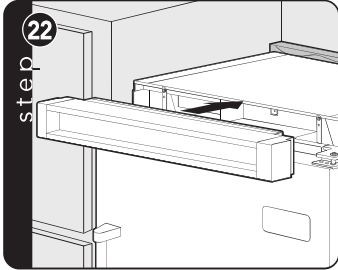
Must be installed and operated in accordance with manufacturer's recommended procedures and guidelines. Installation instructions, parts and service availability, and standard warranty are included with the product when shipped. This drinking water system must be maintained according to manufacturer's instruction, including replacement of filter cartridges.

Manufactured by: 3M Purification Inc.
400 Research Parkway
Meriden, CT 06770

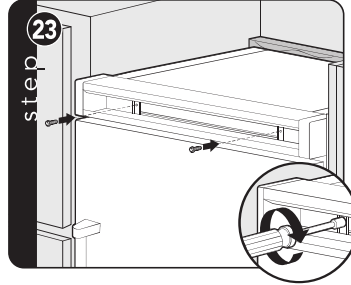
System tested and certified by NSF International against Standard 42 for the reduction of chlorine taste and odor, particulate Class I and Standard 53 for the reduction of Lead, Lindane, Atrazine, Mercury, Toxaphene, Cyst, Turbidity, and Asbestos.



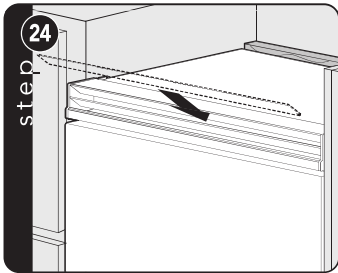
Final Installation



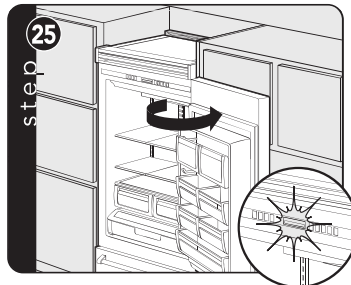
Replace top air grille.



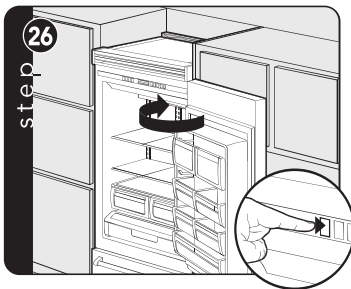
Using an 8" (20.3 cm) magnetic nut driver, replace the two 1/4" (0.6 cm) screws.



Replace the center grille louver.



Open door. The display should flash.



Press "ACTIVATE CONTROLS" pad and close door. **Note:** There is a 6 minute delay before the unit starts.

Performance Checklist

- Verify cabinet size.
- Verify electrical supply and water supply (if applicable).
- Install anti-tip device(s) and verify unit is secure.
- Position unit in cutout, level at desired height and secure unit.
- Plug-in unit and verify operation.
- Connect water supply (if applicable).
 - Verify icemaker fill tube is properly inserted.
 - Verify icemaker bail arm is down.
 - Verify dispenser operation (if applicable).
- Align/square door(s).
- Verify drain pan is properly installed and there are no leaks on water connection.
- Install kickplate.
- Remove internal packaging and labels and wipe unit down.



Verify Operations

Control Panels

Bottom Freezer



1. Press "ACTIVATE CONTROLS" pad.
2. Verify unit is not in Sabbath Mode.

If in Sabbath Mode:

 - A. The Sabbath Mode will disable the interior lights, display (except SAB indicator, temperature and compartment indicator) and alarm.

To exit the Sabbath Mode:

 - B. Press and hold "ACTIVATE CONTROLS" and then "DISPLAY OFF" for 3 seconds.
(The control will beep three times to alert the user the Sabbath Mode has been exited and "SAB" will no longer be illuminated.)
3. Verify unit is not in Showroom Mode.

If in Showroom Mode:

 - A. The Showroom Mode will disable the refrigerator system but all other functions are normal. These include lights and control. (If the refrigerator is in Showroom Mode, SHOW will be lit.)

To exit Showroom Mode:

 - B. Press and hold "ACTIVATE CONTROLS"; while holding, press and hold "HIGHER" and "ALARM OFF" together. (The control will beep three times to alert the user the Showroom Mode has been exited and "SHOW" will no longer be illuminated.)
4. Press "ACTIVATE CONTROLS" then press and hold "LOWER"; while holding, press and hold "DISPLAY OFF" and hold until beeps (force start compressor).
5. All models need to be set at 38° F and 0° F for the refrigerator and freezer respectfully - factory setting.

Service & Registration

If service is required, call your authorized service agency.

Have the following information readily available.

- Model number
- Serial number
- Date purchased
- Name of dealer from whom purchased

Clearly describe the problem that you are having. If you are unable to obtain the name of an authorized service agency, or if you continue to have service problems, contact Viking Range, LLC at 1-888-(845-4641), or write to:

**VIKING RANGE, LLC
PREFERRED SERVICE
111 Front Street
Greenwood, Mississippi 38930 USA**

Record the following information indicated below. You will need it if service is ever required.

The serial number and model number for your appliance are located on the identification plate mounted behind the top light.

Record the information indicated below. You will need it if service is ever required.

Model number _____

Serial number _____

Date of purchase _____

Date installed _____

Dealer's name _____

Address _____

If service requires installation of parts, use only authorized parts to insure protection under the warranty.

KEEP THIS MANUAL FOR FUTURE REFERENCE.





Viking Range, LLC
111 Front Street
Greenwood, Mississippi 38930 USA
(662) 455-1200

For product information, call 1-888-(845-4641)
or visit our web site at vikingrange.com

080496-000 EN

(101524)

