



# WALL HOODS

**SAFETY INFORMATION** .....3

**USING THE HOOD**

Controls .....5

Chef Connect ..... 6

Wi-Fi Connect..... 6

**CARE AND CLEANING**

Filters .....7

Surfaces .....8

Lights .....8

**INSTALLATION INSTRUCTIONS** ... 9

**TROUBLESHOOTING TIPS**.....21

**LIMITED WARRANTY** ..... 22

**ACCESSORIES** ..... 23

**CONSUMER SUPPORT** ..... 24

## OWNER'S MANUAL & INSTALLATION INSTRUCTIONS

UVW9301  
UVW9361

Write the model and serial numbers here:

Model # \_\_\_\_\_

Serial # \_\_\_\_\_

You can find them on a label on the inside of the hood.

### FRANÇAIS

Pour une version française de ce manuel d'utilisation, veuillez visiter notre site web à l'adresse [GEAppliances.com](http://GEAppliances.com).

### ESPAÑOL

Para consultar una versión en español de este manual de instrucciones, visite nuestro sitio de internet [GEAppliances.com](http://GEAppliances.com).

## **THANK YOU FOR MAKING GE APPLIANCES A PART OF YOUR HOME.**

---

Whether you grew up with GE Appliances, or this is your first, we're happy to have you in the family.

We take pride in the craftsmanship, innovation and design that goes into every GE Appliances product, and we think you will too. Among other things, registration of your appliance ensures that we can deliver important product information and warranty details when you need them.

Register your GE appliance now online. Helpful websites and phone numbers are available in the Consumer Support section of this Owner's Manual. You may also mail in the pre-printed registration card included in the packing material.



**GE APPLIANCES**

# IMPORTANT SAFETY INFORMATION

## READ ALL INSTRUCTIONS BEFORE USING

**⚠ WARNING** TO REDUCE THE RISK OF FIRE, ELECTRIC SHOCK OR INJURY TO PERSONS, OBSERVE THE FOLLOWING:

- A. Use this unit only in the manner intended by the manufacturer. If you have questions, contact the manufacturer.
- B. Before servicing or cleaning unit, switch power off at service panel and lock the service disconnecting means to prevent power from being switched on accidentally. When the service disconnecting means cannot be locked, securely fasten a prominent warning device, such as a tag, to the service panel.
- C. Do not use this unit with any solid-state speed control device.
- D. This unit must be grounded.

**⚠ CAUTION** FOR GENERAL VENTILATING USE ONLY. DO NOT USE TO EXHAUST HAZARDOUS OR EXPLOSIVE MATERIALS AND VAPORS.

**⚠ CAUTION** TO REDUCE RISK OF FIRE AND TO PROPERLY EXHAUST AIR, BE SURE TO DUCT AIR OUTSIDE. DO NOT VENT EXHAUST AIR INTO SPACES WITHIN WALLS OR CEILINGS OR INTO ATTICS, CRAWL SPACES OR GARAGES.

**⚠ WARNING** TO REDUCE THE RISK OF INJURY TO PERSONS IN THE EVENT OF A RANGE TOP GREASE FIRE, OBSERVE THE FOLLOWING\*:

- A. SMOTHER FLAMES with a close-fitting lid, cookie sheet or metal tray, then turn off the burner. BE CAREFUL TO PREVENT BURNS. If the flames do not go out immediately, EVACUATE AND CALL THE FIRE DEPARTMENT.
- B. NEVER PICK UP A FLAMING PAN—You may be burned.
- C. DO NOT USE WATER, including wet dishcloths or towels—a violent steam explosion will result.
- D. Use an extinguisher ONLY if:
  1. You know you have a Class ABC extinguisher, and you already know how to operate it.
  2. The fire is small and contained in the area where it started.
  3. The fire department is being called.
  4. You can fight the fire with your back to an exit.

\*Based on "Kitchen Fire Safety" published by NFPA.

## READ AND SAVE THESE INSTRUCTIONS

# IMPORTANT SAFETY INFORMATION

## READ ALL INSTRUCTIONS BEFORE USING

### **▲WARNING** TO REDUCE THE RISK OF A RANGE TOP GREASE FIRE:

- A. Never leave surface units unattended at high settings. Boilovers cause smoking and greasy spillovers that may ignite. Heat oils slowly on medium settings.
- B. Always turn hood ON when cooking at high heat or when flambéing food (i.e. Crepes Suzette, Cherries Jubilee, Peppercorn Beef Flambé).
- C. Clean ventilating fans frequently. Grease should not be allowed to accumulate on fan or filter.
- D. Use proper pan size. Always use cookware appropriate for the size of the surface element.

### **▲WARNING** TO REDUCE THE RISK OF FIRE, ELECTRIC SHOCK OR INJURY TO PERSONS, OBSERVE THE FOLLOWING:

- A. Installation work and electrical wiring must be done by qualified person(s) in accordance with all applicable codes and standards, including fire-rated construction.
- B. Sufficient air is needed for proper combustion and exhausting of gases through the flue (chimney) of fuel burning equipment to prevent back drafting. Follow the heating equipment manufacturer's guidelines and safety standards such as those published by the National Fire Protection Association (NFPA), the American Society for Heating, Refrigeration and Air Conditioning Engineers (ASHRAE) and the local code authorities.

- C. When cutting or drilling into wall or ceiling, do not damage electrical wiring and other hidden utilities.
- D. Ducted fans must always be vented to the outdoors.
- E. When applicable, install any makeup (replacement) air system in accordance with local building code requirements. Visit [GEAppliances.com](http://GEAppliances.com) for available makeup air solutions.
- F. Turn off breaker to adjacent rooms while working.

### **▲WARNING** TO REDUCE THE RISK OF FIRE, USE ONLY METAL DUCTWORK.

- Do not attempt to repair or replace any part of your hood unless it is specifically recommended in this manual. All other servicing should be referred to a qualified technician.

## How to Remove Protective Shipping Film and Packaging Tape

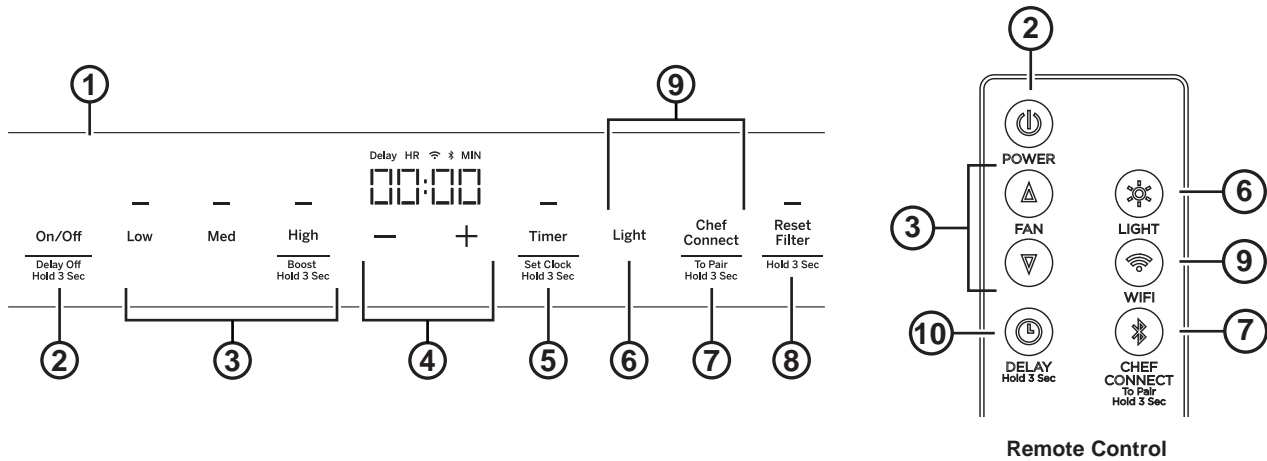
Carefully grasp a corner of the protective shipping film with your fingers and slowly peel it from the appliance surface. Do not use any sharp items to remove the film. Remove all of the film before using the appliance for the first time.

To assure no damage is done to the finish of the product, the safest way to remove the adhesive from packaging tape on new appliances is an application of a household liquid dishwashing detergent. Apply with a soft cloth and allow to soak.

**NOTE:** The adhesive must be removed from all parts.

**NOTE:** For further cleaning instructions/suggestions, please refer to the Care And Cleaning section.

# READ AND SAVE THESE INSTRUCTIONS



1. **Rangehood Control Panel:** The control panel is located on the front of the canopy. The position and function of each control pad are noted below.
2. **On/Off:** On/Off switch for the fan and lighting up the display. The fan can be operated by tapping any of the fan setting pads. Hold **On/Off** pad for 3 seconds to activate Delay Off feature, which automatically turns the fan off after 15 minutes.
3. **Fan Setting:** Speed control for fan. Tap **Low** for LOW speed. **Med** for MEDIUM speed and **High** for HIGH speed. Press and hold the **High** pad for 3 seconds to activate the BOOST speed that will run for 10 minutes. On Remote, press ▲ to increase fan speed, press ▼ to decrease fan speed, including Boost.
4. **Plus and Minus:** The plus (+) and minus (-) pads control the time for the clock and the timer. To add time, tap the + pad. To subtract time, tap the - pad.
5. **Timer:** Sets a timer for cooking or sets the clock. To start the timer, tap the **Timer** pad and the clock will show "HR" and "MIN". Tap + or - to add or subtract time. Tap on the **Timer** again to start the countdown. To cancel the timer, tap the **Timer** pad again. Hold the **Timer** pad down for 3 seconds to set the clock. Tap the + or - to set the the hour. Tap on the **Timer** again to set minutes. Tap on the **Timer** again to lock in the time. Clock will sync once the unit is connected to Wi-Fi.
6. **Light:** Controls the lights. Tap the **Light** pad to turn the lights on fully. Tap the **Light** pad again and the lights will dim. Tap the **Light** pad a third time to turn off the lights.
7. **Chef Connect:** Hold the **Chef Connect** pad down for 3 seconds to activate the Bluetooth®. This is a Bluetooth® pairing feature for use with other compatible Chef Connect enabled products on a cooktop or range. When the device is paired, the light and fan will turn ON at the Default Sync Settings upon receiving a command from the range or cooktop. It will remain ON at that setting until the user changes it. See the Chef Connect section for more details.
8. **Reset Filter:** The red LED indicator above the Reset Filter pad turns on as a reminder to change /clean the filter. Hold the **Reset Filter** pad for 3 seconds to turn off. Tap the **Reset Filter** pad again to begin recalculating the time. While this indicator reminds user to change/clean filters, the filters should be cleaned regularly. Please refer to the Filters section.
9. **Wi-Fi:** Hold down the **Light** and **Chef Connect** pads for three seconds to activate the Wi-Fi connect mode. The Wi-Fi symbol above the clock blinks for 3 seconds and then becomes solid. See the Wi-Fi section for more details. On Remote, press **Wi-Fi** to toggle Wi-Fi function.
10. **Delay Off (Remote only):** Press and hold **Delay Off** to toggle Delay Off function.

# Chef Connect

## Chef Connect Operation Bluetooth® Connection

### To pair with another device:

To start the pairing process on the hood, press and hold the **Chef Connect** button for 3 seconds. The backlight for all the icons will light up until the hood is paired with the range or other device. If the pairing is successful, the Bluetooth® symbol above the clock will turn on and become solid.

It will time out after 2 minutes if the pairing is not completed, after which the pairing sequence will need to be restarted.

### To cancel pairing:

To cancel the pairing, hold the **Chef Connect** button down for 3 seconds and then turn off the hood.

### Default Sync Settings:

The factory default setting for the light will be the brightest.

The factory default setting for the fan sync will be OFF.

The user can change the Default Sync Settings by pressing and holding the **Low** button for 3 seconds. This will enter the Default Settings Mode. Once in this mode, the backlights for all buttons will blink on/off indefinitely and the fan and light will switch to the current Default Sync Setting, so the user knows what the current default value is. At this time, set the light and fan to the desired default levels. Once the user is satisfied with the selection, press and hold the **Off** button for 3 seconds. This will exit this mode. At that time the backlights will stop blinking and the state of the fan and light will change back to their prior state before entering the Default Settings Mode.

## Wi-Fi Connect

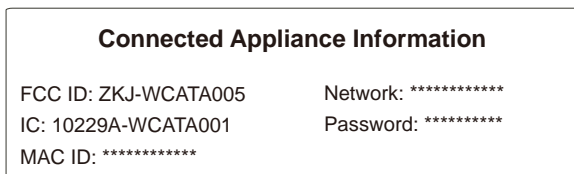
### Connecting your Wi-Fi Connect Enabled hood (on some models)

Your GE Appliances hood is designed to provide you with two-way communication between your appliance and smart device. By using the GE Appliances Wi-Fi Connect features, you will be able to control essential hood operations such as fan speed, light functions, timer/clock function, delay off and filter reset using your smartphone or tablet.\*

#### What you will need

Your GE Appliances hood uses your existing home Wi-Fi network to communicate between the appliance and your smart device. In order to setup your GE Appliances hood, you will need to gather some information:

1. Each GE Appliances hood has a connected appliance information label that includes an Appliance Network Name and Password. These are the two important details that you will need to connect to the appliance. The label is located on the side of the unit behind the filters.



Sample Label

2. Have your smart phone or tablet ready with the ability to access the internet and download apps.
3. You will need to know the password of your home Wi-Fi router. Have this password ready while you are setting up your GE Appliances hood.

#### Connect your GE Appliances hood

1. On your smart phone or tablet visit [GEAppliances.com/connect](http://GEAppliances.com/connect) to learn more about connected appliance features and to download the appropriate app.
2. Follow the app onscreen instructions to connect your GE Appliances hood.
3. Once the process is complete, the connection light located on your GE Appliances hood display will stay on solid and the app will confirm you are connected.
4. If the connection light does not turn on or is blinking, follow the instructions on the app to reconnect. If issues continue please call 800.220.6899 and ask for assistance regarding hood wireless connectivity.

To connect additional smart devices, repeat steps 1 and 2.

Note that any changes or modifications to the remote enable device installed on this hood that are not expressly approved by the manufacturer could void the user's authority to operate the equipment.

\* Compatible Apple or Android devices and home Wi-Fi network required.

# Filters

Be sure the circuit breaker is off and all surfaces are cool before cleaning or servicing any part of the vent hood.

## Metal Grease Filter

The metal filters trap grease during cooking.

The filters must ALWAYS be in place when the hood is in use. The grease filters are dishwasher-safe and should be cleaned every month, depending on the usage of the hood.

### To remove:

Open the filter cover panel and disengage the filter lock to release the filter.

### To replace:

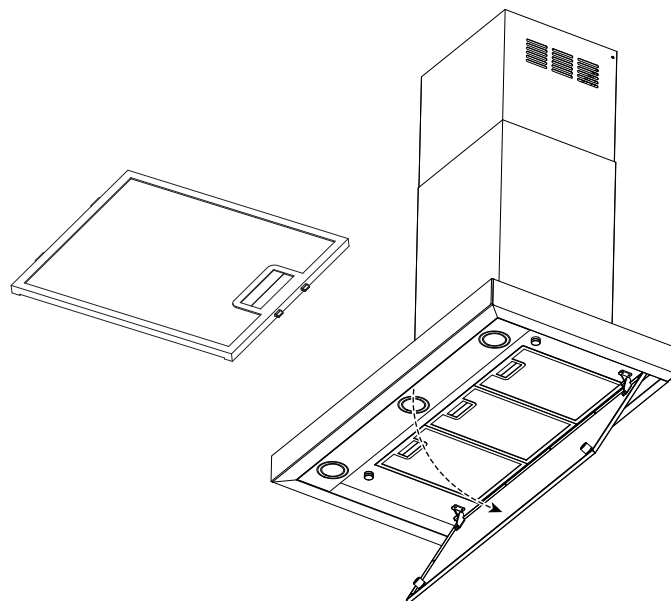
Fit the tabs at the bottom of the filter into the slots in the back of the filter opening. Lift up the front side of the filter and push gently until the filter locks into place. Make sure the filter lock is in the closed position to secure the filter.

**NOTE:** The front panel covers the filters and must be pressed up and then pulled down to access the filters.

### To clean:

Swish the filter in hot soapy water and rinse in clean water or wash it in the dishwasher. Do not use abrasive cleansers.

**NOTE:** Some discoloration of the filter may occur in the dishwasher.



## Charcoal Filter (for recirculation installation only)

If the model is not vented to the outside, the air needs to be recirculated through a disposable charcoal filter that helps remove smoke and odors.

**NOTE:** DO NOT rinse, or put charcoal filter in an automatic dishwasher.

**The charcoal filter is included with the unit. It cannot be cleaned, it must be replaced when Reset Filter LED indicator comes on. It is recommended that the charcoal filter be replaced every 6 months or if it is noticeably dirty or discolored.**

### Order Charcoal Filter UXCF91

To inquire about purchasing replacement charcoal filters or to find the location of a dealer nearest you, please call our toll-free number:

**National Parts Center 800.626.2002**

**In Canada, call 800.661.1616 or visit [geappliances.ca](http://geappliances.ca)**

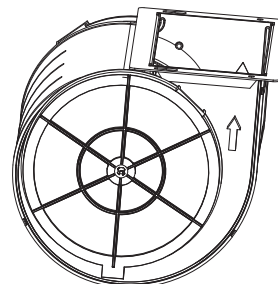
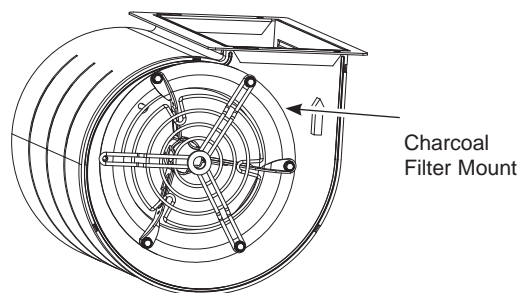
### To install:

1. Remove the metal filters—see Metal Grease Filter section.
2. Install the charcoal filter mounts to either side of the motor using three screws per side.
3. Insert the tab on the charcoal filter into the triangular slot on the mount.
4. Clip the charcoal filter in until it is locked.

5. Repeat with second filter on the other side of the motor.
6. Replace the metal filters - See Metal Grease Filter section.

### To remove:

1. Remove the metal filters—see Metal grease filter section.
2. Unclip the charcoal filter by pressing the release clip.
3. Carefully remove charcoal filter from tab.



## Surfaces

### Stainless Steel Surfaces (on some models)

**Do not use a steel wool pad; it will scratch the surface.**

To clean the stainless steel surface, use warm sudsy water or a stainless steel cleaner or polish. Always wipe the surface in the direction of the brush line. Follow the cleaner instructions for cleaning the stainless steel surface. Cleaners with oxalic acid such as **Bar Keepers Friend Soft Cleanser™** will remove surface rust, tarnish, and small blemishes. To receive a coupon for a trial sample of **Bar Keepers Friend Soft Cleanser™** follow the link below or scan the QR Code.



[www.barkeepersfriend.com/ge](http://www.barkeepersfriend.com/ge)

Use only a liquid cleanser free of grit and rub in the direction of the brush lines with a damp soft sponge.

To inquire about purchasing stainless steel appliance cleaner or polish, or to find the location of a dealer nearest you, please call our toll-free number:

**National Parts Center**  
800.626.2002

**GEApplianceParts.com**

In Canada, call 800.661.1616 or visit [geappliances.ca](http://geappliances.ca)

### Painted Surfaces and Black Stainless Color (on some models)

**Do not use a steel wool pads or other abrasive cleaners; they will scratch the surface.**

Clean grease-laden surfaces of the hood frequently. To clean the hood surface, use a hot, damp cloth with a mild detergent suitable for painted surfaces. About one tablespoon of ammonia may be added to the water. Use a clean, hot, damp cloth to remove soap. Dry with a dry, clean cloth.

**NOTE:** When cleaning, take care not to come in contact with filters and other surfaces.

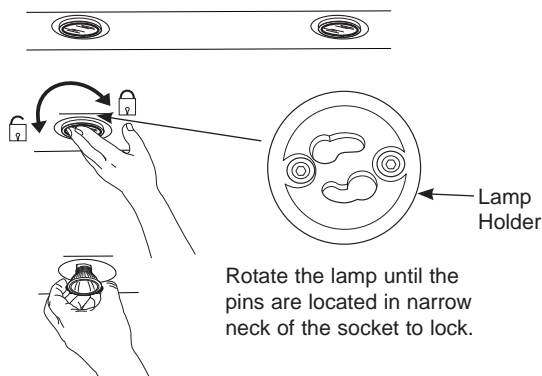
**⚠ CAUTION** When cleaning the hood surfaces, be certain that you do not touch the light with moist hands or cloth. A warm or hot light may break if touched with a moist surface. Always let the light cool completely before cleaning around it.

## Lights

**⚠ CAUTION** Allow lights to cool before touching.

1. Before attempting to replace the lights, make sure that the light switch is turned off.
2. Rotate light counterclockwise to unlock and pull out. Wearing latex gloves may offer a better grip.
3. Replace with new light of same type, making sure pins are inserted properly into the sockets of the lamp holder and turn clockwise to lock.

**All lamps need to be GU10 compatible.**





# Installation Instructions

## Wall Hoods UVW9301, UVW9361

? "If you have questions, call GE Appliances at 800.GE.CARES (800.432.2737) or visit our website at: [GEAppliances.com](http://GEAppliances.com). In Canada, visit [GEAppliances.ca](http://GEAppliances.ca) or call 800.561.3344.

### BEFORE YOU BEGIN

Read these instructions completely and carefully.

- **IMPORTANT** — Save these instructions for local inspector's use.
- **IMPORTANT** — Observe all governing codes and ordinances.
- **Note to Installer** – Be sure to leave these instructions with the Consumer.
- **Note to Consumer** – Keep these instructions for future reference.
- **Skill level** – Installation of this vent hood requires basic mechanical and electrical skills.
- **Completion time** – Approximately 1 to 3 hours
- Proper installation is the responsibility of the installer.
- Product failure due to improper installation is not covered under the Warranty.

**▲ CAUTION** Due to the weight and size of these vent hoods and to reduce the risk of personal injury or damage to the product, **TWO PEOPLE ARE REQUIRED FOR PROPER INSTALLATION.**

### FOR YOUR SAFETY

**▲ WARNING** Before beginning the installation, switch power off at service panel and lock the service disconnecting means to prevent power from being switched on accidentally. When the service disconnecting means cannot be locked, securely fasten a prominent warning device, such as a tag, to the service panel.

**▲ WARNING** TO REDUCE THE RISK OF FIRE, ELECTRIC SHOCK OR INJURY TO PERSONS, OBSERVE THE FOLLOWING:

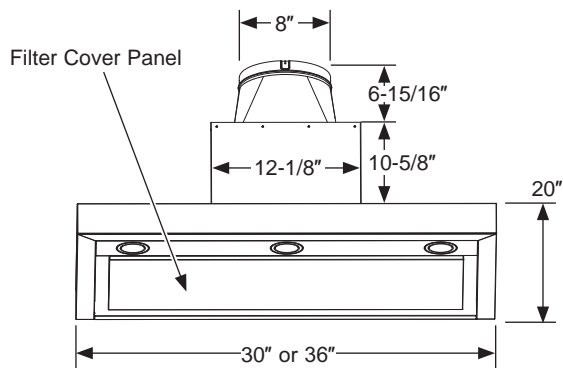
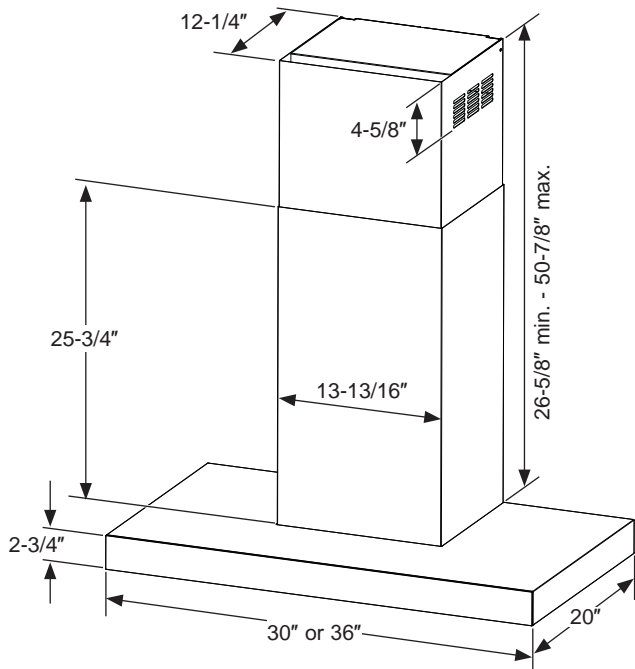
- A. Installation work and electrical wiring must be done by qualified person(s) in accordance with all applicable codes and standards, including fire-rated construction.
- B. Sufficient air is needed for proper combustion and exhausting of gases through the flue (chimney) of fuel burning equipment to prevent back drafting. Follow the heating equipment manufacturer's guidelines and safety standards such as those published by the National Fire Protection Association (NFPA), the American Society for Heating, Refrigeration and Air Conditioning Engineers (ASHRAE) and the local code authorities.
- C. When cutting or drilling into wall or ceiling, do not damage electrical wiring and other hidden utilities.
- D. Ducted fans must always be vented to the outdoors.
- E. Turn off breaker to adjacent rooms while working.

**▲ WARNING** TO REDUCE THE RISK OF FIRE, USE ONLY METAL DUCT WORK.

**▲ WARNING** Disconnect all electrical power at the main circuit breaker or fuse box before installing.

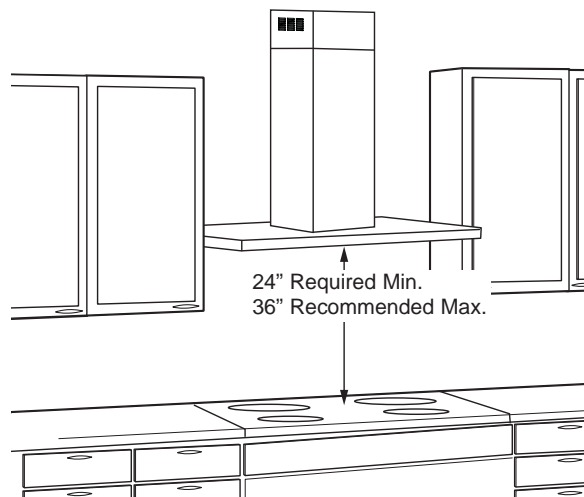
# Installation Preparation

## PRODUCT DIMENSIONS



## INSTALLATION CLEARANCES

These vent hoods are designed to be installed onto a wall with no above cabinets.



The vent hood must be installed between the 24" required minimum and 36" recommended maximum above the cooking surface. For supplied duct cover ceiling heights, see Installation Height Table.

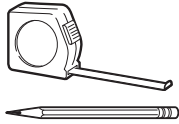
**NOTE:** Installation height should be measured from the cooking surface to the lowest part of the hood. The hood must be installed onto a wall. It can be vented to the outdoors, or it can be installed for recirculating operation. For recirculation operation, see Recirculation Install Planning.

Installation instructions, describing the intended mounting and wiring of the range hood cord connection kit, shall be provided with each range hood cord connection kit.

1" = 2.5 cm

# Installation Preparation

## TOOLS AND MATERIALS REQUIRED (NOT SUPPLIED)



Pencil and tape measure



Safety glasses



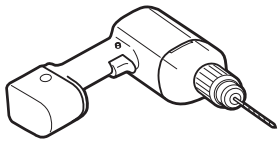
Phillips screwdriver



Level



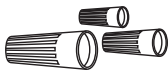
Wire cutter/stripper



Electric drill with #2 Phillips and 1/8" drill bits



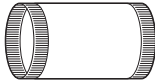
Aluminized duct tape



UL listed wire nuts



Strain relief for junction box



8" round duct (length will vary)



Gloves

## REMOVE THE PACKAGING

**CAUTION** Wear gloves to protect against sharp edges.

- Remove the duct covers.
- Remove the hardware bag, literature package and other boxed parts.
- Remove and properly discard the protective plastic wrapping and other packaging materials.

## PLAN THE INSTALLATION

**CAUTION** To reduce risk of fire and to properly exhaust air, be sure to duct the air outside. Do not vent exhaust air into spaces within walls or ceilings or into attics, crawl spaces, or garages.

### PARTS SUPPLIED FOR INSTALLATION

- 1 Hardware Package
- 1 Literature Package
- Recirculation Duct (for recirculation install only)
- Charcoal filters (recirculation mode)

### PARTS NEEDED FOR INSTALLATION

- 1 Strain Relief
- 1 Wall or Roof Cap (for ducted venting only)
- All Metal Ductwork (for ducted venting only)

### WARNING

#### PERSONAL INJURY HAZARD

Because of the weight and size of the rangehood canopy. It is recommended that 2 people are used to install the range hood. Failure to properly lift rangehood could result in damage to the product or personal injury.

**NOTE:** This rangehood can be installed as either ducted or recirculation. In a ducted application, this rangehood can be vented through the wall or ceiling. When installed for recirculation, the rangehood vents out the sides of the duct cover.

**NOTE:** Before making any cuts or holes for installation, determine which venting method will be used and carefully calculate all measurements.

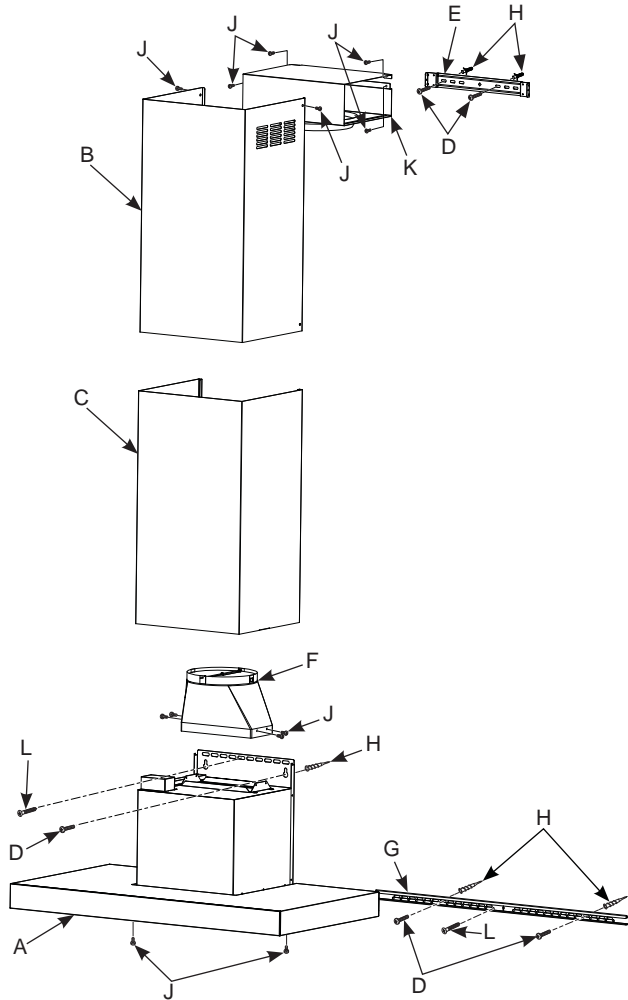
Use only with range hood cord connection kits that have been investigated and found acceptable for use with this model range hood.

1" = 2.5 cm

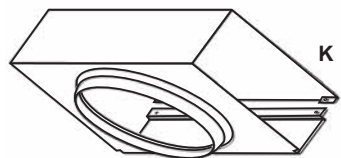
# Installation Preparation

## RANGE HOOD COMPONENTS

- A. Wall Hood
- B. Upper Duct Cover
- C. Lower Duct Cover
- D. Mounting Screws
- E. Duct Cover Mounting Bracket
- F. Damper
- G. Hood Mounting Bracket
- H. Mounting Anchors
- I. Mounting Screws
- J. Machine Screws
- K. Recirculation Box
- L. Wood Screws

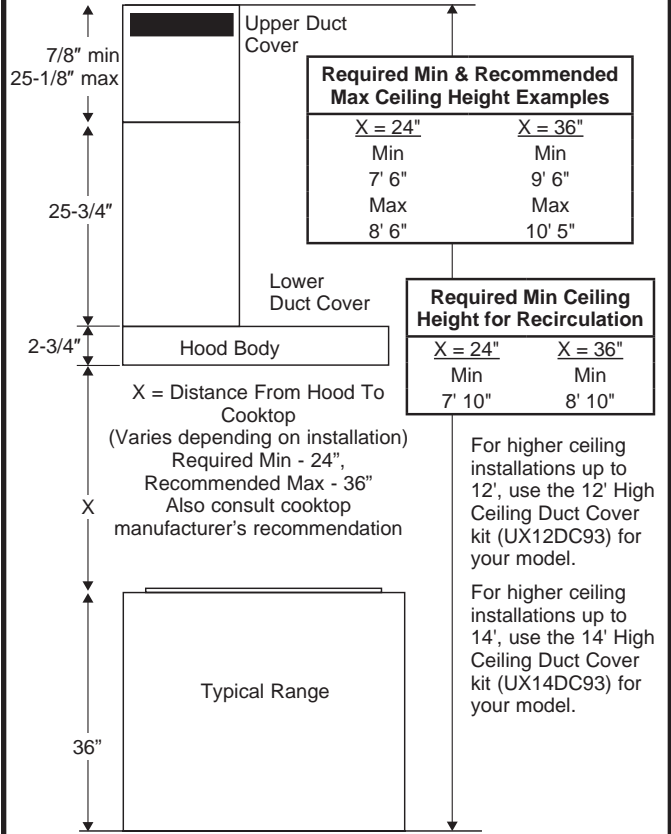


## RECIRCULATION COMPONENTS



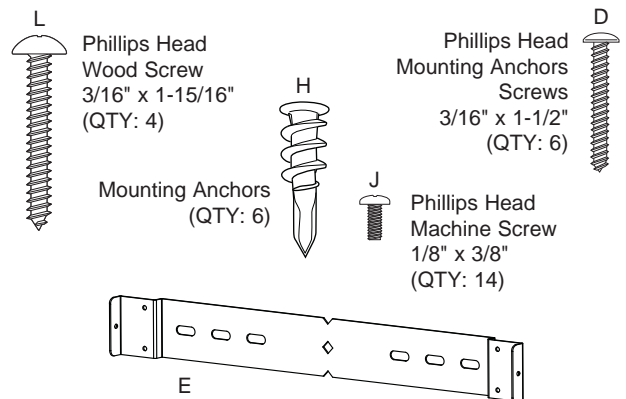
## INSTALLATION DIMENSIONS

The Wall Hoods duct covers can be adjusted for different ceiling heights depending on the distance between the bottom of the hood and the cooktop (distance X). See Installation Height Table.



## HARDWARE COMPONENTS

**NOTE:** The chimney extension replaces the upper and lower chimney shipped with the range hood. The hardware included with the hood should be saved and also used with the chimney extension.



1' = 0.3 m, 1" = 2.5 cm

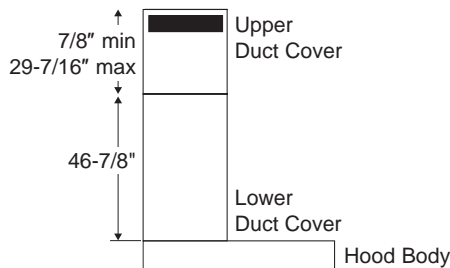
# Installation Preparation

## INSTALLATION HEIGHT TABLE

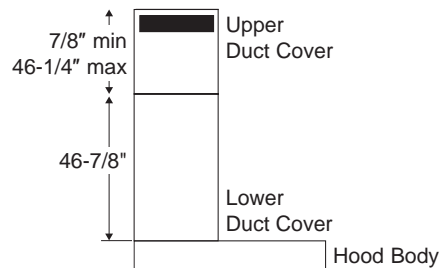
Installation Height with Supplied Duct Covers				(UX12DC9SLSS or UX12DC9BJTS)	(UX14DC9SLSS or UX14DC9BJTS)		
				Optional High Ceiling Duct Cover up to 12 ft. (not included with unit)	Optional High Ceiling Duct Cover up to 14 ft. (not included with unit)		
Ceiling Height (ft./in.)	Possible Vented Install Height (in.)	Possible Vented Install Height (Recirculation vented Holes Hidden) (in.)	Possible Recirculation Install Height (in.)	Ceiling Height (ft./in.)	Vented and Recirculation Height (in.)	Ceiling Height (in.)	Vented and Recirculation Install Height (in.)
7' 6"	24	24		9' 3"	24	12'	24-36
7' 7"	24-25	24-25		9' 4"	24-25	12' 1"	24-36
7' 8"	24-26	24-26		9' 5"	24-26	12' 2"	24-36
7' 9"	24-27	24-27		9' 6"	24-27	12' 3"	24-36
7' 10"	24-28	24-28	24	9' 7"	24-28	12' 4"	24-36
7' 11"	24-29	24-29	24-25	9' 8"	24-29	12' 5"	24-36
8'	24-30	24-30	24-26	9' 9"	24-30	12' 6"	24-36
8' 1"	24-31	24-31	24-27	9' 10"	24-31	12' 7"	24-36
8' 2"	24-32	24-32	24-28	9' 11"	24-32	12' 8"	24-36
8' 3"	24-33	24-33	24-29	10'	24-33	12' 9"	24-36
8' 4"	24-34	24-34	24-30	10' 1"	24-34	12' 10"	24-36
8' 5"	24-35	24-35	24-31	10' 2"	24-35	12' 11"	24-36
8' 6"	24-36	24-36	24-32	10' 3"	24-36	13'	24-36
8' 7"	24-36	24-36	24-33	10' 4"	24-36	13' 1"	25-36
8' 8"	24-36	24-36	24-34	10' 5"-11' 3"	24-36	13' 2"	26-36
8' 9"	24-36	24-36	24-35	11' 4"	24-36	13' 3"	27-36
8' 10"	24-36	24-36	24-36	11' 5"	24-36	13' 4"	28-36
8' 11"	24-36	24-36	24-36	11' 6"	24-36	13' 5"	29-36
9'	24-36	24-36	24-36	11' 7"	24-36	13' 6"	30-36
9' 1"	24-36	24-36	24-36	11' 8"	25-36	13' 7"	31-36
9' 2"	24-36	25-36	24-36	11' 9"	26-36	13' 8"	32-36
9' 3"	24-36	26-36	24-36	11' 10"	27-36	13' 9"	33-36
9' 4"	24-36	27-36	24-36	11' 11"	28-36	13' 10"	34-36
9' 5"	24-36	28-36	24-36	12'	29-36	13' 11"	35-36
9' 6"	25-36	29-36	25-36			14'	36
9' 7"	26-36	30-36	26-36				
9' 8"	27-36	31-36	27-36				
9' 9"	28-36	32-36	28-36				
9' 10"	29-36	33-36	29-36				
9' 11"	30-36	34-36	30-36				
10'	31-36	35-36	31-36				
10' 1"	32-36	36	32-36				
10' 2"	33-36		33-36				
10' 3"	34-36		34-36				
10' 4"	35-36		35-36				
10' 5"	36		36				

\*Based on a 36" electric range height.

For gas range, start chart at 92" and subtract 2" for the maximum install height for each block.



12" High Ceiling Duct Cover Kit



14" High Ceiling Duct Cover Kit

1' = 0.3 m, 1" = 2.5 cm

# Installation Preparation

## ADVANCE PLANNING

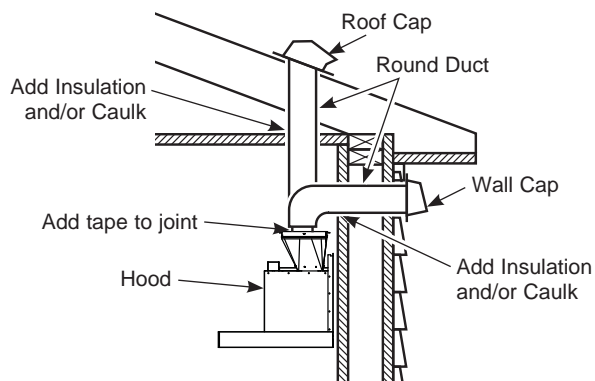
### Duct Install Planning

- This hood is designed to be vented vertically through the ceiling. Use an 8" round duct. Use locally supplied elbows to vent horizontally through the rear wall.
- Use metal ductwork only.
- Determine the exact location of the vent hood.
- Plan the route for venting exhaust to the outdoors. To maximize the ventilation performance of the vent system:
  1. Minimize the duct run length and number of transitions and elbows.
  2. Maintain a constant duct size.
  3. Seal all joints with duct tape to prevent any leaks.

**NOTE:** Flexible vent is not recommended. Flexible vent creates back pressure and air turbulence that greatly reduces performance.

- Maximum equivalent duct length for 100 CFM: 150 foot for vent hoods.
- Install a wall cap or roof cap with damper at the exterior opening. Purchase the wall or roof cap and any transition and length of duct needed in advance.
- When applicable, install any makeup (replacement) air system in accordance with local building code requirements. Use makeup air kit JXMUA8.

Vent system can terminate either through the roof or the wall. To vent through a wall, a 90° elbow is needed and installed immediately above the hood.



### Recirculation Install Planning

A recirculation duct (included) and charcoal filter (included) are necessary for recirculation installation.

### Power Supply Planning

The location of the power supply connection is called out in the Installing The Hood Bracket Mount section.

## POWER SUPPLY

**IMPORTANT – (Please read carefully)**

### ⚠ WARNING

FOR PERSONAL SAFETY, THIS APPLIANCE MUST BE PROPERLY GROUNDED.

Remove house fuse or open circuit breaker before beginning installation.

Do not use an extension cord or adapter plug with this appliance. Follow National Electrical Codes or prevailing local codes and ordinances.

### Electrical supply

These vent hoods must be supplied with 120V, 60Hz, and connected to an individual, properly grounded branch circuit, and protected by a 15 or 20 amp circuit breaker or time delay fuse.

- Wiring must be 2 wire with ground.
- If the electrical supply does not meet the above requirements, call a licensed electrician before proceeding.
- Route house wiring as close to the installation location as possible in the ceiling or wall.
- Connect the wiring to the house wiring in accordance with local codes.

### Grounding instructions

The grounding conductor must be connected to a ground metal, permanent wiring system, or an equipment-grounding terminal or lead on the hood.

### ⚠ WARNING

The improper connection of the equipment-grounding conductor can result in a risk of electric shock. Check with a qualified electrician or service representative if you are in doubt whether the appliance is properly grounded.

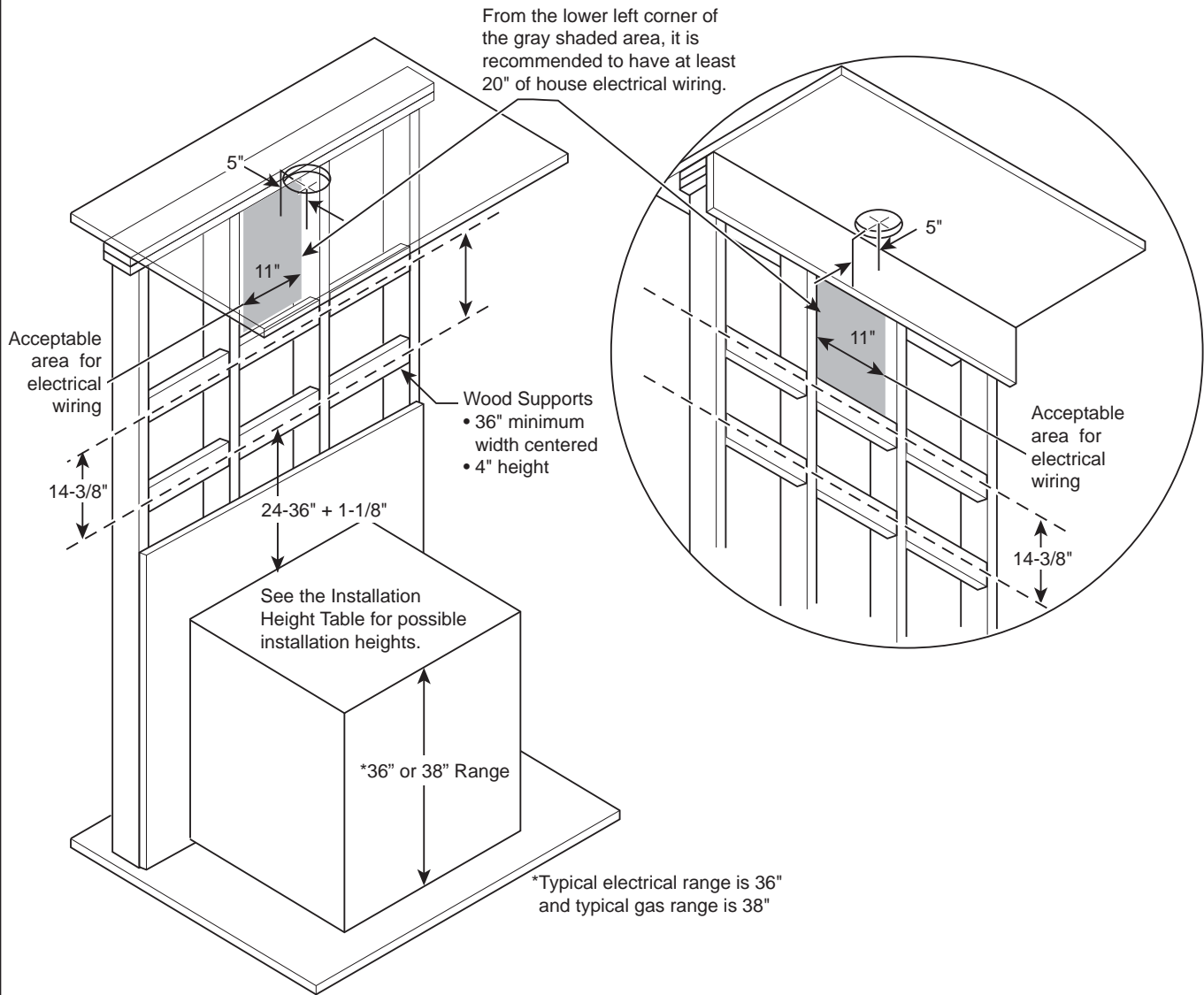
1" = 2.5 cm

# Installation

## NEW CONSTRUCTION, PRE-PLANNING, OR REMODELING

**NOTE:** For existing construction, skip to the section, Installing The Hood Bracket Mount.

- Install horizontal wood supports between 2 wall studs that align with the vertical mounting height locations shown in the illustration.
- The horizontal supports must be flush with the room side studs.
- For ducted installation, the hole for the duct in the ceiling must be centered 5" away from the finished rear wall.
- The bottom support aligns with the hood mounting bracket. This height depends on the desired height of the hood.
- The top support must be flush with the ceiling.
- The electrical wiring can be located 5-1/2" to the left or right (junction box is on the left) of the centerline. Must remain 7/16" above the back panel and 5" from the ceiling, refer to illustration on next page.



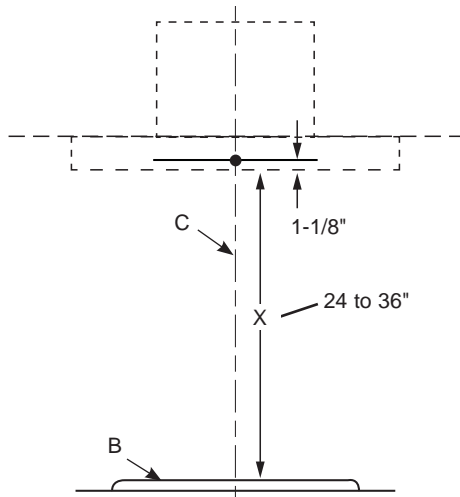
1" = 2.5 cm

# Installation

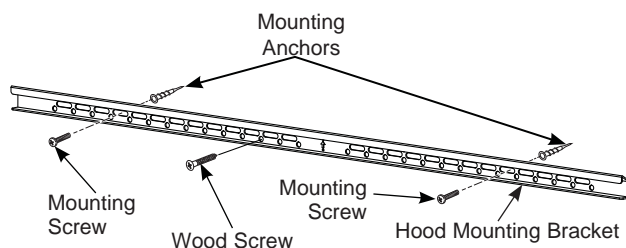
## INSTALLING THE HOOD BRACKET MOUNT

### Hood Body

1. Put a protective covering over the surface below the location of the hood to protect from dirt and/or damage.
2. Determine and mark the centerline (C) on the wall (draw line up to the ceiling) where the range hood will be installed. Based on the ceiling height, determine the distance between 24" required min, 36" recommended max (X) needed between the cooking surface (B) and the bottom of the hood. Draw a horizontal line at X. Align the install template so that the bottom of the template is centered and is level with the horizontal line drawn at height X.

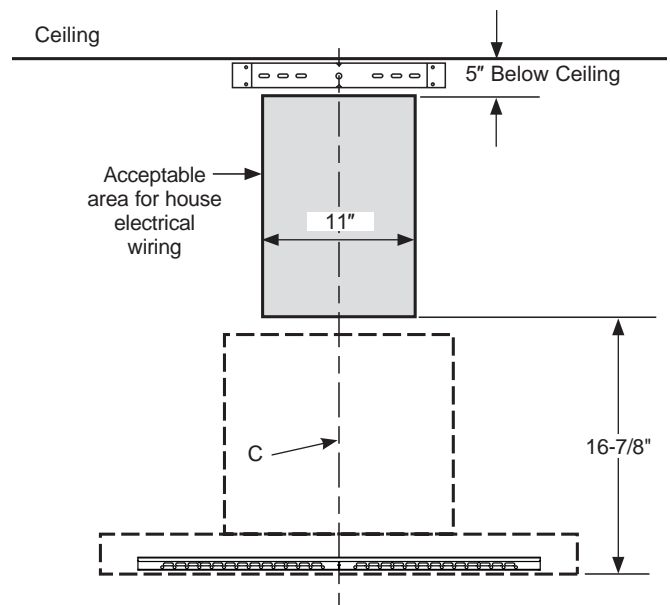


3. Find the stud locations and mark them on the template.
4. Place the hood mounting bracket (G) on its outline on the template. Mark at least one wood screw (L) location that is on a stud. If another stud cannot be found, mark at least two other screw locations for mounting anchors, one on each side of the wood screw (L). Remove the bracket from the wall and install the mounting anchors (H). Place the hood mounting bracket (G) back on the wall and mount it with the wood screws (L) and mounting screws (D) as needed. It is recommended to create a pilot hole in the studs for wood screws (L).



### Duct Covers and Power Supply

1. Place the duct cover bracket (E) on the wall so that its edge is against the ceiling and level, making sure the slots are in direct contact with the wall. Align the center notches of the bracket and the centerline. Mark the location of the screw holes furthest apart from the center line if possible. If one of the screw holes aligns with a stud, then a wood screw will be used for that location. For the other hole or if there are no studs, install 2 mounting anchors (H). Place the duct cover bracket (E) on the wall and install with wood screws (L) and mounting screws (D) as needed.
2. The house electrical wiring must fall in the gray shaded area shown below. From the lower left corner of the shaded area, a minimum of 20" of house electrical wiring is recommended to reach the electrical junction box on the hood.



1" = 2.5 cm



# Installation

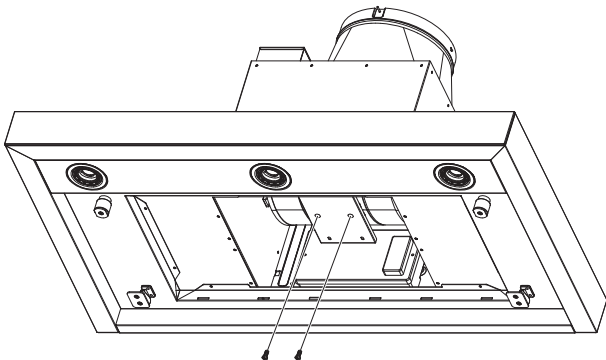
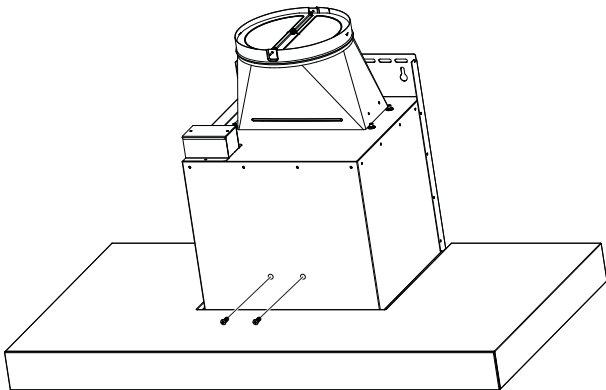
## INSTALLING THE HOOD

Remove the grease filters from the unit and set aside. The grease filters are removed by pressing the handle in the front of the filter. When replacing, make sure that the filters are properly positioned with the handles in front and visible.

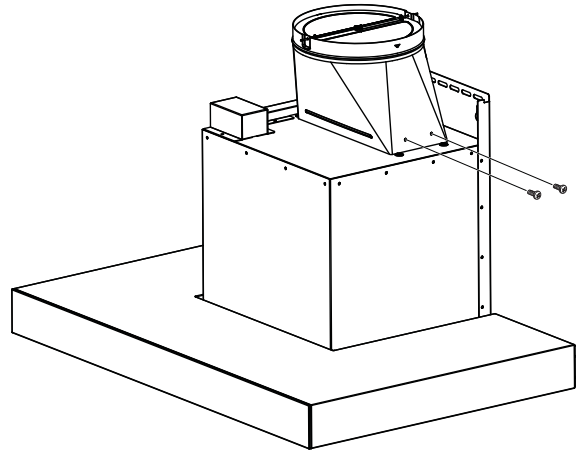


**NOTE:** On some models, the front panel covers the filters and must be pulled down to access the filters.

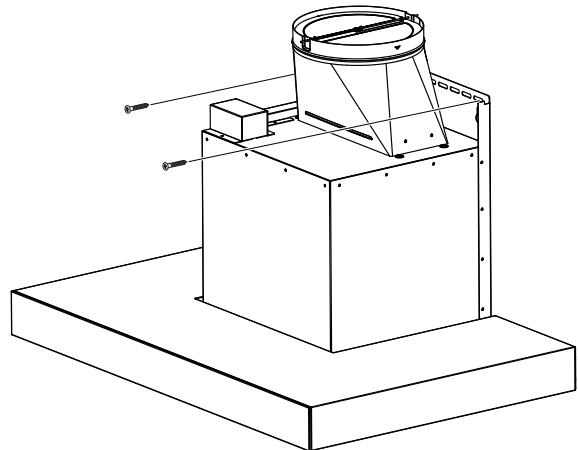
**NOTE:** This bracket must be removed prior to installation. Remove 2 front and 2 bottom screws per illustration bellow.



1. Securely press the damper on top of the exhaust opening. Check that the damper opens freely. Attach damper to hood using machine screws (J) provided.



2. Remove and properly discard the protective plastic wrapping from the hood and grease filter. Remove the template off the wall.
3. Mount the Range Hood:
  - Using 2 or more people, lift the range hood and place on the hood mounting bracket. Make sure the bracket fully engages the hood body.
  - Install the 2 mounting screws (D) or wood screws (L) as needed into the designated holes on the back panel.

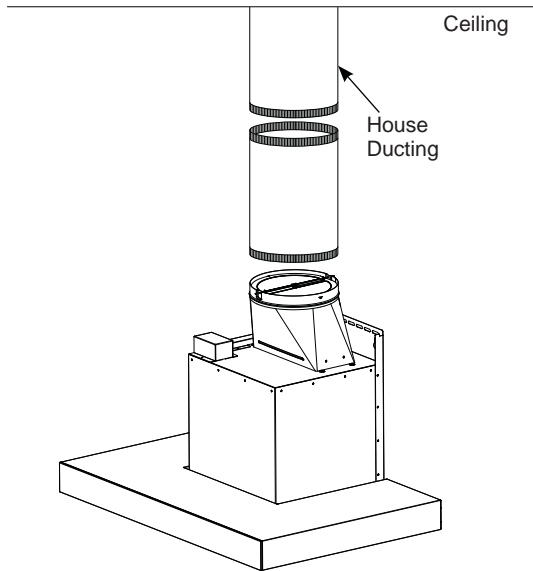


# Installation

## INSTALLING THE HOOD (Cont.)

### A Vented Installations

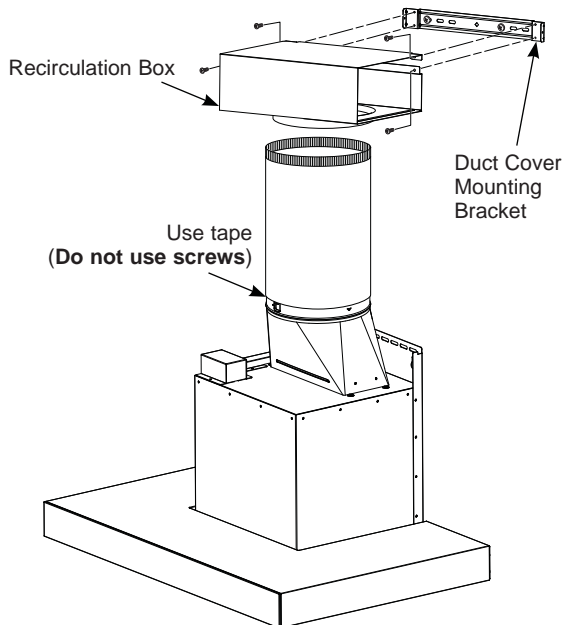
Connect the house ducting to the damper on the hood body. Seal all connections with duct tape (Do not use screws).



### B Recirculation (Non-vented)

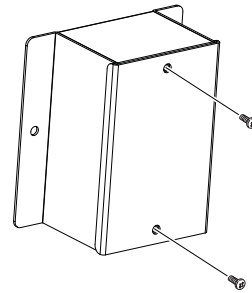
**NOTE:** A recirculation box, a charcoal filter, and a bracket are included with the hood and are necessary for recirculation installation.

1. Attach the recirculation box to the duct over mounting bracket with 4 machine screws (J).
2. Connect the ducting from the exhaust outlet on the hood to the recirculation box. Use duct tape to seal the connections on the recirculation box and the exhaust outlet.

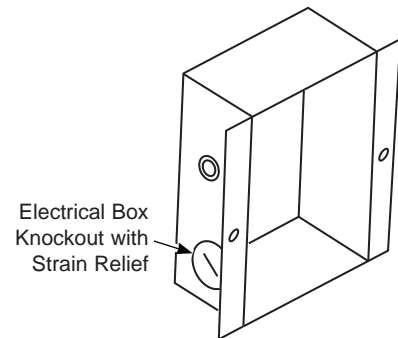


## ELECTRICAL CONNECTION

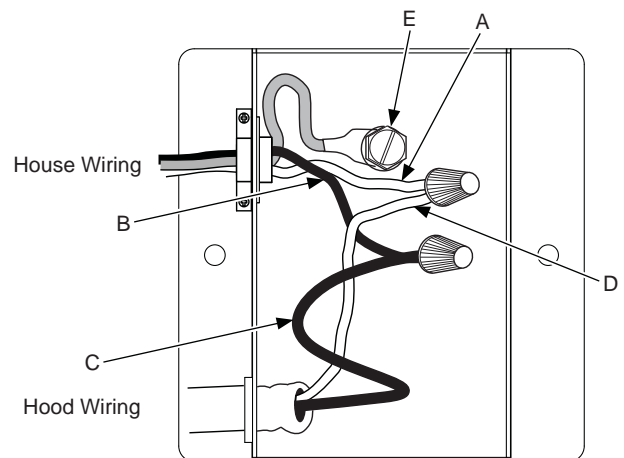
1. Remove the electrical junction box cover.



2. Remove the electrical box knockout.



3. Feed the Power Supply Cable through the hole and secure with a strain relief.
4. Attach the white lead of the power supply (A) to the white lead of the range hood (D) with a wire nut. Attach the black lead of the power supply (B) to the black lead of the range hood (C) with a wire nut. Connect the house ground wire under the green grounding screw (E).



5. Reattach the electrical junction box cover.

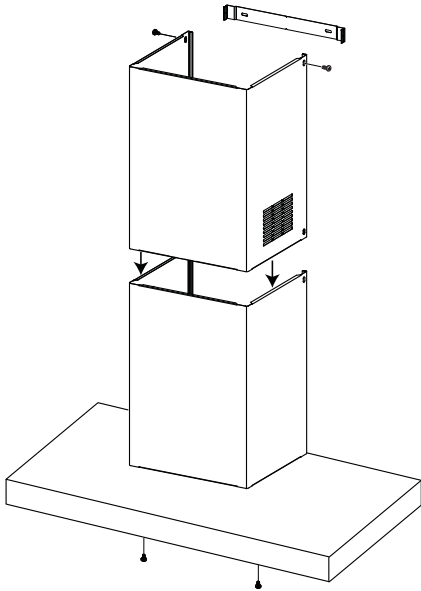
## INSTALL DUCT COVERS

1. **For ducted and recirculation installation:**  
Remove protective film from duct covers. Place the upper duct cover so that it slides down inside of the lower duct cover.

**NOTE:** For recirculation, the upper duct cover must be installed with the exhaust vents on the top towards the ceiling.

Depending on the amount of overlap between the top and bottom duct covers, the top may be reversed to hide vent holes. Refer to Installation Height Table for possible heights.

Place the set of duct covers by sitting them down to fit securely on top of the hood. Finish attaching the lower duct cover to the body of the hood with two machine screws (J) that screw from up underneath the hood.



2. Install the upper duct cover by carefully raising it up to avoid scratching until it reaches the ceiling. Push the duct cover flush against the wall, then use two machine screws (J) to mount the upper duct to the duct mounting bracket.
3. If recirculating, install the charcoal filters. Then reinstall the grease filters to the hood, see the Filters section.
4. Turn the power supply on. Turn on the blower and light. If the range hood does not operate, check that the circuit breaker is not tripped or the house fuse blown. If the unit still does not operate, disconnect the power supply and check that the wiring connections have been made properly.

# Installation

## MAKE UP AIR TECHNOLOGY

**Note to Installers and Inspectors:** This product comes equipped with a simple installation feature that limits maximum CFM levels in order to comply with certain local codes or regulations. This installation method may not be necessary for all installations, please refer to your local codes for further guidelines.

**⚠ CAUTION** Hood must be disconnected from main power prior performing the conversion instructions listed below. Failure to do so could result in personal injury or damage to the product.

**To modify unit (if needed for local codes):**

### 390CFM or 290CFM

By design, the maximum blower speed is greater than 400 CFM. For local codes requiring reduced CFM, modify the wiring as described below:

1. Open the filter cover panel and remove the filters.
2. Remove the control board box cover.
3. Locate the motor harness plugged into the control board.

**4. A - For a maximum of 390 CFM  
Unit can operate with 4 speeds  
(Low, Medium, High, Boost).**

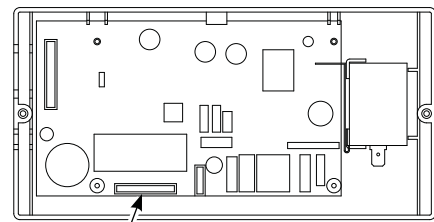
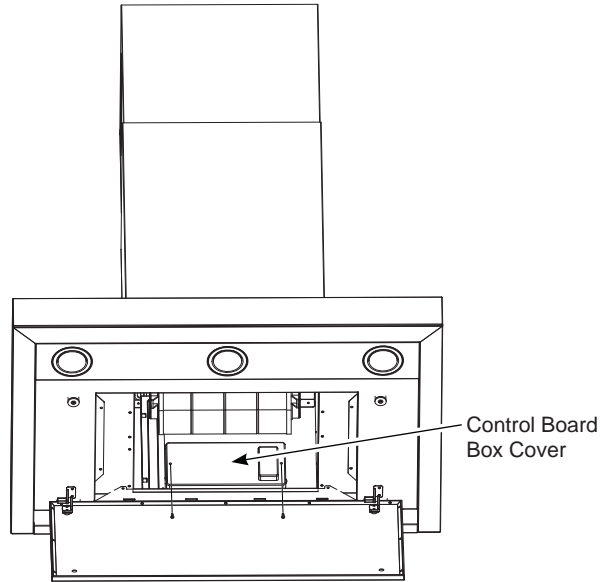
1. Disconnect the connector of the blue wire from the red wire.
2. Connect the 2 red wires together.
3. Cut off the blue unused connector and crimp the end if desired.

**B - For a maximum of 290 CFM  
Unit can operate with 3 speeds  
(Low, Medium, High).**

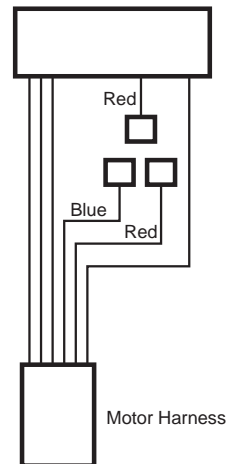
1. Disconnect the connector of the blue wire from the red wire.
2. Cut off the blue unused connector and crimp the end if desired.

5. Reattach the control board box cover and install Filters, see Filters section.

**Note to Inspectors:** To verify this product was installed in either configuration, check motor wiring connections as described above.



Motor Harness Connector



Motor Harness

# Troubleshooting tips ... Before you call for service

Save time and money! Review the charts on the following pages first and you may not need to call for service.

Problem	Possible Cause	What To Do
Fan/Light does not operate when button is turned ON	A house fuse may be blown or a circuit breaker tripped.	Replace fuse or reset circuit breaker.
Loud or abnormal airflow noise	Wrong duct size used in installation.	This hood requires 8" ducting to perform optimally. Using smaller duct pipe will cause reduced venting. Minimize the duct run length and number of transitions and elbows. GE Appliances service technicians cannot correct this issue if installed improperly.
Fan fails to circulate air or moves air slower than normal and/or fan is making loud or abnormal airflow noise	Obstructions in duct work.	Make sure nothing is blocking the vent. Make sure your wall or roof cap has a blade or door.
	Damper blade on wall or roof cap may not be open.	Make sure damper swings freely. Damper blades may flip over and will not fully open when this happens. Adjust to original position.
	Metal grease filter and charcoal filter (if present) may be dirty.	Clean the metal grease filter and replace charcoal filter (if present). See Care and Cleaning of the Vent Hood.
	Insufficient makeup (replacement) air	Sufficient makeup (replacement) air is required for exhausting appliances to operate to rating. Check with local building codes, which may require or strongly advise the use of makeup air. Visit <a href="http://GEAppliances.com">GEAppliances.com</a> for available makeup air solutions.
Early light failure	Light wattage is too high.	Replace with correct wattage.
Fan keeps going off and on	The motor is probably overheating and turning itself off. This can be harmful to the motor.	Check to be sure the filters are clean. If off and on cycling continues, call for service.
Hood will not work remotely	Router issues, no wireless signal, etc.	For assistance with hood wireless network connectivity, please call 800.220.6899.
	Hood is not connected.	

# GE Appliances Vented Range Hood Limited Warranty

## GEAppliances.com

All warranty service is provided by our Factory Service Centers, or an authorized Customer Care® technician. To schedule service online, visit us at [geappliances.com/service\\_and\\_support/](http://geappliances.com/service_and_support/), or call GE Appliances at 800.GE.CARES (800.432.2737). In Canada, visit [GEAppliances.ca/en/support/service-request](http://GEAppliances.ca/en/support/service-request) or call 800.561.3344. Please have your serial number and your model number available when calling for service.

Servicing your appliance may require the use of the onboard data port for diagnostics. This gives a GE Appliances factory service technician the ability to quickly diagnose any issues with your appliance and helps GE Appliances improve its products by providing GE Appliances with information on your appliance. If you do not want your appliance data to be sent to GE Appliances, please advise your technician not to submit the data to GE Appliances at the time of service.

For the period of	GE Appliances will replace
<b>One year</b> From the date of the original purchase	<b>Any part</b> of the cooking product which fails due to a defect in materials or workmanship. During this <b>limited one-year warranty</b> , GE Appliances will provide, <b>free of charge</b> , all labor and related service costs to replace the defective part.

### What GE Appliances will not cover:

- Service trips to your home to teach you how to use the product.
- Improper installation, delivery, or maintenance.
- Failure of the product if it is abused, misused, modified, or used for other than the intended purpose or used commercially.
- Replacement of house fuses or resetting of circuit breakers.
- Damage to the product caused by accident, fire, floods, or acts of God.
- Damage to finish, such as surface rust, tarnish, or small blemishes not reported within 48 hours of delivery.
- Incidental or consequential damage caused by possible defects with this appliance.
- Damage caused after delivery.
- Product not accessible to provide required service.
- Service to repair or replace light bulbs, except for LED lamps.

### EXCLUSION OF IMPLIED WARRANTIES

Your sole and exclusive remedy is product repair as provided in this Limited Warranty. Any implied warranties, including the implied warranties of merchantability or fitness for a particular purpose, are limited to one year or the shortest period allowed by law.

This limited warranty is extended to the original purchaser and any succeeding owner for products purchased for home use within the USA. If the product is located in an area where service by a GE Appliances Authorized Servicer is not available, you may be responsible for a trip charge or you may be required to bring the product to an Authorized GE Appliances Service location for service. In Alaska, the limited warranty excludes the cost of shipping or service calls to your home. Some states do not allow the exclusion or limitation of incidental or consequential damages. This limited warranty gives you specific legal rights, and you may also have other rights which vary from state to state. To know what your legal rights are, consult your local or state consumer affairs office or your state's Attorney General.

In Canada: This warranty is extended to the original purchaser and any succeeding owner for products purchased in Canada for home use within Canada. If the product is located in an area where service by a GE Authorized Servicer is not available, you may be responsible for a trip charge or you may be required to bring the product to an Authorized GE Service location. Some provinces do not allow the exclusion or limitation of incidental or consequential damages. This warranty gives you specific legal rights, and you may also have other rights which vary from province to province. To know what your legal rights are, consult your local or provincial consumer affairs office.

**Garante: GE Appliances, a Haier company**  
Louisville, KY 40225

**Garante en Canadá: MC Commercial**  
Burlington, ON, L7R 5B6

**Extended Warranties:** Purchase a GE Appliances extended warranty and learn about special discounts that are available while your warranty is still in effect. You can purchase it online anytime at

**In US:** [geappliances.com/service\\_and\\_support/shop-for-extended-service-plans.htm](http://geappliances.com/service_and_support/shop-for-extended-service-plans.htm)

**In Canada:** [geappliances.ca/en/support/purchase-extended-warranty](http://geappliances.ca/en/support/purchase-extended-warranty)

or call 800.626.2224 (Canada 866.277.9842) during normal business hours. GE Appliances Service will still be there after your warranty expires..

Staple your receipt here. Proof of the original purchase date is needed to obtain service under the warranty.

# Accessories

---

## Looking For Something More?

**GE Appliances offers a variety of accessories to improve your cooking and maintenance experiences!**

Refer to the Consumer Support page for phone numbers and website information.

The following products and more are available:

### Parts

---

Power Cord Kit

---

Make-up Air Kit

---

Charcoal Filter

---

Recirculation Kit

---

Remote Control

---

12' High Ceiling Duct Cover Kit

---

14' High Ceiling Duct Cover Kit

### Cleaning Supplies

---

CitruShine™ Stainless Steel Wipes

---

CERAMA BRYTE® Stainless Steel Appliance Cleaner

---

Bar Keepers Friend Soft Cleanser™

---

# Consumer Support

---

## GE Appliances Website

Have a question or need assistance with your appliance? Try the GE Appliances Website 24 hours a day, any day of the year! You can also shop for more great GE Appliances products and take advantage of all our on-line support services designed for your convenience. In the US: **GEAppliances.com**. In Canada: **GEAppliances.ca**.

---

## Register Your Appliance

Register your new appliance on-line at your convenience! Timely product registration will allow for enhanced communication and prompt service under the terms of your warranty, should the need arise. You may also mail in the pre-printed registration card included in the packing material. In the US: **GEAppliances.com/register**. In Canada: **Prodsupport.mabe.ca/crm/Products/ProductRegistration.aspx**

---

## Schedule Service

Expert GE Appliances repair service is only one step away from your door. Get on-line and schedule your service at your convenience any day of the year. In the US: **GEAppliances.com/service** or call 800.432.2737 during normal business hours. In Canada: **GEAppliances.com/en/support/service-request**

---

## Extended Warranties

Purchase a GE Appliances extended warranty and learn about special discounts that are available while your warranty is still in effect. You can purchase it on-line anytime. GE Appliances Services will still be there after your warranty expires. In the US: **GEAppliances.com/extended-warranty** or call 800.626.2224 during normal business hours. In Canada: **GEAppliances.com/en/support/purchase-extended-warranty**

---

## Remote Connectivity

For assistance with wireless network connectivity (for models with remote enable), visit our website at **GEAppliances.com/connected-home-smart-appliances/** or call 800.220.6899 in the US.

---

## Parts and Accessories

Individuals qualified to service their own appliances can have parts or accessories sent directly to their homes (VISA, MasterCard and Discover cards are accepted). Order on-line today 24 hours every day. In the US: **GEApplianceparts.com** or by phone at 877.959.8688 during normal business hours. In Canada: **GEAppliances.com/en/products/parts-filters-accessories**

**Instructions contained in this manual cover procedures to be performed by any user. Other servicing generally should be referred to qualified service personnel. Caution must be exercised, since improper servicing may cause unsafe operation.**

---

## Contact Us

If you are not satisfied with the service you receive from GE Appliances, contact us on our Website with all the details including your phone number, or write to:

In the US: General Manager, Customer Relations | GE Appliances, Appliance Park | Louisville, KY 40225  
**GEAppliances.com/contact**

In Canada : Director, Consumer Relations, Mabe Canada Inc. | Suite 310, 1 Factory Lane | Moncton, N.B. E1C 9M3  
**GEAppliances.ca/en/contact-us**





# HOTTES MURALES

<b>CONSIGNES DE SÉCURITÉ</b> .....	3
<b>UTILISATION DE LA HOTTE</b>	
Commandes .....	5
Chef Connect .....	5
<b>ENTRETIEN ET NETTOYAGE</b>	
Filtres .....	6
Surfaces .....	7
Ampoules .....	7
<b>INSTRUCTIONS</b>	
<b>D'INSTALLATION</b> .....	8
<b>TRUCS DE DÉPANNAGE</b> .....	18
<b>GARANTIE LIMITÉE</b> .....	22
<b>ACCESSOIRES</b> .....	23
<b>SOUTIEN AU</b>	
<b>CONSOUMATEUR</b> .....	24

**MANUEL  
D'UTILISATION ET  
INSTRUCTIONS  
D'INSTALLATION**

UVW9301  
UVW9361

Inscrivez ci-dessous les numéros  
de modèle et de série

N° de modèle \_\_\_\_\_

N° de série \_\_\_\_\_

Vous les trouverez sur une  
étiquette à l'intérieur de la hotte..

## **NOUS VOUS REMERCIONS D'ACCUEILLIR GE APPLIANCES CHEZ VOUS**

---

Que vous ayez grandi avec GE Appliances ou qu'il s'agisse de votre première acquisition, nous sommes heureux de vous accueillir dans notre famille.

Nous sommes fiers du savoir-faire, de l'innovation et de l'esthétique qui composent chaque appareil GE Appliances, et nous pensons que vous le serez aussi. Dans cette optique, nous vous rappelons que l'enregistrement de votre électroménager vous assure la communication de renseignements importants sur le produit et la garantie lorsque vous en avez besoin.

Enregistrez votre électroménager GE en ligne dès maintenant. Des sites Web et des numéros de téléphone utiles figurent dans la section Soutien au consommateur de ce manuel d'utilisation. Vous pouvez aussi poster la fiche de garantie pré-imprimée incluse dans l'emballage.



**GE APPLIANCES**

# CONSIGNES DE SÉCURITÉ IMPORTANTES

## VEUILLEZ LIRE TOUTES LES CONSIGNES AVANT D'UTILISER

**⚠ AVERTISSEMENT** POUR RÉDUIRE LE RISQUE D'INCENDIE, DE CHOC ÉLECTRIQUE OU DE BLESSURE CORPORELLE, OBSERVEZ LES DIRECTIVES SUIVANTES :

- A. Utilisez cet appareil seulement de la manière prévue par le fabricant. Si vous avez des questions, contactez le fabricant.
- B. Avant de réparer ou nettoyer l'appareil, coupez le courant au panneau de distribution électrique et verrouillez le dispositif de coupure pour éviter tout rétablissement accidentel du courant. Si vous ne pouvez pas verrouiller le dispositif de coupure de courant, attachez soigneusement un avertissement bien visible, par exemple une étiquette, sur le panneau de distribution électrique.
- C. N'utilisez pas cet appareil avec un régulateur de vitesse à semi-conducteurs.
- D. Cet appareil doit être mis à la terre.

**⚠ ATTENTION** POUR UN USAGE DE VENTILATION GÉNÉRALE SEULEMENT. NE PAS UTILISER CET APPAREIL POUR ÉVACUER DES MATIÈRES OU DES VAPEURS NOCIVES OU EXPLOSIVES.

**⚠ ATTENTION** AFIN DE RÉDUIRE LE RISQUE D'INCENDIE ET ÉVACUER L'AIR CORRECTEMENT, ASSUREZ-VOUS DE CANALISER L'AIR À L'EXTÉRIEUR. NE VENTILEZ PAS L'AIR D'ÉCHAPPEMENT DANS LES ESPACES À L'INTÉRIEUR DES MURS OU DES PLAFONDS, DANS LES COMBLES/ GRENIERS, LES VIDES SANITAIRES OU LES GARAGES.

**⚠ AVERTISSEMENT** AFIN DE RÉDUIRE LE RISQUE DE BLESSURE DANS L'ÉVENTUALITÉ D'UN FEU DE GRAISSE SUR LE DESSUS DE LA CUISINIÈRE, SUIVEZ LES CONSIGNES SUIVANTES\* :

- A. ÉTOUFFEZ LES FLAMMES à l'aide d'un couvercle hermétique, d'une tôle à biscuits ou d'un plateau métallique, puis éteignez le brûleur/l'élément. USEZ DE PRUDENCE POUR PRÉVENIR LES BRÛLURES. Si les flammes ne s'éteignent pas immédiatement, ÉVACUEZ LES LIEUX ET APPELEZ LE SERVICE DES INCENDIES.
- B. NE PRENEZ JAMAIS UN RÉCIPIENT DE CUISSON EN FLAMMES — Vous pourriez vous brûler.
- C. N'UTILISEZ PAS D'EAU, y compris des linges à vaisselle ou des serviettes mouillés — Une violente explosion de vapeur peut en résulter.
- D. Utilisez un extincteur SEULEMENT si :
  1. Vous savez que vous possédez un extincteur de Classe ABC et vous savez déjà comment l'utiliser.
  2. Le feu est petit et restreint à la zone où il a débuté.
  3. Le service des incendies a été contacté.
  4. Vous pouvez combattre le feu avec votre dos à proximité d'une sortie.

\*Selon le document « Kitchen Fire Safety » (sécurité relative aux feux de cuisine) publié par la NFPA.

LISEZ CES INSTRUCTIONS ET RANGEZ-LES SOIGNEUSEMENT

# CONSIGNES DE SÉCURITÉ IMPORTANTES

## VEUILLEZ LIRE TOUTES LES CONSIGNES AVANT D'UTILISER

### ▲ AVERTISSEMENT POUR RÉDUIRE LE RISQUE DE FEU DE GRAISSE SUR LE DESSUS DE LA CUISINIÈRE :

- A. Ne laissez jamais les éléments/brûleurs de surface sans surveillance aux réglages de haute température. Les débordements produisent de la fumée et des éclaboussures de graisse qui peuvent prendre feu. Chauffez les huiles lentement à des réglages moyens.
- B. Mettez toujours la hotte en marche lorsque vous cuisez à haute température ou flambez un aliment (p.ex. crêpes Suzette, cerises jubilé, bœuf au poivre flambé).
- C. Nettoyez les ventilateurs fréquemment. Ne laissez pas la graisse s'accumuler sur le ventilateur ou le filtre.
- D. Utilisez un récipient de cuisson de la taille appropriée. Utilisez toujours un récipient adapté à la taille de l'élément/brûleur de surface.

### ▲ AVERTISSEMENT POUR RÉDUIRE LE RISQUE D'INCENDIE, DE CHOC ÉLECTRIQUE OU DE BLESSURE CORPORELLE, OBSERVEZ LES DIRECTIVES SUIVANTES :

- A. Vous devez faire exécuter tous les travaux d'installation et de câblage électrique par une personne qualifiée, conformément à tous les codes et les normes en vigueur, en particulier ceux relatifs à la résistance au feu.

- B. Un volume d'air suffisant est nécessaire pour assurer une combustion adéquate et l'évacuation des gaz par le conduit d'évacuation (cheminée) de l'équipement de combustion afin d'éviter tout retour d'air. Suivez les directives du fabricant de l'équipement de cuisson, les codes des autorités locales ainsi que les normes de sécurité publiées par des organismes tels que la National Fire Protection Association (NFPA) et l'American Society for Heating, Refrigeration and Air Conditioning Engineers (ASHRAE).
- C. Si vous faites un trou ou une ouverture dans un mur ou un plafond, n'endommagez pas les fils électriques et les autres installations cachées de service public.
- D. Les ventilateurs canalisés doivent toujours diriger l'air vers l'extérieur.
- E. Lorsqu'il y a lieu, installez un système d'air d'appoint en conformité avec les prescriptions du code du bâtiment local. Visitez **GEAppliances.com** pour les solutions offertes en matière d'air d'appoint.
- F. Déclenchez (OFF) le(s) disjoncteur(s) des pièces adjacentes lorsque vous travaillez.

### ▲ AVERTISSEMENT POUR RÉDUIRE LE RISQUE D'INCENDIE, UTILISEZ SEULEMENT DES CONDUITS MÉTALLIQUES.

- Ne tentez pas de réparer ou de remplacer une pièce de la hotte sauf si cela est spécifiquement recommandé dans ce manuel. Toute autre réparation devrait être confiée à un technicien qualifié.

### Comment retirer le film protecteur d'expédition et le ruban adhésif d'emballage

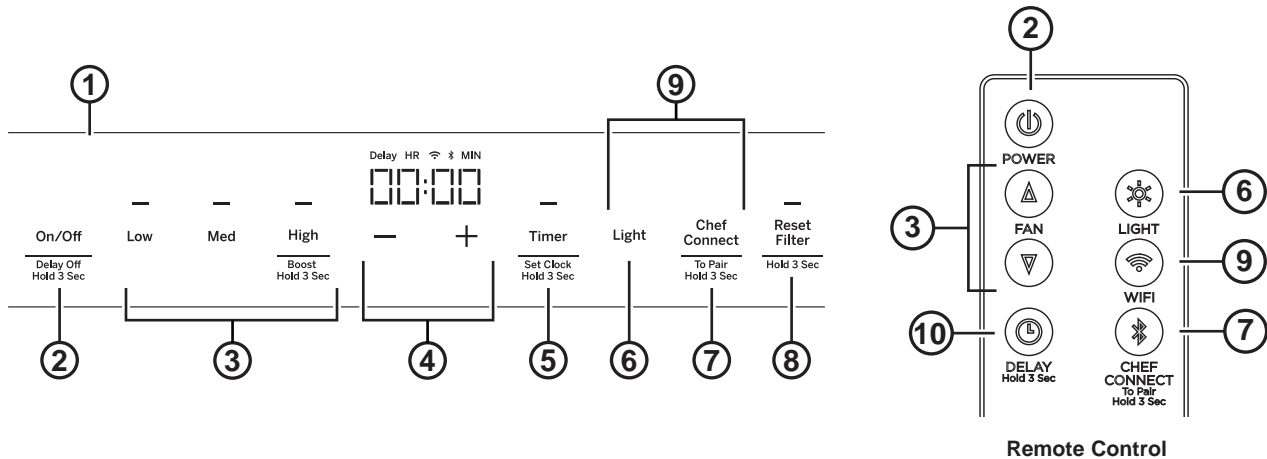
Saisissez délicatement un coin du film protecteur d'expédition avec vos doigts et le décollez lentement de la surface de l'appareil. N'utilisez pas d'objets pointus pour retirer le film. Retirez complètement le film avant d'utiliser l'appareil pour la première fois.

Pour assurer ne pas endommager la finition du produit, la façon la plus sûre pour enlever le ruban adhésif de l'emballage sur les nouveaux appareils consiste à appliquer un détergent à vaisselle liquide à l'aide d'un chiffon doux et à laisser tremper.

**REMARQUE :** L'adhésif doit être retiré de toutes les parties.

**REMARQUE :** Pour des instructions et suggestions de nettoyage, veuillez vous reporter à la section Entretien et nettoyage.

## LISEZ CES INSTRUCTIONS ET RANGEZ-LES SOIGNEUSEMENT



- Panneau de commande de la hotte :** Le panneau de commande est situé sur le devant de la hotte. La position et la fonction de chaque bouton de commande sont décrites ci-dessous.
- Marche-Arrêt (On/Off) :** Interrupteur marche-arrêt pour le ventilateur et l'éclairage de l'écran. On peut mettre le ventilateur en marche en pressant n'importe laquelle de ses touches de réglage. Pressez la touche **On/Off** durant 3 secondes pour activer la fonction d'arrêt différé (Delay Off) qui arrête automatiquement le ventilateur au bout de 15 minutes.
- Réglage du ventilateur :** Contrôle de la vitesse du ventilateur. Pressez **LOW** pour une basse vitesse. **MED** pour une vitesse moyenne et **HIGH** pour une haute vitesse. Maintenir une pression sur la touche **HIGH** durant 3 secondes pour accélérer à **BOOST** (très haute vitesse), laquelle fonctionnera durant 10 minutes. Sur la télécommande, pressez ▲ pour augmenter la vitesse ou pressez ▼ pour la diminuer (incluant Boost).
- Touches plus et moins :** Les touches plus (+) et moins (-) contrôlent le temps de l'horloge et de la minuterie. Pour ajouter du temps, tapez la touche « + ». Pour soustraire du temps, tapez la touche « - ».
- Minuterie (Timer) :** Permet de régler l'horloge ou une minuterie pour la cuisson. Pour démarrer la minuterie, tapez la touche **Timer** et l'horloge va afficher « HR » et « MIN ». Tapez + ou - pour ajouter ou soustraire du temps. Tapez **Timer** de nouveau pour démarrer le compte à rebours. Pour annuler la minuterie, tapez **Timer** encore une fois. Pressez la touche **Timer** durant 3 secondes pour régler l'horloge. Tapez la touche « + » ou « - » pour régler l'heure. Tapez **Timer** de nouveau pour régler les minutes. Tapez encore **Timer** pour valider le réglage de l'heure. L'horloge va se synchroniser une fois l'appareil connecté au Wi-Fi.
- Éclairage (Light) :** Contrôle l'éclairage. Tapez la touche **Light** pour allumer l'éclairage pleinement. Tapez **Light** de nouveau pour un éclairage en veilleuse. Tapez **Light** une troisième fois pour éteindre l'éclairage.
- Chef Connect:** Pressez la touche **Chef Connect** durant 3 secondes pour activer la communication Bluetooth®. Il s'agit d'une fonction d'appariement Bluetooth® pour une utilisation avec d'autres produits compatibles Chef Connect sur une table de cuisson ou une cuisinière. Lorsque l'appareil est apparié, l'éclairage et le ventilateur vont s'allumer aux réglages de synchronisation par défaut sur réception d'une commande émise par la cuisinière ou la table de cuisson. Ils demeureront en marche à ce réglage jusqu'à une modification par l'utilisateur. Pour appairer un produit, pressez le bouton **Chef Connect** durant 3 secondes. Pour mettre fin à l'appariement, pressez le bouton durant un autre 3 secondes, voyez la section **Chef Connect** pour des précisions.
- Réinitialisation du filtre (Reset Filter) :** Le témoin lumineux rouge au-dessus de la touche **Reset Filter** s'allume pour rappeler de changer ou nettoyer le filtre. Pressez **Reset Filter** durant 3 secondes pour l'éteindre. Tapez **Reset Filter** de nouveau pour recommencer à calculer le temps. Bien que ce témoin lumineux rappelle à l'utilisateur de changer ou nettoyer les filtres, ceux-ci doivent être nettoyés régulièrement. Veuillez vous reporter à la section **Filtres**.
- Wi-Fi :** Pressez les touches **Light** et **Chef Connect** durant 3 secondes pour activer le mode de connexion Wi-Fi. Le symbole Wi-Fi au-dessus de l'horloge clignotera durant 3 secondes puis restera allumé. Voyez la section **Wi-Fi** pour plus de précisions. Sur la télécommande, pressez **Wi-Fi** pour naviguer la fonction Wi-Fi.
- Arrêt différé (télécommande seulement) :** Pressez ce bouton pour activer ou désactiver la fonction d'arrêt différé (Delay Off).

# Connectivité Chef (Chef Connect)

## Connexion Bluetooth® avec Chef Connect

### Pour s'apparier avec un autre appareil :

Pour démarrer le processus d'appariement sur la hotte, appuyez sur le bouton **Chef Connect** pendant 3 secondes. Le rétroéclairage des boutons va clignoter et jusqu'à ce que la hotte soit appariée avec la cuisinière ou un autre produit. Si l'appariement réussit, le symbole Bluetooth® au-dessus de l'horloge s'allumera et restera ainsi le temps de l'appariement.

Il y aura expiration après 2 minutes si l'appariement n'est pas établi, après quoi la séquence d'appariement devra être relancée.

### Pour annuler l'appariement :

Pour annuler l'appariement, maintenez une pression sur la touche **Chef Connect** pendant 3 secondes puis éteignez la hotte.

### Réglages de synchronisation par défaut :

Le réglage d'usine par défaut pour l'éclairage sera au plus vif.

Le réglage d'usine par défaut pour la synchronisation du ventilateur sera OFF (arrêt).

Vous pouvez changer les réglages de synchronisation par défaut en maintenant une pression sur la touche **Low** pendant 3 secondes. Vous entrerez ainsi dans le mode des réglages par défaut. Une fois dans ce mode, tous les boutons (Low, Med, High, Light, Chef Connect) vont clignoter indéfiniment et le ventilateur et l'éclairage vont passer au réglage de synchronisation par défaut actuel, vous permettant de connaître la valeur par défaut courante. Réglez alors l'éclairage et le ventilateur aux valeurs par défaut désirées. Une fois satisfait de votre sélection, maintenez une pression sur la touche **Off** pendant 3 secondes. Vous quitterez alors ce mode. Le rétroéclairage va cesser de clignoter et le ventilateur et l'éclairage vont retourner à l'état qui précède l'entrée dans le mode des réglages par défaut.

## Connexion WI-FI

### Connexion de votre hotte compatible Wi-Fi (certains modèles)

Votre hotte GE Appliances est conçue pour vous procurer une communication bidirectionnelle entre votre électroménager et un appareil intelligent. En utilisant les fonctions de connexion Wi-Fi de GE Appliances, vous serez en mesure de contrôler les actions essentielles de la hotte telles que la vitesse du ventilateur, l'intensité de l'éclairage, l'horloge et la minuterie, le délai de mise en arrêt et l'avis de nettoyage des filtres et ce, à partir de votre téléphone intelligent ou votre tablette.

#### Ce dont vous aurez besoin

Votre hotte GE Appliances utilise votre réseau Wi-Fi domestique pour communiquer entre l'électroménager et votre appareil intelligent. Pour configurer votre hotte GE Appliances, vous devez recueillir certains renseignements :

1. Chaque hotte GE Appliances est munie d'une étiquette de renseignements concernant l'appareil connecté sur laquelle figure un nom de réseau d'appareils et un mot de passe. Il s'agit des deux renseignements importants dont vous avez besoin pour connecter votre électroménager. L'étiquette est située sur le côté de l'appareil derrière les filtres.

Connected Appliance Information	
FCC ID: ZKJ-WCATA005	Network: *****
IC: 10229A-WCATA001	Password: *****
MAC ID: *****	

Exemple d'étiquette

2. Préparez votre tablette ou votre téléphone intelligent en vue d'accéder à l'Internet et de télécharger des applications.
3. Vous devez connaître le mot de passe de votre routeur Wi-Fi domestique. Ayez ce mot de passe à portée de la main lors de la configuration de votre hotte GE Appliances.

#### Connexion de votre hotte GE Appliances

1. Sur votre tablette ou votre téléphone intelligent, visitez **GEAppliances.com/connect** pour en savoir davantage sur les fonctions de connexion d'électroménagers et pour télécharger l'application pertinente.
2. Suivez les instructions de l'application sur l'écran pour connecter votre hotte GE Appliances.
3. Une fois le processus terminé, le voyant de connexion situé sur l'écran de votre hotte GE Appliances s'allumera et l'application confirmera que vous êtes connecté.
4. Si le voyant de connexion ne s'allume pas ou s'il clignote, suivez les instructions de l'application pour vous reconnecter. Si le problème persiste, composez le 800.220.6899 et demandez de l'aide concernant la connectivité sans fil de votre hotte.

Pour connecter des appareils intelligents supplémentaires, répétez les étapes 1 et 2.

Notez que toute modification ou tout remplacement du dispositif de communication à distance installé sur cette hotte qui n'est pas explicitement approuvé(e) par le fabricant peut annuler le droit de l'utilisateur de se servir de cet équipement.

\*Des appareils Apple ou Android compatibles et un réseau Wi-Fi domestique sont requis.

# Filtres

Assurez-vous que le disjoncteur est déclenché (OFF) et que toutes les surfaces sont refroidies avant de nettoyer ou de réparer une partie quelconque de la hotte.

## Filtre à graisse métallique

Les filtres métalliques capturent la graisse pendant la cuisson.

Les filtres doivent **TOUJOURS** être en place lorsque la hotte est utilisée. Les filtres à graisse vont au lave-vaisselle et il faut les nettoyer une fois par mois, selon la fréquence d'utilisation de la hotte.

### Pour retirer :

Ouvrez le panneau du filtre et dégagez le loquet pour libérer le filtre.

### Remise en place :

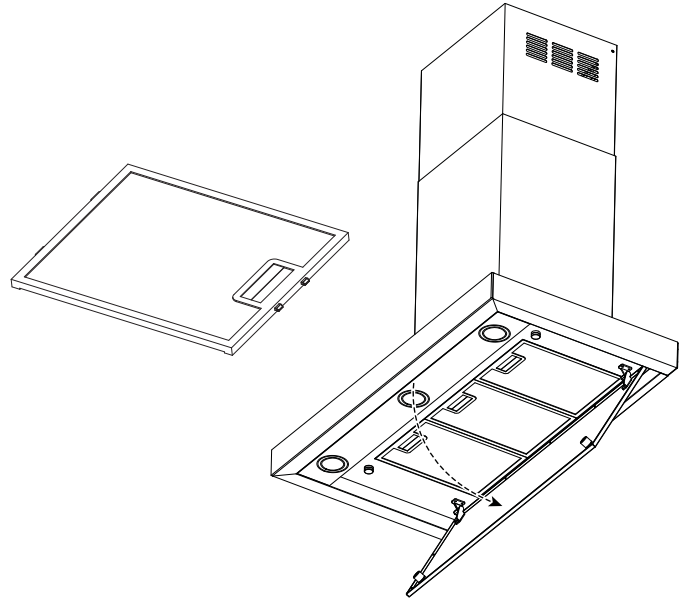
Insérez les languettes du bas du filtre dans les fentes à l'arrière de l'ouverture du filtre. Soulevez le côté avant du filtre et poussez avec soin jusqu'à ce que le filtre se verrouille en place. Pour fixer le filtre, assurez-vous que son loquet est dans la position fermée.

**REMARQUE :** Le panneau frontal recouvre les filtres et il faut le presser vers le haut puis le tirer vers le bas pour accéder aux filtres.

### Pour nettoyer :

Remuez le filtre dans l'eau chaude savonneuse et rincez à l'eau claire ou mettez-le au lave-vaisselle. N'utilisez pas de nettoyeurs abrasifs.

**REMARQUE :** Une certaine décoloration des filtres peut survenir dans le lave-vaisselle.



## Filtre à charbon (pour une installation à recyclage de l'air seulement)

Si la ventilation de votre modèle ne s'évacue pas à l'extérieur, l'air sera recyclé à travers un filtre à charbon jetable qui capte la fumée et les odeurs.

**REMARQUE :** NE rincez PAS le filtre à charbon et ne le mettez pas dans le lave-vaisselle.

**Il est impossible de nettoyer le filtre à charbon. Il doit être remplacé. Nous recommandons que le filtre à charbon soit remplacé tous les 6 mois ou s'il s'encrasse ou se décolore sensiblement.**

### Commandez le filtre à charbon UXCF91 (non inclus)

Pour des renseignements sur l'achat de filtres à charbon ou pour trouver le détaillant le plus près de chez vous, veuillez composer notre numéro sans frais :

**Centre des pièces national, 800.626.2002**

**Au Canada : [electromenagersge.ca](http://electromenagersge.ca) ou composez le 800.661.1616**

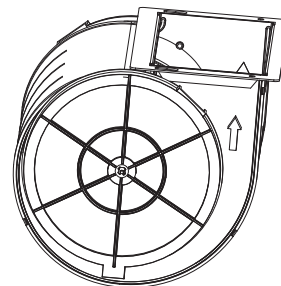
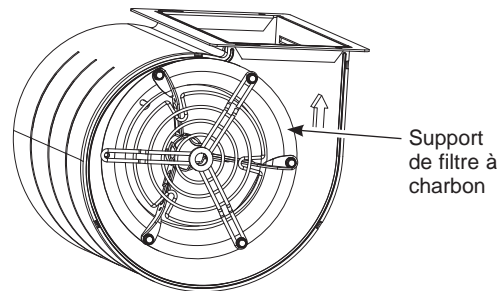
### Pour installer :

1. Retirez les filtres métalliques, voyez la section Filtre à graisse métallique.
2. Installez les supports de filtre à charbon sur les côtés du moteur à l'aide de trois vis par côté.
3. Insérez la languette du filtre à charbon dans la fente triangulaire du support.
4. Attachez le filtre à charbon jusqu'à ce qu'il soit verrouillé.
5. Répétez la manœuvre pour l'autre filtre de l'autre côté du moteur.

6. Remettez en place les filtres métalliques, voyez la section Filtre à graisse métallique.

### Pour retirer :

1. Retirez les filtres métalliques, voyez la section Filtre à graisse métallique.
2. Détachez le filtre à charbon en pressant la pince de retenue.
3. Retirez avec soin le filtre à charbon de la languette.



# Surfaces

## Surfaces en acier inoxydable (certains modèles)

**N'utilisez pas de tampon à récurer en acier car ils rayeront la surface.**

Pour nettoyer la surface en acier inoxydable, utilisez une eau tiède savonneuse ou un nettoyant ou poli pour acier inoxydable. Essayez toujours la surface dans la direction de la ligne de brossage. Suivez les instructions du produit de nettoyage pour acier inoxydable. Les nettoyants qui contiennent de l'acide oxalique tels que Bar **Keepers Friend Soft Cleanser™** vont éliminer la rouille, le ternissement et les petites taches. Pour recevoir un coupon d'échantillon du nettoyant Bar **Keepers Friend Soft Cleanser™**, suivez le lien ci-dessous ou numérisez le code QR.

[barkeepersfriend.com/ge](http://barkeepersfriend.com/ge)



Utilisez uniquement un nettoyant liquide exempt d'abrasif et frottez dans la direction des lignes de brosse à l'aide d'une éponge douce humide.

Pour des renseignements sur l'achat de produits de nettoyage ou de polissage pour acier inoxydable ou pour trouver le détaillant le plus près de chez vous, veuillez composer notre numéro sans frais :

**National Parts Center**  
800.626.2002

[electromenagersge.ca](http://electromenagersge.ca)

Au Canada : composez le 800.661.1616

## Surfaces peintes et acier inoxydable de couleur noir (certains modèles)

**N'utilisez pas de tampons à récurer en laine d'acier ni d'autres nettoyants abrasifs car ils rayeront la surface.**

Nettoyez les surfaces graisseuses de la hotte fréquemment. Pour nettoyer la surface de la hotte, utilisez un linge imbibé d'une solution d'eau chaude ajoutée d'un détergent doux qui convient aux surfaces peintes. On peut ajouter une cuillère à table d'ammoniac à l'eau. Utilisez un linge propre imbibé d'eau chaude pour retirer le savon. Faites sécher à l'aide d'un linge doux et propre.

**REMARQUE :** Lors du nettoyage, veillez à ne pas toucher aux filtres ni aux autres surfaces.

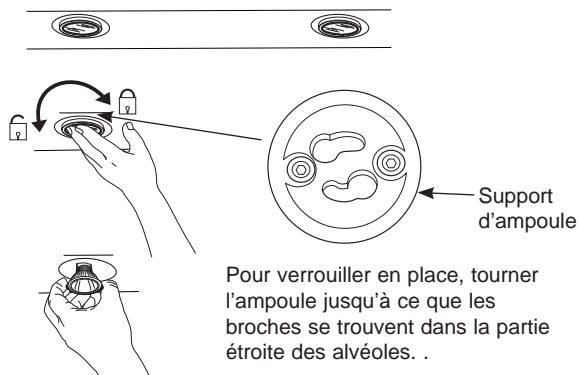
**⚠ ATTENTION** Lorsque vous nettoyez les surfaces de la hotte, assurez-vous de ne pas toucher à la lampe avec les mains ou un linge humides. Une lampe chaude peut se briser si elle entre en contact avec une surface mouillée. Laissez toujours la lampe refroidir complètement avant de nettoyer autour d'elle.

# Ampoules

**⚠ ATTENTION** Laissez les ampoules refroidir avant de les toucher.

1. Avant de remplacer les ampoules, assurez-vous de mettre l'interrupteur à la position d'arrêt (Off).
2. Tournez l'ampoule dans le sens contraire des aiguilles pour déverrouiller puis tirez. Vous obtiendrez une meilleure prise en portant des gants de latex.
3. Remplacez par une nouvelle ampoule du même type et insérez les broches correctement dans les alvéoles du support d'ampoule et tournez dans le sens des aiguilles pour verrouiller.

**Toutes les ampoules doivent être de type GU10.**





# Instructions d'installation

## Hottes murales

UVW9301, U VW9361

? Pour toute question, contactez GE Appliances au 800.561.3344 ou visitez notre site Web sur : [electromenagersge.ca](http://electromenagersge.ca) au 800.661.1616

### AVANT DE COMMENCER

Veillez lire toutes ces instructions attentivement et en entier.

- **IMPORTANT** — Conservez ces instructions à l'usage de l'inspecteur local.
- **IMPORTANT** — Observez tous les codes et règlements en vigueur.
- **Note à l'installateur** – Assurez-vous de laisser ces instructions au consommateur.
- **Note au consommateur** – Conservez ces instructions pour consultation ultérieure.
- **Niveau de compétence** – L'installation de cette hotte exige des compétences de base en mécanique et électricité.
- **Temps d'exécution** – De 1 à 3 heures.
- L'exactitude de l'installation est la responsabilité de l'installateur.
- La garantie ne couvre pas les défauts du produit causés par une installation inadéquate.

### ⚠ ATTENTION

En raison du poids et de la taille de ce type de hotte et de la nécessité de réduire le risque de blessure personnelle ou de dommage au produit, **DEUX PERSONNES SONT REQUISES POUR PROCÉDER À UNE INSTALLATION ADÉQUATE.**

### POUR VOTRE SÉCURITÉ

#### ⚠ AVERTISSEMENT

Avant de commencer l'installation, coupez le courant au panneau de service et verrouillez les mécanismes de débranchement de service pour éviter tout branchement accidentel au courant. Si vous ne pouvez pas verrouiller les mécanismes de débranchement de service, attachez soigneusement un avertissement bien visible, comme une étiquette, au panneau de service.

#### ⚠ AVERTISSEMENT

Pour réduire le risque d'incendie, de choc électrique ou de blessure corporelle, observez les directives suivantes :

- A. Vous devez faire exécuter tous les travaux d'installation et de câblage électrique par une personne qualifiée, conformément à tous les codes et les normes en vigueur, en particulier ceux relatifs à la résistance au feu.
- B. Un volume d'air suffisant est nécessaire pour assurer une combustion adéquate et l'évacuation des gaz par le conduit d'évacuation (cheminée) de l'équipement de combustion afin d'éviter tout retour d'air. Suivez les directives du fabricant de matériel de combustion et les normes de sécurité comme celles publiées par la National Fire Protection Association (NFPA) et l'American Society for Heating, Refrigeration and Air Conditioning Engineers (ASHRAE), ainsi que les modalités des codes locaux.
- C. Si vous faites un trou ou une ouverture dans un mur ou un plafond, n'endommagez pas les fils électriques et les autres installations cachées de service public.
- D. Les ventilateurs canalisés doivent toujours diriger l'air vers l'extérieur.
- E. Désarmez (OFF) le disjoncteur relié aux pièces adjacentes lorsque vous travaillez.

#### ⚠ AVERTISSEMENT

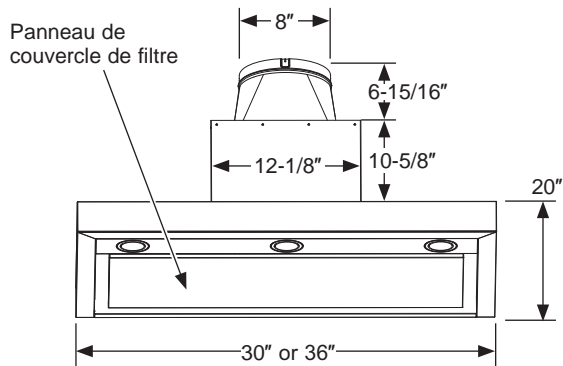
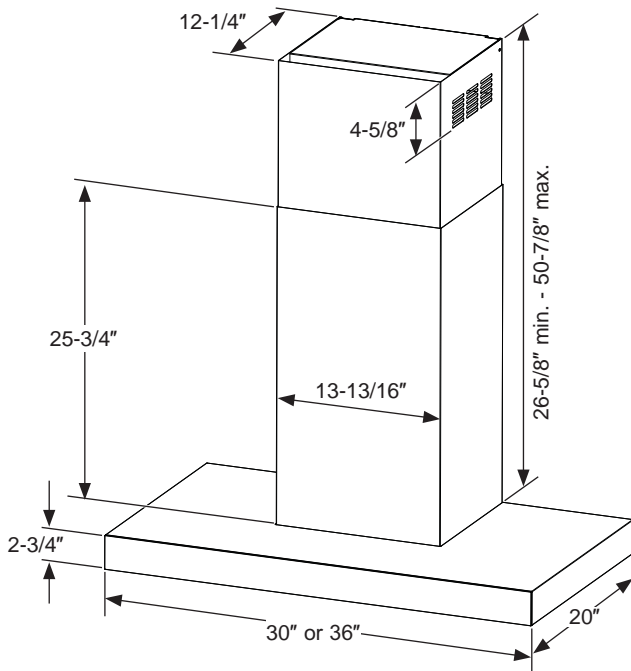
**POUR RÉDUIRE LE RISQUE D'INCENDIE, UTILISEZ UNIQUEMENT DES CONDUITS MÉTALLIQUES.**

#### ⚠ AVERTISSEMENT

Avant l'installation, coupez l'alimentation électrique au disjoncteur principal ou à la boîte des fusibles.

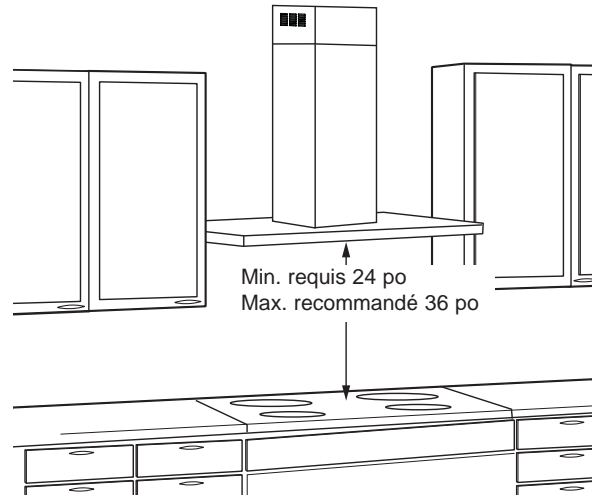
# Préparation de l'installation

## DIMENSIONS DU PRODUIT



## DÉGAGEMENTS POUR L'INSTALLATION

Ces hottes sont conçues pour s'installer sur un mur sans la présence d'armoires au-dessus.



La hotte doit être installée entre le minimum requis de 24 po et le maximum recommandé de 36 po au-dessus de la surface de cuisson. Pour les hauteurs de plafond requises par la présence d'un couvercle de conduit (fourni), voyez le Tableau des hauteurs d'installation.

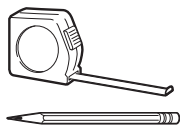
**REMARQUE :** La hauteur d'installation doit être mesurée depuis la surface de cuisson jusqu'à la partie la plus basse de la hotte. La hotte doit être installée sur un mur. Elle peut être ventilée vers l'extérieur ou par un dispositif de recyclage de l'air. Pour le fonctionnement en recyclage de l'air, reportez-vous à la section Planification de l'installation en recyclage de l'air.

Chaque trousse de raccordement de cordon de hotte est normalement accompagnée d'instructions d'installation qui décrivent le montage et le câblage prévus de la trousse.

1" = 2.5 cm

# Préparation de l'installation

## OUTILS ET MATÉRIEL REQUIS (NON FOURNIS)



Crayon et ruban à mesurer



Lunettes de protection



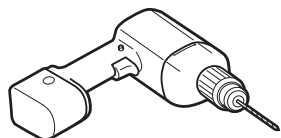
Niveau



Tournevis à tête cruciforme



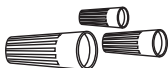
Outil à couper et dénuder les fils



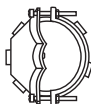
Perceuse électrique avec embout étoilé no 2 et foret 1/8 po



Ruban à conduits aluminisé



Capuchons de connexion homologués UL



Serre-câble pour boîte de jonction



Conduit rond 8 po (la longueur varie)



Gants

## RETRAIT DE L'EMBALLAGE

**ATTENTION** Portez des gants pour vous protéger contre les arêtes coupantes.

- Retirez les couvercles de conduit.
- Retirez le sac de quincaillerie, la documentation et les autres pièces dans des boîtes.
- Retirez et jetez proprement l'emballage de protection en plastique et les autres matières d'emballage.

## PLANIFIEZ L'INSTALLATION

**ATTENTION** Afin de réduire le risque d'incendie et évacuer l'air correctement, assurez-vous de canaliser l'air à l'extérieur – Ne ventilez pas l'air d'évacuation dans l'espace à l'intérieur des murs, des plafonds ou des combles, ni dans les vides sanitaires ou les garages.

### PIÈCES FOURNIES POUR L'INSTALLATION

- 1 sac de quincaillerie
- 1 sac de documentation
- Conduit pour recyclage de l'air (pour installation en recyclage seulement)

- Filtres à charbon (pour recyclage de l'air)

### PIÈCES NÉCESSAIRES POUR L'INSTALLATION

- 1 serre-câble
- 1 évent mural ou de toit (pour canalisation vers l'extérieur seulement)
- Tous les conduits et raccords (pour canalisation vers l'extérieur seulement)

## AVERTISSEMENT RISQUE DE BLESSURE

En raison du poids et de la taille du cône d'aspiration de la hotte, nous recommandons la participation de 2 personnes pour installer la hotte. Le soulèvement incorrect de la hotte peut occasionner des dommages au produit ou des blessures personnelles.

**REMARQUE** : Cette hotte peut s'installer avec canalisation vers l'extérieur ou en recyclage de l'air. En canalisation, cette hotte peut être ventilée à travers un mur ou un plafond. En installation de recyclage de l'air, la hotte évacue par les côtés du couvercle de conduit.

**REMARQUE** : Avant de faire des coupes ou de percer des trous pour l'installation, déterminez la méthode de ventilation qui sera utilisée et calculez toutes les mesures avec précision.

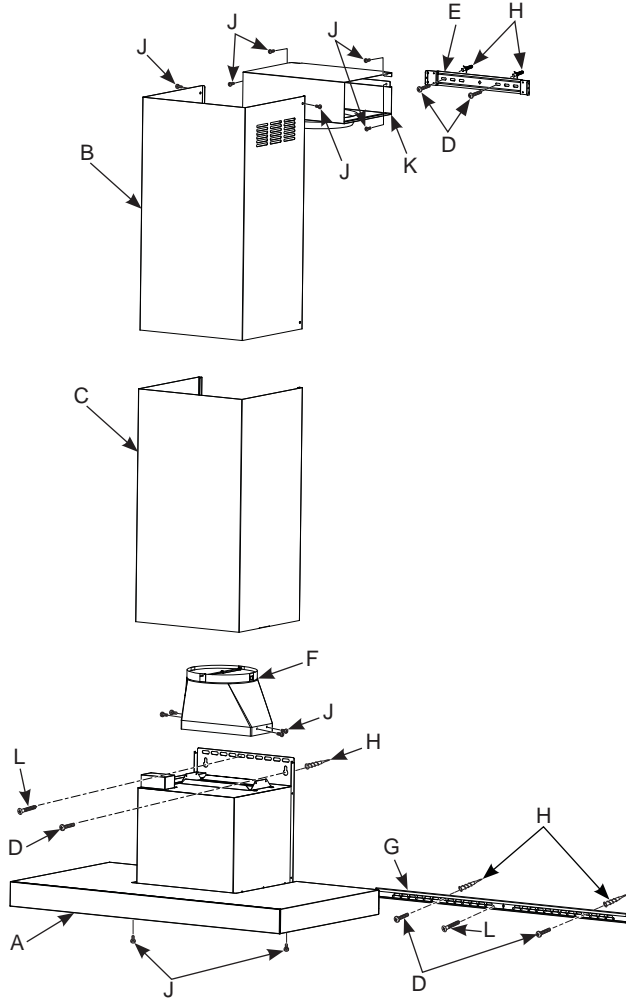
Utilisez seulement des trousse de raccordement de cordon de hotte qui ont été testées et acceptées pour utilisation avec ce modèle de hotte.

1" = 2.5 cm

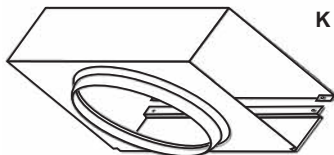
# Préparation de l'installation

## COMPOSANTS DE LA HOTTE

- A. Hotte murale
- B. Couvercle de conduit supérieur
- C. Couvercle de conduit inférieur
- D. Vis de montage
- E. Support de montage du couvercle de conduit
- F. Registre
- G. Support de montage de la hotte
- H. Ancrages de montage
- J. Vis de mécanique
- K. Boîte de recyclage de l'air
- L. Vis à bois

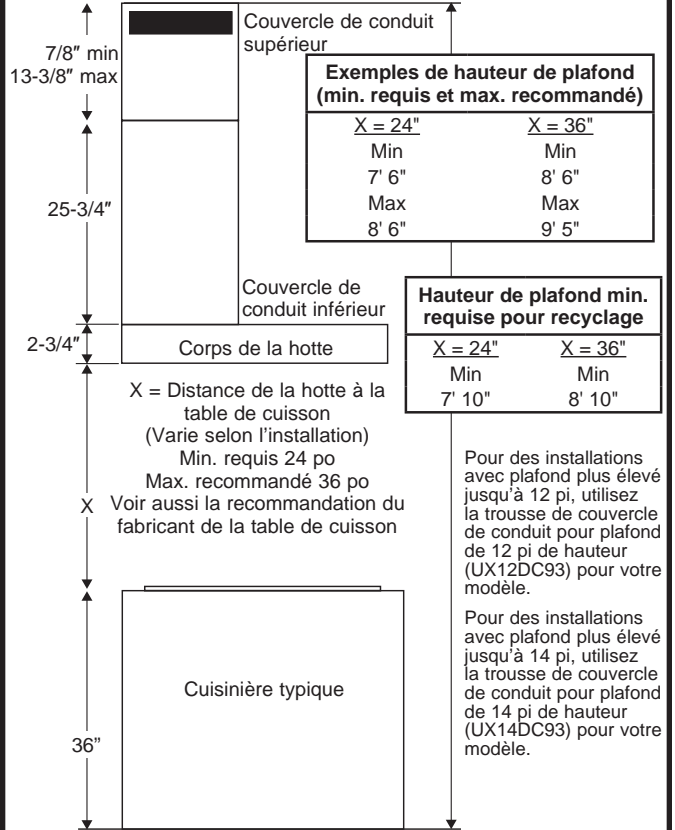


## COMPOSANTS DU DISPOSITIF DE RECYCLAGE DE L'AIR



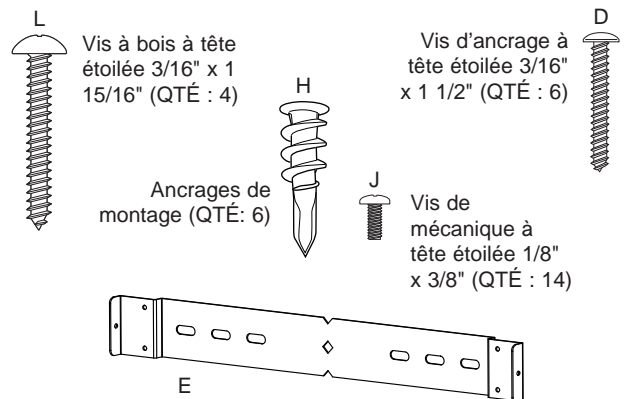
## DIMENSIONS DE L'INSTALLATION

Les couvercles des hottes murales peuvent être ajustés pour différentes hauteurs de plafond selon la distance entre le bas de la hotte et la table de cuisson (distance X). Voyez le Tableau des hauteurs d'installation.



## COMPOSANTS DE QUINCAILLERIE

**REMARQUE :** L'extension de cheminée remplace la cheminée supérieure et inférieure livrée avec la hotte. La quincaillerie incluse avec la hotte doit être conservée et aussi utilisée pour l'extension de cheminée.



1' = 0.3 m, 1" = 2.5 cm

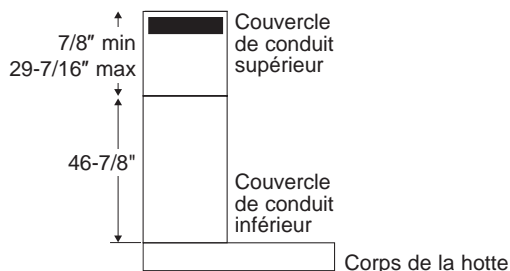
# Préparation de l'installation

**TABLEAU DES HAUTEURS D'INSTALLATION**

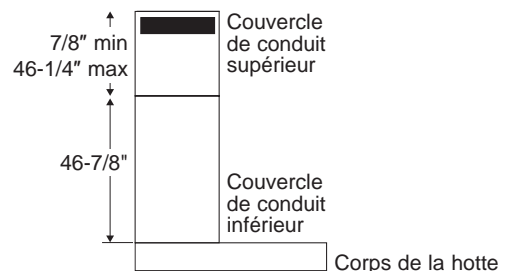
Hauteur d'installation avec couvercles de conduit fournis				(UX12DC9SLSS ou UX12DC9BJTS)		(UX14DC9SLSS ou UX14DC9BJTS)	
				Couvercle de conduit - Plafond haut jusqu'à 12 pi (en option)		Couvercle de conduit - Plafond haut jusqu'à 14 pi (en option)	
Hauteur plafond (pi/po)	Hauteur d'installation ventilée possible (po)	Hauteur d'installation ventilée possible (trous recyclage d'air cachés (po))	Hauteur d'installation en recyclage possible (po)	Hauteur plafond (pi/po)	Hauteur - Ventilation et recyclage (po)	Hauteur plafond (pi/po)	Hauteur - Ventilation et recyclage (po)
7' 6"	24	24		9' 3"	24	12'	24-36
7' 7"	24-25	24-25		9' 4"	24-25	12' 1"	24-36
7' 8"	24-26	24-26		9' 5"	24-26	12' 2"	24-36
7' 9"	24-27	24-27		9' 6"	24-27	12' 3"	24-36
7' 10"	24-28	24-28	24	9' 7"	24-28	12' 4"	24-36
7' 11"	24-29	24-29	24-25	9' 8"	24-29	12' 5"	24-36
8'	24-30	24-30	24-26	9' 9"	24-30	12' 6"	24-36
8' 1"	24-31	24-31	24-27	9' 10"	24-31	12' 7"	24-36
8' 2"	24-32	24-32	24-28	9' 11"	24-32	12' 8"	24-36
8' 3"	24-33	24-33	24-29	10'	24-33	12' 9"	24-36
8' 4"	24-34	24-34	24-30	10' 1"	24-34	12' 10"	24-36
8' 5"	24-35	24-35	24-31	10' 2"	24-35	12' 11"	24-36
8' 6"	24-36	24-36	24-32	10' 3"	24-36	13'	24-36
8' 7"	24-36	24-36	24-33	10' 4"	24-36	13' 1"	25-36
8' 8"	24-36	24-36	24-34	10' 5"-11' 3"	24-36	13' 2"	26-36
8' 9"	24-36	24-36	24-35	11' 4"	24-36	13' 3"	27-36
8' 10"	24-36	24-36	24-36	11' 5"	24-36	13' 4"	28-36
8' 11"	24-36	24-36	24-36	11' 6"	24-36	13' 5"	29-36
9'	24-36	24-36	24-36	11' 7"	24-36	13' 6"	30-36
9' 1"	24-36	24-36	24-36	11' 8"	25-36	13' 7"	31-36
9' 2"	24-36	25-36	24-36	11' 9"	26-36	13' 8"	32-36
9' 3"	24-36	26-36	24-36	11' 10"	27-36	13' 9"	33-36
9' 4"	24-36	27-36	24-36	11' 11"	28-36	13' 10"	34-36
9' 5"	24-36	28-36	24-36	12'	29-36	13' 11"	35-36
9' 6"	25-36	29-36	25-36			14'	36
9' 7"	26-36	30-36	26-36				
9' 8"	27-36	31-36	27-36				
9' 9"	28-36	32-36	28-36				
9' 10"	29-36	33-36	29-36				
9' 11"	30-36	34-36	30-36				
10'	31-36	35-36	31-36				
10' 1"	32-36	36	32-36				
10' 2"	33-36		33-36				
10' 3"	34-36		34-36				
10' 4"	35-36		35-36				
10' 5"	36		36				

\*D'après une hauteur de cuisinière électrique de 36 po.

Pour une cuisinière à gaz, commencez le tableau à 92 po et soustrayez 2 po à la hauteur d'installation maximale pour chaque bloc.



Trousse de couvercle de conduit pour plafond jusqu'à 12 pi



Trousse de couvercle de conduit pour plafond jusqu'à 14 pi

1' = 0.3 m, 1\" = 2.5 cm

# Préparation de l'installation

## PLANIFICATION PRÉALABLE

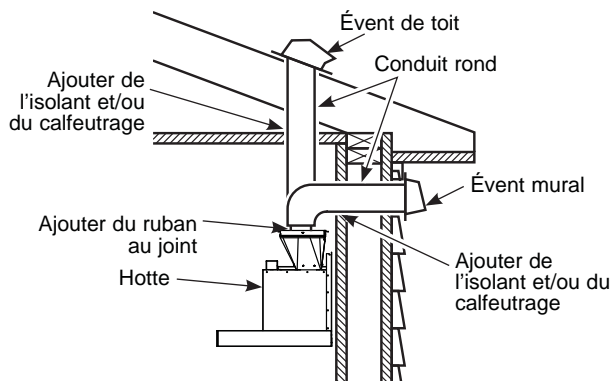
### Planification de l'installation des conduits

- Cette hotte est conçue pour une ventilation verticale à travers le plafond. Utilisez un conduit rond de 8 po. Utilisez des coudes achetés localement pour ventiler horizontalement à travers le mur arrière.
- Utilisez des conduits métalliques seulement.
- Déterminez la position exacte de la hotte.
- Planifiez la trajectoire de l'évacuation vers l'extérieur. Pour maximiser le rendement de la ventilation :
  1. Minimisez la longueur de la canalisation et le nombre de pièces de transition et de coudes.
  2. Maintenez une taille de conduits uniforme.
  3. Scellez tous les joints avec du ruban à conduits pour empêcher les fuites.

**REMARQUE :** Une canalisation de conduits flexibles n'est pas recommandée. Une canalisation flexible crée une contre-pression et de la turbulence qui réduit sensiblement le rendement.

- Longueur de canalisation équivalent maximale pour 100 pi.cu./min : 150 pieds pour les hottes de ventilation.
- Installez un évent de toit ou mural avec registre sur l'ouverture extérieure. Achetez à l'avance un évent de toit ou mural ainsi que toute longueur de conduits et de pièces de transition.
- S'il y a lieu, installez un système d'air d'appoint en conformité avec les prescriptions du code du bâtiment local. Utilisez la trousse d'air d'appoint JXMUA8.

La canalisation de ventilation peut se terminer à travers le toit ou le mur. Pour ventiler à travers un mur, un coude de 90° doit être installé immédiatement au-dessus de la hotte.



## PLANIFICATION DE L'INSTALLATION EN RECYCLAGE DE L'AIR

Un conduit de recyclage de l'air (inclus) et un filtre à charbon (inclus) sont nécessaires pour une installation en recyclage de l'air.

### Planification de l'alimentation électrique

L'emplacement du raccordement électrique est indiqué dans la section Installation du support de la hotte.

## ALIMENTATION ÉLECTRIQUE

**IMPORTANT – (Veuillez lire attentivement)**

### ⚠ AVERTISSEMENT

POUR VOTRE SÉCURITÉ, CET APPAREIL DOIT ÊTRE CORRECTEMENT MIS À LA TERRE.

Enlevez le fusible domestique ou ouvrez le disjoncteur avant de commencer l'installation.

N'utilisez pas un cordon de rallonge ou une fiche d'adaptation avec cet appareil. Respectez les codes d'électricité nationaux ou tout code ou décret local en vigueur.

### Alimentation électrique

Un courant de 120 V, 60 Hz doit alimenter la hotte et celle-ci doit être branchée à un circuit de dérivation correctement mis à la terre, protégé par un disjoncteur de 15 ou 20 ampères ou un fusible à retardement.

- Le câblage doit comporter 2 fils avec terre.
- Si l'alimentation électrique ne correspond pas aux caractéristiques ci-dessus, communiquez avec un électricien agréé avant de procéder.
- Acheminez le câblage domestique aussi près de l'installation que possible, dans le plafond ou le mur.
- Connectez le câblage de la hotte au câblage domestique en conformité avec les codes locaux.

### Instructions de mise à la terre

Le fil de mise à la terre doit être connecté à du métal qui conduit à la terre, à un système de câblage permanent, ou à une borne de terre ou un conducteur sur la hotte.

### ⚠ AVERTISSEMENT

Une connexion incorrecte du conducteur de mise à la terre peut poser un risque de choc électrique. Consultez un électricien compétent ou un technicien en réparation si vous doutez que l'appareil soit correctement mis à la terre.

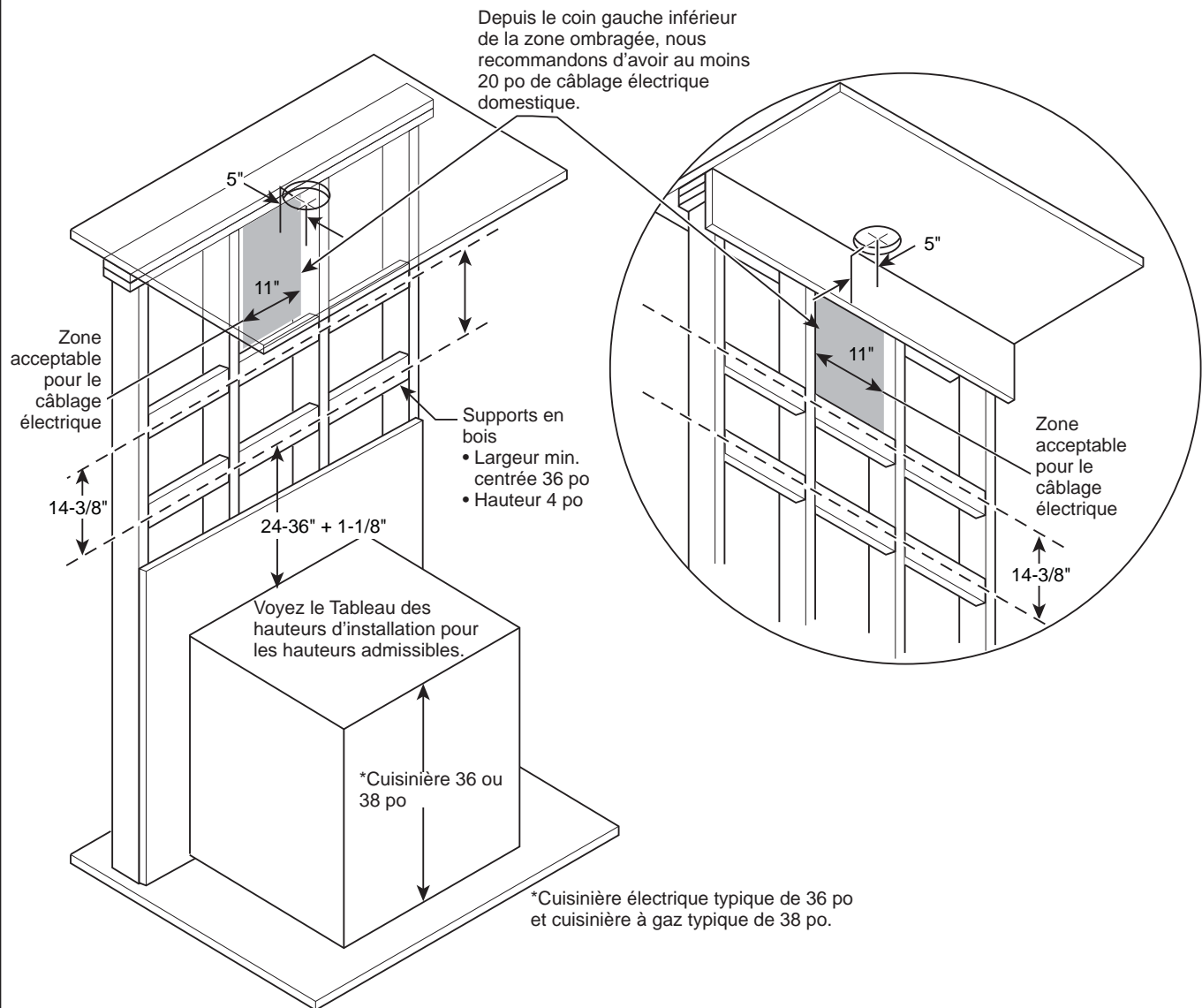
1" = 2.5 cm

# Installation

## NOUVELLE CONSTRUCTION, AVANT-PROJET OU REMANIEMENT

**REMARQUE :** Pour une construction existante, sautez à la section Installation du support de hotte.

- Installez des supports en bois horizontaux entre 2 montants muraux et ils doivent s'aligner sur les hauteurs de montage vertical indiquées sur l'illustration.
- Les supports horizontaux doivent être à égalité avec les montants latéraux de la pièce.
- Pour une installation avec conduit, le trou du conduit dans le plafond doit être centré à 5 po du mur arrière fini.
- Le support inférieur s'aligne sur le support de montage de la hotte. Cette hauteur est fonction de la hauteur que l'on désire pour la hotte.
- Le support supérieur doit être à égalité avec le plafond.
- Le câblage électrique peut passer à 5 1/2 po à gauche ou à droite (la boîte de jonction est sur la gauche) de la ligne de centre. Il doit rester 7/16 po au-dessus du panneau arrière et 5 po à partir du plafond, reportez-vous à l'illustration de la page suivante.



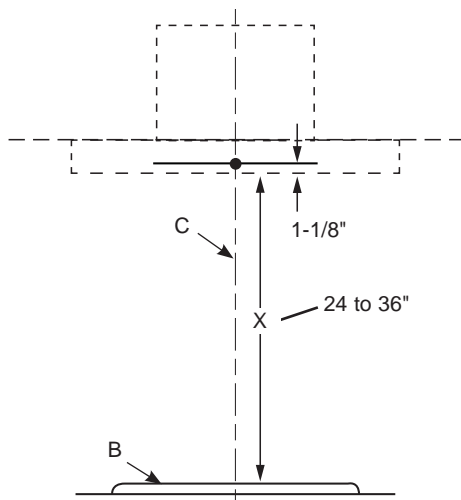
1" = 2.5 cm

# Installation

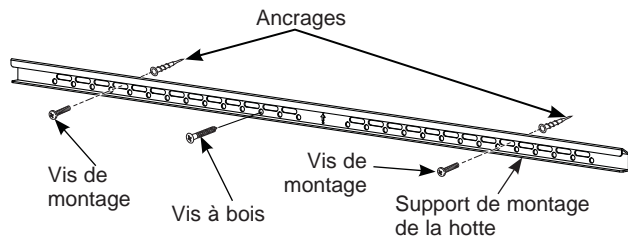
## INSTALLATION DU SUPPORT DE LA HOTTE

### Corps de la hotte

1. Placez un recouvrement de protection sur la surface en dessous de l'emplacement de la hotte afin de protéger l'endroit contre la saleté et/ou les dommages.
2. Déterminez et marquez la ligne de centre (C) sur le mur (tracez une ligne jusqu'au plafond) à l'endroit où la hotte sera installée. Selon la hauteur du plafond, déterminez la distance (entre le 24 po minimum requis et le 36 po maximum recommandé (X)) nécessaire entre la surface de cuisson (B) et le bas de la hotte. Tracez une ligne horizontale à X. Alignez le gabarit d'installation de façon que le bas du gabarit soit centré et de niveau avec la ligne horizontale tracée à la hauteur X.

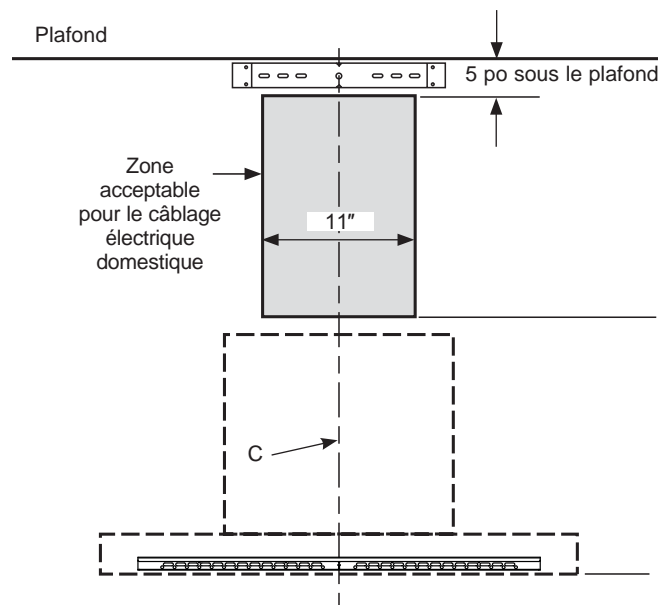


3. Trouvez la position des montants et tracez-les sur le gabarit
4. Placez le support de montage de la hotte (G) sur son contour imprimé sur le gabarit. Marquez l'emplacement d'au moins une vis à bois (L) vis-à-vis un montant. Si un autre montant ne peut être trouvé, marquez les emplacements d'au moins deux autres vis pour des ancrages, une de chaque côté de la vis à bois (L). Retirez le support du mur et installez les ancrages (H). Remplacez le support de montage de la hotte (G) sur le mur et montez-le à l'aide des vis à bois (L) et des vis de montage (D) au besoin. Nous recommandons de pratiquer des trous de guidage dans les montants pour les vis à bois (L).



### Couvercles de conduit et alimentation électrique

1. Placez le support de couvercle de conduit (E) sur le mur de façon que son bord repose de niveau contre le plafond, en vous assurant que les fentes touchent directement au mur. Alignez les encoches centrales du support et la ligne de centre. Marquez l'emplacement des trous de vis plus loin de la ligne de centre si c'est possible. Si l'un des trous de vis s'aligne sur un montant, alors la vis à bois sera utilisée à cet endroit. Pour l'autre trou ou s'il n'y a pas de montants, installez 2 ancrages (H). Placez le support de couvercle de conduit (E) sur le mur et installez les vis à bois (L) et les vis de montage (D) au besoin.
2. Le câblage électrique domestique doit arriver dans la zone ombragée illustrée ci-dessous. Depuis le coin gauche inférieur de la zone ombragée, un minimum de 20 po de câblage électrique est recommandé pour atteindre la boîte de jonction sur la hotte.



1" = 2.5 cm



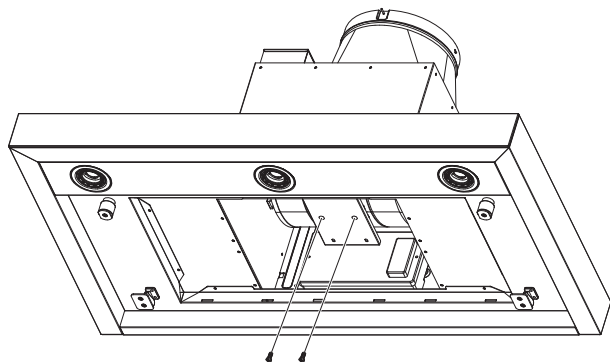
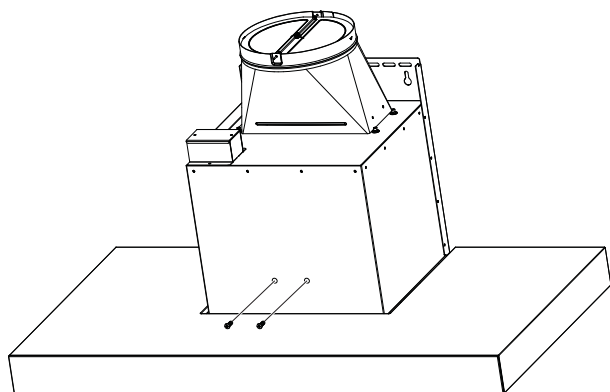
## INSTALLATION DE LA HOTTE

Retirez les filtres à graisse de l'appareil et mettez-les de côté. Les filtres à graisse sont retirés en pressant la poignée sur le devant du filtre. Lors de la remise en place, assurez-vous que les filtres sont correctement situés avec les poignées sur le devant et visibles.

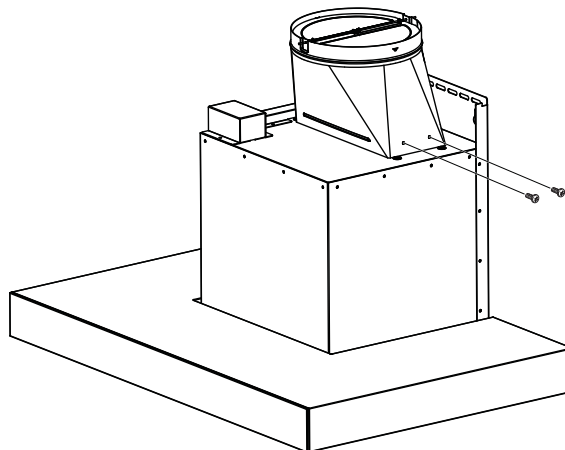


**REMARQUE :** Sur certains modèles, le panneau frontal recouvre les filtres et il doit être tiré vers le bas pour accéder aux filtres.

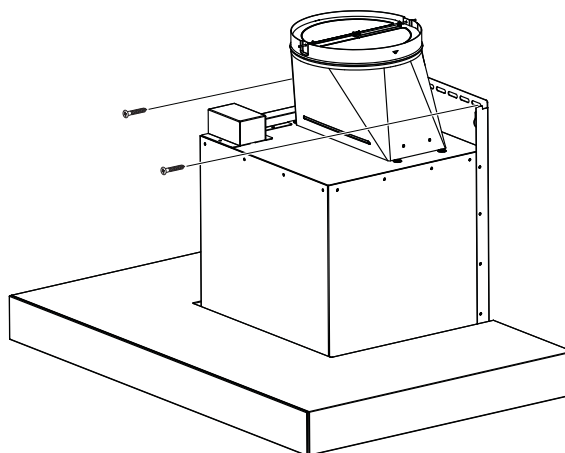
**REMARQUE :** Ce support doit être retiré avant l'installation. Retirez 2 vis avant et 2 vis dans le bas selon l'illustration ci-dessous.



1. Pressez fermement le registre sur le haut de l'ouverture d'évacuation. Assurez-vous que le registre d'ouvre librement. Fixez le registre sur la hotte à l'aide des vis de mécanique (J) fournies.



2. Retirez et jetez proprement l'emballage de protection en plastique de la hotte et des filtres à graisse. Retirez le gabarit du mur.
3. Montez la hotte :
  - Avec la participation de 2 personnes ou plus, soulevez la hotte et placez-la sur son support de montage. Assurez-vous que le support accroche complètement le corps de la hotte.
  - Installez les 2 vis de montage (D) ou les vis à bois (L) au besoin dans les trous désignés sur le panneau arrière.

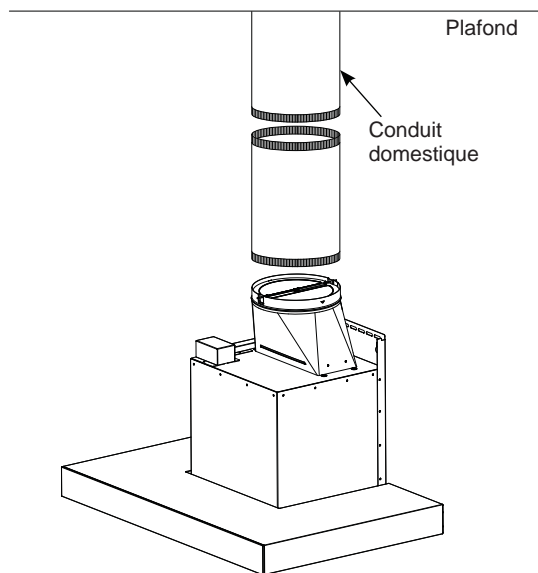


# Installation

## INSTALLATION DE LA HOTTE (suite)

### A Installations ventilées à l'extérieur

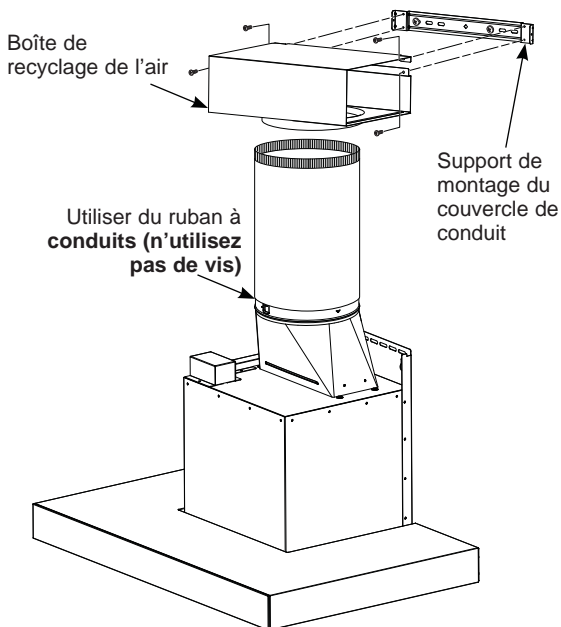
Connectez la conduit sur le registre du corps de la hotte. Scellez toutes les connexions avec du ruban à conduits (n'utilisez pas de vis).



### B Recyclage de l'air (non ventilé à l'extérieur)

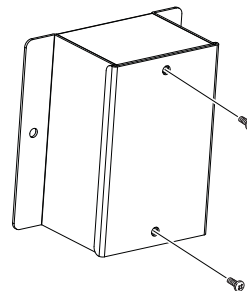
**REMARQUE :** Une boîte de recyclage de l'air, un filtre à charbon et un support sont inclus avec la hotte et sont nécessaires pour une installation à recyclage de l'air.

1. Fixez la boîte de recyclage de l'air sur le conduit au-dessus du support de montage à l'aide de 4 vis de mécanique (J).
2. Connectez le conduit de l'orifice d'évacuation de la hotte sur la boîte de recyclage de l'air. Utilisez du ruban à conduits pour sceller les connexions sur la boîte de recyclage de l'air et l'orifice d'évacuation.

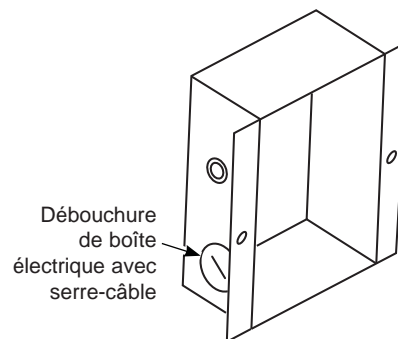


## RACCORDEMENT ÉLECTRIQUE

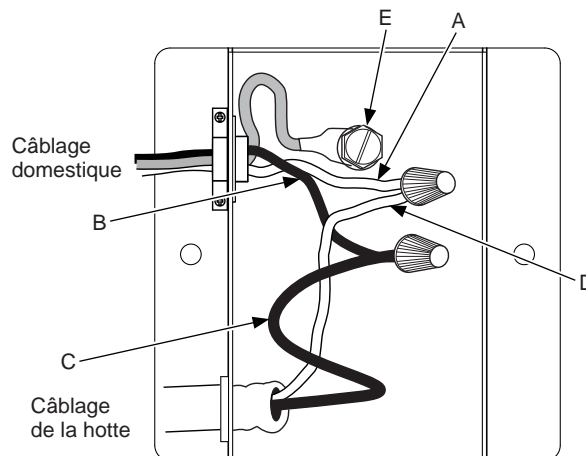
1. Retirez le couvercle de la boîte de jonction.



2. Retirez la débouchure de la boîte électrique.



3. Acheminez le câble d'alimentation électrique à travers le trou et fixez-le avec le serre-câble.
4. Reliez le fil blanc de l'alimentation électrique (A) au fil blanc de la hotte (D) avec un capuchon de connexion. Reliez le fil noir de l'alimentation électrique (B) au fil noir de la hotte (C) avec un capuchon de connexion. Connectez le fil de terre du domicile sous la vis de terre verte (E).



5. Rattachez le couvercle de la boîte de jonction.

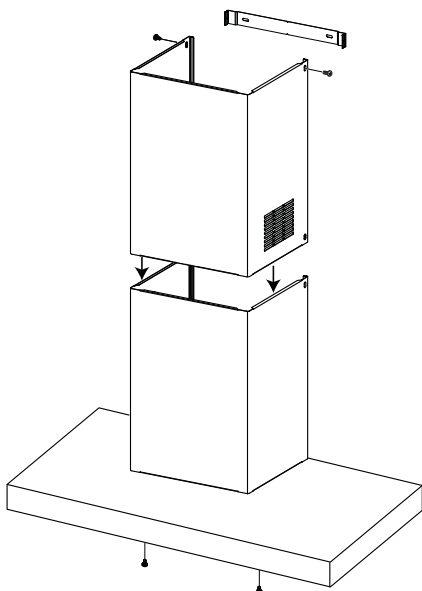
## INSTALLATION DES COUVERCLES DE CONDUIT

1. **Pour une installation canalisée ou en recyclage de l'air :** Retirez la pellicule protectrice des couvercles de conduit. Placez le couvercle de conduit supérieur de façon qu'il glisse vers le bas à l'intérieur du couvercle de conduit inférieur.

**REMARQUE :** Pour le recyclage de l'air, le couvercle de conduit supérieur doit être installé avec les événements d'évacuation sur le dessus vers le plafond.

Selon la distance de superposition entre les couvercles de conduit supérieur et inférieur, le dessus peut être inversé pour cacher les trous de ventilation. Voyez le Tableau des hauteurs d'installation pour les hauteurs admissibles.

Assoyez bien les couvercles de conduit vers le bas afin qu'ils reposent fermement sur le dessus de la hotte. Terminez de fixer le couvercle de conduit inférieur sur le corps de la hotte à l'aide de deux vis de mécanique (J) vissées depuis le haut en dessous de la hotte.



2. Installez le couvercle de conduit supérieur en le soulevant avec soin pour éviter de le rayer, jusqu'à ce qu'il atteigne le plafond. Poussez le couvercle de conduit à égalité contre le mur, puis utilisez deux vis de mécanique (J) pour monter le conduit supérieur sur le support de montage du conduit.
3. Pour une installation à recyclage de l'air, installez les filtres à charbon. Puis réinstallez les filtres à graisse sur la hotte, voyez la section Filtres.
4. Rétablissez l'alimentation électrique. Allumez le ventilateur et l'éclairage. Si la hotte ne fonctionne pas, vérifiez si le disjoncteur s'est déclenché ou si le fusible domestique est grillé. Si la hotte ne fonctionne toujours pas, coupez l'alimentation électrique et vérifiez si les connexions du câblage ont été effectuées correctement.

# Installation

## TECHNOLOGIE DU DISPOSITIF D'AIR D'APPOINT

**Note pour les installateurs et les inspecteurs :** Ce produit est équipé d'un dispositif d'installation simple qui limite les débits maximaux (pi.cu./min) afin de satisfaire certains codes et règlements locaux. Cette méthode d'installation n'est peut-être pas requise pour toutes les installations, veuillez consulter vos codes locaux pour des précisions.

### ⚠ ATTENTION

La hotte doit être déconnectée de l'alimentation électrique principale avant d'exécuter les instructions de conversion énumérées ci-dessous. L'omission de prendre ces précautions peut occasionner des blessures ou des dommages au produit.

**Pour modifier l'appareil (si requis par les codes locaux) :**

#### 390 pi.cu./min ou 290 pi.cu./min

De par sa conception, le débit maximal du ventilateur est supérieure à 400 pi.cu./min. Si vos codes locaux exigent de réduire le débit, modifiez le câblage de la manière décrite ci-dessous :

1. Ouvrez le panneau des filtres et retirez les filtres.
2. Retirez le couvercle du boîtier de la carte de commande.
3. Repérez le faisceau de fils du moteur branché dans la carte de commande.

#### 4. A - A - Pour un maximum de 390 pi.cu./min, l'appareil peut fonctionner avec 4 vitesses (Low, Medium, High, Boost).

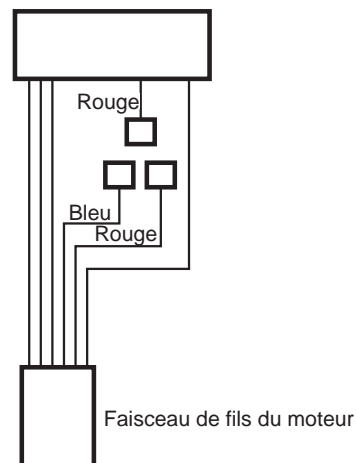
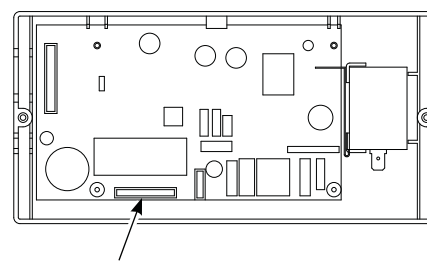
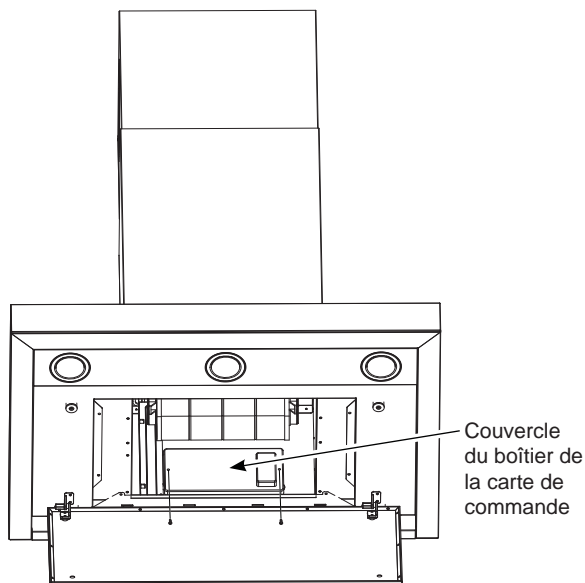
1. Débranchez le connecteur au fil bleu du fil rouge.
2. Connectez les 2 fils rouges ensemble.
3. Coupez le connecteur bleu qui n'est pas utilisé et sertissez l'extrémité si vous le désirez.

#### B - Pour un maximum de 290 pi.cu./min, l'appareil peut fonctionner avec 3 vitesses (Low, Medium, High).

1. Débranchez le connecteur du fil bleu du fil rouge.
2. Coupez le connecteur bleu qui n'est pas utilisé et sertissez l'extrémité si vous le désirez.

5. Rattachez le couvercle du boîtier de la carte de commande et installez les déflecteurs.

**Note pour les inspecteurs :** Pour connaître la configuration dans laquelle ce produit a été installé, vérifiez les connexions de câblage du moteur qui sont décrites ci-dessus.



# Trucs de dépannage ... Avant d'appeler le service à la clientèle

Gagnez du temps et économisez de l'argent! Examinez d'abord les tableaux des pages suivantes, vous pourriez vous éviter un appel de service.

Problème	Cause possible	Que faire?
Le ventilateur ou la lampe ne fonctionnent pas lorsque le bouton est à ON (marche)	Un fusible de la maison est grillé ou le disjoncteur est déclenché.	Remplacez le fusible ou réenclenchez le disjoncteur.
Bruit de circulation d'air fort ou anormal	Installation d'un conduit de diamètre inapproprié.	Cette hotte nécessite un conduit de 8 po pour fonctionner d'une façon optimale. L'utilisation d'un conduit de plus petit diamètre réduira la ventilation. Minimisez la longueur de conduit et le nombre des transitions et des coudes. Les techniciens de service de GE Appliances ne peuvent pas corriger ce problème si l'installation est incorrecte.
Le ventilateur échoue à faire circuler l'air ou la déplace trop lentement et/ou il fait un bruit de circulation d'air fort ou anormal	Obstructions dans le conduit.	Assurez-vous que rien ne bloque la ventilation. Assurez-vous que votre chapeau de mur ou de toit est doté d'une lame ou d'une trappe.
	Il se peut qu'une lame de registre sur le chapeau de mur ou de toit ne s'ouvre pas.	Assurez-vous que le registre pivote librement. Les lames de registre peuvent se retourner et ne plus s'ouvrir pleinement lorsque cela se produit. Placez la lame à sa position d'origine.
	Le filtre à graisse métallique et le filtre à charbon (si présent) peuvent être sales.	Nettoyez le filtre à graisse métallique et le filtre à charbon (si présent). Voyez la section Entretien et nettoyage de la hotte à évacuation.
	Air d'appoint (de renouvellement) insuffisant	Un air d'appoint suffisant est nécessaire pour que les électroménagers de cuisson puissent fonctionner selon les spécifications. Consultez les codes de construction locaux qui peuvent exiger ou fortement recommander l'utilisation d'air d'appoint. Visitez <b>electromenagersge.ca</b> pour les solutions offertes en matière d'air d'appoint.
Lampe qui ne dure pas longtemps	La puissance (watts) de la lampe est trop élevée.	Remplacez par une lampe de puissance appropriée.
Le ventilateur ne cesse d'arrêter et de redémarrer	Le moteur surchauffe probablement et s'éteint de lui-même. Cette condition peut être dommageable pour le moteur.	Assurez-vous que les filtres sont propres. Faites un appel de service si le cycle arrêt-redémarrage se poursuit.
L'éclairage ne fonctionne pas	Le mauvais type d'ampoules a été utilisé. Les ampoules doivent être à intensité variable de type GU10.	Visitez <b>electromenagersge.ca</b> pour des ampoules de rechange.

# Garantie limitée de la hotte de cuisinière ventilée GE Appliances

## Electromenagersge.ca

Tout entretien ou réparation en vertu de la garantie est fourni par nos Centres d'entretien et de réparation de l'usine ou par un technicien autorisé de Customer Care®. Pour fixer un rendez-vous en ligne, consultez notre site [electromenagersge.ca/fr/soutien/demande-de-service](http://electromenagersge.ca/fr/soutien/demande-de-service), ou téléphonez GE Appliances à 800.561.3344. Veuillez avoir vos numéros de série et de modèle à portée de main lors de l'appel.

L'entretien de votre appareil pourrait nécessiter l'utilisation d'un accès aux données embarquées pour le diagnostic. Cela permet au technicien de l'atelier de réparation GE Appliances de diagnostiquer rapidement toute défaillance de votre électroménager et à GE Appliances d'améliorer la qualité de ses produits. Si vous ne souhaitez pas transmettre les données de votre appareil à GE Appliances, veuillez aviser votre technicien de s'en abstenir au moment de la visite de service.

<b>Durant une période de</b>	<b>GE Appliances remplacera</b>
<b>Un an</b> depuis la date d'achat d'origine	<b>Toute pièce</b> du produit de cuisson défectueuse en raison d'un vice de matière ou de main-d'œuvre. Durant cette <b>garantie limitée d'un an</b> , GE Appliances assumera tous les frais de main-d'œuvre et de service à domicile afférents au remplacement de la pièce défectueuse.

### Ce que GE Appliances ne garantit pas :

- L'envoi d'un technicien chez vous pour vous montrer comment utiliser le produit.
- Une installation, une livraison ou un entretien inadéquats.
- Une panne du produit suite à une utilisation abusive ou inadéquate, une modification, un usage autre que celui auquel il a été destiné ou un usage commercial.
- Le remplacement des fusibles de votre résidence ou le réenclenchement des disjoncteurs.
- Les dommages au produit causés par un accident, un incendie, une inondation ou une catastrophe naturelle.
- Les dommages au fini, tels que rouille de surface, ternissement ou petites imperfections qui ne sont pas rapportés dans les 48 heures suivant la livraison.
- Les dommages indirects ou accidentels causés par des défaillances possibles de cet appareil.
- Les dommages survenus après la livraison.
- Le service s'il est impossible d'avoir accès au produit.
- Le service pour réparer ou remplacer les ampoules, à l'exception des lampes DEL.

### EXCLUSION DES GARANTIES IMPLICITES

Votre seul et unique recours est la réparation du produit selon les dispositions de la présente garantie limitée. Toutes garanties implicites, y compris les garanties implicites de qualité marchande et d'adéquation à un usage spécifique, sont limitées à un an ou à la plus courte période permise par la loi.

Cette garantie limitée est offerte à l'acheteur initial et à tout propriétaire subséquent d'un produit acheté pour usage domestique aux États-Unis. Si le produit est situé dans une localité où un réparateur autorisé GE Appliances n'est pas disponible, vous pourriez encourir des frais de déplacement ou devoir acheminer le produit à un réparateur autorisé GE Appliances pour faire réparer l'appareil. En Alaska, la garantie limitée exclut les frais d'expédition et les visites de service à votre domicile. Certains États ou provinces ne permettent pas l'exclusion ou la restriction des dommages accessoires ou indirects. Cette garantie limitée vous accorde des droits particuliers, ces derniers pouvant s'accompagner d'autres droits qui varient d'un État ou d'une province à l'autre. Pour connaître la nature exacte de vos droits, consultez l'organisme de protection du consommateur de votre région, ou encore le bureau du procureur général de l'État.

Au Canada : Cette garantie est offerte à l'acheteur initial, ainsi qu'à tout propriétaire subséquent d'un produit acheté au Canada en vue d'une utilisation domestique au Canada. Si le produit se situe dans une zone où aucun réparateur agréé par GE n'est disponible, vous devrez peut-être assumer les frais de déplacement de celui-ci ou apporter le produit à un atelier de réparation agréé par GE. Si vous avez besoin de pièces de rechange, nous vous recommandons de n'utiliser que des pièces d'origine spécifiées de GE. Ces pièces ont été conçues pour fonctionner avec votre appareil et ont été fabriquées et testées afin de répondre aux spécifications de GE. Dans certains États ou province, il est interdit d'exclure ou de limiter les dommages indirects ou accessoires. Il est alors possible que les limitations ou exclusions ci-dessus ne s'appliquent pas dans votre cas. La présente garantie vous confère des droits juridiques spécifiques. Vous pouvez bénéficier d'autres droits, qui varient d'un État ou d'une province à l'autre. Pour connaître les droits dont vous bénéficiez, communiquez avec le bureau des Relations avec les consommateurs de votre région ou de votre province.

**Garante: GE Appliances, a Haier company**  
Louisville, KY 40225

**Garante en Canada: MC Commercial**  
Burlington, ON, L7R 5B6

**Prolongation de garantie :** Achetez un contrat d'entretien GE Appliances et informez-vous des rabais spéciaux en vigueur pendant toute la durée de votre garantie. Vous pouvez vous le procurer en tout temps sur

[electromenagersge.ca/fr/soutien/achat-d-une-garantie-prolongee](http://electromenagersge.ca/fr/soutien/achat-d-une-garantie-prolongee)

ou en composant le 866.277.9842 durant les heures normales de bureau. Le service après-vente GE Appliances sera toujours disponible après l'expiration de votre garantie.

Agrafez ici votre reçu. Une preuve de l'achat original est requise pour l'accès à l'entretien et aux réparations en vertu de la garantie.

# Accessoires

---

## Vous êtes à la recherche d'autres articles?

GE Appliances propose une variété d'accessoires afin d'améliorer votre expérience de cuisson et d'entretien!

Reportez-vous à la page du Soutien au consommateur pour des renseignements sur l'accessibilité téléphonique et en ligne.

Les produits suivants et d'autres encore sont offerts :

### Pièces

---

Trousse de cordon électrique

---

Trousse de recyclage d'air

---

Filtre à charbon

---

Doublure de hotte

---

Télécommande

---

Trousse de couvercle de conduit pour plafond jusqu'à 12 pi

---

Trousse de couvercle de conduit pour plafond jusqu'à 14 pi

### Articles de nettoyage

---

Lingettes pour acier inoxydable CitruShine™

---

Nettoyant pour électroménagers en inox

---

Nettoyant doux Bar Keepers Friend Soft Cleanser™

---

# Soutien au consommateur

---

## Site Web de GE Appliances

Vous avez une question ou vous avez besoin d'aide pour votre appareil électroménager? Visitez le site Web de GE Appliances 24 heures par jour, tous les jours de l'année! Vous pouvez aussi y trouver d'autres formidables produits GE Appliances et tirer avantage de tous nos services d'assistance en ligne. Aux États-Unis : **GEAppliances.com**  
Au Canada : **electromenagersge.ca**

---

## Enregistrez votre électroménager

Enregistrez votre nouvel appareil en ligne au moment qui vous convient le mieux! L'enregistrement de votre produit dans les délais prescrits permet une meilleure communication et un service rapide, selon les modalités de votre garantie, si besoin est. Vous pouvez également envoyer par courrier la carte d'enregistrement pré-imprimée qui se trouve dans l'emballage de votre appareil.

Aux États-Unis : **GEAppliances.com/register**

Au Canada : **Prodsupport.mabe.ca/crm/Products/ProductRegistration.aspx**

---

## Service de réparation

Un service de réparation expert GE Appliances se trouve à quelques pas de chez vous. Rendez-vous sur notre site et programmez, à votre convenance, une visite de réparation à n'importe quel jour de l'année.

Aux États-Unis : **GEAppliances.com/service** ou composez le 800.432.2737 durant les heures normales de bureau.

Au Canada : **GEAppliances.ca/en/support/service-request** ou composez le 800.561.3344

---

## Prolongation de garantie

Procurez-vous une prolongation de garantie GE Appliances et informez-vous des rabais spéciaux en vigueur pendant la durée de votre garantie. Vous pouvez vous la procurer en ligne en tout temps. Les services GE Appliances seront toujours disponibles après l'expiration de la garantie. Aux États-Unis : **GEAppliances.com/extended-warranty** ou composez le 800.626.2224 durant les heures normales de bureau.

Au Canada : **electromenagersge.ca/fr/soutien/achat-d-une-garantie-prolongee** ou composez le 866.277.9842

---

## Connectivité à distance

Pour de l'assistance concernant la connectivité au réseau sans fil (pour les modèles équipés de cette fonction), visitez notre site Web au **GEAppliances.com/connect** ou composez le 800.220.6899 aux États-Unis.

---

## Pièces et accessoires

Les personnes ayant les compétences requises pour réparer elles-mêmes leurs appareils peuvent recevoir directement à la maison des pièces ou accessoires (les cartes VISA, MasterCard et Discover sont acceptées). Commandez en ligne 24 heures par jour.

Aux États-Unis : **GEApplianceparts.com** ou par téléphone au 877.959.8688 durant les heures normales de bureau.

**Les instructions contenues dans le présent manuel comportent des procédures que tout utilisateur peut effectuer. Les autres types de réparation doivent généralement être confiés à un technicien qualifié. Utilisez de prudence : une réparation ou un entretien mal effectués peuvent rendre l'utilisation de l'appareil dangereuse.**

Les consommateurs au Canada doivent consulter les pages jaunes pour connaître le centre de service Mabe le plus proche, visiter notre site Web au **Electromenagersge.ca/fr/produits/filtres-et-accessoires** ou composer le 1.800.661.1616.

---

## Communiquez avec nous

Si vous n'êtes pas satisfait du service après-vente de GE Appliances, communiquez avec nous depuis notre site Web en fournissant tous les détails dont votre numéro de téléphone, ou écrivez à :

Aux États-Unis : General Manager, Customer Relations | GE Appliances, Appliance Park | Louisville, KY 40225  
**GEAppliances.com/contact**

Au Canada : Director, Consumer Relations, Mabe Canada Inc. | Suite 310, 1 Factory Lane | Moncton, N.B. E1C 9M3  
**Electromenagersge.ca/fr/contactez-nous**

---





# CAMPANAS DE PARED

**INFORMACIÓN DE SEGURIDAD** ....3

**USO DE LA CAMPANA**

Controles.....5

Chef Connect .....6

Conexión Wi-Fi.....6

**CUIDADO Y LIMPIEZA**

Filtros.....7

Superficies.....8

Lámparas.....8

**INSTRUCCIONES DE INSTALACIÓN** .....9

**CONSEJOS PARA LA SOLUCIÓN DE PROBLEMAS** .....21

**GARANTÍA LIMITADA** .....22

**ACCESORIOS** .....23

**SOPORTE PARA EL CONSUMIDOR**.....24

## MANUAL DEL PROPIETARIO E INSTALACIÓN

UVW9301  
UVW9361

Escriba los números de modelo y de serie aquí:

Nº de Modelo \_\_\_\_\_

Nº de Serie \_\_\_\_\_

Los puede encontrar en una etiqueta en la pared interna de la campana.

## **GRACIAS POR HACER QUE GE APPLIANCES SEA PARTE DE SU HOGAR.**

---

Ya sea que haya crecido usando GE Appliances, o que ésta es su primera vez, nos complace tenerlo en la familia.

Sentimos orgullo por el nivel de arte, innovación y diseño de cada uno de los electrodomésticos de GE Appliances, y creemos que usted también. Entre otras cosas, el registro de su electrodoméstico asegura que podamos entregarle información importante del producto y detalles de la garantía cuando los necesite.

Registre su electrodoméstico GE ahora a través de Internet. Sitios Web y números telefónicos útiles están disponibles en la sección de Soporte para el Consumidor de este Manual del Propietario.

También puede enviar una carta en la tarjeta de inscripción preimpresa que se incluye con el material embalado.



**GE APPLIANCES**

# INFORMACIÓN IMPORTANTE DE SEGURIDAD

## LEA TODAS LAS INSTRUCCIONES ANTES DE USAR

**⚠ADVERTENCIA** PARA REDUCIR EL RIESGO DE INCENDIO, DESCARGA ELÉCTRICA O LESIONES A PERSONAS, CUMPLA CON LOS SIGUIENTES PUNTOS:

- A. Utilice esta unidad sólo de la manera concebida por el fabricante. Si tiene alguna pregunta, comuníquese con el fabricante.
- B. Antes de realizar reparaciones o limpiar la unidad, desconecte la energía del panel de servicio y bloquee los medios de desconexión para evitar el accionamiento de la energía de manera accidental. Cuando los medios de desconexión de servicio no pueden bloquearse, coloque sobre el panel de servicio un dispositivo de advertencia bien visible, como una etiqueta.
- C. No utilice esta unidad con ningún dispositivo de control de velocidad de estado sólido.
- D. Esta unidad debe estar conectada a tierra.

**⚠PRECAUCIÓN** SÓLO PARA USO DE VENTILACIÓN GENERAL. NO LO UTILICE PARA ELIMINAR MATERIALES Y VAPORES PELIGROSOS O EXPLOSIVOS.

**⚠PRECAUCIÓN** PARA REDUCIR EL RIESGO DE INCENDIO Y PARA ELIMINAR EL AIRE DE ESCAPE CORRECTAMENTE, ASEGÚRESE DE DIRIGIR EL AIRE DEL CONDUCTO HACIA EL EXTERIOR. NO VENTILE EL AIRE DE ESCAPE EN ESPACIOS DENTRO DE PAREDES O CIELORRASOS O EN ÁTICOS, HUECOS SANITARIOS O GARAJES.

**⚠ADVERTENCIA** PARA REDUCIR EL RIESGO DE LESIONES A PERSONAS EN CASO DE UN INCENDIO DE GRASA SOBRE UNA ESTUFA, CUMPLA CON LOS SIGUIENTES PUNTOS\*:

- A. APAGUE LAS LLAMAS con una tapa que ajuste bien, una plancha para galletas o una bandeja de metal, y luego apague el quemador. TENGA MUCHO CUIDADO A FIN DE EVITAR QUEMADURAS. Si las llamas no se apagan de inmediato, SALGA DE LA VIVIENDA Y LLAME AL DEPARTAMENTO DE BOMBEROS.
- B. NUNCA LEVANTE UNA SARTÉN EN LLAMAS—Usted puede quemarse.
- C. NO UTILICE AGUA, incluyendo repasadores o toallas húmedos—se provocará una violenta explosión de vapor.
- D. Utilice un extintor SÓLO si:
  - 1. Usted sabe que cuenta con un extintor Clase ABC y ya sabe cómo utilizarlo.
  - 2. El incendio es pequeño y se contuvo en el área donde comenzó.
  - 3. Se está llamando al departamento de bomberos.
  - 4. Usted puede combatir el incendio con su espalda dirigida hacia una salida.

\*Basado en "[Kitchen Fire Safety](#)" publicado por NFPA.

## LEA Y GUARDE ESTAS INSTRUCCIONES

# INFORMACIÓN IMPORTANTE DE SEGURIDAD LEA TODAS LAS INSTRUCCIONES ANTES DE USAR

## **⚠️ ADVERTENCIA** PARA REDUCIR EL RIESGO DE UN INCENDIO DE GRASA SOBRE UNA ESTUFA:

- A. Nunca deje unidades de superficie desatendidas en configuraciones de calor elevadas. Los alimentos que hierven y se derraman provocan humo y derrames grasos que pueden prenderse fuego. Caliente los aceites lentamente en configuraciones bajas o medias.
- B. Siempre encienda el sistema de ventilación cuando cocine con configuraciones de calor elevadas o cuando flambee alimentos (por ej., Crepes Suzette, cerezas Jubilee, carne flambeada a la pimienta en grano).
- C. Limpie los ventiladores con frecuencia. No debe permitirse la acumulación de grasa en el ventilador o en el filtro.
- D. Utilice el tamaño de recipiente adecuado. Siempre utilice recipientes de cocción apropiados para el tamaño del elemento de superficie.

## **⚠️ ADVERTENCIA** A FIN DE REDUCIR EL RIESGO DE INCENDIOS, DESCARGAS ELÉCTRICAS O LESIONES PERSONALES, CUMPLA CON LO SIGUIENTE:

- A. El trabajo de instalación y el cableado eléctrico deben ser realizados por una persona(s) calificada de acuerdo con todos los códigos y estándares aplicables, incluyendo construcciones resistentes al fuego.
- B. Es necesario contar con suficiente cantidad de aire para una combustión y salida de gases adecuadas a través del conducto (chimenea) del equipo de consumo de combustible, a fin de evitar ráfagas de aire. Siga las pautas del fabricante del equipo de calefacción y los estándares de seguridad, tales como aquellos publicados por la Asociación Nacional de Protección contra Incendios (National Fire Protection Association, NFPA), la Sociedad Estadounidense para la Calefacción (American Society for Heating), los Ingenieros de Refrigeración y Acondicionadores de Aire (Refrigeration and Air Conditioning Engineers, ASHRAE) y las autoridades de los códigos locales.

- C. Al cortar o perforar una pared o un cielorraso, no dañe el cableado eléctrico y de otros servicios ocultos.
- D. Los ventiladores con conducto siempre deben contar con ventilación hacia el exterior.
- E. Cuando corresponda, instale un sistema de reposición (reemplazo) de aire de acuerdo con los requisitos del código local de construcción. Para acceder a soluciones relacionadas con la reposición de aire, visite **GEAppliances.com**.
- F. Desconecte el disyuntor de habitaciones adyacentes mientras esté trabajando.

## **⚠️ ADVERTENCIA** A FIN DE REDUCIR EL RIESGO DE INCENDIOS, USE SÓLO CONDUCTOS DE METAL.

- No intente reparar o reemplazar ninguna parte de la cocina, a menos que esto se recomiende específicamente en este manual. Cualquier otra reparación deberá ser realizada por un técnico calificado.

## Cómo Retirar la Película Protectora de Envío y la Cinta de Embalaje

Con cuidado tome un extremo de la película protectora de envío con los dedos y lentamente retire la misma de la superficie del electrodoméstico. No utilice ningún producto filoso para retirar la película. Retire toda la película antes de usar el electrodoméstico por primera vez.

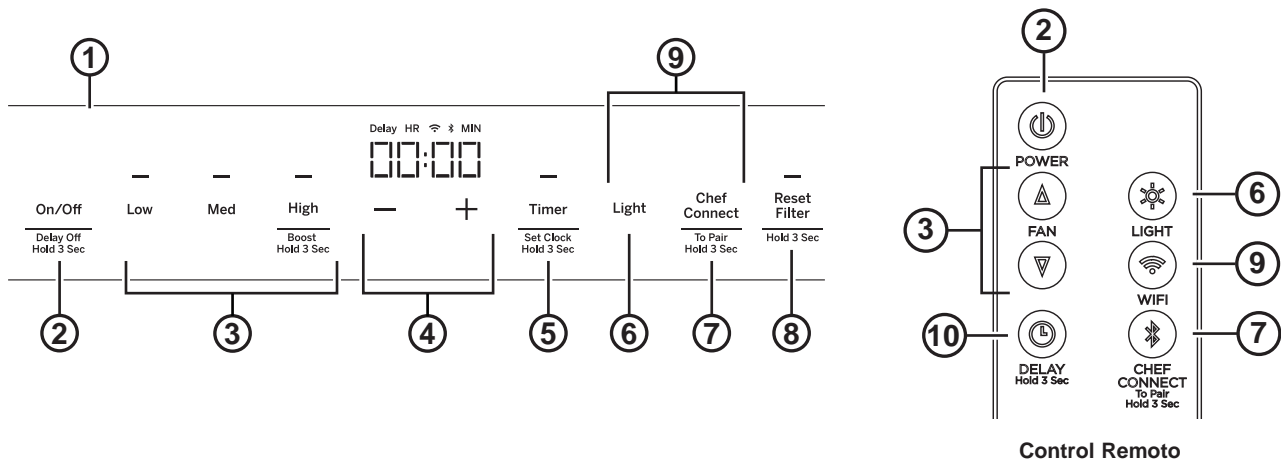
Para asegurar que no haya daños sobre el acabado del producto, la forma más segura de retirar el adhesivo de la cinta

de embalaje en electrodomésticos nuevos es aplicando un detergente líquido hogareño para lavar platos. Aplique con una tela suave y deje que se seque.

**NOTA:** El adhesivo deberá ser eliminado de todas las partes. No se puede retirar si se hornea con éste dentro.

**NOTA:** Para más instrucciones/ sugerencias sobre la limpieza, por favor consulte la sección de Cuidado y Limpieza.

# LEA Y GUARDE ESTAS INSTRUCCIONES



## 1. Panel de Control de la Campana

**Extractora:** El panel de control está ubicado en la parte frontal de la base de la campana del extractor. La posición y función de cada tecla de control figura a continuación.

- On/Off (Encendido/ Apagado):** Tecla On/Off (Encendido/ Apagado) para el ventilador y para iluminar la pantalla. El ventilador puede ser operado presionando cualquiera de las teclas de configuración del ventilador. Mantenga presionada la tecla **On/Off (Encendido/ Apagado)** durante 3 segundos para activar la función Delay Off (Retraso Apagado), el cual apaga de forma automática el ventilador durante 15 minutos.
- Configuración del Ventilador:** Control de velocidad del ventilador. Presione la tecla **Low (Baja)** para configurar una velocidad BAJA. **Med (Media)** para una velocidad MEDIA y **High (Alta)** para una velocidad ALTA. Mantenga presionada la tecla **High (Alta)** durante 3 segundos para activar la velocidad del BOOST (Aumentada), la cual funcionará durante 10 minutos. En la función Remote (Remoto), presione **▲ (Arriba)** para incrementar la velocidad del ventilador, y **▼ (Abajo)** para reducir la velocidad del ventilador, incluyendo Boost (Aumentado).
- Más y Menos:** Las teclas más (+) y menos (-) controlan el tiempo del reloj y el temporizador. Para agregar tiempo, presione la tecla +. Para restar tiempo, presione la tecla -.
- Timer (Temporizador):** Configura un tiempo para cocinar o configura el reloj. Para iniciar el temporizador, presione la tecla **Timer (Temporizador)** y el reloj mostrará "HR" y "MIN". Presione + o - para agregar o restar tiempo. Presione la tecla **Timer (Temporizador)** nuevamente para iniciar la cuenta regresiva. Para cancelar el temporizador, presione la tecla **Timer (Temporizador)** nuevamente. Mantenga presionada la tecla **Timer (Temporizador)** durante 3 segundos para configurar el reloj. Presione la tecla + o - para configurar la hora. Presione la tecla **Timer (Temporizador)** nuevamente para configurar los minutos. Presione la tecla **Timer (Temporizador)** nuevamente para bloquear el tiempo. El reloj se sincronizará una vez que la unidad se encuentre conectada al Wi-Fi.

- Light (Luz):** Controla las luces. Presione la tecla **Light (Luz)** para encender las luces completamente. Presione la tecla **Light (Luz)** nuevamente y las luces se atenuarán. Presione la tecla **Light (Luz)** una tercera vez para apagar las luces.
- Chef Connect:** Mantenga presionada la tecla **Chef Connect** durante 3 segundos para activar el Bluetooth®. Ésta es una función de emparejamiento de Bluetooth® para utilizar con otros productos de uso compatible con Chef Connect en una superficie de cocción o cocina. Una vez emparejado el dispositivo, la luz y el ventilador se encenderán en las Configuraciones Sincronizadas por Omisión, al recibir una instrucción de la cocina o de la superficie de cocción. Permanecerá en ON (Encendida) en dicha configuración hasta que el usuario la cambie. Para más detalles, consulte la sección de Chef Connect.
- Reset Filter (Reinicio del Filtro):** El indicador LED rojo que se encuentra sobre la tecla **Reset Filter (Reinicio del Filtro)** se enciende como recordatorio de que es necesario cambiar/ limpiar el filtro. Mantenga presionada la tecla **Reset Filter (Reinicio del Filtro)** durante 3 segundos para apagar la misma. Presione la tecla Reset Filter (Reinicio del Filtro) nuevamente para comenzar a recalcular el tiempo. Mientras el indicador le recuerda al usuario que es necesario cambiar/ limpiar los filtros, los mismos deberán ser limpiados regularmente. Por favor, consulte la sección de Filtros.
- Wi-Fi:** Wi-Fi Mantenga presionada las teclas **Light (Luz)** y **Chef Connect** durante tres segundos para activar el modo Wi-Fi Connect. El símbolo de Wi-Fi que se encuentra sobre el reloj parpadea durante 3 segundos y luego queda fijo. Para más detalles, consulte la sección de Wi-Fi. En la función Remote (Remoto), presione **Wi-Fi** para pasar a esta función.
- Delay Off (Retraso Apagado) (Sólo Remoto):** Mantenga presionada la tecla **Delay Off (Retraso Apagado)** para pasar a esta función.

# Chef Connect

## Conexión de Bluetooth® al Funcionamiento de Chef Connect

### Para emparejar con otro dispositivo:

A fin de iniciar el proceso de emparejamiento, mantenga presionado el botón **Chef Connect** durante 3 segundos. La luz de fondo de todos los íconos se iluminará hasta que la campana esté emparejada con la cocina u otro dispositivo. Si el emparejamiento es realizado con éxito, el símbolo de Bluetooth® que se encuentra sobre el reloj se encenderá y quedará fijo.

Se desactivará luego de 2 minutos si el emparejamiento no es completado. Luego de esto, la secuencia de emparejamiento deberá ser reiniciada.

### Para cancelar el emparejamiento:

Para cancelar el emparejamiento, mantenga presionado el botón **Chef Connect** durante 3 segundos y luego apague la campana.

### Configuraciones de Sincronización por Omisión:

La configuración por omisión de fábrica de la luz será la más brillante.

La configuración de fábrica por omisión para la sincronización del ventilador estará en OFF (Apagada).

El usuario podrá modificar las Configuraciones de Sincronización por Omisión manteniendo presionado el botón **Low (Baja)** durante 3 segundos. Esto permitirá ingresar a Default Settings Mode (Modo de Configuraciones por Omisión). Una vez en este modo, las luces de fondo de todos los botones parpadearán encendiéndose y apagándose de forma indefinida, y el ventilador y la luz pasarán a la Configuración de Sincronización por Omisión actual, de modo que el usuario sepa cuál es el valor por omisión actual. En este momento, configure la luz y el ventilador en los niveles por omisión deseados. Una vez que el usuario se encuentre satisfecho con la selección, mantenga presionado el botón **Off (Apagado)** durante 3 segundos. Esto hará que se abandone este modo. En este momento, las luces de fondo dejarán de parpadear y el estado del ventilador y de la luz volverán a cambiar a su estado anterior, antes de entrar en Default Settings Mode (Modo de Configuraciones por Omisión).

## Conexión Wi-Fi

### Conecte su campana con Conexión Habilitada de Wi-Fi (en algunos modelos)

Su campana de GE Appliances está diseñado para brindarle una comunicación recíproca entre su electrodoméstico y el dispositivo inteligente. Al usar las funciones de la conexión Wi-Fi de GE Appliances, usted podrá controlar funciones esenciales de su campana tales como las configuraciones de velocidad del ventilador, función de la luz, función del temporizador/ reloj, retraso apagado y reinicio del filtro utilizando su teléfono inteligente o tableta\*.

#### Qué necesitará

Su campana de GE Appliances utiliza su red de Wi-Fi hogareña existente para realizar la comunicación entre el electrodoméstico y su dispositivo inteligente. A fin de configurar su campana de GE Appliances, usted necesitará reunir cierta información:

1. Cada campana de GE Appliances cuenta con una etiqueta informativa del electrodoméstico conectado, que incluye un Nombre y Contraseña de Red del Electrodoméstico. Estos son los dos detalles importantes que necesitará para conectar el electrodoméstico. La etiqueta está ubicada al costado de la unidad, detrás de los filtros.

Connected Appliance Information	
FCC ID: ZKJ-WCATA005	Network: *****
IC: 10229A-WCATA001	Password: *****
MAC ID: *****	

Ejemplo de Etiqueta

2. Su teléfono inteligente o tableta deben estar preparados con la capacidad de acceder a Internet y descargar aplicaciones.
3. Usted deberá conocer la contraseña del enrutador Wi-Fi de su hogar. Tenga esta contraseña a mano al configurar el campana de GE Appliances.

#### Conexión de su campana de GE Appliances

1. A través de su teléfono inteligente o tableta, visite [GEAppliances.com/connect](http://GEAppliances.com/connect) para aprender más sobre las funciones del electrodoméstico conectado y para descargar la aplicación correspondiente.
2. Siga las instrucciones en pantalla de la aplicación para conectar su campana de GE Appliances.
3. Una vez que el proceso se haya completado, la luz de conexión ubicada en la pantalla de su campana GE Appliances, permanecerá en sólido y la aplicación confirmará que usted está conectado.
4. Si la luz de conexión no se enciende o está titilando, siga las instrucciones en la aplicación para volver a realizar la conexión. Si continúan los problemas, comuníquese al 800.220.6899 y solicite asistencia en relación a la conectividad inalámbrica del campana.

Para conectar dispositivos inteligentes adicionales, repita los pasos 1 y 2.

Observe que todos los cambios o modificaciones al dispositivo de acceso remoto instalado en este campana que no están expresamente aprobados por el fabricante podrían anular la autoridad del usuario para operar el equipamiento.

\* Se requiere el uso de dispositivos y de una red Wi-Fi hogareña que sean compatibles con Apple o Android.

# Filtros

Asegúrese de que la energía eléctrica esté apagada y que todas las superficies estén frías antes de limpiar o arreglar cualquier pieza de la campana de ventilación.

## Filtro de grasa metálico

Los filtros metálicos atrapan la grasa durante la cocción.

Filtro debe estar SIEMPRE en su lugar cuando la campana esté en funcionamiento. Los filtros de grasa son de uso seguro en lavavajillas y deberán ser limpiados cada mes, dependiendo del uso de la campana.

### Para quitar:

Abra el panel de la tapa del filtro y desconecte el bloqueo del filtro para liberar este último.

### Para volver a colocar:

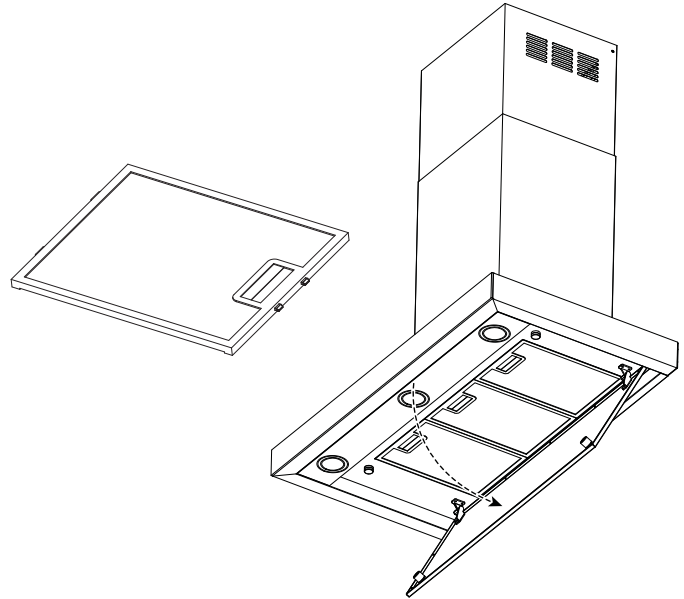
Calce las lengüetas en la parte trasera del filtro, en las ranuras de la parte trasera de la abertura del filtro. Levante el lado frontal del filtro y presione de forma suave hasta que el filtro quede bloqueado en su posición. Asegúrese de que el bloqueo del filtro esté en la posición cerrada para asegurar el filtro.

**NOTA:** El panel frontal cubre los filtros y deberá ser presionado hacia arriba y luego empujado hacia abajo para acceder a los filtros.

### Para limpiar:

El filtro, utilice agua jabonosa caliente y enjuague con agua limpia o lávelo en el lavavajillas. No utilice productos de limpieza abrasivos.

**NOTA:** Cierta descoloración del filtro podrá producirse en el lavavajillas.



## Filtro de carbón (Sólo Para Instalación con Recirculación)

Si el modelo no tiene ventilación hacia afuera, el aire será recirculado a través de un filtro de carbón descartable que ayude a retirar el humo y los olores.

**NOTA:** NO enjuague o coloque el filtro de carbón en el lavavajillas automático.

**El filtro de carbón está incluido con la unidad. El mismo no puede ser limpiado; deberá ser reemplazado cuando el indicador LED del Filtro de Reinicio se encienda. Se recomienda que el filtro de carbón sea reemplazado cada entre 6 meses, o si se encuentra notoriamente sucio o descolorido.**

### Solicite el filtro de carbón UXCF91

Para consultar sobre la compra de filtros de carbón de repuesto o para encontrar la ubicación del distribuidor más cercano a su domicilio, llame a nuestro número gratuito:

**Centro nacional de piezas 800.626.2002**

**En Canadá: GEAppliances.ca o llame al 800.661.1616**

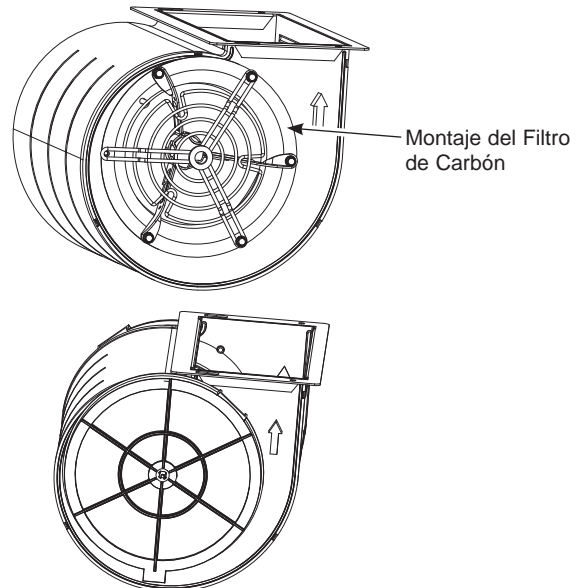
### Para su instalación:

1. Retire los filtros metálicos – consulte la sección del filtro de grasa metálico.
2. Instale los montajes del filtro de carbón sobre cada lado del motor, usando tres tornillos por lado.
3. Inserte la lengüeta que se encuentra en el filtro de carbón dentro de la ranura triangular del montaje.
4. Enganche el filtro de carbón hasta que quede bloqueado.

5. Repita esto con el segundo filtro del otro lado del motor.
6. Reemplace los filtros metálicos – Consulte la sección del Filtro de Grasa Metálico.

### Para su retiro:

1. Retire los filtros metálicos – consulte la sección del filtro de grasa metálico.
2. Desenganche el filtro de carbón presionando el sujetador para liberarlo.
3. Con cuidado retire el filtro de carbón de la lengüeta.



# Superficies

## Superficies de acero inoxidable (en algunos modelos)

No utilice almohadillas de acero porque rayan la superficie.

Para limpiar la superficie de acero inoxidable, utilice agua tibia jabonosa o un limpiador o lustrador de acero inoxidable. Siempre limpie la superficie en dirección de la veta. Siga las instrucciones del producto para limpiar la superficie de acero inoxidable. Los limpiadores con ácido oxálico tales como **Bar Keepers Friend Soft Cleanser™** eliminarán el óxido sobre la superficie, deslustres y pequeñas manchas. Para recibir un cupón para una muestra de **Bar Keepers Friend Soft Cleanser™**, ingrese al siguiente link o escanee el Código QR.

[www.barkeepersfriend.com/ge](http://www.barkeepersfriend.com/ge)



Use sólo un limpiador líquido libre de material abrasivo y frote en la dirección de las líneas del cepillo con una esponja suave y húmeda.

Para consultar sobre la compra de limpiadores o lustradores de aparatos de acero inoxidable, o para encontrar la ubicación del distribuidor más cercano, llame a nuestro número gratuito:

**Centro nacional de piezas**  
800.626.2002

**GEApplianceParts.com**

En Canadá: **GEAppliances.ca** o llame al 800.661.1616

## Superficies Pintadas y de Color Negro Inoxidable (en algunos modelos)

No use virutas de acero u otros limpiadores abrasivos; estos rayarán la superficie.

De forma frecuente, limpie las superficies sucias de grasa. Para limpiar la superficie de la campana, use una tela caliente y húmeda con un detergente suave adecuado para superficies pintadas. Se puede agregar aproximadamente una cucharada sopera de amoníaco al agua. Use una tela limpia, caliente y húmeda para eliminar el jabón. Seque con una tela limpia y seca.

**NOTA:** Al realizar la limpieza, tenga cuidado de no tener contacto con los filtros y otras superficies no esmaltadas.

### ⚠ PRECAUCIÓN

Al limpiar las superficies de la campana, asegúrese de no tocar la lámpara con las manos húmedas o con una tela. Una lámpara tibia o caliente se puede romper si es tocada con una superficie húmeda. Siempre espere a que la lámpara se enfríe completamente antes de hacer la limpieza alrededor de la misma.

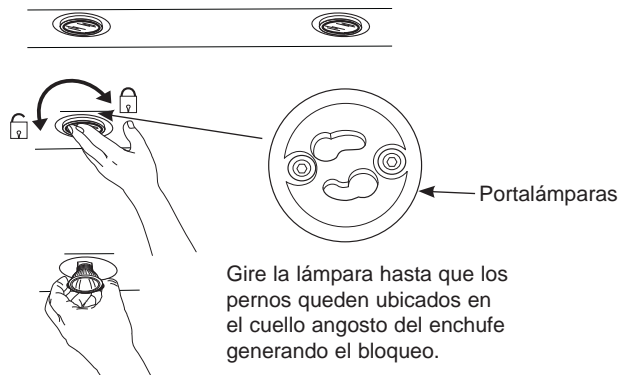
# Lámparas

### ⚠ PRECAUCIÓN

Espera a que las lámparas se enfríen antes de tocar las mismas.

1. Antes de intentar reemplazar una lámpara, asegúrese de que su interruptor esté apagado.
2. Gire la lámpara en dirección contraria a las agujas del reloj para desbloquear y extraer la misma. Colocarse guantes de látex puede brindar un mejor agarre.
3. Reemplace por una lámpara nueva del mismo tipo, asegurándose de que las clavijas queden correctamente insertadas en las fichas del portalámparas y gire en dirección de las agujas del reloj para bloquear la lámpara.

Todas las lámparas deben ser compatibles con GU10.





# Instrucciones de instalación

## Campanas de Pared UVW9301, UUV9361

**?** Ante cualquier duda, llame a GE Appliances al 800.GE.CARES (800.432.2737) o visite nuestro sitio Web en: [GEAppliances.com](http://GEAppliances.com)

### ANTES DE COMENZAR

Lea estas instrucciones por completo y con detenimiento.

- **IMPORTANTE** — Guarde estas instrucciones para el uso de inspectores locales.
- **IMPORTANTE** — Cumpla con todos los códigos y ordenanzas vigentes.
- **Nota al instalador** – Asegúrese de dejar estas instrucciones con el Consumidor.
- **Nota al consumidor** – Conserve estas instrucciones para referencia futura.
- **Nivel de capacidad** – La instalación de esta campana de ventilación requiere capacidades mecánicas y eléctricas básicas.
- **Tiempo de compleción** – Aproximadamente entre 1 y 3 horas
- El instalador tiene la responsabilidad de efectuar una instalación adecuada.
- La Garantía no cubre las fallas del producto debido a una instalación incorrecta.

**⚠PRECAUCIÓN** Debido al peso y tamaño de estas campanas de ventilación, y a fin de reducir el riesgo de lesiones personales o daños sobre el producto - **SE DEBERÁ CONTAR CON DOS PERSONAS PARA UNA INSTALACIÓN ADECUADA.**

### PARA SU SEGURIDAD

**⚠ADVERTENCIA** Antes de comenzar la instalación, desconecte la energía del panel de servicio y bloquee los medios de desconexión para evitar el accionamiento de la energía de manera accidental. Cuando los medios de desconexión de servicio no pueden bloquearse, coloque sobre el panel de servicio un dispositivo de advertencia bien visible, como una etiqueta.

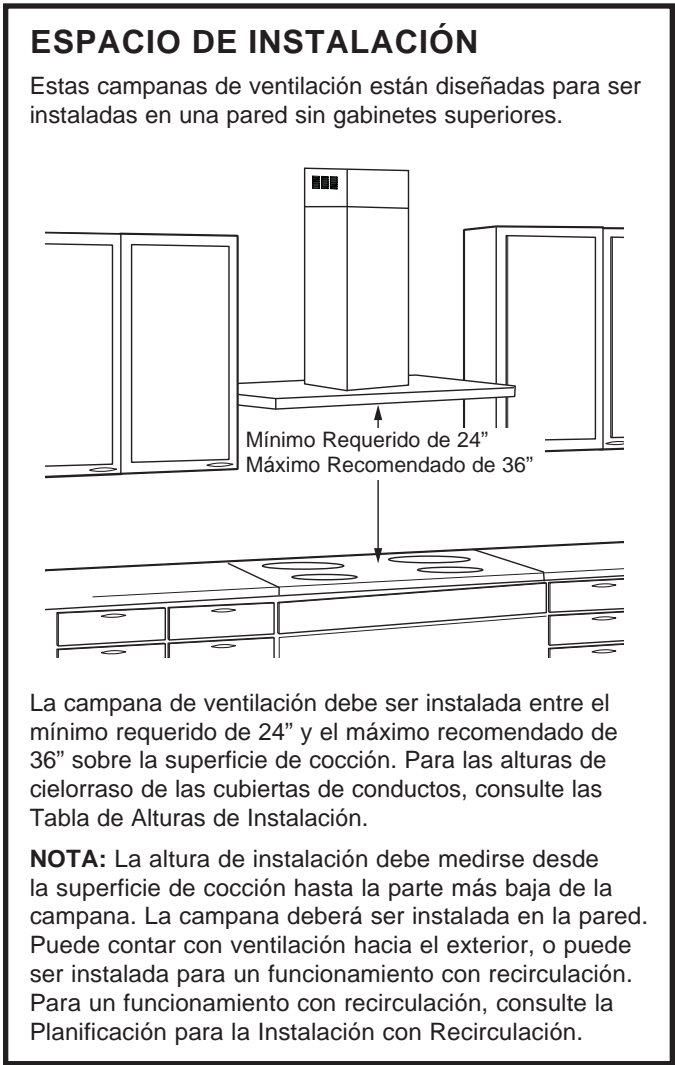
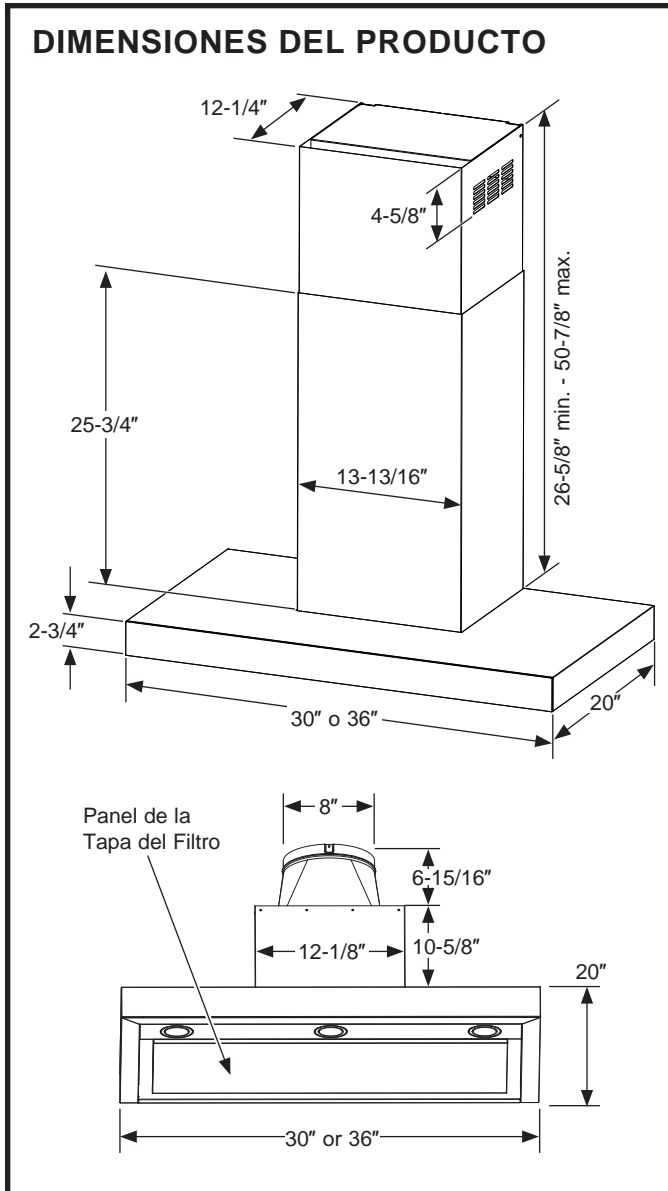
**⚠ADVERTENCIA** PARA REDUCIR EL RIESGO DE INCENDIO, DESCARGA ELÉCTRICA O LESIONES A PERSONAS, CUMPLA CON LOS SIGUIENTES PUNTOS:

- A. El trabajo de instalación y el cableado eléctrico deben ser realizados por una persona(s) calificada de acuerdo con todos los códigos y estándares aplicables, incluyendo construcciones resistentes al fuego.
- B. Es necesario contar con suficiente cantidad de aire para una combustión y salida de gases adecuadas a través del conducto (chimenea) del equipo de consumo de combustible, a fin de evitar ráfagas de aire. Siga las pautas del fabricante del equipo de calefacción y los estándares de seguridad, tales como aquellos publicados por la Asociación Nacional de Protección contra Incendios (National Fire Protection Association, NFPA), la Sociedad Estadounidense para la Calefacción (American Society for Heating), los Ingenieros de Refrigeración y Acondicionadores de Aire (Refrigeration and Air Conditioning Engineers, ASHRAE) y las autoridades de los códigos locales.
- C. Al cortar o perforar una pared o un cielorraso, no dañe el cableado eléctrico y de otros servicios ocultos.
- D. Los ventiladores con conducto siempre deben contar con ventilación hacia el exterior.
- E. Desconecte el disyuntor de habitaciones adyacentes mientras esté trabajando.

**⚠ADVERTENCIA** A FIN DE REDUCIR EL RIESGO DE INCENDIOS, USE SÓLO CONDUCTOS DE METAL.

**⚠ADVERTENCIA** Desconecte toda la corriente eléctrica del disyuntor principal o de la caja de fusibles antes de la instalación.

# Preparación para la instalación

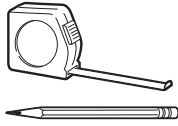


Las instrucciones de instalación, que describen el montaje y cableado planificados para el kit de conexión de cables de la campana, se brindarán con cada kit de conexión de cables de campanas de cocina.

1" = 2.5 cm

# Preparación para la instalación

## HERRAMIENTAS Y MATERIALES REQUERIDOS (NO SUMINISTRADOS)



Lápiz y cinta métrica



Gafas de seguridad



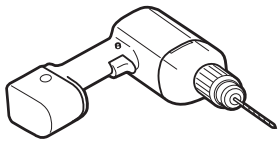
Destornillador de estrella



Nivel



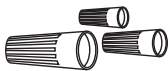
Alicate pelacables



Taladro eléctrico con brocas Phillips nº 2 y de 1/8"



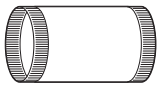
Cinta aislante de aluminio



Tapones de alambre aprobados por UL



Alivio de tensión para la caja de conexiones



Conducto circular de 8" (la longitud variará)



Guantes

## QUITE EL ENVOLTORIO

### ⚠ PRECAUCIÓN

Se guantes para protegerse de los bordes afilados.

- Quite las cubiertas de los conductos.
- Quite la bolsa de piezas, el paquete de instrucciones y otras piezas en cajas.
- Quite y descarte adecuadamente el envoltorio plástico de protección y otros materiales de empaque.

## PLAN DE INSTALACIÓN

### ⚠ ADVERTENCIA

A fin de reducir riesgos de incendios y para que el aire salga de forma apropiada, asegúrese de que el aire sea conducido hacia fuera. No ventile el aire de la salida hacia espacios dentro de paredes o cielorrasos o áticos, espacios muy bajos o garajes.

### PIEZAS PROVISTAS PARA LA INSTALACIÓN

- 1 Paquete de Herramientas
- 1 Paquete Escrito
- Conducto de Recirculación (para instalación con recirculación únicamente)
- Filtros de carbón (modo de recirculación)

### PIEZAS NECESARIAS PARA LA INSTALACIÓN

- 1 Amortiguador de Refuerzo
- Una Tapa de Pared o Techo (para ventilación con conducto únicamente)
- Toda la Tubería Metálica (para ventilación con conducto únicamente)

### ⚠ ADVERTENCIA

#### ! RIESGO DE LESIONES PERSONALES

Debido al peso y tamaño de la base de la campana extractora. Es recomendable que la campana extractora sea instalada por 2 personas. Si la campana no es elevada de forma correcta, se podrán producir daños sobre el producto o lesiones personales.

**NOTA:** Esta campana puede ser instalada con conducto o con recirculación. En una aplicación con conducto, esta campana puede ser ventilada a través de la pared o del cielorraso. Al ser instalada por recirculación, la campana ventila hacia afuera los costados de la cubierta del conducto.

**NOTA:** Antes de realizar cualquier corte o agujero para la instalación, determine qué método de ventilación será usado y con cuidado calcule todas las medidas.

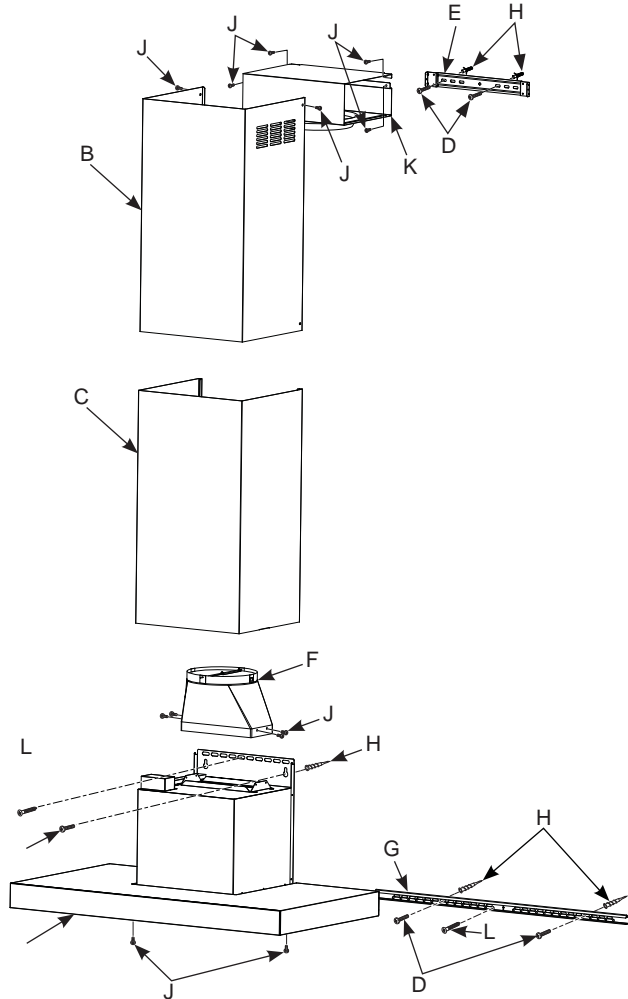
Sólo se deberá usar con los kits de conexión de cables de campanas de cocina que fueron analizados y que se haya determinado que su uso es aceptable con este modelo de campana de cocina.

1" = 2.5 cm

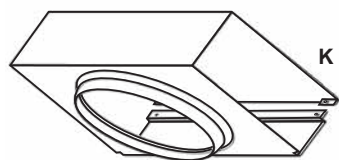
# Preparación para la instalación

## COMPONENTES DE LA CAMPANA EXTRACTORA

- A. Sección de la Base
- B. Cubierta del Conducto
- C. Cubierta del Conducto Inferior
- D. Tornillos de Montaje
- E. Soportes de Montaje de la Cubierta del Conducto
- F. Regulador
- G. Soporte de Montaje de la Campana
- H. Anclaje del Montaje
- J. Tornillos para Metal
- K. Caja de Recirculación
- L. Tornillos de Madera

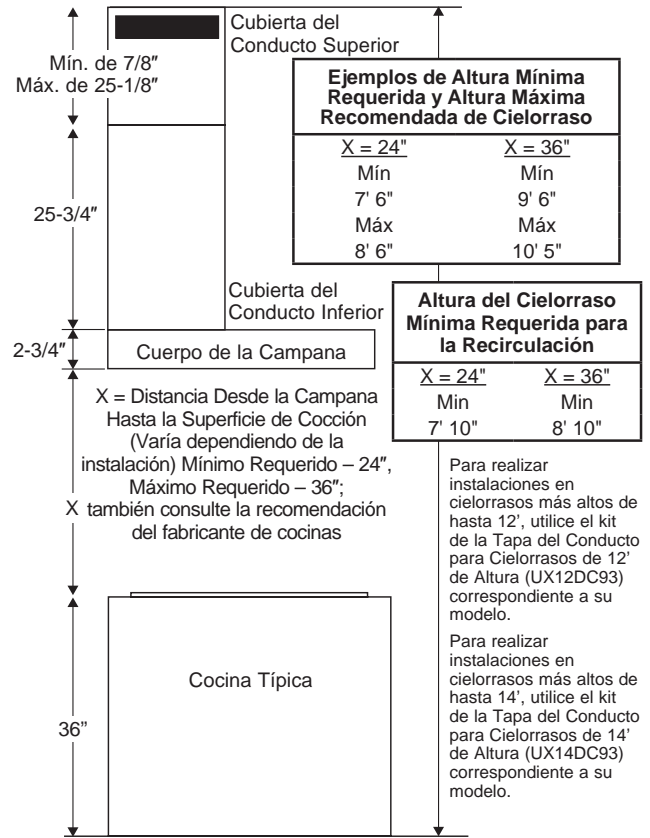


## COMPONENTE DE RECIRCULACIÓN



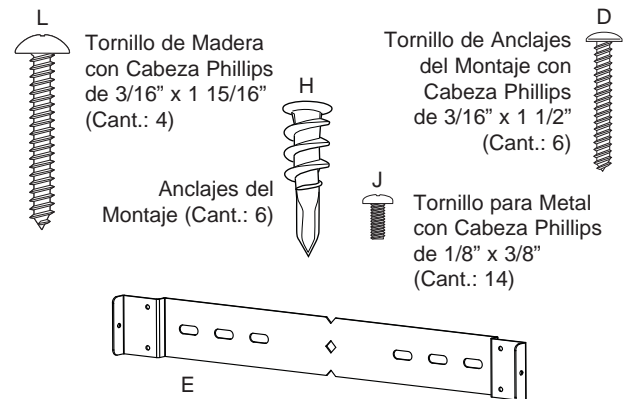
## DIMENSIONES DE INSTALACIÓN

Las tapas de los conductos de las campanas de pared pueden ser ajustadas en diferentes alturas de cielorrasos, dependiendo de la distancia entre la parte inferior de la campana y la superficie de cocción (distancia X). Consulte la Tabla de Alturas de Instalación.



## COMPONENTES DE LAS HERRAMIENTAS

**NOTA:** La extensión de la chimenea reemplaza la chimenea superior e inferior enviada con la campana de cocina. Las herramientas incluidas con la campana se deberán conservar y también usar con la extensión de la chimenea.



1' = 0.3 m, 1" = 2.5 cm

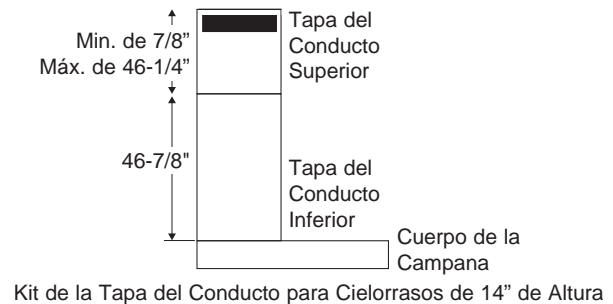
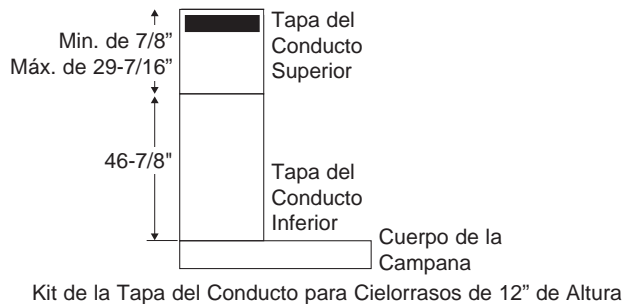
# Preparación para la instalación

**TABLA DE ALTURAS DE INSTALACIÓN**

Altura de Instalación con Tapas de Conductos Suministradas				(UX12DC9SLSS o UX12DC9BJTS)		(UX14DC9SLSS o UX14DC9BJTS)	
				Tapa del Conducto para Cielorrasos Altos Opcional de hasta 12 pies (no incluida con el kit)		Tapa del Conducto para Cielorrasos Altos Opcional de hasta 14 pies (no incluida con la unidad)	
Altura del Cielorraso (pies/pulg.)	Altura Posible de Instalación Ventilada (pulg.)	Altura Posible de Instalación Ventilada (Recirculación ventilada con Agujero Oculto) (pulg.)	Altura Posible de Instalación con Recirculación (pulg.)	Altura del Cielorraso (pies/pulg.)	Altura Ventilada y con Recirculación (pulg.)	Altura del Cielorraso (pies/pulg.)	Altura de Instalación Ventilada y con Recirculación (pulg.)
7' 6"	24	24		9' 3"	24	12'	24-36
7' 7"	24-25	24-25		9' 4"	24-25	12' 1"	24-36
7' 8"	24-26	24-26		9' 5"	24-26	12' 2"	24-36
7' 9"	24-27	24-27		9' 6"	24-27	12' 3"	24-36
7' 10"	24-28	24-28	24	9' 7"	24-28	12' 4"	24-36
7' 11"	24-29	24-29	24-25	9' 8"	24-29	12' 5"	24-36
8'	24-30	24-30	24-26	9' 9"	24-30	12' 6"	24-36
8' 1"	24-31	24-31	24-27	9' 10"	24-31	12' 7"	24-36
8' 2"	24-32	24-32	24-28	9' 11"	24-32	12' 8"	24-36
8' 3"	24-33	24-33	24-29	10'	24-33	12' 9"	24-36
8' 4"	24-34	24-34	24-30	10' 1"	24-34	12' 10"	24-36
8' 5"	24-35	24-35	24-31	10' 2"	24-35	12' 11"	24-36
8' 6"	24-36	24-36	24-32	10' 3"	24-36	13'	24-36
8' 7"	24-36	24-36	24-33	10' 4"	24-36	13' 1"	25-36
8' 8"	24-36	24-36	24-34	10' 5"-11' 3"	24-36	13' 2"	26-36
8' 9"	24-36	24-36	24-35	11' 4"	24-36	13' 3"	27-36
8' 10"	24-36	24-36	24-36	11' 5"	24-36	13' 4"	28-36
8' 11"	24-36	24-36	24-36	11' 6"	24-36	13' 5"	29-36
9'	24-36	24-36	24-36	11' 7"	24-36	13' 6"	30-36
9' 1"	24-36	24-36	24-36	11' 8"	25-36	13' 7"	31-36
9' 2"	24-36	25-36	24-36	11' 9"	26-36	13' 8"	32-36
9' 3"	24-36	26-36	24-36	11' 10"	27-36	13' 9"	33-36
9' 4"	24-36	27-36	24-36	11' 11"	28-36	13' 10"	34-36
9' 5"	24-36	28-36	24-36	12'	29-36	13' 11"	35-36
9' 6"	25-36	29-36	25-36			14'	36
9' 7"	26-36	30-36	26-36				
9' 8"	27-36	31-36	27-36				
9' 9"	28-36	32-36	28-36				
9' 10"	29-36	33-36	29-36				
9' 11"	30-36	34-36	30-36				
10'	31-36	35-36	31-36				
10' 1"	32-36	36	32-36				
10' 2"	33-36		33-36				
10' 3"	34-36		34-36				
10' 4"	35-36		35-36				
10' 5"	36		36				

\*Basado en la altura de una cocina eléctrica de 36".

Para cocinas a gas, inicie el cuadro en 92" y reste 2" para conocer la altura de instalación máxima de cada bloque.



1' = 0.3 m, 1" = 2.5 cm

# Preparación para la instalación

## PLANIFICACIÓN PREVIA

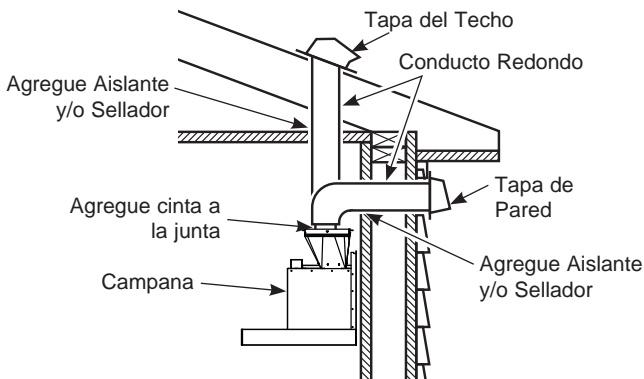
### Planificación para la Instalación con Conducto

- Esta campana está diseñada para ventilarse en forma vertical a través del cielorraso. Use un conducto circular de 8". Utilice codos suministrados en forma local para ventilación horizontal a través de la pared trasera.
- Determine la ubicación exacta de la campana de ventilación.
- Planifique el recorrido de la salida de ventilación hacia el exterior. A fin de maximizar el rendimiento de la ventilación del sistema de ventilación:
  1. Minimice la longitud del conducto y el número de transiciones y codos.
  2. Mantenga un tamaño de conducto constante.
  3. Selle todas las juntas con cinta para conductos a fin de evitar pérdidas.

**NOTA:** No se recomienda una ventilación flexible. La ventilación flexible crea una presión trasera y turbulencia del aire que reduce el rendimiento significativamente.

- Longitud máxima equivalente del conducto para 100 CFM: 150 pies para campanas de ventilación.
- Instale una cubierta de pared o casquete de techo con un regulador de tiro en la abertura exterior. Solicite por adelantado la cubierta de pared o el casquete de techo y cualquier transición o longitud de conducto necesarios.
- Cuando corresponda, instale un sistema de reposición (reemplazo) de aire de acuerdo con los requisitos del código local de construcción. Use el kit de aire de reposición JXMUA8.

El sistema de ventilación puede desembocar a través del techo o de la pared. Para ventilar a través de una pared, es necesario un codo de 90° que se encuentre instalado inmediatamente sobre la campana.



### Planificación de Instalación con Recirculación

Un conducto de recirculación (incluido) y un filtro de carbón (incluido) son necesarios para la instalación con recirculación.

### Planificación del Suministro de Corriente

La ubicación de la conexión del suministro de corriente está señalizada en la sección de Instalación del Montaje del Soporte de la Campana.

## SUMINISTRO DE ENERGÍA

**IMPORTANTE – (Tenga a bien leer cuidadosamente)**

### ⚠ ADVERTENCIA

PARA SEGURIDAD PERSONAL, ESTE APARATO DEBE CONECTARSE A TIERRA DE MANERA ADECUADA.

Quite el fusible o abra el interruptor de circuitos antes de comenzar la instalación.

No utilice un cable de extensión o un enchufe adaptador con este artefacto. Siga los Códigos Eléctricos Nacionales o códigos y ordenanzas locales vigentes.

### Suministro eléctrico

Estas campanas de ventilación deben contar con un suministro de 120V, 60Hz, deben estar conectadas a un circuito derivado individual con una adecuada conexión a tierra y deben contar con la protección de un interruptor de circuitos o un fusible con retraso de 15 o 20 amperios.

- El cableado debe ser de 2 hilos con conexión a tierra.
- Si el suministro eléctrico no cumple con los requisitos anteriores, llame a un electricista con licencia antes de continuar.
- Dirija el cableado doméstico lo más cerca posible a la ubicación de la instalación, en el cielorraso o pared trasera. Ver página 14 para más detalles.
- Conecte el cableado al cableado doméstico en cumplimiento con los códigos locales.

### Instrucciones de conexión a tierra

El conductor a tierra debe conectarse a un metal con conexión a tierra, un sistema de cableado permanente o una terminal o conductor de conexión a tierra del equipamiento en la campana.

### ⚠ ADVERTENCIA

Una conexión inadecuada del conductor de conexión a tierra del equipamiento puede provocar un riesgo de descarga eléctrica. Consulte a un electricista calificado o representante de servicio técnico si tiene dudas sobre la correcta conexión a tierra del artefacto.

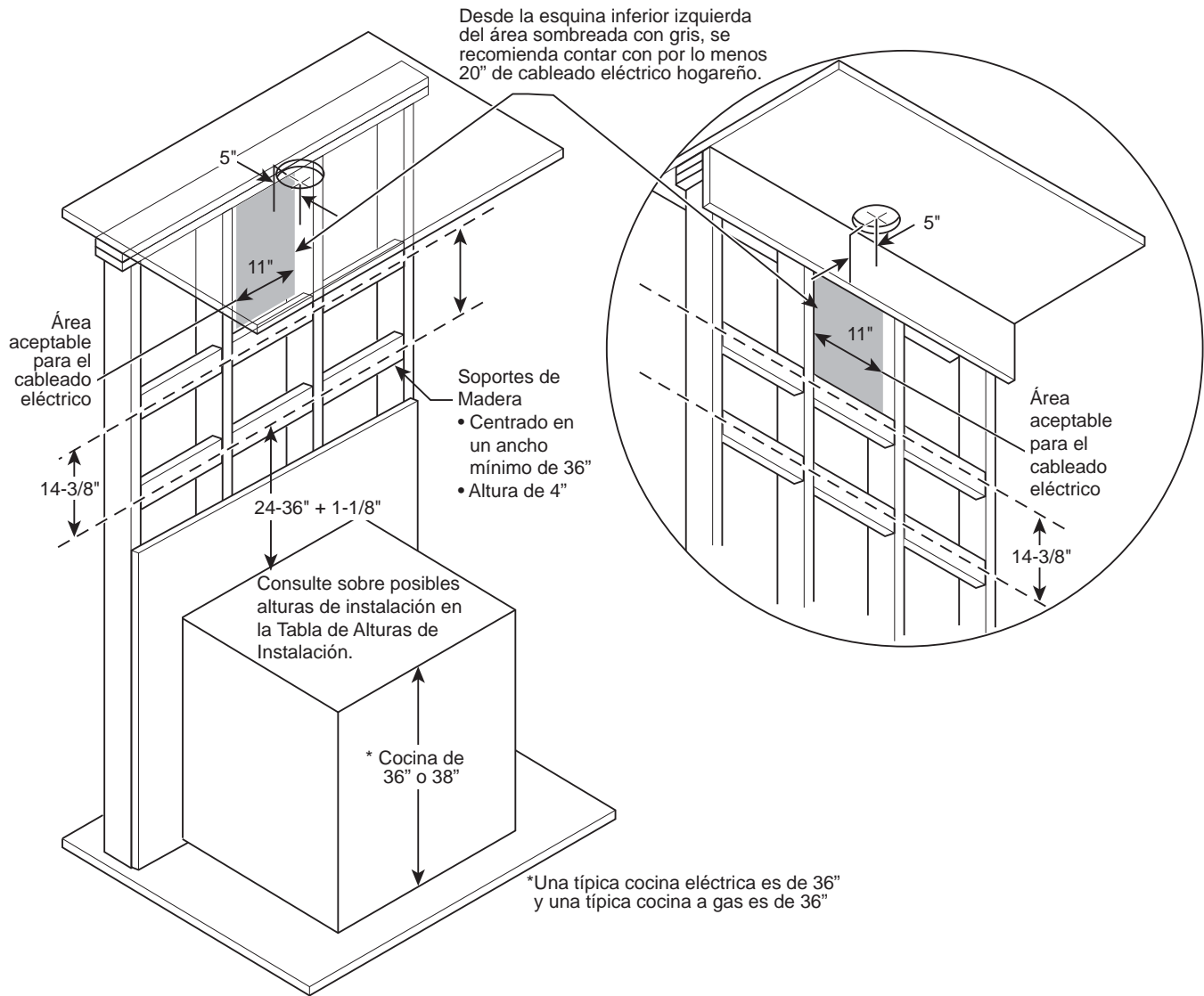
1" = 2.5 cm

# Instalación

## NUEVA CONSTRUCCIÓN, PLANIFICACIÓN PREVIA O REMODELACIÓN

**NOTA:** Para construcciones existentes, pase a la sección de Instalación del Montaje del Soporte de la Campana.

- Instale soportes de madera horizontales entre 2 montajes de pared que se alineen con las ubicaciones de la altura del montaje vertical mostrado en la ilustración.
- Los soportes horizontales deberán estar nivelados con los montajes laterales de la sala.
- Para una instalación con conducto, el agujero del conducto en el cielorraso deberá estar centrado a 5" de distancia de la pared trasera de finalización.
- El soporte inferior se alinea con el soporte de montaje de la campana. La altura depende de la altura deseada de la campana.
- El soporte superior deberá estar nivelado con el cielorraso.
- El cableado eléctrico podrá estar ubicado a 5 ½" hacia la izquierda o la derecha (la caja de empalmes se encuentra del lado izquierdo) de la línea central. Deberá permanecer a 7/16" sobre el panel trasero y a 5" desde el cielorraso; consulte la ilustración en la siguiente página.



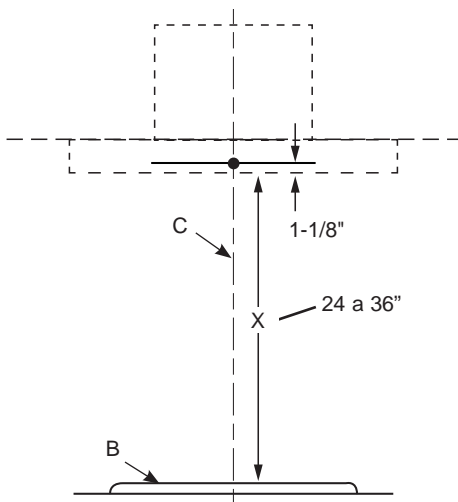
1" = 2.5 cm

# Instalación

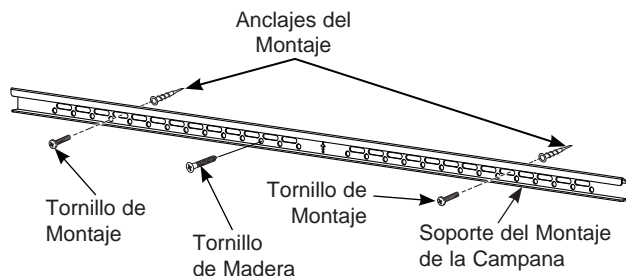
## INSTALACIÓN DEL MONTAJE DEL SOPORTE DE LA CAMPANA

### Cuerpo de la Campana

1. Coloque una tapa protectora sobre la superficie que se encuentra debajo de la ubicación de la campana, a fin de proteger la misma de la suciedad y/o daños.
2. Determine y marque la línea central (C) sobre la pared (dibuje una línea hacia arriba hasta el cielorraso) donde la campana de la cocina será instalada. En base a la altura del cielorraso, determine la distancia entre el mínimo requerido de 24" y el máximo (X) recomendado de 36" entre la superficie de cocción (B) y la parte inferior de la campana. Dibuje una línea horizontal en X. Alinee la plantilla de instalación de modo que la parte inferior de la plantilla se encuentre centrada y esté nivelada con la línea horizontal dibujada en la altura X.

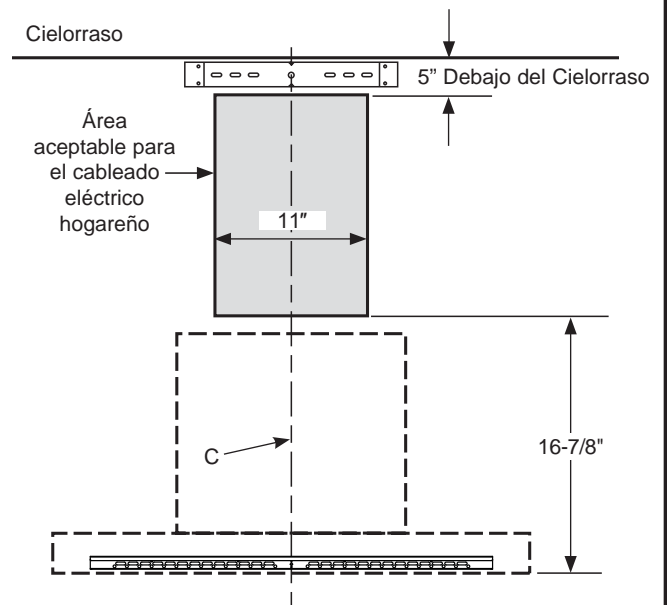


3. Busque las ubicaciones de los montajes y marque los mismos sobre la plantilla.
4. Coloque el soporte de montaje de la campana (G) en el contorno de la plantilla. Marque por lo menos la ubicación de un tornillo de madera (L) que se encuentre en el montaje. Si no es posible encontrar otro montaje, marque por lo menos otras dos ubicaciones de tornillos para el montaje de los anclajes, una a cada lado del tornillo de madera (L). Retire el soporte de la pared e instale los anclajes del montaje (H). Vuelva a colocar el soporte del montaje de la campana (G) en la pared y monte el mismo con los tornillos de madera (L) y los tornillos de montaje (D) según sea necesario. Se recomienda crear un agujero piloto en los montajes para los tornillos de madera (L).



### Tapas del Conducto y Suministro de Corriente

1. Coloque el soporte de la tapa del conducto (E) en la pared, de modo que su extremo se encuentre contra el cielorraso y nivelado, asegurándose de que las ranuras se encuentren en contacto directo con la pared. Alinee las aberturas centrales del soporte y de la línea central. Marque la ubicación de los agujeros de los tornillos tan lejos de la línea central como sea posible. Si uno de los agujeros de los tornillos está alineado con un montaje, entonces se usará un tornillo de madera para dicha ubicación. Para el otro agujero o si no hay montajes, instale los 2 anclajes del montaje (H). Coloque el soporte de la tapa del conducto (E) en la pared e instale el mismo con tornillos de madera (L) y tornillos de montaje (D) según sea necesario.
2. El cableado eléctrico del hogar deberá pasar por el área sombreada de gris que se muestra a continuación. Desde la esquina inferior izquierda del área sombreada, se recomienda un mínimo de 20" de cableado eléctrico hogareño para llegar hasta la caja de empalmes de la campana.

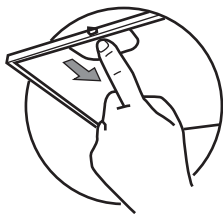


1" = 2.5 cm



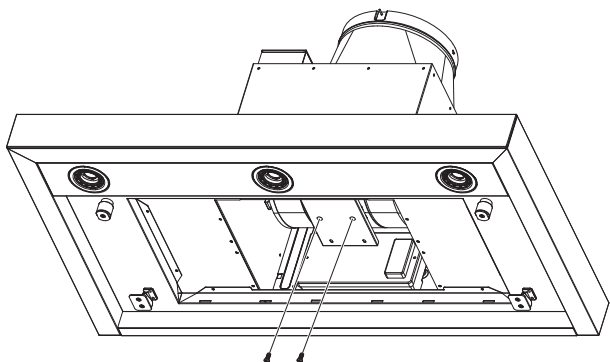
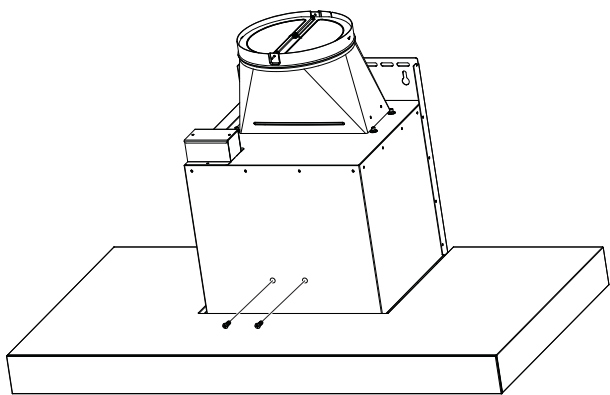
## INSTALACIÓN DE LA CAMPANA

Retire los filtros de grasa de la unidad y deje los mismos a un costado. Los filtros de grasa deben ser retirados presionando la manija ubicada en el frente del filtro. Al realizar el reemplazo, asegúrese de que los filtros queden correctamente posicionados con las manijas en frente y visibles.

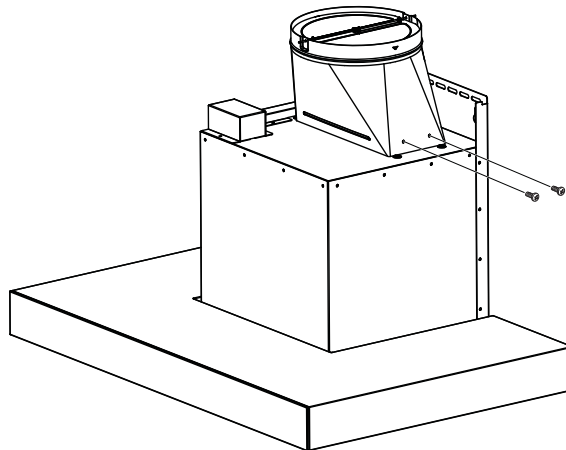


**NOTA:** En algunos modelos, el panel frontal cubre los filtros y debe ser presionado hacia abajo para acceder a estos.

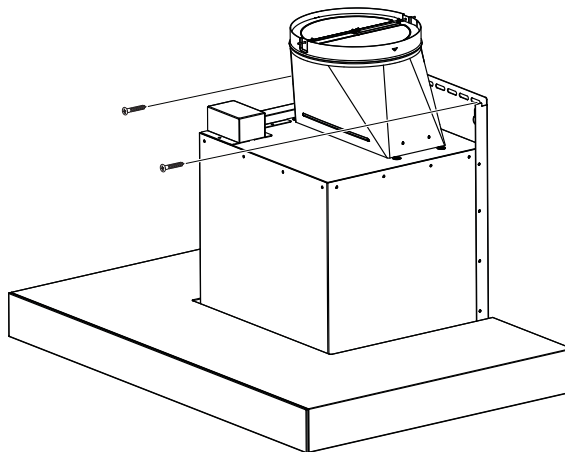
**NOTA:** Este soporte deberá ser retirado antes de la instalación. Retire los 2 tornillos frontales y los 2 inferiores, de acuerdo con la siguiente ilustración.



1. De forma segura, presione el regulador ubicado en la parte superior de la abertura del extractor. Controle que el regulador se abra libremente. Adhiera el regulador a la campana, usando los tornillos para metal (J) provistos.



2. Retire y descarte de forma adecuada el envoltorio plástico protector de la campana y engrase el filtro. Retire la plantilla de la pared.
3. Monte la Campana de la Cocina:
  - Entre 2 o más personas, levanten la campana de la cocina y coloquen la misma sobre el soporte del montaje de la campana. Asegúrese de que el soporte se adhiera completamente al cuerpo de la campana.
  - Instale los 2 tornillos de montaje (D) o tornillos de madera (L), según sea necesario, en los agujeros designados del panel trasero.

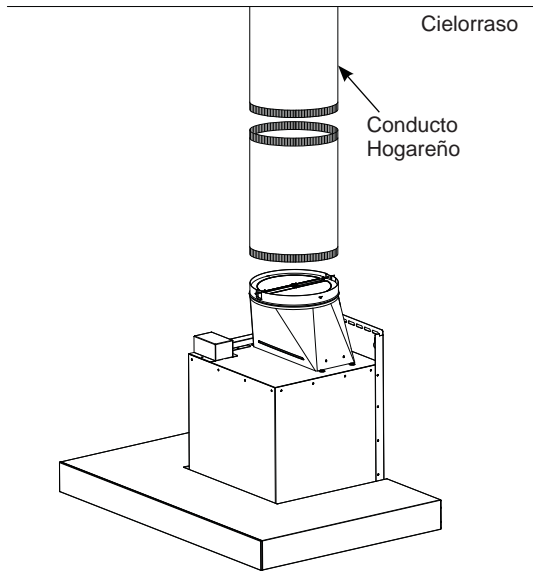


# Instalación

## INSTALACIÓN DE LA CAMPANA (Cont.)

### A Instalaciones Ventiladas

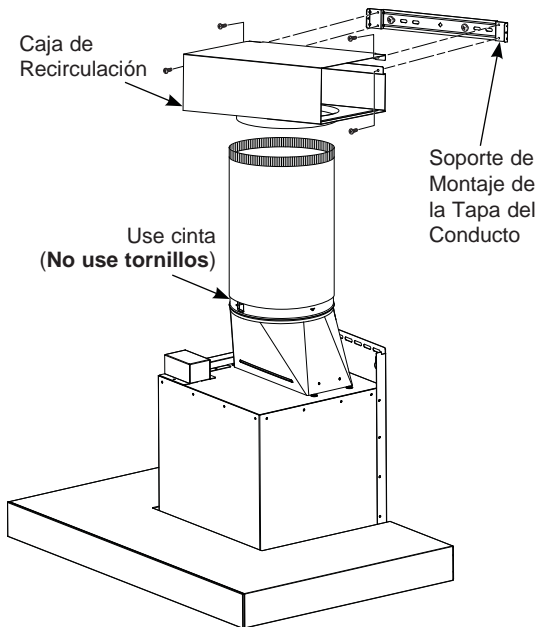
Conecte el conducto hogareño al regulador ubicado en el cuerpo de la campana. Selle todas las conexiones con cinta para conductos (**No use tornillos**).



### B Recirculación (No ventilada)

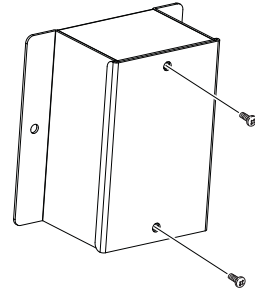
**NOTA:** Una caja de recirculación, un filtro de carbón, y un soporte se encuentran incluidos con la campana y son necesarios para la instalación de la recirculación.

1. Adhiera la caja de recirculación al conducto sobre el soporte del montaje con 4 tornillos para metal (J).
2. Conecte el conducto desde la salida del extractor de la campana hasta la caja de recirculación. Use cinta de conductos para sellar todas las conexiones de la caja de recirculación y la salida del extractor.

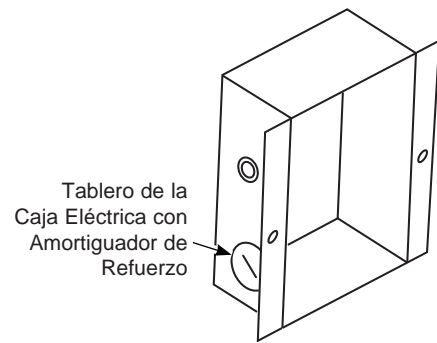


## CONEXIÓN ELÉCTRICA

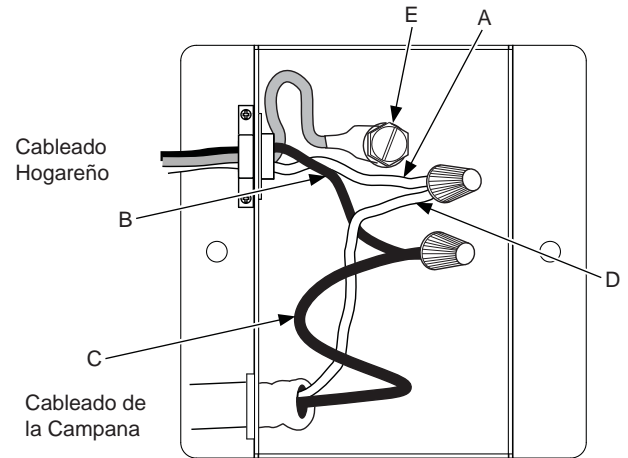
1. Retire la tapa de la caja de empalmes eléctricos.



2. Retire el tablero de la caja eléctrica.



3. Alimente el Cable de Suministro Eléctrico a través del agujero y asegure el mismo con un amortiguador de refuerzo.
4. Adhiera el cable blanco del suministro de corriente (A) al cable blanco de la campana extractora (D) con una tuerca para cable. Adhiera el cable negro del suministro de corriente (B) al cable negro de la campana extractora (C) con una tuerca para cable. Conecte el cable a tierra verde (E) (verde y amarillo) debajo del tornillo de conexión a tierra verde.



5. Vuelva a colocar la tapa de la caja de empalmes eléctricos.

## INSTALACIÓN DE LAS TAPAS DE LOS CONDUCTOS

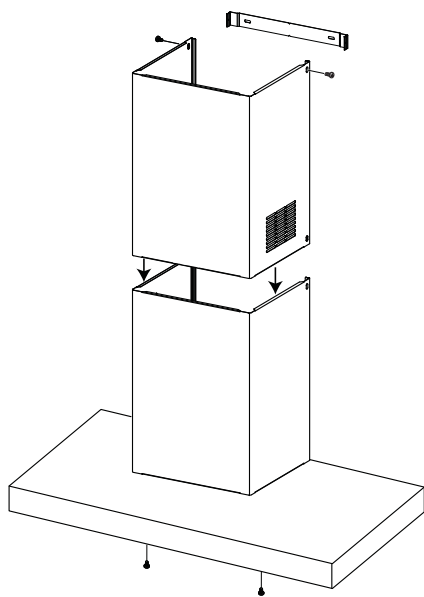
### 1. Para la instalación con conducto y recirculación:

Retire la capa protectora de las tapas del conducto. Coloque la tapa del conducto superior, de modo que se deslice dentro de la tapa del conducto inferior.

**NOTA:** Para la recirculación, la tapa del conducto superior deberá ser instalada con las ventilaciones del extractor en la parte superior hacia el cielorraso.

Dependiendo de la cantidad de superposición entre las tapas de los conductos superior e inferior, la parte superior puede ser invertida a fin de ocultar los agujeros de la ventilación. Consulte sobre posibles alturas en la Tabla de Alturas de Instalación.

Coloque el conjunto de tapas de conductos, calzando las mismas de forma segura sobre la parte superior de la campana. Termine de adherir la tapa del conducto inferior al cuerpo de la campana con dos tornillos para metal (J) que se enrosquen desde arriba en la parte que se encuentra debajo de la campana.



2. Instale la tapa del conducto superior elevando la misma de forma cuidadosa a fin de evitar rayones, hasta que alcance el cielorraso. Presione la tapa del conducto de forma nivelada contra la pared; luego use dos tornillos para metal (J) para montar el conducto superior al soporte del montaje del conducto.
3. Si usará la recirculación, instale los filtros de carbón. Luego vuelva a instalar los filtros de grasa a la campana; consulte la sección de Filtros.
4. Encienda el suministro de corriente. Encienda el calefactor y la luz. Si la campana de la cocina no funciona, controle que el disyuntor no se haya desconectado o que el fusible hogareño se haya quemado. Si la unidad aún no funciona, desconecte el suministro de corriente y controle que las conexiones del cableado hayan sido realizadas de forma correcta.

# Instalación

## TECNOLOGÍA DE REPOSICIÓN DE AIRE

**Nota para los Instaladores e Inspectores:** Este producto está equipado con una función de instalación simple que limita los niveles máximos de CFM, a fin de cumplir con ciertos códigos o regulaciones locales. Es posible que este método de instalación no sea necesario en todas las instalaciones; para acceder a más pautas, por favor consulte sus códigos locales.

### ⚠️ PRECAUCIÓN

La campana deberá ser desconectada de la alimentación de corriente principal siguiendo las instrucciones de conversión que figuran a continuación. Si no se siguen estos pasos, se podrán producir lesiones personales o daños sobre el producto.

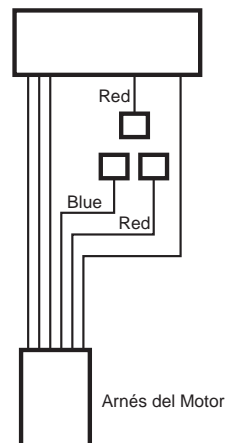
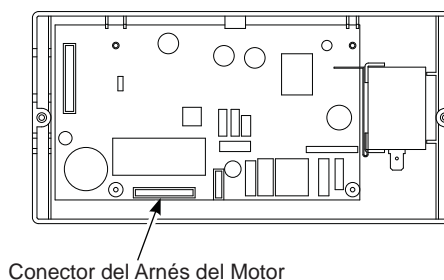
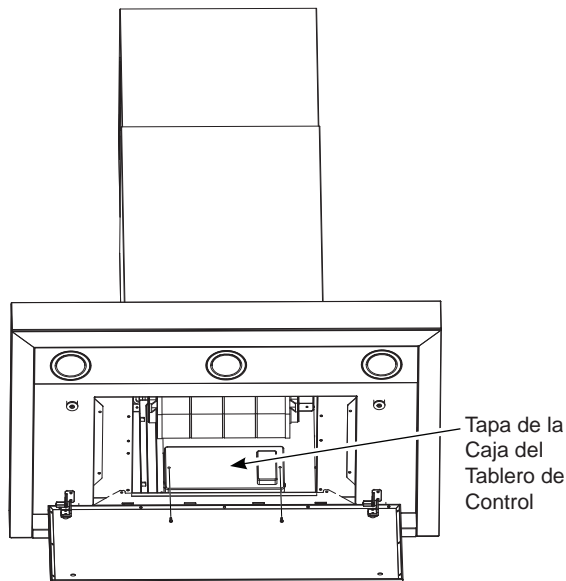
**A fin de modificar la unidad (si es necesario para cumplir con los códigos locales):**

#### 390CFM o 290CFM

Por diseño, la velocidad máxima del calefactor es superior a los 400 CFM. Si los códigos locales requieren una reducción de los CFM, modifique el cableado como se describe a continuación:

1. Abra el panel de la tapa del filtro y retire los filtros.
2. Retire la tapa de la caja del tablero de control.
3. Ubique el arnés del motor enchufado al tablero de control.
4. **A - Para un máximo de 390 CFM, la unidad puede funcionar en 4 velocidades (Baja, Media, Alta, Aumentada).**
  1. Desconecte el conector del cable azul del cable rojo.
  2. Conecte los 2 cables rojos juntos.
  3. Desconecte el conector azul no utilizado y ondule el extremo si así lo desea.
- B - Para un máximo de 290 CFM, la unidad puede funcionar en 3 velocidades (Baja, Media, Alta).**
  1. Desconecte el conector del cable azul del cable rojo.
  2. Desconecte el conector azul no utilizado y ondule el extremo si así lo desea.
5. Vuelva a adherir la tapa de la caja del tablero de control e instale los Filtros; consulte la sección de Filtros.

**Nota para los Inspectores:** A fin de verificar que este producto fue instalado en una de estas configuraciones, controle las conexiones del cableado del motor de acuerdo con la descripción previa.



## Consejos para la Solución de Problemas... Antes de solicitar el servicio técnico

¡Ahorre tiempo y dinero! Primero revise los cuadros que aparecen en las siguientes páginas y es posible que no necesite solicitar reparaciones.

Problema	Causas posibles	Qué hacer
<b>El Ventilador/ la Luz no funciona cuando el botón está en ON (Encendido)</b>	El fusible puede haberse quemado o el interruptor de circuitos puede haber saltado.	Cambie los fusibles o reconfigure el interruptor de circuitos.
<b>Ruido de flujo de aire muy elevado o anormal</b>	Tamaño de conducto incorrecto utilizado en la instalación.	Esta campana requiere un conducto de 8" para funcionar de manera óptima. El uso de un conducto más pequeño hará que la ventilación se reduzca. Minimice la longitud del conducto y el número de transiciones y codos. Los técnicos de GE Appliances no pueden corregir este problema si hay una instalación inadecuada.
<b>El ventilador no hace circular aire o desplaza el aire más despacio que lo normal y/o hace ruido de flujo de aire elevado o anormal</b>	Obstrucciones en el conducto.	Verifique que no haya obstrucciones en la ventilación. Controle que la cubierta de pared o casquete de techo tengan una hoja o puerta.
	La hoja del regulador de tiro de la cubierta de pared o casquete de techo puede estar cerrada.	Asegúrese de que el regulador de tiro se mueva libremente. Las hojas del regulador de tiro pueden darse vuelta y no se abrirán por completo cuando esto suceda. Ajustela con la posición original.
	El filtro de grasa metálico y el filtro de carbón (si lo hubiera) pueden estar sucios.	Limpie el filtro de grasa metálico y vuelva a colocar el filtro de carbón (si lo hubiera). Ver Cuidado y limpieza de la campana de ventilación.
	Insuficiente reposición (reemplazo) de aire	Se requiere suficiente reposición (reemplazo) de aire para que los artefactos con salida de aire funcionen de acuerdo con sus calificaciones energéticas. Controle los códigos locales de construcción, que podrán requerir o aconsejar enfáticamente el uso de reposición de aire. Para acceder soluciones de aire disponibles, visite <a href="http://GEAppliances.com">GEAppliances.com</a> .
<b>Falla temprana de la lámpara</b>	El voltaje de la lámpara es demasiado alto.	Reemplace la misma por una con el voltaje correcto.
<b>El ventilador continúa encendiéndose y apagándose.</b>	Es posible que el motor se esté sobrecalentando y apagando solo. Esto puede ser nocivo para el motor.	Asegúrese de que los filtros estén limpios. Si el ciclo de encendido y apagado continúa, comuníquese al servicio técnico.
<b>La campana no funciona de forma remota</b>	Problemas en el enrutador, no hay señal inalámbrica, etc.	Para solicitar asistencia para la conectividad de la red inalámbrica de la campana, por favor comuníquese al 800.220.6899.
	La campana no se encuentra conectada.	

# Garantía Limitada de la Cocina Eléctrica de GE Appliances

## GEAppliances.com

Todo el servicio de garantía es provisto por nuestros Centros de Servicio de Fabricación, o un técnico autorizado de Customer Care®. Para programar una visita del servicio técnico a través de Internet, visítenos en [GEAppliances.com/service\\_and\\_support/](http://GEAppliances.com/service_and_support/), o llame al 800.GE.CARES (800.432.2737). Cuando llame para solicitar el servicio, tenga los números de serie y modelo disponibles.

Para realizar el servicio técnico de su electrodoméstico, se podrá requerir el uso de datos del puerto de abordaje para su diagnóstico. Esto da al técnico del servicio de fábrica de GE Appliances la habilidad de diagnosticar de forma rápida cualquier problema con su electrodoméstico, y de ayudar a GE Appliances a mejorar sus productos al brindarle a GE Appliances la información sobre su electrodoméstico. Si no desea que los datos de su electrodoméstico sean enviados a GE Appliances, solicitamos que le indique a su técnico no entregar los datos a GE Appliances en el momento del servicio.

Por el Período de	GE Appliances reemplazará
Un Año Desde la fecha de la compra original	Cualquier pieza del producto de cocción que falle debido a un defecto en los materiales o la fabricación. Durante esta <b>garantía limitada de un año</b> , GE Appliances también proveerá, <b>sin costo</b> , todo el trabajo y costos del servicio relacionados con el reemplazo de la pieza defectuosa.

### Qué no cubrirá GE Appliances:

- Viajes del técnico del servicio a su hogar para enseñarle sobre cómo usar el producto.
- Instalación, entrega o mantenimiento inadecuados.
- Fallas del producto en caso de abuso, mal uso, modificación o uso para propósitos diferentes al original o uso comercial.
- Reemplazo de fusibles de la casa o reinicio de disyuntores.
- Daños ocasionados sobre el producto por accidente, incendio, inundaciones o catástrofes naturales.
- Daños incidentales o consecuentes causados por posibles defectos sobre este producto.
- Daños sobre el acabado, tales como óxido sobre la superficie, deslustres o manchas pequeñas no informadas dentro de las 48 horas luego de la entrega.
- Daño causado después de la entrega.
- Producto no accesible para brindar el servicio requerido.
- Marcas o manchas (incluyendo manchas de óxido sobre la superficie) que pueden ser eliminadas siguiendo las instrucciones de limpieza.
- Solicite el servicio técnico para reparar o reemplazar las lámparas, excepto las lámparas LED.

### EXCLUSIÓN DE GARANTÍAS IMPLÍCITAS

Su única y exclusiva alternativa es la reparación del producto, como se indica en la Garantía Limitada. Las garantías implícitas, incluyendo garantías implícitas de comerciabilidad o conveniencia sobre un propósito particular, se limitan a un año o al período más corto permitido por la ley.

Abroche su recibo aquí. Para acceder al servicio técnico de acuerdo con la garantía deberá contar con la prueba de la fecha original de compra.

Esta garantía limitada se extiende al comprador original y a cualquier propietario posterior de los productos comprados para uso doméstico dentro de EE. UU. Si el producto está en un área donde no se encuentra disponible un Proveedor Autorizado del Servicio Técnico de GE Appliances, usted será responsable por el costo de un viaje o se podrá requerir que traiga el producto a una ubicación del Servicio Técnico de GE Appliances autorizado para recibir el servicio. En Alaska, la garantía limitada excluye el costo de envío o visitas de servicio a su domicilio. Algunos estados no permiten la exclusión o limitación de daños fortuitos o consecuentes. Esta garantía limitada le otorga derechos legales específicos, y usted también podría tener otros derechos que varían de estado a estado. Para conocer cuáles son sus derechos legales, consulte a la oficina de asuntos del consumidor local o estatal o al Fiscal de su estado.

En Canadá: Esta garantía se extiende al comprador original y a cualquier dueño subsiguiente de productos comprados para uso hogareño dentro de Canadá. Si el producto se encuentra en un área donde no se encuentra disponible el servicio técnico de un Proveedor del Servicio de GE Appliances Autorizado, usted será responsable por el costo de un viaje o se podrá requerir que traiga el producto a una ubicación del Servicio Técnico de GE Appliances Autorizado. Algunas provincias no permiten la exclusión o limitación de daños fortuitos o consecuentes. Esta garantía le da derechos legales específicos y es posible que tenga otros derechos legales que varían entre una provincia y otra. Para saber cuáles son sus derechos legales, consulte en la oficina de protección al consumidor local o de su provincia.

**Garante: GE Appliances, a Haier company**  
Louisville, KY 40225

**Garante en Canadá: MC Commercial**  
Burlington, ON, L7R 5B6

**Garantías Extendidas:** Adquiera una garantía extendida de GE Appliances y conozca los descuentos especiales que están disponibles mientras su garantía aún está vigente. Puede acceder a la misma a través de Internet en cualquier momento en

[GEAppliances.com/extended-warranty](http://GEAppliances.com/extended-warranty)

o llamando al 800.626.2224 durante el horario comercial. Los Servicios para los GE Appliances aún estarán disponibles cuando su garantía caduque.

# Accesorios

---

## ¿Busca Algo Más?

**GE Appliances ofrece una variedad de accesorios para mejorar sus experiencias de cocción y mantenimiento!**

Para acceder a números telefónicos e información de sitios Web, consulte la página de Soporte para el Consumidor.

Estos y otros productos están disponibles:

### **Piezas**

---

Kit del Cable de Corriente

---

Kit de Aire de Reposición

---

Filtro de Carbón

---

Kit de Recirculación

---

Control Remoto

---

Kit de la Tapa del Conducto para Cielorrasos de 12' de Altura

---

Kit de la Tapa del Conducto para Cielorrasos de 14' de Altura

---

### **Suministros de Limpieza**

---

Limpiadores de Acero Inoxidable CERAMA BRYTE®

---

Limpiador para Electrodomésticos de Acero Inoxidable CERAMA BRYTE®

---

Bar Keepers Friend Soft Cleanser™

---

# Soporte para el Consumidor

---

## Sitio Web de GE Appliances

¿Desea realizar una consulta o necesita ayuda con su electrodoméstico? ¡Intente a través del Sitio Web de GE Appliances las 24 horas del día, cualquier día del año! Usted también puede comprar más electrodomésticos maravillosos de GE Appliances y aprovechar todos nuestros servicios de soporte a través de Internet, diseñados para su conveniencia.

En EE.UU.: [GEAppliances.com](http://GEAppliances.com)

---

## Registre su Electrodoméstico

¡Registre su electrodoméstico nuevo a través de Internet, según su conveniencia! Un registro puntual de su producto permitirá una mejor comunicación y un servicio más puntual de acuerdo con los términos de su garantía, en caso de surgir la necesidad. También puede enviar una carta en la tarjeta de inscripción preimpresa que se incluye con el material embalado.

En EE.UU.: [GEAppliances.com/register](http://GEAppliances.com/register)

---

## Servicio Programado

El servicio de reparación de expertos de GE Appliances está a sólo un paso de su puerta. Conéctese a través de Internet y programe su servicio a su conveniencia cualquier día del año. En EE.UU.: [GEAppliances.com/service](http://GEAppliances.com/service) o comuníquese al 800.432.2737 durante el horario de atención comercial.

---

## Garantías Extendidas

Adquiera una garantía extendida de GE Appliances y conozca los descuentos especiales que están disponibles mientras su garantía aún está vigente. La puede adquirir en cualquier momento a través de Internet. Los servicios de GE Appliances aún estarán allí cuando su garantía caduque.

En EE.UU.: [GEAppliances.com/extended-warranty](http://GEAppliances.com/extended-warranty)

o comuníquese al 800.626.2224 durante el horario de atención comercial.

---

## Conectividad Remota

Para solicitar asistencia para la conectividad de red inalámbrica (para modelos con acceso remoto), visite nuestro sitio web en [GEAppliances.com/connected-home-smart-appliances/](http://GEAppliances.com/connected-home-smart-appliances/) o comuníquese al 800.220.6899 en EE.UU.

---

## Piezas y Accesorios

Aquellos individuos calificados para realizar el servicio técnico de sus propios electrodomésticos podrán solicitar el envío de piezas o accesorios directamente a sus hogares (se aceptan las tarjetas VISA, MasterCard y Discover). Ordene hoy a través de Internet durante las 24 horas, todos los días. En EE.UU.: [GEApplianceparts.com](http://GEApplianceparts.com) o de forma telefónica al 877.959.8688 durante el horario de atención comercial.

**Las instrucciones que figuran en este manual cubren los procedimientos que serán realizados por cualquier usuario. Otros servicios técnicos generalmente deben ser derivados a personal calificado del servicio. Se deberá tener cuidado, ya que una reparación indebida podrá hacer que el funcionamiento no sea seguro.**

---

## Contáctenos

Si no se encuentra satisfecho con el servicio que recibió de GE Appliances, comuníquese con nosotros a través de nuestro sitio Web con todos los detalles, incluyendo su número telefónico, o escriba a:

En EE.UU.: General Manager, Customer Relations | GE Appliances, Appliance Park | Louisville, KY 40225

[GEAppliances.com/contact](http://GEAppliances.com/contact)