



VENTED RANGE HOODS

With QuietBoost™ Blower

SAFETY INFORMATION3

USING THE HOOD

Controls5

Wi-Fi Connect..... 6

Filters7

CARE AND CLEANING

Surfaces8

Lights8

INSTALLATION INSTRUCTIONS ... 9

TROUBLESHOOTING TIPS..... 25

LIMITED WARRANTY 26

ACCESSORIES 27

CONSUMER SUPPORT 28

**OWNER'S MANUAL
& INSTALLATION
INSTRUCTIONS**

UVW8304
UVW8364

Write the model and serial numbers here:

Model # _____

Serial # _____

You can find them on a label on the inside of the hood.

ESPAÑOL

Para consultar una version en español de este manual de instrucciones, visite nuestro sitio de internet GEAppliances.com.

THANK YOU FOR MAKING GE APPLIANCES A PART OF YOUR HOME.

Whether you grew up with GE Appliances, or this is your first, we're happy to have you in the family.

We take pride in the craftsmanship, innovation and design that goes into every GE Appliances product, and we think you will too. Among other things, registration of your appliance ensures that we can deliver important product information and warranty details when you need them.

Register your GE appliance now online. Helpful websites and phone numbers are available in the Consumer Support section of this Owner's Manual. You may also mail in the pre-printed registration card included in the packing material.



GE APPLIANCES

IMPORTANT SAFETY INFORMATION

READ ALL INSTRUCTIONS BEFORE USING

⚠ WARNING TO REDUCE THE RISK OF FIRE, ELECTRIC SHOCK OR INJURY TO PERSONS, OBSERVE THE FOLLOWING:

- A. Use this unit only in the manner intended by the manufacturer. If you have questions, contact the manufacturer.
- B. Before servicing or cleaning unit, switch power off at service panel and lock the service disconnecting means to prevent power from being switched on accidentally. When the service disconnecting means cannot be locked, securely fasten a prominent warning device, such as a tag, to the service panel.
- C. Do not use this unit with any solid-state speed control device.
- D. This unit must be grounded.

⚠ CAUTION FOR GENERAL VENTILATING USE ONLY. DO NOT USE TO EXHAUST HAZARDOUS OR EXPLOSIVE MATERIALS AND VAPORS.

⚠ CAUTION TO REDUCE RISK OF FIRE AND TO PROPERLY EXHAUST AIR, BE SURE TO DUCT AIR OUTSIDE. DO NOT VENT EXHAUST AIR INTO SPACES WITHIN WALLS OR CEILINGS OR INTO ATTICS, CRAWL SPACES OR GARAGES.

⚠ WARNING TO REDUCE THE RISK OF INJURY TO PERSONS IN THE EVENT OF A RANGE TOP GREASE FIRE, OBSERVE THE FOLLOWING*:

- A. SMOTHER FLAMES with a close-fitting lid, cookie sheet or metal tray, then turn off the burner. BE CAREFUL TO PREVENT BURNS. If the flames do not go out immediately, EVACUATE AND CALL THE FIRE DEPARTMENT.
- B. NEVER PICK UP A FLAMING PAN—You may be burned.
- C. DO NOT USE WATER, including wet dishcloths or towels—a violent steam explosion will result.
- D. Use an extinguisher ONLY if:
 - 1. You know you have a Class ABC extinguisher, and you already know how to operate it.
 - 2. The fire is small and contained in the area where it started.
 - 3. The fire department is being called.
 - 4. You can fight the fire with your back to an exit.

*Based on "[Kitchen Fire Safety](#)" published by NFPA.

READ AND SAVE THESE INSTRUCTIONS

IMPORTANT SAFETY INFORMATION

READ ALL INSTRUCTIONS BEFORE USING

▲WARNING TO REDUCE THE RISK OF A RANGE TOP GREASE FIRE:

- A. Never leave surface units unattended at high settings. Boilovers cause smoking and greasy spillovers that may ignite. Heat oils slowly on medium settings.
- B. Always turn hood ON when cooking at high heat or when flambéing food (i.e. Crepes Suzette, Cherries Jubilee, Peppercorn Beef Flambé).
- C. Clean ventilating fans frequently. Grease should not be allowed to accumulate on fan or filter.
- D. Use proper pan size. Always use cookware appropriate for the size of the surface element.

▲WARNING TO REDUCE THE RISK OF FIRE, ELECTRIC SHOCK OR INJURY TO PERSONS, OBSERVE THE FOLLOWING:

- A. Installation work and electrical wiring must be done by qualified person(s) in accordance with all applicable codes and standards, including fire-rated construction.
- B. Sufficient air is needed for proper combustion and exhausting of gases through the flue (chimney) of fuel burning equipment to prevent back drafting. Follow the heating equipment manufacturer's guidelines and safety standards such as those published by the National Fire Protection Association (NFPA), the American Society for Heating, Refrigeration and Air Conditioning Engineers (ASHRAE) and the local code authorities.

- C. When cutting or drilling into wall or ceiling, do not damage electrical wiring and other hidden utilities.
- D. Ducted fans must always be vented to the outdoors.
- E. When applicable, install any makeup (replacement) air system in accordance with local building code requirements. Visit GEAppliances.com for available makeup air solutions.
- F. Turn off breaker to adjacent rooms while working.

▲WARNING TO REDUCE THE RISK OF FIRE, USE ONLY METAL DUCTWORK.

- Do not attempt to repair or replace any part of your hood unless it is specifically recommended in this manual. All other servicing should be referred to a qualified technician.

How to Remove Protective Shipping Film and Packaging Tape

Carefully grasp a corner of the protective shipping film with your fingers and slowly peel it from the appliance surface. Do not use any sharp items to remove the film. Remove all of the film before using the appliance for the first time.

To assure no damage is done to the finish of the product, the safest way to remove the adhesive from packaging tape on new appliances is an application of a household liquid dishwashing detergent. Apply with a soft cloth and allow to soak. **NOTE:** If surface is still not clean, see page 8 for more cleaning options.

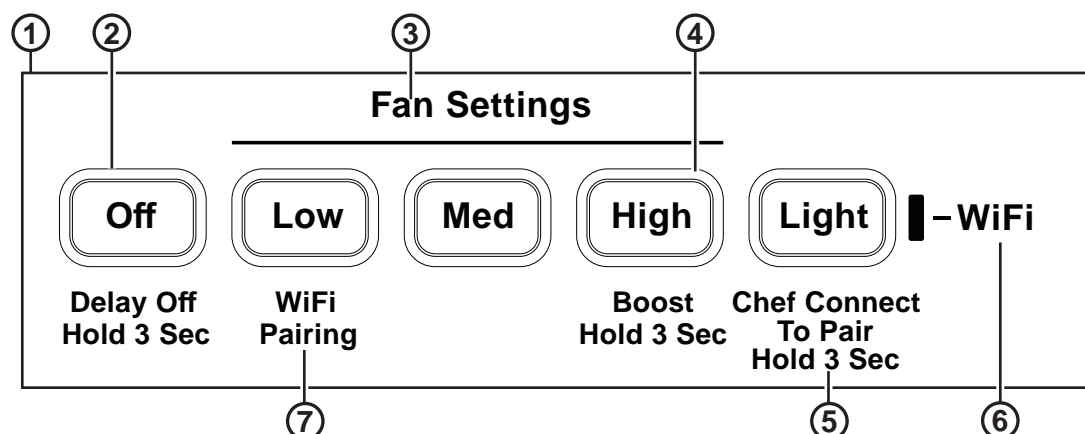
NOTE: The adhesive must be removed from all parts.

PROPER DISPOSAL OF YOUR APPLIANCE

Dispose of or recycle your appliance in accordance with Federal and Local Regulations. Contact your local authorities for the environmentally safe disposal or recycling of your appliance.

READ AND SAVE THESE INSTRUCTIONS

Controls



- 1. Rangehood Control Panel:** The control panel is located under the front edge of the canopy. The position and function of each control button are noted below.
- 2. Fan On/Off:** On/Off switch for the fan. The fan can be operated by pressing any of the fan setting buttons. Hold **Power** for 3 seconds to activate Delay Off feature, which automatically turns the fan off after 15 minutes. Low, Med and High buttons LEDs will rolling blink to indicate Delay Off feature is activated.
- 3. Fan Settings:** Speed control for fan. Fan speed is powered by **QuietBoost™ Technology**. This unique technology is designed to minimize ventilation noise and enhance motor efficiency for a peacefully-quiet, odor-free kitchen. Press the button **Low** for LOW speed, **Med** for MEDIUM speed, and **High** for HIGH speed. Hold down the High button for 3 seconds to activate the Boost speed that will run for 15 minutes. High button LED will blink on/off to indicate Boost feature is activated.
- 4. Light:** Off/On/Night Light switch for the LED lights. Press the **Light** button to turn the lights on, again to set the lights to night light setting, and again to turn the lights off.
- 5. Chef Connect:** This is a Bluetooth® pairing feature for use with other compatible Chef Connect enabled products on a cooktop or range. When the device is paired, the default sync settings will be activated upon receiving a command from the range or cooktop. To change the default sync setting, refer to the Chef Connect section.
To pair devices, hold down the **Light** button for 3 seconds. To turn it back off, hold the button down for another 3 seconds. See the Chef Connect section for more details.
- 6. IR Sensor:** Remote control receiver when used with remote control kit.
- 7. Wi-Fi:** Hold down the Low button for 3 seconds to initiate the Wi-Fi connection. The Wi-Fi indicator light turns on when connected, see the Wi-Fi Connect section for details.

Chef Connect

Chef Connect Operation Bluetooth® Connection

To pair with another device:

To start the pairing process on the hood, press and hold the **Light** button for 3 seconds. The backlight for all the icons will flash until the hood is paired with the range or other device. If the pairing is successful, the backlights of all buttons will flash simultaneously three times and then turn off. The hood lights and fan default sync setting will be activated.

It will time out after 2 minutes if the pairing is not completed, after which the pairing sequence will need to be restarted.

To cancel pairing:

To cancel the pairing, hold the **Light** button down for 3 seconds and then turn off the hood.

Default Sync Settings:

The factory default setting for the light will be the brightest.

The factory default setting for the fan sync will be **OFF**.

The user can change the Default Sync Settings by pressing and holding the **Med** button for 3 seconds. This will enter the Default Settings Mode. Once in this mode, the backlights for all buttons will blink on/off indefinitely and the fan and light will switch to the current Default Sync Setting, so the user knows what the current default value is. At this time, set the light and fan to the desired default levels. Once the user is satisfied with the selection, press and hold the **Power** button for 3 seconds. This will exit this mode. At that time the backlights will stop blinking and the state of the fan and light will change back to their prior state before entering the Default Settings Mode.

Wi-Fi Connect

Connecting your Wi-Fi Connect Enabled hood (on some models)

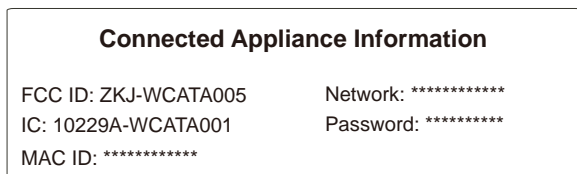
Your GE Appliances hood is designed to provide you with two-way communication between your appliance and smart device. By using the GE Appliances Wi-Fi Connect features, you will be able to control essential hood operations such as fan speed, light functions, delay off and filter notification using your smartphone or tablet.

This device complies with part 15 of the FCC Rules. Operation is subject to the following two conditions: (1) This device may not cause harmful interference, and (2) this device must accept any interference received, including interference that may cause undesired Operation.

What you will need

Your GE Appliances hood uses your existing home Wi-Fi network to communicate between the appliance and your smart device. In order to setup your GE Appliances hood, you will need to gather some information:

1. Each GE Appliances hood has a connected appliance information label that includes an Appliance Network Name and Password. These are the two important details that you will need to connect to the appliance. The label is located on the side of the unit behind the filters.



Sample Label

2. Have your smart phone or tablet ready with the ability to access the internet and download apps.
3. You will need to know the password of your home Wi-Fi router. Have this password ready while you are setting up your GE Appliances hood.

Connect your GE Appliances hood

1. On your smart phone or tablet visit **GEAppliances.com/connect** to learn more about connected appliance features and to download the appropriate app.
2. Follow the app onscreen instructions to connect your GE Appliances hood.
3. Once the process is complete, the indicator light located on your GE Appliances hood display will stay on solid and the app will confirm you are connected.
4. If the indicator light does not turn on or is blinking, follow the instructions on the app to reconnect. If issues continue please call 800.220.6899 and ask for assistance regarding hood wireless connectivity.

To connect additional smart devices, repeat steps 1 and 2.

Note that any changes or modifications to the remote enable device installed on this hood that are not expressly approved by the manufacturer could void the user's authority to operate the equipment.

Enhanced Wi-Fi Features

Once your product is connected to Wi-Fi, you have access to enhanced features via the phone app.

Delay Off Timer: This feature allows the user to adjust delay off time from 1 minute to 15 minutes. The default delay off time is 15 minutes.

Boost Timer: This feature allows the user to adjust the boost time from 1 minute to 15 minutes. The default boost time is 15 minutes

Night Light Timer: This feature allows the user to set time for the night light to turn on and off automatically.

Grease/Charcoal Filter Notifications: This feature sends a regular reminder to the user to clean their grease filters, and/or to replace their charcoal filter, if the hood is setup in recirculation mode.

Filters

Be sure the circuit breaker is off and all surfaces are cool before cleaning or servicing any part of the vent hood.

Grease Filter

The filter traps grease released by foods from cooking. The filters must ALWAYS be in place when the hood is in use. The grease filters are dishwasher-safe and should be cleaned every month, or as needed.

To remove:

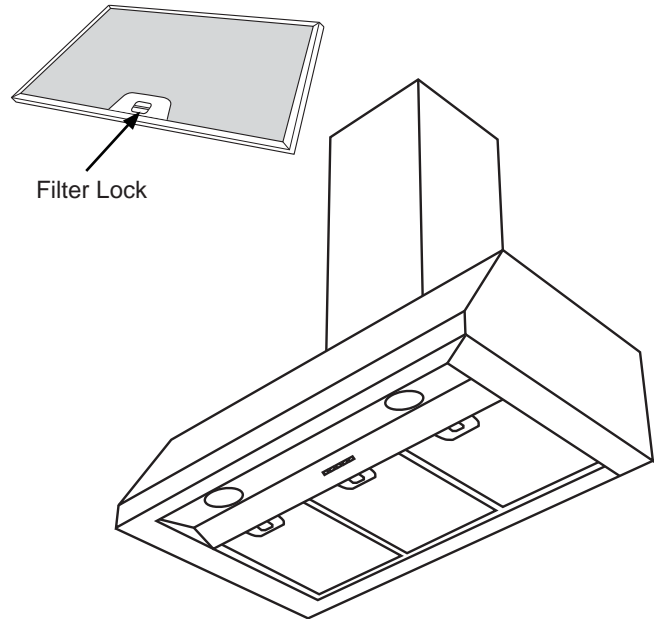
Pull downward on the filter lock to release the filter.

To replace:

Fit the tabs at the bottom of the filter behind the ledge of the filter opening. Lift up the front side of the filter, push downward on the filter lock, and push gently until the filter is in place. Release the filter lock to secure the filter in place.

To clean, swish the filter in hot soapy water and rinse in clean water or wash it in the dishwasher. Do not use abrasive cleansers.

NOTE: Some discoloration may occur to the grease filters in the dishwasher.



Charcoal Filter (for recirculation installation only)

NOTE: DO NOT rinse, or put charcoal filter in an automatic dishwasher.

The charcoal filter is NOT included with the unit. Order charcoal filter UXCF91. It cannot be cleaned; it must be replaced. It is recommended that the charcoal filter be replaced every 6 months or if it is noticeably dirty or discolored.

To reduce the risk of fire and shock, when used in recirculation mode, use only charcoal filter UXCF91.

To inquire about purchasing replacement charcoal filters or to find the location of a dealer nearest you, please call our toll-free number:

National Parts Center 800.626.2002

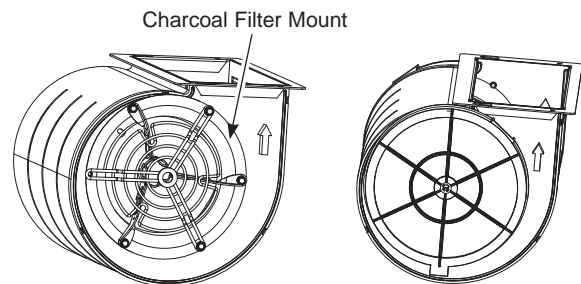
To Install

1. Remove the grease filters. See Filters section.
2. Install the charcoal filter mounts to either side of the motor using three screws per side.

3. Insert the tab on the charcoal filter into the triangular slot on the mount.
4. Clip the charcoal filter in until it is locked
5. Repeat with second filter on the other side of the motor.
6. Reattach the metal filters. See Filters section.

To Remove

1. Remove grease filters-See Filters section
2. Unclip the charcoal filter by pressing the release clip.
3. Carefully remove charcoal filter from tab.



Surfaces

Stainless Steel Surfaces (on some models)

Do not use a steel wool pad; it will scratch the surface.

To clean the stainless steel surface, use warm sudsy water or a stainless steel cleaner or polish. Always wipe the surface in the direction of the brush line. Follow the cleaner instructions for cleaning the stainless steel surface. Cleaners with oxalic acid such as **Bar Keepers Friend Soft Cleanser™** will remove surface rust, tarnish, and small blemishes. Use only a liquid cleanser free of grit and rub in the direction of the brush lines with a damp soft sponge.

To inquire about purchasing stainless steel appliance cleaner or polish, or to find the location of a dealer nearest you, please call our toll-free number:

National Parts Center

800.626.2002

GEApplianceParts.com

Lights

To change the LED lamps, schedule a service appointment. See Consumer Support page in the front of this manual for a list of websites and contact information.

Installation Instructions

Range Hoods

? "If you have questions, call GE Appliances at 800.GE.CARES (800.432.2737) or visit our website at: GEAppliances.com"

BEFORE YOU BEGIN

Read these instructions completely and carefully.

- **IMPORTANT** — Save these instructions for local inspector's use.
- **IMPORTANT** — Observe all governing codes and ordinances.
- **Note to Installer** – Be sure to leave these instructions with the Consumer.
- **Note to Consumer** – Keep these instructions for future reference.
- **Skill level** – Installation of this vent hood requires basic mechanical and electrical skills.
- **Completion time** – Approximately 1 to 3 hours
- Proper installation is the responsibility of the installer.
- Product failure due to improper installation is not covered under the Warranty.

▲ CAUTION Due to the weight and size of these vent hoods and to reduce the risk of personal injury or damage to the product, **TWO PEOPLE ARE REQUIRED FOR PROPER INSTALLATION.**

FOR YOUR SAFETY

▲ WARNING Before beginning the installation, switch power off at service panel and lock the service disconnecting means to prevent power from being switched on accidentally. When the service disconnecting means cannot be locked, securely fasten a prominent warning device, such as a tag, to the service panel.

▲ WARNING TO REDUCE THE RISK OF FIRE, ELECTRIC SHOCK OR INJURY TO PERSONS, OBSERVE THE FOLLOWING:

- A. Installation work and electrical wiring must be done by qualified person(s) in accordance with all applicable codes and standards, including fire-rated construction.
- B. Sufficient air is needed for proper combustion and exhausting of gases through the flue (chimney) of fuel burning equipment to prevent back drafting. Follow the heating equipment manufacturer's guidelines and safety standards such as those published by the National Fire Protection Association (NFPA), the American Society for Heating, Refrigeration and Air Conditioning Engineers (ASHRAE) and the local code authorities.
- C. When cutting or drilling into wall or ceiling, do not damage electrical wiring and other hidden utilities.
- D. Ducted fans must always be vented to the outdoors.
- E. Turn off breaker to adjacent rooms while working.

▲ WARNING TO REDUCE THE RISK OF FIRE, USE ONLY METAL DUCT WORK.

▲ WARNING Disconnect all electrical power at the main circuit breaker or fuse box before installing.

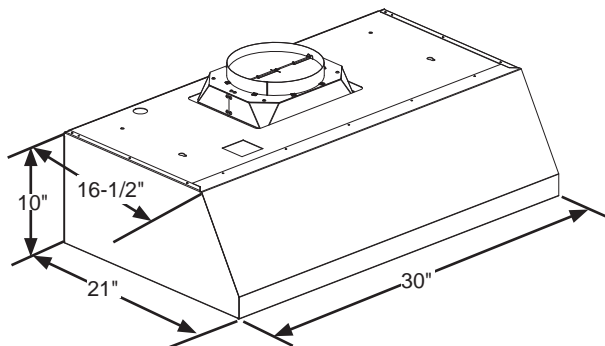
OPTIONAL POWER CORD KIT JXHC1

An optional power cord kit, model JXHC1, is available at extra cost from your GE Appliances supplier for installation using a standard 3-prong, grounded wall outlet. Follow the installation instructions packed with the kit to connect the power cord to the range hood.

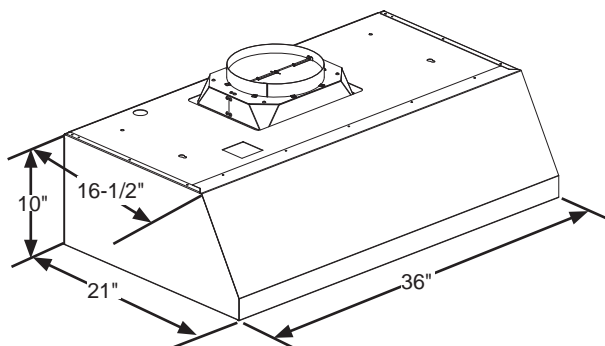
Installation Preparation

PRODUCT DIMENSIONS

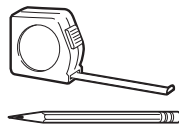
30" Models
Requires a 30" opening.



36" Models
Requires a 36" opening.



TOOLS AND MATERIALS REQUIRED (NOT SUPPLIED)



Pencil and tape measure



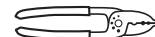
Safety glasses



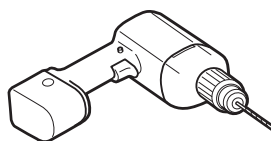
Phillips screwdriver with at least 6" shank



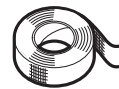
Level



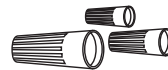
Wire cutter/stripper



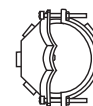
Electric drill with #2 Phillips and 1/8" and 5/16" drill bits



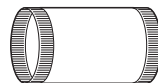
Aluminized duct tape



UL listed wire nuts



Strain relief for junction box



8" round duct



Gloves

REMOVE THE PACKAGING

⚠ CAUTION Wear gloves to protect against sharp edges.

- Remove the hardware bag, literature package and other boxed parts.
- Remove and properly discard the protective plastic wrapping and other packaging materials.
- Consider recycling options for your appliance packaging material.

Installation Preparation

PLAN THE INSTALLATION

▲ CAUTION To reduce risk of fire and to properly exhaust air, be sure to duct the air outside. Do not vent exhaust air into spaces within walls or ceilings or into attics, crawl spaces, or garages.

PARTS SUPPLIED FOR INSTALLATION

- 1 Hardware Package
- 1 Literature Package
- 1 Installation Template

PARTS NEEDED FOR INSTALLATION

- 1 Strain Relief
- 1 Wall or Roof Cap (for vented installation only)
- All Metal Ductwork

▲ WARNING

PERSONAL INJURY HAZARD

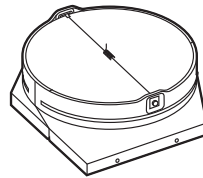
Because of the weight and size of the rangehood canopy. It is recommended that 2 people are used to install the range hood. Failure to properly lift rangehood could result in damage to the product or personal injury.

NOTE: This rangehood can be installed as either ducted or recirculation. In a ducted application, this rangehood can be vented through the wall or ceiling. When installed for recirculation, the rangehood vents out the sides of the duct cover.

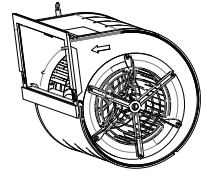
NOTE: Before making any cuts or holes for installation, determine which venting method will be used and carefully calculate all measurements.

PARTS PROVIDED

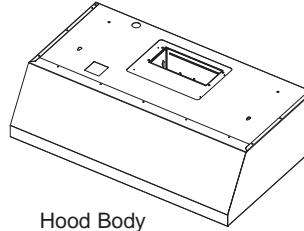
Locate the parts packed with the hood.



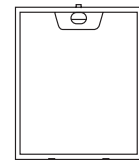
Top Damper



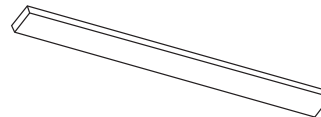
Motor



Hood Body



2 Grease Filters
(3 with 36" model)



Wooden Installation Bar

HARDWARE PACKAGE

Locate and check contents.



A



(QTY: 4) 8 x 1-3/4" AB Screw. Used to mount the installation bar. Use 1/8" drill for pilot hole.

B



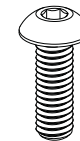
(QTY: 4) 2.9mm x 6mm PZ screws. Used to attach the damper

C



(QTY: 2) 3/16" dry wall anchors with screws. Used for hood bottom mounting screw holes. Use 5/16" drill for pilot hole.

D

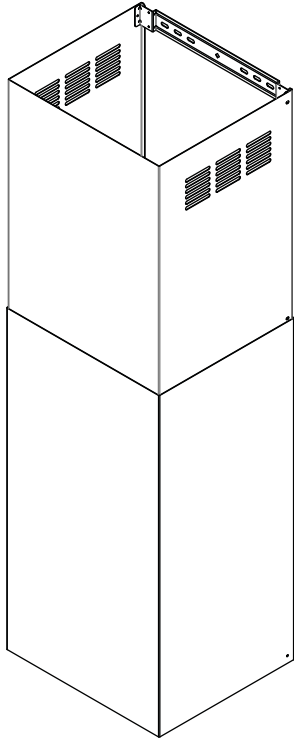


(QTY: 4) M4 screws. Used to mount motor

Installation Preparation

DUCT COVER REQUIREMENTS

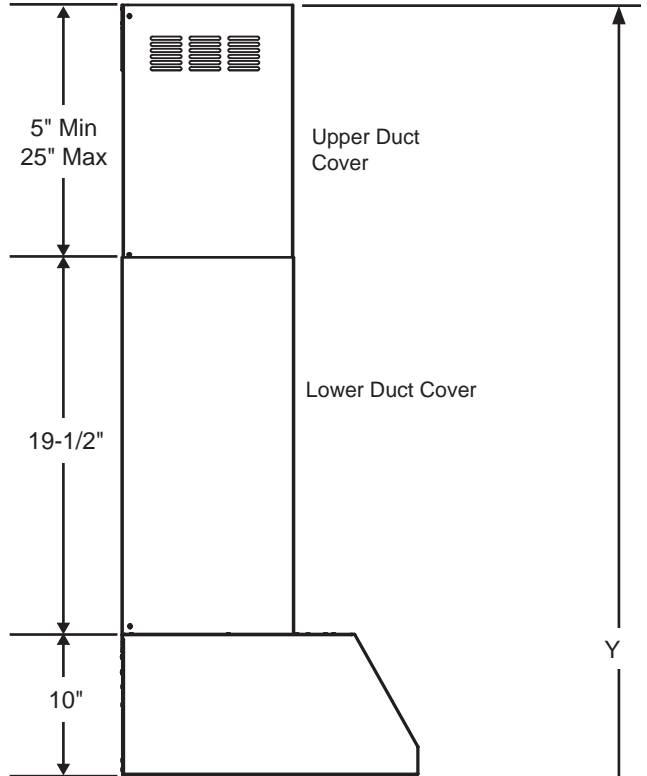
Duct Cover Kit must be purchased separately. We recommend that the vent hood and duct cover (if used) be on site before final framing and wall finishing. This will help to accurately locate studs, ductwork, and electrical service.



- Duct cover accessory comes with a lower and upper duct cover and installation hardware.
- The installation hardware includes mounting brackets to secure duct covers to the wall.
- When not recirculating, holes can be hidden by turning the upper duct cover upside-down.
- For ceiling installations up to 10' 8", use the 10' High Ceiling Duct Cover kit CX10DC9SPSS.
- For higher ceiling installations up to 12' 8", use the 12' High Ceiling Duct Cover kit CX12DC9SPSS.
- See the next page for duct cover installation height information.

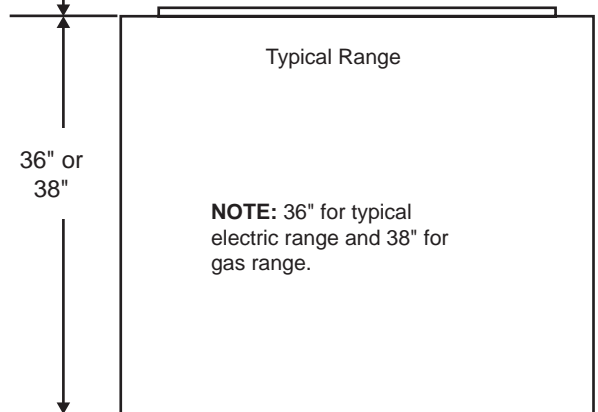
INSTALLATION DIMENSIONS

The hood duct covers can be adjusted for different ceiling heights depending on the distance between the bottom of the hood and the cooktop (distance X). See Installation Height Table on the next page.



Required Min & Recommended Max Ceiling Height Examples for 10' Duct Cover Kit (Vented)		
Electric	Gas	
X = 24"	X = 30"	X = 36"
Min Y = 7' 6"	Min Y = 8' 2"	Min Y = 8' 8"
Max Y = 9' 2"	Max Y = 9' 10"	Max Y = 10' 4"

X = Distance from hood to cooktop. (Varies depending on the installation) Required 24" minimum over electric range or 30" minimum over gas range. The recommended maximum is 36".



Installation Preparation

INSTALLATION HEIGHT TABLE									
CX10DC9SPSS					CX12DC9SPSS				
High Ceiling Duct Cover up to 10 ft.					High Ceiling Duct Cover up to 12 ft.				
Installation Over Gas Range			Installation Over Electric Range		Installation Over Gas Range			Installation Over Electric Range	
Ceiling Height (ft./in.)	Recirculation Installation Height	Vented Installation Height (Recirculation holes hidden)	Recirculation Installation Height	Vented Installation Height (Recirculation holes hidden)	Ceiling Height (ft./in.)	Recirculation Installation Height	Vented Installation Height (Recirculation holes hidden)	Recirculation Installation Height	Vented Installation Height (Recirculation holes hidden)
7' 6"				24	8' 7"				24
7' 7"				24-25	8' 8"				24-25
7' 8"				24-26	8' 9"				24-26
7' 9"				24-27	8' 10"				24-27
7' 10"				24-28	8' 11"			24	24-28
7' 11"			24	24-29	9' 0"			24-25	24-29
8' 0"			24-25	24-30	9' 1"			24-26	24-30
8' 1"			24-26	24-31	9' 2"			24-27	24-31
8' 2"		30	24-27	24-32	9' 3"		30	24-28	24-32
8' 3"		30-31	24-28	24-33	9' 4"		30-31	24-29	24-33
8' 4"		30-32	24-29	24-34	9' 5"		30-32	24-30	24-34
8' 5"		30-33	24-30	24-35	9' 6"		30-33	24-31	24-35
8' 6"		30-34	24-31		9' 7"	30	30-34	24-32	
8' 7"	30	30-35	24-32		9' 8"	30-31	30-35	24-33	
8' 8"	30-31		24-33		9' 9"	30-32		24-34	
8' 9"	30-32		24-34		9' 10"	30-33		24-35	
8' 10"	30-33		24-35	24-36	9' 11"	30-34			
8' 11"	30-34				10' 0"	30-35			
9' 0"	30-35				10' 1"				
9' 1"					10' 2"				
9' 2"					10' 3"				
9' 3"		30-36	24-36		10' 4"				24-36
9' 4"					10' 5"				
9' 5"					10' 6"				
9' 6"					10' 7"				
9' 7"			25-36	29-36	10' 8"			24-36	
9' 8"			26-36	30-36	10' 9"				
9' 9"			27-36	31-36	10' 10"		30-36		
9' 10"			28-36	32-36	10' 11"				
9' 11"		31-36	29-36	33-36	11' 0"				
10' 0"		32-36	30-36	34-36	11' 1"				
10' 1"		33-36	31-36	35-36	11' 2"	30-36			
10' 2"		34-36	32-36	36	11' 3"				
10' 3"	31-36	35-36	33-36		11' 4"				25-36
10' 4"	32-36	36	34-36		11' 5"				26-36
10' 5"	33-36		35-36		11' 6"				27-36
10' 6"	34-36		36		11' 7"			25-36	28-36
10' 7"	35-36				11' 8"			26-36	29-36
10' 8"	36				11' 9"			27-36	30-36
					11' 10"			28-36	31-36
					11' 11"			29-36	32-36
					12' 0"			31-36	33-36
					12' 1"			32-36	34-36
					12' 2"			33-36	35-36
					12' 3"	31-36	34-36	33-36	36
					12' 4"	32-36	35-36	34-36	
					12' 5"	33-36	36	35-36	
					12' 6"	34-36		36	
					12' 7"	35-36			
					12' 8"	36			

Installation Preparation

ADVANCE PLANNING

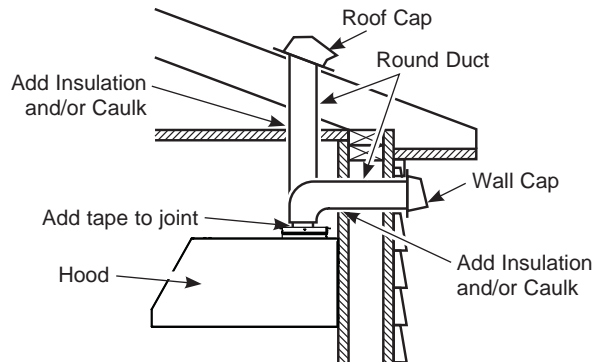
Duct Install Planning

- This hood is designed to be vented vertically through the ceiling with a 8" round duct or backwall using an 90° elbow and 8" round duct.
- Use metal ductwork only.
- Plan the route for venting exhaust to the outdoors. To maximize the ventilation performance of the vent system:
 1. Minimize the duct run length and number of transitions and elbows.
 2. Maintain a constant duct size.
 3. Seal all joints with duct tape to prevent any leaks.

NOTE: Flexible vent is not recommended. Flexible vent creates back pressure and air turbulence that greatly reduces performance.

- Maximum equivalent duct length for 100 CFM: 150 foot for vent hoods.
- Install a wall cap or roof cap with damper at the exterior opening. Purchase the wall or roof cap and any transition and length of duct needed in advance.
- When applicable, install any makeup (replacement) air system in accordance with local building code requirements. Use makeup air kit JXMUA8.

Vent system can terminate either through the roof or the wall. To vent through a wall, a 90° elbow is needed and installed immediately above the hood.



Recirculation Install Planning

A recirculation duct and charcoal filter are necessary for recirculation installation and must be purchased separately.

Power Supply Planning

The location of the power supply connection is called out in the section, House Wiring Location

POWER SUPPLY

IMPORTANT – (Please read carefully)

⚠ WARNING

FOR PERSONAL SAFETY, THIS APPLIANCE MUST BE PROPERLY GROUNDED.

Remove house fuse or open circuit breaker before beginning installation.

Do not use an extension cord or adapter plug with this appliance. Follow National Electrical Codes or prevailing local codes and ordinances.

Electrical supply

These vent hoods must be supplied with 120V, 60Hz, and connected to a properly grounded branch circuit, and protected by a 15 or 20 amp circuit breaker or time delay fuse.

- Wiring must be 2 wire with ground.

- If the electrical supply does not meet the above requirements, call a licensed electrician before proceeding.
- Route house wiring as close to the installation location as possible in the ceiling or wall.
- Connect the wiring to the house wiring in accordance with local codes.

Grounding instructions

The grounding conductor must be connected to a ground metal, permanent wiring system, or an equipment-grounding terminal or lead on the hood.

⚠ WARNING

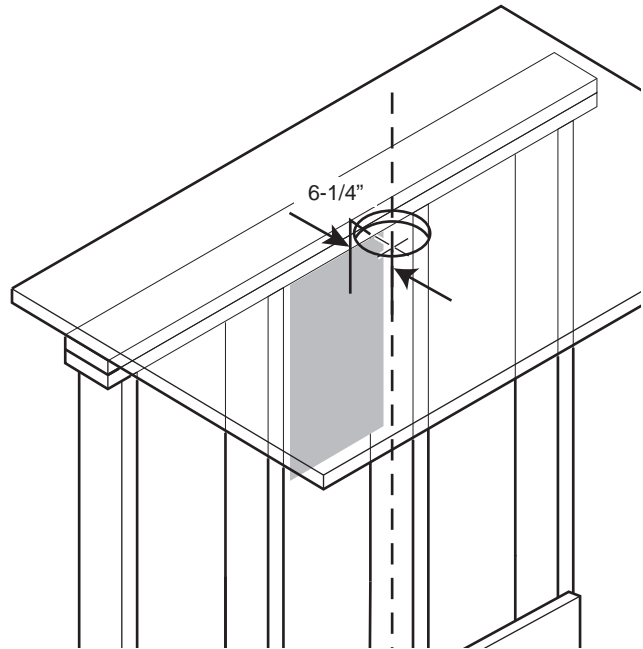
The improper connection of the equipment-grounding conductor can result in a risk of electric shock. Check with a qualified electrician or service representative if you are in doubt whether the appliance is properly grounded.

Installation Preparation

NEW CONSTRUCTION, PRE-PLANNING, OR REMODELING

NOTE: For existing construction, skip to the section below.

- For ducted installation through the top, the 8" diameter hole for the duct in the ceiling must be centered 6-1/4" away from the finished rear wall in the installation space
- The hood junction box knockout is located 10-1/2" to the left from center of the hood. Ensure enough wire length is available to make electrical connection.



DETERMINE HOOD, DUCTWORK AND WIRING LOCATIONS

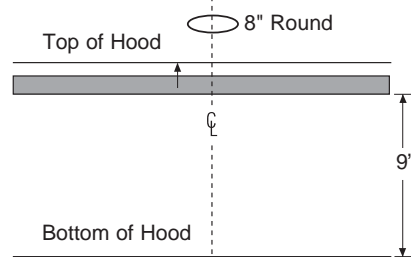
- This hood can be installed onto the wall or underneath the soffit or cabinet.
- For installing the hood to soffit or cabinet, refer to page 18 for alternate mounting method."
- Measure desired distance from the bottom of the hood to the cooking surface, 24" minimum over electric range or 30" minimum over gas range, and 36" recommended maximum.
- Use a level to draw a horizontal line indicating the bottom of the hood.
- Use a level to draw the cooktop or range centerline location.
- Measure 9" up from the horizontal line for the bottom of the hood. Draw another horizontal line to indicate the bottom of the installation bar.

For Vertical (Straight Up) Ducting:

- If venting out the ceiling, extend the centerline forward on the ceiling.
 - Measure 6-1/4" from drywall to mark center point for an 8" diameter duct hole on the ceiling.
 - Cut an 8" dia. duct hole on the ceiling

Venting Through a Soffit or Cabinet:

- Follow the same procedure for vertical (straight-up) ducting through the top of the soffit or cabinet.



For Ducting Through Rear Wall:

NOTE: In order to vent through the rear wall, a 90° elbow is needed and installed above the hood damper.

- Measure the height from the top of the hood to the center of the elbow.
- Draw a horizontal line on the wall intersecting the centerline.
- Cut an 8" diameter hole at the intersection point for ducting.

Installation Preparation

DETERMINE HOOD, DUCTWORK AND WIRING LOCATIONS (Cont.)

House Wiring Location:

- The junction box is located inside the hood body on the left side. See Illustrations for hood knockout locations.

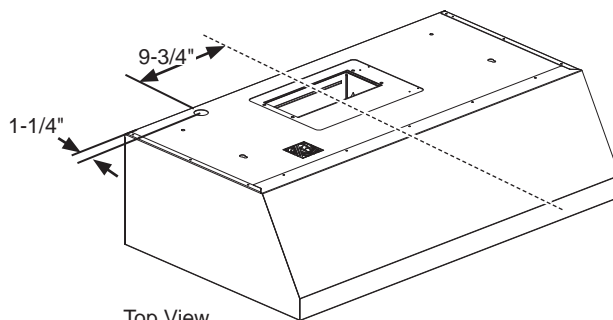
House wiring may enter the junction box from the rear or the top of the hood at the right side.

To route house wiring through the ceiling,soffit, or cabinet:

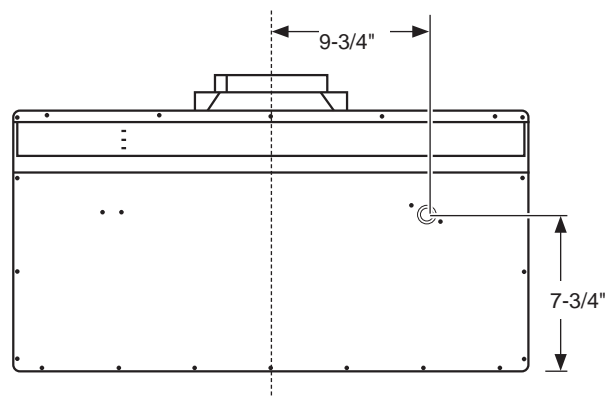
- Cut a hole approximately 1-1/4" dia., forward on the ceiling at a distance 9-3/4" to the left of the centerline.

To route house wiring through the wall:

- Measure 7-3/4" from the bottom of the hood. and mark location.
- Cut a hole approximately 1-1/4" dia., at the marked location at a distance 9-3/4" to the left of the centerline.
- Remove top or rear knockout depending on your installation.



Top View



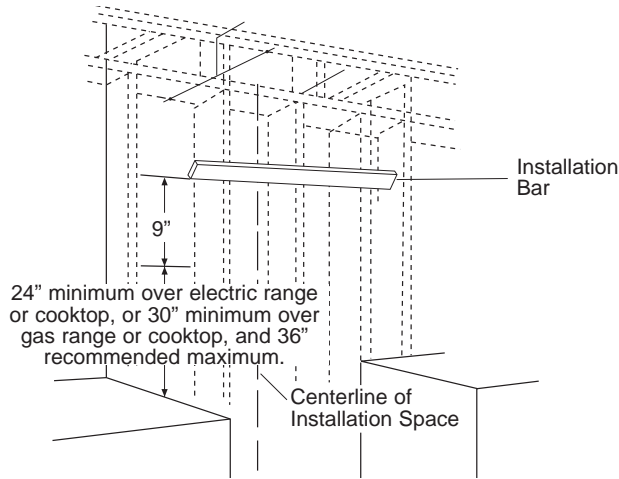
Rear View

Installation Instructions

1 INSTALL HOOD SUPPORT

IMPORTANT: Framing must be capable of supporting 100 lbs.

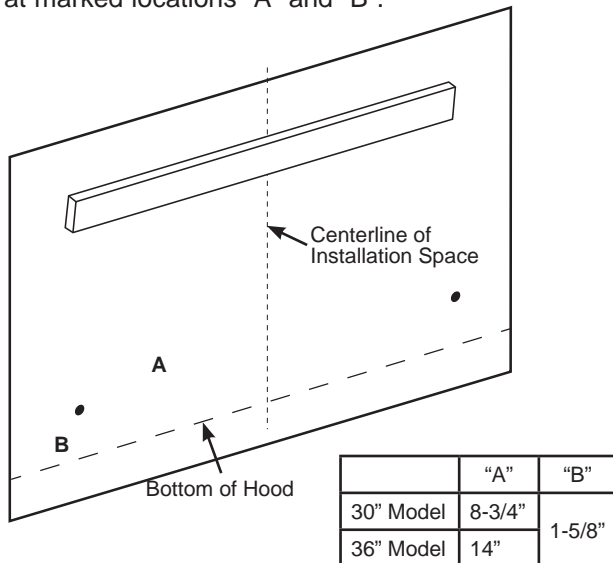
- Locate at least 2 vertical studs for the installation bar by tapping drywall with a hammer or use a stud finder.
- Level the installation bar and center left to right above the marked line. Hold bar against the wall.



- Drill 1/8" pilot holes at the 2 vertical stud locations through holes in the installation bracket. Secure the installation bar with supplied screws (A) as shown above.

Drill Bottom Mounting Hole Locations:

- Hang hood on installation bar or use the table below to mark the screw hole locations. **NOTE:** if installing to the soffit or cabinet, push hood flush to the soffit or cabinet before marking screw hole locations.
- Remove the hood and drill 5/16" clearance holes at marked locations "A" and "B".



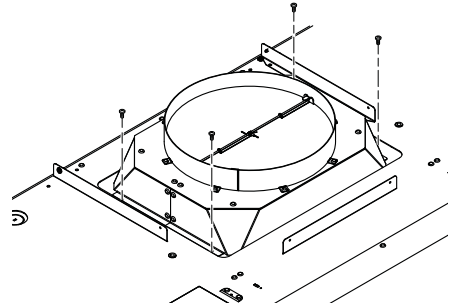
1 INSTALL HOOD SUPPORT (cont)

- Install wall anchors (C) by tapping the anchors with a hammer to seat the teeth of the flanges into the wall. This keeps anchor from rotating.
- Drive the anchor screws until the barrels crimp against the inside of the wall.
- Remove the screws from the wall anchors before installing the hood.

2 INSTALL DAMPER

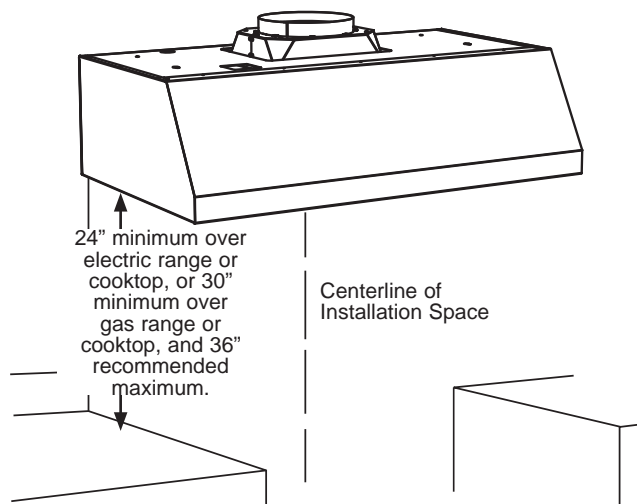
IMPORTANT: Remove shipping tape from damper and check that the damper moves freely.

- Install the damper to the hood body using screws (B) from the top of the hood, as shown in image below.
- Use duct tape to seal the connection.



3 INSTALL HOOD ONTO WALL

- Pull house wiring through knockout at the back or top of the hood.
- Lift the hood and place over the hooks on the installation bar. Allow the hood to slide down into position.
- Check to be sure the hood is level and centered.
- Tighten wall anchor screws (C) to finish hood body installation to the wall.
- Remove cover from junction box inside the hood.



Installation Instructions

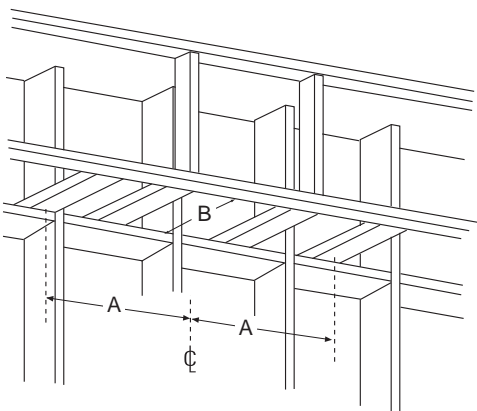
4 (Alternate Mounting Method) INSTALL HOOD TO SOFFIT OR CABINET

SKIP THIS STEP IF USING WALL MOUNTING METHOD

IMPORTANT: Soffit or cabinet framing must be capable of supporting 100 lbs.

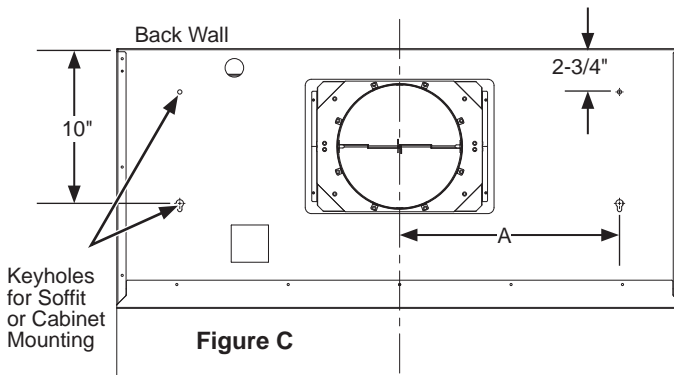
When necessary the hood may be installed so that it is supported by the soffit or cabinet.

- The soffit should be constructed with 2"x4"s.
- Use a level to draw the cooktop or range center line.
- Continue the centerline forward on the bottom of the soffit.
- Install horizontal wood supports between the 2"x4", at distance A to the left and right, as per the table below.

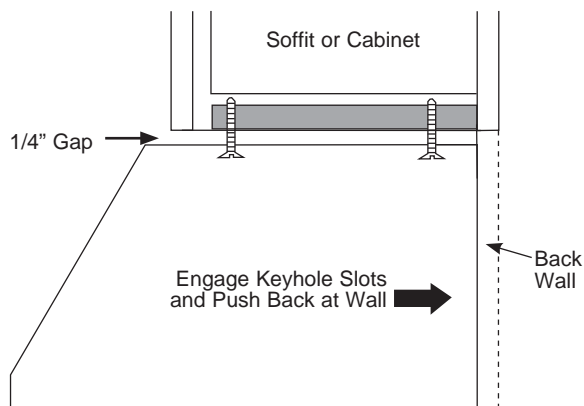


	"A" Centerline to Center of Stud	"B" Opening for Ductwork
30" Models	8-3/4"	8-3/8" x 11-1/4"
36" Models	14"	

- Drill two 1/8" pilot holes at a distance of 10" from the back wall in the horizontal wood supports. This is the vertical distance between mounting keyholes and back wall as shown in Figure C.
- Drill two more 1/8" pilot holes at a distance of 2-3/4" from the back wall in the horizontal wood supports. This is the vertical distance between mounting screw holes and back wall as shown in Figure C.
- For top venting, allow minimum opening (Dim. B) to accommodate damper in soffit or cabinet.



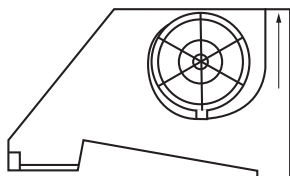
- Drive mounting Screws (A) into the studs until they protrude 1/4". This 1/4" gap will provide clearance to engage the keyhole slots in the top of the hood.
- The hood must also be secured to the back wall. Follow instructions on page 17, "**Drill Bottom Mounting Hole Locations**", for installation to the back wall.
- Follow instructions on page 16 "**House Wiring Locations**" for wiring setup.
- Lift hood onto mounting screws. Slide back against the rear wall.
- Pull house wiring through the knockout at the rear or top of the hood.
- Tighten mounting screws (A).
- Once the hood is secured to the soffit or cabinet, drive screws (C) to secure the hood to the back wall.



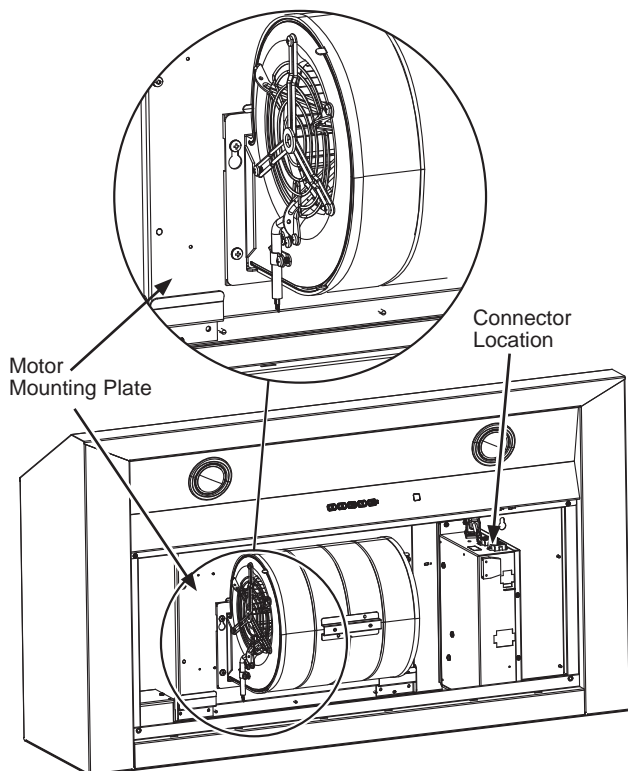
Installation Instructions

5 INSTALL MOTOR

1. Align the motor exhaust with the top damper as shown in figure below.



2. Secure the motor to motor mounting plate using screws (D).



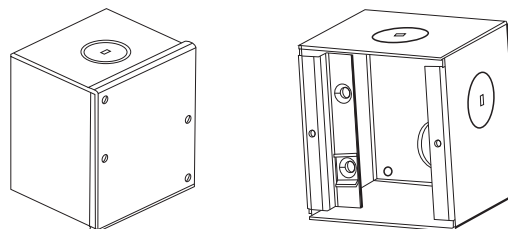
3. Plug the motor connector into the mating connector on top of the control housing.

6 CONNECT ELECTRICAL

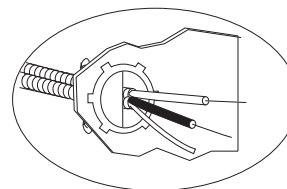
Verify that power is tured off at the source.

⚠ WARNING If house wiring is not 2-wire with a ground wire, a ground must be provided by the installer. When house wiring is aluminum, be sure to use UL approved anti-oxidant compound and aluminum-to-copper connections.

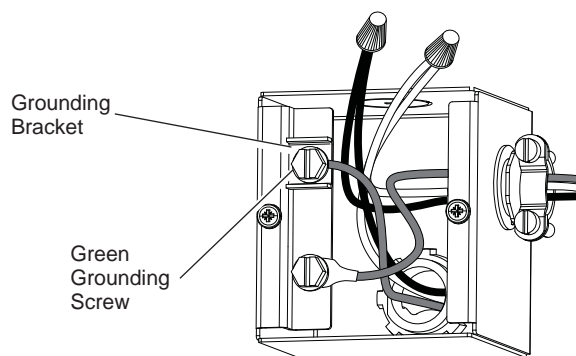
- Remove junction box cover.



- Pull the house wiring through the knockout at the top or back of the hood and secure with the strain relief.



- Use UL listed wire nuts to connect incoming white to white, and black to black wires.
- Loosen the green grounding screw (with grounding bracket) in the junction box. Loop solid copper house wire clockwise around the green grounding screw and above the bracket. Firmly tighten the screw over the loop.



- Replace junction box cover and ensure wires are not pinched.

NOTE:

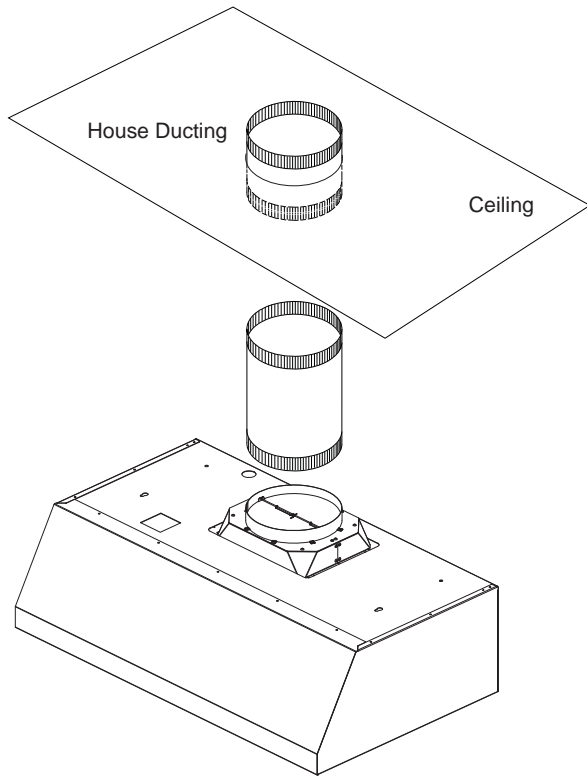
For corded installation: Use only with rangehood cord-connection kits that have been investigated and found acceptable for use with this model rangehood.

Installation Instructions

7 CONNECT DUCTWORK

A. Vented Installation

- Connect the house ducting to the top damper as shown in image below.
- Seal all connections with duct tape.

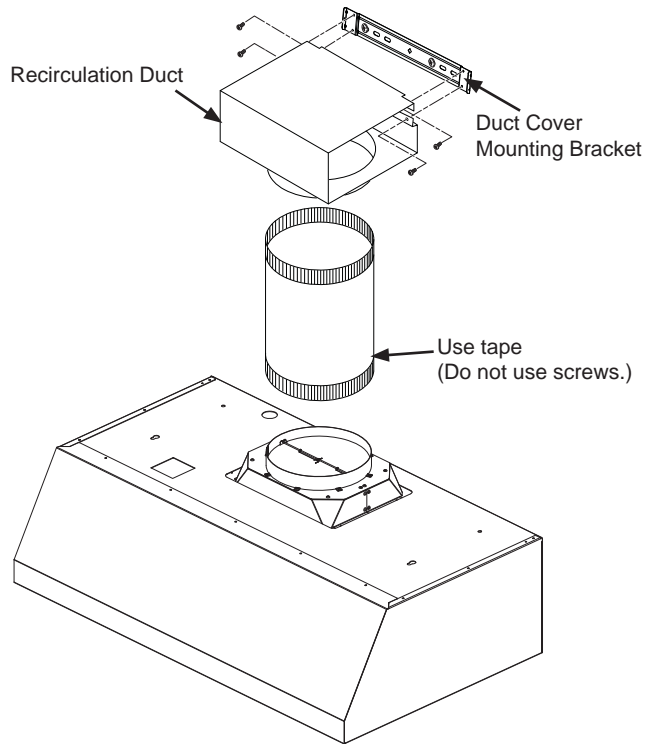


CAUTION Do not use sheet metal screws at the transition to ductwork connection. Doing so will prevent proper damper operations. Seal connection with tape only.

B. Recirculation (non-vented) Installation

NOTE: A recirculation duct (WB34X30519), and Charcoal Filter (UXCF91), are not included with the hood and are necessary for recirculation installation.

1. Attach the recirculation duct to the duct cover mounting bracket with screws provided.
2. Connect the ducting from the exhaust outlet on the hood to the recirculation duct. Use duct tape to seal the connections.



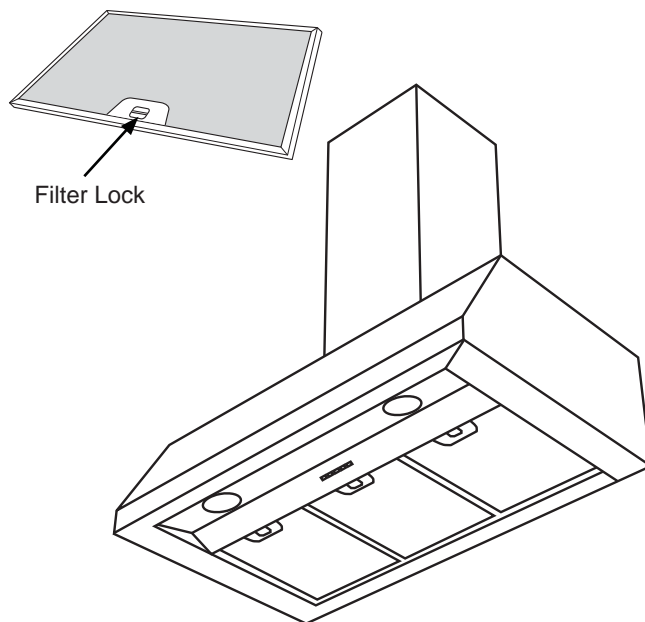
Installation Instructions

8 INSTALL DUCT COVERS

- Duct Cover Accessories are available at GEApplianceparts.com or by calling 877.959.8688. See Accessories on page 27.
- Follow instructions included with the duct cover accessory to install duct covers.

9 INSTALL FILTERS

- Follow instructions on page 7 “Filters” to install or remove filters.



Installation Instructions

MAKE UP AIR TECHNOLOGY

This operation must be performed by a qualified technician or installer.

Note to Installers and Inspectors : This product comes equipped with a simple installation feature that limits maximum CFM levels in order to comply with certain local codes or regulations. This installation method may not be necessary for all installations, please refer to your codes for further guidelines.

⚠ CAUTION

Hood must be disconnected from main power prior to performing the conversion instructions listed below. Failure to do so could result in personal injury or damage to the product.

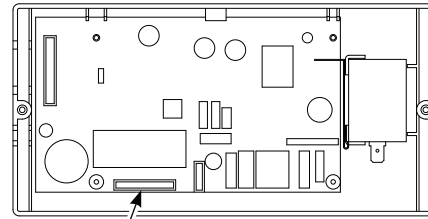
To modify unit (if needed for local codes!):

390CFM

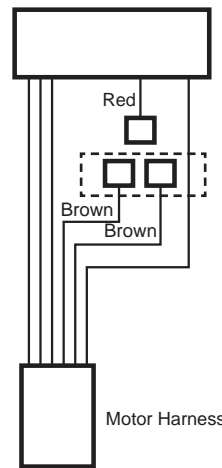
By design, the maximum blower speed is greater than 400 CFM. For local codes requiring reduced CFM, modify the wiring as described below:

1. Remove the grease filters.
2. Disconnect all the harnesses from the top control box located on right side of motor.
3. Loosen the screws on top of control box and slide out to remove it from the hood.
4. Uninstall the control box cover.
5. For a maximum of 390 CFM with 4 speeds (Low, Medium, High and Boost):
 - i. Disconnect connectors of the **BROWN** wire.
 - ii. Remove the cap attached to the connector of the **RED** wire.
 - iii. Connect the mating connector of the **BROWN** wire and the **RED** wire.
 - iv. Attach the cap to the open **BROWN** wire connector.
6. Install the control box and secure it to bracket in the hood using the two screws.
7. Connect all harnesses on top of the control box.
8. Reinstall the Grease filters.

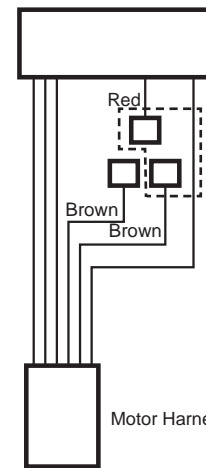
Note to Inspectors: To verify this product installation, check motor wiring connections as described above.



Motor Harness Connector



Factory Installed Wiring Setup



Max 390 CFM Boost Wiring Setup

Notes

Notes

Troubleshooting Tips ... Before you call for service

Save time and money! Review the charts on the following pages first and you may not need to call for service.

Problem	Possible Cause	What To Do
Fan/Light does not operate when button is turned ON	A house fuse may be blown or a circuit breaker tripped.	Replace fuse or reset circuit breaker.
Loud or abnormal airflow noise	Wrong duct size used in installation.	This hood requires 8" ducting to perform optimally. Using smaller duct pipe will cause reduced venting. Minimize the duct run length and number of transitions and elbows. GE Appliances service technicians cannot correct this issue if installed improperly.
Fan fails to circulate air or moves air slower than normal and/or fan is making loud or abnormal airflow noise	Obstructions in duct work.	Make sure nothing is blocking the vent. Make sure your wall or roof cap has a blade or door.
	Damper blade on wall or roof cap may not be open.	Make sure damper swings freely. Damper blades may flip over and will not fully open when this happens. Adjust to original position.
	Metal grease filter and charcoal filter (if present) may be dirty.	Clean the metal grease filter and replace charcoal filter (if present). See Care and Cleaning of the Vent Hood.
Fan keeps going off and on	The motor is probably overheating and turning itself off. This can be harmful to the motor.	Check to be sure the filters are clean. If off and on cycling continues, call for service.
Hood will not work remotely	Router issues, no wireless signal, etc.	For assistance with hood wireless network connectivity, please call 800.220.6899.
	Hood is not connected.	

GE Appliances Vented Range Hood Warranty

GEAppliances.com

All warranty service is provided by our Factory Service Centers, or an authorized Customer Care® technician. To schedule service online, visit us at GEAppliances.com/service_and_support/, or call GE Appliances at 800.GE.CARES (800.432.2737). Please have your serial number and your model number available when calling for service.

Servicing your appliance may require the use of the onboard data port for diagnostics. This gives a GE Appliances factory service technician the ability to quickly diagnose any issues with your appliance and helps GE Appliances improve its products by providing GE Appliances with information on your appliance. If you do not want your appliance data to be sent to GE Appliances, please advise your technician not to submit the data to GE Appliances at the time of service.

For the period of	GE Appliances will replace
One year From the date of the original purchase	Any part of the cooking product which fails due to a defect in materials or workmanship. During this limited one-year warranty , GE Appliances will provide, free of charge , all labor and related service costs to replace the defective part.

What GE Appliances will not cover:

- Service trips to your home to teach you how to use the product.
- Improper installation, delivery, or maintenance.
- Failure of the product if it is abused, misused, modified, or used for other than the intended purpose or used commercially.
- Replacement of house fuses or resetting of circuit breakers.
- Damage to the product caused by accident, fire, floods, or acts of God.
- Damage to finish, such as surface rust, tarnish, or small blemishes not reported within 48 hours of delivery.
- Incidental or consequential damage caused by possible defects with this appliance.
- Damage caused after delivery.
- Product not accessible to provide required service.
- Service to repair or replace light bulbs, except for LED lamps.

EXCLUSION OF IMPLIED WARRANTIES

Your sole and exclusive remedy is product repair as provided in this Limited Warranty. Any implied warranties, including the implied warranties of merchantability or fitness for a particular purpose, are limited to one year or the shortest period allowed by law.

This limited warranty is extended to the original purchaser and any succeeding owner for products purchased for home use within the USA. If the product is located in an area where service by a GE Appliances Authorized Servicer is not available, you may be responsible for a trip charge or you may be required to bring the product to an Authorized GE Appliances Service location for service. In Alaska, the limited warranty excludes the cost of shipping or service calls to your home.

Some states do not allow the exclusion or limitation of incidental or consequential damages. This limited warranty gives you specific legal rights, and you may also have other rights which vary from state to state. To know what your legal rights are, consult your local or state consumer affairs office or your state's Attorney General.

Warrantor: GE Appliances, a Haier company
Louisville, KY 40225

Extended Warranties: Purchase a GE Appliances extended warranty and learn about special discounts that are available while your warranty is still in effect. You can purchase it online anytime at

GEAppliances.com/extended-warranty

or call 800.626.2224 during normal business hours. GE Appliances Service will still be there after your warranty expires.

Staple your receipt here. Proof of the original purchase date is needed to obtain service under the warranty.

Accessories

Looking For Something More?

GE Appliances offers a variety of accessories to improve your cooking and maintenance experiences!

Refer to the Consumer Support page for phone numbers and website information.

The following products and more are available:

Parts

Grease filters

Duct Covers

Charcoal Filters

Recirculation Kit

Remote Control

15" cabinet filler panel

Power Cord kit

Cleaning Supplies

CitruShine™ Stainless Steel Wipes

Stainless Steel Appliance Cleaner

Bar Keepers Friend Soft Cleanser™

Consumer Support

GE Appliances Website

Have a question or need assistance with your appliance? Try the GE Appliances Website 24 hours a day, any day of the year! You can also shop for more great GE Appliances products and take advantage of all our on-line support services designed for your convenience. In the US: GEAppliances.com

Register Your Appliance

Register your new appliance on-line at your convenience! Timely product registration will allow for enhanced communication and prompt service under the terms of your warranty, should the need arise. You may also mail in the pre-printed registration card included in the packing material. In the US: GEAppliances.com/register

Schedule Service

Expert GE Appliances repair service is only one step away from your door. Get on-line and schedule your service at your convenience any day of the year. In the US: GEAppliances.com/ge/service-and-support/service.htm or call 800.432.2737 during normal business hours.

Extended Warranties

Purchase a GE Appliances extended warranty and learn about special discounts that are available while your warranty is still in effect. You can purchase it on-line anytime. GE Appliances Services will still be there after your warranty expires. In the US: GEAppliances.com/ge/service-and-support/shop-for-extended-service-plans.htm or call 800.626.2224 during normal business hours.

Remote Connectivity

For assistance with wireless network connectivity (for models with remote enable), visit our website at GEAppliances.com/ge/connected-appliances/ or call 800.220.6899 in the US.

Parts and Accessories

Individuals qualified to service their own appliances can have parts or accessories sent directly to their homes (VISA, MasterCard and Discover cards are accepted). Order on-line today 24 hours every day. In the US: GEApplianceparts.com or by phone at 877.959.8688 during normal business hours.

Instructions contained in this manual cover procedures to be performed by any user. Other servicing generally should be referred to qualified service personnel. Caution must be exercised, since improper servicing may cause unsafe operation.

Contact Us

If you are not satisfied with the service you receive from GE Appliances, contact us on our Website with all the details including your phone number, or write to:

In the US: General Manager, Customer Relations | GE Appliances, Appliance Park | Louisville, KY 40225
GEAppliances.com/ge/service-and-support/contact.htm



CAMPANAS DE COCINA CON VENTILACIÓN Con Extractor QuietBoost™

INFORMACIÓN DE SEGURIDAD3

USO DE LA CAMPANA

Controles5

Conexión Wi-Fi.....6

Filtros.....7

CUIDADO Y LIMPIEZA

Superficies.....8

Luces8

INSTRUCCIONES DE INSTALACIÓN.....9

CONSEJOS PARA LA SOLUCIÓN DE PROBLEMAS23

GARANTÍA LIMITADA24

ACCESORIOS25

SOPORTE PARA EL CONSUMIDOR.....26

MANUAL DEL PROPIETARIO Y INSTALACIÓN

UVW8304
UVW8364

Escriba los números de modelo y de serie aquí:

Nº de Modelo _____

Nº de Serie _____

Los puede encontrar en una etiqueta en la pared interna de la campana.

GRACIAS POR HACER QUE GE APPLIANCES SEA PARTE DE SU HOGAR.

Ya sea que haya crecido usando GE Appliances, o que ésta es su primera vez, nos complace tenerlo en la familia.

Sentimos orgullo por el nivel de arte, innovación y diseño de cada uno de los electrodomésticos de GE Appliances, y creemos que usted también. Entre otras cosas, el registro de su electrodoméstico asegura que podamos entregarle información importante del producto y detalles de la garantía cuando los necesite.

Registre su electrodoméstico GE ahora a través de Internet. Sitios Web y números telefónicos útiles están disponibles en la sección de Soporte para el Consumidor de este Manual del Propietario.

También puede enviar una carta en la tarjeta de inscripción preimpresa que se incluye con el material embalado.



GE APPLIANCES

INFORMACIÓN IMPORTANTE DE SEGURIDAD

LEA TODAS LAS INSTRUCCIONES ANTES DE USAR

⚠ADVERTENCIA PARA REDUCIR EL RIESGO DE INCENDIO, DESCARGA ELÉCTRICA O LESIONES A PERSONAS, CUMPLA CON LOS SIGUIENTES PUNTOS:

- A. Utilice esta unidad sólo de la manera concebida por el fabricante. Si tiene alguna pregunta, comuníquese con el fabricante.
- B. Antes de realizar reparaciones o limpiar la unidad, desconecte la energía del panel de servicio y bloquee los medios de desconexión para evitar el accionamiento de la energía de manera accidental. Cuando los medios de desconexión de servicio no pueden bloquearse, coloque sobre el panel de servicio un dispositivo de advertencia bien visible, como una etiqueta.
- C. No utilice esta unidad con ningún dispositivo de control de velocidad de estado sólido.
- D. Esta unidad debe estar conectada a tierra.

⚠PRECAUCIÓN SÓLO PARA USO DE VENTILACIÓN GENERAL. NO LO UTILICE PARA ELIMINAR MATERIALES Y VAPORES PELIGROSOS O EXPLOSIVOS.

⚠PRECAUCIÓN PARA REDUCIR EL RIESGO DE INCENDIO Y PARA ELIMINAR EL AIRE DE ESCAPE CORRECTAMENTE, ASEGÚRESE DE DIRIGIR EL AIRE DEL CONDUCTO HACIA EL EXTERIOR. NO VENTILE EL AIRE DE ESCAPE EN ESPACIOS DENTRO DE PAREDES O CIELORRASOS O EN ÁTICOS, HUECOS SANITARIOS O GARAJES.

⚠ADVERTENCIA PARA REDUCIR EL RIESGO DE LESIONES A PERSONAS EN CASO DE UN INCENDIO DE GRASA SOBRE UNA ESTUFA, CUMPLA CON LOS SIGUIENTES PUNTOS*:

- A. APAGUE LAS LLAMAS con una tapa que ajuste bien, una plancha para galletas o una bandeja de metal, y luego apague el quemador. TENGA MUCHO CUIDADO A FIN DE EVITAR QUEMADURAS. Si las llamas no se apagan de inmediato, SALGA DE LA VIVIENDA Y LLAME AL DEPARTAMENTO DE BOMBEROS.
- B. NUNCA LEVANTE UNA SARTÉN EN LLAMAS—Usted puede quemarse.
- C. NO UTILICE AGUA, incluyendo repasadores o toallas húmedos—se provocará una violenta explosión de vapor.
- D. Utilice un extintor SÓLO si:
 - 1. Usted sabe que cuenta con un extintor Clase ABC y ya sabe cómo utilizarlo.
 - 2. El incendio es pequeño y se contuvo en el área donde comenzó.
 - 3. Se está llamando al departamento de bomberos.
 - 4. Usted puede combatir el incendio con su espalda dirigida hacia una salida.

*Basado en "[Kitchen Fire Safety](#)" publicado por NFPA.

LEA Y GUARDE ESTAS INSTRUCCIONES

INFORMACIÓN IMPORTANTE DE SEGURIDAD

LEA TODAS LAS INSTRUCCIONES ANTES DE USAR

▲ADVERTENCIA PARA REDUCIR EL RIESGO DE UN INCENDIO DE GRASA SOBRE UNA ESTUFA:

- A. Nunca deje unidades de superficie desatendidas en configuraciones de calor elevadas. Los alimentos que hierven y se derraman provocan humo y derrames grasosos que pueden prenderse fuego. Caliente los aceites lentamente en configuraciones bajas o medias.
- B. Siempre encienda el sistema de ventilación cuando cocine con configuraciones de calor elevadas o cuando flambee alimentos (por ej., Crepes Suzette, cerezas Jubilee, carne flambeada a la pimienta en grano).
- C. Limpie los ventiladores con frecuencia. No debe permitirse la acumulación de grasa en el ventilador o en el filtro.
- D. Utilice el tamaño de recipiente adecuado. Siempre utilice recipientes de cocción apropiados para el tamaño del elemento de superficie.

▲ADVERTENCIA A FIN DE REDUCIR EL RIESGO DE INCENDIOS, DESCARGAS ELÉCTRICAS O LESIONES PERSONALES, CUMPLA CON LO SIGUIENTE:

- A. El trabajo de instalación y el cableado eléctrico deben ser realizados por una persona(s) calificada de acuerdo con todos los códigos y estándares aplicables, incluyendo construcciones resistentes al fuego.
- B. Es necesario contar con suficiente cantidad de aire para una combustión y salida de gases adecuadas a través del conducto (chimenea) del equipo de consumo de combustible, a fin de evitar ráfagas de aire. Siga las pautas del fabricante del equipo de calefacción y los estándares de seguridad, tales como aquellos publicados por la Asociación Nacional de Protección contra Incendios (National Fire Protection Association, NFPA), la Sociedad Estadounidense para la Calefacción (American Society for Heating), los Ingenieros de Refrigeración y Acondicionadores de Aire (Refrigeration and Air Conditioning Engineers, ASHRAE) y las autoridades de los códigos locales.

- C. Al cortar o perforar una pared o un cielorraso, no dañe el cableado eléctrico y de otros servicios ocultos.
- D. Los ventiladores con conducto siempre deben contar con ventilación hacia el exterior.
- E. Cuando corresponda, instale un sistema de reposición (reemplazo) de aire de acuerdo con los requisitos del código local de construcción. Para acceder a soluciones relacionadas con la reposición de aire, visite GEAppliances.com.
- F. Desconecte el disyuntor de habitaciones adyacentes mientras esté trabajando.

▲ADVERTENCIA A FIN DE REDUCIR EL RIESGO DE INCENDIOS, USE SÓLO CONDUCTOS DE METAL.

- No intente reparar o reemplazar ninguna parte de la cocina, a menos que esto se recomiende específicamente en este manual. Cualquier otra reparación deberá ser realizada por un técnico calificado.

Cómo Retirar la Película Protectora de Envío y la Cinta de Embalaje

Con cuidado tome un extremo de la película protectora de envío con los dedos y lentamente retire la misma de la superficie del electrodoméstico. No utilice ningún producto filoso para retirar la película. Retire toda la película antes de usar el electrodoméstico por primera vez.

Para asegurar que no haya daños sobre el acabado del producto, la forma más segura de retirar el adhesivo de la cinta

de embalaje en electrodomésticos nuevos es aplicando un detergente líquido hogareño para lavar platos. Aplique con una tela suave y deje que se seque. **NOTA:** Si la superficie aún no se encuentra limpia, consulte sobre más opciones de limpieza en la página 8.

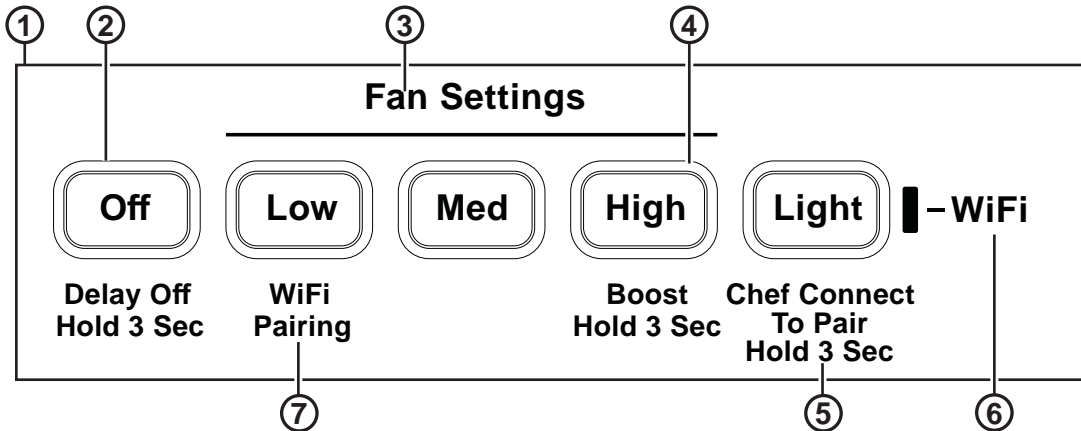
NOTA: El adhesivo deberá ser eliminado de todas las partes. No se puede retirar si se hornea con éste dentro.

FORMA ADECUADA DE DESCARTAR SU ELECTRODOMÉSTICO

Descarte o recicle su electrodoméstico de acuerdo con las Regulaciones Federales y Locales. Comuníquese con las autoridades locales para descartar o reciclar su electrodoméstico de forma ambientalmente segura.

LEA Y GUARDE ESTAS INSTRUCCIONES

Controles



- 1. Panel de Control de la Campana Extractora:** El panel de control está ubicado debajo del extremo frontal de la base. La posición y función de cada botón del control figura a continuación.
- 2. Ventilador Encendido/ Apagado:** Interruptor de apagado del ventilador. El ventilador puede ser usado presionando cualquiera de los botones de configuración del ventilador. Mantenga presionado el botón **Power** durante 3 segundos para activar la función Delay Off (Retraso Apagado), el cual apaga de forma automática el ventilador durante 15 minutos.
- 3. Fan Settings (Configuración del Ventilador):** Control de velocidad del ventilador. Velocidad del ventilador es provista por la **Tecnología QuietBoost™**. Esta tecnología única fue diseñada para minimizar el ruido de la ventilación y mejorar la eficiencia del motor para una cocina tranquila y libre de olores. Presione el botón **Low** (Baja) para acceder a una velocidad BAJA, **Med** (Media) para una velocidad MEDIA, y **High** (Alta) para una velocidad ALTA. Mantenga presionado el botón **High** (Alta) durante 3 segundos para activar la velocidad con la función BOOST (Aumentada), la cual funcionará durante 15 minutos. El botón LED High (Alta) parpadeará entre encendido/ apagado para indicar que la función Boost (Aumentada) fue activado.
- 4. Light (Luz):** Interruptor de la Luz Apagada/ Encendida/ Nocturna de las luces LED. Presione el botón **Light** (Luz) para encender las luces, nuevamente para ajustar las luces en la configuración de luz nocturna y nuevamente para apagar las luces.
- 5. Chef Connect:** Ésta es una función de emparejamiento de Bluetooth® para uso con otros productos compatibles con Chef Connect en una superficie de cocción o una cocina. Una vez emparejado el dispositivo, las configuraciones de sincronización por omisión serán desactivadas al recibir un comando desde la cocina o la superficie de cocción. Para cambiar la configuración de sincronización por omisión, consulte la sección de Chef Connect.
Para emparejar dispositivos, mantenga presionado el botón **Light** durante 3 segundos. Para volver a apagarlo, mantenga presionado el botón durante otros 3 segundos. Para más detalles, consulte la sección de Chef Connect.
- 6. Sensor IR:** Receptor del Control Remoto cuando es usado con el kit del control remoto.
- 7. Wi-Fi :** Mantenga presionado el botón Low (Bajo) durante 3 segundos para iniciar la conexión Wi-Fi. La luz del indicador de Wi-Fi se enciende cuando se encuentra conectada; para más detalles, consulte la sección Wi-Fi Connect.

Chef Connect

Conexión de Bluetooth® al Funcionamiento de Chef Connect

Para emparejar con otro dispositivo:

A fin de iniciar el proceso de emparejamiento con la campana, mantenga presionado el botón Light (Luz) durante 3 segundos. La luz de fondo de todos los íconos se iluminará hasta que la campana esté emparejada con la cocina u otro dispositivo. Si el emparejamiento se realiza con éxito, las luces de fondo de todos los botones parpadearán de forma simultánea tres veces y luego se apagarán. La campana se iluminará y se activará la configuración de sincronización por omisión del ventilador.

Se desactivará luego de 2 minutos si el emparejamiento no es completado. Luego de esto, la secuencia de emparejamiento deberá ser reiniciada.

Para cancelar el emparejamiento:

Para cancelar el emparejamiento, mantenga presionado el botón **Light** durante 3 segundos y luego apague la campana.

Configuraciones de Sincronización por Omisión:

La configuración por omisión de fábrica de la luz será la más brillante.

La configuración de fábrica por omisión para la sincronización del ventilador estará en **OFF**.

El usuario podrá modificar las Configuraciones de Sincronización por Omisión manteniendo presionado el botón **Med** durante 3 segundos. Esto permitirá ingresar a Default Settings Mode (Modo de Configuraciones por Omisión). Una vez en este modo, las luces de fondo de todos los botones parpadearán encendiéndose y apagándose de forma indefinida, y el ventilador y la luz pasarán a la Configuración de Sincronización por Omisión actual, de modo que el usuario sepa cuál es el valor por omisión actual. En este momento, configure la luz y el ventilador en los niveles por omisión deseados. Una vez que el usuario se encuentre satisfecho con la selección, mantenga presionado el botón **Power** durante 3 segundos. Esto hará que se abandone este modo. En este momento, las luces de fondo dejarán de parpadear y el estado del ventilador y de la luz volverán a cambiar a su estado anterior, antes de entrar en Default Settings Mode (Modo de Configuraciones por Omisión).

Conexión Wi-Fi

Conecte su campana con Conexión Habilitada de Wi-Fi (en algunos modelos)

Su campana de GE Appliances está diseñado para brindarle una comunicación recíproca entre su electrodoméstico y el dispositivo inteligente. Al usar las funciones de Wi-Fi Connect de GE Appliances, usted podrá controlar funciones esenciales de la campana tales como la velocidad del ventilador, retraso del apagado y notificaciones de filtro utilizando su teléfono inteligente o tablet.

Este dispositivo cumple con la Parte 15 de la Normativa de la FCC. Su funcionamiento está sujeto a las dos condiciones siguientes: (1) Este dispositivo no deberá causar interferencias nocivas, y (2) este dispositivo deberá aceptar cualquier interferencia recibida, incluyendo interferencias que puedan generar un funcionamiento no deseado.

Qué necesitará

Su campana de GE Appliances utiliza su red de Wi-Fi hogareña existente para realizar la comunicación entre el electrodoméstico y su dispositivo inteligente. A fin de configurar su campana de GE Appliances, usted necesitará reunir cierta información:

1. Cada campana de GE Appliances cuenta con una etiqueta informativa del electrodoméstico conectado, que incluye un Nombre y Contraseña de Red del Electrodoméstico. Estos son los dos detalles importantes que necesitará para conectar el electrodoméstico. La etiqueta está ubicada al costado de la unidad, detrás de los filtros.

Connected Appliance Information	
FCC ID: ZKJ-WCATA005	Network: *****
IC: 10229A-WCATA001	Password: *****
MAC ID: *****	

Ejemplo de Etiqueta

2. Su teléfono inteligente o tableta deben estar preparados con la capacidad de acceder a Internet y descargar aplicaciones.
3. Usted deberá conocer la contraseña del enrutador Wi-Fi de su hogar. Tenga esta contraseña a mano al configurar el campana de GE Appliances.

Conexión de su campana de GE Appliances

1. A través de su teléfono inteligente o tableta, visite **GEAppliances.com/connect** para aprender más sobre las funciones del electrodoméstico conectado y para descargar la aplicación correspondiente.
2. Siga las instrucciones en pantalla de la aplicación para conectar su campana de GE Appliances.
3. Una vez completado el proceso, la luz indicadora ubicada en la pantalla de la campana de GE Appliances permanecerá fija y la aplicación confirmará que usted está conectado.
4. Si la luz indicadora no se enciende o está titilando, siga las instrucciones en la aplicación para volver a realizar la conexión. Si los problemas continúan, por favor llame al 800.220.6899 y solicite asistencia en relación a la conectividad inalámbrica de la campana.

Para conectar dispositivos inteligentes adicionales, repita los pasos 1 y 2.

Observe que todos los cambios o modificaciones al dispositivo de acceso remoto instalado en este campana que no están expresamente aprobados por el fabricante podrían anular la autoridad del usuario para operar el equipamiento.

Funciones Wi-Fi Mejoradas

Una vez que su producto se encuentre conectado al Wi-Fi, usted tendrá acceso a las funciones mejoradas a través de la aplicación de su teléfono.

Delay OFF Timer (Temporizador de Apagado con Retraso):

Esta función le permite al usuario ajustar el tiempo de apagado con retraso desde 1 minuto hasta 15 minutos. El tiempo de apagado con retraso por omisión es de 15 minutos.

Boost Timer (Temporizador Aumentado): Esta función le permite al usuario ajustar el aumento de tiempo desde 1 minuto hasta 15 minutos. El tiempo de aumento por omisión es de 15 minutos.

Night Light Timer (Temporizador de la Luz Nocturna): Esta función le permite al usuario configurar el tiempo de la luz nocturna para que se encienda o apague de forma automática.

Notificaciones del Filtro de Grasa/ Carbón: Esta función le envía al usuario un recordatorio de forma regular para que limpie sus filtros de grasa y / o que reemplace el filtro de carbón, si la campana se encuentra configurada en el modo de recirculación.

* Se requiere el uso de dispositivos y de una red Wi-Fi hogareña que sean compatibles con Apple o Android.

Filtros

Asegúrese de que la energía eléctrica esté apagada y que todas las superficies estén frías antes de limpiar o arreglar cualquier pieza de la campana de ventilación.

Filtro de grasa

El filtro atrapa la grasa liberada por las comidas durante su cocción.

Filtro debe estar SIEMPRE en su lugar cuando la campana esté en funcionamiento. El filtro de grasa es apto para lavavajillas y debe limpiarse cada mese, o según sea necesario.

Para quitar:

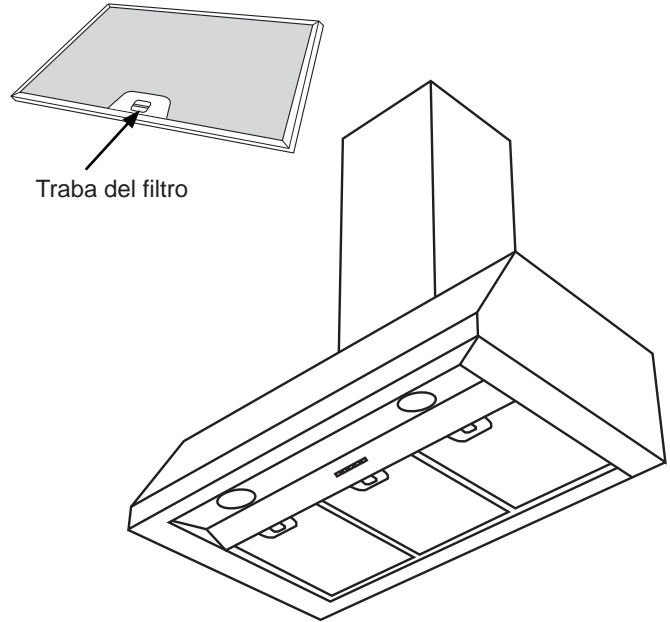
Tire hacia abajo la traba del filtro para liberarlo.

Para volver a colocar:

Coloque las lengüetas en la parte inferior del filtro, detrás del estante de la apertura del filtro. Levante la cara frontal del filtro, empuje hacia abajo el bloqueo del filtro, y empuje de forma suave hasta que el filtro esté en su posición. Libere el bloqueo del filtro para asegurar el mismo en su posición.

Para limpiar el filtro, utilice agua jabonosa caliente y enjuague con agua limpia o lávelo en el lavavajillas. No utilice productos de limpieza abrasivos.

NOTA: Cierta descoloración de los filtros de grasa se podrá producir en el lavavajillas.



Filtro de carbón (Sólo Para Instalación con Recirculación)

NOTA: NO enjuague o coloque el filtro de carbón en el lavavajillas automático.

El filtro de carbón NO está incluido con la unidad. Solicite el filtro de carbón UXCF91. Debe ser reemplazado. Se recomienda que el filtro de carbón sea reemplazado cada entre 6 meses, o si se encuentra notoriamente sucio o descolorido.

A fin de reducir el riesgo de incendios y descargas, al usar el modo de recirculación utilice sólo el filtro de carbón UXCF91.

Para consultar sobre la compra de filtros de carbón de repuesto o para encontrar la ubicación del distribuidor más cercano a su domicilio, llame a nuestro número gratuito:

Centro nacional de piezas 800.626.2002

Para instalar

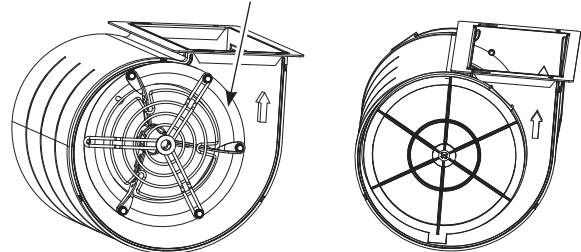
1. Retire los filtros de grasa. Consulte la sección de Filtros.
2. Instale los montajes del filtro de carbón sobre cada lado del motor, usando tres tornillos por lado.

3. Inserte la lengüeta que se encuentra en el filtro de carbón dentro de la ranura triangular del montaje.
4. Enganche el filtro de carbón hasta que quede bloqueado.
5. Repita esto con el segundo filtro del otro lado del motor.
6. Vuelva a adherir los filtros metálicos. Consulte la sección de Filtros.

Para retirar

1. Retire los filtros de grasa – Consulte la sección de Filtros
2. Desenganche el filtro de carbón presionando el sujetador para liberarlo.
3. Con cuidado retire el filtro de carbón de la lengüeta.

Montaje del Filtro de Carbón



Superficies

Superficies de acero inoxidable (en algunos modelos)

No utilice almohadillas de acero porque rayan la superficie.

Para limpiar la superficie de acero inoxidable, utilice agua tibia jabonosa o un limpiador o lustrador de acero inoxidable. Siempre limpie la superficie en dirección de la veta. Siga las instrucciones del producto para limpiar la superficie de acero inoxidable. Los limpiadores con ácido oxálico tales como **Bar Keepers Friend Soft Cleanser™** eliminarán el óxido sobre la superficie, deslustres y pequeñas manchas. Use sólo un limpiador líquido libre de material abrasivo y frote en la dirección de las líneas del cepillo con una esponja suave y húmeda.

Para consultar sobre la compra de limpiadores o lustradores de aparatos de acero inoxidable, o para encontrar la ubicación del distribuidor más cercano, llame a nuestro número gratuito:

Centro nacional de piezas 800.626.2002

GEApplianceParts.com

Lámparas

Para cambiar las lámparas LED, programe una cita con el servicio técnico. Para acceder a un listado de sitios Web e información de contacto, consulte la página de Soporte al Consumidor.

Instrucciones de instalación

Campanas para Cocinas

[?] “Ante cualquier duda, llame a GE Appliances al 800.GE.CARES (800.432.2737) o visite nuestro sitio Web en: GEAppliances.com”

ANTES DE COMENZAR

Lea estas instrucciones por completo y con detenimiento.

- **IMPORTANTE** — Guarde estas instrucciones para el uso de inspectores locales.
- **IMPORTANTE** — Cumpla con todos los códigos y ordenanzas vigentes.
- **Nota al instalador** – Asegúrese de dejar estas instrucciones con el Consumidor.
- **Nota al consumidor** – Conserve estas instrucciones para referencia futura.
- **Nivel de capacidad** – La instalación de esta campana de ventilación requiere capacidades mecánicas y eléctricas básicas.
- **Tiempo de compleción** – Aproximadamente entre 1 y 3 horas
- El instalador tiene la responsabilidad de efectuar una instalación adecuada.
- La Garantía no cubre las fallas del producto debido a una instalación incorrecta.

⚠PRECAUCIÓN Debido al peso y tamaño de estas campanas de ventilación, y a fin de reducir el riesgo de lesiones personales o daños sobre el producto - **SE DEBERÁ CONTAR CON DOS PERSONAS PARA UNA INSTALACIÓN ADECUADA.**

PARA SU SEGURIDAD

⚠ADVERTENCIA Antes de comenzar la instalación, desconecte la energía del panel de servicio y bloquee los medios de desconexión para evitar el accionamiento de la energía de manera accidental. Cuando los medios de desconexión de servicio no pueden bloquearse, coloque sobre el panel de servicio un dispositivo de advertencia bien visible, como una etiqueta.

⚠ADVERTENCIA PARA REDUCIR EL RIESGO DE INCENDIO, DESCARGA ELÉCTRICA O LESIONES A PERSONAS, CUMPLA CON LOS SIGUIENTES PUNTOS:

- A. El trabajo de instalación y el cableado eléctrico deben ser realizados por una persona(s) calificada de acuerdo con todos los códigos y estándares aplicables, incluyendo construcciones resistentes al fuego.
- B. Es necesario contar con suficiente cantidad de aire para una combustión y salida de gases adecuadas a través del conducto (chimenea) del equipo de consumo de combustible, a fin de evitar ráfagas de aire. Siga las pautas del fabricante del equipo de calefacción y los estándares de seguridad, tales como aquellos publicados por la Asociación Nacional de Protección contra Incendios (National Fire Protection Association, NFPA), la Sociedad Estadounidense para la Calefacción (American Society for Heating), los Ingenieros de Refrigeración y Acondicionadores de Aire (Refrigeration and Air Conditioning Engineers, ASHRAE) y las autoridades de los códigos locales.
- C. Al cortar o perforar una pared o un cielorraso, no dañe el cableado eléctrico y de otros servicios ocultos.
- D. Los ventiladores con conducto siempre deben contar con ventilación hacia el exterior.
- E. Desconecte el disyuntor de habitaciones adyacentes mientras esté trabajando.

⚠ADVERTENCIA A FIN DE REDUCIR EL RIESGO DE INCENDIOS, USE SÓLO CONDUCTOS DE METAL.

⚠ADVERTENCIA Desconecte toda la corriente eléctrica del disyuntor principal o de la caja de fusibles antes de la instalación.

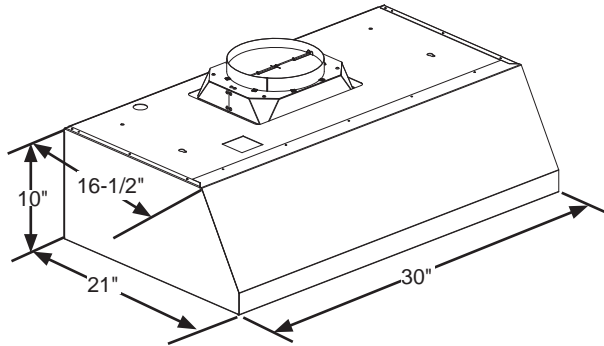
KIT DE CABLES DE CORRIENTE OPCIONAL JXHC1

Un kit de cables de corriente opcional, modelo JXHC1, está disponible por un costo adicional a través de su proveedor de GE Appliances para la instalación utilizando un tomacorriente estándar de pared con conexión a tierra de 3 patas. Siga las instrucciones de instalación adjuntas con el kit para conectar el cable de corriente a la campana de la cocina

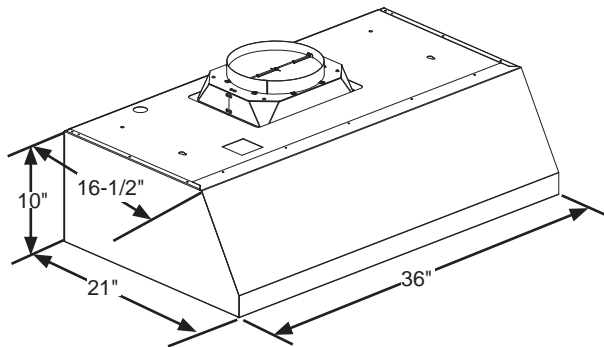
Preparación para la instalación

PRODUCTO

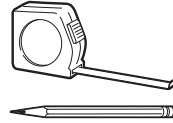
Modelos de 30"
Requiere una abertura de 30"



Modelos de 36"
Requiere una abertura de 36"



HERRAMIENTAS Y MATERIALES REQUERIDOS (NO SUMINISTRADOS)



Lápiz y cinta métrica



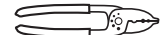
Gafas de seguridad



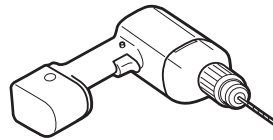
Nivel



Destornillador Phillips con un vástago de por lo menos 6".



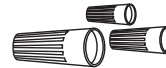
Alicate pelacables



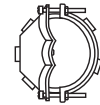
Taladro eléctrico con brocas Phillips nº 2 y de 1/8" y 5/16"



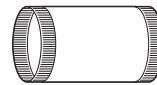
Cinta aislante de aluminio



Tapones de alambre aprobados por UL



Alivio de tensión para la caja de conexiones



Conducto circular de 8"



QUITE EL ENVOLTORIO

⚠ PRECAUCIÓN

Se guantes para protegerse de los bordes afilados.

- Quite la bolsa de piezas, el paquete de instrucciones y otras piezas en cajas.
- Quite y descarte adecuadamente el envoltorio plástico de protección y otros materiales de empaque.
- Tenga en cuenta las opciones de reciclaje del material de embalaje de su electrodoméstico.

Preparación para la instalación

PLAN DE INSTALACIÓN

⚠ ADVERTENCIA

A fin de reducir riesgos de incendios y para que el aire salga de forma apropiada, asegúrese de que el aire sea conducido hacia fuera. No ventile el aire de la salida hacia espacios dentro de paredes o cielorrasos o áticos, espacios muy bajos o garajes.

PIEZAS PROVISTAS PARA LA INSTALACIÓN

- 1 Paquete de Herramientas
- 1 Plantilla de Instalación
- Filtros de carbón (modo de recirculación)

PIEZAS NECESARIAS PARA LA INSTALACIÓN

- 1 Amortiguador de Refuerzo
- 1 Tapa de Pared o Techo (para instalación con ventilación únicamente)
- Toda la Tubería Metálica

⚠ ADVERTENCIA

! RIESGO DE LESIONES PERSONALES

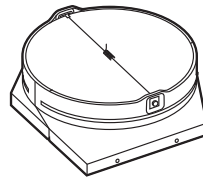
Debido al peso y tamaño de la base de la campana extractora. Es recomendable que la campana extractora sea instalada por 2 personas. Si la campana no es elevada de forma correcta, se podrán producir daños sobre el producto o lesiones personales.

NOTA: Esta campana puede ser instalada con conducto o con recirculación. En una aplicación con conducto, esta campana puede ser ventilada a través de la pared o del cielorraso. Al ser instalada por recirculación, la campana ventila hacia afuera los costados de la cubierta del conducto.

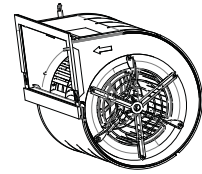
NOTA: Antes de realizar cualquier corte o agujero para la instalación, determine qué método de ventilación será usado y con cuidado calcule todas las medidas.

PIEZAS PROVISTAS:

Ubique las piezas embaladas con la campana.



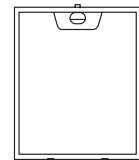
Regulador Superior



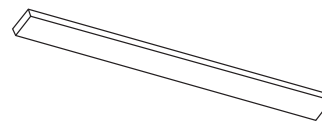
Motor



Cuerpo de la Campana



3 Filtros de Deflector
(4 con los modelos de 48")



Barra de Instalación de Madera

PAQUETE DE MATERIALES

Ubique y controle los contenidos.



A



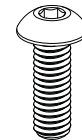
(Cant.: 4) Tornillos de 8 x 1-3/4" AB. Usados para montar la barra de instalación. Use una broca de 1/8" para el agujero piloto.

B



(Cant.: 4) Tornillos PZ de 2.9mm x 6mm. Usados para adherir el regulador

D



(Cant.: 4) Tornillos M4. Usados para montar el motor

C

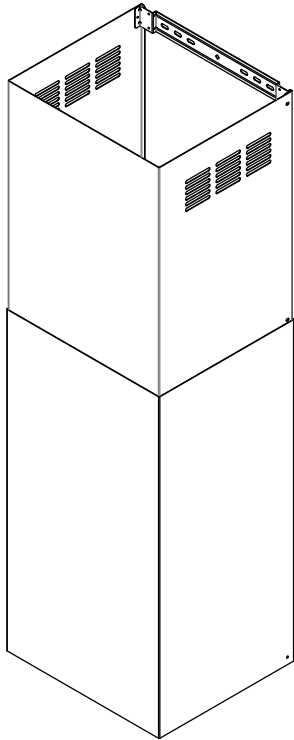


(Cant.: 2) Anclajes para pared de yeso de 3/16" con tornillos. Usados para los agujeros de los tornillos de montaje inferiores. Use una broca de 5/16" para el agujero piloto.

Preparación para la instalación

REQUISITOS SOBRE LA TAPA DEL CONDUCTO

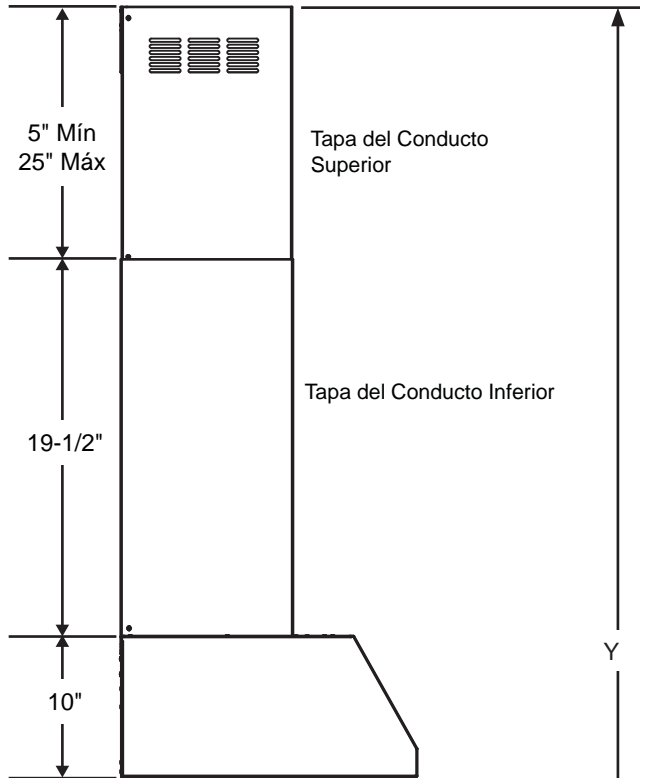
Los kits para la tapa del conducto se deberán adquirir aparte. Le recomendamos que la campana de ventilación y la tapa del conducto (de ser usadas) estén en sus posiciones antes del enmarcado final y el acabado de pared. Esto ayudará a ubicar los montantes, el conducto y el cableado eléctrico de forma precisa.



- El accesorio de la tapa del conducto viene con una tapa de conducto inferior o superior y con el equipamiento para la instalación.
- Las herramientas de instalación incluyen soportes de montaje para asegurar las tapas del conducto a la pared.
- Cuando no haya recirculación, los agujeros se podrán ocultar colocando la tapa del conducto superior al revés.
- Para instalaciones en cielorrasos más altos de hasta 10' 8", use el kit de la Tapa del Conducto para Cielorrasos Altos CX10DC9SPSS de 10'.
- Para instalaciones en cielorrasos más altos de hasta 12' 8", use el kit de la Tapa del Conducto para Cielorrasos Altos CX10DC9SPSS de 12'.
- Consulte en la siguiente página información sobre la altura de instalación de la tapa del conducto.

DIMENSIONES DE LA INSTALACIÓN

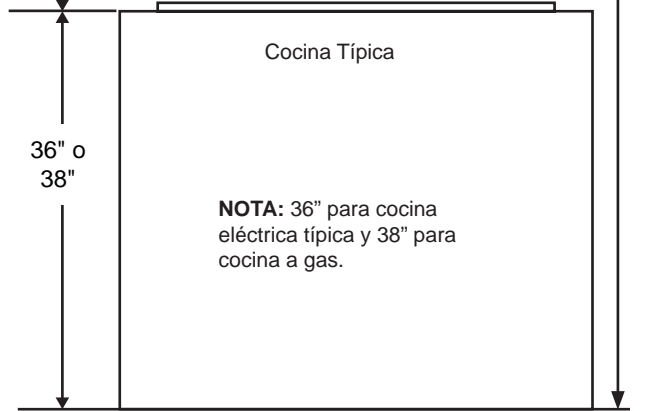
Las tapas de los conductos de las campanas pueden ser ajustadas en diferentes alturas de cielorrasos, dependiendo de la distancia entre la parte inferior de la campana y la superficie de cocción (distancia X). Consulte la Tabla de Alturas de Instalación en la siguiente página.



Ejemplos de Mín. Requerido y Máx. Recomendado para Alturas de Cielorraso para el Kit de la Tapa de Conducto de 10" (Ventilada)

Eléctrico	Gas	
X = 24" Y = Mín 7' 6" Máx 9' 2"	X = 30" Y = Mín 8' 2" Máx 9' 10"	X = 36" Y = Mín 8' 8" Máx 10' 4"

X = Distancia desde la campana hasta la superficie de cocción. (Varía dependiendo de la instalación). Mínimo requerido de 24" sobre la cocina eléctrica o mínimo de 30" sobre la cocina a gas. El máximo recomendado es de 36".



Preparación para la instalación

TABLA DE ALTURAS DE INSTALACIÓN										
	CX10DC9SPSS						CX12DC9SPSS			
	Tapa del Conducto del Cielorraso de hasta 10 pies						Tapa del Conducto del Cielorraso Alto de hasta 12 pies			
	Instalación sobre Cocina a Gas		Instalación sobre Cocina Eléctrica				Instalación sobre Cocina a Gas		Instalación sobre Cocina Eléctrica	
Altura del Cielorraso (pies/pulg.)	Altura de Instalación con Ventilación	Altura de Instalación con Ventilación (agujeros de recirculación ocultos)	Altura de Instalación con Recirculación	Altura de Instalación con Ventilación (agujeros de recirculación ocultos)	Altura del Cielorraso (pies/pulg.)	Altura de Instalación con Recirculación	Altura de Instalación con Ventilación (agujeros de recirculación ocultos)	Altura de Instalación con Recirculación	Altura de Instalación con Ventilación (agujeros de recirculación ocultos)	
7' 6"				24	8' 7"				24	
7' 7"				24-25	8' 8"				24-25	
7' 8"				24-26	8' 9"				24-26	
7' 9"				24-27	8' 10"				24-27	
7' 10"				24-28	8' 11"			24	24-28	
7' 11"			24	24-29	9' 0"			24-25	24-29	
8' 0"			24-25	24-30	9' 1"			24-26	24-30	
8' 1"			24-26	24-31	9' 2"			24-27	24-31	
8' 2"		30	24-27	24-32	9' 3"		30	24-28	24-32	
8' 3"		30-31	24-28	24-33	9' 4"		30-31	24-29	24-33	
8' 4"		30-32	24-29	24-34	9' 5"		30-32	24-30	24-34	
8' 5"		30-33	24-30	24-35	9' 6"		30-33	24-31	24-35	
8' 6"		30-34	24-31		9' 7"	30	30-34	24-32		
8' 7"	30	30-35	24-32		9' 8"	30-31	30-35	24-33		
8' 8"	30-31		24-33		9' 9"	30-32		24-34		
8' 9"	30-32		24-34		9' 10"	30-33		24-35		
8' 10"	30-33		24-35	24-36	9' 11"	30-34				
8' 11"	30-34				10' 0"	30-35				
9' 0"	30-35				10' 1"					
9' 1"			24-36		10' 2"					
9' 2"					10' 3"					
9' 3"		30-36		25-36	10' 4"				24-36	
9' 4"				26-36	10' 5"					
9' 5"				27-36	10' 6"					
9' 6"				28-36	10' 7"					
9' 7"			25-36	29-36	10' 8"					
9' 8"	30-36		26-36	30-36	10' 9"		30-36	24-36		
9' 9"			27-36	31-36	10' 10"					
9' 10"			28-36	32-36	10' 11"					
9' 11"		31-36	29-36	33-36	11' 0"					
10' 0"		32-36	30-36	34-36	11' 1"					
10' 1"		33-36	31-36	35-36	11' 2"					
10' 2"		34-36	32-36	36	11' 3"					
10' 3"	31-36	35-36	33-36		11' 4"				25-36	
10' 4"	32-36	36	34-36		11' 5"				26-36	
10' 5"	33-36		35-36		11' 6"				27-36	
10' 6"	34-36		36		11' 7"			25-36	28-36	
10' 7"	35-36				11' 8"			26-36	29-36	
10' 8"	36				11' 9"			27-36	30-36	
					11' 10"			28-36	31-36	
					11' 11"			29-36	32-36	
					12' 0"		31-36	30-36	33-36	
					12' 1"		32-36	31-36	34-36	
					12' 2"		33-36	32-36	35-36	
					12' 3"	31-36	34-36	33-36	36	
					12' 4"	32-36	35-36	34-36		
					12' 5"	33-36	36	35-36		
					12' 6"	34-36		36		
					12' 7"	35-36				
					12' 8"	36				

Preparación para la instalación

PLANIFICACIÓN PREVIA

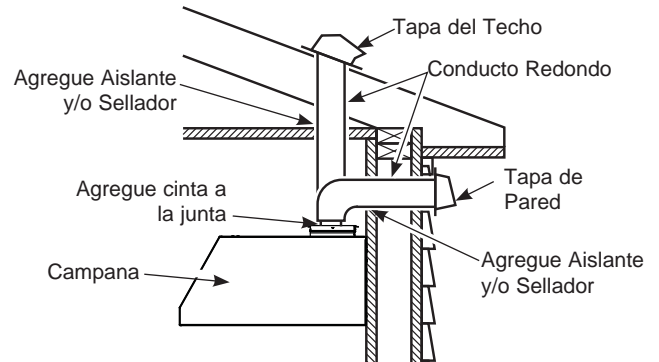
Planificación para la Instalación con Conducto

- Esta campana fue diseñada para ventilar de forma vertical a través del cielorraso con un conducto cilíndrico de 8" o a través de una pared trasera usando un codo de 90° y un conducto cilíndrico de 8".
- Determine la ubicación exacta de la campana de ventilación.
- Planifique el recorrido de la salida de ventilación hacia el exterior. A fin de maximizar el rendimiento de la ventilación del sistema de ventilación:
 1. Minimice la longitud del conducto y el número de transiciones y codos.
 2. Mantenga un tamaño de conducto constante.
 3. Selle todas las juntas con cinta para conductos a fin de evitar pérdidas.

NOTA: No se recomienda una ventilación flexible. La ventilación flexible crea una presión trasera y turbulencia del aire que reduce el rendimiento significativamente.

- Longitud máxima equivalente del conducto para 100 CFM: 150 pies para campanas de ventilación.
- Instale una cubierta de pared o casquete de techo con un regulador de tiro en la abertura exterior. Solicite por adelantado la cubierta de pared o el casquete de techo y cualquier transición o longitud de conducto necesarios.
- Cuando corresponda, instale un sistema de reposición (reemplazo) de aire de acuerdo con los requisitos del código local de construcción. Use el kit de aire de reposición JXMUA8.

El sistema de ventilación puede desembocar a través del techo o de la pared. Para ventilar a través de una pared, es necesario un codo de 90° que se encuentre instalado inmediatamente sobre la campana.



Planificación de Instalación con Recirculación

Se necesitarán un conducto de recirculación y un filtro de carbón para la instalación de la recirculación, y los mismos se deberán adquirir aparte.

Planificación del Suministro de Corriente

La ubicación de la conexión del suministro de corriente aparece indicada en la sección de Ubicación del Cableado Hogareño.

SUMINISTRO DE ENERGÍA

IMPORTANTE – (Tenga a bien leer cuidadosamente)

⚠ ADVERTENCIA

PARA SEGURIDAD PERSONAL, ESTE APARATO DEBE CONECTARSE A TIERRA DE MANERA ADECUADA.

Quite el fusible o abra el interruptor de circuitos antes de comenzar la instalación.

No utilice un cable de extensión o un enchufe adaptador con este artefacto. Siga los Códigos Eléctricos Nacionales o códigos y ordenanzas locales vigentes.

Suministro eléctrico

Estas campanas de ventilación deben contar con un suministro de 120V, 60Hz, deben estar conectadas a un circuito derivado con una adecuada conexión a tierra y deben contar con la protección de un interruptor de circuitos o un fusible con retraso de 15 o 20 amperios.

- El cableado debe ser de 2 hilos con conexión a tierra.
- Si el suministro eléctrico no cumple con los requisitos anteriores, llame a un electricista con licencia antes de continuar.

- Dirija el cableado doméstico lo más cerca posible a la ubicación de la instalación, en el cielorraso o pared trasera. Ver página 14 para más detalles.

- Conecte el cableado al cableado doméstico en cumplimiento con los códigos locales.

Instrucciones de conexión a tierra

El conductor a tierra debe conectarse a un metal con conexión a tierra, un sistema de cableado permanente o una terminal o conductor de conexión a tierra del equipamiento en la campana.

⚠ ADVERTENCIA

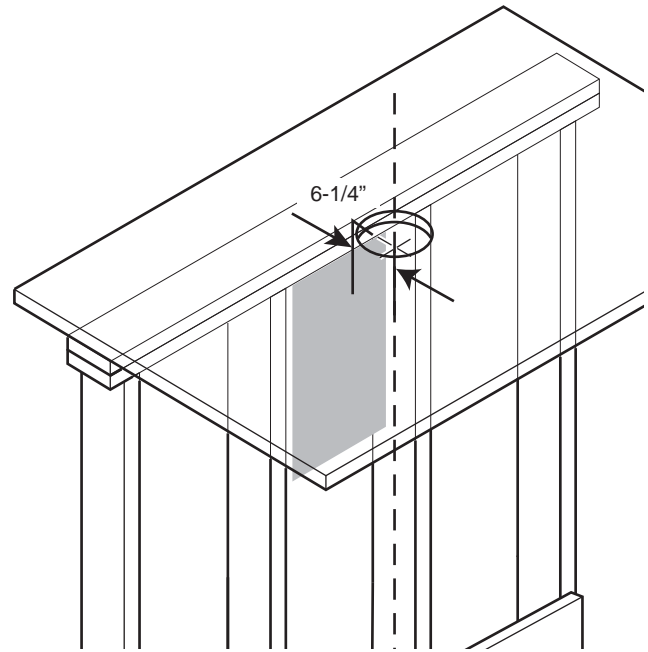
Una conexión inadecuada del conductor de conexión a tierra del equipamiento puede provocar un riesgo de descarga eléctrica. Consulte a un electricista calificado o representante de servicio técnico si tiene dudas sobre la correcta conexión a tierra del artefacto.

Preparación para la instalación

NUEVA CONSTRUCCIÓN, PLANIFICACIÓN PREVIA O REMODELACIÓN

NOTA: Para acceder a las instrucciones existentes, vaya a la siguiente sección.

- Para una instalación con conducto a través de la parte superior, el agujero para el conducto del cielorraso deberá estar centrado a una distancia de $6\frac{1}{4}$ " de la pared trasera terminada en el espacio de instalación.
- El tablero de la caja de empalmes de la campana está ubicado a $10\frac{1}{2}$ " hacia la izquierda desde el centro de la campana. Asegúrese de que haya una longitud del cableado suficiente como para realizar conexiones eléctricas.



DETERMINE LAS UBICACIONES DE LA CAMPANA, EL CONDUCTO Y EL CABLEADO

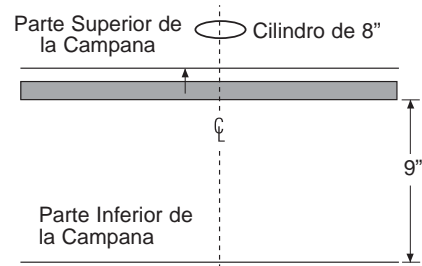
- Esta campana se podrá instalar sobre la pared o debajo del soffito o gabinete.
- Para instalar la campana en el soffito o gabinete, consulte en la página 18 sobre un método de montaje alternativo.
- Mida la distancia deseada desde la parte inferior de la campana hasta la superficie de cocción, con un mínimo de 24" sobre una cocina eléctrica o un mínimo de 30" sobre una cocina a gas y un máximo recomendado de 36".
- Use un nivel para dibujar la ubicación de la línea central de la superficie de cocción o de la cocina.
- Mida 9" desde la línea horizontal que indica la parte inferior de la campana. Dibuje otra línea horizontal para indicar la parte inferior de la barra de instalación.

Para Conductos Verticales (Rectos):

- Si se ventilará a través del cielorraso, extienda la línea central hacia adelante sobre el cielorraso.
 - Mida $6\frac{1}{4}$ " desde la pared de yeso para marcar el punto central para un agujero de conducto con un diámetro de 8" en el cielorraso.
 - Haga un agujero para conducto de 8" de diámetro sobre el cielorraso.

Ventilación a Través del Soffito o Gabinete:

- Siga el mismo procedimiento para conductos verticales (rectos) a través de la parte superior del soffito o gabinete.



Para Conductos a Través de la Pared Trasera:

- NOTA:** Para ventilar a través de la pared trasera, es necesario un codo de 90° que se encuentre instalado sobre el regulador de la campana.
- Mida la altura desde la parte superior de la campana hasta el centro del codo.
 - Dibuje una línea horizontal sobre la pared que intersecta la línea central.
 - Haga un agujero de 8" de diámetro en el punto de intersección para el conducto.

Preparación para la instalación

DETERMINE LAS UBICACIONES DE LA CAMPANA, EL CONDUCTO Y EL CABLEADO (Cont.)

Ubicación del Cableado Hogareño:

- La caja de empalmes se encuentra ubicada dentro del cuerpo de la campana sobre el lado izquierdo. Consulte las ilustraciones para conocer las ubicaciones del tablero de la campana.

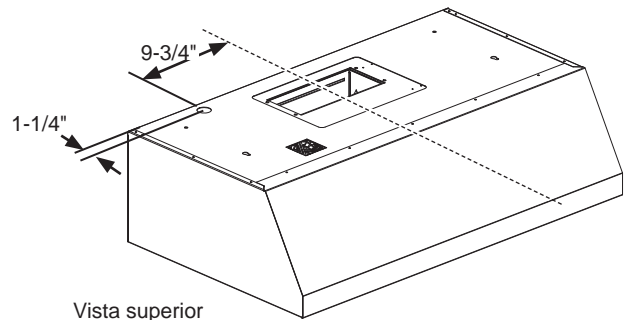
El cableado hogareño podrá ingresar a la caja de empalmes desde la parte trasera o desde la parte superior de la campana, sobre el lado izquierdo.

Para conducir el cableado hogareño a través del cielorraso, soffito o gabinete:

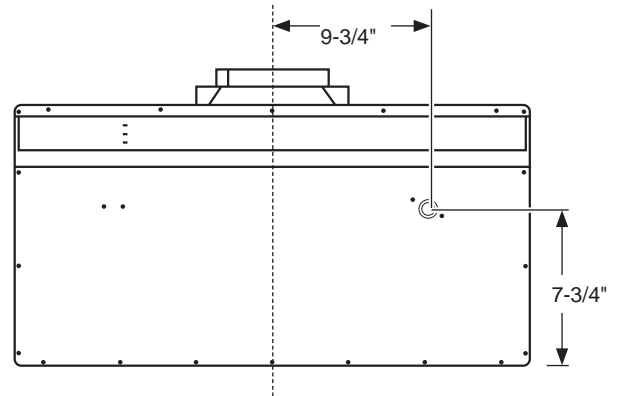
- Haga un agujero de aproximadamente $1\frac{1}{4}$ " de diámetro en la parte delantera del cielorraso, a una distancia $9\frac{3}{4}$ " sobre la izquierda de la línea central.

Para conducir el cableado hogareño a través de la pared:

- Mida $7\frac{3}{4}$ " desde la parte inferior de la campana y marque la ubicación.
- Haga un agujero de aproximadamente $1\frac{1}{4}$ " de diámetro en la ubicación marcada a una distancia $9\frac{3}{4}$ " sobre la izquierda de la línea central.
- Retire el tablero superior o trasero, dependiendo de su instalación.



Vista superior

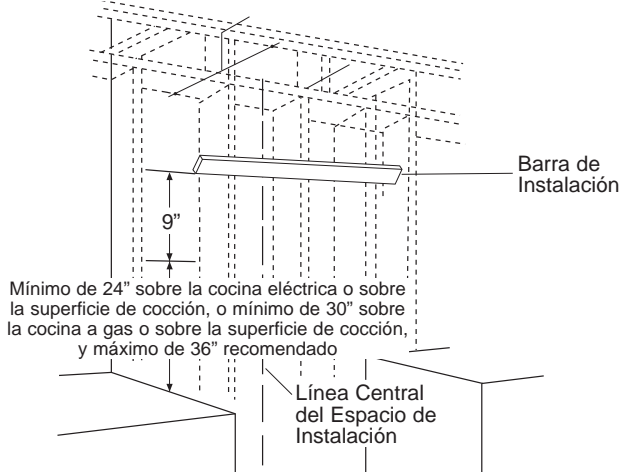


Vista trasera

1 INSTALACIÓN DEL SOPORTE DE LA CAMPANA

IMPORTANTE: El marco deberá poder sostener 100 lbs

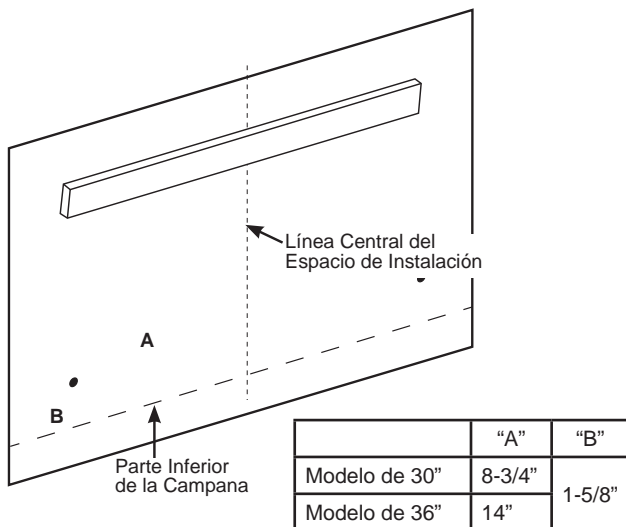
- Ubique mínimamente 2 vigas verticales para la barra de instalación, golpeando la pared de yeso con un martillo o usando un detector de vigas.
- Nivele la barra de instalación y centre de izquierda a derecha sobre la línea marcada. Sostenga la barra contra la pared.



- Perfore agujeros piloto de 1/8" en las 2 ubicaciones de montajes verticales, a través de los agujeros del soporte de instalación. Asegure la barra de instalación con los tornillos suministrados (A) como se muestra más arriba.

Perfore las Ubicaciones de los Agujeros de Montaje Inferiores:

- Cuelgue la campana sobre la barra de instalación o use la siguiente tabla para marcar las ubicaciones de los agujeros de los tornillos. **NOTA:** Si la instalación se hará en el soffito o gabinete, presione la campana hasta que quede nivelada con el soffito o gabinete antes de marcar las ubicaciones de los agujeros para los tornillos.
- Retire la campana y perfore agujeros de 5/16" en el espacio libre sobre las posiciones "A" y "B".



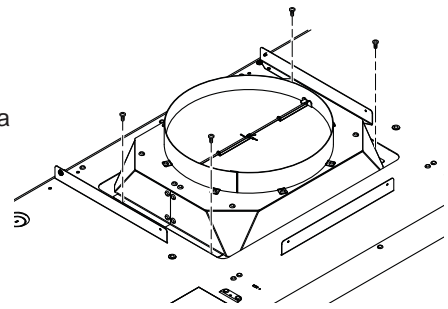
1 INSTALACIÓN DEL SOPORTE DE LA CAMPANA (Cont.)

- Instale los anclajes de pared (C) golpeando los mismos con un martillo para asentar los dientes de las bridas sobre la pared. Esto evita que el anclaje ruede.
- Coloque los tornillos de anclaje hasta que los cilindros queden enganchados dentro de la pared.
- Retire los tornillos de los anclajes de pared antes de instalar la campana.

2 INSTALACIÓN DEL REGULADOR

IMPORTANTE: Retire la cinta de embalaje del regulador y controle que este último se mueva libremente.

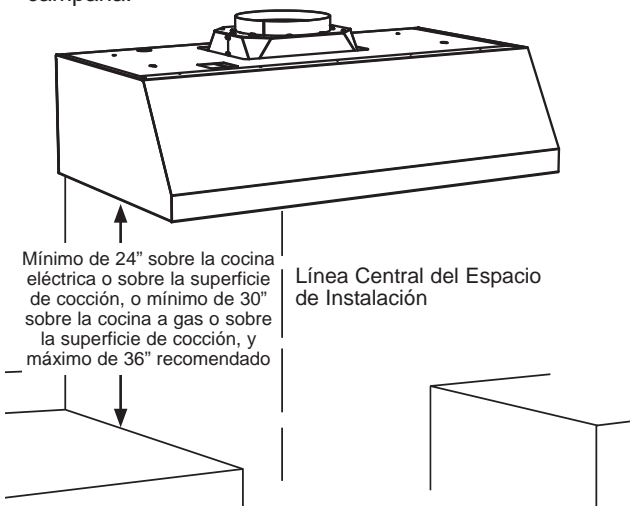
- Instale el regulador sobre el cuerpo de la campana usando tornillos (B) desde la parte superior de la campana, como se muestra en la siguiente imagen.



- Use cinta de conducto para sellar la conexión.

3 INSTALE LA CAMPANA EN LA PARED

- Pase el cableado hogareño a través del tablero sobre la parte trasera o superior de la campana.
- Levante la campana y coloque la misma sobre los ganchos en la barra de instalación. Permita que la campana se deslice hasta su posición.
- Asegúrese de que la campana esté nivelada y centrada.
- Ajuste los tornillos de anclaje de pared (C) para finalizar la instalación del cuerpo de la campana sobre la pared.
- Retire la tapa de la caja de empalmes dentro de la campana.



Instrucciones de Instalación

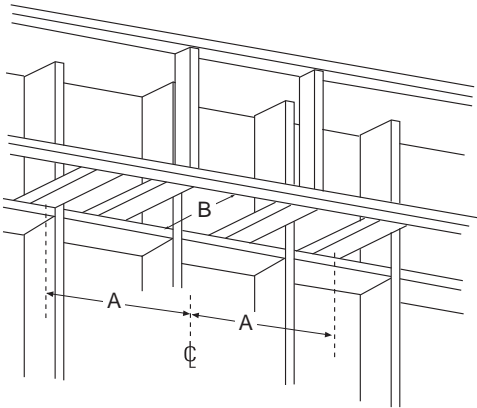
4 (Método Alternativo de Montaje) INSTALE LA CAMPANA EN EL SOFITO O GABINETE

SALTEE ESTE PASO SI USARÁ UN MÉTODO DE MONTAJE DE PARED

IMPORTANTE: El marco del soffito o gabinete deberán poder sostener 100 lbs.

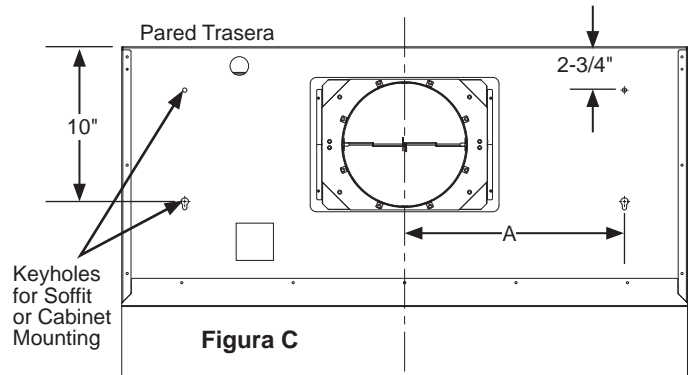
Cuando sea necesario, la campana podrá ser instalada de modo que sea sostenida por el soffito o gabinete.

- El soffito deberá estar construido de vigas de 2"x4".
- Use un nivel para dibujar la línea central de la superficie de cocción o de la cocina.
- Continúe la línea central hacia delante en la parte inferior del soffito.
- Instale los soportes de madera horizontales entre las vigas de 2"x4", a la distancia A hacia la izquierda y derecha, de acuerdo con la siguiente tabla.

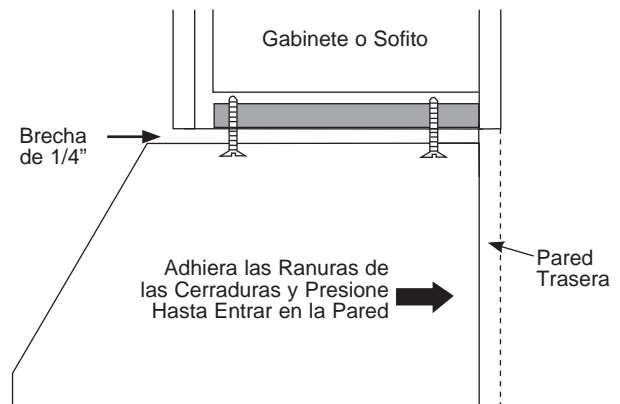


	"A" Línea Central hasta la Viga Central	"B" Abertura para el Conducto
30" Modelos	8-3/4"	8-3/8" x 11-1/4"
36" Modelos	14"	

- Perfore dos agujeros piloto de 1/8" en una distancia de 10" desde la pared trasera en los soportes de madera horizontales. Ésta es la distancia vertical entre las ranuras de montaje y la pared trasera, como se muestra en la Figura C.
- Perfore otros dos agujeros piloto de 1/8" en una distancia de 2-3/4" desde la pared trasera en los soportes de madera horizontales. Ésta es la distancia vertical entre los agujeros de los tornillos de montaje y la pared trasera, como se muestra en la Figura C.
- Para la ventilación superior, deje una abertura mínima (Diám. B) para ubicar el regulador en el soffito o gabinete.



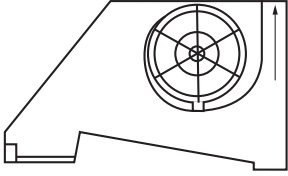
- Conduzca los tornillos de montaje (A) por las vigas hasta que sobresalgan 1/4". Esta brecha de 1/4" brindará espacio libre para adherir las ranuras en la parte superior de la campana.
- La campana también se deberá asegurar a la pared trasera. Siga las instrucciones de la página 17, "Perfore las Ubicaciones de los Agujeros de Montaje Inferiores" para la instalación sobre la pared trasera.
- Siga las instrucciones de la página 16, "Ubicaciones del Cableado Hogareño", para la configuración del cableado.
- Levante la campana sobre los tornillos de montaje. Vuelva a deslizar la misma sobre la pared trasera.
- Pase el cableado hogareño a través del tablero sobre la parte trasera o superior de la campana.
- Ajuste los tornillos de montaje (A).
- Una vez que la campana se encuentre asegurada al soffito o gabinete, coloque los tornillos (C) para asegurar la campana a la pared trasera.



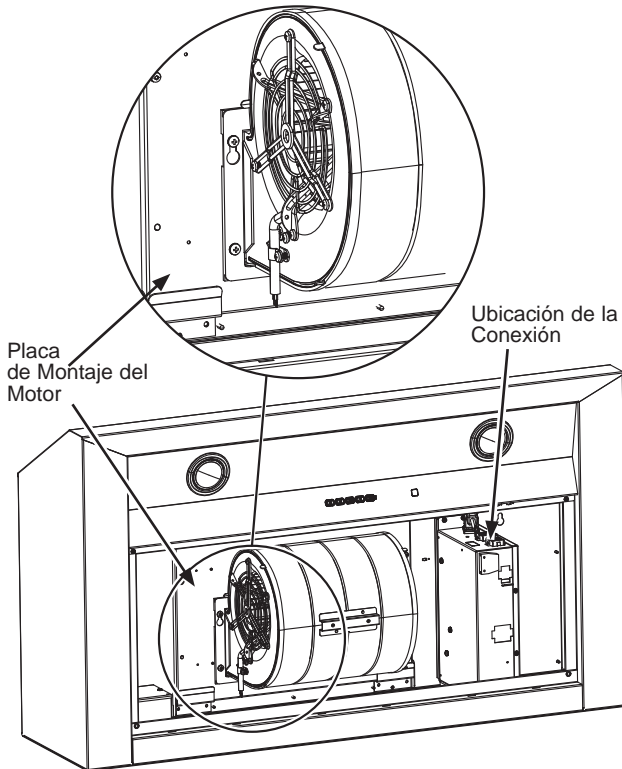
Instrucciones de Instalación

5 INSTALE EL MOTOR

1. Alinee la ventilación del motor con el regulador superior, como se muestra en la siguiente figura.



2. Asegure el motor a la placa de montaje del mismo usando los tornillos (D).



3. Enchufe el motor en la conexión correspondiente sobre la unidad de control.

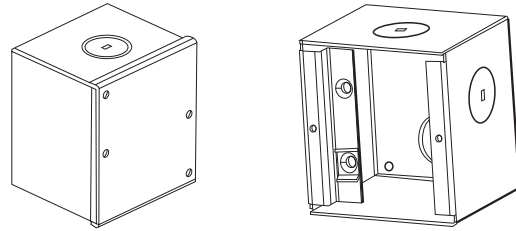
6 CONEXIÓN DE LA ELECTRICIDAD

Verifique que la corriente esté apagada en la fuente.

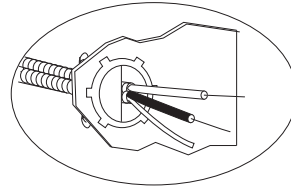
⚠ ADVERTENCIA

Si el cableado del hogar no tiene 2 cables con uno a tierra, el instalador deberá proveer una conexión a tierra. Cuando el cableado hogareño sea de aluminio, asegúrese de usar un compuesto antioxidante y conectores de aluminio a cobre aprobados por UL.

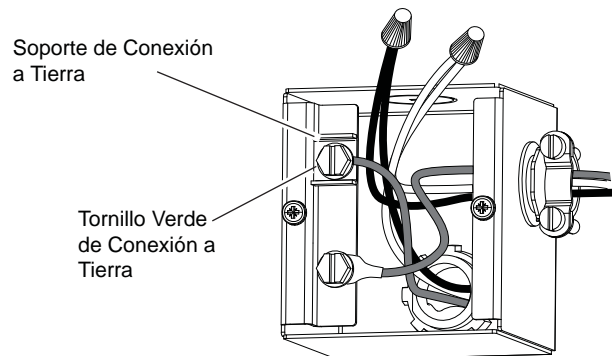
- Retire la tapa de la caja de empalmes.



- Pase el cableado hogareño a través del tablero en la parte superior o trasera de la campana y asegure el mismo con un amortiguador de refuerzo.



- Use tuercas para cables de la lista de UL para conectar los cables entrantes blanco con blanco y negro con negro.
- Afloje el tornillo de conexión a tierra verde (con el soporte de conexión a tierra) en la caja de empalmes. Enrolle el cable hogareño de cobre sólido en dirección horaria alrededor del tornillo de conexión a tierra verde y sobre el soporte. De manera firme, ajuste el tornillo sobre el rollo.



- Reemplace la tapa de la caja de empalmes y asegúrese de que los cables no hayan sufrido pellizcos.

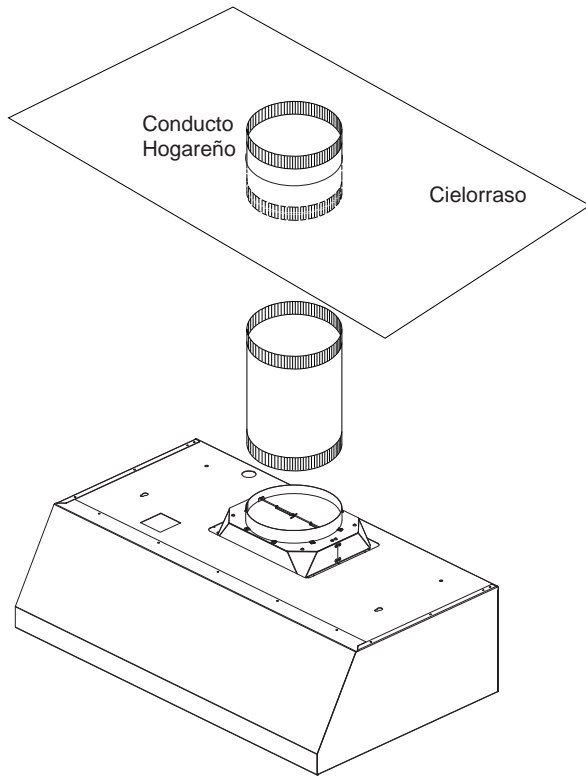
NOTA: Para una instalación con cables: use la misma sólo con los kits de conexión de cables para campanas de cocina que fueron investigados y que se encontró que su uso es aceptable con este modelo de campana para cocina.

Instrucciones de Instalación

7 CONECTE EL CONDUCTO

A. Instalación de la Ventilación

- Conecte el conducto hogareño al regulador superior, como se muestra en la siguiente imagen.
- Selle todas las conexiones con cinta para conductos.



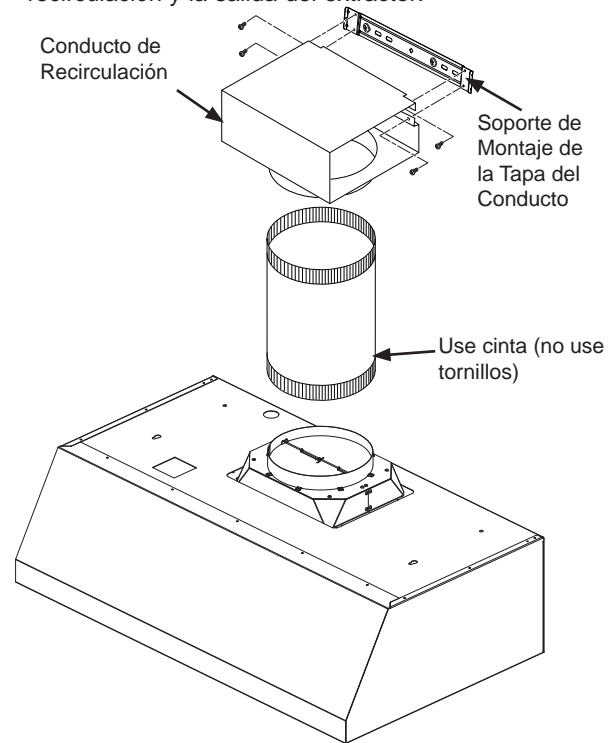
⚠ PRECAUCIÓN

No use tornillos metálicos para planchas en la transición a la conexión del conducto. Hacer esto impedirá el funcionamiento correcto de los reguladores. Selle la conexión con cinta únicamente.

B. Instalación de la Recirculación (no ventilada)

NOTA: Un conducto de recirculación (WB34X30519) y un Filtro de Carbón (UXCF91) no se encuentran incluidos con la campana y son necesarios para la instalación de la recirculación.

1. Adhiera el conducto de recirculación al soporte de montaje de la tapa del conducto con los tornillos provistos.
2. Conecte el conducto desde la salida del extractor de la campana hasta el conducto de recirculación. Use cinta de conductos para sellar toda las conexiones de la caja de recirculación y la salida del extractor.

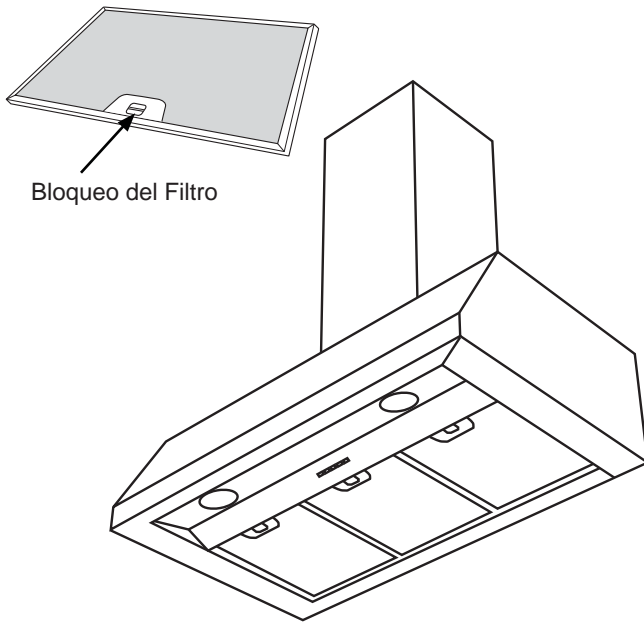


8 INSTALE LAS TAPAS DE LOS CONDUCTOS

- Los Accesorios de la Tapa del Conducto están disponibles en GEApplianceparts.com o llamando al 877.959.8688. Consulte la sección de Accesorios en la página 27.
- Siga las instrucciones incluidas con el accesorio de la tapa del conducto para instalar las tapas de conducto.

9 INSTALACIÓN DE LOS FILTROS

- Siga las instrucciones de "Filtros" en la página 7 para instalar o retirar filtros.



Instrucciones de Instalación

TECNOLOGÍA DE REPOSICIÓN DE AIRE

Esta operación deberá ser realizada por un técnico o instalador calificado.

Nota para los Instaladores e Inspectores: Este producto está equipado con una función de instalación simple que limita los niveles máximos de CFM, a fin de cumplir con ciertos códigos o regulaciones locales. Es posible que este método de instalación no sea necesario en todas las instalaciones; para acceder a más pautas, por favor consulte sus códigos locales.

⚠ PRECAUCIÓN

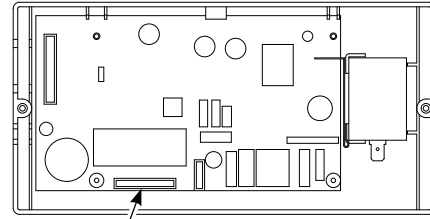
La campana deberá ser desconectada de la alimentación de corriente principal, antes de seguir las instrucciones de conversión que figuran a continuación. Si no se siguen estos pasos, se podrán producir lesiones personales o daños sobre el producto.

Para modificar la unidad (si es necesario para cumplir con los códigos locales): 390CFM

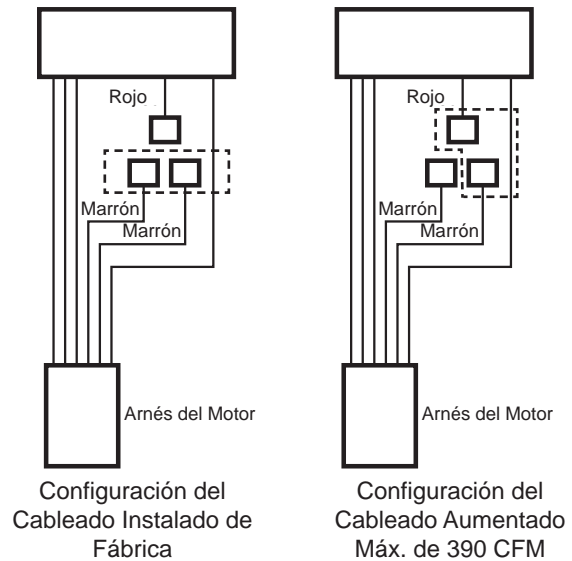
Por diseño, la velocidad máxima del calefactor es superior a los 400 CFM. Si los códigos locales requieren una reducción de los CFM, modifique el cableado como se describe a continuación:

1. Retire los filtros de grasa.
2. Desconecte todos los arneses de la caja de control superior ubicada sobre el lado derecho del motor.
3. Afloje los tornillos sobre la parte superior de la caja de control y deslice la misma para retirarla de la campana.
4. Desinstale la tapa de la caja de control.
5. Para un máximo de 390 CFM con 4 velocidades (Baja, Media, Alta y Aumentada):
 - i. Desconecte los conectores del cable MARRÓN.
 - ii. Retire la tapa adherida al conector del cable ROJO.
 - iii. Coloque el conector correspondiente al cable MARRÓN y al cable ROJO.
 - iv. Adhiera la tapa al enchufe del cable **MARRÓN** abierto.
6. Instale la caja de control y asegure la misma al soporte de la campana usando los dos tornillos.
7. Conecte todos los arneses sobre la parte superior de la caja de control.
8. Vuelva a instalar los filtros de Grasa.

Nota para los Inspectores: A fin de verificar la instalación de este producto, controle las conexiones del cableado del motor como se describe más arriba.



Conector del Arnés del Motor



Consejos para la Solución de Problemas... Antes de solicitar el servicio técnico

¡Ahorre tiempo y dinero! Primero revise los cuadros que aparecen en las siguientes páginas y es posible que no necesite solicitar reparaciones.

Problema	Causas posibles	Qué hacer
El Ventilador/ la Luz no funciona cuando el botón está en ON (Encendido)	El fusible puede haberse quemado o el interruptor decircuitos puede haber saltado.	Cambie los fusibles o reconfigure el interruptor de circuitos.
Ruido de flujo de aire muy elevado o anormal	Tamaño de conducto incorrecto utilizado en la instalación.	Esta campana requiere un conducto de 8" para funcionar de manera óptima. El uso de un conducto más pequeño hará que la ventilación se reduzca. Minimice la longitud del conducto y el número de transiciones y codos. Los técnicos de GE Appliances no pueden corregir este problema si hay una instalación inadecuada.
El ventilador no hace circular aire o desplaza el aire más despacio que lo normal y/o hace ruido de flujo de aire elevado o anormal	Obstrucciones en el conducto.	Verifique que no haya obstrucciones en la ventilación. Controle que la cubierta de pared o casquete de techo tengan una hoja o puerta.
	La hoja del regulador de tiro de la cubierta de pared o casquete de techo puede estar cerrada.	Asegúrese de que el regulador de tiro se mueva libremente. Las hojas del regulador de tiro pueden darse vuelta y no se abrirán por completo cuando esto suceda. Ajústela con la posición original.
	El filtro de grasa metálico y el filtro de carbón (si lo hubiera) pueden estar sucios.	Limpie el filtro de grasa metálico y vuelva a colocar el filtro de carbón (si lo hubiera). Ver Cuidado y limpieza de la campana de ventilación.
El ventilador continúa encendiéndose y apagándose.	Es posible que el motor se esté sobrecalentando y apagando solo. Esto puede ser nocivo para el motor.	Asegúrese de que los filtros estén limpios. Si el ciclo de encendido y apagado continúa, comuníquese al servicio técnico.
La campana no funciona de forma remota	Problemas en el enrutador, no hay señal inalámbrica, etc.	Para solicitar asistencia para la conectividad de la red inalámbrica de la campana, por favor comuníquese al 800.220.6899.
	La campana no se encuentra conectada.	

Garantía Limitada de la Cocina Eléctrica de GE Appliances

GEAppliances.com

Todo el servicio de garantía es provisto por nuestros Centros de Servicio de Fabricación, o un técnico autorizado de Customer Care®. Para programar una visita del servicio técnico a través de Internet, visítenos en GEAppliances.com/service_and_support/, o llame al 800.GE.CARES (800.432.2737). Cuando llame para solicitar el servicio, tenga los números de serie y modelo disponibles.

Para realizar el servicio técnico de su electrodoméstico, se podrá requerir el uso de datos del puerto de abordaje para su diagnóstico. Esto da al técnico del servicio de fábrica de GE Appliances la habilidad de diagnosticar de forma rápida cualquier problema con su electrodoméstico, y de ayudar a GE Appliances a mejorar sus productos al brindarle a GE Appliances la información sobre su electrodoméstico. Si no desea que los datos de su electrodoméstico sean enviados a GE Appliances, solicitamos que le indique a su técnico no entregar los datos a GE Appliances en el momento del servicio.

Por el Período de	GE Appliances reemplazará
Un Año Desde la fecha de la compra original	Cualquier pieza del producto de cocción que falle debido a un defecto en los materiales o la fabricación. Durante esta garantía limitada de un año , GE Appliances también proveerá, sin costo , todo el trabajo y costos del servicio relacionados con el reemplazo de la pieza defectuosa.

Qué no cubrirá GE Appliances:

- Viajes del técnico del servicio a su hogar para enseñarle sobre cómo usar el producto.
- Instalación, entrega o mantenimiento inadecuados.
- Fallas del producto en caso de abuso, mal uso, modificación o uso para propósitos diferentes al original o uso comercial.
- Reemplazo de fusibles de la casa o reinicio de disyuntores.
- Daños ocasionados sobre el producto por accidente, incendio, inundaciones o catástrofes naturales.
- Daños incidentales o consecuentes causados por posibles defectos sobre este producto.
- Daños sobre el acabado, tales como óxido sobre la superficie, deslustres o manchas pequeñas no informadas dentro de las 48 horas luego de la entrega.
- Daño causado después de la entrega.
- Producto no accesible para brindar el servicio requerido.
- Marcas o manchas (incluyendo manchas de óxido sobre la superficie) que pueden ser eliminadas siguiendo las instrucciones de limpieza.
- Solicite el servicio técnico para reparar o reemplazar las lámparas, excepto las lámparas LED.

EXCLUSIÓN DE GARANTÍAS IMPLÍCITAS

Su única y exclusiva alternativa es la reparación del producto, como se indica en la Garantía Limitada. Las garantías implícitas, incluyendo garantías implícitas de comerciabilidad o conveniencia sobre un propósito particular, se limitan a un año o al período más corto permitido por la ley.

Esta garantía limitada se extiende al comprador original y a cualquier dueño subsiguiente de productos comprados para uso hogareño dentro de EE.UU. Si el producto está en un área donde no se encuentra disponible un Proveedor Autorizado del Servicio Técnico de GE Appliances, usted será responsable por el costo de un viaje o se podrá requerir que traiga el producto a una ubicación del Servicio Técnico de GE Appliances autorizado para recibir el servicio. En Alaska, la garantía limitada excluye el costo de envío o llamadas del servicio a su hogar. Algunos estados no permiten la exclusión o limitación de daños fortuitos o consecuentes. Esta garantía limitada le da derechos legales específicos y es posible que tenga otros derechos legales que varían entre un estado y otro. Para conocer cuáles son sus derechos legales, consulte a la oficina de asuntos del consumidor local o estatal o al Fiscal de su estado.

Garante: GE Appliances, a Haier company

Garantías Extendidas: Adquiera una garantía extendida de GE Appliances y conozca los descuentos especiales que están disponibles mientras su garantía aún está vigente. Puede acceder a la misma a través de Internet en cualquier momento en

GEAppliances.com/extended-warranty

o llamando al 800.626.2224 durante el horario comercial. Los Servicios para los GE Appliances aún estarán disponibles cuando su garantía caduque.

Abroche su recibo aquí. Para acceder al servicio técnico de acuerdo con la garantía deberá contar con la prueba de la fecha original de compra.

Accesorios

¿Busca Algo Más?

GE Appliances ofrece una variedad de accesorios para mejorar sus experiencias de cocción y mantenimiento!

Para acceder a números telefónicos e información de sitios Web, consulte la página de Soporte para el Consumidor.

Estos y otros productos están disponibles:

Piezas

Filtros de grasa

Tapas de Conductos

Filtros de Carbón

Kit de Recirculación

Control Remoto

Panel de Relleno del Gabinete de 15"

Kit del Cable de Corriente

Suministros de Limpieza

Limpiadores de Acero Inoxidable CitriShine

Limpiador para Electrodomésticos de Acero Inoxidable

Bar Keepers Friend Soft Cleanser™

Soporte para el Consumidor

Sitio Web de GE Appliances

¿Desea realizar una consulta o necesita ayuda con su electrodoméstico? ¡Intente a través del Sitio Web de GE Appliances las 24 horas del día, cualquier día del año! Usted también puede comprar más electrodomésticos maravillosos de GE Appliances y aprovechar todos nuestros servicios de soporte a través de Internet, diseñados para su conveniencia.

En EE.UU.: GEAppliances.com

Registre su Electrodoméstico

¡Registre su electrodoméstico nuevo a través de Internet, según su conveniencia! Un registro puntual de su producto permitirá una mejor comunicación y un servicio más puntual de acuerdo con los términos de su garantía, en caso de surgir la necesidad. También puede enviar una carta en la tarjeta de inscripción preimpresa que se incluye con el material embalado.

En EE.UU.: GEAppliances.com/register

Servicio Programado

El servicio de reparación de expertos de GE Appliances está a sólo un paso de su puerta. Conéctese a través de Internet y programe su servicio a su conveniencia cualquier día del año. En EE.UU.: GEAppliances.com/ge/service-and-support/service.htm o comuníquese al 800.432.2737 durante el horario de atención comercial.

Garantías Extendidas

Adquiera una garantía extendida de GE Appliances y conozca los descuentos especiales que están disponibles mientras su garantía aún está vigente. La puede adquirir en cualquier momento a través de Internet. Los servicios de GE Appliances aún estarán allí cuando su garantía caduque.

En EE.UU.: GEAppliances.com/ge/service-and-support/shop-for-extended-service-plans.htm

o comuníquese al 800.626.2224 durante el horario de atención comercial.

Conectividad Remota

Para solicitar asistencia para la conectividad de red inalámbrica (para modelos con acceso remoto), visite nuestro sitio web en GEAppliances.com/ge/connected-appliances/ o comuníquese al 800.220.6899 en EE.UU.

Piezas y Accesorios

Aquellos individuos calificados para realizar el servicio técnico de sus propios electrodomésticos podrán solicitar el envío de piezas o accesorios directamente a sus hogares (se aceptan las tarjetas VISA, MasterCard y Discover). Ordene hoy a través de Internet durante las 24 horas, todos los días. En EE.UU.: GEApplianceparts.com o de forma telefónica al 877.959.8688 durante el horario de atención comercial.

Las instrucciones que figuran en este manual cubren los procedimientos que serán realizados por cualquier usuario. Otros servicios técnicos generalmente deben ser derivados a personal calificado del servicio. Se deberá tener cuidado, ya que una reparación indebida podrá hacer que el funcionamiento no sea seguro.

Contáctenos

Si no se encuentra satisfecho con el servicio que recibió de GE Appliances, comuníquese con nosotros a través de nuestro sitio Web con todos los detalles, incluyendo su número telefónico, o escriba a:

En EE.UU.: General Manager, Customer Relations | GE Appliances, Appliance Park | Louisville, KY 40225

GEAppliances.com/ge/service-and-support/contact.htm