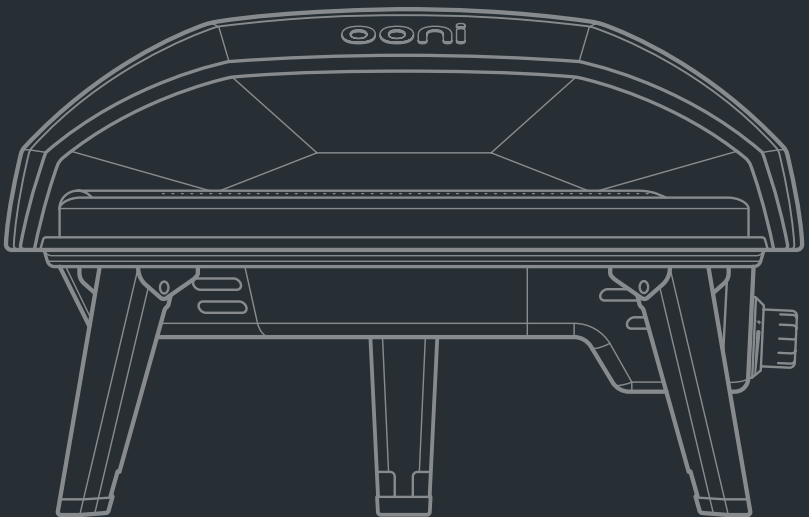




Koda 16

Manual & Safety Instructions

NORTH AMERICA



⚠ WARNING

To reduce the risk of fire, burn hazard or other injury, read this safety manual carefully and completely before using this appliance.

⚠ WARNING

Before cleaning, make sure the gas supply and control knob is in the OFF position and that the burner and oven has cooled.

⚠ DANGER

- **Never operate this appliance unattended.**
- **If a fire should occur, keep away from the appliance and immediately call your fire department. Do not attempt to extinguish an oil or a grease fire with water.**

Failure to follow these instructions could result in fire, explosion or burn hazard which could cause property damage, personal injury or death.

⚠ DANGER

If you smell gas:

- **Shut off gas to the appliance**
- **Extinguish any open flame**
- **If odor continues, keep away from the appliance and immediately call your gas supplier or your fire department.**

Failure to follow these instructions could result in fire, explosion or burn hazard which could cause property damage, personal injury or death.

⚠ WARNING

Use in a well-ventilated location

⚠ WARNING

Spiders and insects can nest inside the burner of the appliance and disrupt gas flow. Inspect the burner at least once a year. A clogged tube can lead to a fire beneath the appliance.

⚠ WARNING

- Keep the fuel supply hose away from any heated surface(s).
- The use of alcohol, prescription or non-prescription drugs may impair the consumer's ability to properly assemble or safely operate the appliance.
- Keep children and pets away from the appliance at all times.
- Do not move the appliance when in use.
- This appliance is not intended for and should never be used as a heater.

⚠ WARNING

When using a match to light the appliance, make sure to use the included matchstick holder.

⚠ WARNING

Do not store this appliance indoors unless the gas cylinder is disconnected.

⚠ WARNING

Gas cylinders must be stored outdoors, out of the reach of children, and should not be stored in a building, garage, or any other enclosed area.

⚠ WARNING

Check all gas supply fittings for leaks before each use. Do not use the appliance until all connections have been checked and do not leak.

⚠ WARNING

Do not smoke while leak testing. Never leak test with an open flame.

⚠ WARNING

When lighting, keep your face and hands as far away from the appliance as possible.

⚠ WARNING

Minimum clearance from sides of unit to combustible construction is 610mm (24 inches).

Minimum clearance from back of unit to combustible construction is 915mm (36 inches).

⚠ WARNING

This manual states that an oven, fryer or broiler shall not be used on or under any apartment or condominium balcony or deck.

⚠ WARNING

This appliance is not intended to be installed in or on a boat. This appliance is not intended to be installed in or on a recreational vehicle.

⚠ WARNING

This manual includes an instruction to clean and inspect the hose before each use of the appliance. If there is evidence of abrasion, wear, cuts, or leaks, the hose must be replaced prior to the appliance being put into operation. The replacement hose assembly shall be that specified by the manufacturer.

⚠️ WARNING

This instruction manual contains important information necessary for the proper assembly and safe use of the appliance.

Read and follow all warnings and instructions before assembling and using the appliance.

Follow all warnings and instructions when using the appliance. Keep this manual for future reference.

⚠️ WARNING

Keep the fuel supply hose away from any heated surface(s).

⚠️ WARNING

Do not modify the appliance.

❗ **CAUTION:** The burner tube openings must be positioned properly over the valve orifices

⚠️ WARNING

This appliance shall be used only outdoors, and shall not be used in a building, garage, or any other enclosed area.

⚠️ WARNING

This appliance must be kept away from flammable materials during use

⚠️ WARNING

This manual includes a list of required parts necessary for the safe operation of the appliance, directions for proper assembly and for assembly of installed parts and accessories supplied with the appliance, and proper procedures for gas leak testing.

⚠️ WARNING

The appliance should not be located or used under overhead unprotected combustible construction materials or surfaces. For a grill, fryer or broiler, the minimum clearance shall be at least 10ft (3m) from any structure or combustible material.

⚠️ WARNING

Turn off the gas supply at the gas cylinder after use.

⚠️ WARNING

Use outdoors only.

⚠️ WARNING

Do not move the appliance during use.

⚠️ WARNING

Read the instructions before using the appliance.

⚠️ WARNING

Accessible parts may be very hot. Keep young children away

⚠️ LP GAS CYLINDER WARNING

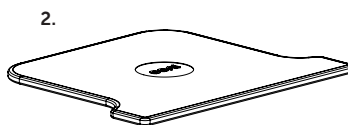
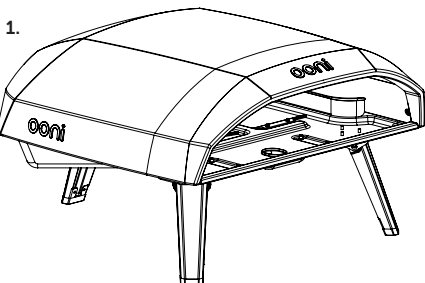
1. Do not store spare liquid propane gas cylinder under or near this appliance.
2. Never fill the cylinder beyond 80 percent capacity.
3. Liquid propane cylinder must be fitted with an OVERFILL PROTECTION DEVICE (OPD).
4. The cylinder supply system must be arranged for vapour withdrawal.
5. If the information above is not followed exactly, a fire resulting in death or serious injury may occur.
6. This manual states that the installation must conform with local codes or, in the absence of local codes, with the National Fuel Gas Code, ANSI Z223.1/NFPA 54, Storage and Handling of Liquefied Petroleum Gases, ANSI/NFPA 58; or Natural Gas and Propane Installation Code, CSA B149.1; Propane Storage and Handling, CSA B149.2
7. The cylinder to be used must be constructed and marked in accordance with the specifications for LP gas cylinders, U.S. Department of Transportation (DOT) or the Standards for cylinders, Spheres and Tubes for the Transportation of Dangerous Goods, CAN/CSA-B339.

⚠️ WARNING

The appliance will be hot during and after use. Use insulated oven mitts or gloves for protection from hot surfaces.

Parts List

1. BG07-100A (Ooni Koda 16)
2. Stone baking board



Before lighting

Inspect the gas supply hose prior to turning on the gas. If there is evidence of cut, wear or abrasion, it must be replaced prior to use. Screw the regulator onto the gas cylinder. Leak check the hose and regulator connections with a soap and water solution before lighting the appliance. Only the pressure regulator and gas hose assembly supplied with this appliance should be used. The hose should comply with the standard EN16436. The regulator should comply with the standard EN16129. If replacement pressure regulators and hose assemblies are required, they should be those specified by the appliance manufacturer, Ooni Limited.

Safety practices to avoid injury

When properly cared for, your oven will provide safe, reliable service for many years. However, extreme care must be used as the oven produces intense heat that can increase the risk of accidents.

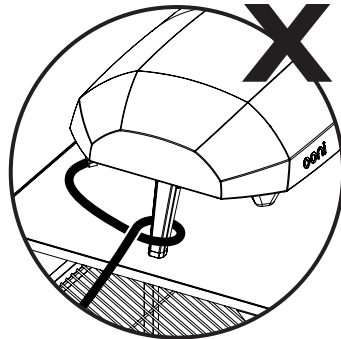
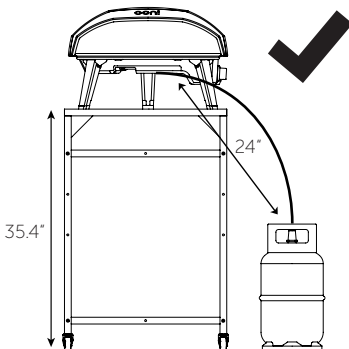
When using this oven basic practices must be followed, including but not limited to following:

- Do not repair or replace any part of the oven unless specifically recommended in this manual. All other service should be referred to a qualified technician.
- Children should not be left alone or unattended in an area where the oven is being used. Do not allow children to sit, stand or play around the oven at any time.
- Never let clothing or other flammables come in contact with or too close to any burner or hot surface until it has cooled. The fabric could ignite, causing serious personal injury.
- For personal safety, wear proper apparel. Loose fittings garments or sleeves should never be worn while using the oven. Some synthetic fabrics are highly flammable and should not be worn while cooking.
- Do not heat unopened food containers as a build-up of pressure may cause the containers to burst. When lighting the burner, always pay close attention to what you are doing.
- When using the oven, do not touch the outer shell, stone baking board or immediate surroundings as these areas become extremely hot and could cause burns.
- Do not use the oven to cook extremely fatty meats or other products which increase flare-up.
- Keep the area surroundings the oven free from combustible material including fluids, trash and vapours such as gasoline or charcoal lighter fluid.
- Do not obstruct the flow of combustion and ventilation air.
- Never use the oven in extremely windy conditions.
- The temperature under the oven is high. Do not place the oven on a table with flammable table clothes, plastic or any other inflammable materials.

Connecting the gas hose to your Koda 16

! Always route the gas hose away from the oven. The hose must not touch the oven body.

! **WARNING** Hose pipe can be a tripping hazard

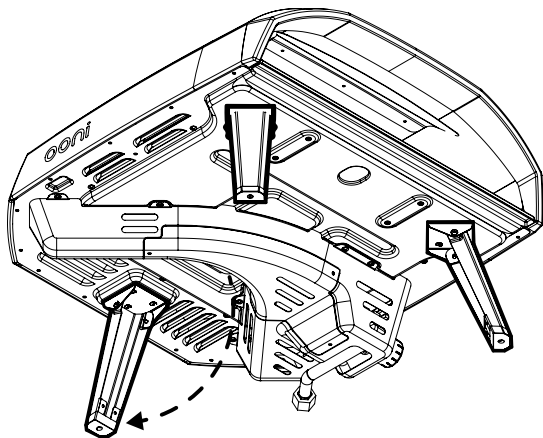


Assembly

Before assembly, make sure all parts are present. If any part is missing or damaged, do not attempt to assemble the appliance. Contact customer service for replacement parts.

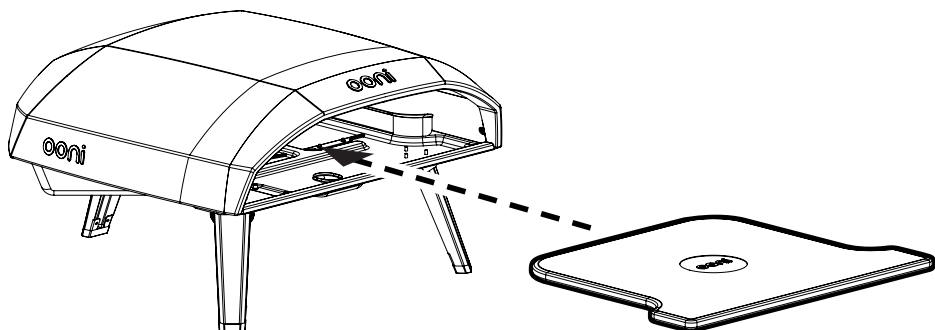
Step 1

Unfold the legs



Step 2

Insert the stone baking board



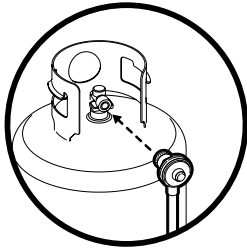
Step 3

Connect to gas canister

Regulators will vary depending on region.

⚠ WARNING

- Please always keep the gas bottle in upright position.
- The size for 13kg (28lbs) LP gas cylinder is 315mm (12.4 inches) in diameter and 580mm (22.4 inches) in height.
- If the appliance is not in use, the gas must be turned off at the supply cylinder.
- The cylinder used must include a collar to protect the cylinder valve.
- The minimum distance for the appliance and the 13kg (28lbs) gas tank is 635mm (25 inches) apart



QCC1 gas regulator

This gas fitting is clockwise. Make sure that the tank is completely switched off and screw the regulator as far as possible into the gas tank valve.

Connecting the liquid propane gas cylinder

1. The cylinder valve should be in OFF position.
2. Make sure the burner valve is in OFF position.
3. Inspect the valve connections, port and regulator assembly. Remove debris and inspect the hose for damage.
4. When connecting the regulator assembly to the valve, use your hand to tighten the nut clockwise until it stops. Use of a wrench could damage the quick coupling nut and result in a hazardous situation.
5. Open the cylinder valve fully by turning the valve counter-clockwise.
6. Before lighting the oven, use a soap and water solution to check all connections for leaks.
7. If a leak is found, turn the cylinder valve OFF, and do not use the oven until local liquid propane dealer can make repairs.

Disconnecting the liquid propane gas cylinder

1. Turn the oven burner valve OFF and make sure the oven is cool.
2. Turn the liquid propane cylinder valve OFF by turning clockwise until it stops.
3. Detach the regulator assembly from the cylinder valve by turning the quick coupling nut counter-clockwise.
4. Place dust cap for cylinder valve outlet whenever the cylinder is not in use. Only install the type of dust cap on the cylinder valve outlet that is provided with the cylinder valve. Other types of caps or plugs may result in leakage of propane.

Converting to Fixed Fuel Systems (Large Propane Tank)

⚠ WARNING

FIRE, EXPLOSION, AND CARBON-MONOXIDE HAZARD

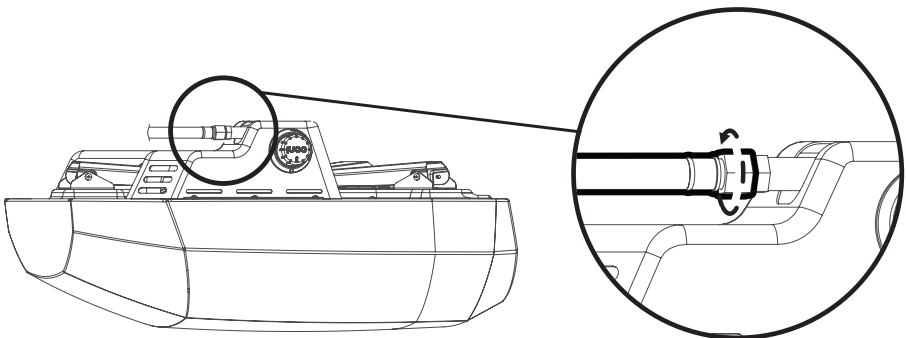
If the information in these instructions is not followed exactly, a fire, explosion, or production of carbon monoxide may result causing property damage, personal injury, or loss of life.

This conversion kit shall be installed by a qualified agency in accordance with the appliance ,manufactures instructions and all applicable codes and requirements of the Authority Having Jurisdiction. The qualified agency is responsible for the proper installation of this kit. The Installation is not proper and complete until the operation of the converted appliance is checked as specified in the manufacturer’s instructions supplied with the kit.

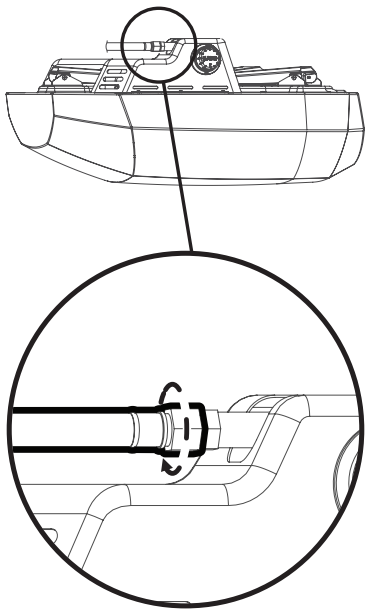
- Only applicable with Ooni Koda 12 and Ooni Koda 16
- **NOT INCLUDED:** DH22 model hose and quick connectors to Fixed Fuel System
- The appliance and its individual shutoff valve must be disconnected from the gas supply piping system during any pressure testing of that system at test pressures in excess of 1/2 psi (3.5kPa).
- The appliance must be isolated from the gas supply piping system by closing its individual manual shutoff valve during any pressure testing of the gas supply piping system at test pressures equal to or less than 1/2 psi (3.5kPa).

Instructions

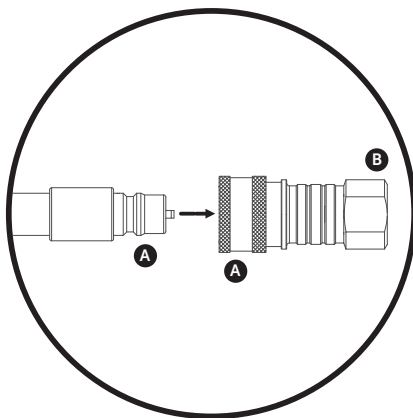
1. **Caution:** Before proceeding with the conversion; shut off the gas supply and ensure the oven is cool to the touch. Remove the baking stone and turn the oven upside down.
2. Remove the gas hose using a 19mm wrench.



3. Attach DH22 gas hose using a 19mm wrench.



4. Attach quick connectors at the end of the gas hose and connect to the fixed fuel system.



5. Perform a leak test to ensure connection is safe and proper. (p.10)

Operating instructions

Using the oven

Each burner is rated at 8.0 kW (572g/h).

To begin:

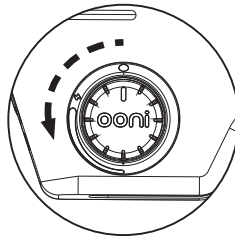
1. Make sure the oven has been leak tested and properly placed.
2. Remove any remaining packing material.
3. Light the burner using the lighting instructions below

Lighting instruction

To light the burner

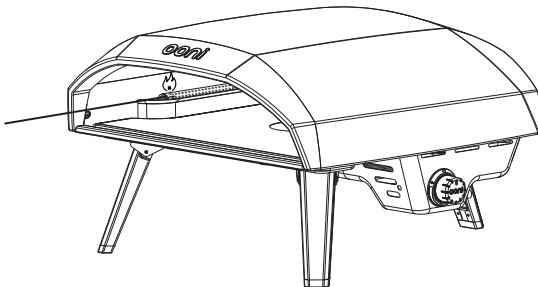
Read all instructions before lighting

1. Make sure the control knob is in OFF position, and then turn the liquid propane cylinder valve ON by slowly turning counter-clockwise.
2. Push in and slowly turn the control knob anticlockwise until you hear a click and the burner ignites.
3. If burner doesn't light within 5 seconds, turn the knob OFF, wait 5 minutes and repeat the lighting.



To light with a match

1. If burner will not light after several attempts using the control knob, the burner may be lit with a match.
2. If you have already attempted to light the burner using the control knob, wait 5 minutes for any gas to dissipate.
3. Insert a match into the matchstick holder, ignite the match and insert through the oven opening to the burner.
4. Push and turn the control knob to HI slowly, the burner should ignite immediately.
5. If the burner does not light within seconds, turn the control knob OFF and wait 5 minutes and try again.



Leak testing

General

Although the gas connections of the appliance are leak tested prior packing and shipment, a complete test must be performed at the installation site.

Before each use, check all the gas connections for leak testing using the procedure listed below. If the smell of gas is detected at any time, you should immediately stop using and check the entire system for leaks.

Before testing

Make sure all packing material has been removed from the appliance.

Make a solution of one part liquid detergent and one part water. You will need a spray bottle, brush or rag to apply the solution to the fittings.

To test

1. Turn the burner valve OFF.
2. Turn the liquid propane cylinder valve on counter-clockwise to open the valve.
3. Apply the soap solution to all gas fittings. Soap bubbles would appear where a leak is present.
4. If a leak is present, immediately turn the gas supply OFF and tighten leaky fittings.
5. Turn the gas back ON and recheck.
6. Should the gas continue to leak from any of the fittings, turn the gas supply OFF and contact customer service.

Care and maintenance

Store Ooni Koda 16 out of direct sunlight and indoors where possible and when storing for extended periods of time. Ooni Koda 16 should not be exposed to harsh weather conditions such as snow, heavy rain and strong winds.

Wait for Ooni Koda 16 to cool completely before moving

The outer shell of Ooni Koda 16 may fade over time and through use. This will not affect performance.

Stone baking board

1. **DO NOT** use the stone over an open flame
2. Avoid extreme temperature change to the stone. **DO NOT** place frozen foods on a hot stone
3. The stone is fragile and can break if bumped or dropped
4. The stone is very hot during use and stays hot for a long time after use.
5. **DO NOT** cool the stone with water when the stone is hot
6. After cleaning the stone with water, please dry the stone before use. This can be done in a conventional oven at 60°C (140°F) for 2 hours.
7. Burnt on food can be cleaned by flipping the stone where it will clean itself due to the high oven temperatures

Oven Interior

Wipe down with a paper towel between uses to remove any debris.

Other areas of oven

Clean when required using a non abrasive sponge

Troubleshooting

Problem	Possible Cause	Prevention/Solution
Burner will not light	<ol style="list-style-type: none"> 1. No gas flow 2. Coupling nut and regulator not fully connected 3. Obstruction of gas flow 4. Disengagement of burner to valve 5. Incorrect assembly 	<ol style="list-style-type: none"> 1. Check to see if propane tank is empty 2. Turn the coupling nut about one-half to three quarters additional turn until solid stop. Tighten by hand only - do not use tools 3. Clear burner tube 4. Re-engage burner and valve 5. Check steps in assembly instructions
Sudden drop in gas flow or low flame	<ol style="list-style-type: none"> 1. Out of gas 	<ol style="list-style-type: none"> 1. Check for gas in propane tank 2. Turn off gas control knob, wait 30 seconds and light oven. If flames are still low, turn off gas control knob and propane tank valve. Disconnect regulator. Reconnect regulator and leak test. Turn on propane tank valve, wait 30 seconds and then light oven.
Flames blow out	<ol style="list-style-type: none"> 1. High or gusting winds 2. Low on propane gas" 	<ol style="list-style-type: none"> 1. Turn front of oven away from wind 2. Refill propane tank 3. Refer to Sudden drop in gas flow above
Flare-up	<ol style="list-style-type: none"> 1. Grease build up 2. Excessive fat in meat 3. Excessive cooking temperature 4. Excess flour on the cooking surface 	<ol style="list-style-type: none"> 1. Clean oven 2. Trim fats from meat before cooking 3. Adjust (lower) temperature accordingly 4. Brush remnant flour from cooking surface
Flashback (fire in burner tube, roaring sound from burner)	<ol style="list-style-type: none"> 1. Burner and/or burner tubes are blocked 2. Pressure drop during ignition 	<ol style="list-style-type: none"> 1. Turn gas control knob off. Clean burner and/or burner tubes. 2. Turn off oven, ensure the tank valve is fully open (if applicable) and relight.

 The Ooni Customer Service can be reached via www.ooni.com or support@ooni.com

Nominal Hourly Gas Consumption

Ooni Koda 16 - Outdoor Use Gas Grill				
Gas Type	Number of Burners	Injector Size Main Burner	Total Gas Consumption BTU	Gas Pressure KPa
Propane	1	1.11	29000	2.74
7iwc NG	1	1.75	29000	1.77

Product technical information

Model number

BG07-100A (Ooni Koda 16)

Product Label

ooni

ANS 221.89-2017 CSA 1.18-2017 Outdoor Cooking Specialty Gas Appliance. For outdoor use only. If stored indoors, detach and leave cylinder outdoors.

Manufacturer: Ooni Limited Model: Ooni Koda 16

- Do not store spare LP-gas cylinder under or near the appliance.
- Never fill the cylinder beyond 80 percent full.
- If the information beyond is not followed exactly, a fire causing death or serious injury may occur.
- Minimal clearance from sides and back of the unit to combustible construction, 24 inches from the sides and 24 inches from the front.
- Do not use the appliance under overhead combustible surfaces.
- CAUTION: For use with a gas appliance regulator. The regulator supplied must be used with this appliance.. This regulator is set for an outlet pressure of 11 iwc.
- Turn off the LP supply at cylinder when appliance is not in use.
- This appliance is not intended for commercial use.
- The instruction manual contains important information necessary for the proper assembly and safe use of the appliance.
- Read and follow all warnings and instructions before assembling and using the appliance.
- Follow all warnings and instructions when using the appliance.
- If instruction or parts are missing contact support.ooni.com

Ooni Limited, Unit 5, Bishopsgate Business Centre,
189 West Main Street, Broxburn, UK, EH52 5LH

LIGHTING INSTRUCTION - TO LIGHT THE BURNER

Read all instructions before lighting

- Make sure the control knob is in OFF position, and then turn the liquid propane cylinder valve ON by slowly turning counterclockwise.
- Push in and slowly turn the control knob anticlockwise until you hear a click and the burner ignites.
- If burner doesn't light within 5 seconds, turn the knob OFF, wait 5 minutes and repeat the lighting.



	Propane	Rate Input (BTU/H)
Components	Orifice Size	
Main Burner	1.11mm	29000

PA-A00034

ooni

Always route the gas hose away from the oven. The hose must not touch the oven body.

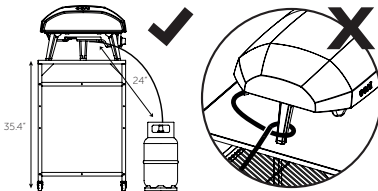
WARNING Hose pipe can be a tripping hazard

Coloca siempre el tubo flexible de gas alejado del horno. El tubo flexible no debe tocar el cuerpo del horno.

ADVERTENCIA El tubo flexible puede generar riesgo de tropiezos

Éloignez toujours le tuyau à gaz du four. Le tuyau ne doit pas toucher à la structure du four.

MISE EN GARDE Le tuyau peut présenter un risque de trébuchement



PA-A00034

ooni

Fabricante: Ooni Limited

Modelo: Ooni Koda 16

Ooni Limited, Unit 5, Bishopsgate Business Centre,
189 West Main Street, Broxburn, Reino Unido, EH52 5LH



- No almacenes la bombona de gas LP de repuesto debajo o cerca del aparato.
- Nunca llenes la bombona más del 80%.
- Si no se siguen al pie de la letra las indicaciones anteriores, puede producirse un incendio que cause la muerte o lesiones graves.
- La distancia mínima entre los laterales y la parte trasera de la unidad a la construcción combustible debe ser de 24 pulgadas por los lados y 24 pulgadas desde la parte delantera.
- No utilices el aparato debajo de superficies elevadas que sean combustibles.
- PRECAUCIÓN: Para usar con un regulador para aparatos de gas. Este aparato debe utilizarse con el regulador suministrado. El regulador está configurado para una presión de salida de 11 iwc.
- Cierra el suministro de LP en la bombona cuando el aparato no esté en uso.
- Este aparato no está diseñado para uso comercial.
- El manual de instrucciones contiene información importante necesaria para el montaje correcto y el uso seguro del aparato.
- Lee y sigue todas las advertencias e instrucciones antes de montar y utilizar el aparato.
- Sigue todas las advertencias e instrucciones cuando utilices el aparato.
- Si faltan instrucciones o piezas, ponte en contacto con support.ooni.com

ooni

INSTRUCCIONES DE ENCENDIDO - PARA ENCENDER EL QUEMADOR: lee todas las instrucciones antes de encenderlo

- Asegúrate de que el mando de control esté en posición de apagado (OFF) y, a continuación, pon la válvula de la bombona de propano líquido en la posición de encendido (ON) girándola lentamente hacia la izquierda.
- Presiona y gira lentamente el mando de control hacia la izquierda hasta que escuches un clic y el quemador se encienda.
- Si el quemador no se enciende en 5 segundos, pon el mando en posición de apagado (OFF), espera 5 minutos y repite el proceso de encendido.

ANS Z21.89-2017 CSA 1.18-2017 Aparato de gas especializado para cocinar al aire libre. Solo para uso en exteriores. Si se almacena en interiores, desconecta la bombona y déjala al aire libre.

	Propano	Tasa de entrada (BTU/h)
Componentes	Tamaño del orificio	
Quegador principal	1.11mm	29000

ooni

Le Fabricant: Ooni Limited
Modeler: Ooni Koda 16
Ooni Limited, Unit 5, Bishopsgate Business Centre,
189 West Main Street, Broxburn, UK, EH52 5LH



- Ne rangez pas le cylindre à gaz de rechange LP sous l'appareil ou à proximité.
- Ne remplissez jamais le cylindre à plus de 80 % de sa capacité.
- Le non-respect des consignes ci-dessus pourrait causer un incendie mortel ou de blessures graves.
- Le dégagement minimum entre les côtés de l'unité et une construction combustible est de 24 po des côtés et de 24 po du devant.
- N'utilisez pas l'appareil sous des surfaces combustibles.
- AVERTISSEMENT : Utilisez seulement le régulateur de pression à gaz fourni avec cet appareil. Ce régulateur est conçu pour une sortie de pression de 11 pouces CE.
- Fermez l'alimentation LP au cylindre lorsque l'appareil n'est pas utilisé.
- Cet appareil n'est pas conçu pour un usage commercial.
- Ce manuel d'instruction comprend d'importantes informations nécessaires au bon assemblage et à l'utilisation sécuritaire de l'appareil.
- Assurez-vous de lire et de suivre tous les avertissements et les instructions avant d'assembler et d'utiliser l'appareil.
- Assurez-vous de suivre tous les avertissements quand vous utilisez l'appareil. Conservez ce manuel à titre de référence.
- Si les instructions ou des pièces sont manquantes, communiquez avec le service d'assistance à support.ooni.com

ooni

INSTRUCTIONS D'ALLUMAGE - POUR ALLUMER LE BRÛLEUR

Lisez bien toutes les instructions avant de procéder à l'allumage

- Assurez-vous que le bouton de commande est en position ARRÊT, puis activez la vanne du cylindre de propane liquide en la tournant lentement dans le sens contraire des aiguilles d'une montre.
- Enfoncez le bouton de commande et tournez-le lentement dans le sens contraire des aiguilles d'une montre jusqu'à ce qu'il s'enclenche et que le brûleur s'allume.
- Si le brûleur ne s'allume pas, fermez le bouton de commande, attendez 5 minutes puis recommencez le processus d'allumage.

ANS Z21.89-2017 CSA 1.18-2017 Cuisiner en plein air spécialisés appareils à gaz. Pour une utilisation extérieure seulement. Si l'appareil est rangé à l'intérieur, retirez le cylindre et laissez-le à l'extérieur.

	Propane	Taux d'entrée (BTU/h)
Composant	Taille de l'orifice	
Brûleur principal	1.11mm	29000

Manufacturer Address:

Ooni Limited, Unit 5, Bishopsgate Business Centre, 189 West Main Street, Broxburn, UK, EH52 5LH

⚠ ADVERTENCIA

Para reducir el riesgo de incendio, el peligro de quemaduras u otras lesiones, lee este manual de seguridad con atención y en su totalidad antes de usar este aparato.

⚠ ADVERTENCIA

Antes de limpiarlo, asegúrate de que el suministro de gas y el mando de control estén en la posición de apagado y de que el quemador y el horno se hayan enfriado.

⚠ PELIGRO

- **No dejes nunca desatendido este aparato mientras esté en uso.**
- **Si se produce un incendio, mantente alejado del aparato y llama inmediatamente a los bomberos. No intentes apagar un incendio de aceite o grasa con agua.**

No seguir estas instrucciones podría provocar un incendio, una explosión o un peligro de incendio que podrían causar daños materiales, lesiones personales o la muerte.

⚠ PELIGRO

Si hueles a gas:

- **Cierra el suministro de gas al aparato.**
- **Apaga cualquier llama abierta.**
- **Si el olor persiste, mantente alejado del aparato y llama inmediatamente a tu proveedor de gas o a los bomberos.**

No seguir estas instrucciones podría provocar un incendio, una explosión o un peligro de incendio que podrían causar daños materiales, lesiones personales o la muerte.

⚠ ADVERTENCIA

Usar en una ubicación bien ventilada

⚠ ADVERTENCIA

Las arañas y los insectos pueden anidar dentro del quemador del aparato e interrumpir el flujo de gas. Inspecciona el quemador al menos una vez al año. Un tubo obstruido puede provocar un incendio debajo del aparato.

⚠ ADVERTENCIA

- Mantén el tubo flexible de suministro de combustible alejado de cualquier superficie caliente.
- El consumo de alcohol y de medicamentos con o sin receta puede afectar a la capacidad del consumidor para montar correctamente el aparato o manejarlo de forma segura.
- Mantén a los niños y las mascotas alejados del aparato en todo momento.
- No muevas el aparato mientras esté en uso.
- Este aparato no está pensado ni debe utilizarse nunca como calentador.

⚠ ADVERTENCIA

Cuando utilices cerillas para encender el aparato, asegúrate de utilizar el soporte para cerillas incluido.

⚠ ADVERTENCIA

No almacenes este aparato en interiores, a menos que la bombona de gas esté desconectada.

⚠ ADVERTENCIA

Las bombonas de gas deben almacenarse al aire libre, fuera del alcance de los niños, y no deben almacenarse en un edificio, garaje o cualquier otra zona cerrada.

⚠ ADVERTENCIA

Comprueba todos los accesorios de suministro de gas en busca de fugas antes de cada uso. No utilices el aparato hasta que se hayan comprobado todas las conexiones y no haya fugas.

⚠ ADVERTENCIA

No fumes durante la prueba de fugas. Nunca hagas una prueba de fugas con una llama abierta.

⚠ ADVERTENCIA

Al encenderlo, mantén la cara y las manos tan alejadas del aparato como sea posible.

⚠ ADVERTENCIA

La distancia mínima entre los laterales de la unidad y la construcción combustible es de 610 mm (24 pulgadas).

La distancia mínima entre la parte trasera de la unidad y la construcción combustible es de 915 mm (36 pulgadas).

⚠ ADVERTENCIA

Este manual establece que no se debe utilizar un horno, freidora o asador en o debajo de cualquier balcón o cubierta de un apartamento o condominio.

⚠ ADVERTENCIA

Este aparato no está pensado para instalarse en un barco. Este aparato no está pensado para instalarse en un vehículo recreativo.

⚠ ADVERTENCIA

Este manual incluye instrucciones para limpiar e inspeccionar el tubo flexible antes de cada uso del aparato. Si hay evidencias de abrasión, desgaste, cortes o fugas, el tubo flexible debe reemplazarse antes de poner el aparato en funcionamiento. El conjunto de tubo flexible de repuesto será el especificado por el fabricante.

⚠ **ADVERTENCIA**

Este manual de instrucciones contiene información importante necesaria para el montaje correcto y el uso seguro del aparato.

Lee y sigue todas las advertencias e instrucciones antes de montar y utilizar el aparato.

Sigue todas las advertencias e instrucciones cuando utilices el aparato. Guarda este manual para futuras consultas.

⚠ **ADVERTENCIA**

Mantén el tubo flexible de suministro de combustible alejado de cualquier superficie caliente.

⚠ **ADVERTENCIA**

No modifiques el aparato.

⚠ **PRECAUCIÓN:** Las aberturas del tubo del quemador deben estar colocadas correctamente sobre los orificios de la válvula.

⚠ **ADVERTENCIA**

Este aparato solo debe utilizarse al aire libre y no debe utilizarse en un edificio, garaje ni en ninguna otra zona cerrada.

⚠ **ADVERTENCIA**

Este aparato debe mantenerse alejado de materiales inflamables durante el uso

⚠ **ADVERTENCIA**

Este manual incluye una lista de las piezas necesarias para el funcionamiento seguro del aparato, instrucciones para el montaje correcto y para el montaje de las piezas y accesorios instalados suministrados con el aparato, así como los procedimientos adecuados para la prueba de fugas de gas.

⚠ **ADVERTENCIA**

El aparato no debe colocarse ni utilizarse debajo de materiales de construcción o superficies combustibles sin protección. En el caso de una parrilla, freidora o asador, la distancia de separación mínima de cualquier estructura o material combustible deberá ser de al menos 3 m (10 pies).

⚠ **ADVERTENCIA**

Cierra el suministro de gas en la bombona después de su uso.

⚠ **ADVERTENCIA**

Solo para uso al aire libre.

⚠ **ADVERTENCIA**

No muevas el aparato durante el uso.

⚠ **ADVERTENCIA**

Lee las instrucciones antes de usar el aparato.

⚠ **ADVERTENCIA**

Las piezas accesibles pueden estar muy calientes. Mantén alejados a los niños pequeños

⚠ **ADVERTENCIA SOBRE LA BOMBONA DE GAS LP**

1. No almacenes la bombona de gas propano líquido de repuesto debajo o cerca de este aparato.
2. Nunca llenes la bombona a más del 80 % de su capacidad.
3. La bombona de propano líquido debe estar equipada con un DISPOSITIVO DE PROTECCIÓN CONTRA EL EXCESO DE LLENADO (OPD).
4. El sistema de alimentación de la bombona debe estar preparado para la extracción de vapores.
5. Si no se sigue al pie de la letra la información previa, puede producirse un incendio que cause la muerte o lesiones graves.
6. Este manual establece que la instalación debe cumplir los códigos locales o, en ausencia de códigos locales, el Código nacional de gas combustible, ANSI Z223.1/NFPA 54, Almacenamiento y manipulación de gases de petróleo licuados, ANSI/NFPA 58; o el Código de instalación de gas natural y propano, CSA B149.1; Almacenamiento y manipulación de propano, CSA B149.2
7. La bombona que vaya a utilizarse debe fabricarse y marcarse de acuerdo con las especificaciones para las bombonas de gas LP, el Departamento de Transporte de los Estados Unidos (DOT) o las Normas para las bombonas, esferas y tubos para el transporte de mercancías peligrosas, CAN/CSA-B339.

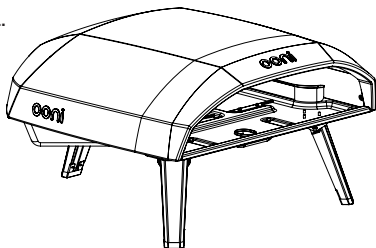
⚠ **ADVERTENCIA**

El aparato estará caliente durante y después de su uso. Utiliza manoplas o guantes de horno aislados para protegerte de las superficies calientes.

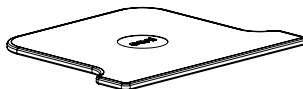
Lista de componentes

1. BG07-100A (Ooni Koda 16)
2. Placa para hornear de piedra

1.



2.



Antes de encenderlo

Inspecciona el tubo flexible de suministro antes de encender el gas. Si hay evidencias de cortes, desgaste o abrasión, debe reemplazarse antes de usarlo. Enrosca el regulador a la bombona de gas. Comprueba las conexiones del tubo flexible y del regulador con una solución de jabón y agua antes de encender el aparato. El regulador de presión y el conjunto de tubo flexible de gas suministrados solo deben utilizarse con este aparato. El tubo flexible debe ser conforme a la norma EN16436. El regulador debe ser conforme a la norma EN16129. Si se requieren reguladores de presión y conjuntos de tubo flexible de repuesto, deben ser los especificados por el fabricante del aparato, Ooni Limited.

Prácticas de seguridad para evitar lesiones

Si lo cuidas correctamente, tu horno te proporcionará un servicio seguro y fiable durante muchos años. Sin embargo, hay que tener mucho cuidado, ya que el horno produce un calor intenso que puede aumentar el riesgo de accidentes.

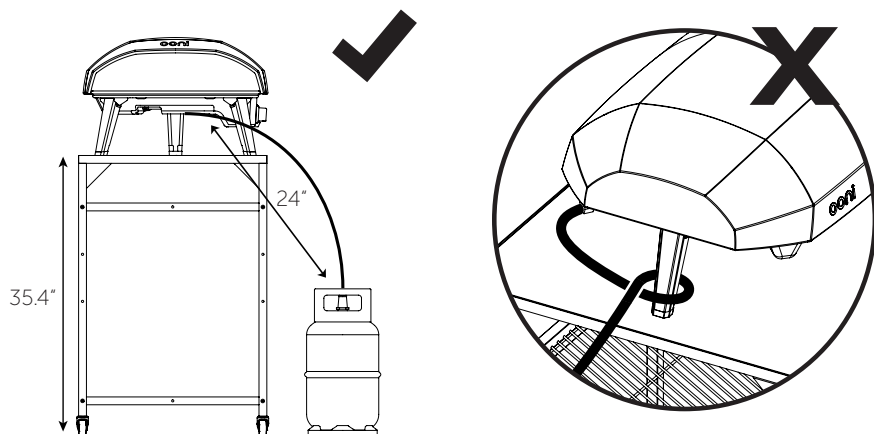
Al utilizar este horno, deben seguirse las prácticas básicas, incluidas, entre otras, las siguientes:

- No repares ni sustituyas ninguna pieza del horno, a menos que se recomiende específicamente en este manual. Cualquier otro servicio debe remitirse a un técnico cualificado.
- No se debe dejar a los niños solos o desatendidos en una zona en la que se esté utilizando el horno. No permitas que los niños se sienten, estén de pie ni jueguen alrededor del horno en ningún momento.
- Nunca dejes que la ropa u otros materiales inflamables entren en contacto con cualquier quemador o superficie caliente o estén demasiado cerca de ellos hasta que se hayan enfriado. El tejido podría prenderse, causando graves lesiones personales.
- Por tu seguridad personal, utiliza la ropa adecuada. Nunca se deben usar prendas o mangas sueltas mientras se utiliza el horno. Algunos tejidos sintéticos son muy inflamables y no deben usarse mientras se cocina.
- No calientes los envases de alimentos sin abrir, ya que una acumulación de presión puede provocar la explosión de los recipientes. Al encender el quemador, presta siempre mucha atención a lo que estás haciendo.
- Al utilizar el horno, no toques la carcasa exterior, la placa para hornear de piedra o los alrededores inmediatos, ya que estas zonas alcanzan mucha temperatura y podrían provocar quemaduras.
- No utilices el horno para cocinar carnes muy grasas u otros productos que aumenten la llama.
- Mantén la zona que rodea al horno libre de materiales combustibles, como líquidos, basura y vapores como gasolina o líquido para encendedor de carbón.
- No obstruyas el flujo de aire de combustión y ventilación.
- Nunca utilices el horno en condiciones de mucho viento.
- La temperatura en la parte inferior del horno es alta. No coloques el horno sobre una mesa con mantel, plástico u otros materiales inflamables.

Conexión del tubo flexible de gas a su Koda 16

❗ Coloca siempre el tubo flexible de gas alejado del horno. El tubo flexible no debe tocar el cuerpo del horno.

⚠ **ADVERTENCIA** El tubo flexible puede generar riesgo de tropiezos

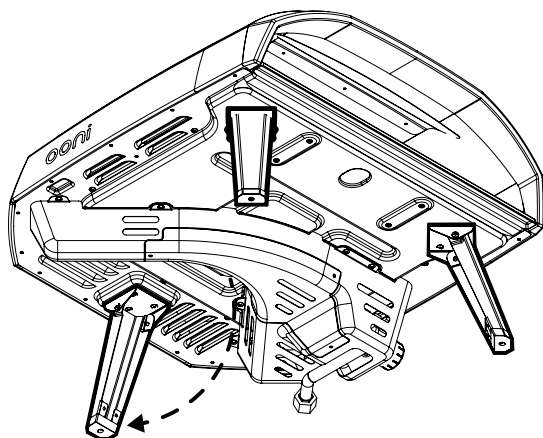


Montaje

Antes del montaje, asegúrate de que están todas las piezas. Si falta alguna pieza o está dañada, no intentes montar el aparato. Ponte en contacto con el servicio de atención al cliente para obtener piezas de repuesto.

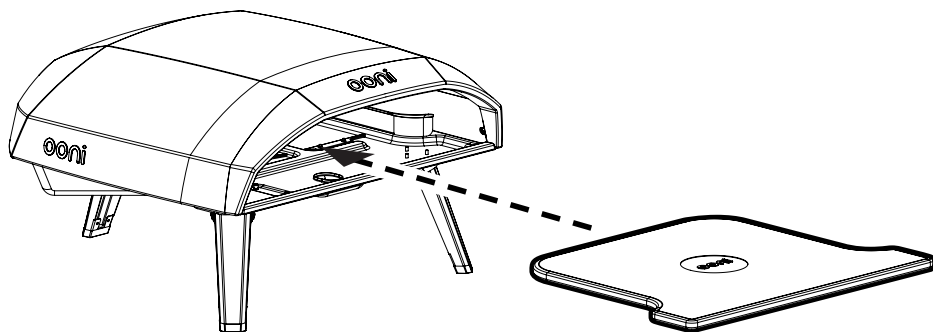
Paso 1

Despliega las patas



Paso 2

Introduce la placa para hornear de piedra



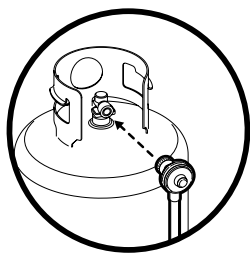
Paso 3

Conecta la bombona de gas

Los reguladores varían en función de la región.

⚠ ADVERTENCIA

- Mantén siempre la bombona de gas en posición vertical.
- El tamaño de la bombona de gas LP de 13 kg (28 lbs) es de 315 mm (12,4 pulgadas) de diámetro y 580 mm (22,4 pulgadas) de altura.
- Si el aparato no está en uso, el gas debe cerrarse en la bombona de suministro.
- La bombona utilizada debe incluir un collarín para proteger la válvula de la bombona.
- La distancia mínima entre el aparato y el depósito de gas de 13 kg (28 lbs) es de 635 mm (25 pulgadas).



Regulador de gas QCC1

Este ajuste de gas se realiza hacia la derecha. Asegúrate de que el depósito está completamente apagado y enrosca el regulador lo máximo posible en la válvula del depósito de gas.

Conexión de la bombona de gas propano líquido

1. La válvula de la bombona debe estar en posición de apagado (OFF).
2. Asegúrate de que la válvula del quemador esté en posición de apagado (OFF).
3. Inspecciona las conexiones de la válvula, el puerto y el montaje del regulador. Retira los residuos e inspecciona el tubo flexible en busca de daños.
4. Al conectar el conjunto del regulador a la válvula, utiliza la mano para apretar la tuerca hacia la derecha hasta que haga tope.
El uso de una llave inglesa podría dañar la tuerca de acoplamiento rápido y provocar una situación de peligro.
5. Abre la válvula de la bombona por completo girándola hacia la izquierda.
6. Antes de encender el horno, utiliza una solución de jabón y agua para comprobar todas las conexiones en busca de fugas.
7. Si encuentras una fuga, pon la válvula de la bombona en posición de apagado (OFF) y no utilices el horno hasta que el distribuidor de propano líquido local pueda realizar las reparaciones necesarias.

Desconexión de la bombona de gas propano líquido

1. Pon la válvula del quemador del horno en posición de apagado (OFF) y asegúrate de que el horno esté frío.
2. Pon la válvula de la bombona de propano líquido en posición de apagado (OFF) girándola hacia la derecha hasta que haga tope.
3. Retira el conjunto del regulador de la válvula de la bombona girando la tuerca de acoplamiento rápido hacia la izquierda.
4. Coloca la tapa antipolvo en la salida de la válvula de la bombona cuando no esté en uso. Instala en la salida de la válvula de la bombona únicamente el tipo de tapa antipolvo que se suministra con la válvula de la bombona. Otros tipos de tapones o capuchones pueden provocar fugas de propano.

Instrucciones de uso

Uso del horno

Cada quemador tiene una potencia nominal de 8,0 kW (572 g/h).

Para empezar:

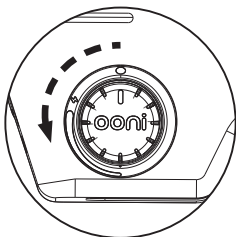
1. Asegúrate de que el horno se haya sometido a una prueba de fugas y se haya colocado correctamente.
2. Retira el resto del material de embalaje.
3. Enciende el quemador siguiendo las instrucciones de encendido que se indican a continuación

Instrucciones de encendido

Para encender el quemador

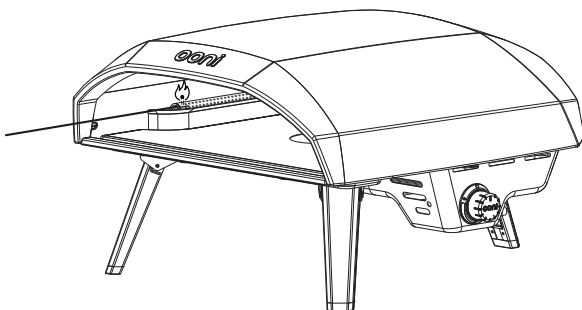
Lee todas las instrucciones antes de encenderlo

1. Asegúrate de que el mando de control esté en posición de apagado (OFF) y, a continuación, pon la válvula de la bombona de propano líquido en la posición de encendido (ON) girándola lentamente hacia la izquierda.
2. Presiona y gira lentamente el mando de control hacia la izquierda hasta que escuches un clic y el quemador se encienda.
3. Si el quemador no se enciende en 5 segundos, pon el mando en posición de apagado (OFF), espera 5 minutos y repite el proceso de encendido.



Para encenderlo con una cerilla

1. Si el quemador no se enciende después de varios intentos con el mando de control, puede encenderse con una cerilla.
2. Si ya has intentado encender el quemador con el mando de control, espera 5 minutos para que se disipe el gas.
3. Introduce una cerilla en el soporte para cerillas, enciéndela e insértala a través de la abertura del horno hasta el quemador.
4. Presiona y gira el mando de control a la posición HI (alto) lentamente, el quemador debería encenderse inmediatamente.
5. Si el quemador no se enciende en cuestión de segundos, pon el mando de control en posición de apagado (OFF), espera 5 minutos e inténtalo de nuevo.



Conversión a sistemas de combustible fijos (depósito de propano grande)

▲ ADVERTENCIA PELIGRO DE INCENDIO, EXPLOSIÓN Y ESCAPE DE MONÓXIDO DE CARBONO

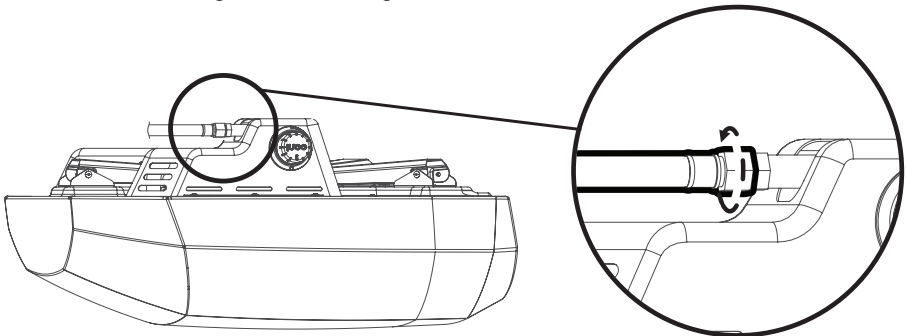
Si no se sigue fielmente la información contenida en estas instrucciones, pueden producirse un incendio, una explosión o un escape de monóxido de carbono que podrían causar daños materiales, lesiones personales o la muerte.

Este kit de conversión debe ser instalado por una agencia cualificada de acuerdo con las instrucciones del fabricante del aparato y todos los códigos y requisitos aplicables de la autoridad competente. La agencia cualificada es responsable de la correcta instalación de este kit. La instalación no será correcta y completa hasta que no se compruebe el funcionamiento del aparato modificado, tal y como se especifica en las instrucciones del fabricante suministradas con el kit.

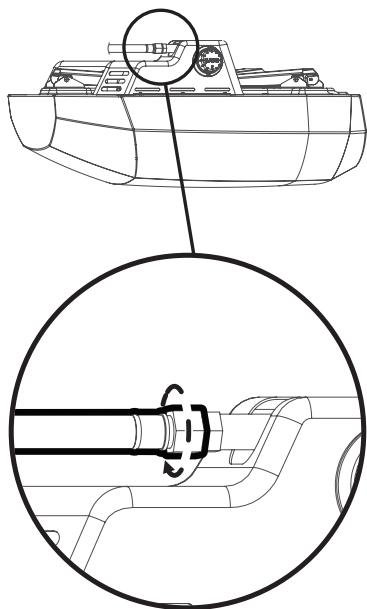
- Sólo aplicable a Ooni Koda 12 y Ooni Koda 16.
- **NO SE INCLUYE:** Modelo DH22 de tubo flexible y conectores rápidos al sistema de combustible fijo.
- El aparato y su válvula de cierre individual deben ser desconectados del sistema de tuberías de suministro de gas durante cualquier prueba de presión de dicho sistema a presiones de prueba mayores de 1/2 psi (3,5 kPa).
- El aparato debe estar aislado del sistema de tuberías de suministro de gas cerrando su válvula de cierre manual durante cualquier prueba de presión del sistema de tuberías de suministro de gas a presiones de prueba iguales o menores a 1/2 psi (3,5 kPa).

Instrucciones

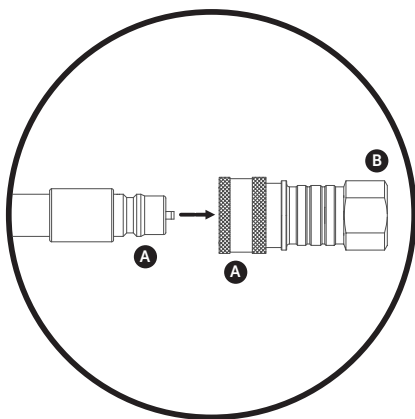
1. **Precaución:** Antes de proceder con la conversión; cierre el suministro de gas y asegúrese de que el horno esté frío al tacto. Retire la piedra de hornear y ponga el horno boca abajo.
2. Retire el tubo flexible de gas con una llave inglesa de 19 mm.



3. Coloque el tubo flexible de gas DH22 con una llave inglesa de 19 mm.



4. Coloque los conectores rápidos en el extremo del tubo flexible de gas y conéctelo al sistema de combustible fijo.



5. Realice una prueba de fugas para asegurarse de que la conexión sea segura y adecuada. (p.23)

Prueba de fugas

General

Aunque las conexiones de gas del aparato se someten a una prueba de fugas antes de su embalaje y envío, debe realizarse una prueba completa en el lugar de instalación.

Antes de cada uso, comprueba todas las conexiones de gas en busca de fugas siguiendo el procedimiento que se indica a continuación. Si detectas olor a gas en cualquier momento, debes dejar de usar el horno inmediatamente y comprobar todo el sistema en busca de fugas.

Antes de realizar la prueba

Asegúrate de que se haya retirado todo el material de embalaje del aparato.

Haz una solución de una parte de detergente líquido y una parte de agua. Necesitarás un pulverizador, un cepillo o un paño para aplicar la solución a los accesorios.

Para realizar la prueba

1. Pon la válvula del quemador en posición de apagado (OFF).
2. Gira la válvula de la bombona de propano líquido hacia la izquierda para abrir la válvula.
3. Aplica la solución de jabón a todos los accesorios de gas. Si hay una fuga, verás burbujas de jabón.
4. Si hay una fuga, cierra inmediatamente el suministro de gas y aprieta los accesorios que tienen la fuga.
5. Vuelve a poner el gas en posición de encendido (ON) y vuelve a hacer una comprobación.
6. Si sigue habiendo fugas de gas en cualquiera de los accesorios, cierra el suministro de gas y ponte en contacto con el servicio de atención al cliente.

Cuidado y mantenimiento

Guarda el Ooni Koda 16 fuera de la luz solar directa y en interiores siempre que sea posible y cuando se almacene durante periodos de tiempo prolongados. El Ooni Koda 16 no debe estar expuesto a climatología adversa como nieve, lluvia intensa y vientos fuertes.

Espera a que el Ooni Koda 16 se enfríe por completo antes de moverlo

La carcasa exterior del Ooni Koda 16 puede decolorarse con el tiempo y el uso. Esto no afectará al rendimiento.

Placa para hornear de piedra

1. **NO** utilices la piedra sobre una llama abierta.
2. Evita los cambios de temperatura extremos en la piedra. **NO** pongas alimentos congelados sobre una piedra caliente.
3. La piedra es frágil y puede romperse si se golpea o se cae.
4. La piedra está muy caliente durante el uso y permanece caliente durante mucho tiempo después.
5. **NO** enfrías la piedra con agua cuando esté caliente.
6. Después de limpiar la piedra con agua, sécala antes de usarla. Lo puedes hacer en un horno convencional a 60 °C (140 °F) durante 2 horas.
7. Los restos de comida quemados pueden limpiarse dando la vuelta a la piedra, que se limpiará sola debido a las altas temperaturas del horno.

Interior del horno

Puedes limpiarlo con una toalla de papel entre usos para eliminar cualquier suciedad.

Otras zonas del horno

Límpialas cuando sea necesario con una esponja no abrasiva.

Resolución de problemas

Problema	Posible causa	Prevención/solución
El quemador no se enciende	<ol style="list-style-type: none"> 1. No hay flujo de gas 2. La tuerca de acoplamiento y el regulador no están completamente conectados 3. Obstrucción del flujo de gas 4. Desconexión del quemador de la válvula 5. Montaje incorrecto 	<ol style="list-style-type: none"> 1. Comprueba si el depósito de propano está vacío. 2. Gira la tuerca de acoplamiento aproximadamente entre medio y tres cuartos de vuelta adicionales hasta que haga tope. Aprieta solo a mano, no utilices herramientas. 3. Limpia el tubo del quemador. 4. Vuelve a acoplar el quemador y la válvula. 5. Comprueba los pasos de las instrucciones de montaje.
Descenso repentino del flujo de gas o llama baja	<ol style="list-style-type: none"> 1. Sin gas 	<ol style="list-style-type: none"> 1. Comprueba si hay gas en el depósito de propano. 2. Cierra el mando de control del gas, espera 30 segundos y enciende el horno. Si las llamas siguen siendo bajas, cierra el mando de control de gas y la válvula del depósito de propano. Desconecta el regulador. Vuelve a conectar el regulador y comprueba posibles fugas. Pon la válvula del depósito de propano en posición de encendido (ON), espera 30 segundos y enciende el horno.
Las llamas se apagan	<ol style="list-style-type: none"> 1. Vientos fuertes o racheados 2. Nivel bajo de gas propano 	<ol style="list-style-type: none"> 1. Gira la parte delantera del horno de manera que no le dé el viento. 2. Rellena el depósito de propano. 3. Consulta la sección anterior sobre el descenso repentino del flujo de gas.
Llamas	<ol style="list-style-type: none"> 1. Acumulación de grasa 2. Exceso de grasa en la carne 3. Temperatura de cocción excesiva 4. Exceso de harina en la superficie de cocción 	<ol style="list-style-type: none"> 1. Limpia el horno. 2. Recorta la grasa de la carne antes de cocinarla. 3. Ajusta (baja) la temperatura en consecuencia. 4. Retira con un cepillo los restos de harina de la superficie de cocción.
Retroceso (fuego en el tubo del quemador, estruendo en el quemador)	<ol style="list-style-type: none"> 1. El quemador o los tubos del quemador están bloqueados 2. Caída de presión durante el encendido 	<ol style="list-style-type: none"> 1. Cierra el mando de control del gas. Limpia el quemador o los tubos del quemador. 2. Cierra el horno, asegúrate de que la válvula del depósito esté totalmente abierta (si procede) y vuelve a encenderlo.



Puedes contactar con el servicio de atención al cliente de Ooni a través de www.ooni.com o support@ooni.com

Consumo nominal de gas por hora

Ooni Koda 16: parrilla de gas para uso en exteriores				
Tipo de gas	Número de quemadores	Tamaño del inyector del quemador principal	Consumo total de gas BTU	Presión del gas KPa
Propano	1	1.11	29000	2.74
7iwc NG	1	1.75	29000	1.77

Información técnica del producto

Número de modelo

BG07-100A (Ooni Koda 16)

Etiqueta del producto

ooni

Always route the gas hose away from the oven. The hose must not touch the oven body.

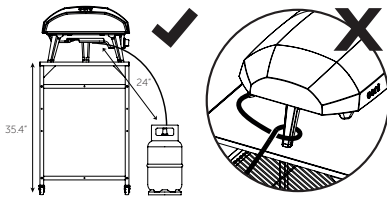
WARNING Hose pipe can be a tripping hazard

Coloca siempre el tubo flexible de gas alejado del horno. El tubo flexible no debe tocar el cuerpo del horno.

ADVERTENCIA El tubo flexible puede generar riesgo de tropiezos

Eloignez toujours le tuyau à gaz du four. Le tuyau ne doit pas toucher à la structure du four.

MISE EN GARDE Le tuyau peut présenter un risque de trébuchement



ooni

Fabricante: Ooni Limited
Modelo: Ooni Koda 16
Ooni Limited, Unit 5, Bishopsgate Business Centre,
189 West Main Street, Broxburn, Reino Unido, EH52 5LH



- No almacenes la bombona de gas LP de repuesto debajo o cerca del aparato.
- Nunca llenes la bombona más del 80%.
- Si no se siguen al pie de la letra las indicaciones anteriores, puede producirse un incendio que cause la muerte o lesiones graves.
- La distancia mínima entre los laterales y la parte trasera de la unidad a la construcción combustible debe ser de 24 pulgadas por los lados y 24 pulgadas desde la parte delantera.
- No utilices el aparato debajo de superficies elevadas que sean combustibles.
- **PRECAUCIÓN:** Para usar con un regulador para aparatos de gas. Este aparato debe utilizarse con el regulador suministrado. El regulador está configurado para una presión de salida de 11 iwc.
- Cierra el suministro de LP en la bombona cuando el aparato no esté en uso.
- Este aparato no está diseñado para uso comercial.
- El manual de instrucciones contiene información importante necesaria para el montaje correcto y el uso seguro del aparato.
- Lee y sigue todas las advertencias e instrucciones antes de montar y utilizar el aparato.
- Sigue todas las advertencias e instrucciones cuando utilices el aparato.
- Si faltan instrucciones o piezas, ponte en contacto con support.ooni.com

ooni

INSTRUCCIONES DE ENCENDIDO - PARA ENCENDER EL QUEMADOR: lee todas las instrucciones antes de encenderlo

- Asegúrate de que el mando de control esté en posición de apagado (OFF) y, a continuación, pon la válvula de la bombona de propano líquido en la posición de encendido (ON) girándola lentamente hacia la izquierda.
- Presiona y gira lentamente el mando de control hacia la izquierda hasta que escuches un clic y el quemador se enciende.
- Si el quemador no se enciende en 5 segundos, pon el mando en posición de apagado (OFF), espera 5 minutos y repite el proceso de encendido.

ANS Z21.89-2017 CSA 1.18-2017 Aparato de gas especializado para cocinar al aire libre. Solo para uso en exteriores. Si se almacena en interiores, desconecta la bombona y déjala al aire libre.

	Propano	Tasa de salida (BTU/h)
Componentes	Tamaño del orificio	
Quemador principal	1.11mm	29000

Dirección del fabricante:

Ooni Limited, Unit 5, Bishopsgate Business Centre, 189 West Main Street, Broxburn, Reino Unido, EH52 5LH

⚠ ATTENTION

Afin de réduire le risque d'incendie, de brûlures ou autres blessures, veuillez lire ce manuel de sécurité attentivement et dans son entier avant d'utiliser cet appareil.

⚠ ATTENTION

Avant de nettoyer l'appareil, assurez-vous que l'alimentation en gaz et le bouton de réglage sont en position ARRÊT et que le brûleur et le four se sont bien refroidis.

⚠ DANGER

- **Ne faites pas fonctionner cet appareil sans surveillance.**
- **En cas d'incendie, restez éloigné de l'appareil et appelez immédiatement le service d'incendie. N'essayez pas d'éteindre un incendie de graisse ou d'huile avec de l'eau.**

Le non-respect de ces directives peut entraîner un incendie, une explosion ou un risque de brûlure pouvant causer des dommages matériels, des blessures corporelles ou la mort.

⚠ DANGER

Si vous sentez une odeur de gaz :

- **Coupez l'alimentation en gaz de l'appareil.**

- **Éteignez toute flamme nue.**
- **Si l'odeur persiste, éloignez-vous de l'appareil et appelez immédiatement votre fournisseur de gaz ou les pompiers.**

Le non-respect de ces directives peut entraîner un incendie, une explosion ou un risque de brûlure pouvant causer des dommages matériels, des blessures corporelles ou la mort.

⚠ ATTENTION

Utilisez l'appareil dans un endroit bien aéré.

⚠ ATTENTION

Les araignées et les insectes peuvent nicher à l'intérieur du brûleur de l'appareil et nuire à l'écoulement des gaz. Assurez-vous d'inspecter le brûleur au moins une fois par année.

⚠ ATTENTION

- Tenez le tuyau d'alimentation en carburant à l'écart de toutes surfaces chauffées.
- La consommation d'alcool ou de médicaments, prescrits ou en vente libre, peut altérer la capacité du consommateur à bien assembler ou à utiliser l'appareil de façon sécuritaire.
- En tout temps, tenez les enfants et les animaux à l'écart de l'appareil.
- Ne déplacez pas l'appareil lorsqu'il est en marche.
- Cet appareil n'est pas un appareil de chauffage et ne devrait jamais être utilisé à cet effet.

⚠ ATTENTION

Si une allumette est utilisée pour allumer l'appareil, assurez-vous d'utiliser le porte-allumettes inclus.

⚠ ATTENTION

Entreposez cet appareil à l'intérieur seulement si l'alimentation en gaz naturel est déconnectée.

⚠ ATTENTION

N'entreposez pas de bouteille de gaz dans un bâtiment, un garage ou tout autre endroit fermé. Gardez-les toujours hors de portée des enfants..

⚠ ATTENTION

Vérifiez l'étanchéité de tous les raccords d'alimentation en gaz avant chaque utilisation. Cet appareil ne doit pas être utilisé avant que l'étanchéité de tous les raccords ait été vérifiée.

⚠ ATTENTION

Ne fumez pas pendant la vérification de l'étanchéité. Ne vérifiez jamais l'étanchéité avec une flamme nue.

⚠ ATTENTION

Lors de l'allumage, gardez le visage et les mains aussi loin que possible de l'appareil..

⚠ ATTENTION

Le dégagement minimum entre les côtés de l'unité et une construction combustible est de 610mm (24 pouces).

Le dégagement minimum entre l'arrière de l'unité et une construction combustible est de 915 mm (36 pouces).

⚠ ATTENTION

Ce manuel précise qu'un four, une friteuse ou un grilloir ne doit pas être utilisé sur ou sous le balcon ou la terrasse d'un appartement ou d'une copropriété.

⚠ ATTENTION

Cet appareil n'est pas destiné à être installé dans ou sur des véhicules récréatifs et/ou bateaux.

⚠ ATTENTION

Ce manuel comporte une directive de nettoyage et d'inspection du tuyau avant chaque utilisation de l'appareil. S'il y a des signes d'abrasion, d'usure, de fentes ou de fuites, le tuyau doit être remplacé avant que l'appareil soit mis en fonction. Le tuyau de remplacement doit être celui spécifié par le fabricant.

⚠ ATTENTION

Ce manuel d'instruction comprend d'importantes informations nécessaires au bon assemblage et à l'utilisation sécuritaire de l'appareil. Assurez-vous de lire et de suivre tous les avertissements et les instructions avant d'assembler et d'utiliser l'appareil.

Assurez-vous de suivre tous les avertissements quand vous utilisez l'appareil. Conservez ce manuel à titre de référence.

⚠ ATTENTION

Tenez le tuyau d'alimentation en carburant à l'écart de toutes surfaces chauffées.

⚠ ATTENTION

Ne modifiez pas cet appareil.

❗ **MISE EN GARDE:** Les ouvertures du tube du brûleur doivent être placées adéquatement au-dessus des orifices du robinet

⚠ ATTENTION

Cet appareil doit être utilisé à l'extérieur seulement et ne doit pas être utilisé dans un bâtiment, un garage ou tout autre endroit fermé.

⚠ ATTENTION

Gardez la zone entourant le four libre de matières combustibles,

⚠ ATTENTION

Ce manuel comprend une liste des pièces nécessaires pour un fonctionnement sécuritaire de l'appareil, des instructions pour un bon assemblage et pour le montage de pièces installées et des accessoires fournis avec l'appareil, ainsi que des procédures appropriées pour les tests de fuite de gaz.

⚠ ATTENTION

L'appareil ne doit pas être placé ou utilisé sous des matériaux de construction ou des surfaces combustibles non protégés. Le dégagement minimal pour un gril, une friteuse ou un grilloir sera d'au moins 3 m (10 pi) de toute structure ou tout matériau combustible.

⚠ ATTENTION

Après l'utilisation, fermez l'alimentation en gaz sur le réservoir à gaz.

⚠ ATTENTION

POUR UNE UTILISATION EXTÉRIEURE SEULEMENT.

⚠ ATTENTION

Ne déplacez pas l'appareil lorsqu'il est en cours d'utilisation.

⚠ ATTENTION

Assurez-vous de lire et de suivre tous les avertissements et les instructions avant d'assembler et d'utiliser l'appareil.

⚠ ATTENTION

Accessible parts may be very hot. Keep young children away

⚠ AVERTISSEMENT BOUTEILLE DE GAZ PROPANE

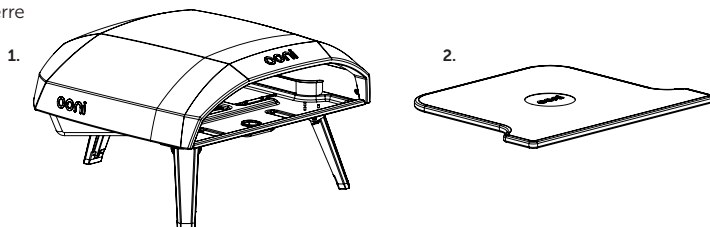
1. N'entreposez pas la bouteille de gaz propane de recharge sous cet appareil ou à proximité.
2. Ne remplissez jamais la bouteille au-delà de 80% de sa capacité.
3. La bouteille de propane doit être équipée d'un DISPOSITIF DE PRÉVENTION DU TROP-PLEIN (DPTP).
4. Le système d'approvisionnement du réservoir doit être disposé pour permettre un retrait des vapeurs.
5. Le non-respect de ces instructions peut entraîner des risques d'incendie pouvant causer la mort ou des blessures graves.
6. Ce manuel stipule que l'installation doit se conformer aux codes locaux, ou en absence de codes locaux, au National Fuel Gas Code, ANSI Z223.1/NFPA 54, Storage and Handling of Liquefied Petroleum Gases (stockage et manipulation des gaz de pétrole liquéfiés), ANSI/NFPA 58 ou au Code d'installation du gaz naturel et du propane, CSA B149.1; Stockage et manipulation du propane, CSA B149.2
7. Le réservoir à utiliser doit être fabriqué et étiqueté conformément aux spécifications des réservoirs à gaz propane liquide, du Department of Transportation (DOT) américain ou aux normes pour les réservoirs, les sphères et les tuyaux pour le transport de marchandises dangereuses, CAN/CSA-B339.

⚠ ATTENTION

L'appareil sera chaud pendant et après l'utilisation. Utilisez des mitaines ou des gants de cuisine pour une protection contre les surfaces chaudes.

Liste des pièces

1. BG07-100A (Ooni Koda 16)
2. Plaque de Cuisson en Pierre



Avant d'allumer

Inspectez le tuyau d'alimentation en gaz avant d'allumer le gaz. Si vous observez des coupures, traces d'usure ou d'abrasion, il doit être remplacé avant l'utilisation. Vissez le détendeur sur la bouteille de gaz. Avant d'allumer l'appareil, inspectez les raccords du flexible et du détendeur et vérifiez l'absence de fuite avec une solution d'eau savonneuse. Utilisez seulement le détendeur et le flexible de gaz fournis avec cet appareil. Le tuyau doit être conforme à la norme EN16436. Le régulateur doit être conforme à la norme EN16129. Si des régulateurs de pression et des tuyaux de remplacement sont nécessaires, ils doivent être ceux spécifiés par le fabricant de l'appareil, Ooni Limited.

Règles de sécurité pour éviter les blessures

Lorsqu'il est bien entretenu, votre four vous offre un service sûr et fiable. Cependant, vous devez faire preuve d'une extrême prudence, car le four produit une chaleur intense qui peut augmenter le risque d'accidents.

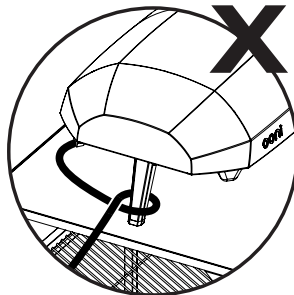
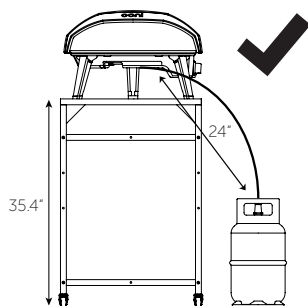
Lors de l'utilisation de ce four, les règles de sécurité de base doivent être suivies, y compris, mais sans s'y limiter :

- Ne réparez ou ne remplacez aucune pièce du four à moins que cela ne soit spécifiquement recommandé dans ce manuel. Tout autre intervention doit être confiée à un technicien qualifié.
- Ne laissez jamais les enfants seuls ou sans surveillance à proximité du four en fonctionnement. Ne laissez jamais les enfants s'asseoir sur le four, monter dessus ou jouer autour.
- Ne laissez jamais des vêtements ou autres matériaux inflammables à proximité ou en contact avec une surface chaude ou un brûleur avant qu'il ne refroidisse. Le tissu pourrait s'enflammer et causer des blessures graves.
- Pour votre sécurité personnelle, portez des vêtements appropriés. Ne portez jamais de vêtements ou de manches amples lorsque vous utilisez le four. Certains tissus synthétiques sont très inflammables et ne doivent pas être portés pendant que vous cuisinez.
- Ne chauffez pas des contenants alimentaires fermés, car une accumulation de pression pourrait les faire éclater. Lorsque vous allumez le brûleur, faites toujours très attention à ce que vous faites.
- Lors de l'utilisation du four, ne touchez pas la coque extérieure, la plaque de cuisson en pierre ni leurs abords immédiats, car ces zones deviennent extrêmement chaudes et pourraient causer des brûlures.
- N'utilisez pas le four pour cuire des viandes extrêmement grasses ou d'autres produits qui augmentent la combustion.
- Maintenez l'environnement du four exempt de matières combustibles, y compris les fluides, les déchets et les vapeurs tels que l'essence ou le liquide allume-feu.
- N'obturez jamais la circulation d'air de combustion ni la ventilation.
- N'utilisez jamais le four dans des conditions trop venteuses.
- La température sous le four est élevée. Ne placez pas le grill sur une table avec des nappes inflammables, du plastique ou tout autre matériau inflammable.

Raccordement d'un tuyau de gaz à votre Koda 16

⚠ Éloignez toujours le tuyau à gaz du four. Le tuyau ne doit pas toucher à la structure du four.

⚠ **MISE EN GARDE** Le tuyau peut présenter un risque de trébuchement

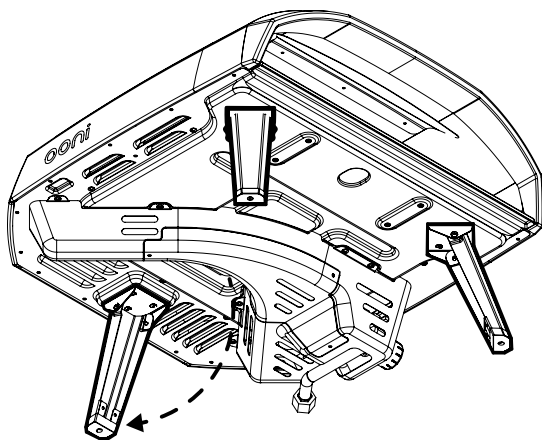


Assemblage

Avant le montage, assurez-vous que vous disposez de toutes les pièces. Si une pièce manque ou est endommagée, n'essayez pas d'assembler l'appareil. Contactez le service client pour obtenir des pièces de rechange.

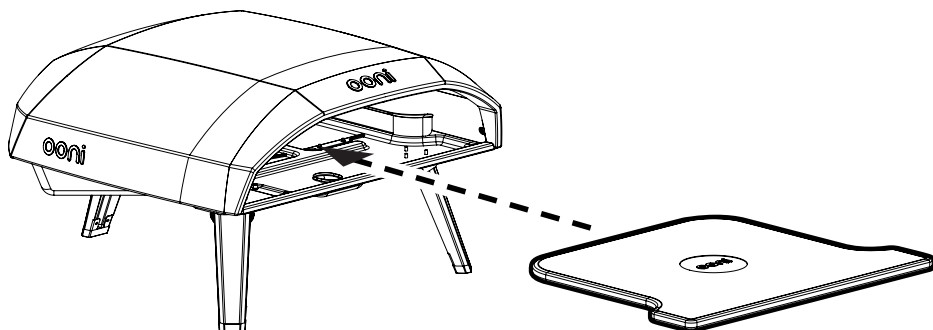
Étape 1

Dépliez les pieds



Étape 2

Insérez la plaque de cuisson en pierre



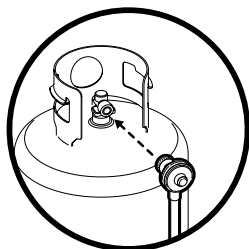
Étape 3

Raccordez à la bouteille de gaz

Les régulateurs varient selon les régions.

⚠ ATTENTION

- Maintenez toujours la bouteille de gaz en position verticale
- La taille d'une bouteille de gaz LPG de 13 kg (28 lb) est de 315 mm (12,4 pouces) de diamètre et de 580 mm (22,4 pouces) de hauteur.
- Lorsque l'appareil n'est pas en fonctionnement, le gaz doit être coupé au niveau de la bouteille.
- La bouteille doit comporter un collier pour protéger la vanne de la bouteille.
- La distance minimale entre l'appareil et le réservoir de gaz de 13 kg (28 lb) est de 635 mm (25 pouces).



Détendeur de Gaz QCCI

Le raccord de ce détendeur se fait dans le sens aiguilles d'une montre. Assurez-vous que la bouteille de gaz est complètement fermée et vissez le détendeur à fond dans la vanne de la bouteille

Raccordement de la bouteille de gaz propane

1. La vanne de la bouteille doit être en position fermée.
3. Assurez-vous que le bouton de contrôle est en position éteinte.
4. Inspectez les raccords de la vanne, l'orifice et l'assemblage du détendeur. Enlevez les éventuels débris et inspectez le tuyau pour vous assurer qu'il n'est pas endommagé.
5. Lors du raccordement du détendeur à la vanne, serrez l'écrou à la main dans le sens des aiguilles d'une montre jusqu'à ce qu'il bute. L'utilisation d'une clé peut endommager l'écrou de couplage et entraîner un risque d'accident.
6. Ouvrez complètement la vanne de la bouteille en tournant dans le sens contraire des aiguilles d'une montre.
7. Avant d'allumer le four, utilisez de l'eau savonneuse pour vous assurer de l'absence de fuite à tous les raccords.
8. Si vous détectez une fuite, fermez la vanne de la bouteille et n'utilisez pas le four avant que votre revendeur de propane n'ait effectué les réparations nécessaires.

Déconnexion de la bouteille de gaz propane liquide

1. Tournez le bouton de contrôle du four sur la position éteinte.
2. Assurez-vous que la vanne de la bouteille est en position fermée.
3. Détachez le détendeur de la vanne de la bouteille en tournant l'écrou de couplage dans le sens contraire des aiguilles d'une montre.
4. Lorsque la bouteille n'est pas utilisée, placez toujours le capuchon anti-poussière sur la vanne de sortie de la bouteille. Installez sur la sortie du robinet de la bouteille uniquement le type de bouchon anti-poussière fourni avec le robinet de la bouteille. D'autres types de capuchons ou de bouchons peuvent provoquer des fuites de propane.

Conversion à un système de combustible fixe (grand réservoir de propane)

▲ MISE EN GARDE

RISQUE D'INCENDIE, D'EXPLOSION ET DE MONOXYDE DE CARBONE

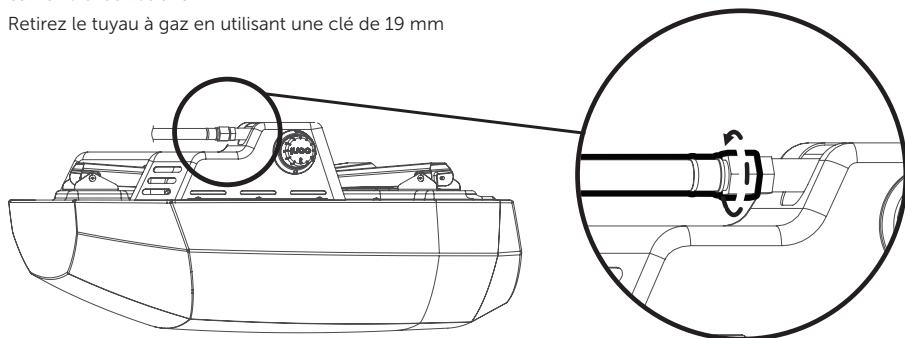
Si les informations contenues dans ces instructions ne sont pas strictement respectées, un incendie, une explosion ou la production de monoxyde de carbone peuvent se produire et provoquer des dommages matériels, des blessures ou la mort.

Cette trousse de conversion doit être installée par un installateur qualifié conformément aux instructions du fabricant et à tous les codes et exigences en vigueur de l'autorité compétente. L'installateur qualifié est responsable de l'installation correcte de cette trousse. L'installation n'est pas correcte et complète jusqu'à ce que le fonctionnement de l'appareil converti soit vérifié comme spécifié dans les instructions du fabricant fournies avec la trousse.

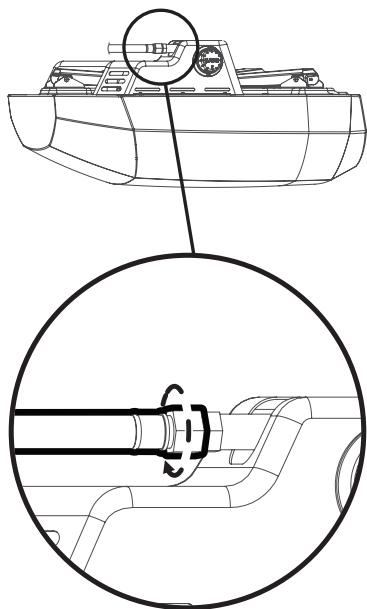
- Applicable uniquement avec Ooni Koda 12 et Ooni Koda 16
- **NON INCLUS** Tuyau du modèle DH22 et raccords rapides au système de carburant fixe.
- L'appareil et sa vanne d'arrêt individuelle doivent être déconnectés du système de tuyauterie d'alimentation en gaz pendant tout essai de pression du système de tuyauterie d'alimentation en gaz à des pressions d'essai supérieures à 1/2 psi (3,5 kPa).
- L'appareil est isolé du système de tuyauterie d'alimentation en gaz par la fermeture de son robinet d'arrêt manuel individuel pendant tout essai de pression du système de tuyauterie d'alimentation en gaz à des pressions d'essai égales ou inférieures à 1/2 psi (3,5 kPa).

Instructions

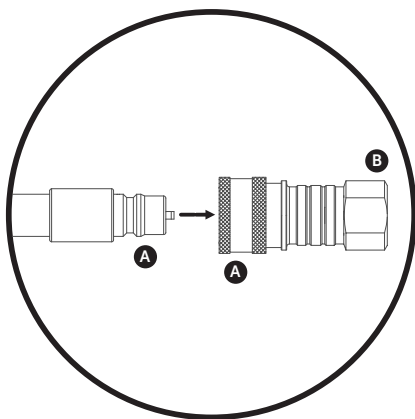
1. **AVERTISSEMENT:** Avant de procéder à la conversion, fermez l'alimentation en gaz et assurez-vous que le four est refroidi au toucher.
2. Retirez le tuyau à gaz en utilisant une clé de 19 mm



3. Fixez le tuyau à gaz DH22 en utilisant une clé de 19 mm



4. Fixez des raccords rapides à l'extrémité du tuyau à gaz et connectez-le au système de carburant fixe.



5. Effectuez un test d'étanchéité pour vous assurer que le raccord est sûr et approprié. (p.35)

Mode d'emploi

Utilisation du four

Chaque brûleur a une puissance nominale de 8.0 kW (572g/h).

Pour commencer :

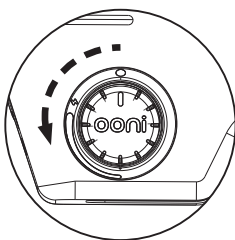
1. Assurez-vous que le four a fait l'objet d'un test de fuites et qu'il est correctement placé.
2. Retirez tout le matériel d'emballage.
3. Allumez le brûleur en suivant les INSTRUCTIONS D'ALLUMAGE ci-dessous.

Instructions d'allumage

Pour allumer le brûleur

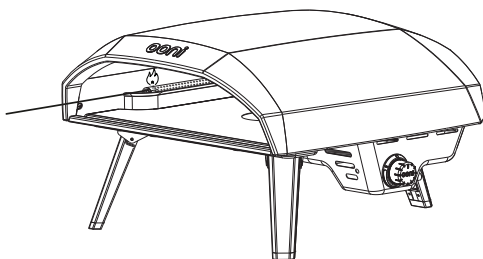
Lisez toutes les instructions avant d'allumer

1. Assurez-vous que le bouton de contrôle du four est en position éteinte, puis ouvrez la vanne de la bouteille de propane en tournant lentement dans le sens contraire des aiguilles d'une montre.
2. Enfoncez et tournez lentement le bouton de contrôle du four dans le sens inverse des aiguilles d'une montre jusqu'à ce que vous entendiez un déclic et que le brûleur s'allume.
3. Si le brûleur ne s'allume pas dans les 5 secondes, mettez le bouton sur OFF, attendez 5 minutes et recommencez l'allumage.



Pour allumer avec une allumette

1. Si le brûleur ne s'allume pas après plusieurs essais à l'aide du bouton de contrôle, il peut être allumé avec une allumette.
2. Si vous avez déjà essayé d'allumer le brûleur à l'aide du bouton de contrôle, attendez 5 minutes que le gaz se dissipe.
3. Insérez une allumette dans le porte-allumette. Allumez l'allumette et insérez-la dans l'ouverture du four pour atteindre le brûleur.
4. Enfoncez et tournez lentement le bouton de contrôle sur HI : le brûleur doit s'allumer immédiatement.
5. Si le brûleur ne s'allume pas en quelques secondes, tournez le bouton de contrôle sur la position éteinte, attendez 5 minutes et réessayez.



Détection de fuites

Généralités

Bien que les raccords de gaz de l'appareil fassent l'objet d'un test de détection de fuite avant l'emballage et l'expédition, un test complet doit être effectué sur le lieu d'installation.

Avant chaque utilisation, vérifiez l'étanchéité de tous les raccords de gaz à l'aide de la procédure décrite ci-dessous. Si une odeur de gaz est détectée à n'importe quel moment, vous devez immédiatement cesser l'utilisation et vérifier l'étanchéité de l'ensemble du système

Avant le test

Assurez-vous que tout le matériel d'emballage a été retiré de l'appareil.

Préparez un mélange de détergent liquide et d'eau à parts égales. Vous aurez besoin d'un flacon pulvérisateur, d'un pinceau ou d'un chiffon pour appliquer la solution sur les raccords.

Pour réaliser le tester

1. Tournez le bouton de contrôle du four sur la position éteinte.
2. Ouvrez la vanne de la bouteille de propane en la tournant dans le sens inverse des aiguilles d'une montre.
3. Appliquez la solution d'eau savonneuse sur tous les raccords de gaz. En cas de fuite, des bulles de savon se forment.
4. Si vous détectez une fuite, coupez immédiatement l'alimentation en gaz et resserrez les raccords qui fuient.
5. Rouvrez la vanne de gaz et vérifiez à nouveau.
6. Si le gaz continue de s'échapper de l'un des raccords, coupez l'alimentation en gaz et contactez le service à la clientèle.

Soin et entretien

Maintenez Ooni Koda à l'abri de la lumière directe du soleil et à l'intérieur dans la mesure du possible et pendant les périodes de stockage prolongées.

Ooni Koda ne doit pas être exposé aux intempéries telles que la neige, les fortes pluies et les vents violents.

Attendez que Ooni Koda refroidisse complètement avant de le déplacer.

La couleur de la coque extérieure de Ooni Koda peut s'altérer avec le temps et au fil de l'utilisation.

Cela n'affectera pas ses performances.

Plaque de cuisson en pierre

1. Ne PAS utiliser la pierre sur une flamme nue.
2. Évitez les changements de température extrêmes de la pierre. NE PAS placer des aliments congelés sur une pierre chaude.
3. La pierre est fragile et peut se briser en cas de choc ou de chute.
4. La pierre est très chaude pendant l'utilisation et reste chaude longtemps après l'utilisation.
5. NE PAS refroidir la pierre avec de l'eau lorsqu'elle est chaude.
6. Après avoir nettoyé la pierre à l'eau, séchez-la avant de l'utiliser. Ceci peut être fait en la plaçant dans un four conventionnel à 60°C (140°F) pendant 2 heures.
7. Les aliments calcinés peuvent être nettoyés en retournant la pierre qui se nettoiera d'elle-même en raison des températures élevées du four

Intérieur du four

Entre les utilisations, essuyez-le avec un essuie-tout pour enlever tout résidu.

Autres zones du four

Lorsque nécessaire, nettoyez-les en utilisant une éponge non abrasive

Résolution de problèmes

Problème	Cause possible	Prévention / Solution
Le brûleur ne s'allume pas	<ol style="list-style-type: none"> 1. Pas d'arrivée de gaz 2. L'écrou de couplage et le détendeur ne sont pas bien raccordés 3. Le débit de gaz est obturé 4. Le brûleur est déconnecté de la vanne 5. Montage incorrect 	<ol style="list-style-type: none"> 1. Vérifiez si la bouteille de propane est vide 2. Tournez l'écrou de couplage d'environ un demi-tour à trois quarts de tour supplémentaires jusqu'à l'arrêt complet. Serrez à la main seulement - n'utilisez pas d'outils 3. Nettoyez le tube du brûleur 4. Reconnectez le brûleur et la vanne 5. Vérifier les étapes dans les instructions de montage
Chute soudaine du débit de gaz ou flamme faible	<ol style="list-style-type: none"> 1. Il n'y a plus de gaz 	<ol style="list-style-type: none"> 1. Vérifiez s'il y a du gaz dans la bouteille de propane 2. Fermez le bouton de contrôle du gaz, attendez 30 secondes et rallumez le four. Si les flammes sont encore faibles, fermez le bouton de contrôle du gaz et la vanne de la bouteille de propane. Débranchez le détendeur. Rebranchez le détendeur et effectuez un test d'étanchéité. Ouvrez la vanne de la bouteille de propane, attendez 30 secondes, puis allumez le four.
Les flammes s'éteignent	<ol style="list-style-type: none"> 1. Vent fort ou en rafales 2. Faible niveau de propane 	<ol style="list-style-type: none"> 1. Placez le four dos au vent 2. Remplissez la bouteille de propane 3. Voir « Chute soudaine du débit de gaz » ci-dessus
Flambée/Embrasement	<ol style="list-style-type: none"> 1. Accumulation de graisse 2. Excès de graisse dans la viande 3. Température de cuisson excessive 4. Excès de farine sur la surface de cuisson 	<ol style="list-style-type: none"> 1. Nettoyez le four 2. Éliminez la graisse de la viande avant la cuisson 3. Réglez (diminuez) la température en conséquence 4. Époussetez les restes de farine de la surface de cuisson
Retour de flamme (feu dans le tube du brûleur, grondement du brûleur)	<ol style="list-style-type: none"> 1. Le brûleur et/ou les tubes du brûleur sont bouchés 2. Chute de pression lors de l'allumage 3. Le four est face au vent 	<ol style="list-style-type: none"> 1. Fermez la vanne d'arrivée de gaz. Nettoyez le brûleur et/ou les tubes du brûleur. 2. Éteignez le four, assurez-vous que la vanne de la bouteille est complètement ouverte (s'il y a lieu) et rallumez. 3. Mettez le four dos au vent une fois qu'il a refroidi.



L'équipe du service clientèle d'ooni est joignable via www.ooni.com ou support@ooni.com

Consommation horaire nominale de gaz

Ooni Karu 16 - grill extérieur de gaz				
Type de gaz	Nombre de brûleurs	Taille de l'injecteur du brûleur principal (mm)	Consommation totale de gaz (BTU/h)	Pression de gaz kPa
Propane	1	1.11	29000	2.74
7iwc NG	1	1.75	29000	1.77

Informations techniques du produit

Numéro de modèle

BG07-100A (Ooni Koda 16)

Étiquette du produit

ooni

Always route the gas hose away from the oven. The hose must not touch the oven body.

WARNING Hose pipe can be a tripping hazard

Coloca siempre el tubo flexible de gas alejado del horno. El tubo flexible no debe tocar el cuerpo del horno.

ADVERTENCIA El tubo flexible puede generar riesgo de tropiezos

Eloignez toujours le tuyau à gaz du four. Le tuyau ne doit pas toucher à la structure du four.

MISE EN GARDE Le tuyau peut présenter un risque de trébuchement

PA-A00024

ooni

Le fabricant: Ooni Limited
Modèle: Ooni Koda 16
Ooni Limited, Unit 5, Bishopsgate Business Centre,
189 West Main Street, Broxburn, UK, EH52 5LH

- Ne rangez pas le cylindre à gaz de recharge LP sous l'appareil ou à proximité.
- Ne remplissez jamais le cylindre à plus de 80 % de sa capacité.
- Le non-respect des consignes ci-dessus pourrait causer un incendie mortel ou de blessures graves.
- Le dégagement minimum entre les côtés de l'unité et une construction combustible est de 24 po des côtés et de 24 po du devant.
- N'utilisez pas l'appareil sous des surfaces combustibles.
- **AVERTISSEMENT** : Utilisez seulement le régulateur de pression à gaz fourni avec cet appareil. Ce régulateur est conçu pour une sortie de pression de 11 pouces CE.
- Fermez l'alimentation LP au cylindre lorsque l'appareil n'est pas utilisé.
- Cet appareil n'est pas conçu pour un usage commercial.
- Ce manuel d'instruction comprend d'importantes informations nécessaires au bon assemblage et à l'utilisation sécuritaire de l'appareil.
- Assurez-vous de lire et de suivre tous les avertissements et les instructions avant d'assembler et d'utiliser l'appareil.
- Assurez-vous de suivre tous les avertissements quand vous utilisez l'appareil. Conservez ce manuel à titre de référence.
- Si les instructions ou des pièces sont manquantes, communiquez avec le service d'assistance à support.ooni.com

ooni

INSTRUCTIONS D'ALLUMAGE - POUR ALLUMER LE BRÛLEUR

Lisez bien toutes les instructions avant de procéder à l'allumage

- Assurez-vous que le bouton de commande est en position **ARRÊT**, puis activez la vanne du cylindre de propane liquide en la tournant lentement dans le sens contraire des aiguilles d'une montre.
- Enfoncez le bouton de commande et tournez-le lentement dans le sens contraire des aiguilles d'une montre jusqu'à ce qu'il s'enclenche et que le brûleur s'allume.
- Si le brûleur ne s'allume pas, fermez le bouton de commande, attendez 5 minutes puis recommencez le processus d'allumage.

ANS Z21.89-2017 CSA 1.18-2017 Cuisiner en plein air spécialisés appareils à gaz. Pour une utilisation extérieure seulement. Si l'appareil est rangé à l'intérieur, retirez le cylindre et laissez-le à l'extérieur.

	Propane	Taux d'entrée (BTU/H)
Composant	Taille de l'orifice	
Brûleur principal	1.11mm	29000

Adresse du fabricant :

Ooni Limited, Unit 5, Bishopsgate Business Centre, 189 West Main Street, Broxburn, UK, EH52 5LH

