

LG SIGNATURE

US26WBB92S

42" Built-In Side-By-Side Refrigerator

- Pro-Style Design with Seamless Finish in Every Edge and Corner
- 25.6 cu.ft Largest Capacity
- ENERGY STAR® Qualified
- Stainless Steel Tall Ice & Water Dispenser
- Versatile Interior Design
- Sliding Door Baskets, Removable Drawers, Slam-Proof™ Drawers
- Soft Closing Door
- ThinQ®
- 2 Year Limited Warranty

LG ThinQ®



Control Panel



Dispenser



ThinQ App

CAPACITY

Refrigerator (cu.ft.)	16.25
Freezer (cu.ft.)	9.35
Total (cu.ft.)	25.6

FEATURES

Energy Rating	ENERGY STAR® Qualified
Energy Consumption	762 kwh/year
Ice & Water Dispenser	Yes
Dispenser Type	External Ice & Water Dispenser
Daily Ice Production	3.5 lbs/ 3.8 lbs
Ice System	SpacePlus™ Ice System
Ice Storage Capacity	4.0 lbs
Water Filtration System	LT700P
Linear Compressor	Yes

CONVENIENCE

Display Type	Touch/ White LED
Temperature Controls	Yes
SmartDiagnosis™	Yes
Auto Closing Door Hinge	Yes

REFRIGERATOR

No. of Shelves	4 Split
Shelf Construction	Tempered Glass
Crisper Bins	3 (2 Magic Crispers)
Refrigerator Light	Premium LED

REFRIGERATOR DOOR

No. of Shelves/ Bins	5 Total with Moving Baskets
Door Bin Construction	3 Piece (Clear+Opaque+Spray Deco)
Handle Type	LG Signature Handle

FREEZER

No. of Shelves	4
Drawers	3
No. of Door Bins	2
Freezer Light	Premium LED

MATERIALS AND FINISHES

Surface	Stainless Steel
Available Colors	Stainless Steel (ST)
Handles	LG Signature Design

DIMENSIONS

Depth with Handles	27 7/8"
Depth without Handles	25 3/8"
Depth without Door	22 1/2"
Depth (Total with Door Open)	48 5/16"
Height to Top of Case	83 1/2"
Width	42"
Width (Door Open 90° with Handle)	45 9/16"
Width (Door Open 90° without Handle)	41"
Installation Clearance	Built- In
Cabinet Dimensions Cut-Out Size	41 1/2" x 83 3/4" x 24"
Weight (Unit/ Carton)	542 lbs. / 615 lbs.
Carton Dimensions (WxHxD)	44 1/10" x 90 3/5" x 30 1/10"

LIMITED WARRANTY

Parts and Labor	2 Years
Sealed System (Parts & Labor)	5 Years
Compressor (Parts & Labor)	5 Years
Linear Compressor (Parts Only)	6-10 Years

UPC CODE

US26WBB92S	48231350532
------------	-------------

KEY FEATURES

PRODUCT FEATURES

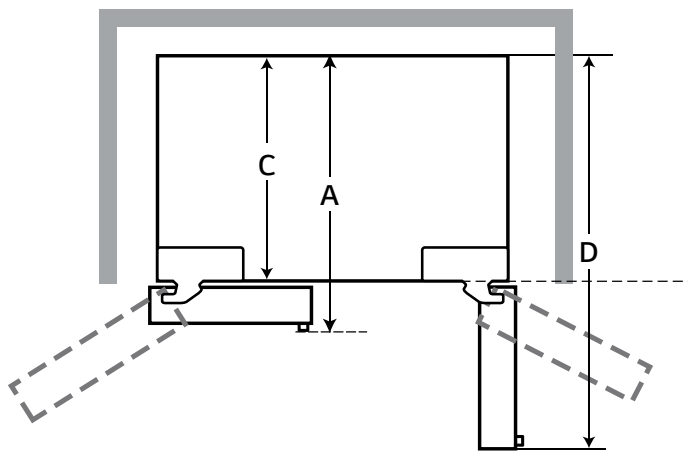
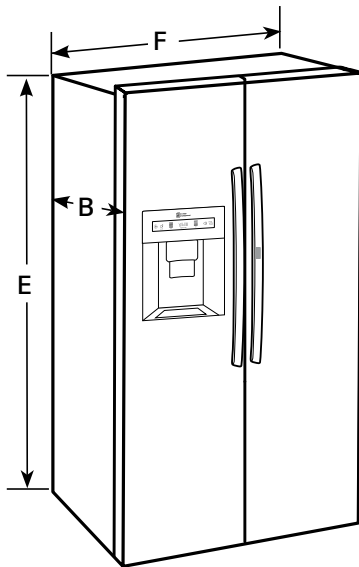
US26WBB92S

42" Built-In Side-By-Side Refrigerator

QUICK INSTALL & CLEARANCES

For full installation directions/clearances please refer to the corresponding User Manual and Installation Guide.

PRODUCT DIMENSIONS

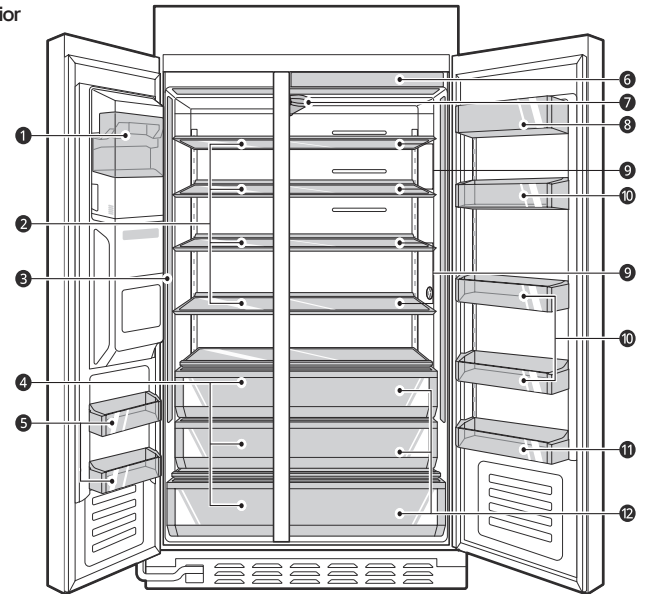


DIMENSION / CLEARANCE

A	Depth without Door	22 1/2"
B	Depth with Handle	27 7/8"
C	Depth without Handles	25 3/8"
D	Depth (Total with Door Open)	48 5/16"
E	Height to Top of Case	83 1/2"
F	Width	42"
	Width (Door Open 90° with Handle)	45 9/16"
	Width (Door Open 90°) without Handle	41"
	Installation Clearance	Side 1/4", Top 1/4", Back 1/6"
	Cabinet Dimension Cut-Out Size	41 1/2" x 83 3/4" x 24"
	Carton Dimensions (WxHxD)	44 1/10" x 90 3/5" x 30 1/10"

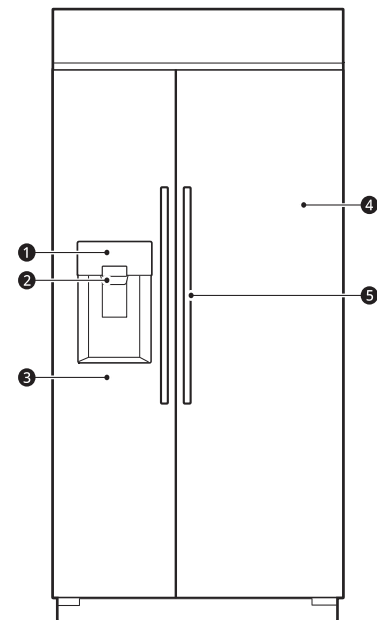
PRODUCT OVERVIEW

Interior



- 1 Automatic Ice maker - Produces ice automatically
- 2 Adjustable Freezer Shelf - The shelves in the freezer are adjustable to meet individual storage needs
- 3 LED Interior Lighting - Lights up the inside of the refrigerator
- 4 Freezer Drawer - Use for long-term storage of frozen items
- 5 Freezer Door Bin - Stores small packages of frozen food. Do not store ice cream or food which will be stored for a long period of time.
- 6 Control Panel - Sets the refrigerator temperature and freezer temperature
- 7 Water Filter - Purifies Water
- 8 Dairy Bin - Dairy bin is specially designed for cheese, butter and condiment storage
- 9 Adjustable Fridge Shelf - The shelves in the fridge are adjustable to meet individual storage needs.
- 10 Adjustable Door Bin - Store small packages of refrigerated foods, drinks and sauce containers. The adjustable door bins are removable for easy cleaning and adjustment
- 11 Gallon Bin - Stores larger containers, such as gallons of milk
- 12 Crisper - Stores vegetables and fruits

Exterior



- 1 Dispenser Control Panel - Sets the dispenser mode.
- 2 Filtered Water and Ice Dispenser - Dispenses purified water and ice
- 3 Refrigerator - Fresh food compartment
- 4 Freezer - Frozen food compartment
- 5 Handle - Opens and closes the refrigerator and freezer doors.