

Pixie Air® Series

WHISPER POWER

30" & 36" UNDER-CABINET RANGE HOOD (Convertible)

Models: **UQS3001, UQG3002, UQG3602**

FOTILE's Pixie Air Range Hoods are sleek and ultra-slim that blend seamlessly into your kitchen with a clean low profile. Powerful Dual WhisPower motors and Captur-Shield technology remove smoke, grease, and odors effortlessly with very little background noise. Enjoy powerful quiet kitchen ventilation.

The Pixie Air incorporates CAT (CFM Adjustment Technology) that makes it efficient for Local CFM zoning laws. The Pixie Air keeps your family safe with FOTILE's Intelligent Air Management System that detects harmful organic gases and vents them out of the house. The Pixie Air is a perfect balance of Design, Safety, Performance, and Convenience. Enjoy a fresh clean kitchen with the Pixie Air Series.



Features & Benefits



3.0 Captur-Shield Technology

- Covers 30" cooktop with 5 burners, nearly 6 Sq. Ft. of cooking area
- Creates a "Coanda Effect" ensuring ultra-fast powerful ventilation



Dual WhisPower Motors

- Industry Leading Technology
- Equivalent to 850CFM, powerful and efficient ventilation
- Refreshes the whole kitchen in just minutes



Intelligent Air Management System

- Monitors the Kitchen for harmful gases or noxious fumes
- The fan will automatically operate and extract harmful gases out of the house



Innovative LED Design

- Lights up your cooktop surface so you can easily see the food you are cooking
- Bright Vision with avg. 600LUX



Simple to Clean

- Detachable Captur-Shields with integrated oil cup
- Dishwasher safe or hand clean with soap and water



Motion Gesture Activation

- Contact-less Touch Free Operation
- Simply Wave to the Pixie Air, and it will automatically Power On / Off with fan and lights

Pixie Air® Series

WHISPER POWER

30" & 36" UNDER-CABINET RANGE HOOD (Convertible)

Models: UQS3001, UQG3002, UQG3602



MODEL	UQS3001	UQG3002	UQG3602
Dimensions & Weight			
Dimensions (WxHxD)(inch)	29 13/16 x 7 1/8 x 22 1/16	29 13/16 or 35 3/4 x 7 1/8 x 22 1/16	35 3/4 x 7 1/8 x 22 1/16
Duct Size (inch)	Vertical: Round 7" Horizontal: Rectangular 3 1/4" x 10"	Vertical: Round 7" Horizontal: Rectangular 3 1/4" x 10"	
REC. Mounting Height (from cooktop to the bottom of cabinet)	32"-36"		32"-36"
Net Weight (lb)	52	54	56
Gross Weight (lb)	64	66	68
Packing-Box Size (WxDxH)(inch)	34 1/2 x 15 3/4 x 28 3/4	34 1/2 x 15 3/4 x 28 3/4	40 9/16 x 14 3/16 x 30 3/4
Technical Specifications			
Motor	Dual AC Motors	Dual AC Motors	
Motor Power (W)	256W	260W	
Power Supply	120V/60Hz	120V/60Hz	
Amps	Max. 1.7A	Max. 2.3A	
Power cord	Included	Included	
Features and Functions			
Material	Stainless Steel	Stainless Steel with Tempered-glass Panel	
Max Static Pressure (Pa)	340Pa	410Pa	
Speed Setting	3	4	
Air Volume(CFM)(HVI) - Horizontal Air Volume(CFM)(HVI) - Vertical	240 / 370 / 470 240 / 370 / 460	240 / 370 / 460 / 590 240 / 370 / 470 / 600	
Noise(sones)(HVI) - Horizontal Noise(sones)(HVI) - Vertical	2.0 / 4.5 / 5.5 1.1 / 2.5 / 4.0	1.5 / 4.0 / 5.5 / 8.0 1.2 / 2.5 / 4.0 / 6.0	
Noise(dB) - Horizontal Noise(dB) - Vertical	38.26 / 45.95 / 51.08 38.50 / 46.00 / 51.40	38.20 / 46.01 / 51.25 / 56.10 38.50 / 46.00 / 51.40 / 56.40	
Illumination (W)	3W x 2 (LED)(5500°K)(avg.600LUX)	3W x 2 (LED)(5500°K)(avg.600LUX)	
Night Mode Lighting	N	Y	
Grease Cup	Y (combined with captur-shield, dishwasher safe)	Y (combined with captur-shield, dishwasher safe)	
Oil Filter	Simple to Clean	Simple to Clean	
Captur-Shield	Professional 3.0 Gen	Professional 3.0 Gen	
Control Type	Soft Touch Buttons	Touch + Motion	
Delay Shutoff	N	5/15/30min	
Boost	N	Y	
CAT (CFM Adjustment Tech)	YES* Max.HVI CFM can be adjusted to under 400CFM by operating the function buttons.		
Intelligent Air Management	Y	Y	
Oil Filtration Rate	94%	94%	
Odor Reduction Rate	99%	99%	
Accessories	Recirculation Kit (optional)	Recirculation Kit (optional)	
	Vertical Vent Duct Kit(included)	Vertical Vent Duct Kit(included)	
	Horizontal Vent Duct Kit(optional)	Horizontal Vent Duct Kit(optional)	
Warranty 5 YEARS PARTS (LIFETIME MOTORS); 2 YEARS LABOR			

*The FOTILE CAT (CFM Adjustment Tech) function can not be reversed or DEACTIVATED once it is ACTIVATED. When ACTIVATED the CAT feature will reduce the CFM rating according to your local municipality ordinance.

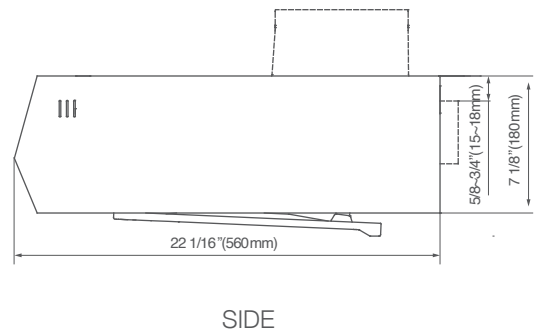
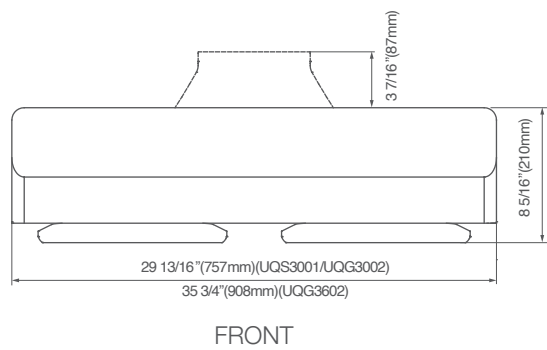
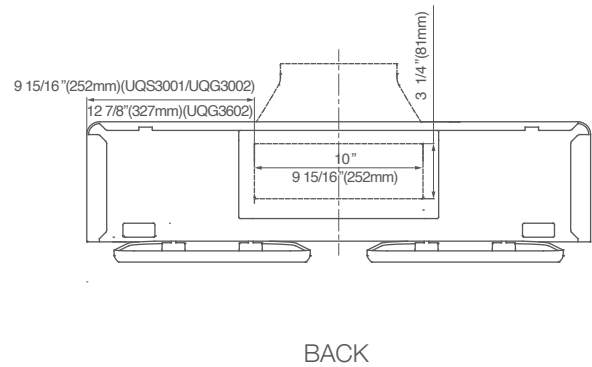
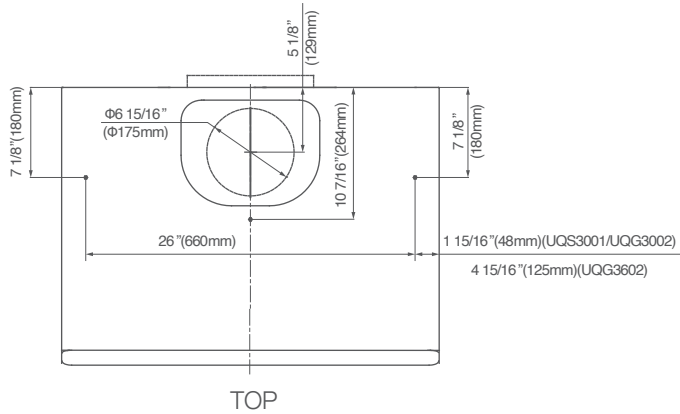
Pixie Air® Series

WHISPER POWER

30" & 36" UNDER-CABINET RANGE HOOD (Convertible)

Models: UQS3001, UQG3002, UQG3602

Product Dimensions



Kitchen Design



UQG3002



UQG3002



UQS3001



UQS3001