

Stainless Frame

Key Features

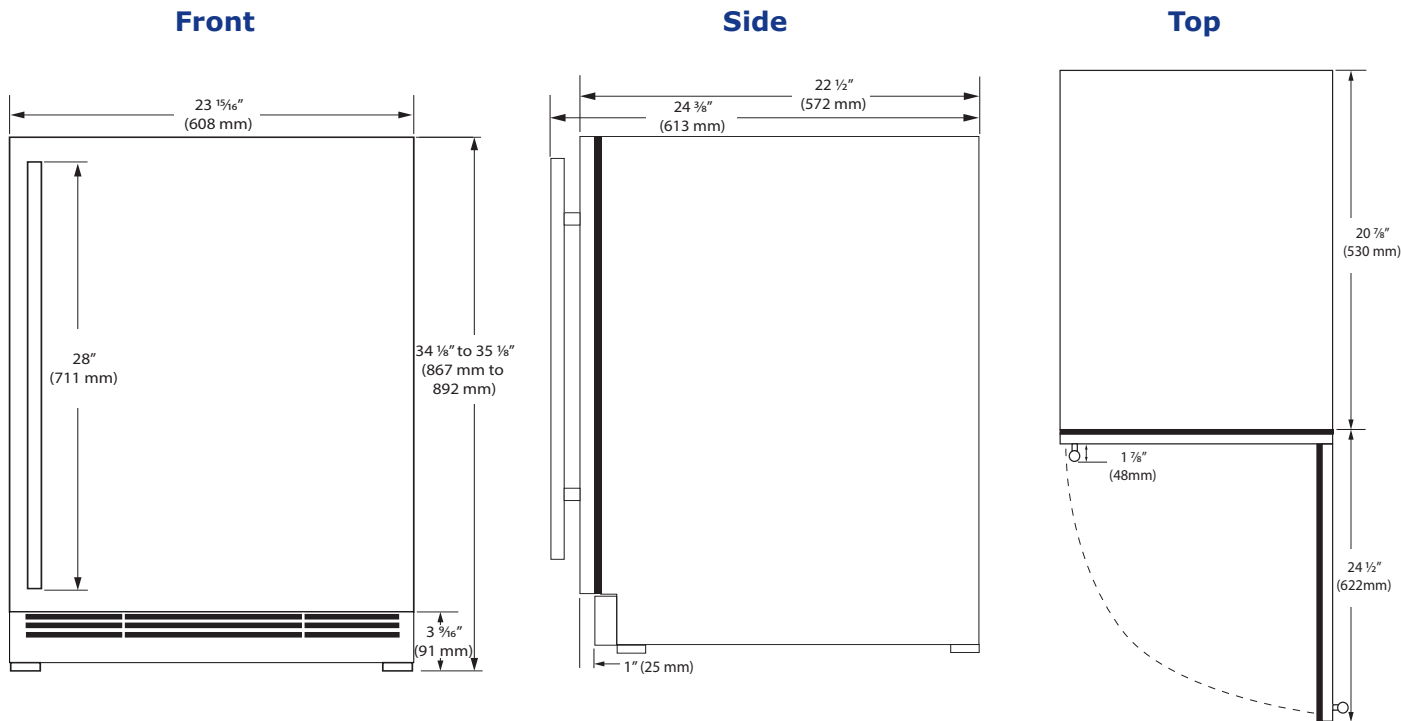
- Convection cooling system provides a quick cool down and consistent temperature
- Extended lower interior maximizes storage options
- Black interior
- LowE coated, argon gas filled, dual thermopane glass door provides protection from harmful UV Light
- Stainless steel grille and full-wrap door
- Four fixed black wine racks
- Wine racks accommodate a variety of bottle sizes including champagne and magnum bottles
- Digital touch pad control
- Temperature range: 34°F to 60°F
- Bright white LED lighting
- Volume of 5.7 cu ft holds up to 38 wine bottles (750 ml)
- Stainless steel handle (7/8" diameter)
- Field reversible door is shipped right-hand hinged
- Integrated model requires 3/4" custom door panel and handle (not supplied by U-Line)
- Built-in or freestanding
- Four adjustable leveling legs

Model Details

Model	Voltage/Hz	Door Swing	Finish	Shipping Weight
UHWC024-SG01A	115 / 60	Field Reversible	Stainless Frame	124 lb

Accessories

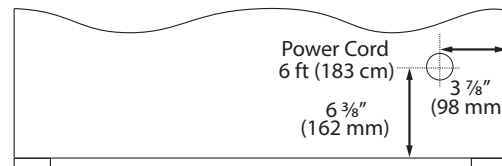
Model	Description	Finish	Shipping Weight
ULAFREESTANDB	Freestanding Kit	Black	3 lb



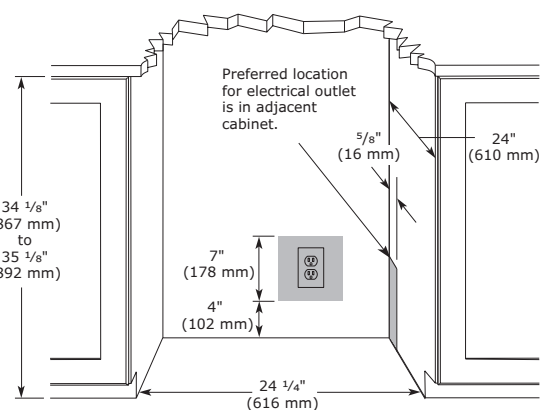
Specifications

Model	HWC024
Amps: Running (115 v)	1.2 A
Capacity: Wine Bottle (750 ml)	38
Capacity: Volume (cu ft)	5.7
Dimensions: Product Depth	22 1/2" / 572 mm
Dimensions: Product Height	34 1/8" / 867 mm
Dimensions: Product Width	23 15/16" / 608 mm
ENERGY STAR	No
Energy Consumption: Avg. Per Year	278 kWh
Refrigerant Type	R600a (1.23 oz)
Sabbath (Star K Certified)	Yes
Temperature Range	34°F to 60°F

Back



Cabinet Cut-Out



Warranty

- 1 Year (parts & labor) / 5 year sealed system (parts)
- + **Additional 1 Year (parts & labor) warranty at no cost with product registration**

See complete warranty for details



Installation Notes

- 24" cutout width sufficient if door protrudes beyond adjacent cabinetry
- No additional clearance is needed for ventilation
- Do not obstruct front grille air flow

