

UCVM30XS

30-INCH DOWNDRAFT VENTILATION

MASTERPIECE® COLLECTION



FEATURES & BENEFITS

- 15" telescopic design rises to capture heat, smoke, grease, and steam
- Flexible discharge design gives 6 configurations to maximize space
- Remote or inline blowers to reduce noise, integral for top performance
- Features automatic mode, delay shut-off, and check filter light
- Recirculation kit available, use with induction/electric cooktops only

BLOWERS AND TRANSITIONS

Remote Blowers

VTR1FZ – 600 CFM

VTR2FZ – 1000 CFM

Inline Blowers

VTI1FZ – 600 CFM

VTI2FZ – 1000 CFM

Flexible Blower

VTD600P – 600 CFM

Remote and Inline Blower Downdraft Transitions

CVTSIDE6 – 6" Side / Rear Transition

CVTSIDE8 – 8" Side / Rear Transition

CVTSIDE10 – 10" Side / Rear Transition

CVTFRONT6 – 6" Round Front Plate

CVTFRONT8 – 8" Round Front Plate

CVTFRONT10 – 10" Round Front Plate

CVDUCT2 – 2' Rectangular Duct

CVTRECT2 – Transition for Rectangular Duct

GENERAL PROPERTIES

Operating Mode	Convertible: Ducted / Recirculating
Maximum CFM	Blower Sold Separately
Number of Speed Settings	3-Stage
Motor Location	External
Number of Lights	N/A
Damper Included	No
Grease Filter Material	Washable Synthetic
Grease Filter Type	Multilayer Cassette

TECHNICAL DETAILS

Current	10 A
Volts	120 V
Frequency	60 Hz
Plug Type	120V-3 prong
Power Cord Length	30"

DIMENSIONS & WEIGHT

Overall Appliance Dimensions (Width of Canopy Included) (HxWxD)	44 3/8" x 31" x 2 3/4"
Height of the Rise	15"
Diameter of Air Duct Internal	8"
Diameter of Air Duct External	6", 8" or 10"
Net Weight	37 lbs

ACCESSORIES (REQUIRED)

Blower (Sold Separately)

WARRANTY

Limited Warranty Parts and Labor	2 Year
----------------------------------	--------

ACCESSORIES (OPTIONAL)

Recirculation Kit – Use with induction/electric cooktops only

UCVRECIRC

Replacement Charcoal Filters

HDDFILTUC

Downdraft Gas Cooktop Seal Trim Kit (Required for Installation with Gas Cooktops)

UCV30ST

5 ft. Electrical Panel Extension Cable

EXTNCE5

Roofplates

RFPLT600P – For Use with 600 CFM Remote Blower VTR1FZ

RFPLT1000P – For Use with 1000 CFM Remote Blower VTR2FZ

25 ft. Blower Connector Cable

For use with the following inline, remote and flexible blowers: VTR1FZ, VTR2FZ, VTI1FZ, VTI2FZ, VTD600P

UCVM30XS

30-INCH DOWNDRAFT VENTILATION

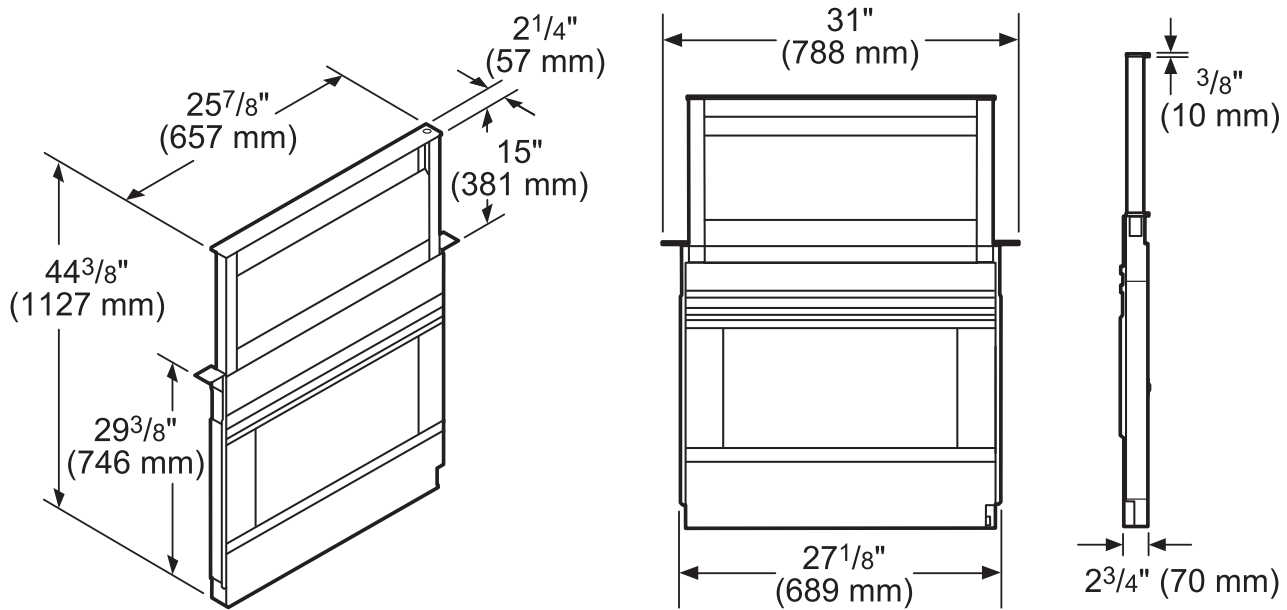
MASTERPIECE® COLLECTION



HVI PERFORMANCE VALUES

DOWNDRAFT UCVM30XS WITH BLOWER VTD600P									
Exhaust	Required Accessories	Pressure (in. H ₂ O)		Power (W)		CFM		Sones	
		High Speed	Working Speed	High Speed	Working Speed	High Speed	Working Speed	High Speed	Working Speed
Front	None	0.1	0.018	285	68.5	380	160	12.0	2.0
Left	Optional Adapter Model: CVTSIDE8	0.1	0.016	279	67.0	360	150	11.0	2.5
Right		0.1	0.017	288	65.7	350	140	11.0	1.4
Rear		0.1	0.018	279	66.9	360	150	10.0	1.5
Bottom		0.1	0.018	286	66.0	370	150	11.0	1.5
Front	None	0.25	—	—	—	360	—	—	—
Left	Optional Adapter Model: CVTSIDE8	0.25	—	—	—	340	—	—	—
Right		0.25	—	—	—	330	—	—	—
Rear		0.25	—	—	—	340	—	—	—
Bottom		0.25	—	—	—	350	—	—	—

HOOD DIMENSIONS

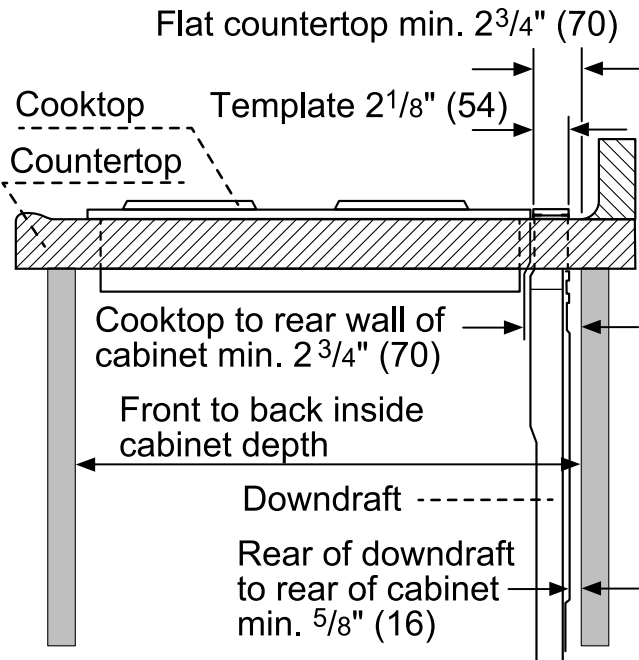


measurements in inches (mm)

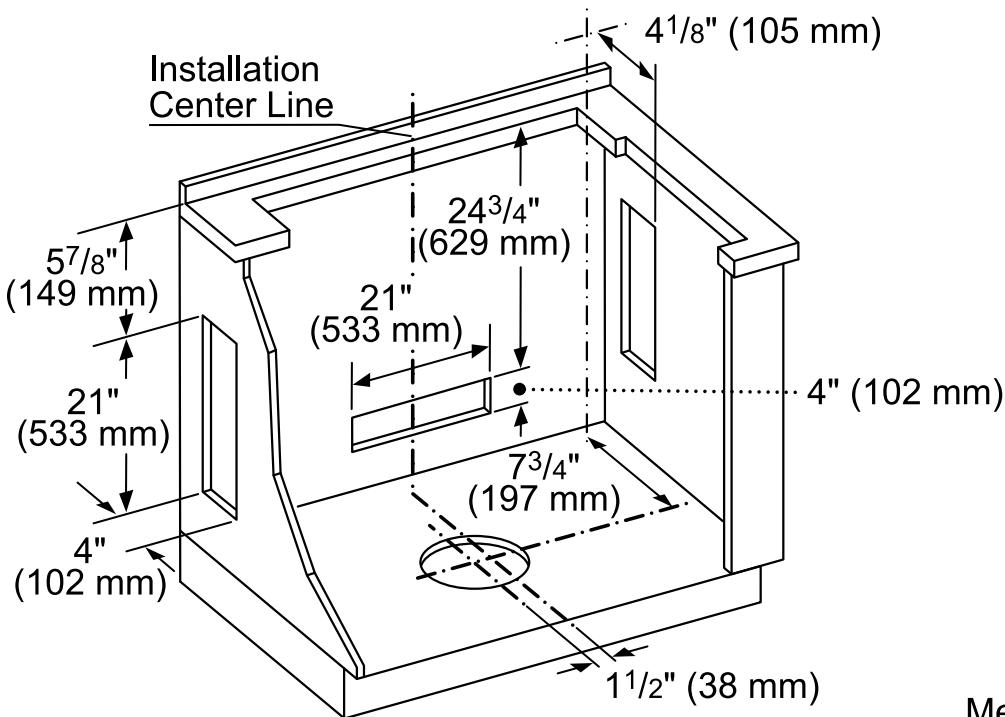
UCVM30XS
30-INCH DOWNDRAFT VENTILATION
 MASTERPIECE® COLLECTION



CUTOUT AND CLEARANCE DIMENSIONS



measurements in inches and (mm)

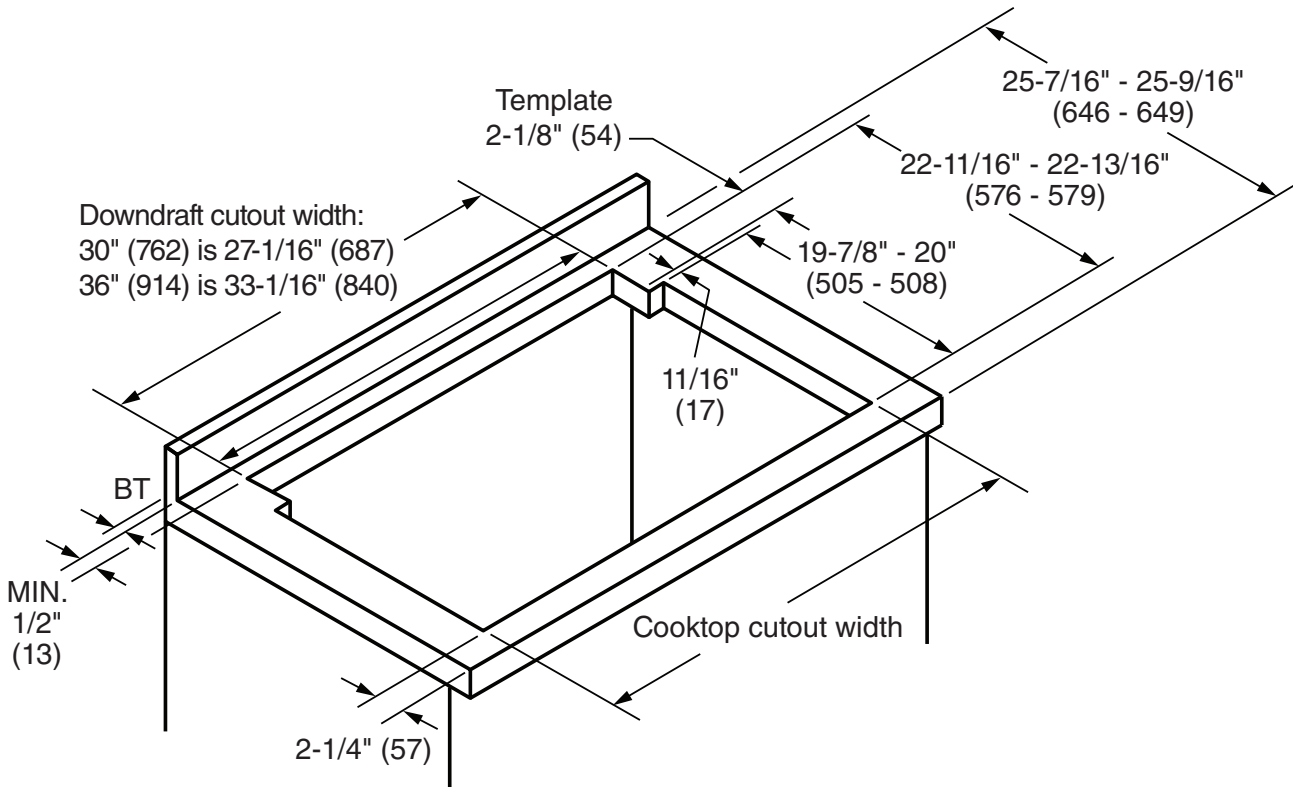


Measurements in inches (mm)

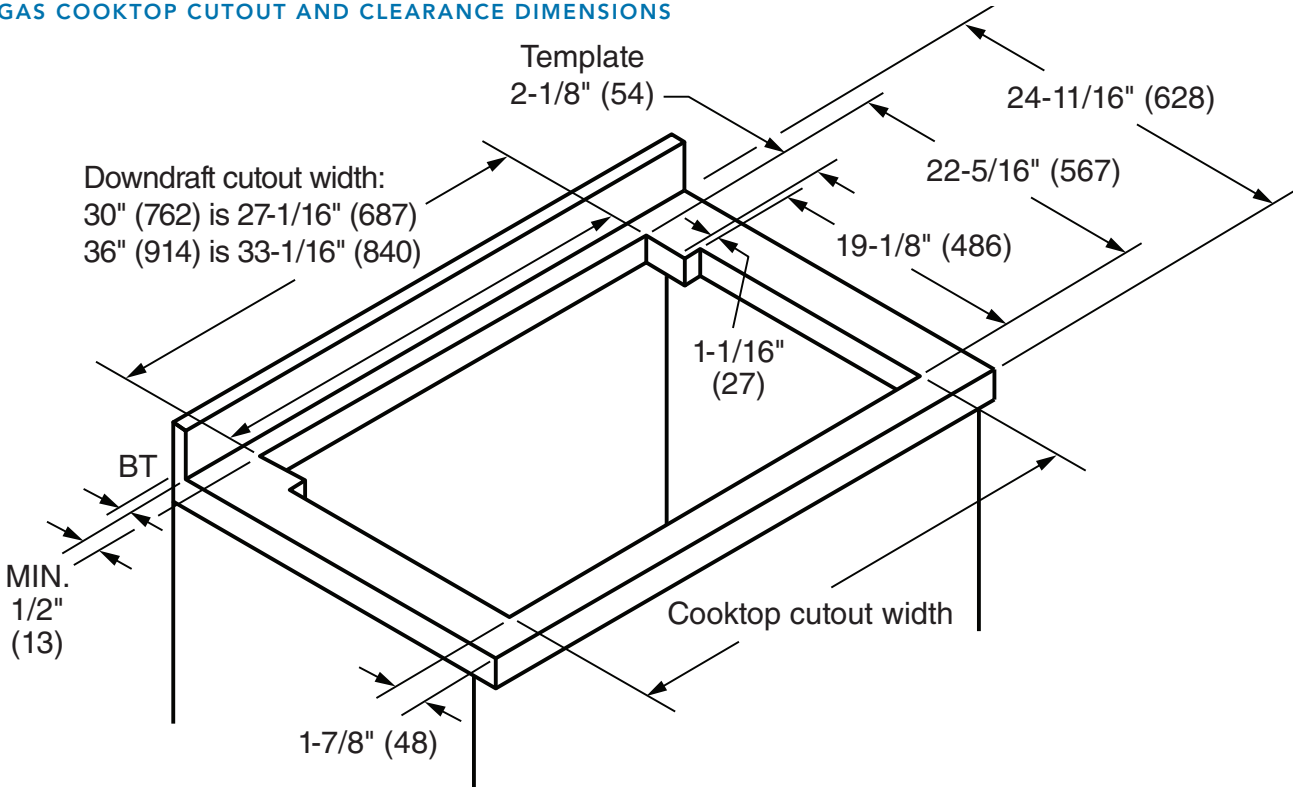
UCVM30XS
30-INCH DOWNDRAFT VENTILATION
 MASTERPIECE® COLLECTION



ELECTRIC OR INDUCTION COOKTOP CUTOUT AND CLEARANCE DIMENSIONS



GAS COOKTOP CUTOUT AND CLEARANCE DIMENSIONS



UCVM30XS

30-INCH DOWNDRAFT VENTILATION

MASTERPIECE® COLLECTION



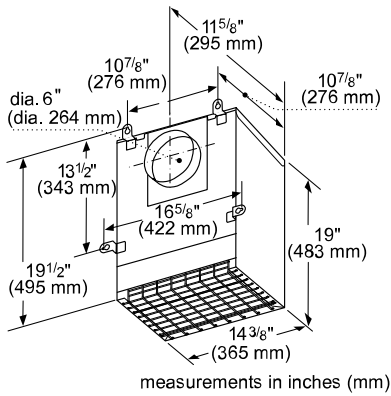
ELECTRIC LOAD (120V, 60HZ)

		Remote Blower		Inline Blower		Flexible Blower
		VTR1FZ	VTR2FZ	VTI1FZ	VTI2FZ	VTD600P
UCVM30XS	Amps	3.1	5.25	2.86	5.39	4.5
	Watts	372	630	343	647	540

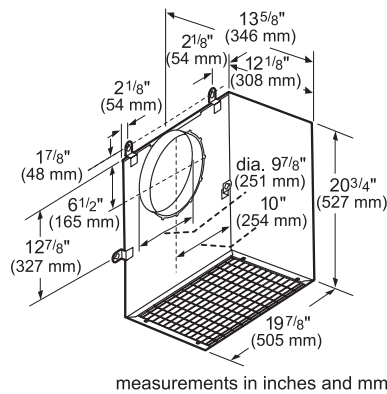
REMOTE OR INLINE BLOWER INSTALLATION

AVAILABLE REMOTE BLOWERS

VTR1FZ – 600 CFM

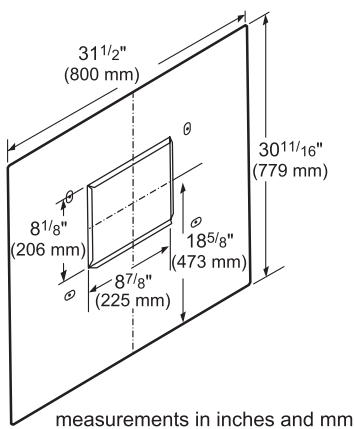


VTR2FZ – 1000 CFM

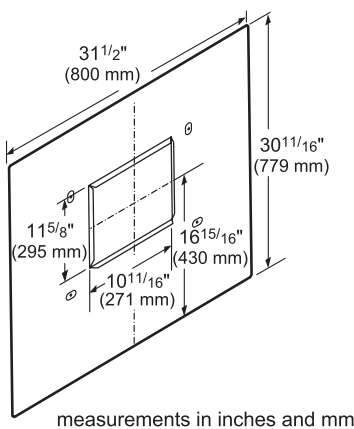


AVAILABLE ROOFPLATES

RFPLT600P – FOR USE WITH 600 CFM REMOTE BLOWER VTR1FZ

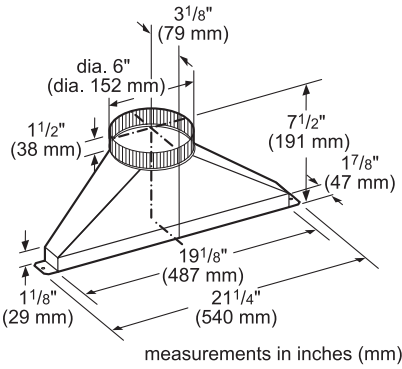


RFPLT1000P – FOR USE WITH 1000 CFM REMOTE BLOWER VTR2FZ

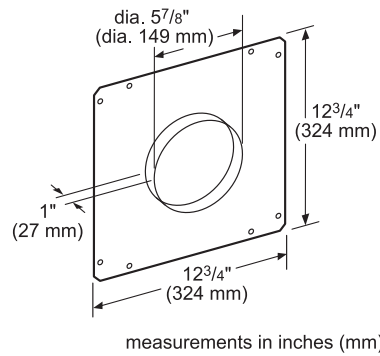


REMOTE OR INLINE BLOWER INSTALLATION CONTINUED

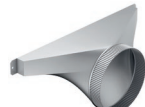
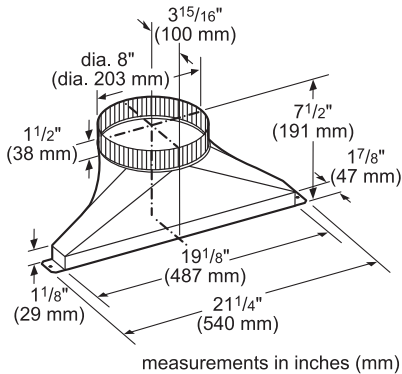
BLOWER DOWNDRAFT TRANSITIONS



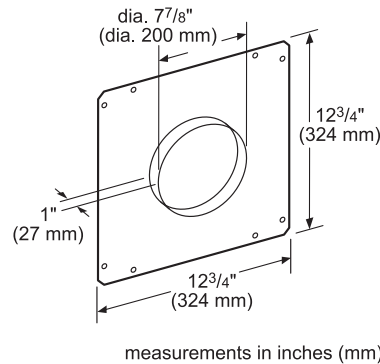
CVTSIDE6
 6" round transition allows for left, right, or rear venting. Use with inline and remote blowers, and ducting with 6" round duct connections.



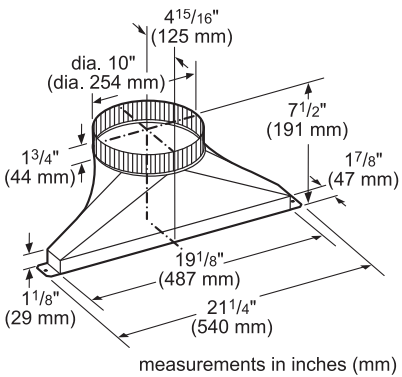
CVTFRONT6
 6" front rough-in plate allows for front venting. Use with inline and remote blowers, and ducting with 6" round duct connections.



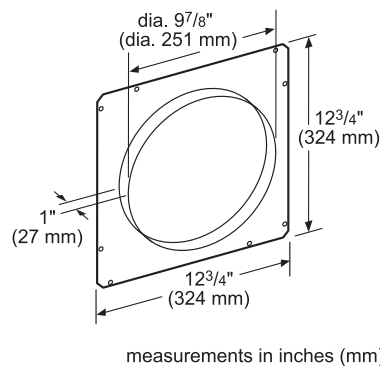
CVTSIDE8
 8" round transition allows for left, right, or rear venting. Use with VTD600P blower as an inline installation, and ducting with 8" round duct connections.



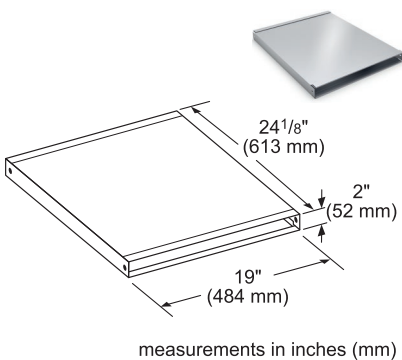
CVTFRONT8
 8" round front plate allows for front downward venting. Use with VTD600P blower as an inline installation, and ducting with 8" round duct connections.



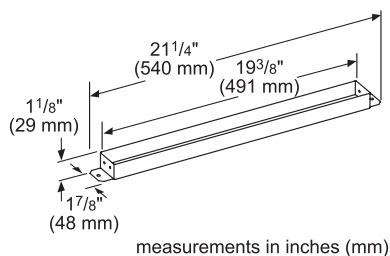
CVTSIDE10
 10" round transition allows for left, right, or rear venting. Use with inline and remote blowers, and ducting with 10" round duct connections.



CVTFRONT10
 10" front rough-in plate allows for front venting. Use with inline and remote blowers, and ducting with 10" round duct connections.



CVDUCT2
 Rectangular 2 ft. long x 1 7/8 in deep x 19 in wide duct. CVDUCT2 transition required to directly connect CVDUCT2 to sides or rear of downdraft housing. Can be used as an extension to exhaust through a cabinet or wall, and can be cut to modify length. For use with installation of inline or remote blower applications with CVTSIDE6, CVTSIDE8, and CVTSIDE10.



CVTRECT2
 Transition required to connect CVDUCT2 rectangular duct to downdraft housing at left, right, or rear

UCVM30XS

30-INCH DOWNDRAFT VENTILATION

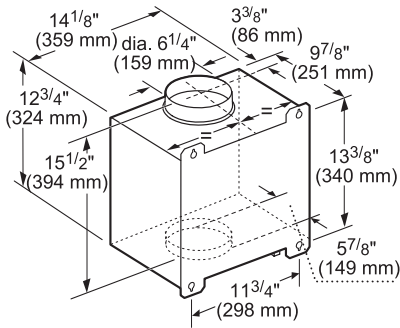
MASTERPIECE® COLLECTION



REMOTE OR INLINE BLOWER INSTALLATION CONTINUED

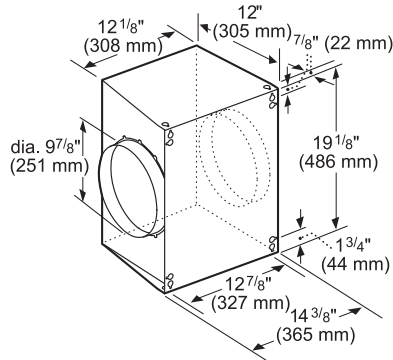
AVAILABLE INLINE BLOWERS

VTI1FZ – 600 CFM



measurements in inches and mm

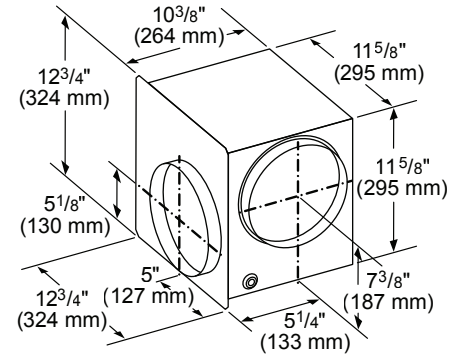
VTI2FZ – 1000 CFM



measurements in inches and mm

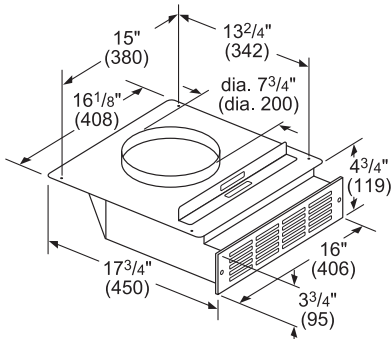
AVAILABLE FLEXIBLE BLOWER

VTD600P – 600 CFM



measurements in inches (mm)

OPTIONAL ACCESSORIES



Measurements in inches and (mm)



RECIRCULATION KIT UCVRECIRC

Includes 1 charcoal filter and 1 metal grill vent plate (blower sold separately). Use with induction/electric cooktops only



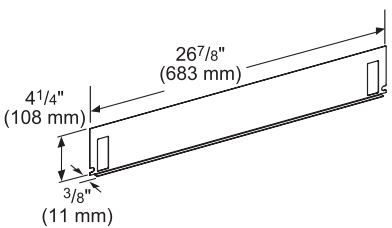
REPLACEMENT CHARCOAL FILTER HDDFILTUC

Includes 1 replacement charcoal filter for UCVRECIRC recirculation kit



EXTNCES

This cable extends 5 ft. to move the electrical panel out of the way to offer full installation flexibility in any ducting scenario while installing the downdraft. Ability to connect two cables together to make a 10 ft. cable.



measurements in inches (mm)



DOWNDRAFT GAS COOKTOP SEAL TRIM KIT UCV30ST

Includes trim, seal, metal grill, and fasteners. Required for installations with 30" gas cooktops.

EXTNCB25W

For use with the following inline, remote and flexible blowers: VTR1FZ, VTR2FZ, VTI1FZ, VTI2FZ, VTD600P

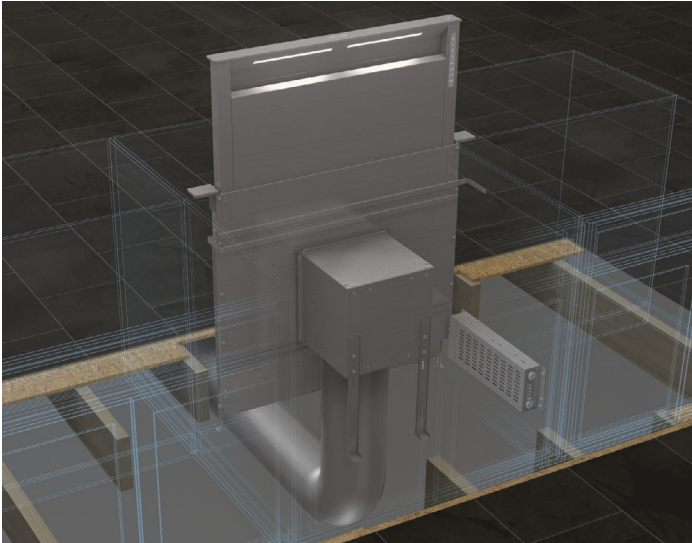
UCVM30XS

30-INCH DOWNDRAFT VENTILATION

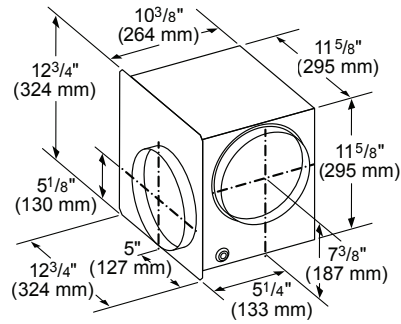
MASTERPIECE® COLLECTION



FLEXIBLE BLOWER INSTALLATION – FRONT EXHAUST EXAMPLE



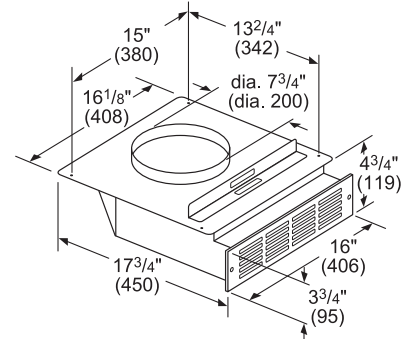
REQUIRED BLOWER



VTD600P – 600 CFM
 600 CFM flexible blower can be installed as an integrated or inline blower

measurements in inches (mm)

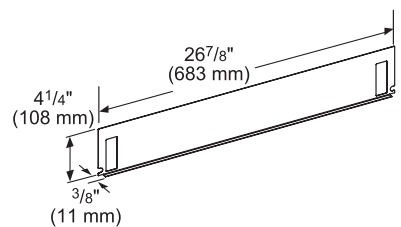
OPTIONAL ACCESSORIES



RECIRCULATION KIT UCVRECIRC

Includes 1 charcoal filter and 1 metal grill vent plate (blower sold separately). Use with induction/electric cooktops only

Measurements in inches and (mm)



DOWNDRAFT GAS COOKTOP SEAL TRIM KIT UCV30ST

Includes trim, seal, metal grill, and fasteners. Required for installations with 30" gas cooktops.

measurements in inches (mm)

APPLICATION

- Front downward application with space under floor line for ductwork*
- Integral blower with front downward application can be used with optional recirculation kit*
- Integral blower can rotate for left or right exhaust
- Elbow and ductwork are not included



REPLACEMENT CHARCOAL FILTER HDDFILTUC

Includes 1 replacement charcoal filter for UCVRECIRC recirculation kit



EXTNCE5

This cable extends 5 ft. to move the electrical panel out of the way to offer full installation flexibility in any ducting scenario while installing the downdraft. Ability to connect two cables together to make a 10 ft. cable.

*For only front downward ducting applications, electrical panel must be remotely mounted. Optional 5' extension cable EXTNCE5 accessory is available to connect remotely placed electrical panel to downdraft. Refer to installation manual.

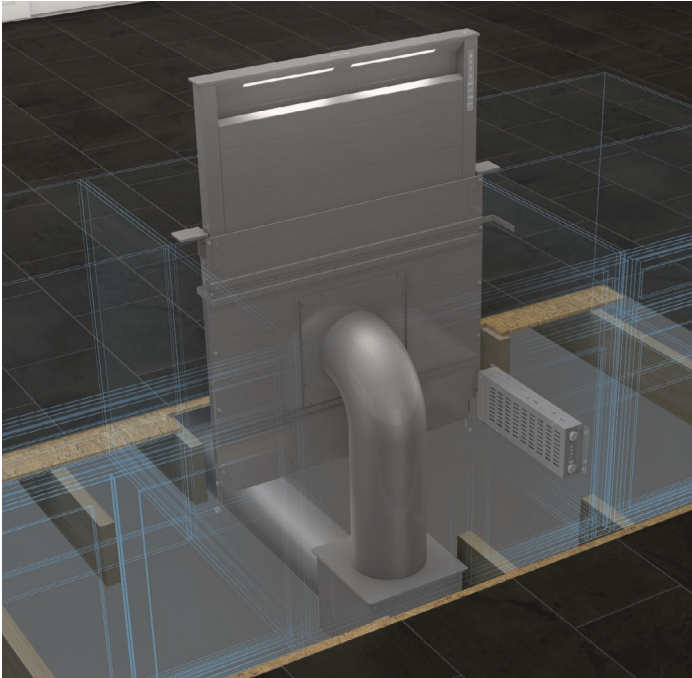
UCVM30XS

30-INCH DOWNDRAFT VENTILATION

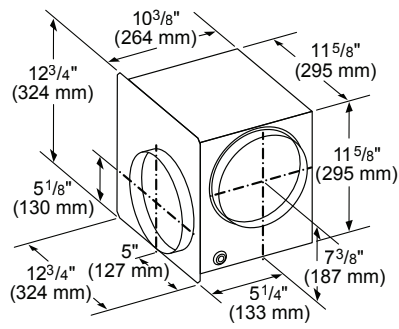
MASTERPIECE® COLLECTION



FLEXIBLE BLOWER INSTALLATION – FRONT EXHAUST WITH FLEXIBLE BLOWER BELOW FLOOR LINE EXAMPLE



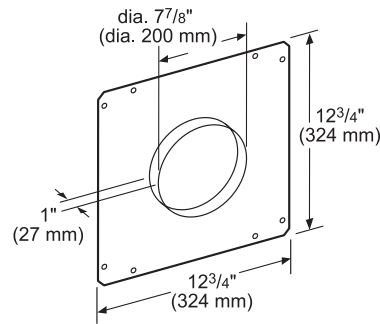
REQUIRED BLOWER



VTD600P – 600 CFM
 600 CFM flexible blower can be installed as an integrated or inline blower

measurements in inches (mm)

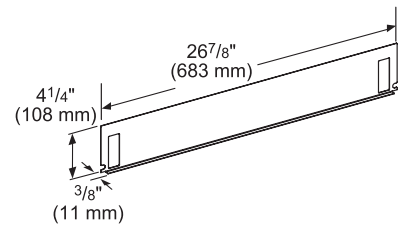
REQUIRED ACCESSORIES



CVTFRONT8
 8" round front plate allows for front downward venting. Use with VTD600P blower as an inline installation, and ducting with 8" round duct connections.

measurements in inches (mm)

OPTIONAL ACCESSORIES

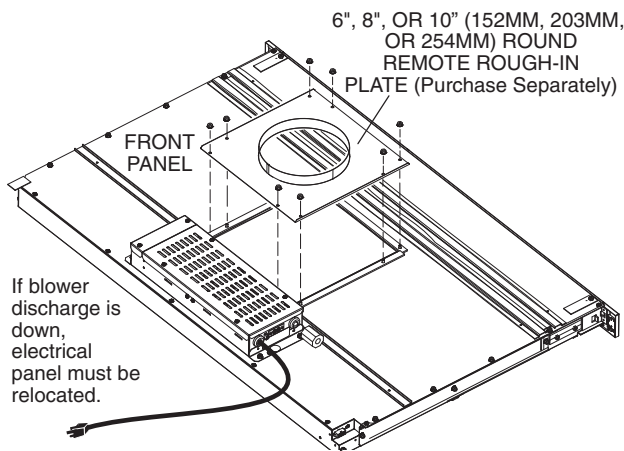


DOWNDRAFT GAS COOKTOP SEAL TRIM KIT UCV30ST
 Includes trim, seal, metal grill, and fasteners. Required for installations with 30" gas cooktops.

measurements in inches (mm)

APPLICATION

- Front downward application with space under floor line for ductwork*
- Elbow and ductwork are not included



EXTNCES

This cable extends 5 ft. to move the electrical panel out of the way to offer full installation flexibility in any ducting scenario while installing the downdraft. Ability to connect two cables together to make a 10 ft. cable.

*For front downward ducting applications, electrical panel must be remotely mounted. Optional 5' extension cable EXTNCES5 accessory is available to connect remotely placed electrical panel to downdraft. Refer to installation manual.

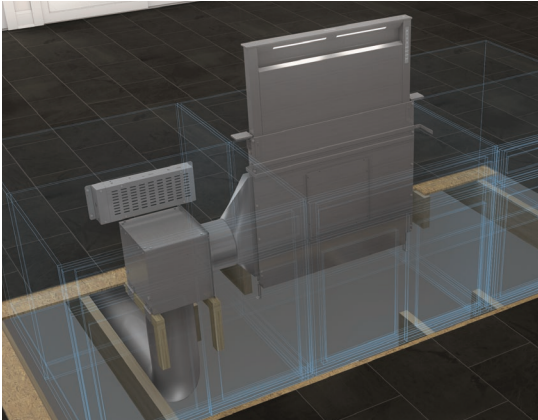
UCVM30XS

30-INCH DOWNDRAFT VENTILATION

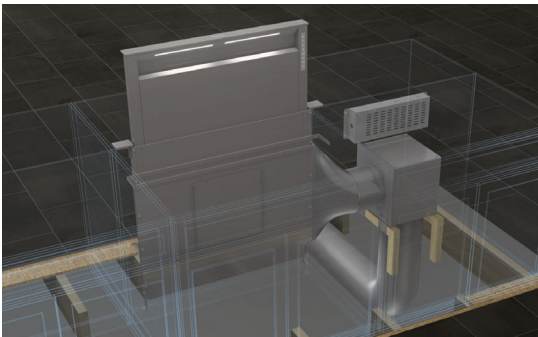
MASTERPIECE® COLLECTION



FLEXIBLE BLOWER INSTALLATION – LEFT OR RIGHT SIDE EXHAUST EXAMPLE



Left Side Exhaust

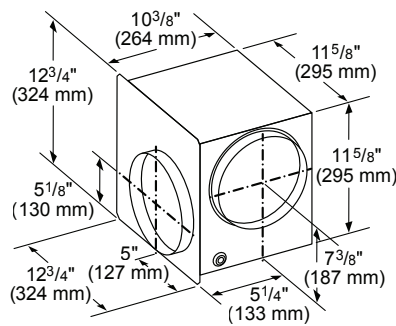


Right Side Exhaust

APPLICATION

- Left or right side exhaust options to preserve precious kitchen storage space or if ducting is more convenient for these configurations*
- Requires at least 18" of clearance to fit the blower and transition
- Blower must be accessible for maintenance
- Elbow and ductwork are not included

REQUIRED BLOWER

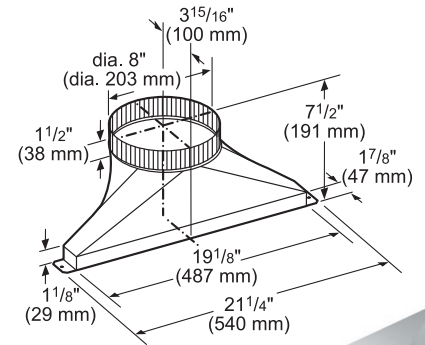


measurements in inches (mm)

VTD600P – 600 CFM

600 CFM flexible blower can be installed as an integrated or inline blower

REQUIRED ACCESSORY

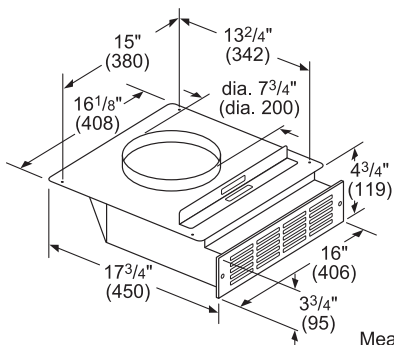


measurements in inches (mm)

CVTSIDES

8" round transition allows for left or right venting. Use with VTD600P blower as an inline installation, and ducting with 8" round duct connections.

OPTIONAL ACCESSORIES



Measurements in inches and (mm)



RECIRCULATION KIT UCVRECIRC

Includes 1 charcoal filter and 1 metal grill vent plate (blower sold separately). Use with induction/electric cooktops only.



REPLACEMENT CHARCOAL FILTER HDDFILTUC

Includes 1 replacement charcoal filter for UCVRECIRC recirculation kit



EXTNCE5

This cable extends 5 ft. to move the electrical panel out of the way to offer full installation flexibility in any ducting scenario while installing the downdraft. Ability to connect two cables together to make a 10 ft. cable.



DOWNDRAFT GAS COOKTOP SEAL TRIM KIT UCV30ST

Includes trim, seal, metal grill, and fasteners. Required for installations with 30" gas cooktops.

*For only front downward ducting applications, electrical panel must be remotely mounted. Electrical panel can still be remotely mounted in other exhaust configurations if desired. Optional 5' extension cable EXTNCE5 accessory is available to connect remotely placed electrical panel to downdraft. Refer to installation manual.

NOTE: Some applications may require deeper cabinets. Side and rear exhaust require at least 18" of clearance to fit the blower and/or ductwork. Refer to installation manual.

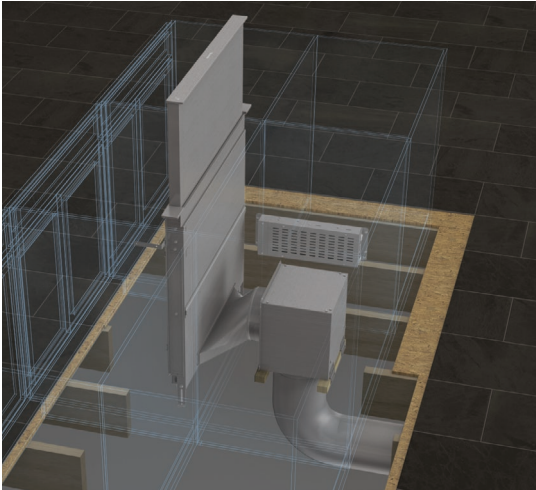
UCVM30XS

30-INCH DOWNDRAFT VENTILATION

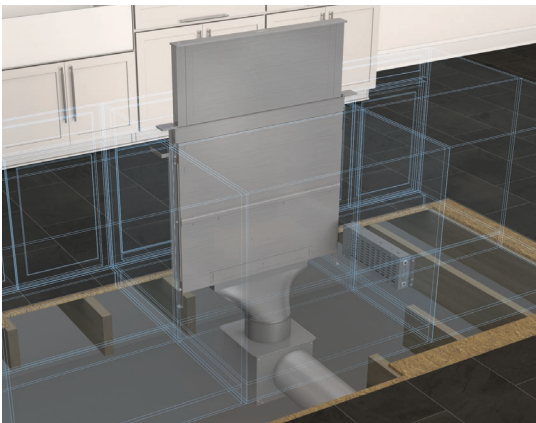
MASTERPIECE® COLLECTION



FLEXIBLE BLOWER INSTALLATION – REAR OR DOWNWARD EXHAUST EXAMPLE



Rear Exhaust

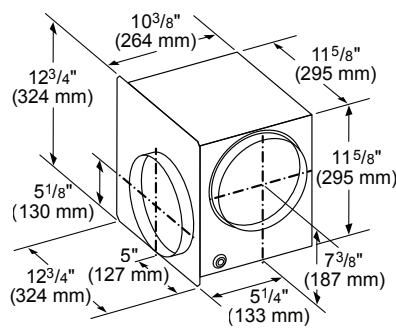


Downward Exhaust

APPLICATION

- Rear or downward exhaust options to preserve precious kitchen storage space or if ducting is more convenient for these configurations*
- Requires at least 18" of clearance to fit the blower and transition
- Blower must be accessible for maintenance
- Elbow and ductwork are not included

REQUIRED BLOWER

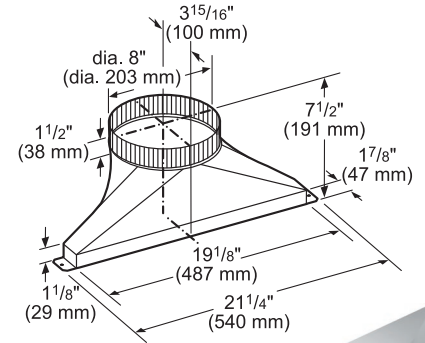


measurements in inches (mm)

VTD600P – 600 CFM

600 CFM flexible blower can be installed as an integrated or inline blower

REQUIRED ACCESSORY



measurements in inches (mm)

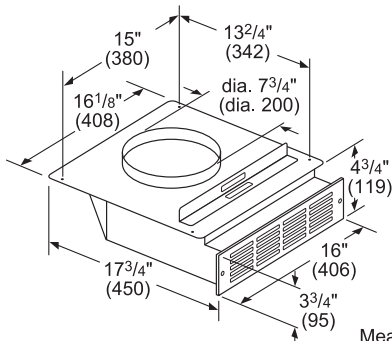
CVTSIDES

8" round transition allows for rear or downward venting. Use with VTD600P blower as an inline installation, and ducting with 8" round duct connections.

*For only front downward ducting applications, electrical panel must be remotely mounted. Electrical panel can still be remotely mounted in other exhaust configurations if desired. Optional 5' extension cable EXTNCES5 accessory is available to connect remotely placed electrical panel to downdraft. Refer to installation manual.

NOTE: Some applications may require deeper cabinets. Side and rear exhaust require at least 18" of clearance to fit the blower and/or ductwork. Refer to installation manual.

OPTIONAL ACCESSORIES



Measurements in inches and (mm)



RECIRCULATION KIT UCVRECIRC

Includes 1 charcoal filter and 1 metal grill vent plate (blower sold separately). Use with induction/electric cooktops only.



REPLACEMENT CHARCOAL FILTER HDDFILTUC

Includes 1 replacement charcoal filter for UCVRECIRC recirculation kit



EXTNCES5

This cable extends 5 ft. to move the electrical panel out of the way to offer full installation flexibility in any ducting scenario while installing the downdraft. Ability to connect two cables together to make a 10 ft. cable.



DOWNDRAFT GAS COOKTOP SEAL TRIM KIT UCV30ST

Includes trim, seal, metal grill, and fasteners. Required for installations with 30" gas cooktops.

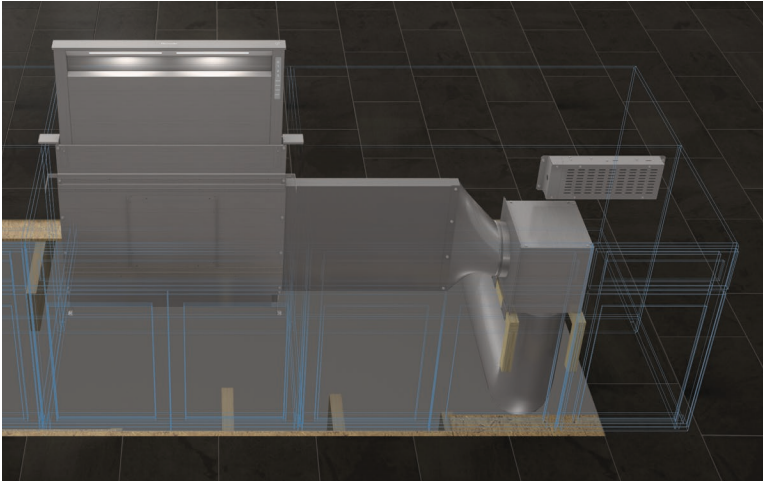
UCVM30XS

30-INCH DOWNDRAFT VENTILATION

MASTERPIECE® COLLECTION



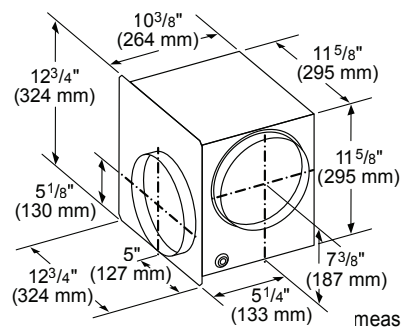
FLEXIBLE BLOWER INSTALLATION – SIDE EXHAUST WITH SLIM 2' RECTANGULAR DUCT EXAMPLE



APPLICATION

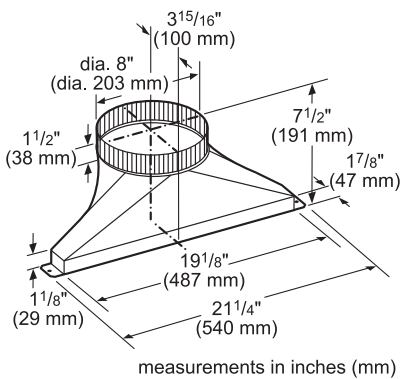
- Side exhaust option to preserve precious kitchen storage space or if ducting is more convenient for this configuration*
- A slim 2' rectangular duct is available to place flexible blower in areas such as unused corner in island or peninsula applications
- Blower must be accessible for maintenance
- Elbow and ductwork are not included

REQUIRED BLOWER



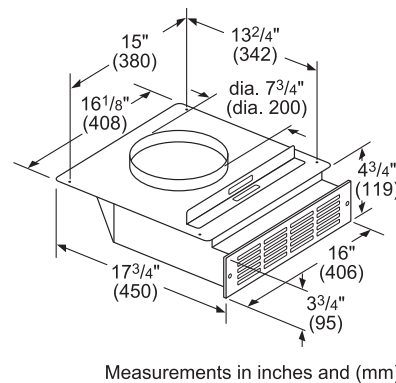
VTD600P – 600 CFM
600 CFM flexible blower can be installed as an integrated or inline blower

REQUIRED ACCESSORIES

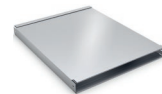
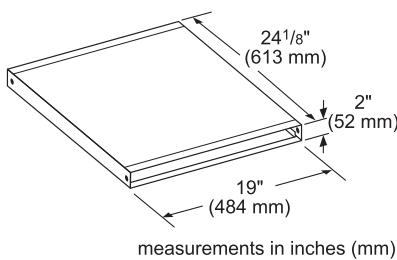


CVTSIDE8
8" round transition to connect CVDUCT2 to VTD600P. Use with VTD600P blower as an inline installation, and ducting with 8" round duct connections.

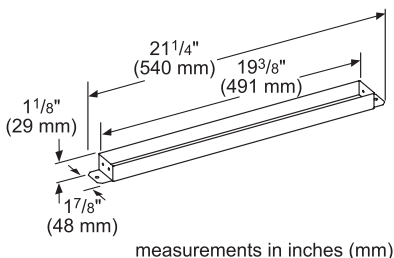
OPTIONAL ACCESSORIES



RECIRCULATION KIT UCRECIRC
Includes 1 charcoal filter and 1 metal grill vent plate (blower sold separately). Use with induction/electric cooktops only



CVDUCT2
Rectangular 2 ft. long x 1 7/8 in deep x 19 in wide duct. CVDUCT2 transition required to directly connect CVDUCT2 to sides or rear of downdraft housing. Can be used as an extension to exhaust through a cabinet or wall, and can be cut to modify length. For use with installation of inline or remote blower applications with CVTSIDE6, CVTSIDE8, and CVTSIDE10.



CVTRECT2
Transition required to connect CVDUCT2 rectangular duct to downdraft housing at left, right, or rear



REPLACEMENT CHARCOAL FILTER HDDFILTRC

Includes 1 replacement charcoal filter for UCVCIRC recirculation kit



DOWNDRAFT GAS COOKTOP SEAL TRIM KIT UCV30ST

Includes trim, seal, metal grill, and fasteners. Required for installations with 30" gas cooktops.



EXTNCES

This cable extends 5 ft. to move the electrical panel out of the way to offer full installation flexibility in any ducting scenario while installing the downdraft. Ability to connect two cables together to make a 10 ft. cable.

*For only front downward ducting applications, electrical panel must be remotely mounted. Electrical panel can still be remotely mounted in other exhaust configurations if desired. Optional 5' extension cable EXTNCES accessory is available to connect remotely placed electrical panel to downdraft. Refer to installation manual.

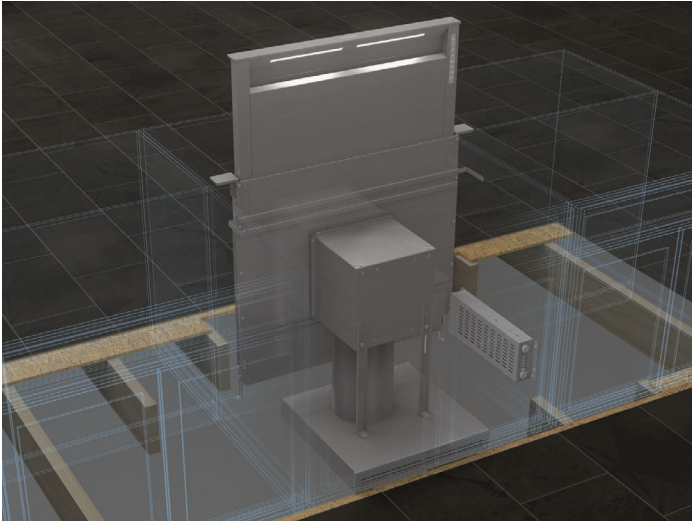
UCVM30XS

30-INCH DOWNDRAFT VENTILATION

MASTERPIECE® COLLECTION

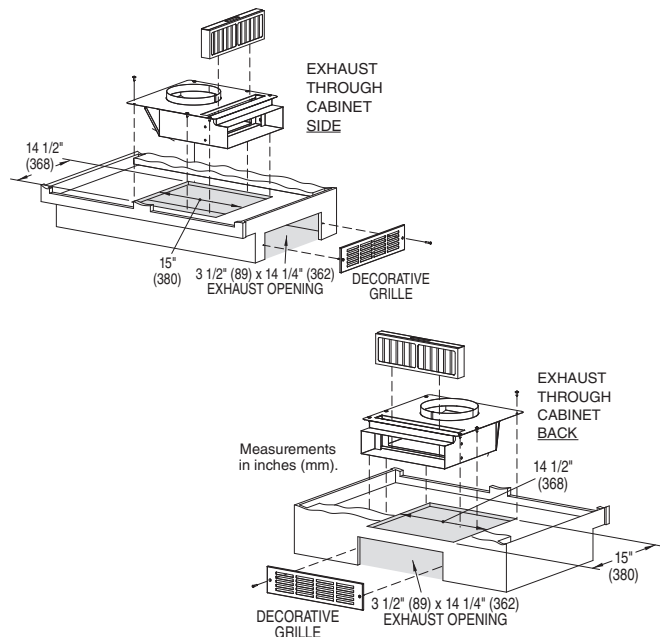


FLEXIBLE BLOWER INSTALLATION – RECIRCULATION EXAMPLE

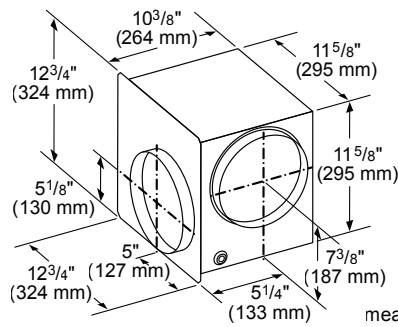


APPLICATION

- Allows for non-ducted downdraft installation by eliminating the need to exhaust to the exterior of the home*
- Recirculation module and metal grill vent plate placement can be rotated for flexible exhaust placement
- Elbow and ductwork are not included
- Use with induction/electric cooktops only

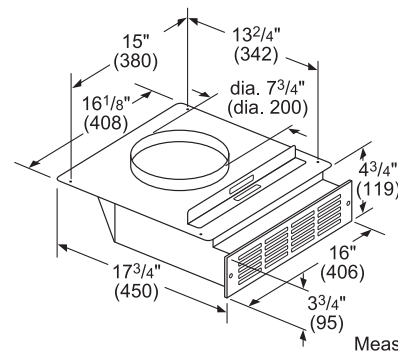


REQUIRED BLOWER



VTD600P – 600 CFM
600 CFM flexible blower can be installed as an integrated or inline blower

REQUIRED ACCESSORIES



RECIRCULATION KIT UCVRECIRC
Includes 1 charcoal filter and 1 metal grill vent plate (blower sold separately). Use with induction/electric cooktops only

OPTIONAL ACCESSORIES



REPLACEMENT CHARCOAL FILTER HDDFILTUC

Includes 1 replacement charcoal filter for UCVRECIRC recirculation kit



DOWNDRAFT GAS COOKTOP SEAL TRIM KIT UCV30ST

Includes trim, seal, metal grill, and fasteners. Required for installations with 30\"/>



EXTNCE5

This cable extends 5 ft. to move the electrical panel out of the way to offer full installation flexibility in any ducting scenario while installing the downdraft. Ability to connect two cables together to make a 10 ft. cable.

*For front downward ducting applications, electrical panel must be remotely mounted. Optional 5' extension cable EXTNCE5 accessory is available to connect remotely placed electrical panel to downdraft. Refer to installation manual.

These warranties give you specific legal rights and you may have other rights that vary from state to state. Limited warranty from date of delivery. For complete warranty details, refer to your Use & Care manual, or ask your dealer.

Specifications are for planning purposes only. Refer to installation instructions and consult your countertop supplier prior to making counter opening. Consult with a heating and ventilation engineer for your specific ventilation requirements. For the most detailed information, refer to installation instructions accompanying product or write to Thermador indicating the model number. Specifications are correct at time of printing. Thermador reserves the right to change product specifications or design without notice. Some models are certified for use in Canada. Thermador is not responsible for products that are transported from the U.S. for use in Canada.