



ICE MACHINE

SAFETY INFORMATION3

USING THE ICE MACHINE

Packaging6

Controls6

Features8

Starting the Ice Machine8

INSTALLATION INSTRUCTIONS

Grounding the Ice Machine.....9

Before You Begin.....9

Location and Preparation.....9

Advance Planning 11

Dimensions12

Door Swing13

Door Panel.....15

Handle Reversing Instructions.....18

Plumbing18

Toe Kick Location19

Drain Pump Kit UPK4 Accessory
Installation 20

CARE AND CLEANING..... 24

TROUBLESHOOTING TIPS.....27

LIMITED WARRANTY28

ACCESSORIES 29

CONSUMER SUPPORT 30

**OWNER'S MANUAL
AND INSTALLATION
INSTRUCTIONS**

UCC15NP

**ENGLISH/FRANÇAIS/
ESPAÑOL**

Write the model and serial numbers here:

Model # _____

Serial # _____

Find these numbers on a label on the top inner case liner of the unit toward the front.

THANK YOU FOR MAKING GE APPLIANCES A PART OF YOUR HOME.

Whether you grew up with GE Appliances, or this is your first, we're happy to have you in the family.

We take pride in the craftsmanship, innovation and design that goes into every GE Appliances product, and we think you will too. Among other things, registration of your appliance ensures that we can deliver important product information and warranty details when you need them.

Register your GE appliance now online. Helpful websites and phone numbers are available in the Consumer Support section of this Owner's Manual. You may also mail in the pre-printed registration card included in the packing material.



GE APPLIANCES

IMPORTANT SAFETY INFORMATION

READ ALL INSTRUCTIONS BEFORE USING THE APPLIANCE

⚠ WARNING To reduce the risk of fire, explosion, electric shock, or injury when using your ice machine, follow these basic safety precautions:

- This Ice machine must be properly installed and located in accordance with the Installation Instructions before it is used.
- Unplug the Ice machine before making repairs, replacing a light bulb, or cleaning.

NOTE: Power to the Ice machine cannot be disconnected by any setting on the control panel.

NOTE: Repairs must be performed by a qualified Service Professional.
- Replace all parts and panels before operating.
- Do not use an extension cord.
- Do not store or use gasoline or other flammable vapors and liquids in the vicinity of this or any other appliance.
- Do not store explosive substances such as aerosol cans with a flammable propellant in this appliance.
- To prevent suffocation and entrapment hazards to children, remove the Ice machine door from any Ice machine before disposing of it or discontinuing its use.
- To avoid serious injury or death, children should not stand on, or play in or with the appliance.
- Children and persons with reduced physical, sensory or mental capabilities or lack of experience and knowledge can use this appliance only if they are supervised or have been given instructions on safe use and understand the hazards involved.
- This appliance is intended to be used in household and similar applications such as: staff kitchen areas in shops, offices and other working environments; farm houses; by clients in hotels, motels, bed & breakfast and other residential environments; catering and similar non-retail applications.
- Connect to potable water supply only. A cold water supply is required for automatic icemaker operation. The water pressure must be between 30 and 120 psi (207-827 kilopascals).
- Do not apply harsh cleaners to the Ice machine. Certain cleaners will damage plastic which may cause parts such as the door or door handles to detach unexpectedly. See the Care and Cleaning section for detailed instructions.

⚠ CAUTION To reduce the risk of injury when using your Ice machine, follow these basic safety precautions.

- Keep fingers out of the “pinch point” areas; clearances between the doors and between the doors and cabinet are necessarily small. Be careful closing doors when children are in the area.
- Do not touch the cold surfaces in the ice compartment.
- Avoid contact with moving parts of the icemaker.

INSTALLATION

⚠ WARNING  **EXPLOSION HAZARD**

Keep flammable materials and vapors, such as gasoline, away from appliance. Failure to do so can result in fire, explosion, or death.

READ AND SAVE THESE INSTRUCTIONS

IMPORTANT SAFETY INFORMATION

READ ALL INSTRUCTIONS BEFORE USING THE APPLIANCE

⚠ WARNING FIRE OR EXPLOSION HAZARD Flammable Refrigerant

This appliance contains isobutane refrigerant, also known as R600a, a natural gas with high environmental compatibility. However, it is also combustible. Adhere to the warnings below to reduce the risk of injury or property damage.

1. When handling, installing and operating the appliance, care should be taken to avoid damage to the refrigerant tubing.
2. Service shall only be performed by authorized service personnel. Use only manufacturer-authorized service parts.
3. Dispose of Ice machine in accordance with Federal and Local Regulations. Flammable refrigerant and insulation material used require special disposal procedures. Contact your local authorities for the environmentally safe disposal of your Ice machine.
4. Keep ventilation openings in the appliance enclosures or in the built-in structure clear of obstruction.
5. Do not use an ice pick, metal or sharp edged instrument to remove any frost or ice in the ice maker compartment as it may puncture the liner and then the flammable refrigerant tubing behind it.
6. Do not use electrical appliances inside the food storage compartment of the appliance.
7. Do not use any electrical device for melting or thawing any ice or frost in your icemaker.

CONNECTING ELECTRICITY

⚠ WARNING ELECTRICAL SHOCK HAZARD

Plug into a grounded 3-prong outlet

Do not remove the ground prong

Do not use an adapter

Failure to follow these instructions can result in death, fire, or electrical shock.

Do not, under any circumstances, cut or remove the third (ground) prong from the power cord. For personal safety, this appliance must be properly grounded.

The power cord of this appliance is equipped with a 3-prong (grounding) plug which mates with a standard 3-prong (grounding) wall outlet to minimize the possibility of electric shock hazard from this appliance.

Have the wall outlet and circuit checked by a qualified electrician to make sure the outlet is properly grounded.

Where a standard 2-prong wall outlet is encountered, it is your personal responsibility and obligation to have it replaced with a properly grounded 3-prong wall outlet.

The ice maker should always be plugged into its own 120 volt, 60 Hz, 15 amp circuit. This provides the best

performance and also prevents overloading house wiring circuits which could cause a fire hazard from overheated wires.

Never unplug your ice maker by pulling on the power cord. Always grip plug firmly and pull straight out from the outlet.

Repair or replace immediately all power cords that have become frayed or otherwise damaged. Do not use a cord that shows cracks or abrasion damage along its length or at either end.

When moving the ice maker, be careful not to roll over or damage the power cord.

READ AND SAVE THESE INSTRUCTIONS

IMPORTANT SAFETY INFORMATION

READ ALL INSTRUCTIONS BEFORE USING THE APPLIANCE

PROPER DISPOSAL OF YOUR OLD APPLIANCE

⚠ WARNING SUFFOCATION AND CHILD ENTRAPMENT HAZARD

Remove the door from the appliance prior to disposal. Failure to do so can result in child entrapment which can lead to death or brain damage.

IMPORTANT: Child entrapment and suffocation are not problems of the past. Junked or abandoned appliances are still dangerous even if they will sit for “just a few days.” If you are getting rid of your old appliance, please follow the instructions below to help prevent accidents.

Before You Throw Away Your Old Appliance:

- Take off the doors.
- Leave the internal components in place so that children may not easily climb inside.

REFRIGERANT AND FOAM DISPOSAL:

Dispose of or recycle appliance in accordance with Federal and Local Regulations. Flammable insulation material used requires special disposal procedures. Contact your local authorities for the environmentally safe disposal or recycling of your appliance.

READ AND SAVE THESE INSTRUCTIONS

Packaging

Remove Packaging

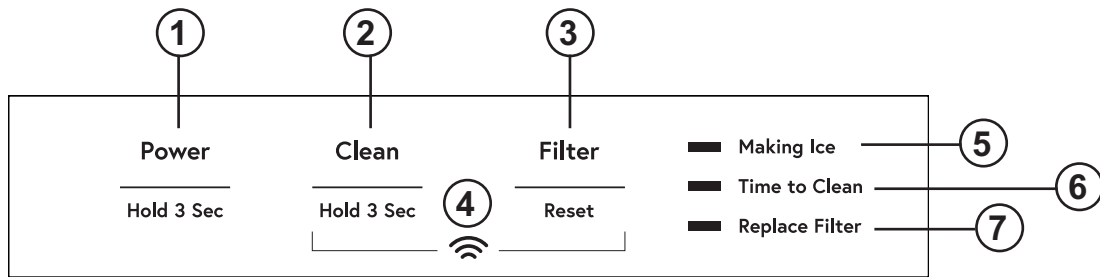
IMPORTANT: Do not remove any permanent instruction labels inside your ice machine or the Tech Sheet that is fastened behind the kickplate.

- Remove tape and any labels from your ice maker before using (except the model and serial number label).

To remove any remaining tape or glue, rub the area briskly with your thumb. Tape or glue residue can also be easily removed by rubbing a small amount of liquid dish soap over the adhesive with your fingers. Wipe with warm water and dry.

- Do not use sharp instruments, rubbing alcohol, flammable fluids or abrasive cleaners to remove tape or glue. These products can damage the surface of your ice maker. For more information, see Important Safety Instructions.

Controls



- POWER** - Press and hold for 3 seconds to turn icemaking on. Making Ice Indicator will turn on. Press and hold for 3 seconds to turn icemaking off. (If icemaker is making ice when turned off, the Making Ice indicator will flash until the current icemaking cycle is complete prior to turning off. The icemaker will also drain any water in the tank every time it is turned off.) If during icemaking, you need to turn off your product immediately, press and hold the "Power" button for 3 seconds again.
- CLEAN** - Press and hold for 3 seconds to start the cleaning process. (See Care and Cleaning)
- FILTER RESET** - Press after changing filter to reset filter timer. (See GSWF Water Filter)
- WiFi** - Press and hold Clean and Filter buttons at the same time. WiFi symbol will start blinking. (See Wifi section)
- MAKING ICE** - Indicator will be on when unit is with in icemaking mode.
- TIME TO CLEAN** - Indicator will turn on after 5 months indicating it is time to order cleaner. Indicator will flash after 6 months indicating it is time to clean the machine. (See Care and Cleaning)
- Replace Filter** - Indicator will illuminate when it is time to order a filter. Indicator will flash when it is time to replace the filter. (See GSWF Water Filter)

Sabbath Mode

The Sabbath Mode was designed for use on the Jewish Sabbath and Holidays. The icemaker will not make ice during the Sabbath mode. If Sabbath mode is entered while making ice, icemaker will complete current cycle before turning off (less than 30 minutes). Icemaking will start again at the end of the Sabbath mode. If the icemaker is equipped with a drain pump, it will continue to work as normal.

The icemaker will exit Sabbath mode automatically after 96 hours.

ON/OFF - To activate the Sabbath Mode, Press and hold "Power" and "Filter Reset" for 3 seconds. To exit Sabbath Mode, Press and Hold "Power" and "Filter Reset" for 3 seconds. The "Making Ice", "Time to Clean", and "Replace Filter" lights will all turn on to indicate Sabbath mode is active"

Door Alarm

An alert will sound when the door has been left open for 2 minutes. The alert stops when door is closed. Snooze the alert by pressing any button.

Disable the door alarm by pressing "Power", "Clean" and "Filter Reset" buttons at the same time.

Controls


Appliance Communication

WiFi (for customers in the United States, its territories, and Canada)

- Download the SmartHQ app.
 - Available for iPhone from the Apple Store or from link at GEAppliances.com.
 - Available for Android from Google Play or from link at GEAppliances.com.
- Select Create Account on app.
 - Enter information, and select Register. An e-mail will be generated.
 - When you receive the e-mail, select Verify Account.
 - Sign in with your credentials and select Authorize to allow the app to communicate with your icemaker.
- Find the "Connected Appliance Information" label by opening the Water Filter Access Door at the bottom of the Ice Maker. Identify the label to select the right connecting method.

Icemakers Models with Password Label:




- Set up the app.
 - Press the  at the top of the screen.
 - Choose GE Appliances>Refrigeration>Under Counter Icemaker>
 - The info button will show a picture of the touch display on the appliance. Select OK.
 - Select Next.
- Press WiFi Connect on the control. Press and hold Clean and Filter buttons at the same time The WiFi symbol will start flashing on the display.
 - Select Next in the app.
- Find the password on the "Connected Appliance Information" Label.

- Enter the password into the app.
- Connect to the Icemaker's WiFi Module in the phone's WiFi settings, then return back to the SmartHQ App and select Next.
 - The WiFi will have the format "GE_MODULE_XXXX". The module number can also be found on the label.
 - Connect to the home WiFi network and type in the home WiFi password.

Icemakers Models with UPD ID Label:



- Press WiFi Connect on the control. Press and hold Clean and Filter buttons at the same time. The WiFi symbol will start flashing on the display.
- Set up the app.
 - Press the  at the top of the screen.
 - Icemaker will scan nearby automatically. If the mobile phone Bluetooth off, click "GO TO SETTING" to turn it on firstly. Press Scan in app after that again.
 - Select "Under Counter Ice Maker" for connecting.
 - App will search for available WiFi Networks automatically.
 - Select the home WiFi network and type in the home WiFi password.
- If all check marks appear and the user gets a screen that says the device is connected, the device has been successfully connected.
- If the app fails to connect, the app will display the "Oops! Something Went Wrong" screen. The user will be given possible reasons why connection failed and the option to retry.

Regulatory Information

FCC/IC Compliance Statement:

This device complies with Part 15 of the FCC Rules. Operation is subject to the following two conditions:

1. This device may not cause harmful interference, and
2. This device must accept any interference received, including interference that may cause undesired operation.

This equipment has been tested and found to comply with the limits for a Class B digital device, pursuant to Part 15 of the FCC Rules. These limits are designed to provide reasonable protection against harmful interference in a residential installation. This equipment generates, uses and can radiate radio frequency energy and, if not installed and used in accordance with the instructions, may cause harmful interference to radio communications.

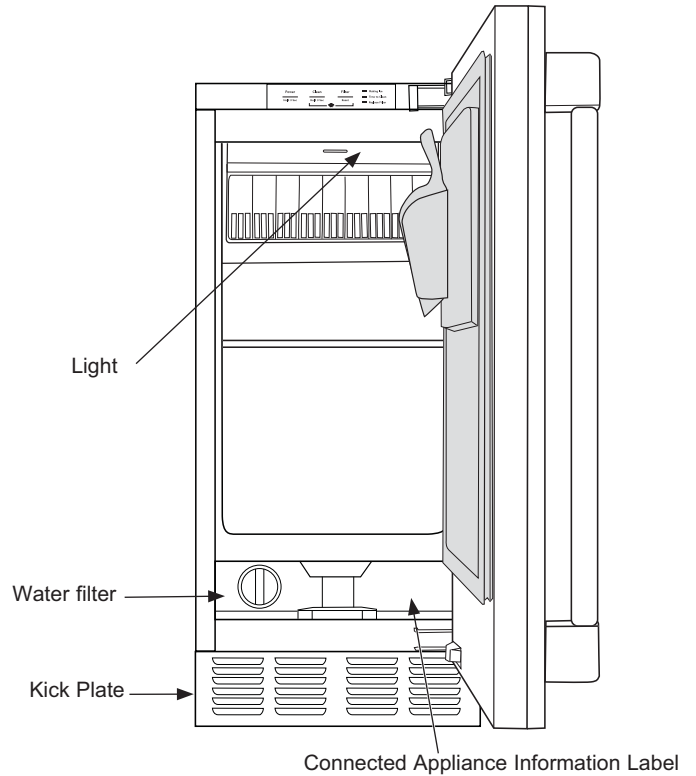
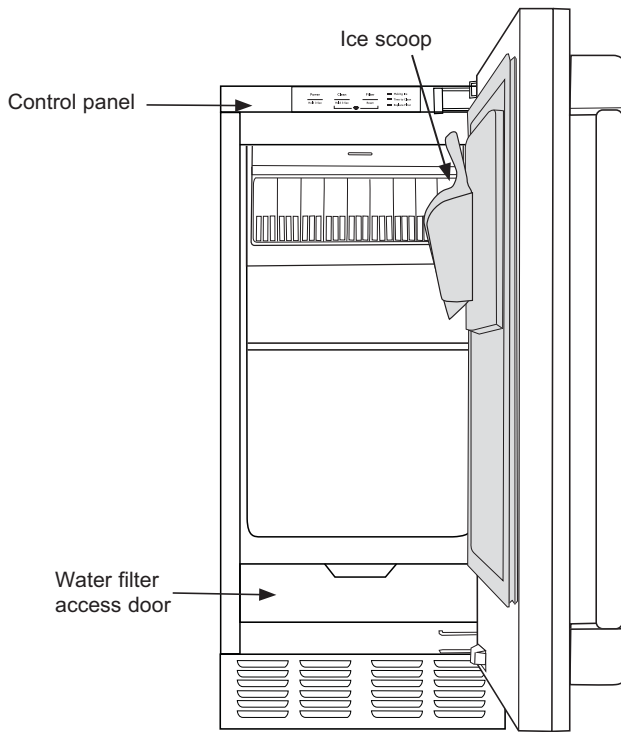
However, there is no guarantee that interference will

not occur in a particular installation. If this equipment does cause harmful interference to radio or television reception, which can be determined by turning the equipment off and on, the user is encouraged to try to correct the interference by one or more of the following measures:

- Reorient or relocate the receiving antenna.
- Increase the separation between the equipment and receiver.
- Connect the equipment into an outlet on a circuit different from that to which the receiver is connected.
- Consult the dealer or an experienced radio/television technician for help.

Labelling: Changes or modifications to this unit not expressly approved by the manufacturer could void the user's authority to operate the equipment.

Features

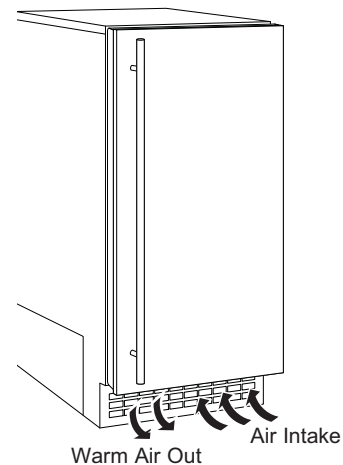


Starting the ice machine

This machine takes in room temperature air at the lower right front and forces warm air out the lower left front. Restricting the airflow or operating the machine in a hot or cold environment will adversely affect the ability of the ice machine to make ice.

When the door is opened, the control panel, ice making area and ice storage bin are visible. The scoop is located in a holder on the inside of the door.

This is a gravity drain model that must have a building drain connection below the level of the drain tube at the back of the cabinet. A pump can be installed, which can force drain water up a maximum of 8 feet, allowing it to be located where a gravity drain isn't available. See **Accessories** on page 27 for more information on the drain pump.



Initial Start Up

1. Turn on the water supply.
2. Switch on the electrical power.
3. Press and hold "Power" for 3 seconds to start the machine. The "Making Ice" light will turn on.
4. Water will begin to flow into the unit. When the reservoir is full, water will start to drain from the machine. After a few minutes the compressor, water pump and fan motor will begin to operate as the first ice making cycle begins.

In approximately 30 minutes, ice will fall into the ice storage bin. The machine makes 24 cubes at a time. It is normal for the first batches of ice to melt as the bin cools. It will take 8-10 hours of continuous run time to fill the ice bin. When the ice bin is full, the ice machine will shut off. It will automatically restart when the ice level falls, either from use or normal meltage.

Discard the first bin full of ice.

Installation Instructions

ICE MACHINE

Questions? Call 800.GE.CARES (800.432.2737) or visit our Website at: GEAppliances.com
 In Canada, call 1.800.561.3344 or visit our Website at: GEAppliances.ca

GROUNDING THE ICE MACHINE

⚠ WARNING  **Electrical Shock Hazard.**

Failure to follow these instructions can result in death, fire, or electrical shock.

The power cord of this appliance is equipped with a 3-prong (grounding) plug which mates with a standard 3-prong (grounding) wall outlet to minimize the possibility of electric shock hazard from this appliance.

Have the wall outlet and circuit checked by a qualified electrician to make sure the outlet is properly grounded.

Where a standard 2-prong wall outlet is encountered, it is your personal responsibility and obligation to have it replaced with a properly grounded 3-prong wall outlet.

DO NOT, UNDER ANY CIRCUMSTANCES, CUT OR REMOVE THE THIRD (GROUND) PRONG FROM THE POWER CORD.

DO NOT USE AN ADAPTER PLUG TO CONNECT THE APPLIANCE TO A 2-PRONG OUTLET.

DO NOT USE AN EXTENSION CORD WITH THIS APPLIANCE.

BEFORE YOU BEGIN

Read these instructions completely and carefully.

- **IMPORTANT** — Observe all governing codes and ordinances. Save these instructions for local inspector's use.
- **Note to Installer** – Be sure to leave these instructions with the Consumer.
- **Note to Consumer** – Keep these instructions for future reference.
- **Skill level** – Installation of this appliance requires basic mechanical skills.
- **Completion time** – Installation can vary
 Water Line Installation 30 minutes
- Proper installation is the responsibility of the installer.
- Product failure due to improper installation is not covered under the Warranty.

ICE MACHINE LOCATION AND PREPARATION

This ice machine is designed to be used indoors, in a controlled environment.

It is made up of two major systems: the ice making system and the ice storage system. The ice making system makes ice when the ice level becomes low and stops when it is full.

The ice storage system is an insulated chest with a drain at the bottom for melting ice. It is not refrigerated, insuring that the bin contains fresh ice.

IMPORTANT: Never keep anything in the ice storage bin that is not ice. Objects like wine or beer bottles are not only unsanitary, but the labels can slip off and plug up the drain.

IMPORTANT: Never allow the machine to operate without regular cleaning. The machine will last longer if it is kept clean. Regular cleaning should happen twice per year. Some water conditions will dictate even more frequent cleaning of the ice making section, and some carpets or pets will dictate more frequent cleaning of the condenser.

Specifications

The ice machine will operate adequately within the limits, but functions best in temperatures between 60°F and 80°F.

- Minimum air temperature: 55°F (12.8°C)
- Maximum air temperature: 100°F (38°C)
- Minimum water temperature: 40°F (4.5°C)
- Maximum water temperature: 90°F (32°C)
- Minimum water pressure: 30 psi (2.07 bar)
- Maximum water pressure: 120 psi (8.27 bar)

Electrical voltage limits:

See the Rating Plate inside the ice machine.

Installation Instructions

ICE MACHINE LOCATION AND PREPARATION (Cont.)

Utility and Operational Requirements

- This ice machine must be connected to a potable water supply.

All water, including potable water supplied by municipalities, contains some impurities or minerals. Water absorbs impurities from the air as rain and/or as it flows through the ground. Some of the impurities are solid particles. These are known as suspended solids, and a fine particle filter will remove them. Other impurities are chemically bonded to the water molecules and cannot be filtered out. These are called dissolved solids.

Ice made by this machine will have a lower mineral content than the water it was made from. This is due to the method of making ice. Purer water will freeze first in the ice making molds. The reason for this is that anything dissolved in water lowers the water's freezing temperature. This concentrates most of the impurities of the ice machine water reservoir where they may form hard deposits known as scale. The machine dilutes the concentration of minerals by over-filling the reservoir during the harvest cycle (with the excess water flowing down the drain). Water use varies with air and water temperatures.

Some impurities will inevitably remain, and will stick to the parts in the machine. This will cause malformed ice cubes. Eventually, **built up mineral scale can shorten machine life.**

To keep the machine operating properly, these impurities or minerals will have to be regularly dissolved by an acid cleaner. Directions for this may be found in the Care and Cleaning section.

This machine can be supplied with Reverse Osmosis water, but the water conductivity must be no less than 10 microSiemens/cm. A reverse osmosis system should include post treatment or blending to satisfy the R.O. water's potential aggressiveness.

Deionized water is not recommended and could damage the machine.

Because water softeners exchange one mineral for another, softened water may not improve water conditions when used with ice machines.

Minimum recommended clearances: 0" on sides, 1/8" on top, 1 1/4" in back.

- Minimum water pressure: 30 psi
- Maximum water pressure: 120 psi
- Minimum water temperature: 40°F
- Maximum water temperature: 90°F.

This ice machine is designed to operate in a wide range of air temperatures with a minimum air temperature of 55°F and a maximum air temperature of 100°F.

Although the machine will function within the listed ranges, it works best at water temperatures between 50°F and 60°F and air temperatures between 60°F and 80°F.

Operating a unit outside of the limits can cause problems that are not covered by the warranty and, if extreme, cause damage to the unit.

This machine can be built into a cabinet. It is an air cooled refrigeration system. Air flows in and out of it through the grill at the bottom front. The grille must not be blocked by any covering door, or other obstruction.

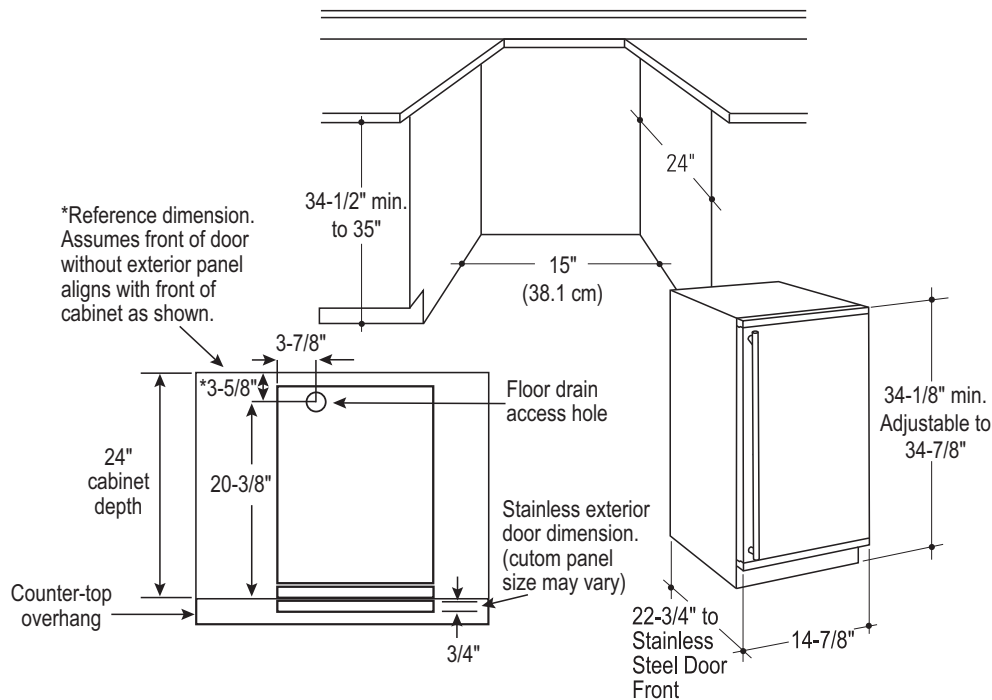
Installation Instructions

ADVANCE PLANNING

⚠ CAUTION

Due to excessive weight, TWO PEOPLE ARE REQUIRED TO MOVE AND INSTALL THIS ice maker. Failure to do so can result in back or other injury.

Cutout & Product Dimensions



Installation Notes

A drain pump is available for this ice machine. The drain pump kit number is UPK4 and is available at GEApplianceparts.com or by calling 877-959-8688. In Canada visit GEAppliances.ca or call 800.561.3344.

Built-In Installation: If a finished floor is to be installed in the area after the ice machine has been built in, shims the expected thickness of the floor should be installed under the unit to keep the machine level with the planned floor level.

NOTE: The water connection is at the back and adds a few inches to the cabinet depth.

Installation on a slab: You will need to install a drain pump to the appliance and pump the water to the point of drainage. See **Accessories**. Pumps will pump up to 8 feet high.

Installation over a crawl space or basement: Either a gravity drain or a pump may be used. For pump, see

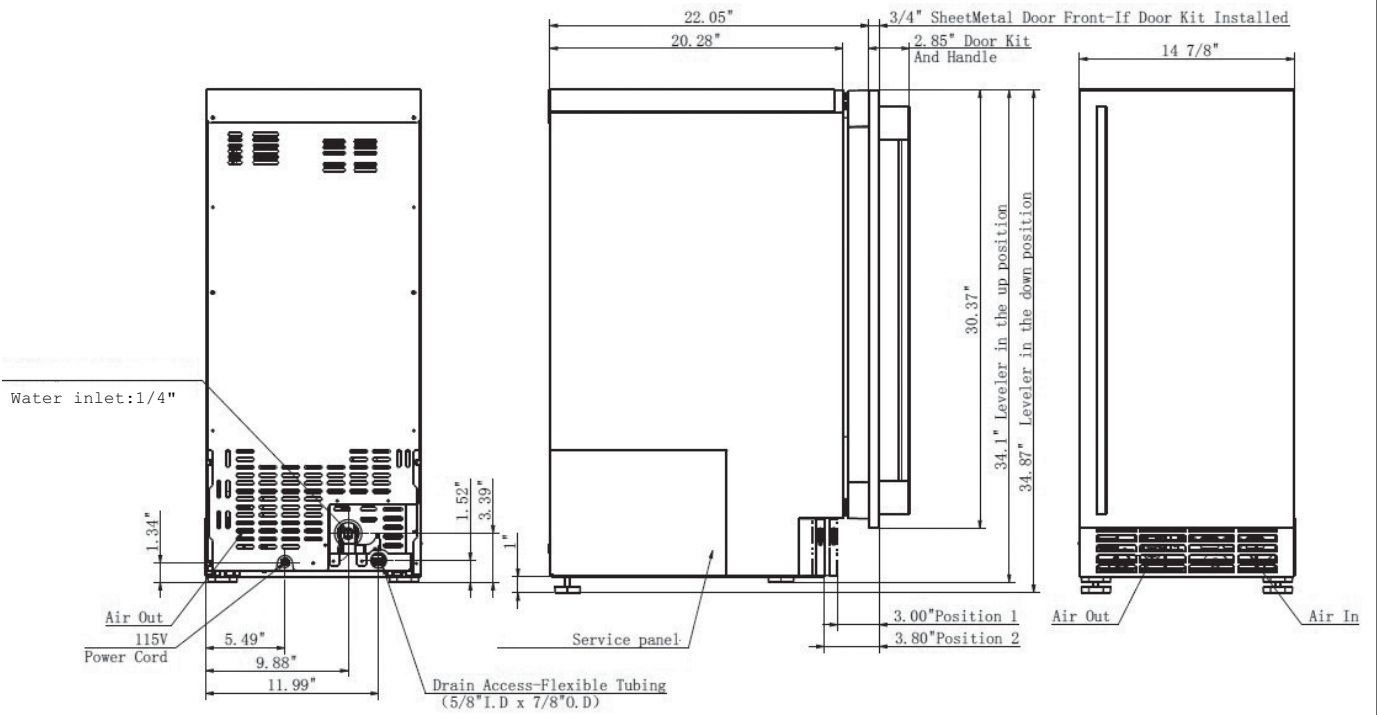
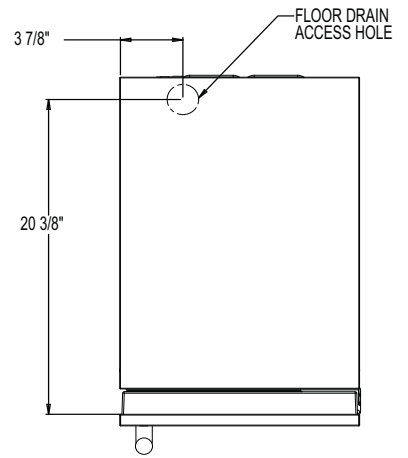
Accessories. If there is not enough room behind the machine for a drain/waste receptacle, the drain will have to be below the floor.

NOTE: When installed in a corner, the door swing may be limited due to handle contact with the wall or cabinet face.

A water supply is required. Water supplies vary in the degree of mineral content. High mineral content water will require more frequent maintenance. Water filtration may improve the taste of the ice as well as cut down on some of the mineral build up.

Installation Instructions

DIMENSIONS

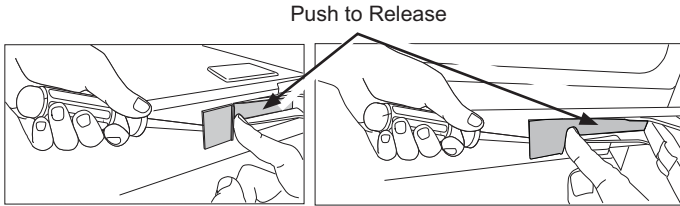


Installation Instructions

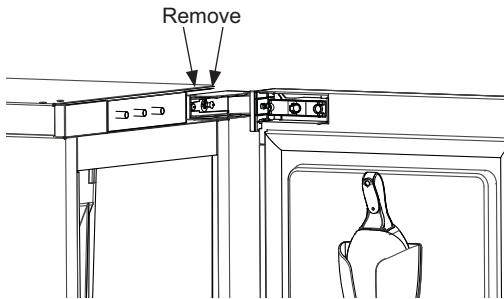
DOOR SWING

Moving the hinges allows the door to open from either the left or the right side. Change the swing **BEFORE** attaching the door panel.

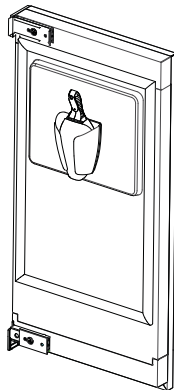
1. Remove the top and bottom hinge screw covers to gain access to the screws.



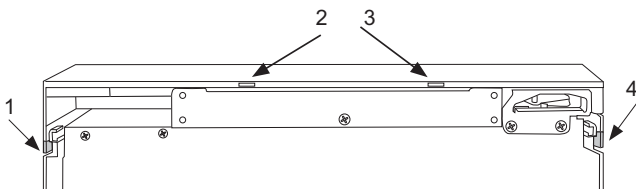
2. Remove the hinge screws (4 total for top and bottom hinge).



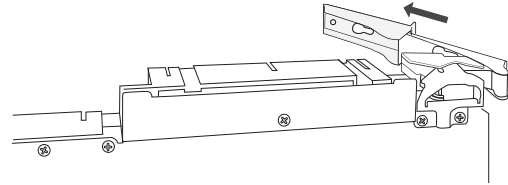
3. Remove the door.



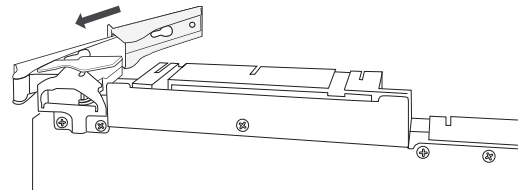
4. Remove the door gasket and ice scoop .
5. Use a slotted screwdriver to pry on the snaps on the lower decorative cover at the 4 location shown in the figure.



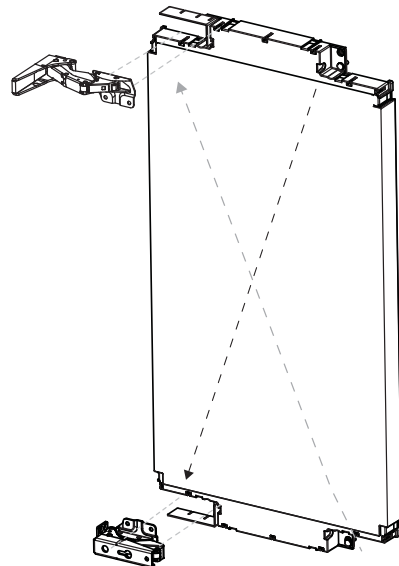
6. Remove the upper decorative cover in the same way.
7. Remove the top hinge and hinge cover. Remove the hinge cover from the hinge.



8. Remove the lower hinge and hinge cover. Remove the hinge cover from the hinge.
9. Slide the original top hinge cover on the original lower hinge and attach this assembly to the top, on the opposite side of the original location.



10. Slide the original lower hinge cover on the original top hinge and attach this assembly to the lower hinge location, on the opposite side for the original location.

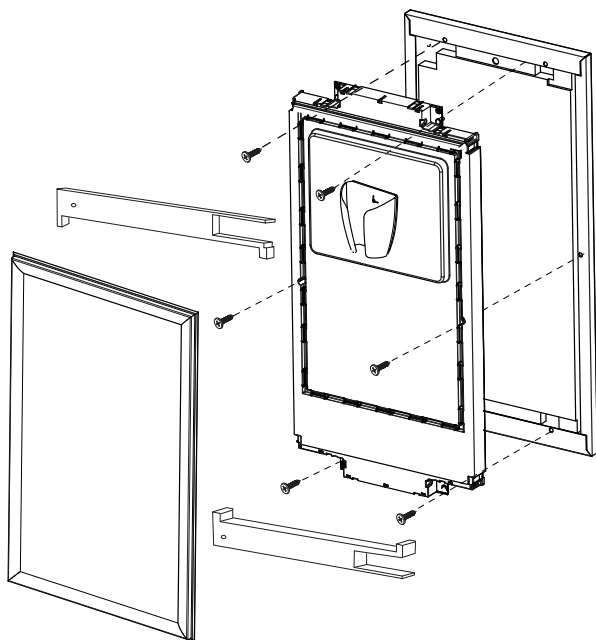


Steps 8-11

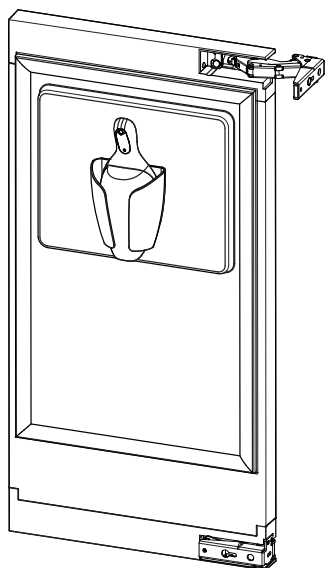
Installation Instructions

DOOR SWING (Cont.)

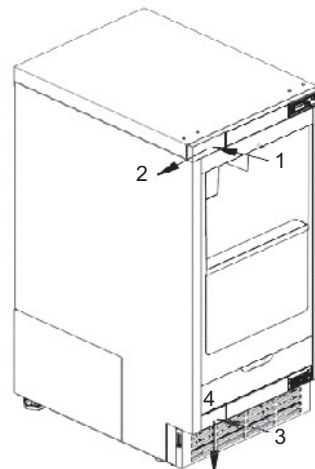
11. Remove any plastic protective covering from the stainless door panel
12. Using a Phillips screwdriver, install the six screws (supplied with door panel kit) as shown in the figure to attach the inner panel to the exterior panel. Make sure the handle is located on the desired side.



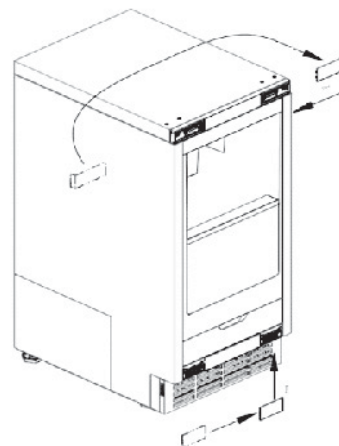
13. Turn the upper decorative cover 180 degrees and snap in the lower position. Turn the lower decorative cover 180 degrees and snap in the upper position
14. Replace the door gasket and ice scoop.



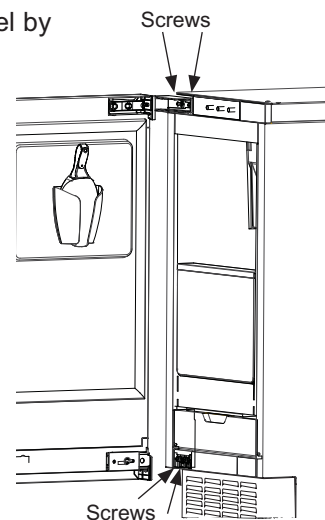
15. Remove the upper hinge plate by pushing in and sliding to the outside and lower hinge plate by firmly pushing in and down as shown in the figure.



16. Install the upper and lower hinge plates on the opposite side.



17. Replace the door panel by installing the top and bottom hinges with the 4 screws.



Installation Instructions

INSTALLING THE DOOR PANEL

The ice machine is supplied without a conventional door covering, allowing the attachment of a door panel or a custom panel.

NOTE: If the door swing is to be changed, it needs to be done **BEFORE** attaching the door panel.

Door Panel

Finished door panels with handles are available from GE Appliances for attachment to the ice machine. See **Accessories** on page 27.

A custom panel of wood or other material not exceeding 15 lbs can be used and must follow these guidelines:

width: 14 7/8"

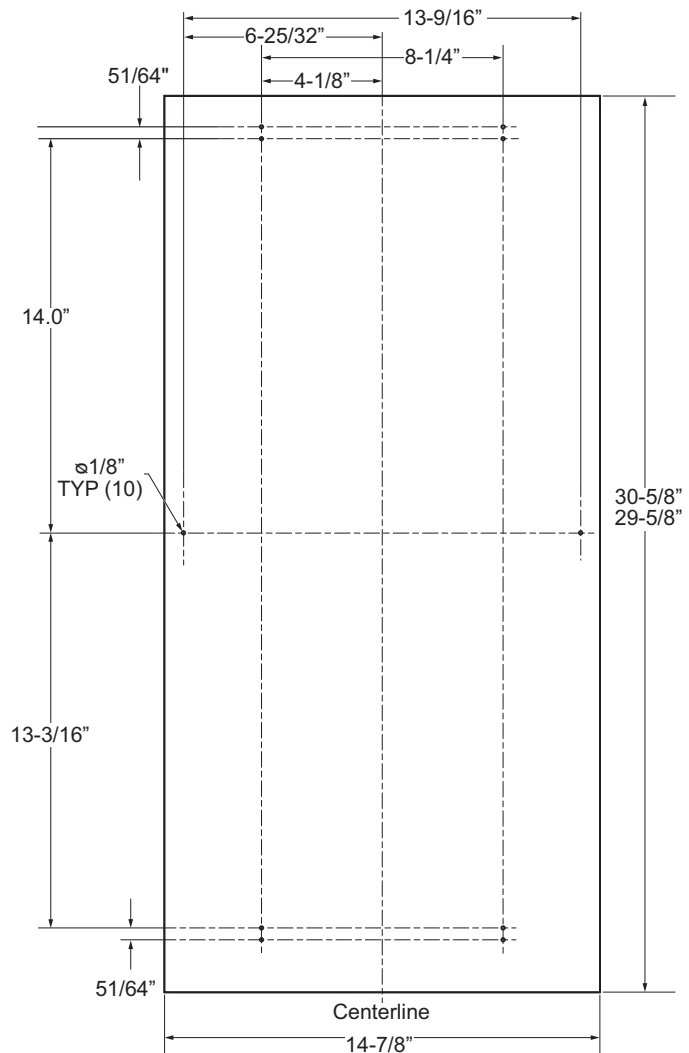
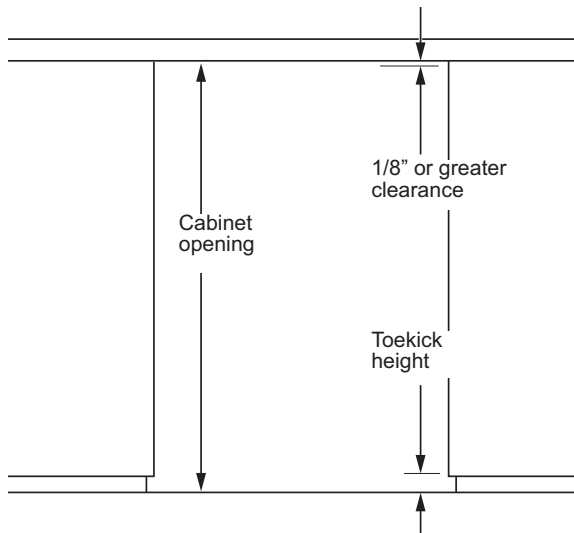
height: between 29 5/8" and 30 5/8"

thickness: 5/8" to 3/4"

For Custom Panel:

1. Place product in opening and level by adjusting leveling legs as needed.
2. Measure how much if any the custom panel needs to extend above the inner door panel to match any panels on either side. Note the clearance between the top of the panel and the countertop should be at least 1/8".
3. Remove the door by removing the 4 hinge screws.
4. Cut panel to the specified width and desired height.

5. Lay panel on a surface and align the door on top of the panel so that it located as measured in step 2. The sides of the panel should align with the sides of the door.
6. Mark locations of at least the 4 holes in the top and bottom. Remove the door and measure and mark any remaining holes per the diagram.
7. Drill pilot holes on the back of the panel at your markings. Use a drill stop to prevent drilling through the panel.



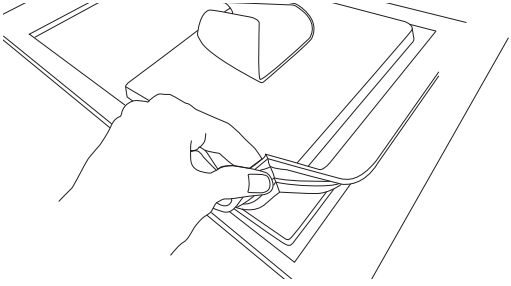
Installation Instructions

INSTALLING THE DOOR PANEL (Cont)

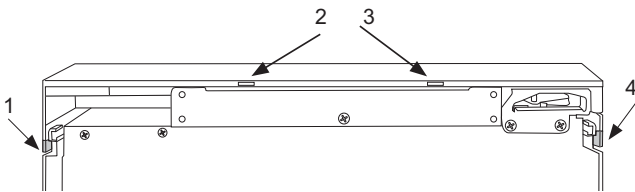
If the door swing is going to be changed please complete prior to installing the door panel. See page 13. Depending on the door kit being installed, the door handle may need to be flipped if the door swing is being changed. Please see instructions on page 18 on how to flip the door handle.

Attaching the Door Panel

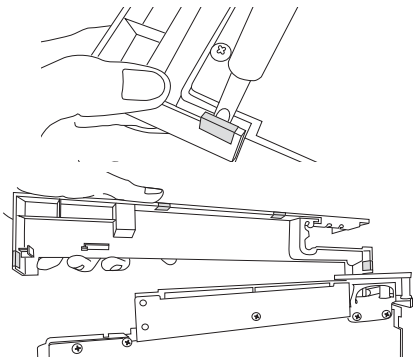
1. Remove the gasket from the inside of the door and retain for later use.
2. Identify the 4 pry tabs on the top and bottom decorative door trims.
3. Pry on each tab and pull down on the trim as shown until you can remove each of the trims.
4. Remove any plastic protective covering from the stainless door panel
5. Place the door panel onto the outside of the door and secure it with 6 machine screws. (Provided in Door Panel Kit)
6. Snap the upper and lower trims back on the inner panel.
7. Re-install the door gasket.



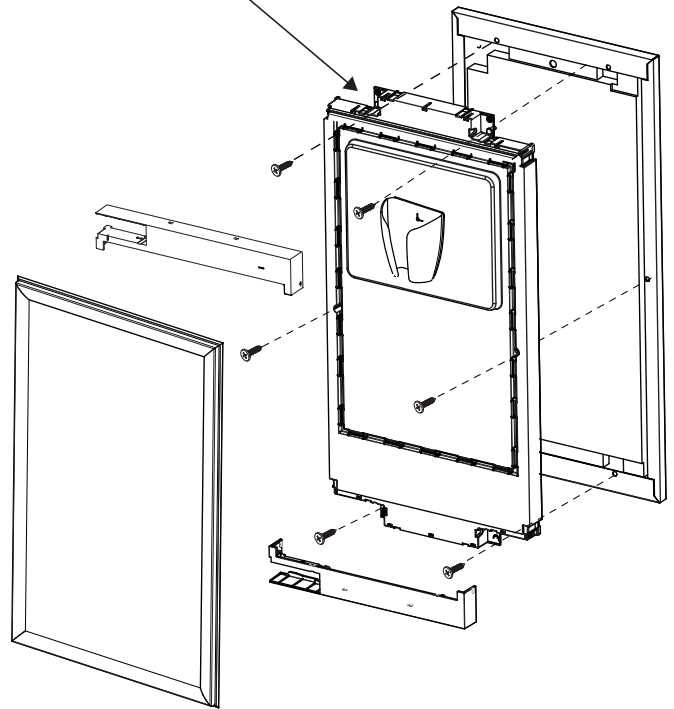
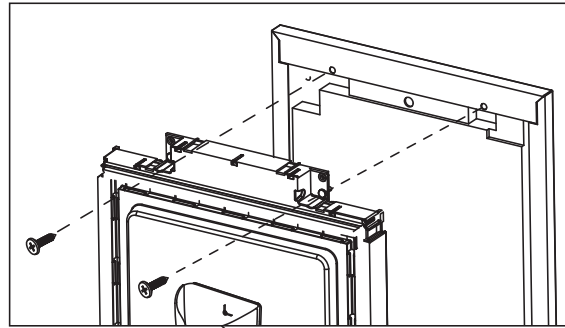
2. Identify the 4 pry tabs on the top and bottom decorative door trims.



3. Pry on each tab and pull down on the trim as shown until you can remove each of the trims.



4. Remove any plastic protective covering from the stainless door panel
5. Place the door panel onto the outside of the door and secure it with 6 machine screws. (Provided in Door Panel Kit)



Installation Instructions

INSTALLING THE DOOR PANEL (Cont)

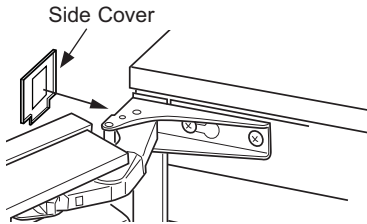
⚠ WARNING



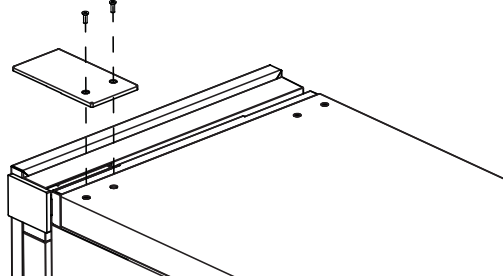
Door Hinge Pinch Point Hazard

Improper installation can lead to a finger pinch point hazard near the hinge when operating the door. For installations that are not under a counter, follow the installation instructions. A protective guard is provided for limiting access to the door hinge.

8. On free-standing locations, attach the side covers from the hardware packet over the hinge by peeling off the covering over the adhesive and placing it over the side of the hinge. **Note:** If the unit is being built-in, a screw can be used to screw into the cabinet instead on installing the side covers.



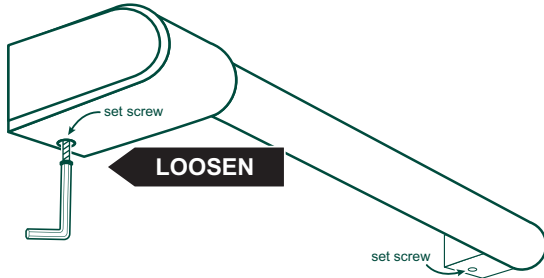
9. Also on free standing applications, attach the top hinge cover from hardware packet with the 2 screws provided.



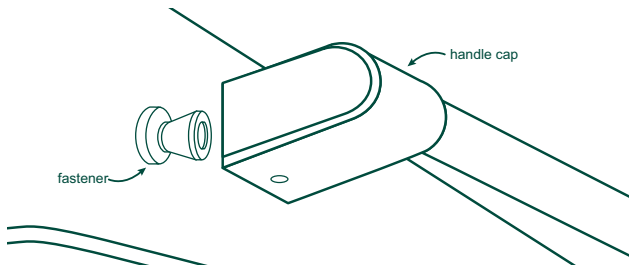
Installation Instructions

HANDLE REVERSING INSTRUCTIONS

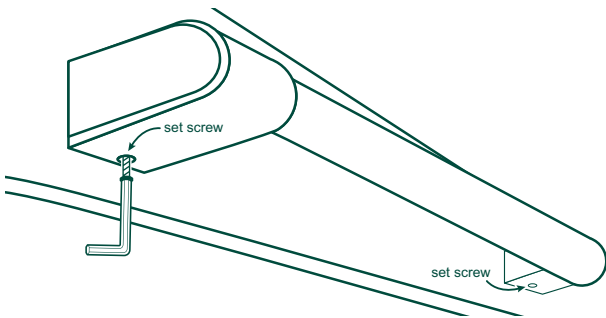
1. Remove the allen wrench from the panel installation screw kit envelope
2. Loosen the set screw using the allen wrench. Remove the handle and flip it around so the logo is facing the other way.



3. Place the handle caps over the fasteners of the door. Take care to support the handle so it doesn't fall and scratch the appliance finish. Make sure both handle caps are resting on the face of the door.



4. Lock one end of the handle into position by tightening the set screw in the handle cap with the allen wrench. **DO NOT** over-tighten.



5. Keep supporting the handle as you lock the other end of the handle into position by tightening the set screw in the handle cap. **DO NOT** over-tighten.

PLUMBING - DRAIN PUMP

Drain Installation

A drain pump is available for this ice machine. The drain pump kit number is UPK4 and is available at GEApplianceparts.com or by calling GE Appliances at 877-959-8688. In Canada visit GEAppliances.ca or call 800.661.1616.

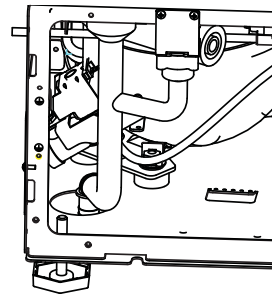
PLUMBING - GRAVITY DRAIN

Drain Installation

▲ NOTICE Restrictions in the drain system to the machine will cause water to back up into the ice storage bin and melt the ice. Gravity drain tubing must be vented, have no kinks, and slope to the building drain. Air gaps are typically required by local codes.

A: Floor Drain Located Under Unit

1. Place the unit (ice machine) in front of the installation opening. Adjust leveling legs to the appropriate height.
2. Remove the left side (when facing the product) access panel to the drain connection.
3. Remove the plastic cover/ plug in the base pan of the unit.
4. Remove the clamp and rotate the barbed elbow on the drain tube so it will drain through the base pan and into the floor drain. Re-secure the clamp.



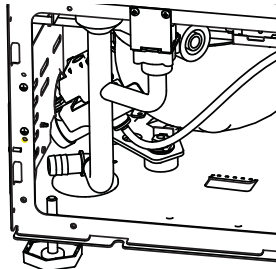
5. Reinstall the access panels.
6. While trying to locate the unit drain as close as possible to the floor drain, carefully push the unit into place.

Installation Instructions

PLUMBING - GRAVITY DRAIN (cont)

B: Floor Drain Located Off to the Side or Back of the Unit (not directly under the unit)

1. Place the unit (ice machine) in front of the installation opening. Adjust leveling legs to the appropriate height.
2. Remove the left side (when facing the product) access panel to the drain connection.
3. Route 5/8" ID x 7/8" OD tygon tubing (clear plastic) through the hole in the lower back panel. Connect tubing to the barbed elbow and secure with a clamp. **NOTE:** Tubing and clamp are not included and must be purchased separately.
4. Take care in measuring the amount of tubing needed to reach the floor drain and cut to desired length. **NOTE:** Ensure there is enough tubing to reach the drain but not too much to kink or bunch up when unit is moved into position.



5. Reinstall the access panels.

Water Supply

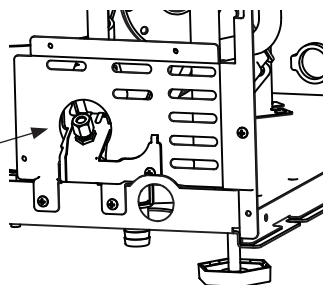
The recommended water supply line is part number WX08X10006G, and is available at GEApplianceparts.com or by calling 877-959-8688. In Canada visit GEAppliances.ca or call 800.561.3344.

Install an easily accessible shut-off valve between the supply and the unit. This shut-off valve should not be installed behind the unit.

The water connection is at the back of the cabinet.

When built in: Coil enough tubing behind the machine so it can be pushed into the cavity without kinking the tubing.

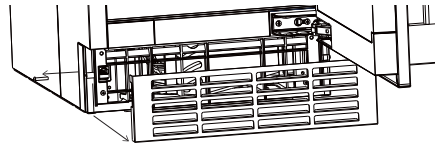
Connect water supply here.



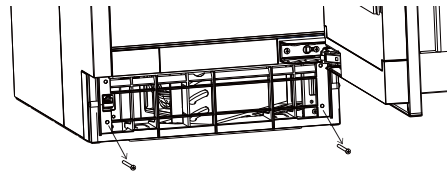
TOE KICK LOCATION

The toe kick can be adjusted to help align with your cabinets. The toe kick comes installed in the inward position. To move the toe kick to the outward position:

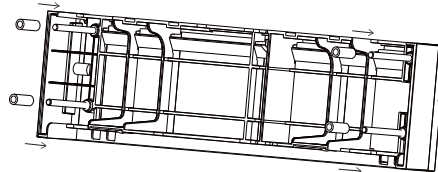
1. Loosen the screws on both sides as shown to remove the metal toe kick.



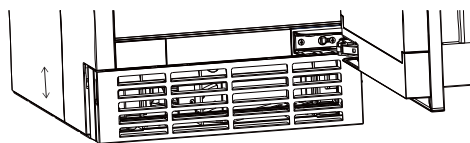
2. Loosen the 2 long screws in front and remove the plastic frame.



3. Insert the bushings provided in the literature bag onto the posts on the rear of the frame as shown.



4. Re-install the plastic frame using the 2 long screws.
5. Re-install the metal toe kick using the 2 screws in the side. The toe kick can be adjusted up and down to your desired position.



Installation Instructions

Drain Pump Kit UPK4 Accessory Installation

BEFORE YOU BEGIN

Read these instructions completely and carefully.

- **IMPORTANT** – Save these instructions for local inspector’s use.
- **IMPORTANT** – Observe all governing codes and ordinances.
- **Note to Installer** – Be sure to leave these instructions with the Consumer.
- **Note to Consumer** – Keep these instructions for future reference.
- **Skill level** – Installation of this appliance requires basic mechanical skills.
- Proper installation is the responsibility of installer.
- Product failure due to improper installation is not covered under the Warranty.

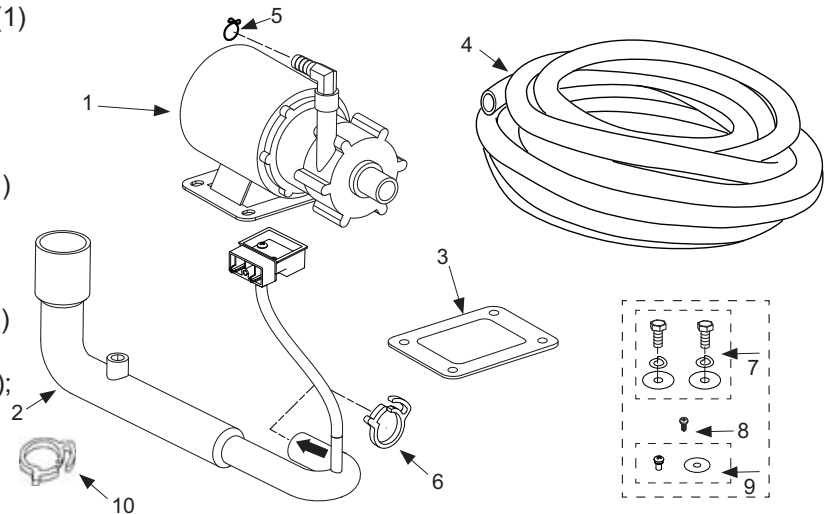
WHAT YOU WILL NEED:

- 3/8" open/box wrench or adjustable wrench
- Drill with phillips head bit or #2 Phillips screwdriver
- Slip joint pliers
- Side cutting pliers

NOTE: This pump can be installed in a cube ice machine or a nugget ice machine.

KIT CONTENTS:

- 1 - Drain Pump & Check Valve Assembly (1)
- 2 - PVC Drain Pipe & Pressure Sensor Assembly (1)
- 3 - Rubber Pad (For Pump Mounting) (1)
- 4 - Discharge Tubing - Clear (1)
- 5 - Metal Clamp (For Discharge Tubing) (1)
- 6 - Plastic Snap Ring (1)
- 7 - Pump Fixing Bolts (2); Spring Washer (2); Flat Washer (2)
- 8 - Pressure Sensor Case Screw (ST/4*12) (1)
- 9 - Ground Screw With Washer (M/4*8) (1); Lock Washer(1)
- 10 - Small Plastic Snap Ring (1) (in some kits)



Installation Instructions

Drain Pump Kit UPK4 Accessory Installation (Cont.)

DISCONNECT ELECTRICAL POWER

⚠ WARNING  **Electrical Shock**

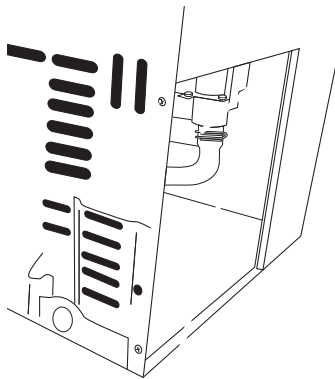
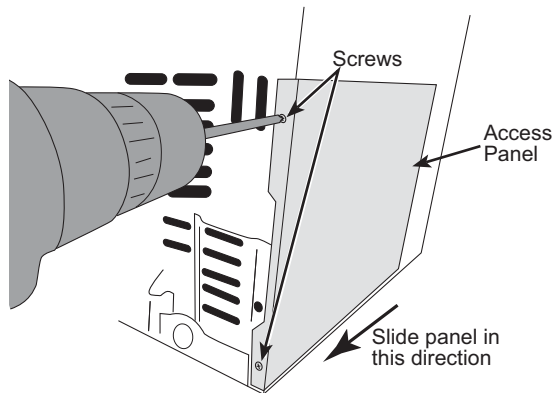
Hazard

Death or serious injury can result from failure to follow these instructions.

- Service by a qualified service technician only.
- Disconnect power before servicing this product.
- Reconnect all grounding devices after service.
- Replace all parts and panels before operating.

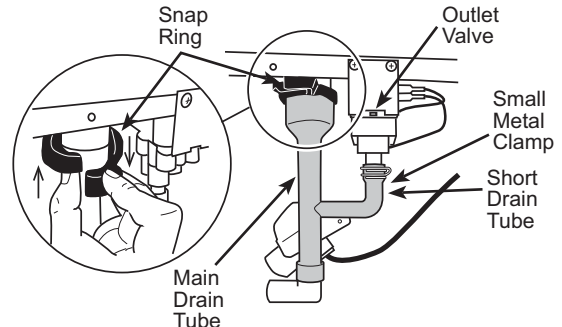
1 REMOVE ACCESS COVER

- Use a drill or a Phillips screwdriver to remove the 2 screws from the access panel as shown in figure below. Slide the panel in the direction shown to remove.

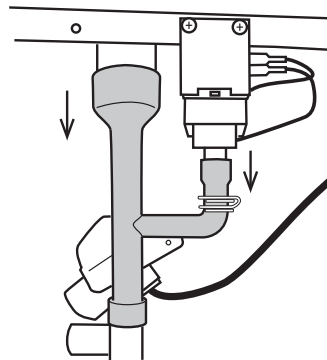


2 REMOVE DRAIN TUBING

- Remove the plastic snap ring from the main drain tube and release the small metal clamp on the short drain tube which connected outlet valve. Pull both tube down. Remove the small metal clamp from the tube. Keep both snap ring and clamp for pump kit installation

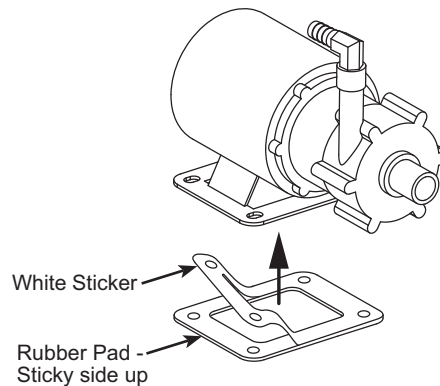


- Remove the white drain pipe by pulling it down from the 2 locations shown.



3 INSTALL RUBBER PAD TO NEW PUMP

- Remove the rectangular rubber pad from pump kit and peel off the white sticker. Attach the sticky side to the drain pump base.

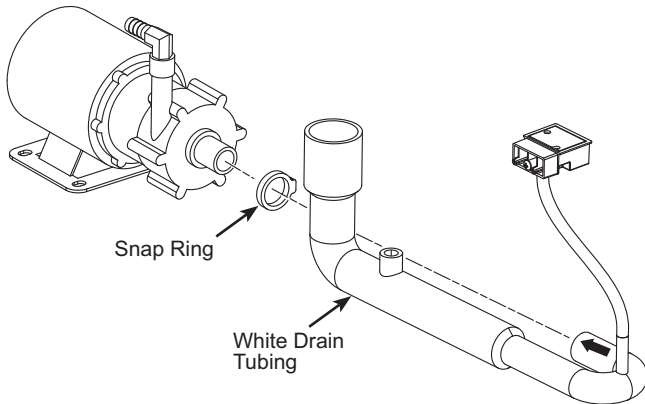


Installation Instructions

Drain Pump Kit UPK4 Accessory Installation (Cont.)

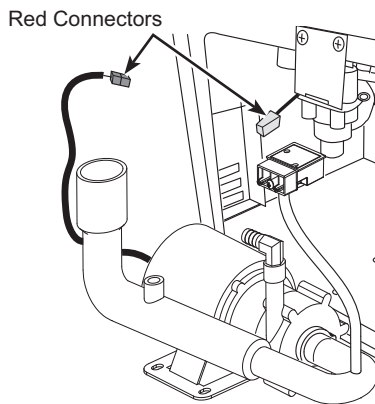
4 INSTALL NEW DRAIN TUBING

- Install the new white drain tubing in the accessories to the drain pump and clamp with snap ring included in the kit. Please ensure that the side with arrow faces up during installation.

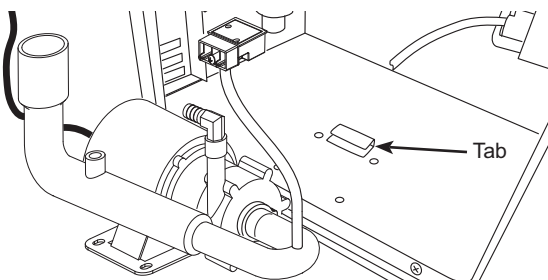


5 INSTALL THE DRAIN PUMP

- Insert the red connector of the drain pump into the red connector you will see on a wire inside of the ice machine.

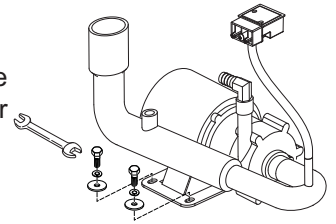


- Slide the drain pump into the ice machine so the base slides under the tab on the base of the ice machine floor. The front of the pump with the hose attached will face the front of the ice machine.



5 INSTALL THE DRAIN PUMP (Cont.)

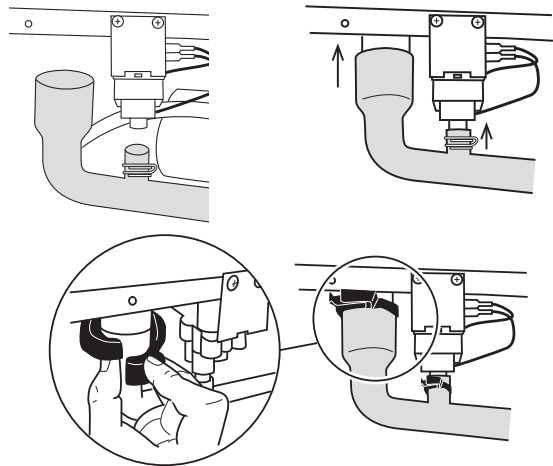
- Using the hardware from the kit, attach the pump to the ice maker floor using a wrench.



6 CONNECT DRAIN PUMP TO ICE MACHINE

For pump kit without small plastic snap ring (item 10 in Pump kit content list).

- Save the big plastic snap ring and the small metal clamp from original tube assembly.
- Slide the small metal clamp on the short drain tube of the PVC pipe as shown in the picture below. Push the pipe up to connect both tubes to the fittings from the ice machine which you disconnected earlier. Snap and secure the big snap ring back and tighten on the connection of the main drain tube. Slide up and secure the small metal clamp up at the connection.



For pump kit coming with small plastic snap ring (item 10 in Pump kit content list),

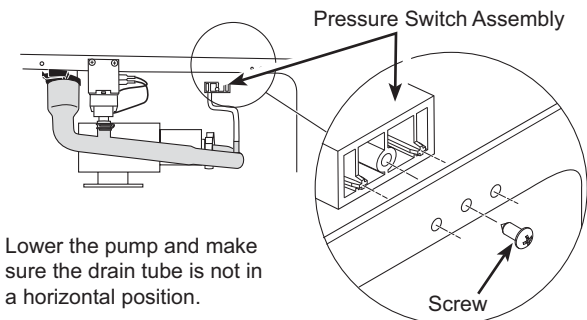
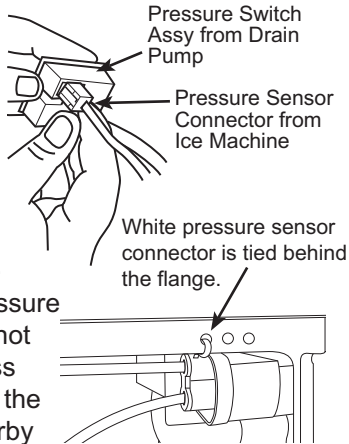
- Save the big plastic snap ring from original tube assembly and pick up the small plastic snap ring from pump package.
- Push the PVC pipe up to connect both tubes to the fittings from the ice machine which you disconnected earlier. Snap and secure the 2 plastic snap rings, one large and one small, onto the connections and tighten on the drain tube.

Installation Instructions

Drain Pump Kit UPK4 Accessory Installation (Cont.)

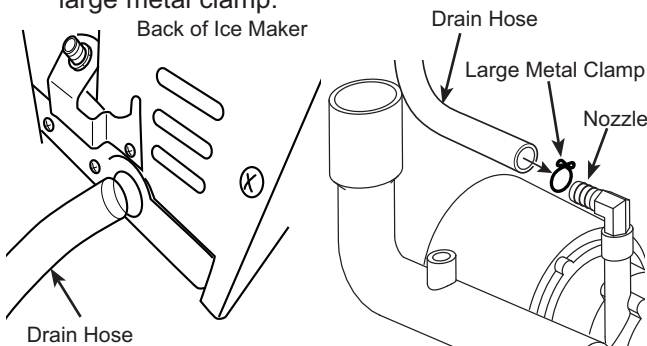
6 CONNECT DRAIN PUMP TO ICE MACHINE (Cont.)

- Locate the male 4-pin white pressure sensor connector behind the bracket hole, loosen the wire tie and connect the pig tail to the pressure sensor located on the drain tube assembly. If the male 4-pin white pressure sensor connector is not showing in the access opening area, locate the connector in the nearby machine compartment area and connect it to pressure sensor on the drain tube assembly. The 4-pin male connector within the ice machine will match up with the 4-pin female connector on the pressure sensor. **NOTE:** the yellow connector within the ice machine should not be used.



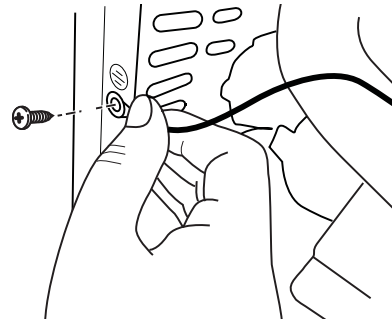
Attach the pressure sensor assembly in the 3 holes of the flange of the ice machine, as shown, using the screw provided with the kit.

- Thread the drain hose into the round hole in the back of the ice machine case and attach to the nozzle on the top of the drain pump using the large metal clamp.



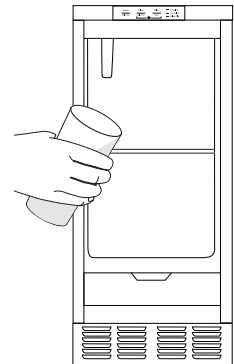
6 CONNECT DRAIN PUMP TO ICE MACHINE (Cont.)

- **IMPORTANT** Ground the pump to the machine cabinet using the green ground wire and screw. The grounding hole is marked with a grounding symbol.



7 CHECK PUMP OPERATION (DO NOT SKIP THIS STEP)

- Restore power to the unit.
- Pour several quarts of water into the bin, the drain pump should turn on and pump the water out of the bin automatically, cycling on and off several times during the process is normal. Check the connections if pump had no response.
- While the pump is discharging water, **THOROUGHLY CHECK THE ENTIRE DRAIN SYSTEM FOR LEAKS.**



8 FINALIZE INSTALLATION

- Re-install side panel using the screws removed in step 1.
- Re-install unit into built-in or free-standing location. **ENSURE THAT NO KINKS OCCUR IN WATER INLET OR DRAIN TUBING.** Double-check for leaks!
- Restore potable water supply and restart the unit. Check unit to ensure proper operation and to allow a final check for leaks of any kind.

GSWF Water Filter

Water Filter Cartridge

The water filter cartridge is located at the bottom of the icemaker behind the water filter access door.

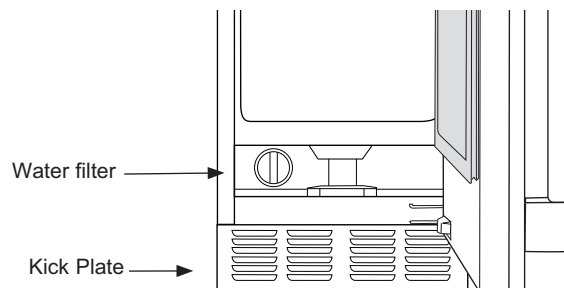
When to Replace the Filter Cartridge

“Replace Filter” Indicator will come on when it is time to order a filter. This will occur after approximately 5 months or earlier after periods of heavy icemaking. To order additional filter cartridges, visit our website at gewaterfilters.com or call GE Appliances Parts and Accessories, 877.959.8688 and order filter GSWF.

“Replace Filter” Indicator will flash when it is time to replace the filter. This will occur after approximately 6 months or earlier after periods of heavy icemaking.

Replacing the Filter

1. Make sure power is turned off (making sure ice light is not on).
2. Open water filter access door by pulling on the top of the door until it flips open
3. Gently grasp the filter and slowly turn it to the left about a $\frac{1}{4}$ turn until you can pull it out. A small amount of water may drip out of the filter.



Filter Bypass Plug

If a replacement filter cartridge is not available, a bypass plug must be used in order for the icemaker to function. To obtain a bypass plug, call 800.GECARES and request WR02X11613 filter bypass plug. In Canada, call 800.561.3344. The left side panel will need to be removed to install a filter bypass plug. Be sure to unplug the icemaker before trying to install a bypass plug.

Installing the Filter

1. Open water filter access door by pulling on the top of the door until it flips open
2. Insert filter until it aligns in the filter housing
3. Slowly turn the filter to the right until it stops. **DO NOT OVERTIGHTEN.** As you turn the filter, it should automatically adjust itself into position. The filter will move about $\frac{1}{4}$ turn or 90 degrees when in the correct position.
4. Gently close the filter access door until it snaps into place
5. Press and hold the "Filter Reset" button for 3 seconds to reset the filter timer/counter.

If you have questions, or to order additional filter cartridges, visit our website at gewaterfilters.com or call GE Appliances Parts and Accessories, 877.959.8688.

Care And Cleaning

Cleaning the Outside

The stainless steel door and door handle can be cleaned with a commercially available stainless steel cleaner. Cleaners with oxalic acid such as Bar Keepers Friend Soft Cleanser™ will remove surface rust, tarnish and small blemishes.

Use only a liquid cleanser free of grit and rub in the direction of the brush lines with a damp soft sponge. Do not use appliance wax or polish on the stainless steel.

Cleaning the Condenser

⚠ WARNING  **Electrical Shock Hazard**

To eliminate the risk of electric shock or injury, you must first unplug the icemaker before proceeding. Failure to follow these instructions can result in electrical shock or injury.

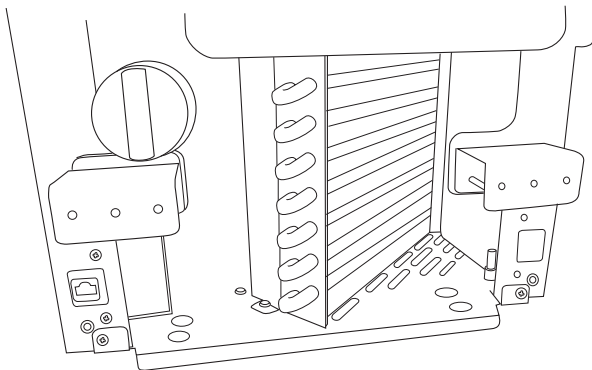
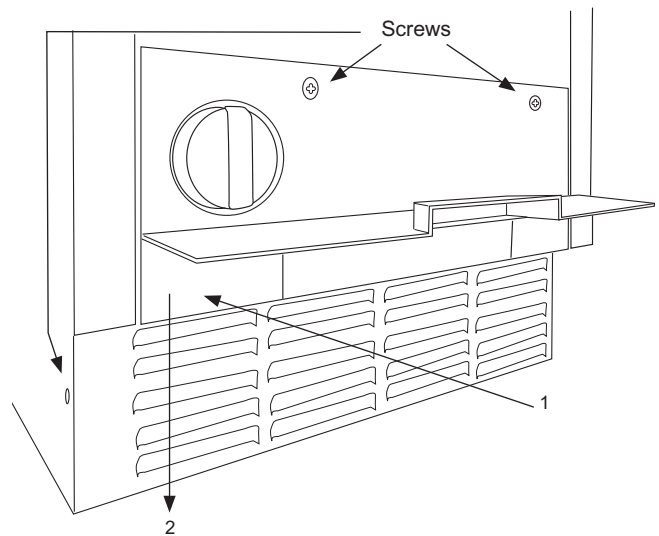
The condenser has fins and tubes that can become clogged with dirt and lint.

To clean:

1. Unplug the icemaker.
2. Remove the kickplate by removing the 2 screws in the sides of the metal grill, then 2 additional screws from the front of the kickplate. Pull kickplate forward to remove. To access top of condenser, remove door by removing the hinges from the cabinet. Open the water filter access door and remove 2 screws in the filter cover. Remove hinge cover plate on opposite side of hinge by firmly pressing in and sliding down. Pull filter cover forward to remove.
3. Vacuum the surface to remove all dust and lint.

⚠ NOTICE **Do not dent the fins.**

4. Re-install the filter cover, hinge cover plate, kick plate and door.



Care And Cleaning

MODEL UCC15NP*

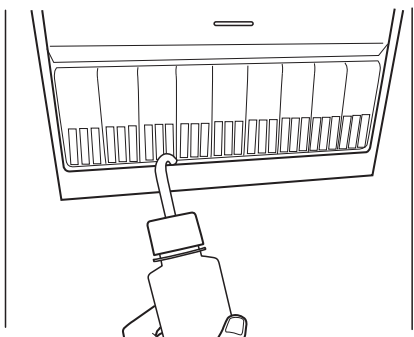
Cleaning the ice machine involves adding a cleaner to the ice machine.

You should use rubber gloves when using the scale remover. To order cleaner, go to GEApplianceParts.com or call 877-959-8688. Order part number WX01X40745.

1. Pour 3 ounces of cleaner into the squirt bottle.
2. If unit is on, Press and hold **Power** button for 3 seconds. The Icemaking light will flash until current batch of ice is released. This could take up to 30 minutes.



3. Scoop out and discard all of the ice in the ice bin.
4. Once the Icemaking light turns off, press and hold **Clean** button for 3 seconds to begin cleaning function. The **Time to Clean** light will start to flash.
5. After the **Time to Clean** light starts flashing, add the 3 ounces of cleaner from the squirt bottle as shown.



6. The icemaker will continue the cleaning process. This can take up to one hour. When the process is complete, the **Time to Clean** light will turn off.
7. Pour approximately 1/2 gallon of hot (95-115°F) water into the bin to flush out the bin.
8. Mix one ounce of cleaner with one quart of water and clean the ice bin, interior door and gasket surfaces.
9. Sanitize the bin and drain by pouring a mixture of 1 ounce of household bleach with 2 gallons of water into the bin.
10. Rinse the bin again with hot water.
11. Push and hold the **Power** button for 3 seconds to restart ice making.

The ice scoop should also be washed regularly.

Winterizing

1. With the icemaker in the Making Ice mode, open the door and push the Power button to turn the ice machine off. The "Making Ice" light will flash until the current icemaking cycle is completed (up to 20 minutes) and the icemaker tank will automatically drain. (Make sure to turn off the icemaker in this way. If the icemaker is unplugged without first turning it off, the water in the tank will not drain.)
2. Turn off the water supply.
3. Models with a drain pump installed should have about 1/2 gallon of RV antifreeze (propylene glycol) poured into the ice storage bin drain.

NOTE: Automotive antifreeze must NOT be used.

4. Turn off and unplug the machine.

NOTE: When placing the icemaker back in service after winterizing, it is recommended to complete the cleaning process on page 21.

Vacation

If you plan on being away for an extended period of time, it is recommended that you turn off icemaking.

1. Press and hold "Power" for 3 seconds.
2. If icemaker is making ice when turned off, the Making Ice indicator will flash for up to 20 minutes to allow the icemaker to complete the icemaking process prior to turning off. The icemaker will also drain any water in the tank every time it is turned off.

Troubleshooting Tips... Before you call for service

Save time and money! Review the charts on the following pages first and you may not need to call for service.

Problem	Possible Causes	What to Do
Low ice rate	Restricted drain or standing water in the bin	Clean the air cooled condenser fins.
		Clean the ice making system.
Check the drain line for kinks		
	Room temperature may be high	Icemaker operates best in temperatures between 60 and 90 degrees F.
Ice cubes are incompletely formed	Scale on the ice making system	Clean the ice making system
No ice	Power is OFF	Press and hold the "Power" button 3 seconds to turn icemaking on. "Making Ice" light should turn on.
	Electric breaker has been tripped	Flip the electric breaker back on. If the breaker trips again, call service..
	Water supply is low ("Making Ice" and "Filter" lights will flash alternately)	Check to make sure water supply is on or supply lines are not kinked. Water filter may need to be replaced.
	Component or sensor problem. (Different lights on control panel will be flashing)	Call service.
<i>Time to Clean</i> light is on		Clean the ice making system following directions in the <i>Care and Cleaning</i> section.
Water backs up into ice bin	Drain tubing is kinked	Use drain tubing that does not kink.

Noise

The ice machine is designed for quiet operation but will make some noise during the ice making cycle. During a freezing cycle, it is normal to hear the fan moving air and the water pump circulating water. Ice hitting the bin or ice in the bin can be heard during harvest.

GE Appliances Ice Machine Limited Warranty

GEAppliances.com

All warranty service is provided by our Factory Service Centers, or an authorized Customer Care® technician. To schedule service online, visit us at geappliances.com/service, or call GE Appliances at 800.GE.CARES (800.432.2737). Please have your serial number and your model number available when calling for service. In Canada, visit

GEAppliances.ca/en/support/service-request or call 800.561.3344

For the Period of:	GE Appliances Will Replace
One Year From the date of the original purchase	Any part of the ice machine which fails due to a defect in materials or workmanship. During the limited one-year warranty , GE Appliances will also provide, free of charge, all labor and related service to replace the defective part.
Five Years From the date of the original purchase	Any part of the sealed ice machine system (the compressor, condenser, evaporator and all connecting tubing) which fails due to a defect in materials or workmanship. During the limited five-year sealed refrigerating system warranty , GE Appliances will also provide, free of charge , all labor and related service to replace the defective part in the sealed refrigerating system.

What GE Appliances Will Not Cover:

- Service trips to your home to teach you how to use the product.
- Improper installation, delivery or maintenance.
- Failure of the product if it is abused, misused, or used for other than the intended purpose or used commercially.
- Replacement of house fuses or resetting of circuit breakers.
- Damage caused after delivery.
- Replacement of the light bulbs, if included.
- Damage to the product caused by accident, fire, floods or acts of God.
- Incidental or consequential damage caused by possible defects with this appliance.
- Product not accessible to provide required service.

EXCLUSION OF IMPLIED WARRANTIES

Your sole and exclusive remedy is product repair as provided in this Limited Warranty. Any implied warranties, including the implied warranties of merchantability or fitness for a particular purpose, are limited to one year or the shortest period allowed by law.

For US Customers: This limited warranty is extended to the original purchaser and any succeeding owner for products purchased for home use within the USA. If the product is located in an area where service by a GE Appliances Authorized Servicer is not available, you may be responsible for a trip charge or you may be required to bring the product to an Authorized GE Appliances Service location for service. In Alaska, the limited warranty excludes the cost of shipping or service calls to your home.

Some states do not allow the exclusion or limitation of incidental or consequential damages. This limited warranty gives you specific legal rights, and you may also have other rights which vary from state to state. To know what your legal rights are, consult your local or state consumer affairs office or your state's Attorney General.

Warrantor: GE Appliances, a Haier company
Louisville, KY 40225

For Customers in Canada: This limited warranty is extended to the original purchaser and any succeeding owner for products purchased in Canada for home use within Canada. In-home warrant service will be provided in areas where it is available and deemed reasonable by Mabe to provide.

Warrantor Canada: MC Commercial, Inc., Burlington, Ontario, L7R 5B6

Staple your receipt here. Proof of the original purchase date is needed to obtain service under the warranty.

Accessories

Looking For Something More?

Finished stainless steel door panels with handles are available from GE Appliances for attachment to the ice machine. The panel kits are:

- ZK1UN150RSS - Stainless steel door without handle. The following Monogram handles are available for purchase separately:
 - ZXGP1H1CPSS – Brushed stainless Minimalist handle
 - ZXGP1H1PPSS – Brushed stainless Statement handle
- PK1UG150RSS - Stainless steel door with Profile Style Handles
- CK1UP150RS1 - Stainless steel door with Café Style Handles
- CK1UP150RD1 - Matte black with Café style handle
- CK1UP150RW2 - Matte white with Café style handle

In addition we also offer the following Café handle kits:

- CXQW1H1PPBT - Black handle
- CXQW1H1PPBZ - Bronze handle
- CXQW1H1PPCU - Copper handle
- CXQW1H1PPSS - Stainless steel handle

NOTE: These kits only work with the CIP family of door kits.

To order, go to GEApplianceParts.com or call 877-959-8688. In Canada visit GEAppliances.ca/en/products/parts-filter-accessories or call 800.661.1616.

Drain Conversion: A gravity drain model can be converted to a drain pump model by installing a drain pump kit. The drain pump kit consists of a drain pump, wiring harness and associated tubing. The part number is UPK4. To order, go to GEApplianceParts.com or call 877-959-8688. In Canada visit GEAppliances.ca/en/products/parts-filter-accessories or call 800.661.1616.

Consumer Support

GE Appliances Website

Have a question or need assistance with your appliance? Try the GE Appliances Website 24 hours a day, any day of the year! You can also shop for more great GE Appliances products and take advantage of all our on-line support services designed for your convenience. In the US: **GEAppliances.com** In Canada: **GEAppliances.ca**

Register Your Appliance

Register your new appliance on-line at your convenience! Timely product registration will allow for enhanced communication and prompt service under the terms of your warranty, should the need arise. You may also mail in the pre-printed registration card included in the packing material.

In the US: **GEAppliances.com/register**

In Canada: **Prodsupport.mabe.ca/crm/Products/ProductRegistration.aspx**

Schedule Service

Expert GE Appliances repair service is only one step away from your door. Get on-line and schedule your service at your convenience any day of the year. In the US: **GEAppliances.com/service** or call 800.432.2737 during normal business hours.

In Canada: **GEAppliances.ca/en/support/service-request** or call 800.561.3344

Extended Warranties

Purchase a GE Appliances extended warranty and learn about special discounts that are available while your warranty is still in effect. You can purchase it on-line anytime. GE Appliances Services will still be there after your warranty expires. In the US: **GEAppliances.com/extended-warranty** or call 800.626.2224 during normal business hours.

In Canada: **GEAppliances.ca/en/support/purchase-extended-warranty** or call 866.277.9842.

Parts and Accessories

Individuals qualified to service their own appliances can have parts or accessories sent directly to their homes (VISA, MasterCard and Discover cards are accepted). Order on-line today 24 hours every day.

In the US: **GEApplianceparts.com** or by phone at 877.959.8688 during normal business hours.

Instructions contained in this manual cover procedures to be performed by any user. Other servicing generally should be referred to qualified service personnel. Caution must be exercised, since improper servicing may cause unsafe operation.

Customers in Canada should consult the yellow pages for the nearest Mabe service center, visit our website at **GEAppliances.ca/en/products/parts-filters-accessories** or call 800.661.1616.

Contact Us

If you are not satisfied with the service you receive from GE Appliances, contact us on our Website with all the details including your phone number, or write to:

In the US: General Manager, Customer Relations | GE Appliances, Appliance Park | Louisville, KY 40225

GEAppliances.com/contact

In Canada: Director, Consumer Relations, Mabe Canada Inc. | Suite 310, 1 Factory Lane | Moncton, N.B. E1C 9M3

GEAppliances.ca/en/contact-us



MACHINE À GLAÇONS

INFORMATION DE SÉCURITÉ ... 3

UTILISANT LA MACHINE À GLAÇONS

Déballage. 6

Commandes 6

Fonctions. 8

Démarrage de la machine à glaçons. 8

INSTALLATION INSTRUCTIONS

Mise à la terre de la machine à glaçons . . . 9

Avant de commencer 9

Emplacement et préparation 9

Planification préalable. 11

Dimensions 12

L'ouverture de porte 13

Panneau de porte. 15

Instructions relatives à l'inversion de la poignée 18

Plomberie 18

Emplacement du coup-de-pied 19

Installation de la trousse de pompe de vidange UPK4 en accessoire 20

ENTRETIEN ET NETTOYAGE.. 24

CONSEILS DE DÉPANNAGE... 27

GARANTIE LIMITÉE 28

ACCESSOIRES 29

SERVICE À LA CLIENTÈLE 30

MANUEL D'UTILISATION ET INSTRUCTIONS D'INSTALLATION

UCC15NP

FRANÇAIS

Inscrivez les numéros de modèle et de série ici :

No modèle _____

No série _____

Ces numéros figurent sur une étiquette dans le haut de la doublure interne vers le devant de l'appareil.

NOUS VOUS REMERCIONS D'ACCUEILLIR GE APPLIANCES CHEZ VOUS

Que vous ayez grandi avec GE Appliances ou qu'il s'agisse de votre première acquisition, nous sommes heureux de vous accueillir dans notre famille.

Nous sommes fiers du savoir-faire, de l'innovation et de l'esthétique qui composent chaque appareil GE Appliances, et nous pensons que vous le serez aussi. Dans cette optique, nous vous rappelons que l'enregistrement de votre électroménager vous assure la communication de renseignements importants sur le produit et la garantie lorsque vous en avez besoin.

Enregistrez votre électroménager GE en ligne dès maintenant. Des sites Web et des numéros de téléphone utiles figurent dans la section Soutien au consommateur de ce manuel d'utilisation. Vous pouvez aussi poster la fiche de garantie pré-imprimée incluse dans l'emballage.



GE APPLIANCES

INSTRUCTIONS IMPORTANTES DE SÉCURITÉ

LISEZ TOUTES LES INSTRUCTIONS AVANT UTILISANT LA MACHINE À GLAÇONS

⚠ AVERTISSEMENT Pour réduire le risque d'incendie, d'explosion, de choc électrique ou de blessures lorsque vous utilisez votre machine à glaçons, veuillez suivre ces consignes de sécurité :

- Cette machine à glaçons doit être correctement installée conformément aux Consignes d'Installation avant toute utilisation.
- Débranchez la machine à glaçons avant d'effectuer une réparation ou de la nettoyer.
Remarque : L'alimentation de la machine à glaçons ne peut être déconnectée par aucune des fonctions sur le panneau de commande.
Remarque : Les réparations doivent être effectuées par un professionnel qualifié.
- Remettez toutes les pièces et panneaux en place avant d'utiliser l'appareil.
- N'utilisez pas un cordon de rallonge.
- Gardez les matériaux et vapeurs inflammables loin de la machine à glaçons.
- N'entreposez pas dans cet électroménager des substances explosives telles que des bombes aérosols qui contiennent un gaz propulseur.
- Afin de prévenir les risques de suffocation ou d'enfermement, retirez la porte de toute machine à glaçons avant de la mettre au rebut ou si vous cessez de l'utiliser.
- Afin de prévenir les accidents graves ou la mort, les enfants ne doivent pas se tenir ni jouer dans ou sur l'électroménager.
- Les enfants et les personnes dont les capacités sont réduites sur le plan physique, sensoriel ou mental, ou qui manquent d'expérience ou de connaissances, peuvent utiliser cet électroménager seulement si elles sont surveillées ou ont reçues des consignes de sécurité sur son usage et les risques y sont associés.
- Cet électroménager est conçu pour une utilisation domestique et applications similaires : salle du personnel dans une usine, un bureau ou d'autres lieux de travail; maison de ferme; clients dans un hôtel, un motel, un gîte touristique et d'autres lieux résidentiels; approvisionnement et applications similaires non reliées au commerce de détail.
- Raccordez-vous à une alimentation en eau potable seulement. Une alimentation en eau potable est requise pour le fonctionnement de la machine à glaçons. La pression d'eau doit se situer entre 30 et 120 psi (275 à 827 kilopascals).
- N'appliquez pas de nettoyants corrosifs sur la machine à glaçons. Certains nettoyants endommagent le plastique et peuvent ainsi causer le détachement inopiné de pièces telles que porte ou poignées de porte. Voyez la section Entretien et nettoyage pour des instructions détaillées.

⚠ ATTENTION Pour réduire le risque de blessures lorsque vous utilisez votre machine à glaçons, veuillez suivre ces consignes de sécurité.

- Éloignez les doigts des parties du congélateur où l'on peut facilement se pincer : les espaces entre les portes, et entre les portes et les placards sont toujours étroits. Soyez prudent lorsque vous fermez les portes en présence d'enfants.
- Ne touchez pas les surfaces chaudes dans le compartiment à glace.
- Évitez le contact avec les pièces mobiles de l'appareil.

INSTALLATION

⚠ AVERTISSEMENT  **RISQUE D'EXPLOSION**

Conservez les matériaux et vapeurs inflammables tels que l'essence à l'écart de votre appareil. Une explosion, un incendie voire la mort pourrait en résulter.

LIRE ET CONSERVER CES INSTRUCTIONS

INSTRUCTIONS IMPORTANTES DE SÉCURITÉ

LISEZ TOUTES LES INSTRUCTIONS AVANT UTILISANT LA MACHINE À GLAÇONS

⚠ AVERTISSEMENT



RISQUE D'INCENDIE OU D'EXPLOSION Fluide frigorigère inflammable

Cet électroménager contient le réfrigérant isobutane, aussi connu comme R600a, un gaz naturel à compatibilité élevée avec l'environnement. Il s'agit cependant d'un combustible. Observez les consignes de sécurité ci-dessous afin de réduire le risque de blessure ou de dommage à la propriété.

1. Lors de la manipulation, de l'installation et de l'utilisation de cet appareil, prenez soin de ne pas endommager les tubes de circulation du fluide frigorigère.
2. L'entretien ou la réparation doivent être effectués par un personnel de service autorisé. Utilisez seulement des pièces de rechange autorisées par le fabricant.
3. Mettez le réfrigérateur au rebut conformément aux réglementations fédérales et locales. Le fluide frigorigère inflammable et le matériel isolant utilisés nécessitent des procédures de mise au rebut spéciales. Communiquez avec les autorités locales compétentes pour la mise au rebut de votre réfrigérateur sans danger pour l'environnement.
4. N'obstruez pas les événements dans l'enceinte prévue pour l'appareil.
5. N'utilisez pas un pic à glace ni un instrument métallique ou aux arêtes coupantes pour retirer du givre ou de la glace dans le compartiment de la machine à glaçons car il y a risque de percer la doublure puis la tubulure de réfrigérant inflammable derrière elle.
6. N'utilisez pas d'appareils électriques dans le compartiment réfrigérateur de cet appareil.
7. N'utilisez pas un appareil électrique pour faire fondre de la glace ou du givre dans votre machine à glaçons.

BRANCHEMENTS ÉLECTRIQUES

⚠ AVERTISSEMENT



RISQUE DE CHOC ÉLECTRIQUE

Branchez l'appareil dans une prise triple avec terre.

Ne retirez pas la broche de terre.

N'utilisez pas d'adaptateur.

Le non-respect de ces instructions peut entraîner des risques d'incendies, des chocs électriques ou la mort.

Ne coupez pas ou n'enlevez pas, sous aucun prétexte, la troisième broche de mise à la terre du cordon d'alimentation. Pour des raisons de sécurité, cet appareil doit être correctement mis à la terre.

Le cordon d'alimentation de cet appareil est équipé d'une fiche à trois broches (pour une mise à la terre) qui s'adapte à la prise de courant standard à 3 broches (pour une mise à la terre) pour minimiser les risques de chocs électriques par cet appareil.

Faites vérifier la prise murale et le circuit électrique par un électricien qualifié pour s'assurer que le système est correctement mis à la terre.

Dans le cas d'une prise biphasée, l'installateur a la responsabilité et l'obligation de la remplacer par une prise triphasée correctement mise à la terre. N'utilisez pas d'adaptateur.

La machine à glaçons doit toujours être branchée dans son propre circuit de 120 volts, 60 Hz, 15 ampères. Cette

précaution procure le meilleur rendement et prévient aussi la surcharge des circuits électriques du domicile qui peuvent poser un risque d'incendie par surchauffe des fils.

Ne débranchez jamais la machine à glaçons en tirant sur le cordon électrique. Prenez toujours fermement la fiche en main et tirez pour la sortir de la prise.

Réparez ou remplacez immédiatement tout cordon électrique usé ou endommagé. N'utilisez pas un cordon fissuré ou présentant des dommages dus aux frottements soit sur sa longueur ou aux extrémités.

Lors du déplacement de la machine à glaçons, veillez à ne pas rouler sur le cordon électrique ni à l'endommager autrement.

LIRE ET CONSERVER CES INSTRUCTIONS

INSTRUCTIONS IMPORTANTES DE SÉCURITÉ

LISEZ TOUTES LES INSTRUCTIONS AVANT UTILISANT LA MACHINE À GLAÇONS

MISE AU REBUT APPROPRIÉE DE VOTRE ANCIEN APPAREIL

⚠ AVERTISSEMENT

RISQUE DE SUFFOCATION ET DE PIÉGEAGE DES ENFANTS

Retirez la porte de l'électroménager avant la mise au rebut. L'omission de procéder ainsi pose un risque de piéger un enfant dont l'issue pourrait se traduire par des lésions cérébrales ou la mort par asphyxie.

IMPORTANT: Les enfants pris au piège ou morts d'asphyxie sont toujours d'actualité. Les réfrigérateurs et congélateurs abandonnés sont toujours aussi dangereux, même si on n'attend que «quelques jours» pour s'en débarrasser. Si vous ne gardez pas votre ancien réfrigérateur ou congélateur, veuillez suivre les directives ci-dessous afin de prévenir les accidents.

Avant de vous débarrasser de votre ancien appareil :

- Démontez les portes du compartiment de réfrigération et du compartiment de congélation.
- Laissez les clayettes en place afin d'empêcher les enfants de grimper à l'intérieur.

Mise au rebut du réfrigérant et de la mousse:

Jetez ou recyclez votre appareil conformément aux lois fédérales et de votre localité. Le matériel isolant inflammable utilisé nécessite une mise au rebut spéciale. Communiquez avec les instances locales pour savoir comment mettre votre réfrigérateur au rebut ou le recycler.

LIRE ET CONSERVER CES INSTRUCTIONS

Déballage

Retirer l'emballage

IMPORTANT: N'enlevez aucune étiquette d'instructions permanente à l'intérieur de la machine à glaçons ni fiche technique fixée derrière le panneau d'accès inférieur.

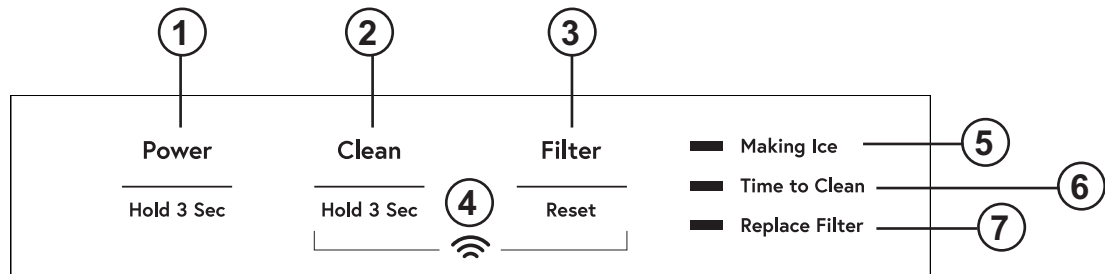
- Retirez le ruban adhésif et toute étiquette de votre machine à glaçons avant l'utilisation (sauf l'étiquette des numéros de modèle et de série).

Pour enlever les résidus d'adhésif ou de colle qui subsistent, frottez la zone vigoureusement avec votre pouce. On peut aussi faire partir aisément les résidus d'adhésif ou de colle

en frottant avec les doigts et une petite quantité de savon à vaisselle liquide. Essuyez à l'eau chaude et séchez.

- N'utilisez pas d'instruments coupants, de l'alcool à friction, des fluides inflammables ni des nettoyants abrasifs pour enlever l'adhésif ou la colle. Ces produits peuvent endommager la surface de la machine à glaçons. Pour plus d'informations, voir Consignes de sécurité importantes.

Commandes



- POWER (mise en marche/arrêt)** - Maintenez une pression durant 3 secondes pour allumer la machine à glaçons. Maintenez une pression durant 3 secondes pour mettre la machine à glaçons hors tension. (Si la machine à glaçons fabrique de la glace lorsqu'elle est éteinte, le voyant Making Ice clignotera jusqu'à ce que le cycle de fabrication actuel soit terminé avant de s'éteindre. La machine à glaçons évacuera aussi toute eau résiduelle dans le réservoir à chaque fois qu'elle est éteinte.) Si, pendant la fabrication de glace, vous devez éteindre la machine à glaçons soudainement, maintenez de nouveau une pression sur le bouton Power durant 3 secondes.
- CLEAN (NETTOYAGE)** - Maintenez une pression durant 3 secondes pour démarrer le cycle de nettoyage. (Voyez la section Entretien et nettoyage)
- FILTER RESET (RÉINITIALISATION DU FILTRE)** - Pressez après un changement de filtre afin de réinitialiser le minuteur du filtre. (Voyez le filtre à eau GSWF)
- Wi-Fi** - Maintenez une pression sur les boutons Clean et Filter simultanément. Le symbole Wi-Fi commencera à clignoter. (Voyez la section Wi-Fil)
- MAKING ICE (FABRICATION DE GLAÇONS)** - Le voyant s'allume lorsque l'appareil est en mode de fabrication de glace.
- TIME TO CLEAN (rappel du nettoyage)** - Ce voyant va s'allumer au bout de 5 mois pour signaler qu'il est temps de commander du nettoyant. Il va clignoter au bout de 6 mois pour signaler qu'il est temps de nettoyer la machine. (Voyez la section Entretien et nettoyage)
- Replace Filter (remplacer le filtre)** - Ce voyant va s'allumer lorsqu'il est temps de commander un filtre. Il va clignoter lorsqu'il est temps de remplacer le filtre. (Voyez le filtre à eau GSWF)

Mode Sabbat

Le mode Sabbat est destiné au sabbat et aux autres fêtes juives. La machine à glaçons ne fabrique pas de glace pendant de mode Sabbat. Si le mode Sabbat est activé pendant la fabrication de glace, la machine à glaçons terminera le cycle actuel avant de s'éteindre (moins de 30 minutes). À la fin du mode Sabbat, la fabrication de glace redémarre. Si la machine à glaçons est dotée d'une pompe de vidange, elle continuera de fonctionner normalement.

La machine à glaçons quitte le mode Sabbat automatiquement au bout de 96 heures.

MARCHE/ARRÊT - Pour activer le mode Sabbat, maintenez une pression sur Power et Filter Reset durant 3 secondes. Pour quitter le mode Sabbat, maintenez une pression sur Power et Filter Reset durant 3 secondes. Les voyants Making Ice, Time to Clean et Replace Filter vont tous s'allumer pour signaler que le mode Sabbat est actif.

Alarme de porte

Une alerte se fait entendre si la porte est laissée ouverte durant 2 minutes. L'alarme cesse dès la fermeture de la porte. Activez l'alarme en pressant le bouton Alarm.

Désactivez l'alarme de porte en pressant simultanément les boutons Power, Clean et Filter Reset. Pour réactiver l'alarme de porte, pressez simultanément les boutons Power, Clean et Filter Reset.

Fonctions


Communication avec les électroménagers

Wi-Fi (pour les clients aux États-Unis, ses territoires et au Canada)

- Téléchargez l'application SmartHQ.
 - Disponible pour iPhone chez Apple Store ou en cliquant un lien sur GEAppliances.com.
 - Disponible pour Android chez Google Play ou en cliquant un lien sur GEAppliances.com.
- Sélectionnez Create Account (créer un compte) dans l'application.
 - Entrez les informations puis sélectionnez Register (s'enregistrer). Un courriel vous sera envoyé.
 - Lorsque vous recevez le courriel, sélectionnez Verify Account (vérifier le compte).
 - Connectez-vous avec votre identifiant et sélectionnez Authorize (autoriser) pour permettre à l'application de communiquer avec la machine à glaçons.
- Repérez l'étiquette « Connected Appliance Information » en ouvrant la porte d'accès au filtre à eau dans le bas de la machine à glaçons. Identifiez l'étiquette pour sélectionner la bonne méthode de connexion.

Modèles de machine à glaçons avec étiquette de mot de passe :




- Configurez l'application..
 - Appuyez sur  en haut de l'écran.
 - Choisissez GE Appliances > Refrigeration > Under Counter Icemaker.
 - Le bouton d'information affichera une image de l'écran tactile sur l'appareil. Sélectionner OK.
 - Sélectionnez Next.
- Appuyez sur WiFi Connect sur le panneau de commande. Maintenez une pression sur les boutons Clean et Filter simultanément. Le symbole Wi-Fi commencera à clignoter sur l'écran.
 - Sélectionnez Next dans l'application.
- Trouvez le mot de passe sur l'étiquette « Connected Appliance Information ».

- Entrez le mot de passe dans l'application.
- Connectez-vous au module Wi-Fi de la machine à glaçons dans les paramètres Wi-Fi du téléphone, puis retournez à l'application SmartHQ et sélectionnez Next.
 - Le Wi-Fi aura le format « GE_MODULE_XXXX ». Le numéro du module se trouve également sur l'étiquette.
 - Connectez-vous au réseau Wi-Fi du domicile et saisissez le mot de passe Wi-Fi du domicile.

Modèles de machine à glaçons avec étiquette UPD ID :



- Appuyez sur WiFi Connect sur le panneau de commande. Maintenez une pression sur les boutons Clean et Filter simultanément. Le symbole Wi-Fi commencera à clignoter sur l'écran.
- Configurez l'application.
 - Appuyez sur  en haut de l'écran.
 - La machine à glaçons va scanner à proximité automatiquement. Si la fonction Bluetooth du téléphone portable est désactivée, cliquez sur « GO TO SETTING » pour l'activer. Appuyez de nouveau sur Scan dans l'application.
 - Sélectionnez « Under Counter Ice Maker » (machine à glaçons sous comptoir) pour la connexion.
 - L'application recherchera automatiquement les réseaux Wi-Fi disponibles.
 - Sélectionnez le réseau Wi-Fi domestique et tapez le mot de passe Wi-Fi.
- Si toutes les coches apparaissent et que vous obtenez un écran vous informant que l'appareil est connecté, la connexion a réussi.
- Si la connexion échoue, l'application affichera « Oops! Something Went Wrong » (Oops! Quelque chose n'a pas fonctionné). Vous recevrez les raisons probables de l'échec et l'option pour faire un nouvel essai.

Renseignements réglementaires

Déclaration de conformité de la FCC/IC:

Cet appareil est conforme aux prescriptions de la partie 15 des règles de la FCC. Le fonctionnement de cet équipement est assujéti aux deux conditions suivantes:

1. Cet appareil ne doit pas causer de brouillage préjudiciable, et
2. Cet appareil doit accepter tout brouillage qu'il reçoit, y compris celui pouvant entraîner un fonctionnement indésirable.

Cet équipement a été testé et déclaré conforme aux limites imposées pour un appareil numérique de Classe B, conformément à la partie 15 de la réglementation FCC. Ces limites sont conçues pour assurer une protection raisonnable contre le brouillage nuisible dans une installation résidentielle. Cet équipement génère, utilise et émet des fréquences radio qui, en cas d'une installation erronée ou d'une utilisation non conforme aux instructions de ce manuel d'utilisation peuvent causer un brouillage nuisible aux communications radio.

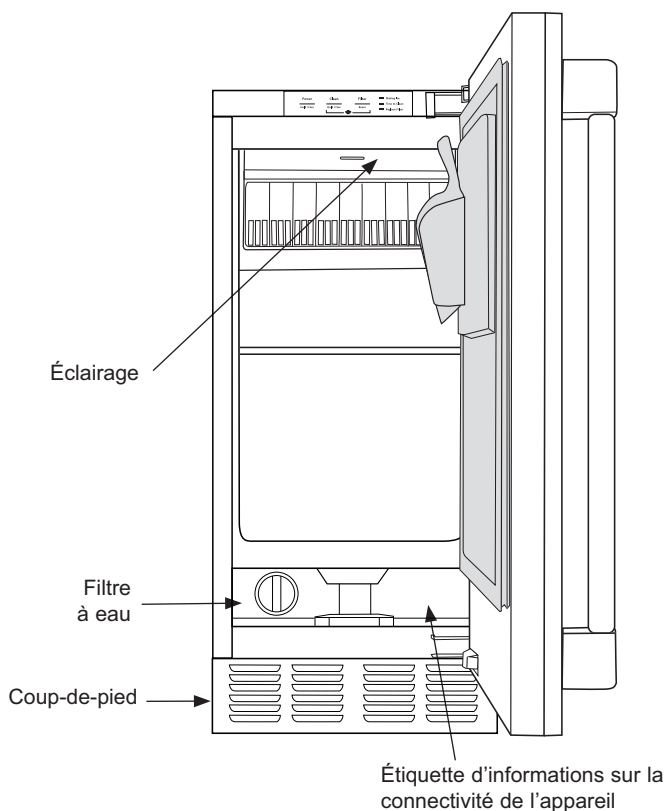
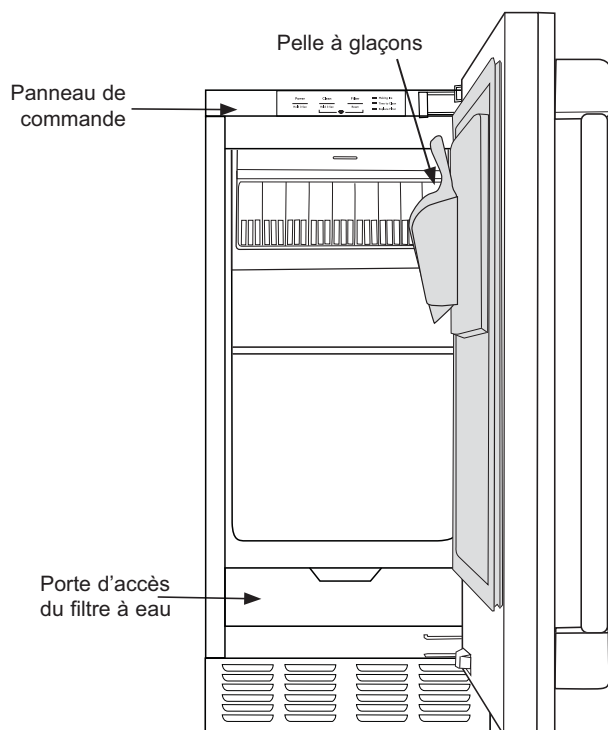
Il n'y a cependant aucune garantie qu'un brouillage nuisible

ne surviendra pas dans une installation donnée. Si cet équipement cause un brouillage nuisible sur votre poste radio ou de télévision, ce que vous pouvez déterminer en éteignant et en rallumant votre équipement, il est conseillé à l'utilisateur d'essayer de pallier ce brouillage nuisible en prenant l'une ou l'autre des mesures suivantes:

- Réorienter ou repositionner l'antenne de réception.
- Augmenter la distance entre l'équipement et le récepteur.
- Brancher l'équipement dans une prise d'un circuit qui diffère de celui auquel le récepteur est branché.
- Consulter le revendeur ou un technicien en radio-télévision expérimenté pour obtenir de l'aide.

Étiquetage: Les modifications non explicitement approuvées par le fabricant peuvent annuler le droit de l'utilisateur de se servir de cet équipement.

Fonctions

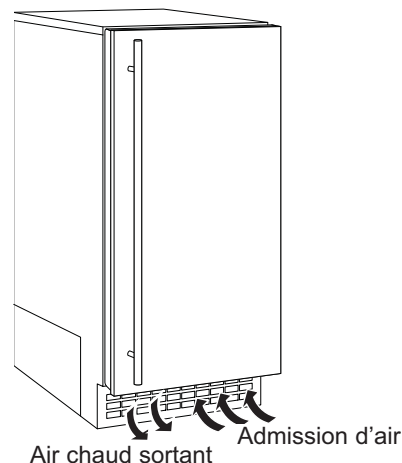


Démarrage de la machine à glaçons

Cette machine aspire l'air à température ambiante depuis sa face frontale inférieure droite et expulse l'air chaud depuis sa face frontale inférieure gauche. La restriction de la circulation d'air ou l'utilisation de la machine dans un environnement très chaud ou froid aura un effet négatif sur la production de glace.

Lorsque la porte est ouverte, le panneau de commande, la zone de la machine à glaçons et le bac de stockage de la glace sont visibles. La pelle est située sur un support sur l'intérieur de la porte.

Il s'agit d'un modèle à vidange par gravité qui doit être raccordé au drain du bâtiment sous le niveau du tube de vidange à l'arrière de l'armoire. Une pompe peut être installée qui peut forcer l'eau de vidange à monter un maximum de 3 mètres (10 pi), permettant de situer la machine là où une vidange par gravité n'est pas disponible. Voir la section **Accessoires** de la page 21 pour plus d'informations sur la pompe de vidange.



Démarrage initial

1. Ouvrez l'alimentation d'eau.
2. Mettez l'appareil sous tension.
3. Maintenez une pression sur Power durant 3 secondes pour démarrer la machine. Le voyant Making Ice va s'allumer.
4. L'eau commencera à circuler dans l'appareil. Lorsque le réservoir est plein, l'eau commence à se vidanger de la machine. Après quelques minutes, le compresseur, la pompe à eau et le moteur du ventilateur commencent à fonctionner tandis que démarre le premier cycle de

fabrication de glace. Au bout d'environ 30 minutes, les glaçons commenceront à se déposer dans le bac de conservation de la glace. La machine fabrique 24 glaçons à la fois. Il est normal que les premiers lots de glace fondent pendant que le bac se refroidit. Il faut 8 à 10 heures de fonctionnement continu pour remplir le bac à glaçons. Lorsque le bac à glaçons est plein, la machine s'éteint. Elle redémarre automatiquement lorsque le niveau de glaçons baisse en raison de l'usage ou de la fonte normale.

Jeter le premier lot de glace.

Instructions d'installation

MACHINE À GLAÇONS

Si vous avez des questions, appelez le 1.800.561.3344 ou visitez notre site Web à l'adresse : electromenagers.ca

MISE À LA TERRE DE LA MACHINE À GLAÇONS

⚠ AVERTISSEMENT



Risque de choc

électrique.

Le non-respect de ces instructions peut entraîner des risques d'incendies, des chocs électriques ou la mort.

Le cordon d'alimentation de cet appareil est équipé d'une fiche à trois broches (pour une mise à la terre) qui s'adapte à la prise de courant standard à 3 broches (pour une mise à la terre) pour minimiser les risques de chocs électriques par cet appareil.

Faites vérifier la prise murale et le circuit électrique par un électricien qualifié pour s'assurer que le système est correctement mis à la terre.

Dans le cas d'une prise biphasée, l'installateur a la responsabilité et l'obligation de la remplacer par une prise triphasée correctement mise à la terre.

NE COUPEZ PAS OU N'ENLEVEZ PAS, SOUS AUCUN PRÉTEXTE, LA TROISIÈME BROCHE DE MISE À LA TERRE DU CORDON D'ALIMENTATION.

N'UTILISEZ PAS UNE FICHE D'ADAPTATION POUR BRANCHER L'APPAREIL DANS UNE PRISE À DEUX FENTES.

N'UTILISEZ PAS UNE RALLONGE AVEC CET APPAREIL.

AVANT DE COMMENCER

Lisez ces instructions complètement et attentivement.

- **IMPORTANT** — Respectez tous les codes et règlements officiels. Conservez ces instructions pour utilisation éventuelle par un inspecteur local.
- **Note à l'installateur** – Assurez-vous de laisser ces instructions au consommateur.
- **Note au consommateur** – Conservez ces instructions pour référence future.
- **Niveau de connaissances** – L'installation de cet appareil requiert des connaissances de base en mécanique.
- **Temps requis** – IL'installation peut varier
Installation de la conduite d'eau : 30 minutes
- L'installateur est responsable de l'installation correcte
- Toute panne de cet appareil causée par une installation inadéquate n'est pas couverte par la garantie.

EMPLACEMENT ET PRÉPARATION DE LA MACHINE À GLAÇONS

Cette machine à glaçons est conçue pour un usage intérieur dans un environnement contrôlé.

Elle est constituée de deux systèmes principaux : le système de production de la glace et le système de conservation de la glace. La machine fabrique de la glace lorsque le niveau baisse et elle s'arrête lorsque qu'il est plein.

Le système de conservation de la glace consiste en une caisse isolée dont le fond comporte un drain pour évacuer la glace fondue. Il n'est pas réfrigéré car le bac contient de la glace fraîche.

Pendant la production, les glaçons se déposeront dans le bac à un taux irrégulier; peu de glace y sera parfois ajoutée, alors qu'à d'autres moments un groupe de glaçons y tomberont.

IMPORTANT: Le bac de conservation ne doit contenir rien d'autre que de la glace. Des objets tels que des bouteilles de vin ou de bière ne sont pas seulement insalubres, mais leurs étiquettes peuvent se détacher et obstruer le drain.

IMPORTANT: Ne laissez jamais la machine fonctionner sans la nettoyer régulièrement. Celle-ci durera plus longtemps si elle est tenue propre. Un nettoyage régulier devrait être effectué au moins une fois l'an, préférablement deux. Certaines conditions de l'eau pourront nécessiter le nettoyage plus fréquent de la section de production de glace, et du condensateur en présence de certains tapis ou animaux domestiques.

Spécifications

La machine à glaçons fonctionnera adéquatement dans les limites de température spécifiées mais elle procure son meilleur rendement entre 60 °F et 80 °F.

- Température d'eau minimale: 55°F (10°C)
- Température d'eau maximale 100°F (38°C)
- La température minimale de l'eau: 40°F (4.5°C)
- La température maximale de l'eau: 90°F. (32°C)
- Pression d'eau minimale: 30 psi (2.07 bar)
- Pression d'eau maximale: 120 psi (8.27 bar)

Limites de tension :

Voir la plaque signalétique à l'intérieur de la machine à glaçons.

Instructions d'installation

EMPLACEMENT ET PRÉPARATION DE LA MACHINE À GLAÇONS (SUITE)

Spécifications relatives à l'alimentation d'eau et aux conditions ambiantes

- Cette machine à glaçons doit être raccordée à une alimentation d'eau potable.

Toute eau contient certaines impuretés et minéraux, y compris l'eau potable fournie par les municipalités. L'eau absorbe les impuretés de l'air transportées par la pluie et/ou l'eau souterraine. Certaines impuretés sont des particules solides. On parle alors de solides en suspension et un filtre à particules fines va les retirer. D'autres impuretés sont liées chimiquement aux molécules d'eau et ne peuvent pas être filtrées. On parle alors de solides dissous.

La glace fabriquée par cette machine comportera une teneur minérale inférieure à celle de l'eau qui l'alimente. Cela s'explique par la méthode de fabrication de la glace. L'eau plus pure va geler en premier dans les moules à glaçons. L'explication tient au fait que toute matière dissoute dans l'eau abaisse la température à laquelle l'eau gèle. Il y a alors concentration de la plupart des impuretés dans le réservoir de la machine où elles forment des dépôts solides nommés tartre. La machine dilue la concentration des minéraux en ajoutant de l'eau dans le réservoir pendant le cycle de récolte des glaçons (excédentaire est vidangée vers le drain). La quantité d'eau utilisée varie selon les températures de l'air et de l'eau.

Certaines impuretés vont inévitablement subsister et adhérer aux pièces dans la machine. Il y aura alors déformation des glaçons. Éventuellement, le tartre accumulé risque de diminuer la durée de vie de la machine.

Pour assurer le bon fonctionnement de la machine, ces impuretés ou ces minéraux devront être dissous régulièrement à l'aide d'un nettoyant acide. Vous trouverez des directives à cet effet dans la section Entretien et nettoyage.

Cette machine peut recevoir de l'eau traitée par osmose inverse, à condition que sa conductivité soit d'au moins 10 microSiemens/cm. Un système d'osmose inverse doit inclure un post-traitement ou un brassage pour réduire l'agressivité de l'eau générée par O.I.

L'eau désionisée n'est pas recommandée car elle peut endommager la machine.

Étant donné que les adoucisseurs d'eau échangent un minéral pour un autre, la qualité de l'eau résultante ne convient pas nécessairement aux machines à glaçons.

- Pression d'eau minimale : 30 psi
- Pression d'eau maximale : 120 psi
- Température d'eau minimale : 40 °F
- Température d'eau maximale : 90 °F.

Cette machine à glaçons est conçue pour fonctionner dans une plage étendue de températures ambiantes, soit un minimum de 55 °F et un maximum de 100 °F.

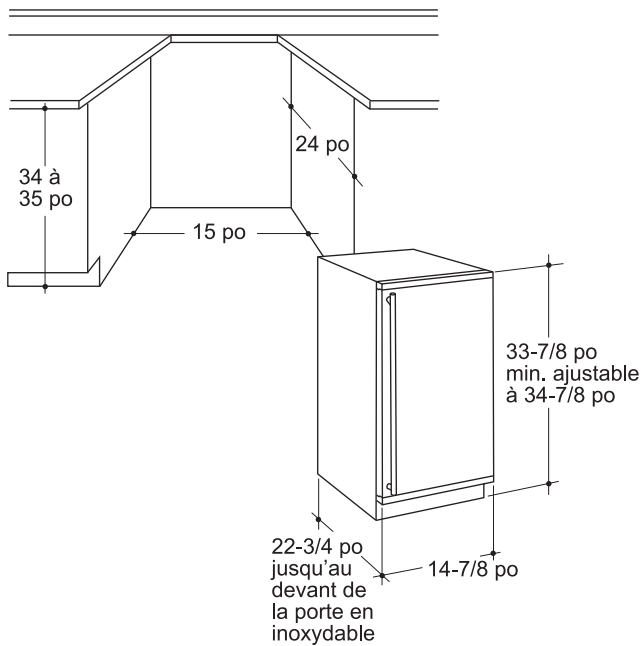
Même si la machine fonctionnera dans la plage des températures indiquées, son meilleur rendement se situe à des températures entre 50 et 60 °F pour l'eau, et entre 60 et 80 °F pour l'air.

Se servir de l'appareil au-delà des limites peut causer des problèmes non couverts par la garantie qui peuvent aller jusqu'au bris dans les cas extrêmes.

PLANIFICATION PRÉALABLE

ATTENTION En raison du poids important, **DEUX PERSONNES SONT NÉCESSAIRES POUR DÉPLACER ET INSTALLER** cette machine à glaçons. L'omission d'agir ainsi peut causer des blessures, notamment au dos.

Dimensions du produits et des découpes



Notes d'installation

Une pompe de vidange est offerte pour cette machine à glaçons. On peut se procurer l'ensemble de pompe de vidange numéro UPK4 sur le site GEApplianceparts.com ou en composant le **877-959-8688**. Au Canada, visitez le site ElectromenagersGE.ca ou composez le **800.561.3344**.

Installation intégrée : Si un plancher de finition doit être posé dans la zone où la machine à glaçons sera installée, un calage de l'épaisseur du plancher doit être prévu pour garder la machine au niveau du plancher.

REMARQUE : Le raccordement d'eau s'effectue à l'arrière et ajoute quelques centimètres à la profondeur de l'armoire.

Installation sur dalle : Vous devez installer une pompe de vidange sur l'appareil et pomper l'eau jusqu'au drain. Voir la section *Accessoires*. La pompe pourra pomper sur une hauteur d'un étage (3 m / 10 pi).

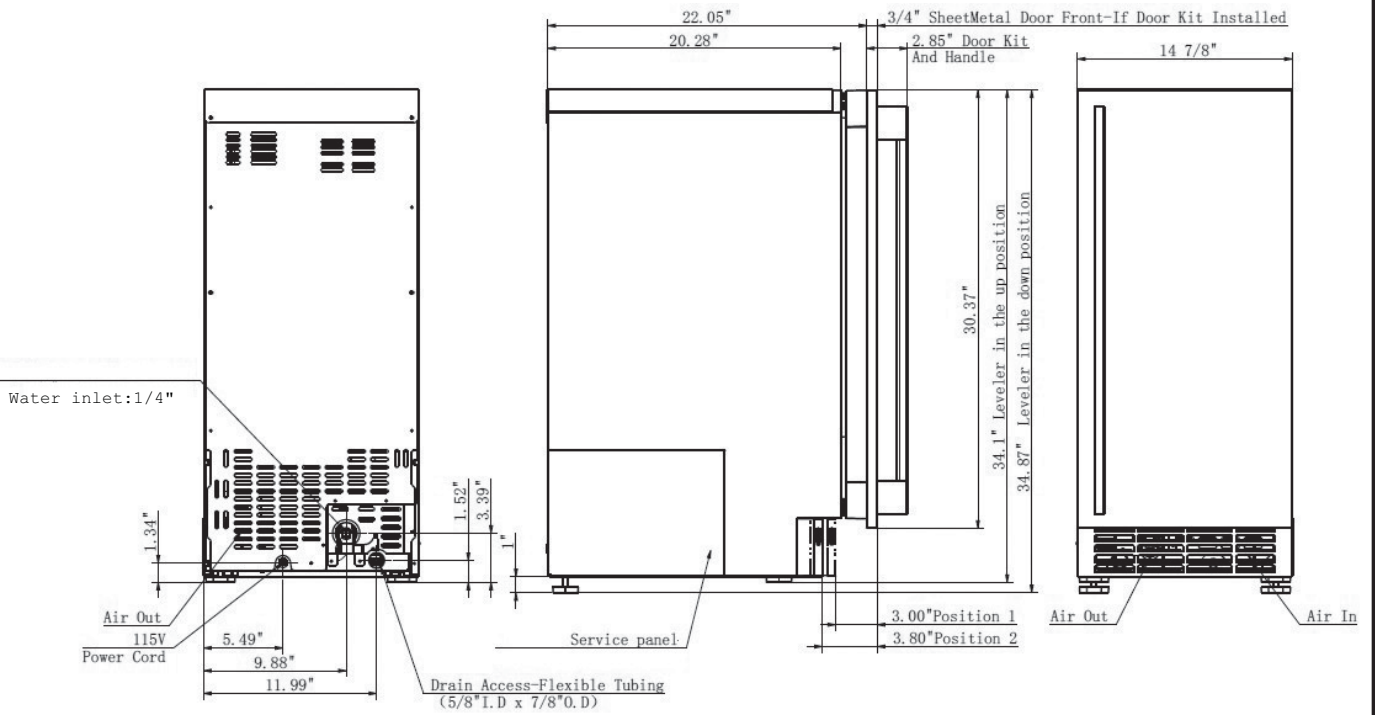
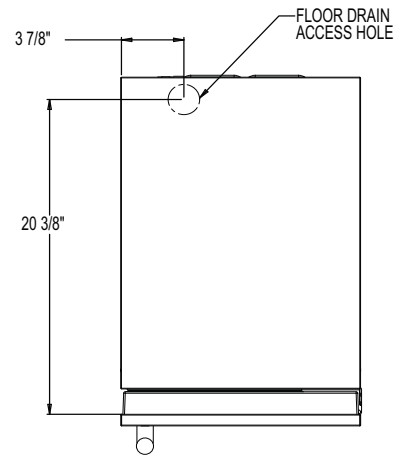
Installation au-dessus d'un vide sanitaire ou d'un sous-sol : Il faut utiliser soit un drain par gravité, soit une pompe. Pour la pompe, voir la section *Accessoires*. Si l'espace derrière la machine est insuffisant pour un orifice de vidange, le drain devra se situer sous le plancher.

REMARQUE : Lorsque installée dans un coin, l'ouverture de porte peut être limitée en raison du contact de la poignée sur le mur ou la face de l'armoire.

Une alimentation d'eau est requise. Celle-ci peut varier en contenu minéral. Une haute teneur en minéraux peut augmenter la fréquence des entretiens. La filtration de l'eau peut améliorer le goût de la glace et réduire l'accumulation minérale.

Instructions d'installation

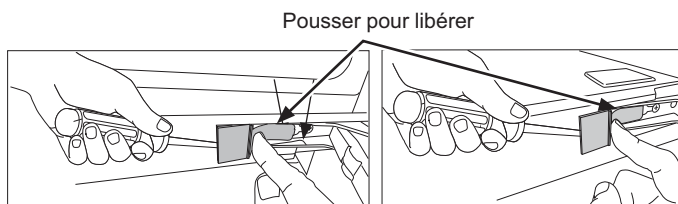
DIMENSIONS



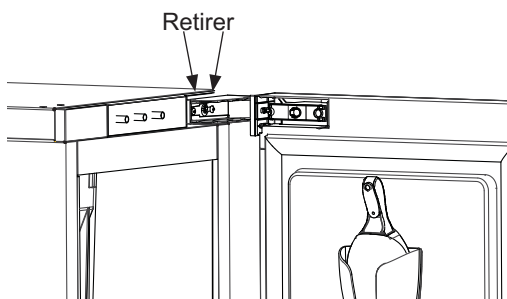
SENS D'OUVERTURE DE LA PORTE

Le déplacement des charnières permet d'ouvrir la porte depuis le côté gauche ou droit. Changez le sens d'ouverture AVANT de fixer le panneau de porte.

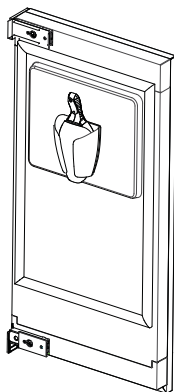
1. Retirez les couvercles des vis des charnières supérieure et inférieure pour accéder aux vis.



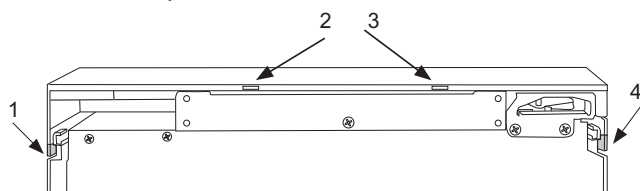
2. Retirez les vis de charnière (total de 4 pour la charnière du haut et du bas).



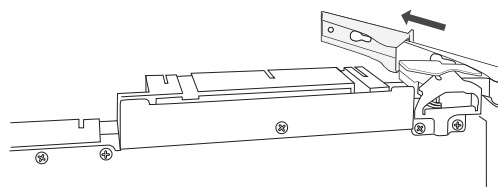
3. Retirez la porte.



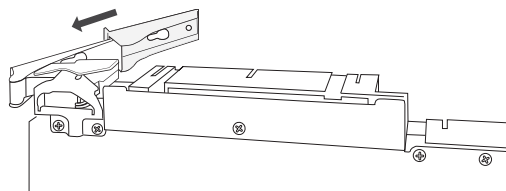
4. Retirez le joint d'étanchéité de la porte et la pelle à glaçons.
5. Utilisez un tournevis pour écrous à fente pour écarter les languettes sur le couvercle décoratif inférieur aux 4 endroits indiqués sur l'illustration.



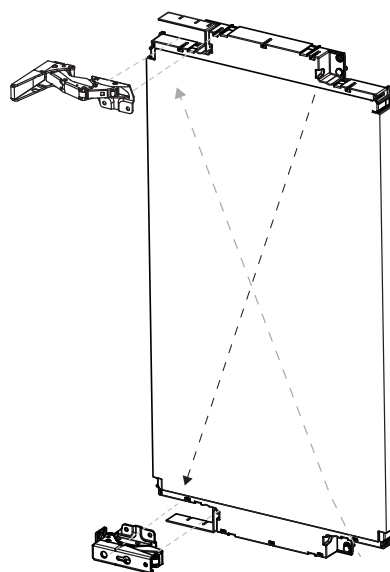
6. Utilisez un tournevis pour écarter les 4 boutons-pressions.
7. Retirez la charnière supérieure et son couvercle. Retirez le couvercle de charnière de la charnière.



8. Retirez la charnière de porte et son couvercle. Retirez le couvercle de charnière de la charnière.
9. Glissez le couvercle de la charnière supérieure d'origine sur la charnière inférieure d'origine et fixez cet assemblage en haut, du côté opposé à l'emplacement d'origine.



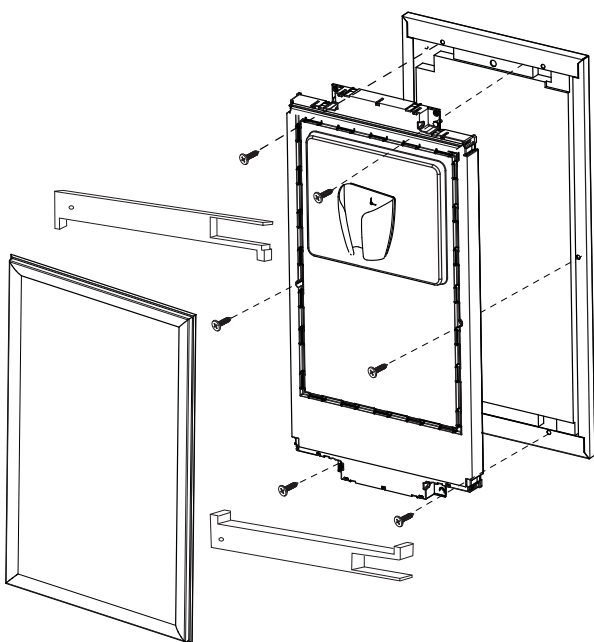
10. Glissez le couvercle de charnière supérieure d'origine sur la charnière inférieure d'origine et fixez cet assemblage dans le haut, sur le côté opposé à la position initiale.



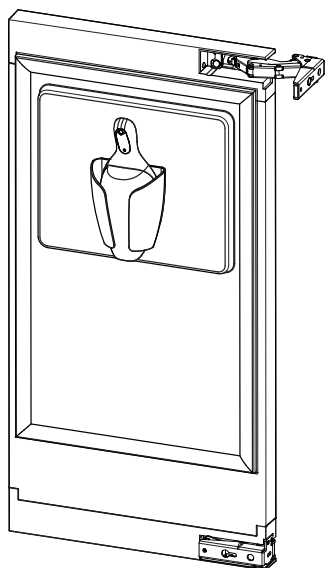
Instructions d'installation

SENS D'OUVERTURE DE LA PORTE (suite)

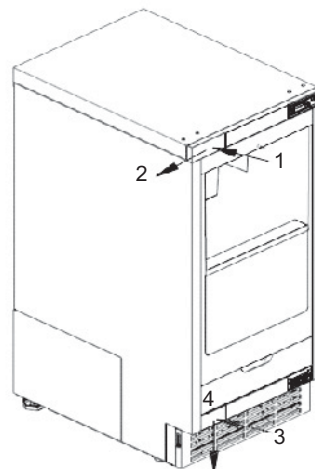
11. Retirez toute pellicule de protection en plastique du panneau de porte en acier inoxydable.
12. À l'aide d'un tournevis à pointe cruciforme, installez les six vis (fournis dans la trousse du panneau de porte) comme illustré sur l'illustration afin de fixer le panneau intérieur sur le panneau extérieur. Assurez-vous que la poignée est située du côté désiré.



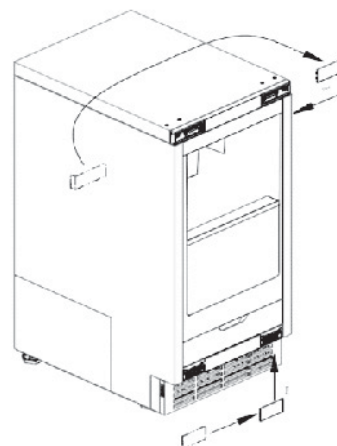
13. Faites pivoter le couvercle décoratif supérieur de 180 degrés et enclenchez-le dans la position inférieure. Faites pivoter le couvercle décoratif supérieur de 180 degrés et enclenchez-le dans la position inférieure.
14. Réinstallez le joint d'étanchéité de la porte et la pelle à glaçons.



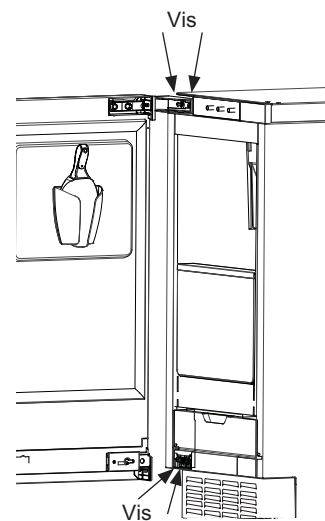
15. Retirez la plaque de charnière supérieure en la poussant et glissant vers l'extérieur, et la plaque de charnière inférieure en poussant fermement vers le bas comme illustré sur l'illustration.



16. Installez les plaques de charnière supérieure et inférieure sur le côté opposé.



17. Remettez le panneau de porte en place en installant les charnières supérieure et inférieure à l'aide des 4 vis.



INSTALLER LE PANNEAU DE PORTE

La machine à glaçons est livrée sans recouvrement de porte conventionnel pour permettre la fixation d'un panneau de porte ou d'un panneau personnalisé.

REMARQUE: S'il faut changer le sens d'ouverture de la porte, cela doit se faire **avant** de fixer le panneau de porte.

Panneau de porte

Des panneaux de porte finis avec poignées sont offerts par GE Appliances pour fixation sur la machine à glaçons. Voir la section **Accessoires** à la page 21.

Un panneau personnalisé en bois ou un autre matériau n'excédant pas 15 lb (6,8 kg) peut être utilisé à condition de respecter les directives suivantes:

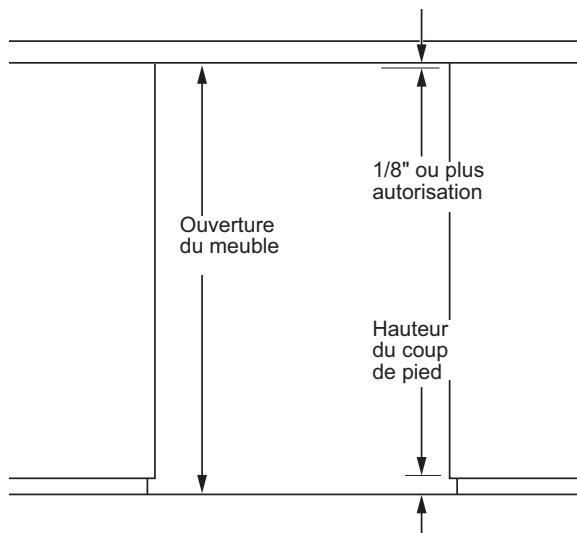
Largeur: 14 7/8 po

Hauteur: entre 29 5/8 et 30 5/8 po

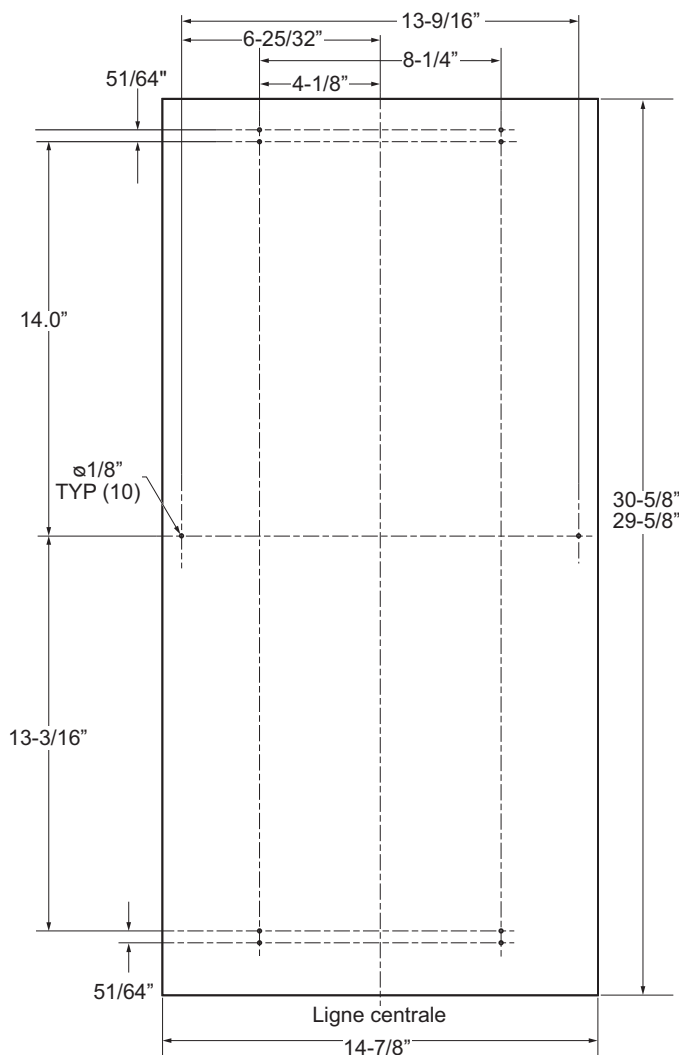
Épaisseur: 5/8 à 3/4 po

Pour un panneau personnalisé:

1. Placez le panneau dans l'ouverture et mettez-le de niveau en réglant les pieds de nivellement.
2. Si le panneau personnalisé doit se prolonger au-dessus du panneau de porte intérieur pour égaler un panneau de l'autre côté, mesurez de combien. Notez que le dégagement entre le haut du panneau et le comptoir doit être d'au moins 1/8 po.
3. Enlevez la porte en retirant quatre (4) vis de charnière.
4. Coupez le panneau à la largeur spécifiée et la hauteur désirée.



5. Mettez le panneau sur une surface et alignez la porte sur le haut du panneau de façon à le placer selon la mesure de l'étape 2. Les côtés du panneau doivent s'aligner sur les côtés de la porte.
6. Marquez les emplacements d'au moins quatre (4) trous dans le haut et le bas. Retirez la porte puis mesurez et marquez les autres trous selon le schéma.
7. Percez des trous de guidage sur l'arrière du panneau aux emplacements des marques. Utilisez une butée de perçage pour éviter de percer à travers le panneau.



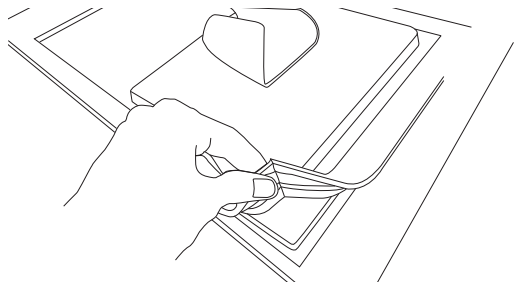
Instructions d'installation

INSTALLER LE PANNEAU DE PORTE (suite)

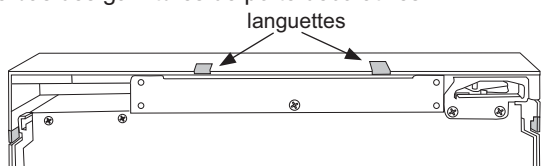
S'il faut changer le sens d'ouverture de la porte, veuillez compléter cette étape avant d'installer le panneau de porte. Voyez la page 13. Selon la trousse de porte qui est installée, il vous faudra peut-être déplacer la poignée de porte si le sens d'ouverture est changé. Voyez les instructions de la page 18 sur la façon de déplacer la poignée.

Fixation du panneau de la porte

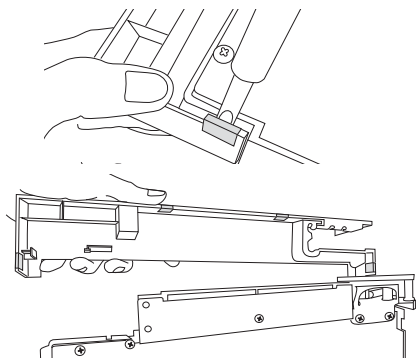
1. Retirez le joint d'étanchéité de l'intérieur de la porte et conservez-le pour utilisation ultérieure.



2. Repérez les quatre (4) languettes à dégager dans le haut et le bas des garnitures de porte décoratives.

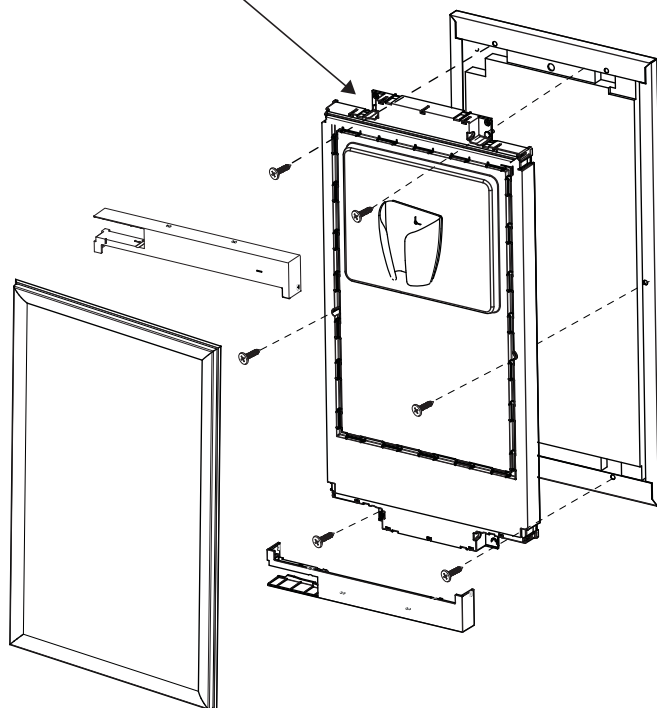
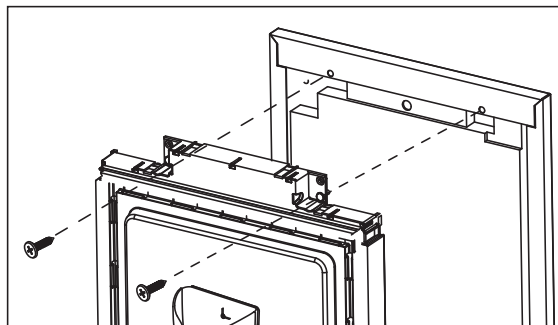


3. Dégagez chaque languette et tirez la garniture vers le bas (voir l'illustration); répétez pour toutes les garnitures.



4. Retirez toute pellicule de protection en plastique du panneau de porte en acier inoxydable.
5. Placez le panneau de porte sur l'extérieur de la porte et fixez-le à l'aide de six (6) vis de mécanique. (Fournies avec la trousse de panneau de porte)

6. Réengagez les garnitures supérieure et inférieure sur le panneau intérieur.
7. Réinstallez le joint d'étanchéité de la porte.



INSTALLER LE PANNEAU DE PORTE (suite)

⚠ AVERTISSEMENT

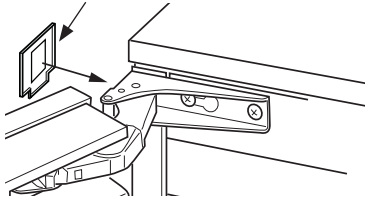


Risque de pincement de doigts

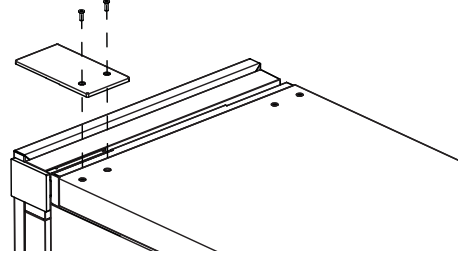
Une installation incorrecte peut présenter un risque de coincement de doigts près de la charnière en manipulant la porte. Si l'installation ne s'effectue pas sous le comptoir, suivre les instructions d'installation. Un dispositif de protection est fourni pour limiter l'accès à la charnière de porte.

- Fixez les couvercles latéraux (fournis dans le sac de quincaillerie) sur les charnières en retirant la doublure de la surface adhésive puis appuyez celle-ci contre le côté de la charnière. **Remarque:** Si la machine est encastrée, on peut insérer une vis dans la carrosserie au lieu d'installer les couvercles latéraux.

couvercles latéraux



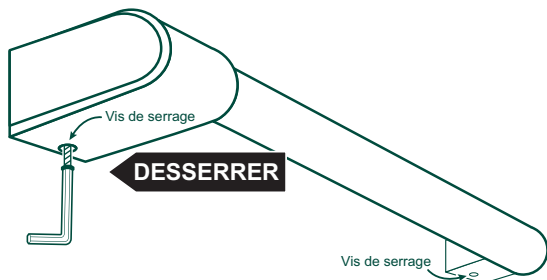
- Si la machine n'est pas encastrée, fixez le couvercle de charnière supérieure (du sac de quincaillerie) à l'aide des deux (2) vis fournies.



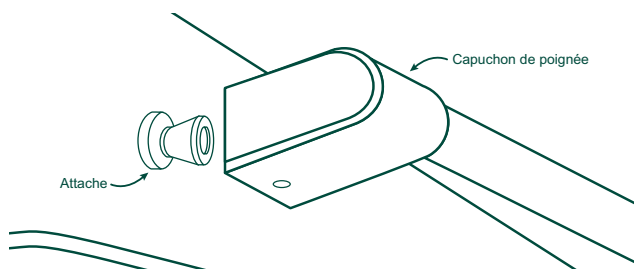
Instructions d'installation

INSTRUCTIONS RELATIVES À L'INVERSION DE LA POIGNÉE

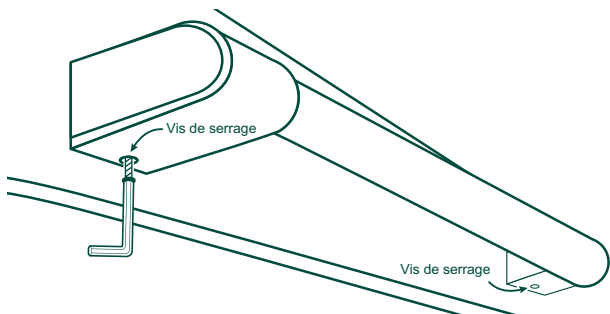
1. Retirer la clé hexagonale de l'enveloppe de la trousse de visserie pour installation du panneau.
2. Desserrer la vis de serrage à l'aide de la clé hexagonale. Enlever la poignée et l'inverser de façon que le logo soit face à l'autre côté.



3. Placer les capuchons de poignée sur les fixations de la porte. Veiller à supporter la poignée car elle pourrait tomber et rayer le fini de l'électroménager. S'assurer que les deux capuchons de poignée reposent sur la face de la porte.



4. Verrouiller une extrémité de la poignée en position en serrant la vis de serrage à l'aide de la clé hexagonale fournie. NE PAS serrer excessivement.



5. Continuer de supporter la poignée pour verrouiller l'autre extrémité de la poignée en serrant la vis de serrage dans le capuchon de poignée. NE PAS serrer excessivement.

PLOMBERIE – POMPE DE VIDANGE

Installation du système de vidange

Une pompe de vidange est offerte pour cette machine à glaçons. On peut se procurer l'ensemble de pompe de vidange numéro UPK4 sur le site **GEApplianceparts.com** ou en composant le 877-959-8688. Au Canada, visitez le site **ElectromenagersGE.ca** ou composez le 800.561.3344.

PLOMBERIE – VIDANGE PAR GRAVITÉ

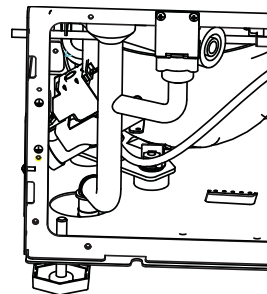
Installation du système de vidange

⚠ AVIS

Des limitations du système de vidange peuvent causer un retour d'eau dans le bac de conservation de la glace et faire fondre celle-ci. La tubulure du système de vidange par gravité doit être ventilée, être exempte de plis et pencher vers le drain du bâtiment. Des coupures antirefoulement sont généralement requises par les codes locaux.

A : Drain de plancher sous l'appareil

1. Placez la machine à glaçons devant l'ouverture d'installation. Réglez les pieds de mise à niveau à la hauteur appropriée.
2. Retirez le panneau d'accès gauche (en faisant face au produit) du raccord de vidange.
3. Retirez le couvercle/bouchon en plastique du plateau de base de l'appareil.
4. Retirez le collier et faites tourner le coude cannelé sur le tube de vidange de façon qu'il s'écoule à travers le plateau de base jusqu'au drain de plancher. Fixez de nouveau le collier.

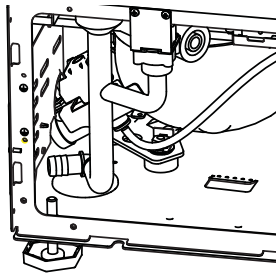


5. Réinstallez les panneaux d'accès.
6. Tout en essayant de placer le drain de l'appareil aussi près que possible du drain de plancher, poussez délicatement l'appareil en place.

PLOMBERIE - VIDANGE PAR GRAVITÉ (cont)

B : Drain de plancher décalé sur le côté ou l'arrière de l'appareil (pas directement sous l'appareil)

1. Placez la machine à glaçons devant l'ouverture d'installation. Réglez les pieds de mise à niveau à la hauteur appropriée.
2. Retirez le panneau d'accès gauche (en faisant face au produit) du raccord de vidange.
3. Faites passer le tuyau Tygon 5/8 po (D.I.) x 7/8 po (D.E.) (plastique transparent) à travers le trou du panneau arrière inférieur. Raccordez le tuyau au coude cannelé et fixez à l'aide d'un collier.
REMARQUE : La tuyauterie et le collier ne sont pas inclus et doivent être achetés séparément.
4. Veillez à mesurer la quantité de tuyaux nécessaire pour atteindre le drain de plancher et coupez à la longueur souhaitée. **REMARQUE** : Assurez-vous que la longueur de tuyaux est suffisante pour atteindre le drain, mais sans surplus pour éviter la formation de plis et de tassement lorsque l'unité est mise en place.



5. Réinstallez les panneaux d'accès.

Alimentation d'eau

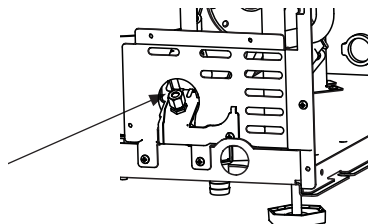
Le tuyau d'alimentation d'eau recommandé est la pièce numéro WX08X10006G que l'on peut se procurer sur GEApplianceparts.com ou en composant le 877-959-8688. Au Canada visitez le site GEAppliances.ca ou composez le 800.561.3344.

Installez un robinet d'arrêt facilement accessible entre l'alimentation d'eau et la machine. Ce robinet d'arrêt ne doit pas être installé derrière la machine.

Le raccord d'eau est situé derrière la machine.

Pour une installation encastrée: Enroulez suffisamment de tuyau derrière la machine afin que celle-ci puisse être poussée dans la cavité sans plier le tuyau.

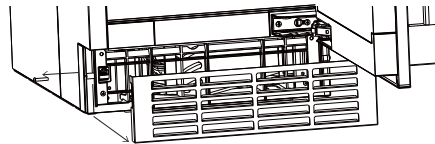
Connectez l'alimentation en eau ici.



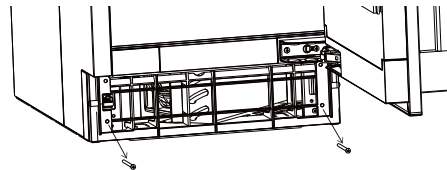
EMPLACEMENT DU COUP-DE-PIED

Le coup-de-pied peut s'ajuster pour mieux s'aligner sur vos armoires. À la livraison, il est installé dans position intérieure. Pour déplacer le coup-de-pied dans la position extérieure:

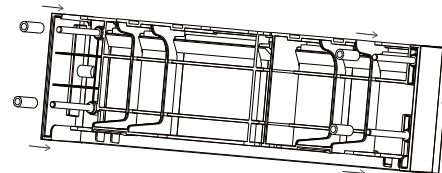
1. Desserrez les vis des deux côtés tel qu'illustré pour retirer le coup-de-pied métallique.



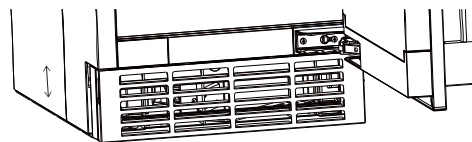
2. Desserrez les 2 vis longues sur le devant et retire le cadre en plastique.



3. Insérez les manchons (fournis dans le sac de documentation) sur les 2 tiges et installez 2 vis sur l'arrière du cadre comme illustré.



4. Réinstallez le cadre en plastique à l'aide des 2 vis longues.
5. Réinstallez le coup-de-pied métallique à l'aide des 2 vis sur le côté. Le coup-de-pied peut être ajusté vers le haut ou le bas à la position désirée.



Instructions d'installation

Installation de la trousse de pompe de vidange UPK4 en accessoire.

AVANT DE COMMENCER

Veuillez lire toutes ces instructions attentivement.

- **IMPORTANT** — Conservez ces instructions à l'usage de l'inspecteur local.
- **IMPORTANT** — Observez tous les codes et décrets en vigueur
- **Note à l'installateur** — Assurez-vous de laisser ces instructions au consommateur.
- **Note au consommateur** — Conservez ces instructions pour consultation ultérieure.
- **Niveau de compétence** — L'installation de cet appareil exige des compétences de base en mécanique.
- La responsabilité d'une installation adéquate relève de l'installateur.
- La garantie ne couvre pas les défauts du produit causés par une installation inadéquate.

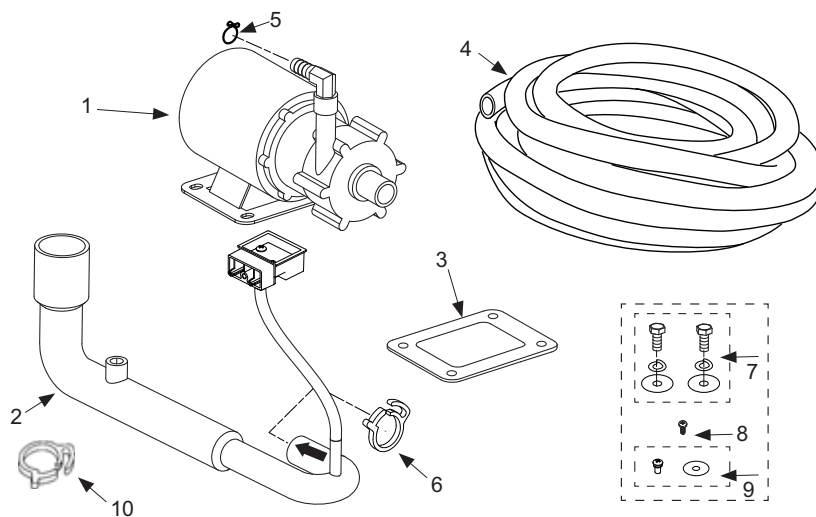
CE DONT VOUS AUREZ BESOIN :

- Clé ouverte/polygonale 3/8 po ou clé réglable
- Tournevis Phillips no 2
- Pince à joint coulissant
- Pince coupante de côté

NOTA : Cette pompe peut être installée dans une machine produisant des glaçons en cubes ou de pépites.

L'ENSEMBLE COMPREND :

- 1 - Ensemble pompe de vidange et clapet antiretour (1)
- 2 - Ensemble tuyau de vidange PVC blanc et capteur de pression (1)
- 3 - Coussinet en caoutchouc (pour montage de pompe) (1)
- 4 - Tuyau de vidange transparent (1)
- 5 - Bride métallique (pour tuyau transparent) (1)
- 6 - Anneau de retenue en plastique (1)
- 7 - Boulons de fixation de la pompe (2); rondelle frein (2); rondelle plate (2)
- 8 - Vis du boîtier du capteur de pression (ST/4*12) (1)
- 9 - Vis de terre avec rondelle (M/4*8) (1); rondelle frein (1)
- 10 - Petit anneau de retenue en plastique (dans certains ensembles)



Instructions d'installation

Installation de la trousse de pompe de vidange UPK4 en accessoire. (suite)

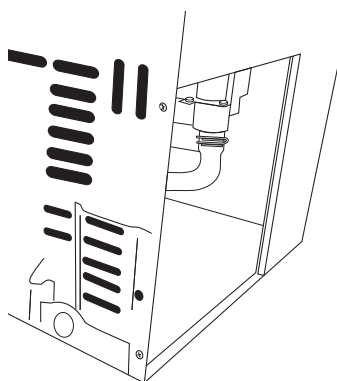
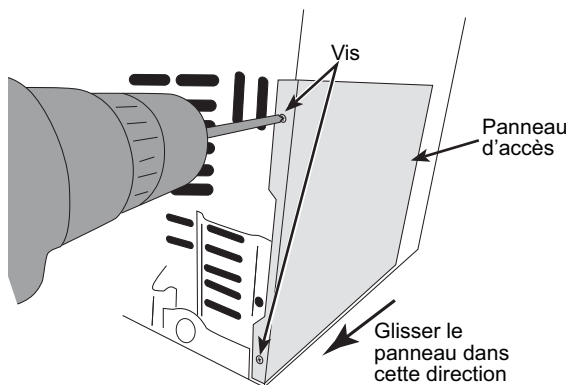
1 DÉBRANCHER L'ALIMENTATION ÉLECTRIQUE

⚠ AVERTISSEMENT Risque d'électrocution

- L'omission d'observer ces instructions peut causer des blessures sévères, voire fatales.
- L'appareil doit être réparé par un technicien qualifié seulement.
- Débranchez l'alimentation électrique avant de réparer ce produit.
- Rebranchez tous les dispositifs de mise à la terre après la réparation.
- Remettez en place toutes les pièces et tous les panneaux avant l'utilisation.

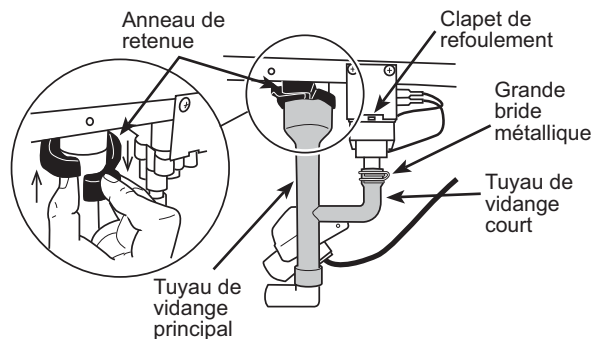
1 RETIRER LE PANNEAU D'ACCÈS

- Utilisez une perceuse ou un tournevis à pointe cruciforme pour retirer les 2 vis du panneau d'accès comme illustré sur la figure ci-dessous. Glissez le panneau dans la direction indiquée pour le retirer.

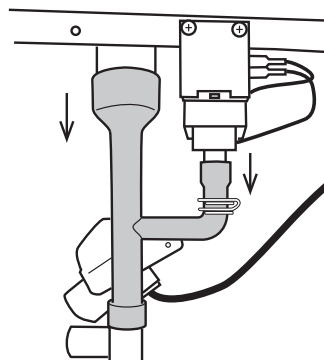


2 RETIRER LE TUYAU DE VIDANGE

- Retirez l'anneau de retenue en plastique du tuyau de vidange blanc. Écartez les côtés de l'anneau en sens opposés comme illustré pour déverrouiller et retirer. Conservez l'anneau.

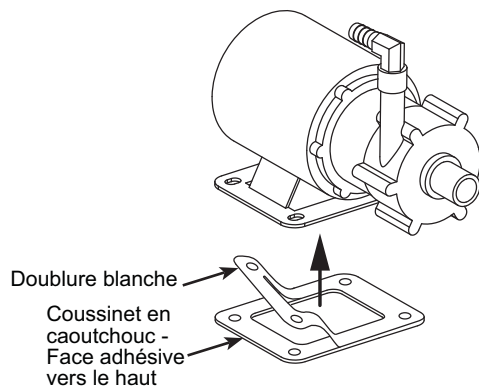


- Retirez le tuyau de vidange blanc en le tirant vers le bas depuis les 2 endroits indiqués.



3 INSTALLER LE COUSSINET EN CAOUTCHOUC SUR LA NOUVELLE POMPE

- Retirez la doublure blanche du coussinet en caoutchouc rectangulaire et apposez la face adhésive sur la pompe de vidange.

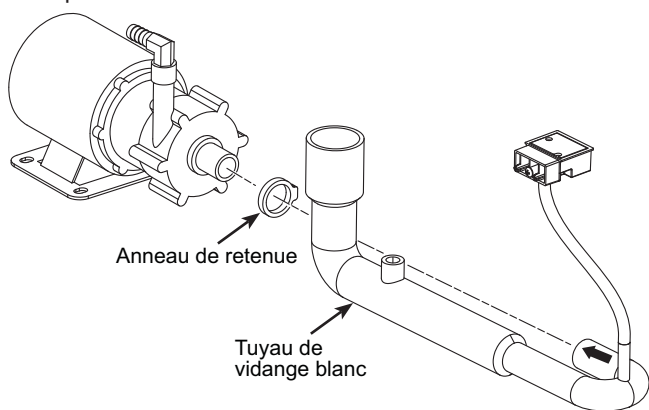


Instructions d'installation

Installation de la trousse de pompe de vidange UPK4 en accessoire. (suite)

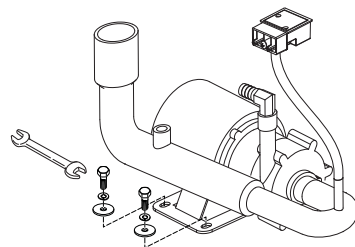
4 INSTALLER LE NOUVEAU TUYAU DE VIDANGE

- Installez le nouveau tuyau de vidange blanc (dans les accessoires) sur la pompe de vidange et fixez-le avec l'anneau de retenue inclus dans l'ensemble. Assurez-vous que le côté avec la flèche est orienté vers le haut pendant l'installation.



5 INSTALLER LA POMPE DE VIDANGE (suite)

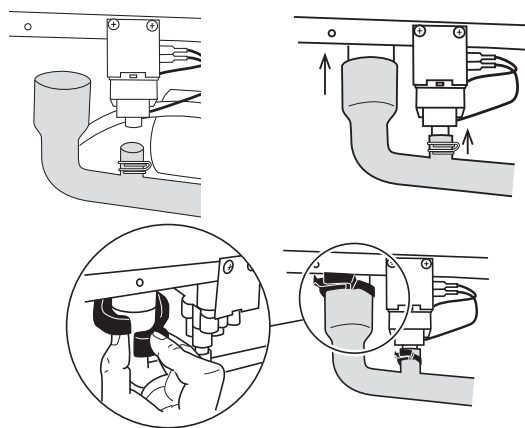
- À l'aide d'une clé et de la visserie fournie, fixez la pompe sur le plancher de la machine à glaçons.



6 RACCORDER LA POMPE DE VIDANGE À LA MACHINE À GLAÇONS

Pour la trousse de pompe sans petit anneau de retenue en plastique (article 10 de la liste des articles de l'ensemble de pompe).

- Conservez le grand anneau de retenue en plastique et la petite bride métallique de l'assemblage de tube d'origine.
- Faites glisser la petite bride métallique sur le tube de vidange court du tuyau en PVC, comme indiqué sur l'image ci-dessous. Poussez le tuyau vers le haut pour connecter les deux tuyaux aux raccords de la machine à glaçons que vous avez précédemment débranchée. Enclenchez et fixez le grand anneau de retenue et serrez sur la connexion du tube de vidange principal. Faites glisser la petite bride métallique vers le haut au niveau de la connexion.

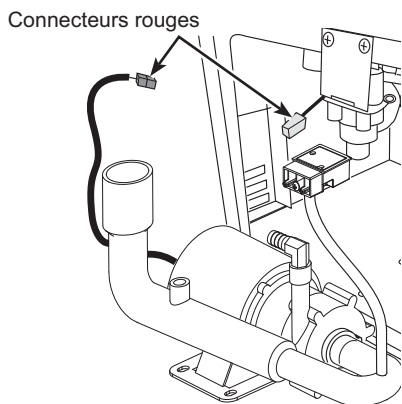


Pour l'ensemble de pompe livré avec un petit anneau de retenue en plastique (article 10 dans la liste de l'ensemble de pompe).

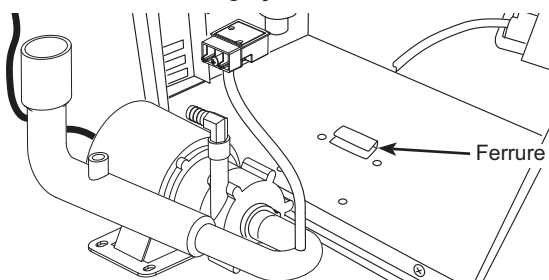
- Conservez le grand anneau de retenue en plastique de l'assemblage de tube d'origine et prenez le petit anneau de retenue en plastique de l'emballage de la pompe.
- Poussez le tuyau en PVC vers le haut pour connecter les deux tuyaux aux raccords de la machine à glaçons que vous avez précédemment débranchée. Enclenchez et fixez les 2 anneaux de retenue en plastique, un grand et un petit, sur les connexions et serrez sur le tube de vidange.

5 INSTALLER LA POMPE DE VIDANGE

- Insérez le connecteur rouge de la pompe sur le connecteur rouge qui est visible sur le fil à l'intérieur de la machine à glaçons.



- Glissez la pompe de vidange dans la machine à glaçons de façon que sa base glisse en dessous de la ferrure sur le plancher de la machine à glaçons. Le devant de la pompe (avec le tuyau fixé) sera face au devant de la machine à glaçons.

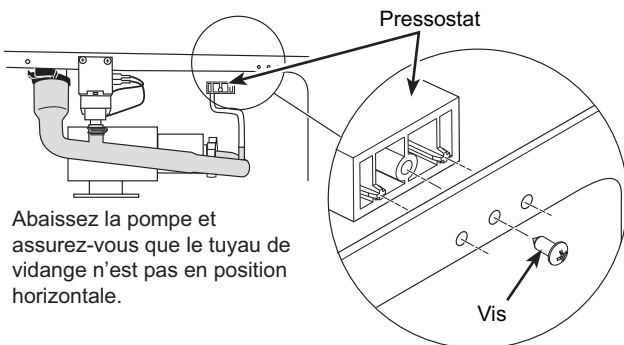
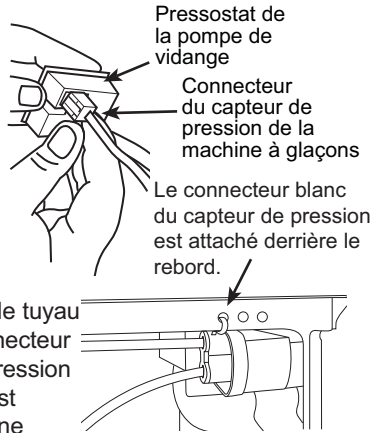


Instructions d'installation

Installation de la trousse de pompe de vidange UPK4 en accessoire. (suite)

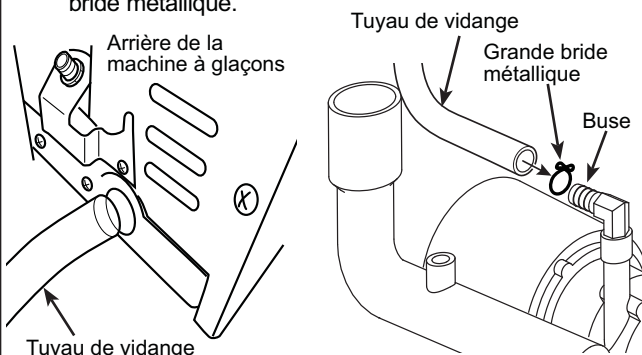
6 RACCORDER LA POMPE DE VIDANGE À LA MACHINE À GLAÇONS (suite)

- Repérez le connecteur mâle du capteur de pression blanc à 4 broches derrière le trou du support, desserrez l'attache de câble et connectez la « queue-de-cochon » (pig tail) au capteur de pression situé sur le tuyau de vidange. Si le connecteur mâle du capteur de pression blanc à 4 broches n'est pas visible dans la zone de l'ouverture d'accès, repérez le connecteur dans la zone du compartiment de la machine à proximité, et branchez-le au capteur de pression sur le tuyau de vidange. Le connecteur mâle à 4 broches à l'intérieur de la machine à glaçons correspond au connecteur femelle à 4 broches du capteur de pression. Remarque : Le connecteur jaune à l'intérieur de la machine à glaçons ne doit pas être utilisé.



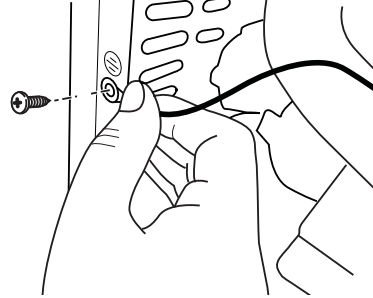
Fixez le pressostat dans les 3 trous du rebord de la machine, comme illustré, à l'aide de la vis fournie dans l'ensemble.

- Rentrez le tuyau de de vidange dans le trou rond à l'arrière de la carrosserie de la machine et fixez-le sur la buse dans le haut de la pompe à l'aide de la grande bride métallique.



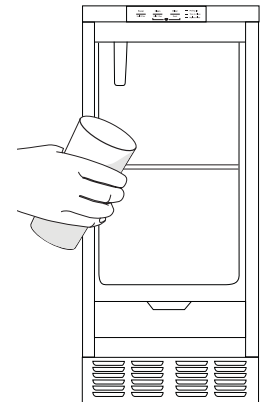
6 RACCORDER LA POMPE DE VIDANGE À LA MACHINE À GLAÇONS (suite)

- IMPORTANT** Mettez la pompe à la terre sur la carrosserie de la machine à l'aide du fil de terre vert et de sa vis. Le trou de mise à la terre est identifié du symbole de mise à la terre.



7 VÉRIFIER LE FONCTIONNEMENT DE LA POMPE (NE SAUTEZ PAS CETTE ÉTAPE)

- Rétablissez l'alimentation électrique à l'appareil.
- Versez plusieurs pintes d'eau dans le bac, la pompe de vidange devrait s'allumer et pomper l'eau du bac automatiquement, en faisant plusieurs fois des cycles de marche et d'arrêt normaux pendant le processus. Vérifiez les connexions si la pompe n'a pas répondu.
- Pendant que la pompe vidange l'eau, VÉRIFIEZ ATTENTIVEMENT QUE L'ENSEMBLE DU SYSTÈME DE VIDANGE EST EXEMPT DE FUITES.



8 TERMINER L'INSTALLATION

- Réinstallez tous les panneaux et couvercles.
- Réinstallez l'appareil dans son armoire ou en position indépendante. ASSUREZ-VOUS QU'AUCUN PLI NE RESTREINT LE TUBE D'ADMISSION D'EAU OU LE TUYAU DE VIDANGE. Vérifiez doublement l'absence de fuites!
- Rétablissez l'alimentation en eau potable et redémarrez l'appareil. Assurez-vous du bon fonctionnement de l'appareil et de l'absence de fuites dans le système.

GSWF filtre à eau

Cartouche de filtre à eau

Le filtre à eau à cartouche est située dans le bas de la machine à glaçons, derrière la porte d'accès du filtre à eau.

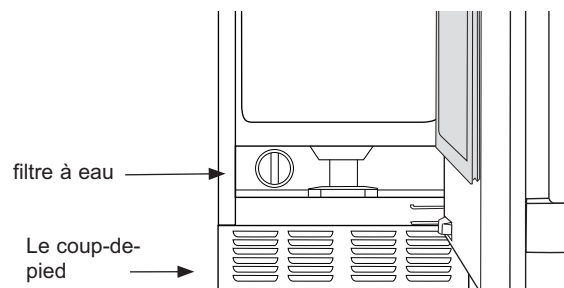
Quand remplacer le filtre à eau à cartouche

Le voyant Replace Filter (remplacer le filtre) va s'allumer lorsqu'il sera temps de commander un filtre. Cela surviendra au bout d'environ 5 mois, ou plus tôt si la consommation de glace a été élevée. Pour commander des filtres à cartouche supplémentaires, visitez le site gewaterfilters.com ou contactez le service des Pièces et accessoires de GE Appliances au 877.959.8688 et commandez le filtre GSWF.

Le voyant Replace Filter va clignoter lorsqu'il sera temps de remplacer le filtre. Cela surviendra au bout d'environ 6 mois, ou plus tôt si la consommation de glace a été élevée.

Remplacement du filtre

1. Assurez-vous que l'alimentation électrique est coupée en vérifiant que la lampe des glaçons est éteinte.
2. Ouvrez la porte d'accès du filtre à eau en tirant le haut de la porte jusqu'à ce qu'il bascule.
3. Agrippez le filtre avec soin et tournez-le lentement vers la gauche sur environ $\frac{1}{4}$ de tour jusqu'à ce que vous puissiez le sortir. Une petite quantité d'eau pourrait dégoutter du filtre.



Bouchon de dérivation du filtre

Si un filtre à cartouche de rechange n'est pas disponible, un bouchon de dérivation peut être utilisé pour faire fonctionner la machine à glaçons. Pour obtenir un bouchon de dérivation de filtre, composez 800.GECARES et demandez la pièce WR02X11613. Au Canada, composez le 800.561.3344. Vous devez retirer le panneau latéral gauche pour installer le bouchon de dérivation de filtre. Assurez-vous de débrancher la machine avant d'installer le bouchon de dérivation.

Installation du filtre

1. Ouvrez la porte d'accès du filtre à eau en tirant le haut de la porte jusqu'à ce qu'il bascule.
2. Insérez le filtre jusqu'à ce qu'il s'aligne sur le boîtier de filtre.
3. Tournez lentement le filtre vers la droite jusqu'à ce qu'il s'arrête. **NE SERREZ EXCESSIVEMENT.** Le filtre s'ajustera automatiquement à sa position à mesure que vous le tournez. Le filtre aura tourné sur environ $\frac{1}{4}$ de tour (90 degrés) une fois dans la bonne position.
4. Refermez avec soin la porte d'accès du filtre jusqu'à ce qu'elle s'enclenche en place.
5. Pressez le bouton Filter Reset (réinitialisation du filtre) pour remettre la minuterie du filtre à zéro.

Pour toute question ou pour commander des filtres à eau à cartouche de rechange, visitez notre site www.gewaterfilters.com ou composez le 877.959.8688 pour joindre le service des Pièces et accessoires de GE Appliances.

Entretien et nettoyage (suite)

Nettoyage de l'extérieur

Vous pouvez nettoyer la porte et la poignée en acier inoxydable à l'aide d'un nettoyant pour inox commercial. Les nettoyants qui contiennent de l'acide oxalique tels que Bar Keepers Friend Soft Cleanser™ vont éliminer la rouille, le ternissement et les petites taches.

Utilisez uniquement un nettoyant liquide exempt d'abrasif et frottez dans la direction des lignes de brosse à l'aide d'une éponge douce humide. N'utilisez pas de cire ou de produit à polir pour électroménagers sur l'acier inoxydable.

Nettoyage du condensateur

⚠ AVERTISSEMENT **Risque d'électrocution**

Pour éliminer le risque d'électrocution ou de blessures, vous devez d'abord débrancher la machine à glaçons avant de procéder. Le défaut d'observer ces instructions peut occasionner une électrocution ou des blessures.

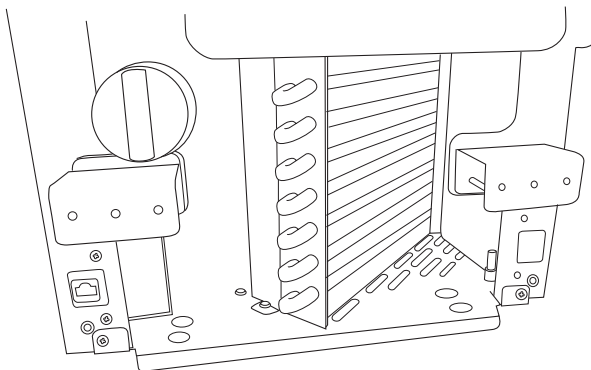
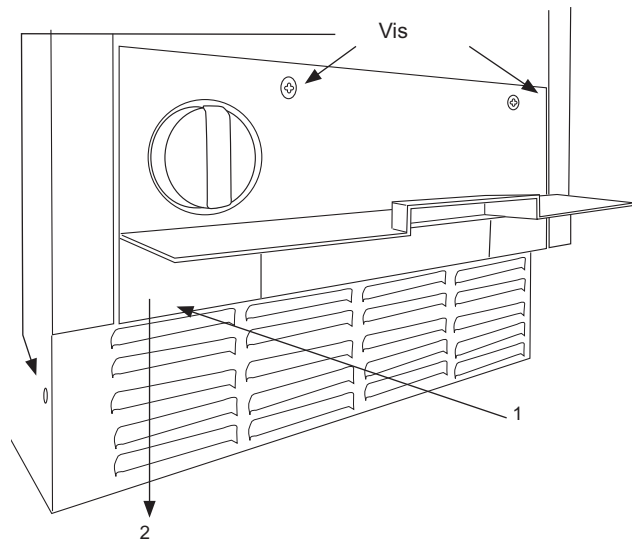
Le condensateur est constitué d'ailettes et de tubes que la saleté et la charpie peuvent obstruer.

Pour nettoyer:

1. Débranchez la machine à glaçons.
2. Retirez le coup-de-pied en retirant 2 vis sur les côtés de la grille métallique et 2 vis sur le devant du coup-de-pied. Tirez le coup-de-pied vers l'avant pour le retirer. Pour accéder au dessus du condensateur, enlevez la porte en retirant les charnières. Ouvrez la porte d'accès du filtre à eau et retirez 2 vis du couvercle de filtre. Retirez le couvercle de charnière du côté opposé de la charnière en pressant fermement vers l'intérieur puis glissant vers le bas. Tirez le couvercle de filtre vers l'avant pour le retirer.
3. Passez l'aspirateur sur la surface pour enlever toute saleté et charpie.

⚠ AVIS **Ne cabossez pas les ailettes.**

4. Réinstallez le couvercle de filtre, le coup-de-pied et la porte.



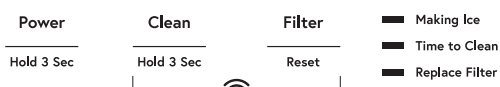
Entretien et nettoyage

MODÈLE UCC15NP*

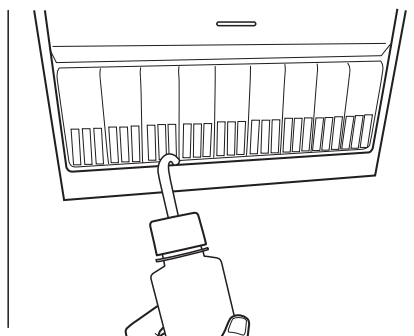
Le nettoyage de la machine à glaçons nécessite d'y ajouter un nettoyant.

Vous devez utiliser des gants en caoutchouc pour manipuler le produit antitartre. Pour commander le nettoyant, allez sur GEApplianceParts.com ou composez le 877-959- 8688. Commandez la pièce numéro WX01X40745.

1. Versez 3 onces (89 ml) de nettoyant dans la bouteille à jet.
2. Si l'appareil est allumé, maintenez une pression sur le bouton Power (marche/arrêt) durant 3 secondes. La lampe de la machine à glaçons clignotera jusqu'à ce que le lot de glaçons actuel soit livré. Cela peut prendre jusqu'à 30 minutes.



3. Retirez et jetez tous les glaçons dans le bac.
4. Lorsque la lampe de la machine s'éteint, maintenez une pression sur le bouton Clean durant 3 secondes pour démarrer la fonction de nettoyage. Le voyant Time to Clean (temps de nettoyer) commencera à clignoter.
5. Lorsque le voyant Clean commence à clignoter, ajoutez 3 onces (89 ml) de nettoyant de la bouteille à jet comme illustré.



6. La machine à glaçons poursuivra le processus de nettoyage. Cela peut prendre jusqu'à une heure. Une fois le processus terminé, le voyant Time to Clean s'éteint.
7. Versez environ 1/2 gallon (2 litres) d'eau chaude (95-115 °F) dans le bac pour le rincer.
8. Mélangez une once (30 ml) de nettoyant dans une pinte (946 ml) d'eau et nettoyez le bac à glaçons, la porte intérieure et les surfaces du joint d'étanchéité.
9. Désinfectez le bac et vidangez-le en versant un mélange de 1 once (30 ml) de javellisant domestique et de 2 gallons (7,6 litres) d'eau dans le bac.
10. Rincez le bac de nouveau avec de l'eau chaude.
11. Maintenez une pression sur le bouton Power durant 3 secondes pour redémarrer la machine à glaçons.

La pelle à glaçons doit aussi être lavées régulièrement.

Hivernage

1. Avec la machine dans le mode de fabrication de glace (Making Ice), ouvrez la porte et pressez le bouton Power pour éteindre la machine. Le voyant Making Ice (fabrication de glace) clignotera jusqu'à ce que le cycle de fabrication actuel soit terminé (jusqu'à 20 minutes) et le réservoir de la machine se vidangera automatiquement. (Assurez-vous d'éteindre la machine à glaçons de cette façon. Si la machine est débranchée sans d'abord l'éteindre, l'eau du réservoir ne se vidangera pas.)
2. Fermez l'alimentation d'eau.
3. Avec les modèles dotés d'une pompe de vidange, il faut ajouter environ 2 litres (1/2 gallon) d'antigel pour véhicule récréatif (propylène glycol) dans le bac de conservation de la glace.

REMARQUE: Il ne faut PAS employer de l'antigel pour automobile.

4. Éteignez et débranchez la machine à glaçons.

Vacances

Si vous prévoyez une longue absence, nous recommandons d'éteindre la machine à glaçons.

1. Maintenez une pression sur le bouton Power durant 3 secondes.
2. Si la machine fabrique des glaçons alors qu'elle est éteinte, le voyant Making Ice clignotera jusqu'à 20 minutes pour permettre à la machine de terminer son cycle avant de s'éteindre. La machine à glaçons évacuera aussi toute eau résiduelle dans le réservoir, comme c'est le cas à chaque fois qu'elle est éteinte.

Conseils de dépannage... Avant de faire un appel de service

Économisez temps et argent! Consultez d'abord les tableaux des pages suivantes et vous pourriez vous éviter un appel de service.

Problème	Causes possibles	Causes possibles
Faible débit de glaçons	Tuyau de vidange restreint ou eau stagnante dans le bac	Nettoyez les ailettes du condensateur refroidi à l'air.
		Nettoyez le système de production de glace.
		Vérifiez que le tuyau de vidange ne comporte pas de plis.
	La température ambiante est peut-être trop élevée	La machine à glaçons fonctionne mieux lorsque la température se situe entre 60 et 90 degrés Fahrenheit (16 et 32 °C)
Les glaçons ne sont pas complètement formés	Du tartre est présent dans la machine à glaçons	Nettoyez la machine à glaçons.
Absence de glace	La machine est éteinte	Maintenez une pression sur le bouton Power durant 3 secondes pour allumer la machine à glaçons. Le voyant Making Ice devrait s'allumer.
	Le disjoncteur a été déclenché	Réarmez le disjoncteur.
	Le débit d'eau est faible	Si le voyant Check Water (Vérifier l'eau) clignote en rouge, alors le débit d'eau est faible. Le filtre à eau doit être remplacé.
	Problème de composant ou de capteur. (Tous les voyants du panneau de commande clignoteront)	Faites un appel de service.
Le voyant <i>Time to Clean (Nettoyage requis)</i> est allumé		Nettoyez le système de la machine à glaçons selon les instructions de la section <i>Entretien et nettoyage</i> .
L'eau refoule dans le bac à glaçons	Le tube de vidange est plié	Utilisez un tube de vidange qui ne plie pas.

Bruit

La machine à glaçons est conçue pour fonctionner sans bruit mais elle émettra certains sons pendant le cycle de fabrication de glaçons. Pendant le cycle de congélation, il est normal d'entendre le ventilateur faire circuler l'air et la pompe à eau faire circuler l'eau. Les glaçons qui heurtent le bac ou qui se trouvent dedans peuvent se faire entendre pendant la livraison.

GE Appliances garantie limitée de la machine à glaçons

electromenagersGE.ca

Toutes les réparations en vertu de la garantie sont fournies par nos Centre de Service d'Usine ou par un technicien autorisé Customer Care®. Pour prévoir une réparation, consultez notre site electromenagersge.ca/fr/soutien/demande-de-service ou appelez le **800.661.1616**. Veuillez avoir votre numéro de série et votre numéro de modèle à portée de main lorsque vous appelez pour obtenir un service.

Pendant la période de garantie de :	GE Appliances remplacera :
Un An A compter de la date d'achat initial	Toute pièce de la machine à glaçons qui s'avère défectueuse en raison d'un défaut de matériau ou de fabrication. Pendant la validité de la présente garantie limitée d'un an, GE Appliances fournira également gratuitement la main d'œuvre et le service pour réparer la pièce défectueuse.
Cinq Ans A compter de la date d'achat initial	Toute pièce du système fermé du réfrigérateur (compresseur, condenseur, évaporateur et tous les tuyaux de raccordement) qui s'avère défectueuse en raison d'un défaut de matériau ou de fabrication. Pendant la validité de la présente garantie limitée de cinq an, GE Appliances fournira également gratuitement la main d'œuvre et le service pour réparer la pièce défectueuse dans le système fermé du réfrigérateur.

Ce qui n'est pas couvert par GE Appliances :

- Les déplacements à votre domicile pour vous expliquer l'utilisation de ce produit
- Une installation, livraison ou maintenance défectueuse.
- Une panne du produit par abus d'utilisation, par mauvaise utilisation, par modification ou s'il a été utilisé dans un but autre que celui pour lequel il a été fabriqué.
- Le remplacement des fusibles ou le réenclenchement du disjoncteur du domicile.
- Les dommages causés après la livraison.
- Le remplacement des ampoules, si incluses.
- Tout dommage causé par accident, incendie, inondation ou une catastrophe naturelle.
- Tout dommage fortuit ou indirect causé par des défauts éventuels de cet appareil.
- Le service s'il est impossible d'avoir accès au produit.

EXCLUSION DES GARANTIES TACITES

Votre recours exclusif est l'échange du produit suivant les modalités de la Garantie Limitée. Toutes garanties tacites, y compris les garanties de valeurs marchandes ou d'adéquation à des fins particulières, sont limitées à une durée d'un an ou à la durée la plus courte autorisée par la loi.

Pour les clients des États-Unis : Cette garantie limitée est offerte à l'acheteur initial et à tout propriétaire successif de produits à usage domestique à l'intérieur des États-Unis. Si le produit est installé dans une région où ne se trouve aucun réparateur autorisé GE Appliances, vous devrez peut-être assumer les frais de transport ou apporter l'appareil à un centre de service autorisé GE Appliances. En Alaska, la garantie limitée exclut les frais d'expédition ou de service à votre domicile.

Certains états n'acceptent pas d'exclusion ou de limites aux dommages indirects consécutifs. Certains droits particuliers vous sont dévolus en vertu de la présente garantie limitée et peuvent s'accompagner d'autres droits qui varient selon votre lieu de résidence. Pour connaître vos droits juridiques, veuillez consulter le bureau local ou le bureau d'état des affaires aux consommateurs ou le Procureur Général de votre état.

Garant : GE Appliances, a Haier company
Louisville, KY 40225

Pour les clients des Canada: Cette garantie est étendue à l'acheteur d'origine et aux propriétaires suivants pour tout produit acheté aux Canada pour une utilisation domestique aux Canada. Cette garantie limitée vous accorde des droits particuliers et il peut exister d'autres droits qui varient selon l'État ou la province.

Garant Canada: MC Commercial, Inc., Burlington, Ontario, L7R 5B6

Pour bénéficier du service de réparation sous garantie, une preuve de la date d'achat initial est nécessaire.

À la Recherche de Quelque Chose de Plus?

Des panneaux de finition en acier inoxydable avec poignées sont offerts par GE Appliances pour fixation à la machine à glaçons. Les ensembles de panneau sont les suivants :

- ZIP80SS – Porte en acier inoxydable avec poignées style Euro
- PIP70SS - Porte en acier inoxydable avec poignées style Profile
- CIP75SS - Porte en acier inoxydable avec poignées style Café
- CIP75SS - Porte en acier inoxydable avec poignées style Café
- CIP75D1 - Noir mat avec poignée style Café
- CIP75W2 - CIP75W2 – Blanc mat avec poignée style Café

Nous offrons aussi les ensembles de poignée de style Café suivants :

- CXXN1H1PNBT - Poignée noire
- CXXN1H1PNZ - Bronze handle
- CXXN1H1PNCU - Poignée cuivre
- CXXN1H1PNSS - Poignée acier inoxydable

REMARQUE : Ces ensembles ne sont que pour la famille d'ensembles de portes CIP.

Pour commander, allez sur le site electromenagersge.ca/fr/produits/filtres-et-accessoires ou composez le **800.661.1616**.

Rallonge de coup-de-pied : Dans certaines situations, les pieds de nivellement seront étendus au point d'être visibles. Un ensemble de rallonge de coup-de-pied est offert pour dissimuler les pieds de nivellement. Le numéro de l'ensemble est WR02X25708. Pour commander, allez sur le site electromenagersge.ca ou composez le **800.661.1616**

Stabilité de l'armoire : Pour certaines installations autonomes, il peut être prudent d'ajouter une ferrure antibasculement qui fixe le derrière de l'armoire au mur. Le numéro de l'ensemble est WR01X25709. Pour commander, allez sur le site electromenagersge.ca ou composez le **800.661.1616**

Conversion du drain : Un drain par gravité peut être converti en pompe de vidange en installant un ensemble de pompe de drainage. Cet ensemble consiste en un pompe de vidange, un faisceau électrique et la tubulure associée. Le numéro de pièce est UPK3. Pour commander, allez sur le site electromenagersge.ca ou composez le **800.661.1616**

Soutien au consommateur

Site Web de GE Appliances

Vous avez une question ou vous avez besoin d'aide pour votre appareil électroménager? Visitez le site Web de GE Appliances 24 heures par jour, tous les jours de l'année! Vous pouvez aussi y trouver d'autres formidables produits GE Appliances et tirer avantage de tous nos services d'assistance en ligne. Aux États-Unis : **GEAppliances.com**
Au Canada : **ElectromenagersGE.ca**

Enregistrez votre électroménager

Enregistrez votre nouvel appareil en ligne au moment qui vous convient le mieux! L'enregistrement de votre produit dans les délais prescrits permet une meilleure communication et un service rapide, selon les modalités de votre garantie, si besoin est. Vous pouvez également envoyer par courrier la carte d'enregistrement pré-imprimée qui se trouve dans l'emballage de votre appareil.

Aux États-Unis : **GEAppliances.com/register**

Au Canada : **Prodsupport.mabe.ca/crm/Products/ProductRegistration.aspx**

Service de réparation

Un service de réparation expert GE Appliances se trouve à quelques pas de chez vous. Rendez-vous sur notre site et programmez, à votre convenance, une visite de réparation à n'importe quel jour de l'année.

Aux États-Unis : **GEAppliances.com/service** ou composez le 800.432.2737 durant les heures normales de bureau.

Au Canada : **Electromenagersge.ca/fr/soutien/demande-de-service** ou composez le 800.561.3344

Prolongation de garantie

Procurez-vous une prolongation de garantie GE Appliances et informez-vous des rabais spéciaux en vigueur pendant la durée de votre garantie. Vous pouvez vous la procurer en ligne en tout temps. Les services GE Appliances seront toujours disponibles après l'expiration de la garantie. Aux États-Unis :

GEAppliances.com/service ou composez le 800.626.2224 durant les heures normales de bureau.

Au Canada : **Electromenagersge.ca/fr/soutien/achat-d-une-garantie-prolongee** ou composez le 866.277.9842

Pièces et accessoires

Les personnes ayant les compétences requises pour réparer elles-mêmes leurs appareils peuvent recevoir directement à la maison des pièces ou accessoires (les cartes VISA, MasterCard et Discover sont acceptées). Commandez en ligne 24 heures par jour.

Aux États-Unis : **GEApplianceparts.com** ou par téléphone au 877.959.8688 durant les heures normales de bureau.

Les instructions contenues dans le présent manuel comportent des procédures que tout utilisateur peut effectuer. Les autres types de réparation doivent généralement être confiés à un technicien qualifié. Usez de prudence : une réparation ou un entretien mal effectués peuvent rendre l'utilisation de l'appareil dangereuse.

Les consommateurs au Canada doivent consulter les pages jaunes pour connaître le centre de service Mabe le plus proche, visiter notre site Web au **Electromenagersge.ca/fr/produits/filtres-et-accessoires** ou composer le 1.800.661.1616.

Communiquez avec nous

Si vous n'êtes pas satisfait du service après-vente de GE Appliances, communiquez avec nous depuis notre site Web en fournissant tous les détails dont votre numéro de téléphone, ou écrivez à :

Aux États-Unis : General Manager, Customer Relations | GE Appliances, Appliance Park | Louisville, KY 40225

GEAppliances.com/contact

Au Canada : Director, Consumer Relations, Mabe Canada Inc. | Suite 310, 1 Factory Lane | Moncton, N.B. E1C 9M3

Electromenagersge.ca/fr/contactea-nous



MÁQUINA DE HIELO

INSTRUCCIONES DE SEGURIDAD3

USO DE LA MÁQUINA DE HIELO

Embalaje6

Controles6

Funciones8

Activación de la Máquina de Hielo8

INSTRUCCIONES DE INSTALACIÓN

Conexión a Tierra de la Máquina de Hielo9

Antes de Empezar9

Ubicación y Preparación9

Planificación Avanzada 11

Dimensiones12

Apertura de la Puerta13

Panel de la Puerta15

Instrucciones para Invertir la Posición de la Manija18

Plomería18

Ubicación del Zócalo19

Instalación del Accesorio del Kit de la Bomba de Drenaje UPK4 20

CUIDADO Y LIMPIEZA 24

SOLUCIONAR PROBLEMAS ... 27

GARANTÍA LIMITADA28

ACCESORIOS 29

SERVICIO AL CONSUMIDOR ... 32

MANUAL DEL PROPIETARIO E INSTRUCCIONES DE INSTALACIÓN

UCC15NP

ESPAÑOL

Escriba los números de modelo y de serie aquí:

Nº de Modelo _____

Nº de Serie _____

Busque estos números en una etiqueta en el revestimiento de la caja interna superior de la unidad sobre el frente.

GRACIAS POR HACER QUE GE APPLIANCES SEA PARTE DE SU HOGAR.

Ya sea que haya crecido usando GE Appliances, o que ésta es su primera vez, nos complace tenerlo en la familia.

Sentimos orgullo por el nivel de arte, innovación y diseño de cada uno de los electrodomésticos de GE Appliances, y creemos que usted también. Entre otras cosas, el registro de su electrodoméstico asegura que podamos entregarle información importante del producto y detalles de la garantía cuando los necesite.

Registre su electrodoméstico GE ahora a través de Internet. Sitios Web y números telefónicos útiles están disponibles en la sección de Soporte para el Consumidor de este Manual del Propietario.

También puede enviar una carta en la tarjeta de inscripción preimpresa que se incluye con el material embalado.



GE APPLIANCES

INFORMACIÓN IMPORTANTE DE SEGURIDAD

LEA TODAS LAS INSTRUCCIONES ANTES DE USAR

⚠ ADVERTENCIA

A fin de reducir el riesgo de incendio, explosión, descargas eléctricas o lesiones al usar su máquina de hielo siga estas precauciones básicas de seguridad:

- Esta máquina de hielo se deberá instalar y ubicar adecuadamente de acuerdo con las Instrucciones de Instalación antes de ser usado.
- Desenchufe la máquina de hielo antes de hacer reparaciones o hacer una limpieza.
Nota: La corriente que va a la máquina de hielo no puede ser desconectada por ninguna configuración del panel de control.
Nota: Las reparaciones deberán ser realizadas por un Profesional del Servicio Técnico calificado.
- Reemplace todas las piezas y paneles antes del uso.
- No use un prolongador.
- Mantenga cualquier material y vapores inflamables alejados de la máquina de hielo.
- No guarde sustancias explosivas tales como latas de aerosoles con propelentes inflamables en este electrodoméstico.
- A fin de evitar riesgos de que los niños sufran asfixia o queden atrapados, retire la puerta de cualquier máquina de hielo antes de descartar o dejar de usar la misma.
- Para evitar lesiones graves o la muerte, los niños no se deberán parar sobre ni jugar en o con el electrodoméstico.
- Los niños y las personas con capacidad física, sensorial o mental reducida o con falta de experiencia y conocimiento podrán usar este electrodoméstico sólo si son supervisados o les fueron dadas instrucciones sobre un uso seguro y entienden los riesgos involucrados.
- Este electrodoméstico fue diseñado para uso hogareño y para aplicaciones similares tales como: áreas de personal de cocina en tiendas, oficinas y otros espacios laborales; casas de campo; por clientes en hoteles, moteles, hostales y otros espacios residenciales, catering y aplicaciones no minoristas similares.
- Realice la conexión a un suministro de agua potable únicamente. Se requiere un suministro de agua fría para el funcionamiento de la máquina de hielos automática. La presión del agua deberá estar entre 40 y 120 psi (275-827 kilopascales).
- No aplique limpiadores ásperos sobre la máquina de hielo. Ciertos limpiadores dañarán el plástico, lo cual podrá hacer que ciertas piezas tales como la puerta o las manijas de las puertas se separen de forma inesperada. Para acceder a instrucciones detalladas, lea la sección de Cuidado y Limpieza.

⚠ PRECAUCIÓN

A fin de reducir el riesgo de lesiones al usar la máquina de hielo, siga estas precauciones básicas.

- Mantenga los dedos fuera de los espacios de “riesgo de lastimaduras”; los despejes entre las puertas y entre las puertas y el gabinete son necesariamente pequeños. Tenga el cuidado de cerrar las puertas cuando los niños se encuentren en el área.
- No toque las superficies frías del compartimiento del hielo.
- Evite el contacto con las partes móviles de la máquina de hielo..

INSTALACIÓN

⚠ ADVERTENCIA



RIESGO DE EXPLOSIÓN

Mantenga cualquier material y vapores inflamables, tales como gasolina, alejados del electrodoméstico. Si no se cumple con esto se podrá producir una explosión, incendio o la muerte.

LEA Y GUARDE ESTAS INSTRUCCIONES

INFORMACIÓN IMPORTANTE DE SEGURIDAD LEA TODAS LAS INSTRUCCIONES ANTES DE USAR

⚠ ADVERTENCIA



RIESGO DE INCENDIO O EXPLOSIÓN Refrigerantes Inflamables

Este electrodoméstico cuenta con refrigerante isobutano, también conocido como R600a, un gas natural con alto nivel de compatibilidad medioambiental. Sin embargo, también es combustible. Siga las advertencias que figuran a continuación, a fin de reducir el riesgo de lesiones o daños sobre la propiedad.

1. Al mover, instalar y operar el electrodoméstico, se deberá tener cuidado de no dañar la tubería del refrigerante.
2. El servicio técnico sólo debe ser realizado por personal autorizado del servicio. Use sólo piezas del servicio autorizadas por el fabricante
3. Descarte el electrodoméstico de acuerdo con las Regulaciones Federales y Locales. El refrigerante inflamable y el material aislante inflamable usados requieren procedimientos de descarte especiales. Comuníquese con las autoridades locales para descartar su refrigerador de forma ambientalmente segura.
4. Mantenga las aberturas de ventilación en el espacio de protección del electrodoméstico o en la estructura incorporada libres de obstrucción.
5. No use un picahielos ni cualquier instrumento metálico o puntiagudo para retirar escarcha o hielo del compartimiento de la máquina de hielo, ya que esto podrá perforar el revestimiento y luego la tubería de refrigerante inflamable detrás de éste.
6. No use dispositivos eléctricos dentro del compartimiento de almacenamiento de comida del electrodoméstico.
7. No use ningún dispositivo eléctrico para derretir o descongelar hielo o escarcha en la máquina de hielo.

CONEXIÓN DE LA ELECTRICIDAD

⚠ ADVERTENCIA



RIESGO DE DESCARGA ELÉCTRICA.

Enchufe en un toma corriente con conexión a tierra de 3 cables.

No elimine el cable de conexión a tierra.

No use un adaptador.

Si no se siguen estas instrucciones se podrá producir a muerte, incendios o descargas eléctricas.

Nunca, bajo ninguna circunstancia, corte o elimine el tercer cable (tierra) del cable de corriente.

Para su seguridad personal, este electrodoméstico debe estar adecuadamente conectado a tierra.

El cable de corriente de este electrodoméstico contiene un enchufe de 3 cables (conexión a tierra) que se conecta a un tomacorriente de pared estándar de 3 cables (conexión a tierra) para minimizar la posibilidad de riesgos de descargas eléctricas por parte del mismo.

Contrate a un electricista calificado para que controle el tomacorriente y el circuito eléctrico, a fin de asegurar que el enchufe esté correctamente conectado a tierra.

En caso de contar con un tomacorriente de pared de 2 cables, es su responsabilidad y obligación reemplazarlo por un tomacorriente de pared de 3 cables correctamente conectado a tierra. No use un adaptador.

La máquina de hielo siempre debe estar enchufada en su propio circuito de 120 voltios, 60 Hz, 15 amp. Esto garantiza el mejor funcionamiento y además previene la sobrecarga de los circuitos del hogar, lo cual podría ocasionar riesgos de incendio debido al recalentamiento de cables.

Nunca desenchufe la máquina de hielo tirando del cable de corriente. Siempre tome su enchufe firmemente y empuje el mismo hacia afuera para retirarlo.

Repare o reemplace de inmediato todos los cables de corriente pelados o con cualquier tipo de daño. No use un cable con cortaduras o abrasión sobre su extensión o extremos.

Al mover la máquina de hielo, se deberá tener cuidado de que no ruede sobre ni dañe el cable de corriente.

LEA Y GUARDE ESTAS INSTRUCCIONES

INFORMACIÓN IMPORTANTE DE SEGURIDAD

LEA TODAS LAS INSTRUCCIONES ANTES DE USAR

FORMA ADECUADA DE DESCARTAR SU ANTIGUO ELECTRODOMÉSTICO

⚠ ADVERTENCIA RIESGO DE SOFOCACIÓN O DE QUE LOS NIÑOS QUEDEN ATRAPADOS

Retire la puerta del electrodoméstico antes de descartar el mismo. Si esto no se realiza, los niños podrán quedar atrapados y esto podrá producir la muerte o daño cerebral.

IMPORTANTE: Que un niño quede atrapado o que sufra una asfixia no son problemas del pasado. Los refrigeradores antiguos o abandonados aún son peligrosos, incluso aunque se conserven por "sólo unos pocos días". Si se deshará de su antiguo refrigerador, siga las siguientes instrucciones a fin de evitar accidentes.

Antes de Descartar su Antiguo Aparato:

- Retire las puertas de comidas frescas y del freezer.
- Deje los estantes en su lugar de modo que los niños no puedan trepar dentro con facilidad.

DESCARTE DE REFRIGERANTES Y GOMAESPUMAS:

Descarte o recicle su electrodoméstico de acuerdo con las Regulaciones Federales y Locales. El material aislante inflamable utilizado requiere procedimientos especiales de eliminación. Comuníquese con las autoridades locales para descartar o reciclar su electrodoméstico de forma ambientalmente segura.

LEA Y GUARDE ESTAS INSTRUCCIONES

Embalaje

Retire el embalaje

IMPORTANTE: No retire ninguna etiqueta de instrucciones permanente dentro de la máquina de hielos ni la Ficha Técnica colocada detrás del panel de acceso inferior.

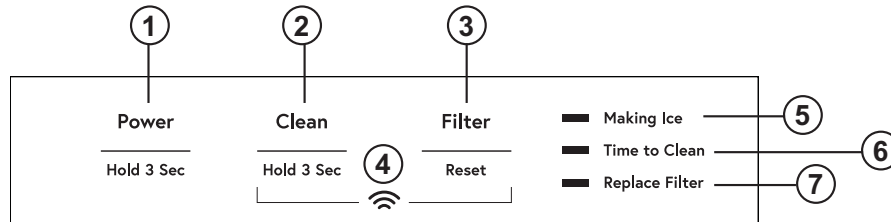
- Retire la cinta y cualquier etiqueta de su máquina de hielo antes del uso (excepto la etiqueta del modelo y el número de serie).

Para retirar cualquier cinta o pegamento que haya quedado, frote el área vivamente con su pulgar. Los residuos de cinta

o pegamento se pueden retirar fácilmente frotando con los dedos una cantidad pequeña de jabón líquido para lavar platos sobre el adhesivo. Limpie con agua caliente y seque.

- No use instrumentos puntiagudos, no frote alcohol, no use líquidos inflamables, ni limpiadores abrasivos para retirar cinta o pegamento. Estos productos pueden dañar la superficie de la máquina de hielo. Para más información, lea la sección de Instrucciones Importantes de Seguridad.

Controles



- 1. POWER (Encendido)** - Mantenga presionada esta tecla durante 3 segundos para iniciar la máquina de hielo. Mantenga presionada esta tecla durante 3 segundos para apagar la máquina de hielo. (Si la máquina de hielo está produciendo hielo al estar apagada, la función Making Ice Indicator (Indicador de Producción de Hielo) parpadeará hasta que el ciclo de producción de hielo se haya completado antes de apagarse. La máquina de hielo también drenará el agua que quede en el tanque cada vez que se apague. Si durante la producción de hielo es necesario apagar el producto de inmediato, mantenga presionado el botón "Power" (Encendido) durante 3 segundos nuevamente.
- 2. CLEAN (LIMPIEZA)** - Mantenga presionada esta tecla durante 3 segundos para iniciar el proceso de limpieza. (Consulte la sección de Cuidado y Limpieza).
- 3. FILTER RESET (REINICIO DEL FILTRO)** - Presione esta tecla antes de cambiar el filtro a fin de reiniciar el temporizador del filtro. (Consulte sobre el Filtro de Agua GSWF).
- 4. WiFi** - Mantenga presionados los botones Clean (Limpieza) y Filter (Filtro) al mismo tiempo. El símbolo de WiFi comenzará a parpadear. (Consulte la sección de WiFi).
- 5. MAKING ICE (PRODUCCIÓN DE HIELO)** - El indicador estará encendido cuando la unidad se encuentre en el modo de producción de hielo.
- 6. TIME TO CLEAN (Tiempo de Limpieza)** - El indicador se encenderá luego de 5 meses, indicando que es tiempo de ordenar el limpiador. El indicador parpadeará luego de 6 meses, indicando que es tiempo de limpiar la máquina. (Consulte la sección de Cuidado y Limpieza).
- 7. Replace Filter (Reemplazo del Filtro)** - El indicador se iluminará cuando sea tiempo de ordenar un filtro. El indicador parpadeará cuando sea hora de reemplazar el filtro. (Consulte sobre el Filtro de Agua GSWF).

Modo Sabático

Sabbath Mode (Modo Sabático) fue diseñado para el Día de Descanso Judío y Feriados. La máquina de hielo no producirá hielo durante el modo Sabbath (Sabático). Si se ingresa al modo Sabbath (Sabático) mientras se está produciendo hielo, la máquina de hielo completará el ciclo actual antes de apagarse (menos de 30 minutos). La producción de hielo comenzará nuevamente al final del modo Sabbath (Sabático). Si la máquina de hielo se encuentra equipada con una bomba de drenaje, ésta continuará funcionando de manera habitual.

La máquina de hielo saldrá de Sabbath Mode (Modo Sabático)

de forma automática luego de 96 horas.

ON/OFF (Encendido/ Apagado) - Para activar Sabbath Mode (Modo Sabático), mantenga presionados "Power" (Encendido) y "Filter Reset" (Reinicio del Filtro) durante 3 segundos. Para salir de Sabbath Mode (Modo Sabático), mantenga presionados "Power" (Encendido) y "Filter Reset" (Reinicio del Filtro) durante 3 segundos. Las luces de "Making Ice" (Fabricando Hielo), "Time to Clean" (Hora de la Limpieza), y "Replace Filter" (Reemplace el Filtro) se encenderán todas para indicar que el modo Sabbath (Sabático) se encuentra activo.

Alarma de la Puerta

Sonará una alerta cuando la puerta se haya dejado abierta durante 2 minutos. Detenga la alerta presionando cualquier botón.

Desactive la alarma de la puerta presionando los botones "Power" (Encendido), "Clean" (Limpieza) y "Filter Reset"

(Reinicio del Filtro) al mismo tiempo. Para reactivar Door Alarm (Alarma de la Puerta), presione los botones "Power" (Encendido), "Clean" (Limpieza) y "Filter Reset" (Reinicio del Filtro) al mismo tiempo.

Funciones

Comunicación con el Electrodoméstico

WiFi (para Clientes de Estados Unidos, sus territorios, y Canadá)

- Descargue la aplicación SmarthQ.
 - Disponible para iPhone desde Apple Store o desde el enlace GEAppliances.com.
 - Disponible para Android desde Google Play o desde el enlace GEAppliances.com.
- Seleccione Create Account (Crear Cuenta) en la aplicación.
 - Ingrese la información y seleccione Register (Registrar). Se generará un correo electrónico.
 - Al recibir el correo electrónico, seleccione Verify Account (Verificar Cuenta).
 - Firme con sus credenciales y seleccione Authorize (Autorizar) para permitirle a la aplicación comunicarse con su centro de bebidas.
- Encuentre la Etiqueta "Connected Appliance Information" (Información del Electrodoméstico Conectado) abriendo la Puerta de Acceso al Filtro de Agua en la parte inferior de la Máquina de Hielo. Identifique la etiqueta para seleccionar el método de conexión correcto.

Modelos de Máquinas de Hielo con Etiqueta de Contraseña:



- Configure la aplicación.
 - Presione en la parte superior de la pantalla.
 - Elija GE Appliances>Refrigeration>Under Counter IceMaker>(GE Appliances>Refrigeración>Máquina de Hielo Debajo de la Encimera>)
 - El botón de información mostrará una imagen de la pantalla táctil sobre el electrodoméstico. Seleccione OK.
 - Seleccione Next (Siguiente).
- Presione WiFi Connect (Conexión WiFi) en el control. Mantenga presionados los botones Clean (Limpieza) y Filter (Filtro) al mismo tiempo. El símbolo de WiFi comenzará a parpadear en la pantalla.
 - Seleccione Next (Próximo) en la aplicación.
- Encuentre la contraseña en la Etiqueta "Connected Appliance Information" (Información sobre el Electrodoméstico Conectado).

- Ingrese la contraseña en la aplicación.
- Realice la conexión al Módulo WiFi de la Máquina de Hielo en las configuraciones de WiFi del teléfono, y luego regrese a la Aplicación SmarthQ y seleccione Next (Siguiente).
 - El WiFi tendrá el formato "GE_MODULE_XXXX". El número de módulo también lo podrá encontrar en la etiqueta.
 - Conéctese a la red WiFi hogareña y escriba la contraseña de WiFi del hogar.

Modelos de Máquinas de Hielo con Etiqueta de Identificación UPD:



- Presione WiFi Connect (Conexión WiFi) en el control. Mantenga presionados los botones Clean (Limpieza) y Filter (Filtro) al mismo tiempo. El símbolo WiFi comenzará a parpadear en la pantalla.
- Configure la aplicación.
 - Presione en la parte superior de la pantalla.
 - La máquina de hielo realizará un escaneo cercano de forma automática. Si el Bluetooth del teléfono móvil está apagado, haga clic en "GO TO SETTING" (Ir a la Configuración) para encenderlo en primer lugar. Vuelva a presionar Scan (Escanear) en la aplicación luego de esto.
 - Seleccione "Under Counter Ice Maker" (Máquina de Hielo Bajo la Encimera) para conectarse.
 - La aplicación buscará Redes WiFi disponibles de forma automática.
 - Seleccione la red WiFi hogareña y escriba la contraseña de WiFi del hogar.
- Si aparecen todas las marcas de control y el usuario visualiza una pantalla que indica que el dispositivo está conectado, entonces este último fue conectado con éxito.
- Si la aplicación no logra conectarse, ésta exhibirá la pantalla "Oops! Something Went Wrong" (¡Oops! Algo Salió Mal). Se le darán al usuario posibles razones por las cuales la conexión falló y la opción de intentar de nuevo.

Información Regulatoria

Declaración de Cumplimiento de la FCC/IC

Este dispositivo cumple con la Parte 15 de la Normativa de la FCC. Su funcionamiento está sujeto a las dos condiciones siguientes:

1. Este dispositivo no puede ocasionar interferencias perjudiciales, y
2. Este dispositivo tolera cualquier interferencia recibida, incluidas las interferencias que puedan provocar un funcionamiento no deseado.

Este equipo ha sido probado y cumple con los límites establecidos para un dispositivo digital de clase B, según la parte 15 de la Normativa de la FCC. Estos límites han sido diseñados para ofrecer una protección razonable contra interferencias perjudiciales en la instalación residencial. Este equipo genera, usa y puede emitir energía de radiofrecuencia y, si no se instala y utiliza de acuerdo con las instrucciones, puede ocasionar interferencias perjudiciales para las comunicaciones de radio.

Sin embargo, no se garantiza que no se presenten interferencias en una instalación en particular. Si este equipo provoca interferencias perjudiciales para la recepción de radio o televisión,

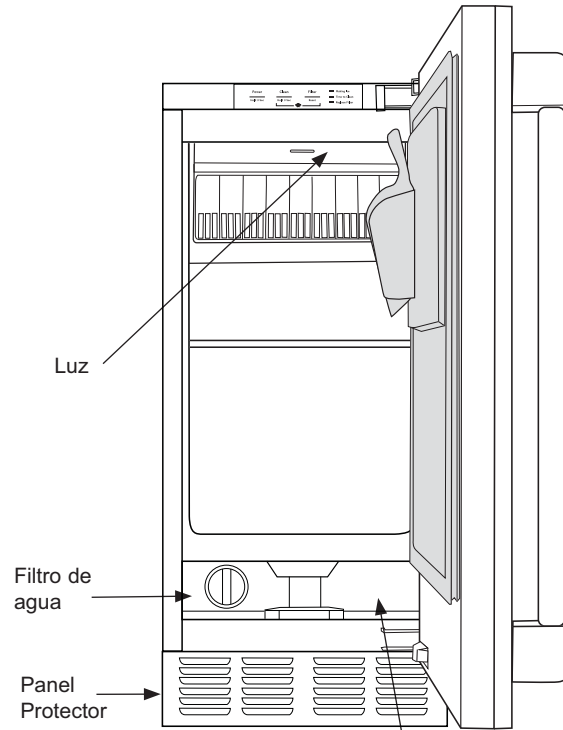
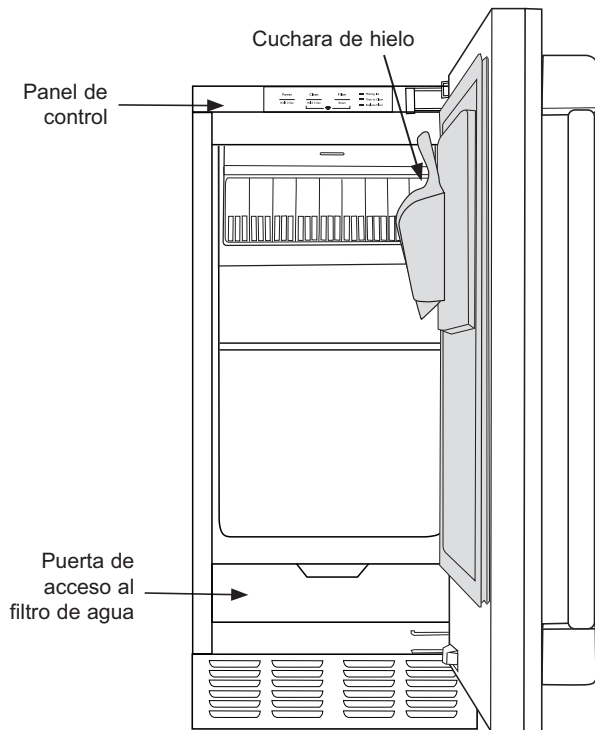
lo que puede comprobar encendiendo y apagando el equipo, se aconseja al usuario intentar corregir la interferencia a través de una de las siguientes medidas:

- Reoriente o reubique la antena receptora.
- Aumente la separación entre el equipo y el receptor.
- Conecte el equipo a un tomacorriente de un circuito diferente del tomacorriente al que se encuentra conectado el receptor.
- Consulte al proveedor minorista o a un técnico experimentado de radio/ TV.

ON/OFF (Encendido/ Apagado) - Para activar Sabbath Mode (Modo Sabático), mantenga presionados "Power" (Encendido) y "Filter Reset" (Reinicio del Filtro) durante 3 segundos. Para salir de Sabbath Mode (Modo Sabático), mantenga presionados "Power" (Encendido) y "Filter Reset" (Reinicio del Filtro) durante 3 segundos.

Etiqueta de Clasificación: Los cambios o modificaciones sobre esta unidad no aprobadas expresamente por el fabricante podrán anular la autoridad del usuario para utilizar el equipo.

Funciones



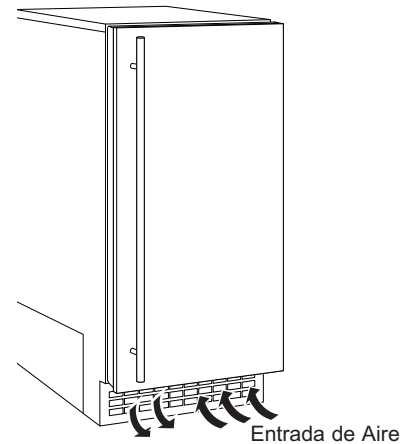
Etiqueta de Información del Electrodoméstico Conectado

Activación de la máquina de hielo

Esta máquina hace entrar el aire de la temperatura ambiente por la parte inferior derecha frontal y hace salir el aire caliente por la parte inferior izquierda frontal. Restringir el flujo de aire o utilizar la máquina en un ambiente caliente o frío afectará de forma adversa la habilidad de la máquina de hielo para realizar la producción.

Cuando se abra la puerta, el panel de control, el área de la máquina de hielo y el cubo de almacenamiento de hielo estarán visibles. La cuchara se encuentra ubicada en el suspensor, en la parte interior de la puerta.

Se trata de un modelo de desagüe por gravedad que debe contar con una conexión de desagüe del edificio por debajo del nivel del tubo de drenaje en la parte trasera del gabinete. Una bomba puede ser instalada, la cual puede forzar el desagüe hasta un máximo de 10 pies, permitiendo su colocación donde el desagüe por gravedad no está disponible. Para más información sobre la bomba de desagüe, consulte la sección de **Accesorios** en la página 21.



Inicio

1. Abra el suministro de agua.
2. Encienda la corriente eléctrica.
3. Mantenga presionada la tecla "Power" (Encendido) durante 3 segundos para iniciar la máquina. La luz de "Fabricación de Hielo" se encenderá.
4. Comenzará a circular agua dentro de la unidad. Cuando el depósito esté completo, el agua comenzará a ser drenada de la máquina. Luego de algunos minutos, el compresor, la bomba de agua y el motor del ventilador comenzarán a funcionar

mientras comience el primer ciclo de producción de hielo. En aproximadamente 30 minutos, caerá hielo dentro del cubo de almacenamiento. La máquina produce 24 cubos por vez. Es normal que las primeras cantidades de hielo se derritan a medida que el recipiente se enfríe. El llenado del recipiente de hielo tardará entre 8 y 10 horas de funcionamiento continuo. Una vez lleno el recipiente para hielo, la máquina de hielo se apagará. Se reiniciará de forma automática cuando el nivel de hielo se reduzca, ya sea por uso o por derretimiento normal.

Descarte la primera producción de hielo.

Instrucciones de Instalación

MÁQUINA DE HIELO

Si tiene preguntas, llame al 1.800.GE.CARES o bien visite nuestra página Web: GEAppliances.com

CONEXIÓN A TIERRA DE LA MÁQUINA DE HIELO

⚠ ADVERTENCIA Riesgo de Descarga Eléctrica.

Si no se siguen estas instrucciones se podrá producir a muerte, incendios o descargas eléctricas.

El cable de corriente de este electrodoméstico contiene un enchufe de 3 cables (conexión a tierra) que se conecta a un tomacorriente de pared estándar de 3 cables (conexión a tierra) para minimizar la posibilidad de riesgos de descargas eléctricas por parte del mismo.

Contrate a un electricista calificado para que controle el tomacorriente y el circuito eléctrico, a fin de asegurar que el enchufe esté correctamente conectado a tierra.

En caso de contar con un tomacorriente de pared de 2 cables, es su responsabilidad y obligación reemplazarlo por un tomacorriente de pared de 3 cables correctamente conectado a tierra.

NUNCA, BAJO NINGUNA CIRCUNSTANCIA, CORTE O ELIMINE EL TERCER CABLE (TIERRA) DEL CABLE DE CORRIENTE.

NO USE UN ENCHUFE ADAPTADOR PARA CONECTAR EL ELECTRODOMÉSTICO A UN TOMACORRIENTE DE 2 PATAS.

NO USE UN PROLONGADOR CON ESTE ELECTRODOMÉSTICO.

ANTES DE EMPEZAR

Lea estas instrucciones completa y cuidadosamente.

- **IMPORTANTE** — Observe todos los códigos y órdenes de ley. Guarde estas instrucciones para uso del inspector local.
- **Nota al instalador** – Asegúrese de dejar estas instrucciones con el consumidor.
- **Nota al consumidor** – Conserve estas instrucciones para referencia futura.
- **Nivel de destreza** – La instalación de este aparato requiere de destrezas mecánicas básicas.
- **Tiempo de ejecución** – La instalación puede variar 30 minutos para la Instalación de la Tubería de Agua
- La instalación apropiada es la responsabilidad del instalador.
- La falla del producto debido a una instalación inadecuada no está cubierta por la garantía.

UBICACIÓN Y PREPARACIÓN DE LA MÁQUINA DE HIELO

Esta máquina de hielo fue diseñada para uso en interiores, dentro de un ambiente controlado.

Está compuesta por dos sistemas principales: el sistema de producción de hielo y el sistema de almacenamiento de hielo. El sistema de producción de hielo fabrica el mismo cuando el nivel de hielo baja o se detiene cuando está completo.

El sistema de almacenamiento de hielo es un espacio aislado con un desagüe en su parte inferior para derretir hielo. No está refrigerado, de modo que la hielera cuente con hielo fresco.

Durante la producción de hielo, caerán pepitas de hielo en la hielera a un ritmo irregular; a veces habrá poco hielo mientras que otras veces caerá un grupo de pepitas.

IMPORTANT: Nunca guarde nada en la hielera que no sea hielo. Los objetos como las botellas de vino o cerveza no sólo son antihigiénicas, sino que también sus etiquetas se pueden salir y bloquear el desagüe.

IMPORTANT: Nunca permita que una máquina funcione sin una limpieza regular. La máquina tendrá una mayor durabilidad si se mantiene limpia. Se deberá realizar una limpieza regular por lo menos cada un año, y preferentemente dos. Algunas condiciones del agua harán que sea necesaria incluso una frecuencia de limpieza mayor de la sección de producción de hielo, y algunas alfombras o mascotas harán que sea necesaria una frecuencia de limpieza mayor del condensador.

Especificaciones

La máquina de hielo funcionará de forma adecuada dentro de los límites, pero funciona mejor entre las temperaturas de 60°F y 80°F

- Temperatura mínima del aire: 55°F (10°C)
- Temperatura máxima del aire 100°F (38°C)
- Temperatura mínima del agua: 40°F (4.5°C)
- Temperatura máxima del agua 90°F. (32°C)
- Presión mínima del agua: 30 psi (2.07 bar)
- Presión máxima del agua: 120 psi (8.27 bar)

Límites de voltaje eléctrico:

Lea la Etiqueta de Calificación dentro de la máquina de hielos

Instrucciones de instalación

UBICACIÓN Y PREPARACIÓN DE LA MÁQUINA DE HIELO (Cont.)

Requisitos y Servicios Públicos y Funcionamiento

- Esta máquina de hielo debe estar conectada a un suministro de agua potable.

Toda el agua, incluyendo el agua potable suministrada por las municipalidades, contienen ciertas impurezas o minerales. El agua absorbe impurezas del aire a través de la lluvia y/o al circular a través del suelo. Algunas de estas impurezas son partículas sólidas. Éstas se conocen como sólidos suspendidos, y un filtro de partículas finas las eliminará. Otras impurezas están químicamente ligadas a las moléculas de agua y no se podrán filtrar. Éstas se llaman sólidos disueltos.

El hielo producido por esta máquina poseerá un contenido mineral inferior en relación al agua de la cual proviene. Esto se debe al método de producción de hielo. El agua más pura se congelará primero en los modos de producción de hielo. El motivo de esto es que cualquier cosa disuelta en agua reduce la temperatura de congelación del agua. Esto concentra la mayoría de las impurezas del depósito de agua de la máquina de hielo donde se podrán formar depósitos más duros conocidos como sarro. La máquina disuelve la concentración de minerales al llenar en exceso el depósito durante el ciclo de recolección (donde el exceso de agua circula por el drenaje). El uso del agua varía en relación a las temperaturas del aire y del agua.

Algunas impurezas inevitablemente permanecerán, y se adherirán a las piezas de la máquina. Esto generará la deformación de cubos de hielo. Finalmente, **el sarro mineral acumulado podrá acortar la vida útil de la máquina.**

A fin de que la máquina funcione de forma correcta, estas impurezas o minerales se deberán disolver de forma regular con limpiadores a base de ácido. Se podrá acceder a instrucciones sobre esto en la sección de Cuidado y Limpieza.

Esta máquina puede ser suministrada con agua por ósmosis inversa, pero la conductividad del agua no debe

ser inferior a 10 microSiemens/cm. Un sistema de ósmosis inversa debe incluir un tratamiento posterior o combinación para satisfacer la potencial agresividad del agua por ósmosis inversa.

El agua desionizada no es recomendable y puede dañar la máquina.

Debido a que los ablandadores de agua intercambian un mineral por otro, es posible que el agua ablandada no mejore las condiciones del agua cuando se use con máquinas de hielo.

- Presión mínima del agua: 30 psi
- Presión máxima del agua: 120 psi
- Temperatura mínima del agua: 40°F
- Temperatura máxima del agua: 90°F.

Esta máquina de hielo fue diseñada para funcionar en una amplia variedad de temperaturas de aire con una temperatura mínima de 55°F y una temperatura máxima de 100°F.

Aunque la máquina funcionará dentro de los rangos listados, funciona mejor a temperaturas de agua de entre 50°F y 60°F y a temperaturas de aire de entre 60°F y 80°F.

NOTA: La capacidad de producción de hielo desciende a medida que la temperatura del ambiente se incrementa, y se ve severamente reducida en temperaturas superiores a 90°F.

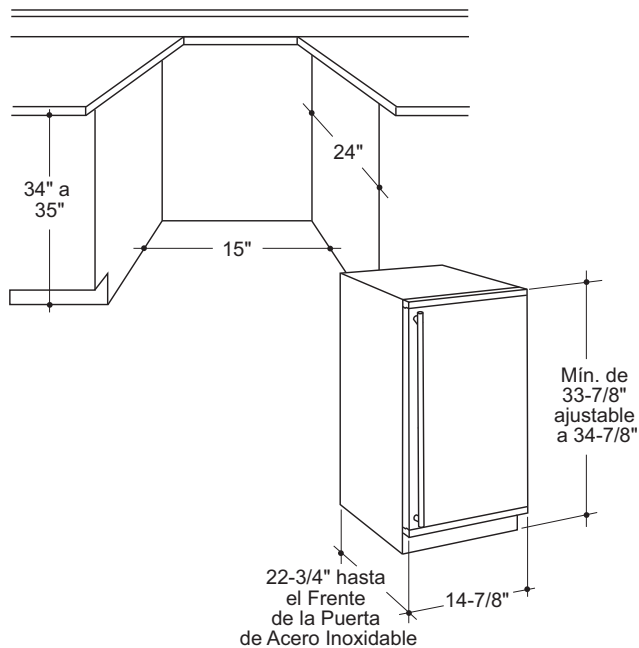
Utilizar una unidad fuera de los límites puede ocasionar problemas que no son cubiertos por la garantía y, en casos extremos, causar daños sobre la unidad.

Esta máquina puede ser empotrada en un gabinete. Es un sistema de refrigeración por aire frío. El aire fluye hacia dentro y fuera del mismo a través de la rejilla en la parte inferior frontal. La rejilla no debe ser bloqueada por ningún piso cobertor o cualquier otra obstrucción.

PLANIFICACIÓN AVANZADA

⚠ PRECAUCIÓN Debido a un peso excesivo, SE REQUIERE QUE DOS PERSONAS MUEVAN E INSTALEN ESTA máquina de hielo. Si esto no se cumple, se podrán producir lesiones en la espalda u otras heridas.

DIMENSIONES DEL PRODUCTO Y ESPACIO



Notas de Instalación

Una bomba de desagüe está disponible para esta máquina de hielo. El número del kit de la bomba de desagüe es UPK3 y está disponible en GEApplianceparts.com o llamando al 877-959-8688. En Canadá, visite GEAppliances.ca o comuníquese al 800.661.1616.

Instalación Empotrada: Si un piso con terminación será instalado en el área luego de haber empotrado la máquina de hielo, se deberán instalar cuñas del grosor del piso que se colocará debajo de la unidad, a fin de mantener la máquina nivelada con el nivel del piso planificado.

NOTA: La conexión del agua está en la parte trasera y suma unas pocas pulgadas a la profundidad del gabinete.

Instalación sobre una losa: Necesitará instalar una bomba de desagüe al electrodoméstico y bombear el agua hasta el punto de desagüe. Consulte la sección de Accesorios. Las bombas bombearán hasta una altura de 1 piso (10 pies).

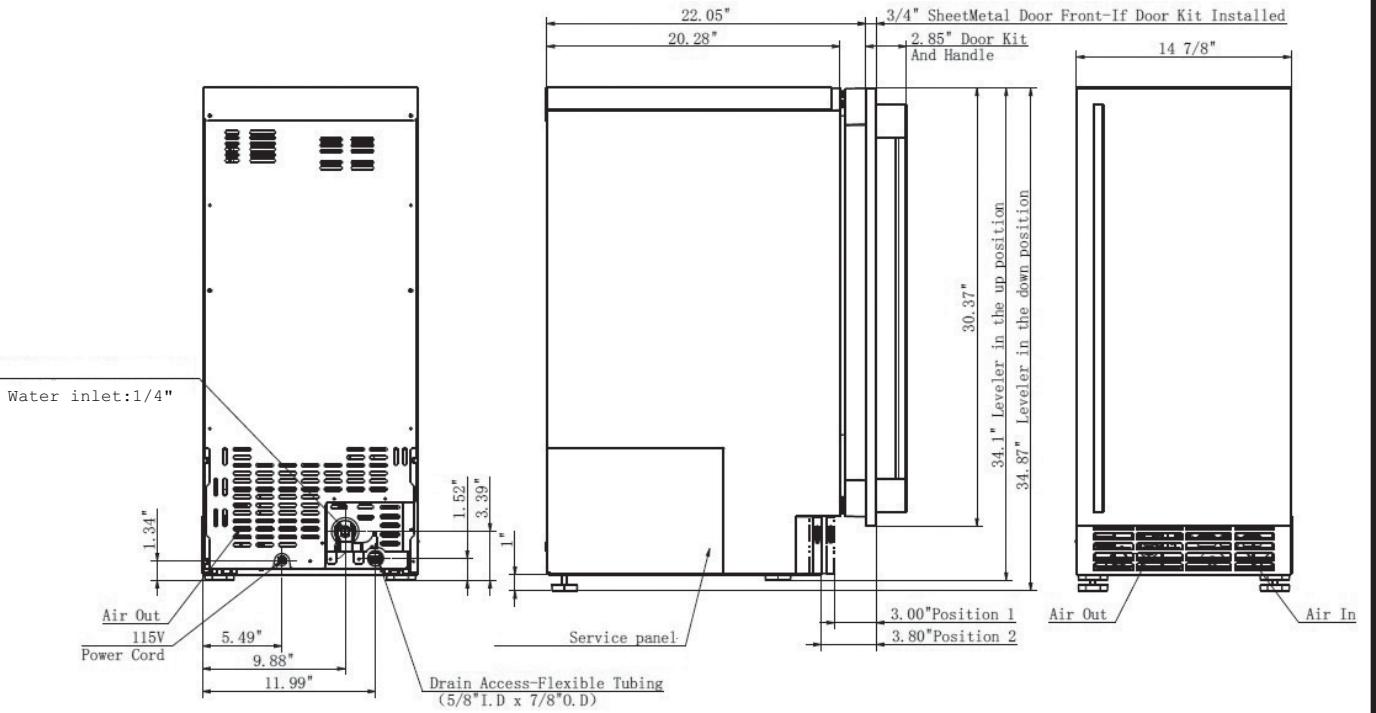
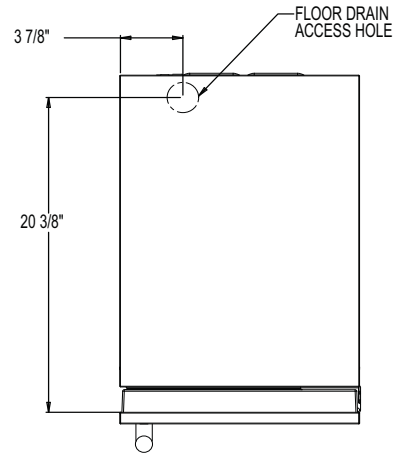
Instalación en un entepiso o sótano: Se podrá usar el desagüe por gravedad o una bomba. Para usar una bomba, consulte la sección de Accesorios. Si no hay suficiente espacio detrás de la máquina para un receptáculo de desagüe/desechos, el desagüe deberá estar por debajo del piso.

NOTA: Cuando se instale en un rincón, es posible que la apertura de la puerta se vea limitada debido al contacto de la manija con la pared o la cara del gabinete.

Es necesario contar con un suministro de agua. Los suministros de agua varían en el grado del contenido mineral. El agua con alto nivel de contenido mineral requerirá un mantenimiento más frecuente. La filtración del agua puede mejorar el gusto del hielo y también reducir parte de la acumulación de minerales.p.

Instrucciones de instalación

DIMENSIONES



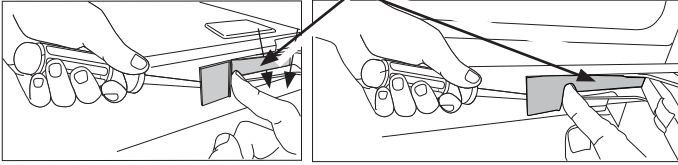
Instrucciones de instalación

BALANCEO DE LA PUERTA

Mover las bisagras permitirá que la puerta se abra tanto desde el lado izquierdo como del derecho. Cambie el balanceo ANTES de adherir el panel de la puerta.

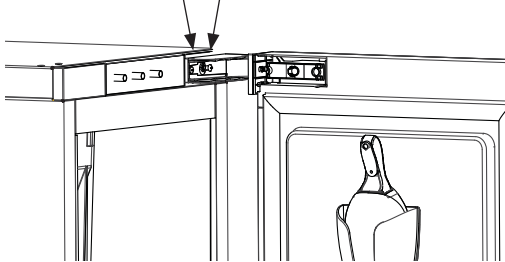
1. Retire las tapas de los tornillos de las bisagras superior e inferior para poder acceder a los tornillos.

Presione para Liberar

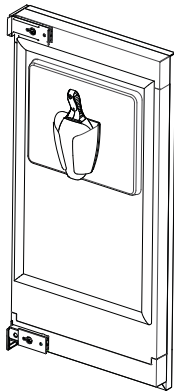


2. Abra la puerta y retire los tornillos de la bisagra (4 en total para la bisagra superior e inferior).

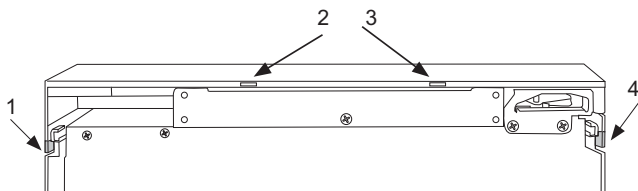
Retirar



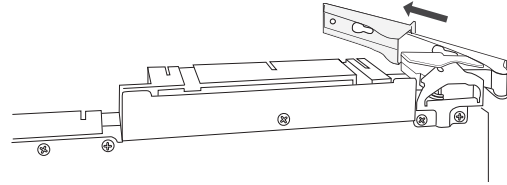
3. Retire la puerta.



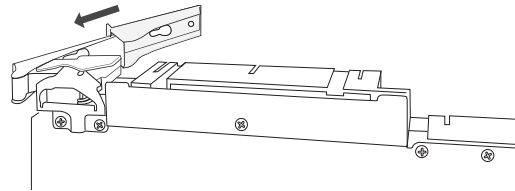
4. Retire la junta de la puerta y la cuchara de hielo.
5. Use un destornillador plano para abrir las lengüetas a presión de la tapa decorativa inferior en las 4 ubicaciones mostradas en la figura.



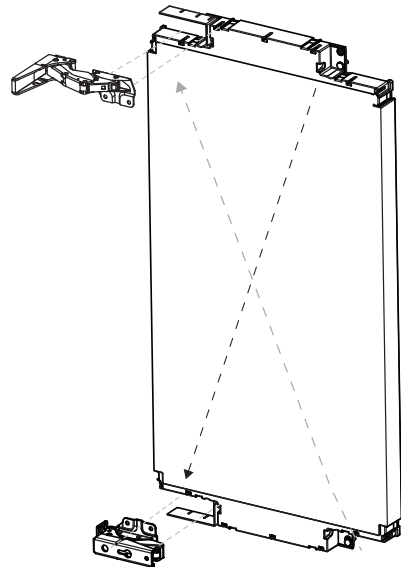
6. Retire la tapa superior decorativa del mismo modo.
7. Retire la bisagra superior y la tapa de la bisagra. Retire la tapa de la bisagra de esta última.



8. Retire la bisagra inferior y la tapa de la bisagra. Retire la tapa de la bisagra de esta última.
9. Deslice la tapa de la bisagra superior original sobre la bisagra inferior original y adhiera este ensamble a la parte superior, del lado opuesto a la ubicación original.



10. Deslice la tapa de la bisagra inferior original sobre la bisagra superior original y adhiera este ensamble a la parte inferior, del lado opuesto a la ubicación original.

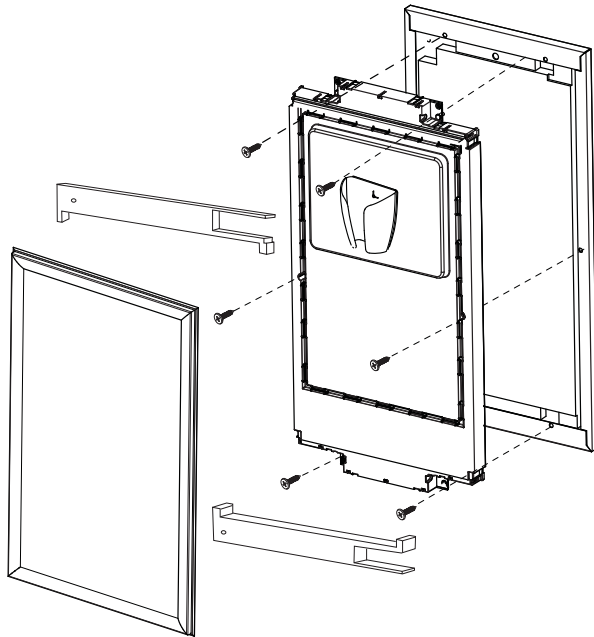


Steps 8-11

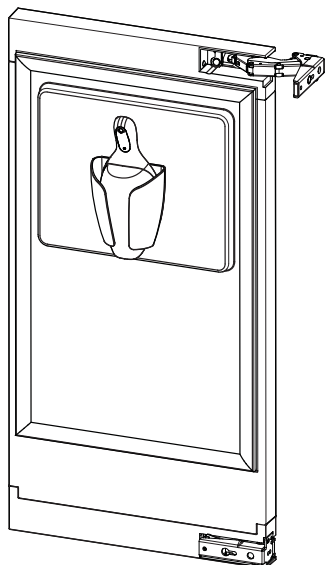
Instrucciones de instalación

BALANCEO DE LA PUERTA (Cont.)

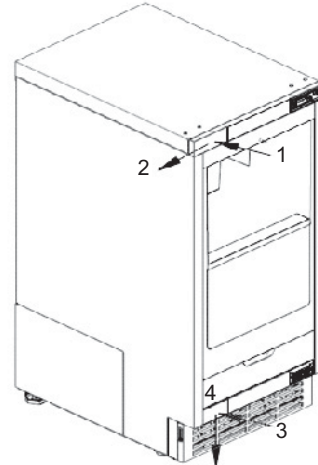
11. Retire cualquier cobertura protectora de plástico del panel de la puerta de acero inoxidable.
12. Usando un destornillador Phillips, instale los seis tornillos (suministrados con el kit del panel de la puerta), como se muestra en la figura, para adherir el panel interior al panel exterior. Asegúrese de que la manija se encuentre ubicada del lado deseado.



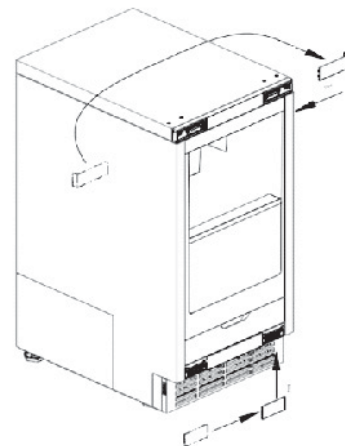
13. Gire la tapa superior decorativa 180 grados y calce la misma en la posición inferior. Gire la tapa inferior decorativa 180 grados y calce la misma en la posición superior.
14. Retire la junta de la puerta y la cuchara de hielo.



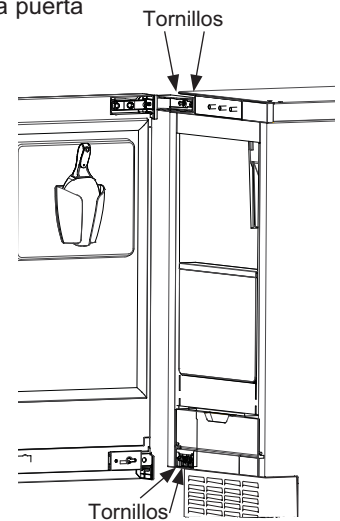
15. Retire la placa de la bisagra superior empujando y deslizando la misma hacia afuera, y baje la placa de la bisagra empujando de manera firme hacia adentro y abajo como se muestra en la figura.



16. Instale las placas superior e inferior sobre el lado opuesto.



17. Reemplace el panel de la puerta instalando las bisagras superior e inferior con los 4 tornillos.



INSTALACIÓN DEL PANEL DE LA PUERTA

La máquina de hielo se suministra sin una cobertura de puerta convencional, permitiendo la adhesión de un panel de puerta o un panel a medida.

NOTA: Si es necesario modificar el balanceo de la puerta, esto se deberá realizar ANTES de la adhesión del panel de la puerta.

Panel de la Puerta

Los paneles de puerta con terminación y manijas están disponibles a través de GE Appliances para la adhesión a la máquina de hielo. Consulte la sección de Accesorios en la página 21.

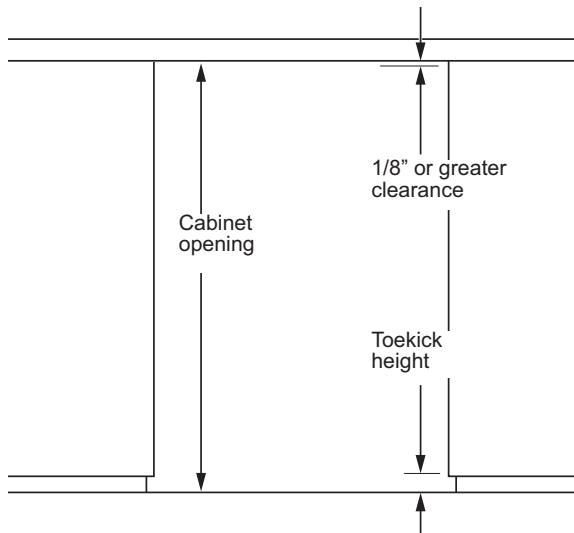
Se podrá usar un panel de madera u otro material a medida que no supere las 15 lbs., y se deberán seguir estas pautas:
 ancho: 14 7/8"

alto: entre 29 5/8" y 30 5/8"

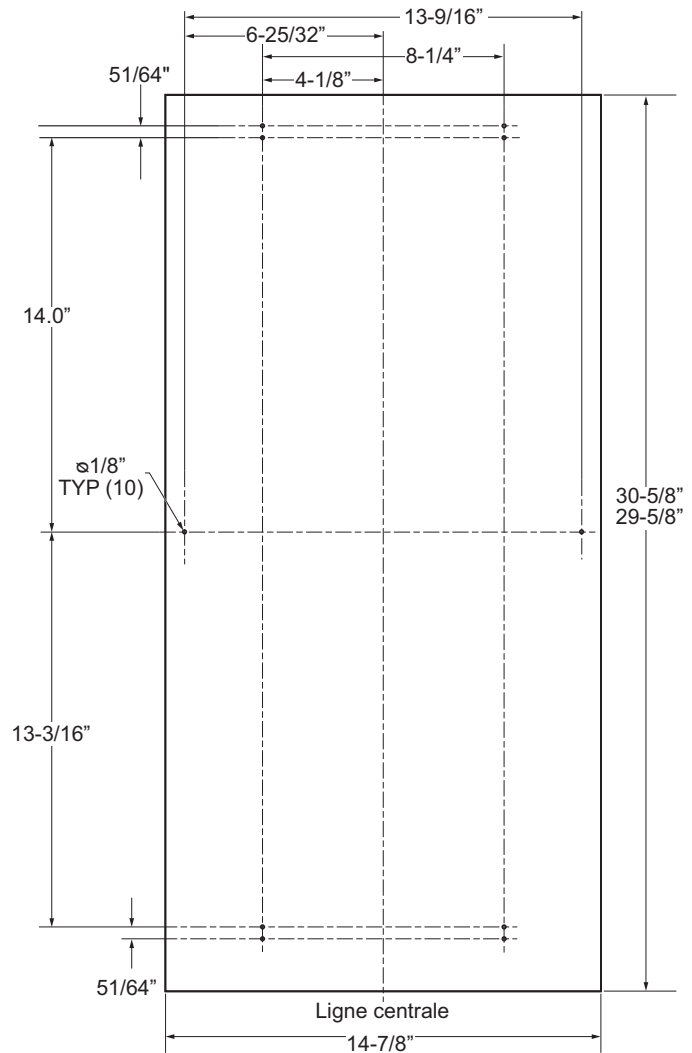
grosor: 5/8" a 3/4"

Para el Panel a Medida:

1. Coloque el producto en la abertura y realice su nivelación ajustando las tapas niveladoras según sea necesario.
2. Mida cuánto es necesario extender el panel a medida, si esto es necesario, sobre el panel de la puerta interior a fin de hacer coincidir cualquier panel sobre cualquiera de los lados. Observe que el espacio libre entre la parte superior del panel y la mesada deberá poseer un mínimo de 1/8".
3. Retire la puerta quitando los 4 tornillos de las bisagras.
4. Corte el panel hasta el ancho especificado y a la altura deseada.



5. Apoye el panel sobre una superficie y alinee la puerta sobre el panel de modo que quede ubicada de acuerdo con lo medido en el paso 2. Los lados del panel se deberán alinear con los lados de la puerta.
6. Marque las ubicaciones de por lo menos 4 agujeros en la parte superior e inferior. Retire la puerta y mida y marque cualquier agujero restante de acuerdo con el diagrama.
7. Perfore agujeros piloto en la parte trasera del panel de acuerdo con sus marcas. Use un tope de broca para evitar atravesar el panel al perforar.



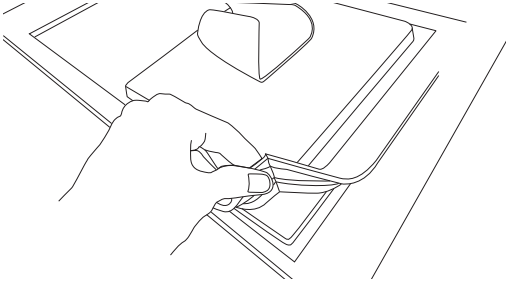
Instrucciones de instalación

INSTALACIÓN DEL PANEL DE LA PUERTA (Cont.)

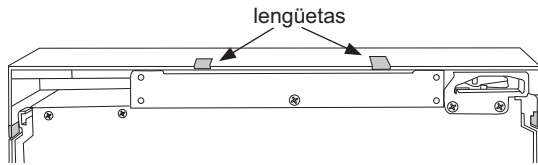
Si el balanceo de la puerta será modificado, por favor complete esto antes de realizar la instalación del panel de la puerta. Consulte la página 13. Dependiendo del kit de puerta que se instalará, es posible que sea necesario dar vuelta la manija de la puerta si se cambiará el balanceo de la puerta. Por favor, consulte las instrucciones de la página 18 sobre cómo dar vuelta la manija de la puerta.

Adhesión del Panel de Puerta

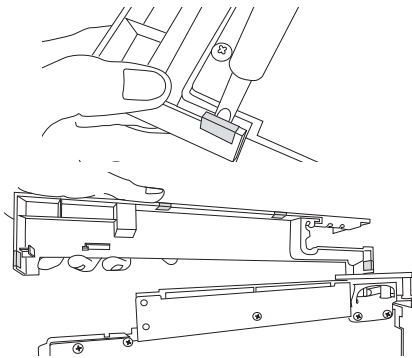
1. Retire la junta del lado interior de la puerta y conserve la misma para su uso posterior.



2. Identifique las 4 lengüetas de presión sobre los bordes de puerta decorativos superior e inferior.

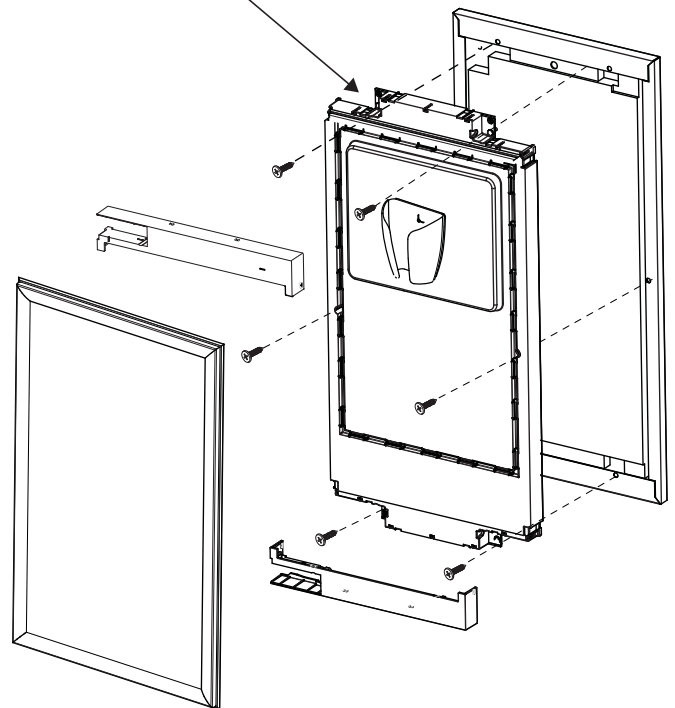
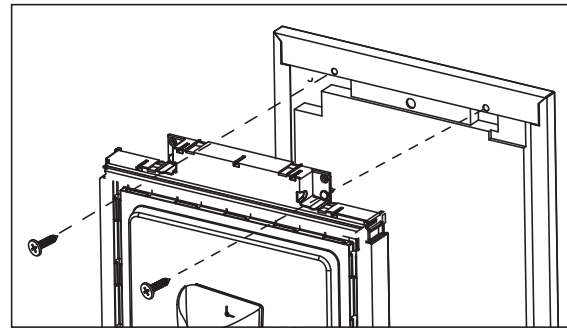


3. Haga presión sobre cada lengüeta y empuje hacia abajo sobre el marco como se muestra, hasta que pueda retirar cada uno de los marcos.



4. Retire cualquier cobertura protectora de plástico del panel de la puerta de acero inoxidable.
5. Coloque el panel de la puerta en la parte exterior de la puerta y asegure el mismo con 6 tornillos de metal. (Provistos en el Kit del Panel de la Puerta).

6. Vuelva a calzar los marcos superior e inferior sobre el panel interior.
7. Vuelva a instalar la junta de la puerta.



Instrucciones de instalación

INSTALACIÓN DEL PANEL DE LA PUERTA (Cont.)

⚠ ADVERTENCIA



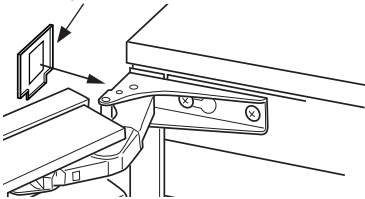
Riesgo de

Lastimadura con la Bisagra de la Puerta

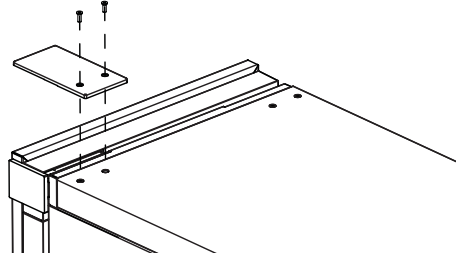
Mientras cierra la bisagra, mantenga los dedos alejados de las partes móviles interiores de la bisagra.

8. Adhiera las tapas laterales del paquete de herramientas sobre la bisagra, pelando la cobertura que está sobre el adhesivo y colocando la misma sobre el costado de la bisagra. Nota: Si se empotrará la unidad, se podrá usar un tornillo para atornillarla al gabinete en lugar de instalar las tapas laterales.

Tapas laterales



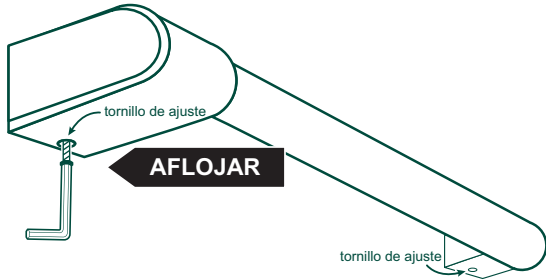
9. También en las aplicaciones con modo de pie, adhiera la tapa de la bisagra superior del paquete de herramientas con los 2 tornillos provistos.



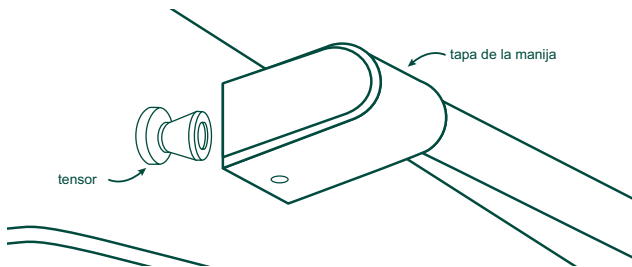
Instrucciones de instalación

INSTRUCCIONES PARA INVERTIR LA POSICIÓN DE LA MANIJA

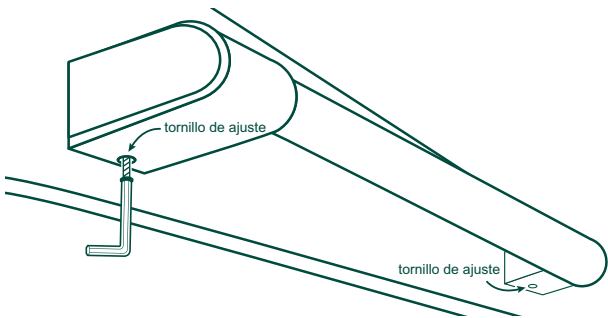
1. Retire la llave Allen del sobre del kit de tornillos del panel de instalación.
2. Afloje el tornillo de ajuste utilizando la llave Allen. Retire la manija y de vuelta la misma, de modo que el logo mire hacia el lado contrario.



3. Coloque las tapas de la manija sobre los tensores de la puerta. Asegúrese de sostener la manija de modo tal que no caiga y raye el acabado del electrodoméstico. Asegúrese de que ambas tapas de las manijas estén apoyadas sobre la base de la puerta.



4. Bloquee un extremo de la manija en su posición, ajustando el tornillo en la tapa de la manija con la llave Allen provista. NO ajuste en exceso.



5. Continúe sosteniendo la manija mientras bloquea el otro extremo de la manija en su posición, ajustando el tornillo en la tapa de la manija. NO ajuste en exceso.

PLOMERÍA – BOMBA DE DESAGÜE Instalación del Desagüe

Una bomba de desagüe está disponible para esta máquina de hielo. El número del kit de la bomba de desagüe es UPK3 y está disponible en GEApplianceparts.com o llamando al 877-959-8688. En Canadá, visite GEAppliances.ca o comuníquese al 800.661.1616.

PLOMERÍA – DESAGÜE POR GRAVEDAD

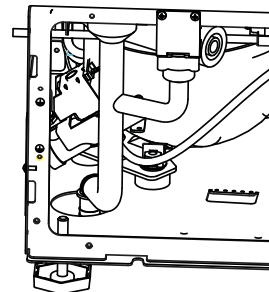
Drain Installation

⚠ AVISO

Restricciones en el sistema de desagüe hasta la máquina harán que el agua retroceda en la hielera y que derrita el hielo. La tubería de desagüe por gravedad debe estar ventilada, no poseer torceduras, y descender hasta el desagüe del edificio. De forma típica, las brechas de aire son requeridas por los códigos locales.

A: Drenaje del Piso Ubicado Debajo de la Unidad

1. Ubique la unidad (máquina de hielo) frente a la abertura de instalación. Ajuste las patas niveladoras en la altura apropiada.
2. Retire el panel de acceso a la conexión del drenaje del lado izquierdo (de frente hacia el producto).
3. Retire la tapa/ tapón plástico de la charola de la base de la unidad.
4. Retire la abrazadera y gire el codo dentado sobre la tubería de drenaje, de modo que se realice el drenaje a través de la charola de la base y dentro del drenaje del piso. Vuelva a asegurar la abrazadera.

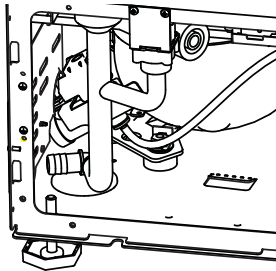


5. Vuelva a instalar los paneles de acceso.
6. Al intentar ubicar el drenaje de la unidad lo más cerca posible del drenaje del piso, con cuidado empuje la unidad hasta su ubicación.

PLOMERÍA – DRENAJE POR GRAVEDAD (Cont.)

B: Drenaje del Piso Ubicado Fuera del Lateral o Parte Trasera de la Unidad (no directamente debajo de la unidad)

1. Ubique la unidad (máquina de hielo) frente a la abertura de instalación. Ajuste las patas niveladoras en la altura apropiada.
2. Retire el panel de acceso a la conexión del drenaje del lado izquierdo (de frente hacia el producto).
3. Conduzca una tubería de tygon de 5/8" de diám. int. X 7/8" de diám. ext. (retire el plástico) a través del orificio del panel inferior trasero. Conecte la tubería del codo dentado y asegure el mismo con una abrazadera. **NOTA:** La tubería y la abrazadera no están incluidas y se deberán adquirir por separado.
4. Tenga cuidado al medir la cantidad de tubería necesaria para llegar al drenaje de la tubería y cortar la longitud deseada. **NOTA:** Asegúrese de que haya suficiente tubería para llegar hasta el drenaje, pero no demasiada para evitar que sea retorcida o apretada cuando se mueva a su posición.



5. Vuelva a instalar los paneles de acceso.

Suministro de Agua

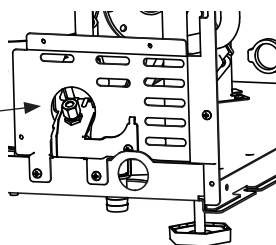
La tubería de suministro de agua recomendada posee el número de pieza WX08X10006G. y se encuentra disponible en GEApplianceparts.com o llamando al 877-959-8688. En Canadá, visite GEAppliances.ca o llame al 800.561.3344.

Instale una válvula de cierre de fácil acceso entre el suministro y la unidad. Esta válvula de cierre no se deberá instalar detrás de la unidad.

La conexión de agua se encuentra en la parte trasera del gabinete.

Una vez instalada: Enrosque una cantidad suficiente de tubería detrás de la máquina, de modo que se pueda empujar hacia la cavidad sin retorcer la misma.

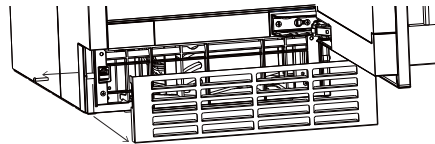
Conecte el suministro de agua aquí.



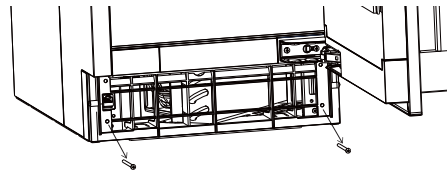
UBICACIÓN DEL ZÓCALO

El zócalo se podrá ajustar para lograr la alineación con sus gabinetes. El zócalo viene instalado en la posición hacia adentro. Para mover el zócalo hacia la posición hacia afuera:

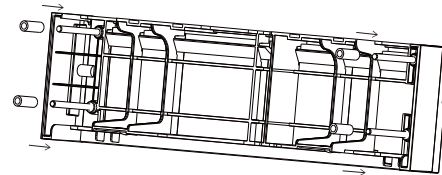
1. Afloje los tornillos sobre ambos lados, como se muestra, a fin de retirar el zócalo metálico.



2. Afloje los 2 tornillos largos sobre el frente y retire la estructura plástica.

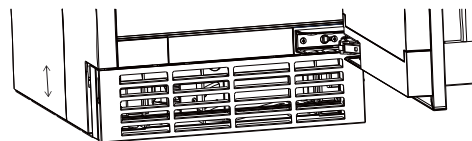


3. Inserte los bujes provistos en la bolsa con instrucciones sobre las 2 entradas y los 2 tornillos de adherencia sobre la parte trasera de la estructura, como se muestra.



4. Vuelva a instalar la estructura plástica usando los 2 tornillos largos.

5. Vuelva a instalar el zócalo metálico usando los 2 tornillos sobre el lateral. El zócalo se podrá ajustar hacia arriba y abajo hasta la posición deseada.



Instrucciones de instalación

Instalación del Accesorio del Kit de la Bomba de Drenaje UPK4

ANTES DE COMENZAR

Lea estas instrucciones en su totalidad y atentamente.

- **IMPORTANTE** – Conserve estas instrucciones para uso del inspector local.
- **IMPORTANTE** – Cumpla con todos los códigos y ordenanzas gubernamentales.
- **Nota para el Instalador** – Asegúrese que el Comprador conserve estas instrucciones.
- **Nota para el Consumido** – Guarde estas instrucciones para referencia futura.
- Nivel de habilidad – La instalación de este dispositivo requiere un nivel básico de habilidades mecánicas.
- La correcta instalación del producto es responsabilidad del instalador.
- Si se producen fallas en el producto debido a una instalación inadecuada la Garantía no cubrirá las mismas.

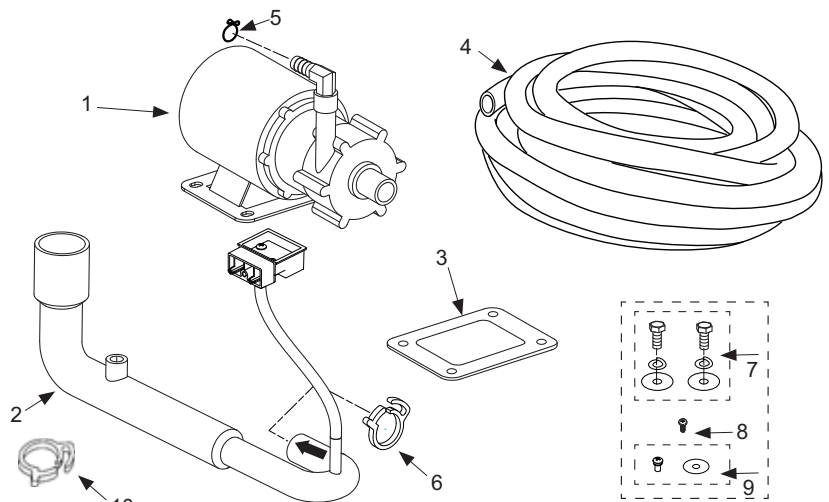
QUÉ NECESITARÁ:

- Llave abierta/de caja de 3/8" o llave de ajuste
- Destornillador Phillips nº2
- Pinza de corte
- Pinza de corte lateral

NOTA: Esta bomba puede ser instalada en una máquina de hielo para cubos o en una máquina de hielo en pepitas.

CONTENIDOS DEL KIT:

- 1 - Ensamble de la Bomba de Drenaje y la Válvula de Control (1)
- 2 - Ensamble de la Tubería de Drenaje de PVC y el Sensor de Presión (1)
- 3 - Almohadilla de Goma (Para Montaje en la Bomba) (1)
- 4 - Tubería de Descarga – Vacía (1)
- 5 - Abrazadera Metálica (Para la Tubería de Descarga) (1)
- 6 - Anillo de Retención de Plástico (1)
- 7 - Pernos de Ajuste de la Bomba (2); Arandela Elástica (2); Arandela Plana (2)
- 8 - Tornillo de la Carcasa del Sensor de Presión (ST/4*12) (1)
- 9 - Tornillo a Tierra con Arandela (M/4*8) (1); Arandela de Bloqueo (1)
- 10 - Anillo Plástico de Retención pequeño (1) (en algunos kits)



Instrucciones de instalación

Instalación del Accesorio del Kit de la Bomba de Drenaje UPK4 (cont.)

1 DESCONECTE LA CORRIENTE

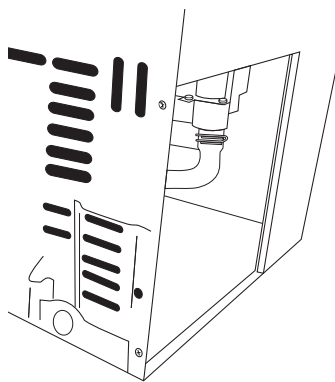
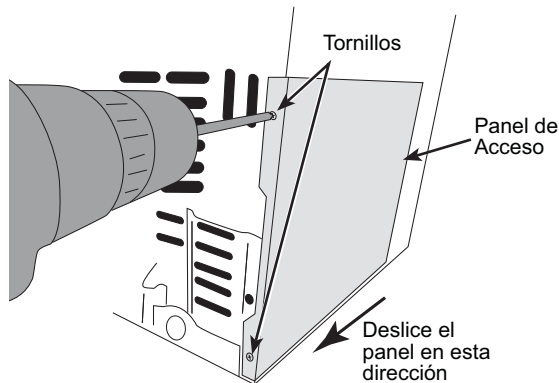
⚠ ADVERTENCIA **Riesgo de Descarga Eléctrica**

Si no se siguen estas instrucciones, se podrá producir la muerte o lesiones graves.

- El servicio técnico sólo debe ser realizado por un técnico calificado.
- Desconecte la corriente antes de realizar el servicio técnico de este producto.
- Luego del servicio técnico, vuelva a conectar todos los dispositivos de conexión a tierra.
- Reemplace todas las piezas y paneles antes de utilizar.

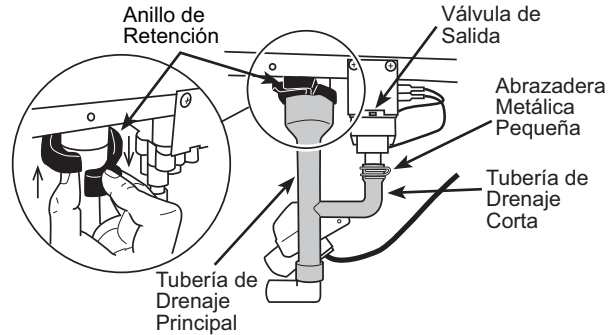
1 RETIRE LA TAPA DE ACCESO

- Use un taladro o un destornillador Phillips para retirar los 2 tornillos del panel de acceso, como se muestra en la siguiente figura. Deslice el panel en la dirección mostrada para su retiro.

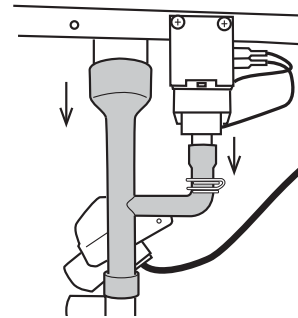


2 RETIRE LA TUBERÍA DE DESAGÜE

- Retire el anillo de retención de plástico de la tubería de desagüe blanca. Mueva los laterales del anillo hacia arriba y abajo como se muestra para desbloquear y retirar el mismo. Guarde este anillo.

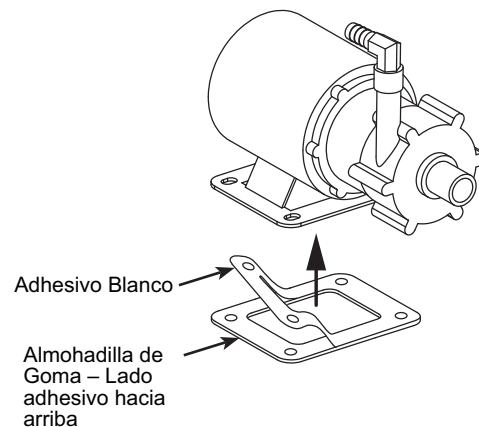


- Retire la tubería de desagüe blanca empujando ésta hacia abajo desde la 2 ubicaciones que se muestran.



3 INSTALE LA ALMOHADILLA DE GOMA EN LA BOMBA NUEVA

- Retire el protector del adhesivo blanco de la almohadilla de goma rectangular y adhiera el lado adhesivo a la bomba de desagüe.

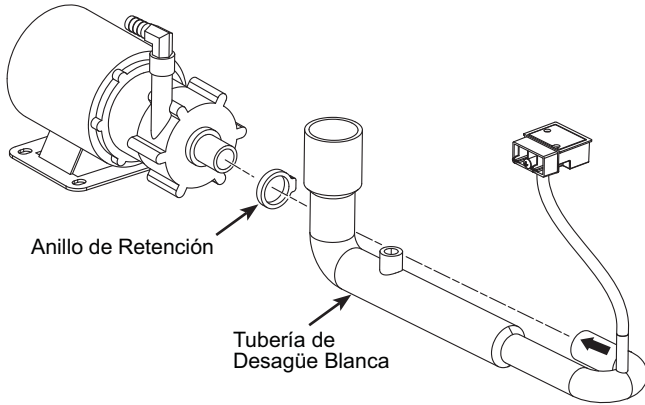


Instrucciones de instalación

Instalación del Accesorio del Kit de la Bomba de Drenaje UPK4 (cont.)

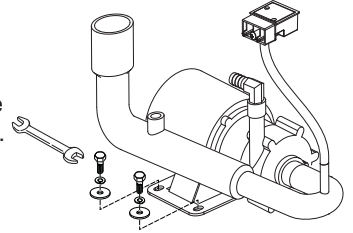
4 INSTALE LA NUEVA TUBERÍA DE DESAGÜE

- Instale la nueva tubería de drenaje blanca en los accesorios de la bomba de drenaje y sujete la misma con el anillo de retención incluido con el kit. Por favor, asegúrese de que el lateral con la flecha mire hacia arriba durante la instalación.



5 INSTALE LA BOMBA DE DESAGÜE (Cont.)

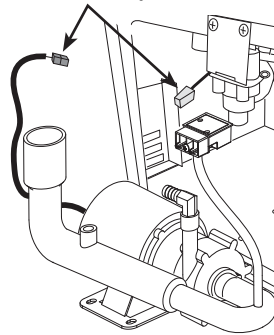
- Usando las herramientas del kit, adhiera la bomba a la base de la máquina de hielo usando una llave.



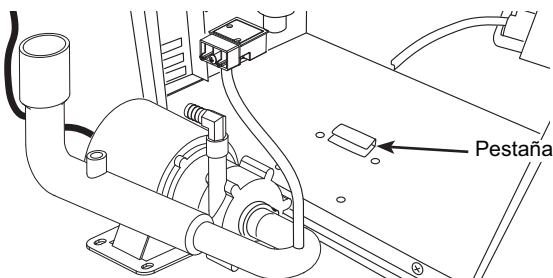
5 INSTALE LA BOMBA DE DESAGÜE

- Inserte el conector rojo de la bomba de desagüe en el conector rojo que verá sobre un cable dentro de la máquina de hielo.

Conectores Rojos



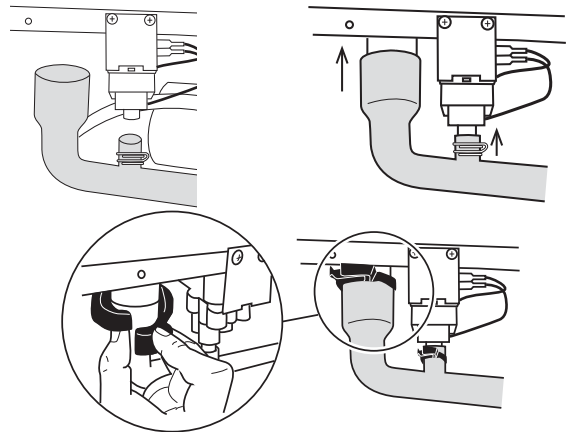
- Deslice la bomba de desagüe dentro de la máquina de hielo de modo que la base se deslice por debajo de la lengüeta, sobre la base del apoyo de la máquina de hielo. La parte frontal de la bomba con la manguera adherida quedarán frente a la máquina de hielo.



6 CONECTE LA BOMBA DE DESAGÜE A LA MÁQUINA DE HIELO

Para el kit de la bomba sin el anillo plástico de retención pequeño (artículo 10 en la lista de contenidos del kit de la Bomba).

- Guarde el anillo de retención de plástico y la abrazadera metálica del ensamble de la tubería original.
- Deslice la pequeña abrazadera metálica en la tubería de desagüe corta del tubo de PVC, como se muestra en la siguiente imagen. Presione la tubería hacia arriba para conectar ambas tuberías sobre las uniones de la máquina de hielo que fueron desconectadas de forma previa. Vuelva a calzar y asegurar el anillo de retención grande y ajuste el mismo en la conexión de la tubería de desagüe principal. Deslice hacia arriba y asegure la abrazadera metálica pequeña sobre la conexión.



Para el kit de la bomba con el pequeño anillo plástico de retención (artículo 10 en la lista de contenidos del kit de la Bomba).

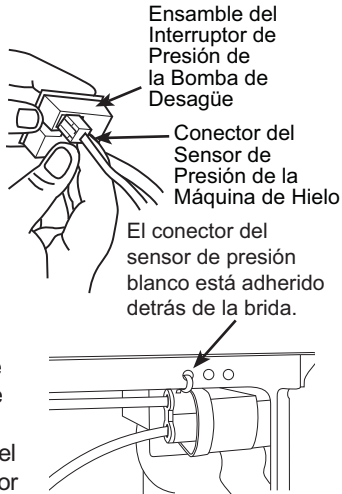
- Guarde el anillo de retención de plástico del ensamble de la tubería original y tome el pequeño anillo de retención de plástico del paquete del embalaje.
- Presione la tubería de drenaje de PVC hacia arriba para conectar ambas tuberías sobre las uniones de la máquina de hielo que fueron desconectadas de forma previa. Calce y asegure los 2 anillos de retención, uno grande y uno pequeño, en las conexiones de la tubería de drenaje.

Instrucciones de instalación

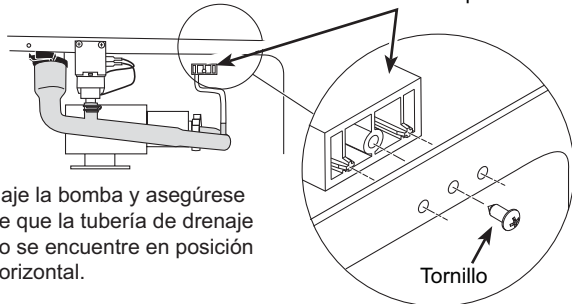
Instalación del Accesorio del Kit de la Bomba de Drenaje UPK4 (cont.)

6 CONECTE LA BOMBA DE DESAGÜE A LA MÁQUINA DE HIELO (Cont.)

- Ubique el conector del sensor de presión blanco macho de 4 clavijas detrás del agujero del soporte, afloje el nudo del cable e inserte el conector de coleta en el sensor de presión, ubicado sobre el ensamble de la tubería de drenaje. Si el conector del sensor de presión blanco macho de 4 clavijas no aparece en el área de abertura para el acceso, ubique el conector en el área del compartimiento de la máquina cercana y conecte el mismo al sensor de presión sobre el ensamble de la tubería de drenaje. El conector macho de 4 clavijas dentro de la máquina de hielo coincide con el conector hembra de 4 clavijas del sensor de presión. Nota: el conector amarillo dentro de la máquina de hielo no se deberá usar.

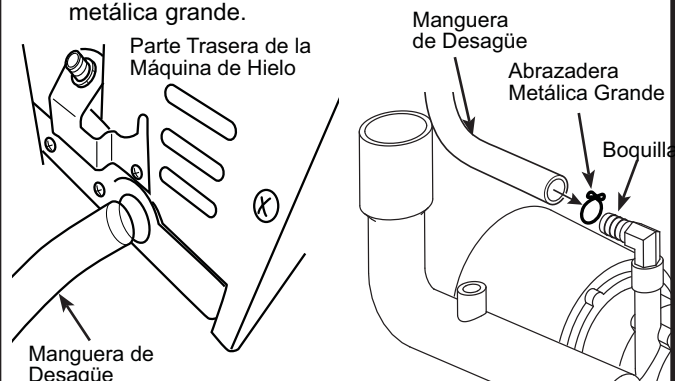


Ensamble del Interruptor de Presión



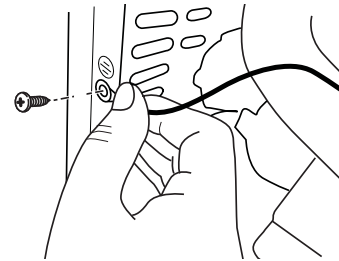
Adhiera el ensamble del interruptor de presión sobre los 3 agujeros de la brida de la máquina de hielo, como se muestra, usando el tornillo provisto con el kit.

- Enrosque la manguera de desagüe en el agujero redondo que se encuentra sobre la parte trasera de la carcasa de la máquina de hielo, y adhiera la boquilla sobre la bomba de desagüe usando la abrazadera metálica grande.



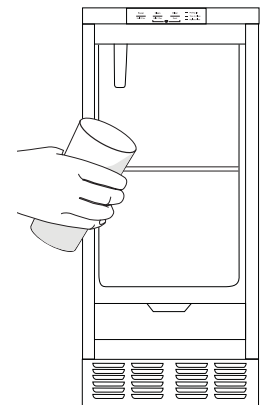
6 CONECTE LA BOMBA DE DESAGÜE A LA MÁQUINA DE HIELO (Cont.)

- **IMPORTANTE** Conecte a tierra la bomba sobre el gabinete de la máquina usando el cable de conexión a tierra verde y el tornillo. El orificio de conexión a tierra está marcado con un símbolo de conexión a tierra.



7 CONTROLE EL FUNCIONAMIENTO DE LA BOMBA (NO SALTEE ESTE PASO)

- Vuelva a conectar la unidad.
- Vierta varios cuartos de galón de agua en el recipiente; la bomba de drenaje se debería encender y bombear el agua hacia afuera del recipiente de forma automática. Es normal que realice varios ciclos de encendido y apagado durante el proceso. Controle las conexiones en caso de que la bomba no responda.
- Mientras la bomba se encuentre descargando agua; CON CUIDADO CONTROLE QUE NO HAYA PÉRDIDAS EN TODO EL SISTEMA DE DESAGÜE.



8 FINALIZACIÓN DE LA INSTALACIÓN

- Vuelva a instalar los paneles y protectores.
- Vuelva a instalar la unidad en la ubicación empotrada o con pedestal. ASEGÚRESE DE QUE NO HAYA BLOQUEOS EN LA ENTRADA O AGUA NI EN LA TUBERÍA DE DESAGÜE. ¡Realice un doble control de pérdidas!
- Reestablezca el suministro de agua potable y reinicie la unidad. Controle la unidad a fin de asegurar un funcionamiento adecuado y para realizar un control final de pérdidas de cualquier tipo.

GSWF Filtro de Agua

Cartucho del Filtro de Agua

El cartucho del filtro de agua se encuentra ubicado en la parte inferior de la máquina de hielo, detrás de la puerta del acceso al filtro de agua.

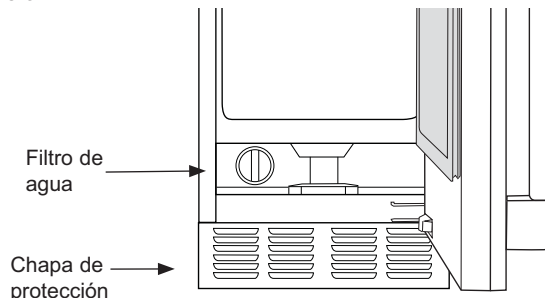
Cuándo Reemplazar el Cartucho del Filtro

El indicador de "Reemplazo del Filtro" se iluminará cuando sea tiempo de ordenar un filtro. Esto ocurrirá aproximadamente luego de 5 meses o antes, luego de períodos de mucha producción de hielo. Para ordenar cartuchos de filtro adicionales, visite nuestro sitio web en gewaterfilters.com o comuníquese con Piezas y Accesorios de GE Appliances (GE Appliances Parts and Accessories), 877.959.8688 y ordene el filtro GSWF.

El indicador de "Reemplazo del Filtro" parpadeará cuando sea tiempo de reemplazar el filtro. Esto ocurrirá aproximadamente luego de 6 meses o antes, después de períodos de mucha producción de hielo.

Reemplazo del Filtro

1. Asegúrese de que la conexión esté apagada (controlando de que la luz del hielo no esté encendida).
2. Abra la puerta de acceso del filtro de agua empujando la parte superior de la puerta hasta que se abra con un movimiento rápido.
3. De forma suave, tome el filtro y lentamente dé al mismo aproximadamente $\frac{1}{4}$ de giro hasta que se pueda retirar. Es posible que gotee una pequeña cantidad de agua del filtro.



Tapón del Bypass del Filtro

De no haber disponible un reemplazo para el cartucho del filtro, se deberá usar un tapón del bypass para que la máquina de hielo pueda funcionar. Para acceder a un tapón del bypass, comuníquese al 800.GECARES y solicite el tapón del bypass del filtro WR02X11613. En Canadá, comuníquese al 800.561.3344. El panel del lado izquierdo se deberá retirar para instalar el tapón del bypass del filtro. Asegúrese de desenchufar la máquina de hielo antes de intentar instalar un tapón del bypass.

Instalación del Filtro

1. Abra la puerta de acceso del filtro de agua empujando la parte superior de la puerta hasta que se abra con un movimiento rápido.
2. Inserte el filtro hasta que quede alineado en su espacio correspondiente.
3. Lentamente, gire el filtro hacia la derecha hasta que se detenga. **NO LO AJUSTE EN EXCESO.** Mientras gira el filtro, el mismo se ajustará automáticamente en su posición. El filtro se moverá aproximadamente $\frac{1}{4}$ de giro o 90 grados cuando se encuentre en la posición correcta.
4. De forma suave, cierre la puerta de acceso al filtro hasta que calce sobre su posición.
5. Presione el botón de "Reinicio del Filtro" para reiniciar el temporizador/ contador del filtro.

Ante cualquier duda o para ordenar cartuchos de filtro adicionales, visite nuestro sitio web en gewaterfilters.com o llame a Piezas y Accesorios de GE Appliances (GE Appliances Parts and Accessories), 877.959.8688.

Cuidado y limpieza

Limpieza de la Parte Exterior

La puerta y la manija de la puerta de acero inoxidable se pueden limpiar con un limpiador de acero inoxidable disponible comercialmente. Los limpiadores con ácido oxálico tales como Bar Keepers Friend Soft Cleanser™ eliminarán el óxido, deslustres y pequeñas manchas.

Use sólo un limpiador líquido libre de material abrasivo y frote en la dirección de las líneas del cepillo con una esponja suave y húmeda. No use cera para electrodomésticos ni pula sobre el acero inoxidable.

Limpieza del Condensador

⚠️ AVERTISSEMENT  **Riesgo de Descarga Eléctrica**

A fin de eliminar el riesgo de descargas eléctricas o lesiones, usted deberá primero desenchufar la máquina de hielo antes de realizar el procedimiento. Si no se siguen estas instrucciones se podrá producir una descarga eléctrica o la muerte.

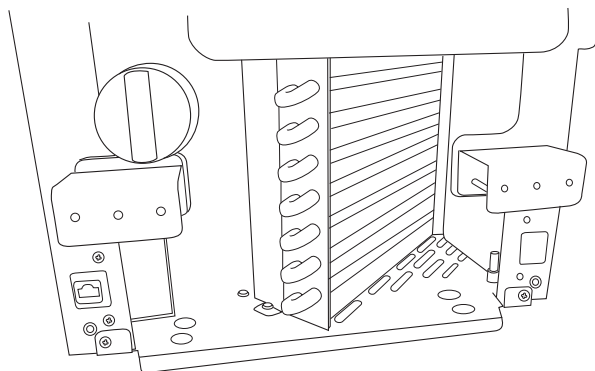
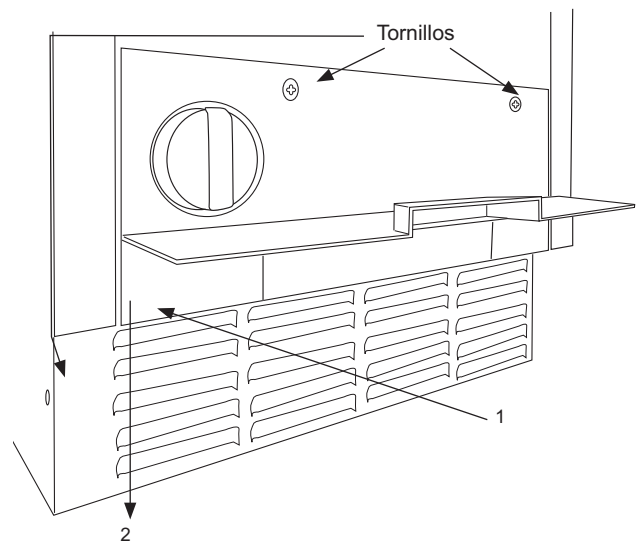
El condensador posee aletas y tuberías que se pueden atascar con suciedad y pelusa.

Para limpiar:

1. Desenchufe la máquina de hielo.
2. Retire la chapa de protección quitando los 2 tornillos sobre los costados de la rejilla metálica, y luego los 2 tornillos adicionales sobre el frente de la chapa de protección. Empuje la chapa de protección hacia adelante para su retiro. Para acceder a la parte superior del condensador, retire la puerta quitando las bisagras del gabinete. Abra la puerta de acceso al filtro de agua y retire los 2 tornillos de la tapa del filtro. Retire la placa de la tapa de la bisagra del lado opuesto a esta última, presionando de manera firme hacia adentro y deslizando hacia abajo. Empuje la tapa del filtro hacia adelante para su retiro.
3. Vacíe la superficie para eliminar todo el polvo y pelusa.

⚠️ AVISO **No dañe las aletas.**

4. Vuelva a instalar la tapa del filtro, la chapa de protección y la puerta.



Cuidado y limpieza

MODELO UCC15NP*

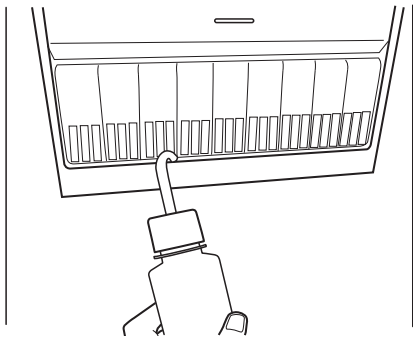
La limpieza de la máquina de hielo involucra la adhesión de un limpiador a la misma.

Usted deberá utilizar guantes de goma al usar el removedor de sarro. Para ordenar el limpiador, visite GEApplianceParts.com o llame al 877-9598688. Ordene la pieza número WX01X40745.

1. Vierta 3 onzas de limpiador dentro del rociador.
2. Si la unidad se encuentra encendida, mantenga presionado el botón Power (Encendido) durante 3 segundos. La luz de Icemaking (Producción de Hielo) parpadeará hasta que la cantidad actual de hielo sea liberada. Esto podrá llevar hasta 30 minutos.



3. Retire con la cuchara y descarte todo el hielo que se encuentre en el recipiente.
4. Una vez que la luz de Icemaking (Producción de Hielo) se apague, mantenga presionado el botón Clean (Limpiar) durante 3 segundos para iniciar la función de limpieza. La luz de Time to Clean (Hora de la Limpieza) comenzará a parpadear.
5. Una vez que la luz de Time to Clean (Tiempo de la Limpieza) comience a parpadear, agregue 3 onzas de limpiador dentro del rociador, como se muestra.



6. La máquina de hielo continuará el proceso de limpieza. Esto puede llevar hasta una hora. Una vez completado el proceso, la luz de **Time to Clean** (Tiempo de la Limpieza) se apagará.
7. Vierta aproximadamente ½ galón de agua caliente (95-115°F) en el recipiente a fin de despejar el mismo.
8. Mezcle una onza de limpiador con un cuarto de agua y limpie el recipiente de hielo, la puerta interior y las superficies de las juntas.
9. Sanitice el recipiente y drene vertiendo una mezcla de 1 onza de blanqueador hogareño con 2 galones de agua en el recipiente.
10. Vuelva a enjuagar el recipiente con agua caliente.
11. Mantenga presionado el botón **Power** (Encendido) durante 3 segundos para reiniciar la producción de hielo.

La cuchara de hielo se deberá lavar de forma regular.

Acondicionamiento para el Invierno

1. Con la máquina de hielo en el modo Making Ice (Produciendo Hielo), abra la puerta y presione el botón Power (Encendido) para apagar la misma. La luz de "Making Ice" (Produciendo Hielo) parpadeará hasta que el ciclo de producción de hielo actual sea completado (hasta 20 minutos) y el tanque de la máquina de hielo se drenará de forma automática. (Asegúrese de apagar la máquina de hielo de este modo. Si la máquina de hielo es desenchufada sin apagar la misma primero, el agua del tanque no será drenada).

2. Cierre el suministro de agua.
3. En los modelos que cuenten con una bomba de drenaje instalada se deberá verter aproximadamente 1/2 galón de anticongelante RV (propilenglicol) en el drenaje del cubo de almacenamiento de hielo.

NOTA: NO se deberá usar anticongelante para automotores.

4. Apague y desenchufe la máquina.

Vacaciones

Si planea estar fuera de su casa durante un periodo de tiempo prolongado, se recomienda apagar la máquina de hielo

1. Mantenga presionado el botón "Power" (Encendido) durante 3 segundos.

2. Si la máquina de hielo está produciendo hielo al estar apagada, el indicador de Making Ice (Haciendo Hielo) parpadeará hasta durante 20 minutos, a fin de permitir que la máquina de hielo complete el proceso de producción antes del apagado. La máquina de hielo también drenará el agua que quede en el tanque cada vez que se apague.

Consejos para la Solución de Problemas... Antes de solicitar el servicio técnico

¡Ahorre tiempo y dinero! Primero revise los cuadros que aparecen en las siguientes páginas y es posible que no necesite solicitar reparaciones.

Problema	Causas Posibles	Qué hacer
Promedio bajo de hielo	Desagüe restringido o agua restante en el cesto	Limpie los alerones del condensador enfriados por el aire.
		Limpie el sistema de la máquina de hielo.
	Controle que no haya torceduras en la tubería de desagüe.	
	Es posible que la temperatura del ambiente sea alta	La máquina de hielo funciona en temperaturas de entre 60 y 90 grados F.
La formación de cubos de hielo es incompleta	Sarro en el sistema de producción de hielo	Limpie el sistema de producción de hielo.
Sin hielo	Apague y desenchufe la máquina..	Mantenga presionado el botón "Power" (Encendido) durante 3 segundos para encender la máquina de hielo. La luz de "Producción de Hielo" se deberá encender.
	El disyuntor se desactivó.	Vuelva a activar el disyuntor.
	El suministro de agua es bajo.	Si la luz de Control del Agua está titilando en Rojo, el suministro de agua es bajo. Es posible que sea necesario reemplazar el filtro.
	Problema en un componente o en el sensor. (Diferentes luces del panel de control estarán parpadeando)	Llame al servicio técnico.
La luz de <i>Time to Clean (Hacer la Limpieza)</i> está activada.		Limpie el sistema de la máquina de hielo siguiendo las instrucciones de la sección de Cuidado y Limpieza.
Se acumula agua en el cubo de hielo	La tubería de drenaje está retorcida	Use una tubería de drenaje que no sufra torceduras.

Ruido

La máquina de hielo fue diseñada para funcionar de forma silenciosa, pero realizará cierto nivel de ruido durante el ciclo de producción de hielo. Durante un ciclo de congelamiento, es normal escuchar que el ventilador mueve el aire y la bomba de agua hace circular el agua. Se podrá escuchar el hielo golpear el recipiente o el hielo en el recipiente durante la recolección.

GE Appliances Garantía Limitada de la Máquina de Hielo

GEAppliances.com

Todo el servicio de garantía es provisto por nuestros Centros de Servicio de Fabricación, o un técnico autorizado de Servicio al Cliente (800.462.2737). Para programar una visita del servicio técnico, visítenos en **GEAppliances.com**, o comuníquese al 800.GE.CARES (800.432.2737). Cuando llame para solicitar el servicio, tenga los números de serie y modelo disponibles.

Por el Período de:	GE Appliances Reemplazará
Un Año Desde la fecha de la compra original	Cualquier parte de la máquina de hielo que falle debido a un defecto en los materiales o la fabricación. Durante esta garantía limitada de un año , GE Appliances también proveerá, sin costo, todo el trabajo y el servicio relacionado con el reemplazo de la parte que presente defectos.
Cinco Años Desde la fecha de la compra original	Cualquier parte del sistema de refrigeración sellado (el compresor, condensador, evaporador y todas las tuberías de conexión) que falle debido a un defecto en los materiales o la fabricación. Durante esta garantía de cinco años del sistema de refrigeración sellado , GE Appliances también proveerá, sin costo, todo el trabajo y el servicio relacionado con el reemplazo de la parte que presente defectos en el sistema de refrigeración sellado.

Qué No Cubrirá GE Appliances:

- Viajes del técnico del servicio a su hogar para enseñarle sobre cómo usar el producto.
- Instalación, entrega o mantenimiento inadecuados.
- Fallas del producto en caso de abuso, mal uso, o uso para propósitos diferentes al original o uso comercial.
- Reemplazo de fusibles de la casa o reinicio de disyuntores.
- Daño causado después de la entrega.
- Reemplazo de las lámparas, si están incluidas.
- Daños ocasionados sobre el producto por accidente, incendio, inundaciones o catástrofes naturales.
- Daños consecuentes o incidentales causados por posibles defectos de este producto.
- Producto no accesible para brindar el servicio requerido.

EXCLUSIÓN DE GARANTÍAS IMPLÍCITAS

Su única y exclusiva alternativa es la reparación del producto, como se indica en la Garantía Limitada. Las garantías implícitas, incluyendo garantías implícitas de comerciabilidad o conveniencia sobre un propósito particular, se limitan a un año o al período más corto permitido por la ley.

Abroche su recibo aquí. Para acceder al servicio técnico de acuerdo con la garantía deberá contar con la prueba de la fecha original de compra.

Esta garantía limitada se extiende al comprador original y a cualquier dueño subsiguiente de productos comprados para uso hogareño dentro de EE.UU. Si el producto está en un área donde no se encuentra disponible un Proveedor Autorizado del Servicio Técnico de GE Appliances, usted será responsable por el costo de un viaje o se podrá requerir que traiga el producto a una ubicación del Servicio Técnico de GE Appliances Autorizado para recibir el servicio. En Alaska, la garantía limitada excluye el costo de envío o llamadas del servicio a su hogar.

Algunos estados no permiten la exclusión o limitación de daños fortuitos o consecuentes. Esta garantía limitada le da derechos legales específicos y es posible que tenga otros derechos legales que varían entre un estado y otro. Para conocer cuáles son sus derechos legales, consulte a la oficina de asuntos del consumidor local o estatal o al Fiscal de su estado.

Warrantor: GE Appliances, a Haier company
Louisville, KY 40225

¿Busca Algo Más?

Están disponibles paneles acabados para puertas de acero inoxidable con manijas a través de GE Appliances, los cuales se pueden adherir a la máquina de hielo. Los kits de los paneles son:

- ZIP80SS - Puerta de acero inoxidable con Manijas Estilo Euro
- PIP70SS - Puerta de acero inoxidable con Manijas Estilo Profile
- CIP75SS - Puerta de acero inoxidable con Manijas Estilo Café
- CIP75D1 - Negro mate con manija estilo Café
- CIP75W2 - Blanco mate con manija estilo Café

Además, también ofrecemos los siguientes kits de manijas Café:

- CXXN1H1PNBT - Manija negra
- CXXN1H1PNZ - Manija bronce
- CXXN1H1PNCU - Manija cobre
- CXXN1H1PNSS - Manija acero inoxidable

NOTA: Estos kits solo funcionan con la familia CIP de kits para puertas.

Para ordenar, visite GEApplianceParts.com o comuníquese al 877-959-8688. En Canadá, visite GEAppliances.ca o comuníquese al 800.561.3344.

Extensión del Zócalo: En algunas situaciones, los niveladores de las patas se extenderán lo suficiente hasta estar visibles. Un kit para extender el zócalo sobre las patas está disponible. El número de ese kit es WR02X25708. Para ordenar, visite GEApplianceParts.com o comuníquese al 877-959-8688. En Canadá, visite GEAppliances.ca o comuníquese al 800.661.1616.

Estabilidad del Gabinete: En algunas instalaciones con pedestal, es prudente agregar un soporte antivolcaduras que asegure la parte trasera del gabinete a una pared. El número de ese kit es WR01X25709. Para ordenar, visite GEApplianceParts.com o comuníquese al 877-959-8688. En Canadá, visite GEAppliances.ca o comuníquese al 800.661.1616.

Conversión del Desagüe: Un modelo de desagüe por gravedad puede ser convertido a un modelo con bomba de desagüe, instalando un kit de bomba de desagüe. El kit de la bomba de desagüe está compuesto por una bomba de desagüe, un arnés con cables y una tubería asociada. El número de pieza es UPK3. Para ordenar, visite GEApplianceParts.com o comuníquese al 877 959-8688. En Canadá, visite GEAppliances.ca o comuníquese al 800.661.1616.

Soporte para el Consumidor

Sitio Web de GE Appliances

¿Desea realizar una consulta o necesita ayuda con su electrodoméstico? ¡Intente a través del Sitio Web de GE Appliances las 24 horas del día, cualquier día del año! Usted también puede comprar más electrodomésticos maravillosos de GE Appliances y aprovechar todos nuestros servicios de soporte a través de Internet, diseñados para su conveniencia.

En EE.UU.: GEAppliances.com

Registre su Electrodoméstico

¡Registre su electrodoméstico nuevo a través de Internet, según su conveniencia! Un registro puntual de su producto permitirá una mejor comunicación y un servicio más puntual de acuerdo con los términos de su garantía, en caso de surgir la necesidad. También puede enviar una carta en la tarjeta de inscripción preimpresa que se incluye con el material embalado.

En EE.UU.: GEAppliances.com/register

Servicio Programado

El servicio de reparación de expertos de GE Appliances está a sólo un paso de su puerta. Conéctese a través de Internet y programe su servicio a su conveniencia cualquier día del año. En EE.UU.: GEAppliances.com/service o comuníquese al 800.432.2737 durante el horario de atención comercial.

Garantías Extendidas

Adquiera una garantía extendida de GE Appliances y conozca los descuentos especiales que están disponibles mientras su garantía aún está vigente. La puede adquirir en cualquier momento a través de Internet. Los servicios de GE Appliances aún estarán allí cuando su garantía caduque.

En EE.UU.: GEAppliances.com/extended-warranty o comuníquese al 800.626.2224 durante el horario de atención comercial.

Piezas y Accesorios

Aquellos individuos calificados para realizar el servicio técnico de sus propios electrodomésticos podrán solicitar el envío de piezas o accesorios directamente a sus hogares (se aceptan las tarjetas VISA, MasterCard y Discover). Ordene hoy a través de Internet durante las 24 horas, todos los días. En EE.UU.: GEApplianceparts.com o de forma telefónica al 877.959.8688 durante el horario de atención comercial.

Las instrucciones que figuran en este manual cubren los procedimientos que serán realizados por cualquier usuario. Otros servicios técnicos generalmente deben ser derivados a personal calificado del servicio. Se deberá tener cuidado, ya que una reparación indebida podrá hacer que el funcionamiento no sea seguro.

Contáctenos

Si no se encuentra satisfecho con el servicio que recibió de GE Appliances, comuníquese con nosotros a través de nuestro sitio Web con todos los detalles, incluyendo su número telefónico, o escriba a:

En EE.UU.: General Manager, Customer Relations | GE Appliances, Appliance Park | Louisville, KY 40225

GEAppliances.com/contact.