



# TUSCANY PRODUCT SPECIFICATIONS

TVDR/TVHW/TVDDP

## TUSCANY RANGE FEATURES

- High performance burners provide fast boil times and a gentle simmer
  - 20,000 BTU – 8,500 BTU high burner ratings
- Stainless steel burner pan
- Electronic single point, spark ignition/re-ignition on all burners
- Porcelain coated cast iron burner grates
- Optional surface configurations (66" and 48" models)
  - Machined steel griddle/simmer plate (with grease collection drawer)
  - Induction elements
- 3.8 cu ft. electric oven (66"W.– both ovens / 48"– left oven / 36")
  - 25-3/4"W. x 13"H. x 19-5/8" D.
  - Stainless steel oven cavity
- Five rack positions with two oven racks including one TruGlide™ Rack
  - Eight cooking functions – Bake, Convection Bake, Tru Convection, Low Broil, High Broil, Convection Broil, Defrost, Proof
  - Two oven lights
- 2.4 cu ft. oven (48"– right oven)
  - 11-5/8"W. x 18-1/4"H. x 19-5/8"D.
  - Side swing oven door
  - One oven rack
- Storage drawer for baking pans with soft-close glides
- Polished chrome die cast knobs



TVDR6616I



TVDR4814I



TVDR3614B

## MODEL NUMBERS

- TVDR6618B – 8 gas burners
- TVDR6616G – 6 gas burners; electric griddle
- TVDR6616I – 6 gas burners; 2 induction elements
- TVDR4816B – 6 gas burners
- TVDR4814G – 4 gas burners; electric griddle
- TVDR4814I – 4 gas burners; 2 induction elements
- TVDR3614B – 4 gas burners

## COLOR FINISHES

- Volume 1 Color Finishes include Antique Bronze (AN), Blush (BH), Cast Black (CS), Damascus Gray (DG), Eucalyptus (EU), Ivy (IV), Martini (MA), November Sky (NS), Slate Blue (SB), Spiced Cider (SC), Splash (SP)



- Volume 2 Color Finishes include Daffodil (DA), Golden Hour (GH), Nantucket (NA), Onyx (ON), Pure White (PW), Squall (SQ), Valentine (VA)



- Polished chrome trim finish

## WARRANTY

- 2-year full – complete product
- 90-day full – cosmetic parts such as glass, painted items and decorative items
- 5-year limited – gas burners, electric elements



# TUSCANY PRODUCT SPECIFICATIONS

TVDR/TVHW/TVDDP

## TUSCANY HOOD FEATURES

- Heights of 30", 42" and 54", no duct covers required
- 24" deep for exceptional capture area
- Interior blower included with canopy
  - 36" width - 600 CFM
  - 48" and 66" widths - 1200 CFM

**QUIET OPERATION** – Large 3 speed blower operates at lower RPM reducing the sound level.

**LIGHTING** – Bright LED lighting offers natural looking, 3000K color spectrum. The 36" hood features 2 lights, the 48" hood features 3 lights and the 66" hood features 4 lights.

**EASE OF OPERATION** – Electronic touch controls for 3 speed blower and LED lights.

**EASY CLEANING** – Dishwasher safe, commercial style baffle filters for effectively removing airborne contaminants. Detergent inlet holes and grease exit holes in baffle filters for superior dishwasher cleaning.

**FLEXIBLE INSTALLATION** – Mounting bars at top and bottom allow for attaching to stud supports. Open top and back design for centered duct location or offset top duct and/or rear offset discharge.

**ENERGY EFFICIENT OPERATION** – LED light bulbs draw only 6 watts each and energy efficient motors draw only 2.5 amps.



TVWH480

## MODEL NUMBERS

- TVHW3630 – 36"W./30"H. Hood (8' ceiling)
- TVHW4830 – 48"W./30"H. Hood (8' ceiling)
- TVHW6630 – 66"W./30"H. Hood (8' ceiling)
- TVHW3642 – 36"W./42"H. Hood (9' ceiling)
- TVHW4842 – 48"W./42"H. Hood (9' ceiling)
- TVHW6642 – 66"W./42"H. Hood (9' ceiling)
- TVHW3654 – 36"W./54"H. Hood (10' ceiling)
- TVHW4854 – 48"W./54"H. Hood (10' ceiling)
- TVHW6654 – 66"W./54"H. Hood (10' ceiling)

## TUSCANY DISHWASHER DOOR PANEL KIT

- For use with all FDWU model dishwashers (sold separately)

## MODEL NUMBER

- TVDDP524 - 24"W.



TVDDP524

## COLOR FINISHES

- Volume 1 Color Finishes include Antique Bronze (AN), Blush (BH), Cast Black (CS), Damascus Gray (DG), Eucalyptus (EU), Ivy (IV), Martini (MA), November Sky (NS), Slate Blue (SB), Spiced Cider (SC), Splash (SP)



- Volume 2 Color Finishes include Daffodil (DA), Golden Hour (GH), Nantucket (NA), Onyx (ON), Pure White (PW), Squall (SQ), Valentine (VA)



- Polished chrome trim finish (dishwasher panel)

## WARRANTY

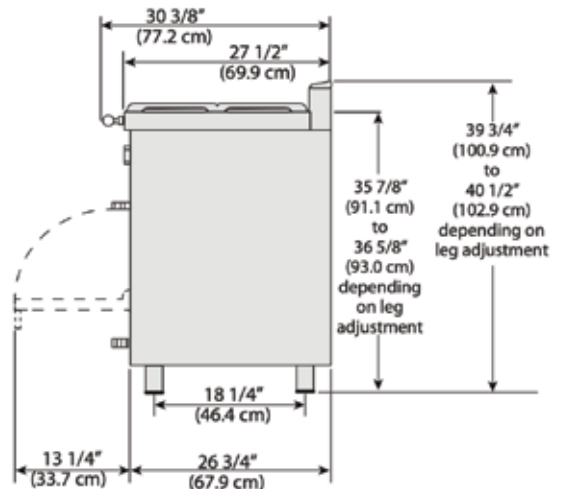
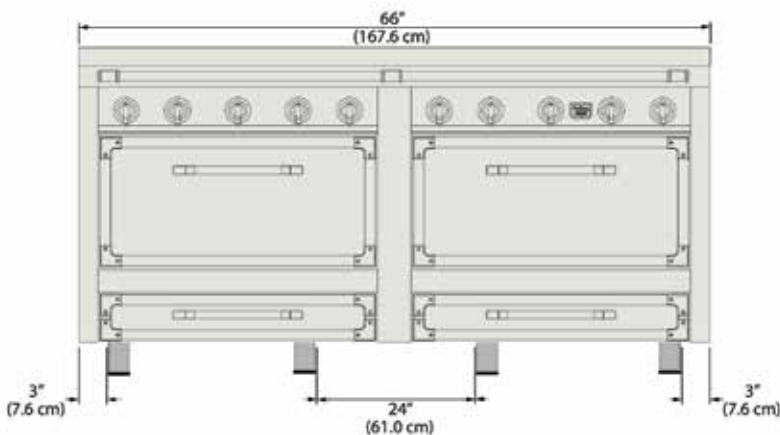
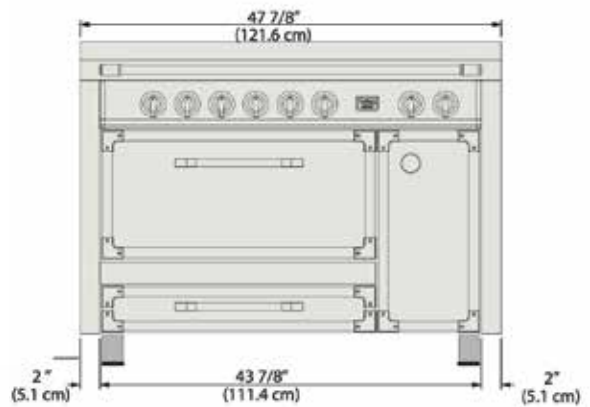
- 2-year full – complete product
- 90-day full – cosmetic parts such as glass, painted items and decorative items



# TUSCANY PRODUCT SPECIFICATIONS

TVDR/TVHW/TVDDP

TUSCANY DUAL FUEL RANGES			
DESCRIPTION	36" W.	48" W.	66"W.
Cutout Width	36" (91.4 cm)	48" (121.9 cm)	66-1/8" (168.0 cm)
Overall Width	35-7/8" (91.1 cm)	47-7/8" (121.6 cm)	66" (167.60 cm)
Overall Height From Bottom To top of side trim Leg adjustment	35-7/8" (91.1 cm) min to 36-5/8" (93.0 cm) max 3/4" (1.9 cm)		
Overall Depth From Rear To end of side panel To front of door To end of towel bar To end of door handle	26-3/4" (67.9 cm) 26-3/4" (67.9 cm) 30-3/8" (77.2 cm) 28-7/8" (35.2 cm)		
Additions To Base Height To top of island trim	add 4" (10.2 cm)		
Gas Requirements	Shipped Natural Gas, accepts standard residential 1/2" (1.3 cm) ID gas service line. Natural 5.0" W.C.P./ Liquid Propane L/P 10.0" W.C.P. Unit is field convertible with conversion kit.		
Electrical Requirements	See installation guide for more information		
Maximum Amp Usage	240V - 18.5 amps / 208V - 15.8 amps	240V - 28.5 amps / 208V - 24.4 amps	240V - 31.1 amps / 208V - 26.6 amps
Surface Ratings	See installation guide for more information		
Oven Interior Width	25-3/4" (65.4 cm)	LH 25-3/4" (65.4 cm); RH 11-5/8" (29.5 cm)	Both ovens: 25-3/4" (65.4 cm)
Oven Interior Height	13" (33.0 cm)	LH 13" (33.0 cm); RH 18-1/4" (46.4 cm)	Both ovens: 13" (33.0 cm)
Oven Interior Depth	19-5/8" (49.8 cm)	LH 19-5/8" (49.8 cm); RH 19-5/8" (49.8 cm)	Both ovens: 19-5/8" (49.8 cm)
Oven Volume Overall AHAM	3.8 cu. ft.	LH 3.8 cu. ft.; RH 2.4 cu. ft.	Both ovens: 3.8 cu. ft.
Approximate Shipping Weight	300 - 340 lbs (135 - 153 kg)	470 - 510 lbs (212 - 230 kg)	640 - 695 lbs (289 - 314 kg)



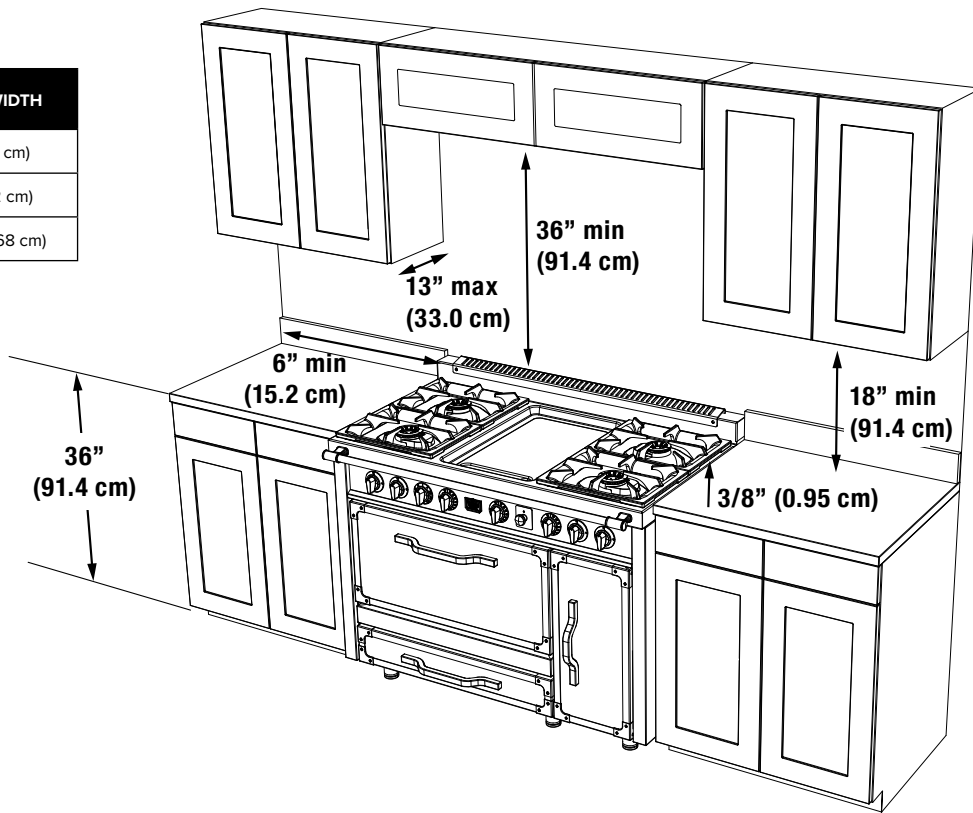


# TUSCANY PRODUCT SPECIFICATIONS

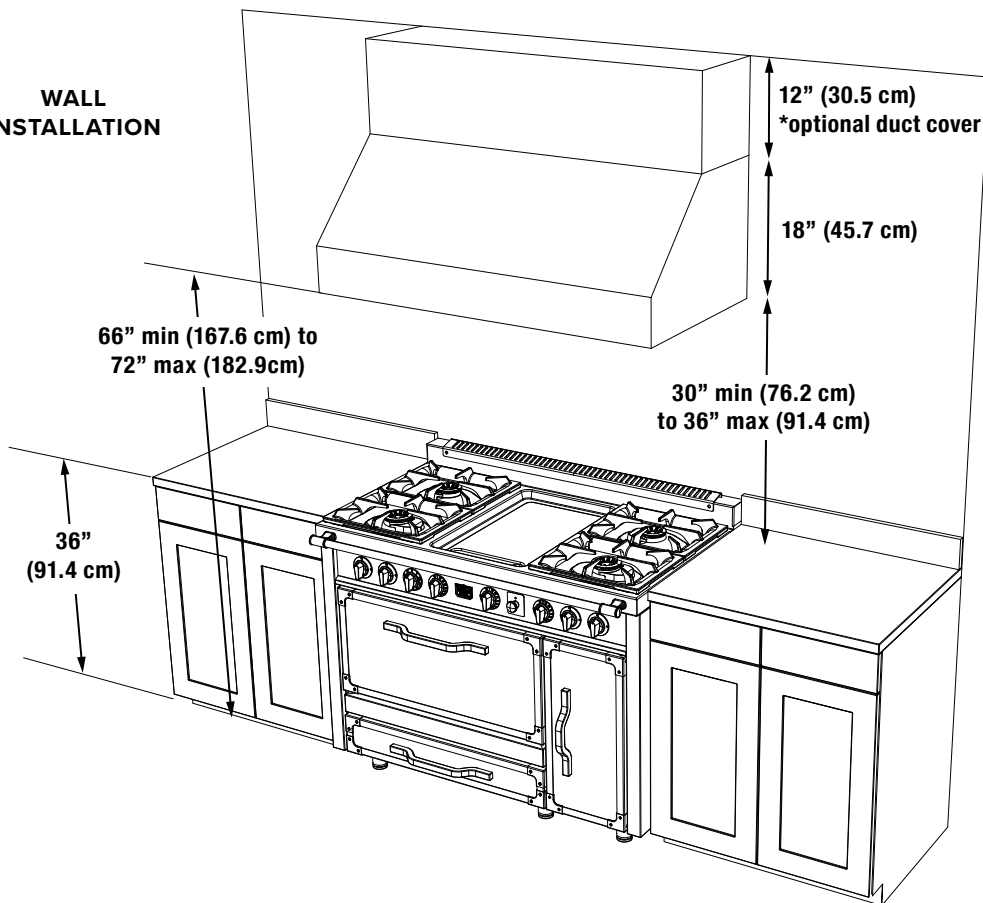
TVDR/TVHW/TVDDP

## CLEARANCE DIMENSIONS

RANGE WIDTH	CUTOUT WIDTH
35-7/8" (91.1 cm)	36"W. (92 cm)
47-7/8" (121.6 cm)	48"W. (122 cm)
66" (167.6 cm)	66-1/8"W. (168 cm)



## WALL INSTALLATION

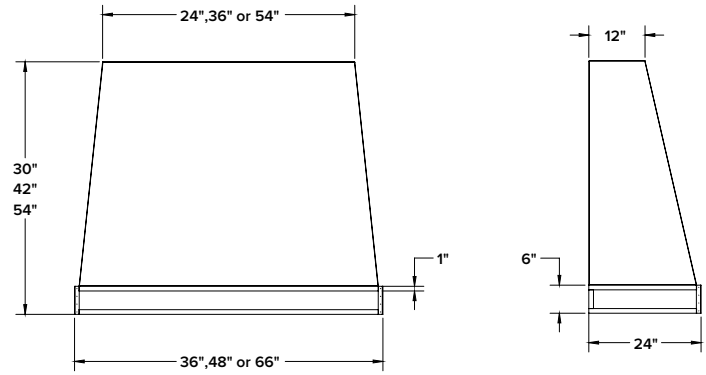




# TUSCANY PRODUCT SPECIFICATIONS

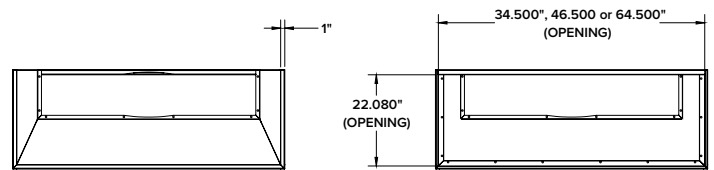
TVDR/TVHW/TVDDP

TUSCANY WALL HOODS			
DESCRIPTION	36" W.	48" W.	66"W.
Width	36"	48"	66"
Height	30", 42", or 54"		
Depth	24"		
Blower	600 CFM 8" collar	1200 CFM 10" collar	1200 CFM 10" collar
Electrical Requirements	2.7 amps	5.4 amps	5.4 amps
Approximate Shipping Weight	149 lb. (67.6 kg)	183 lb. (83.0 kg)	240 lb. (108.9 kg)

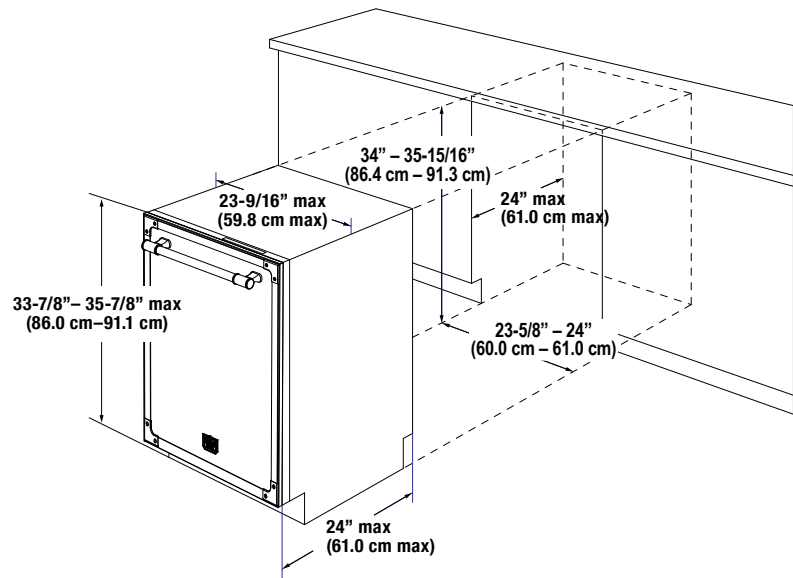


FRONT VIEW

SIDE VIEW



DISHWASHER	
DESCRIPTION	FDWU DISHWASHERS
Overall Width	23-9/16" (59.8 cm)
Overall Height from Floor	33-7/8" (86.0 cm) minimum to 35-7/8" (91.1 cm) maximum
Overall Depth	To front of door panel: 22 3/16" (56.4 cm)
Cutout Width	24" (61.0 cm)
Cutout Height	34" (86.4 cm) minimum to 36" (91.4 cm) maximum
Cutout Depth	24" (61.0 cm)
Electrical Requirements	12.0 amps, 115V/60Hz; 4" (120cm) electrical cord with 3-prong plug supplied with unit
Water-Heating Element Rating	1,100 watts
Inlet Water Temperature	120°F (49°C) required
Drain Hose	6.4' (1.9 m) drain hose provided
Drain Hose High Loop Required	Height from floor – 28" (71.0 cm)
Approximate Shipping Weight	97 lb. (44 kg)



VIKING RANGE, LLC 111 FRONT STREET GREENWOOD, MISSISSIPPI 38930 USA

For detailed product information, model numbers, or to request a quote call 1-888-845-4641 or visit [vikingrange.com](http://vikingrange.com)  
 © 2025 Viking Range, LLC All rights reserved. Specifications subject to change without notice.