



TUSCANY PRODUCT SPECIFICATIONS

COOKING FEATURES

- High performance burners provide fast boil times and a gentle simmer
 - 20,000 BTU – 8,500 BTU high burner ratings
- Stainless steel burner pan
- Electronic single point, spark ignition/re-ignition on all burners
- Porcelain coated cast iron burner grates
- Optional surface configurations (66" and 48" models)
 - Machined steel griddle/simmer plate (with grease collection drawer)
 - Induction elements
- 3.8 cu ft. electric oven (66"W.– both ovens / 48"– left oven / 36")
 - 25 3/4"W. x 13"H. x 19 5/8" D.
 - Stainless steel oven cavity
 - Five rack positions with two oven racks including one TruGlide™ Rack
 - Eight cooking functions – Bake, Convection Bake, Tru Convection, Low Broil, High Broil, Convection Broil, Defrost, Proof
 - Two oven lights
- 2.4 cu ft. oven (48"– right oven)
 - 11 5/8"W. x 18 1/4"H. x 19 5/8"D.
 - Side swing oven door
 - One oven rack
- Storage drawer for baking pans with soft-close glides
- Polished chrome die cast knobs

MODEL NUMBERS

- TVDR6618B – 8 gas burners
- TVDR6616G – 6 gas burners; electric griddle
- TVDR6616I – 6 gas burners; 2 induction elements
- TVDR4816B – 6 gas burners
- TVDR4814G – 4 gas burners; electric griddle
- TVDR4814I – 4 gas burners; 2 induction elements
- TVDR3614B – 4 gas burners

COLOR FINISHES

- Black (BK), and White (WH)
- Available in 14 exclusive color finishes Alluvial Blue (AB), Arctic Gray (AG), Black Forest Green (BF), Bywater Blue (BW), Cast Black (CS), Cypress Green (CY), Damascus Gray (DG), Frost White, (FW) Kalamata Red (KA), Pacific Gray (PG), Reduction Red (RE), Slate Blue (SB), San Marzano Red (SM), Vanilla Cream (VC)
- Polished chrome trim finish



TVDR6616I



TVDR4814I



TVDR3614B

WARRANTY

- 2-year full – complete product
- 90-day full – cosmetic parts such as glass, painted items and decorative items
- 5-year limited – gas burners, electric elements



TUSCANY PRODUCT SPECIFICATIONS

TUSCANY WALL HOODS - 18"H. / 24"D.

- TVWH360 - 36"W.
- TVWH480 - 48"W.
- TVWH660 - 66"W.
- Canopy only; must also purchase interior or exterior ventilator kit, sold separately
- Backlit LED knobs extend and illuminate to control lighting level and ventilation speed
- Dimmable LED lighting is energy efficient and easily replaceable
- Heat lamps standard (250 watt heat lamp bulb not included)
- Dishwasher-safe commercial-type SS baffle filters with handles
- Separate removable grease trough for easy cleaning
- Heat sensor automatically turns ventilator on full power when temperatures reach uncomfortable levels
- Virtually seamless stainless steel canopy interior for easy cleaning



TVWH660



TVWH480



TVWH360

TUSCANY DUCT COVERS FOR WALL HOODS

- TDCW36 - 36"W.
- TDCW48 - 48"W.
- TDCW66 - 66"W.
- For use with all TVWH models
- Extends height of hood 12"H. to conceal duct; 12"D.

TUSCANY DISHWASHER DOOR PANEL KIT

- TVDDP524 - 24"W.
- For use with all FDWU model dishwashers (sold separately)



TVDDP524

COLOR FINISHES

- Black (BK), and White (WH)
- Available in 14 exclusive color finishes Alluvial Blue (AB), Arctic Gray (AG), Black Forest Green (BF), Bywater Blue (BW), Cast Black (CS), Cypress Green (CY), Damascus Gray (DG), Frost White, (FW) Kalamata Red (KA), Pacific Gray (PG), Reduction Red (RE), Slate Blue (SB), San Marzano Red (SM), Vanilla Cream (VC)
- Polished chrome trim finish



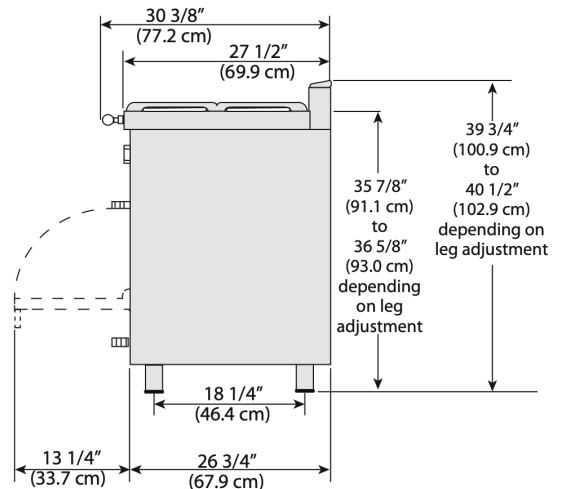
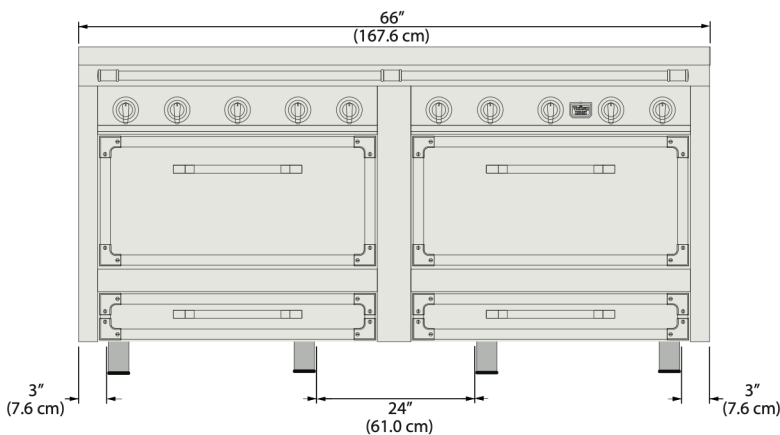
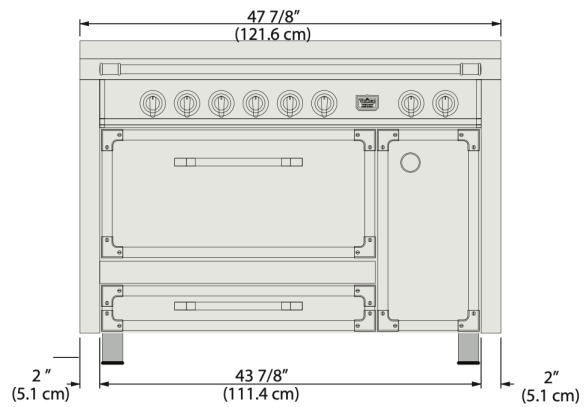
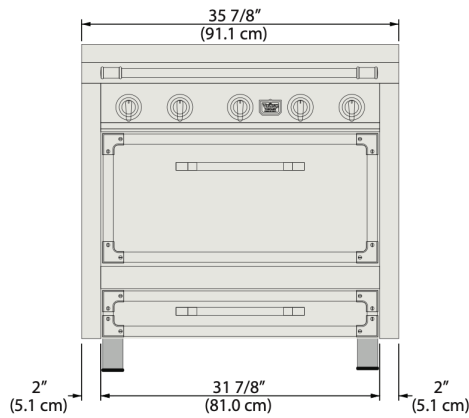
WARRANTY

- 2-year full – complete product
- 90-day full – cosmetic parts such as glass, painted items and decorative items



TUSCANY PRODUCT SPECIFICATIONS

TUSCANY DUAL FUEL RANGES			
Description	36" W.	48" W.	66" W.
Cutout width	36" (91.4 cm)	48" (121.9 cm)	66-1/8" (168.0 cm)
Overall width	35-7/8" (91.1 cm)	47-7/8" (121.6 cm)	66" (167.60 cm)
Overall height from bottom To top of side trim Leg adjustment	35-7/8" (91.1 cm) min to 36-5/8" (93.0 cm) max 3/4" (1.9 cm)		
Overall depth from rear To end of side panel To front of door To end of towel bar To end of door handle	26-3/4" (67.9 cm) 26-3/4" (67.9 cm) 30-3/8" (77.2 cm) 28-7/8" (35.2 cm)		
Additions to Base Height To top of island trim	add 4" (10.2 cm)		
Gas requirements	Shipped Natural Gas, accepts standard residential 1/2" (1.3 cm) ID gas service line. Natural 5.0" W.C.P./ Liquid Propane L/P 10.0" W.C.P. Unit is field convertible with conversion kit.		
Electrical requirements	See installation guide for more information		
Maximum amp usage	240V - 18.5 amps / 208V - 15.8 amps	240V - 28.5 amps / 208V - 24.4 amps	240V - 31.1 amps / 208V - 26.6 amps
Surface ratings	See installation guide for more information		
Oven interior width	25-3/4" (65.4 cm)	LH 25-3/4" (65.4 cm) RH 11-5/8" (29.5 cm)	Both ovens: 25-3/4" (65.4 cm)
Oven interior height	13" (33.0 cm)	LH 13" (33.0 cm) RH 18-1/4" (46.4 cm)	Both ovens: 13" (33.0 cm)
Oven interior depth	19-5/8" (49.8 cm)	LH 19-5/8" (49.8 cm) RH 19-5/8" (49.8 cm)	Both ovens: 19-5/8" (49.8 cm)
Oven volume Overall AHAM	3.8 cu. ft.	LH 3.8 cu. ft. RH 2.4 cu. ft.	Both ovens: 3.8 cu. ft.
Approximate shipping weight	300 - 340 lbs (135 - 153 kg)	470 - 510 lbs (212 - 230 kg)	640 - 695 lbs (289 - 314 kg)

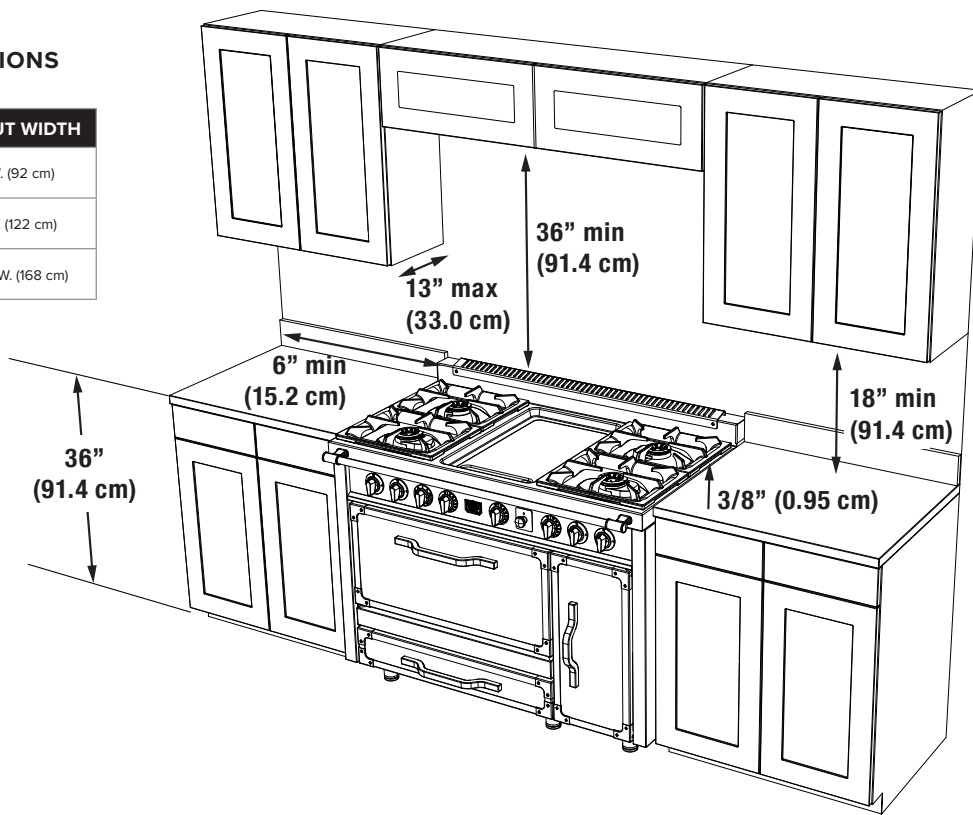




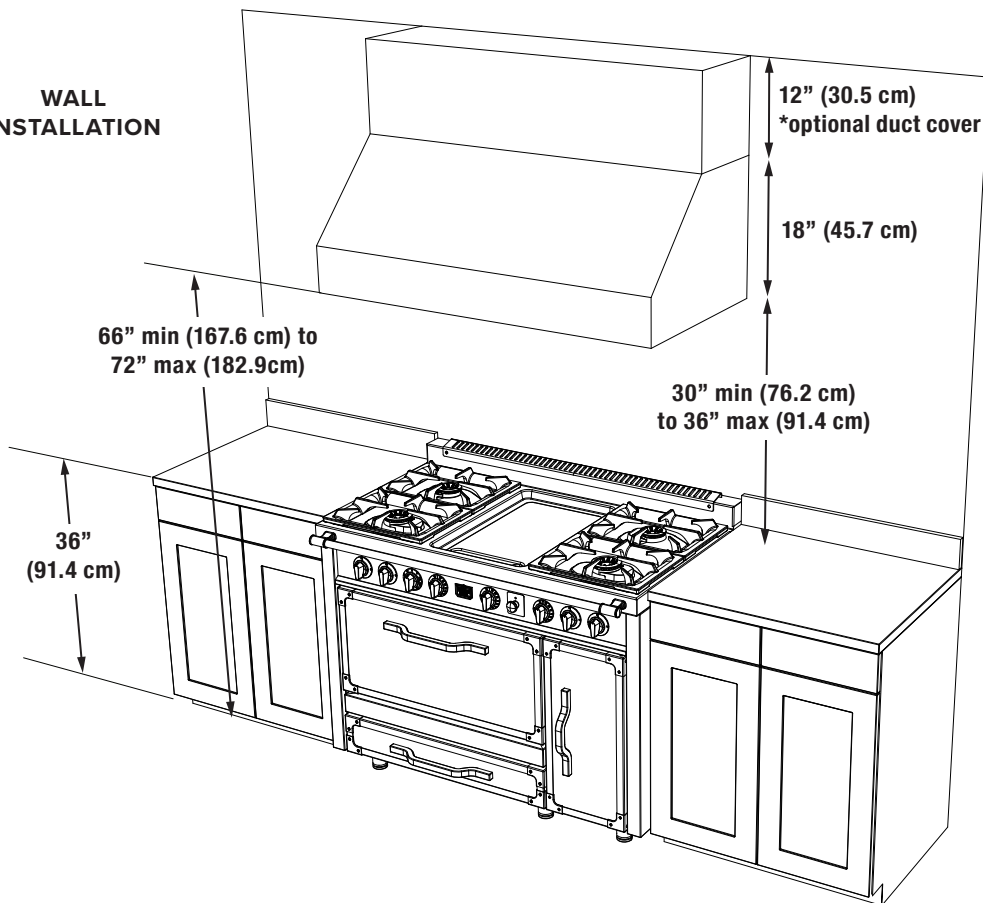
TUSCANY PRODUCT SPECIFICATIONS

CLEARANCE DIMENSIONS

RANGE WIDTH	CUTOUT WIDTH
35-7/8" (91.1 cm)	36"W. (92 cm)
47-7/8" (121.6 cm)	48"W. (122 cm)
66" (167.6 cm)	66-1/8"W. (168 cm)



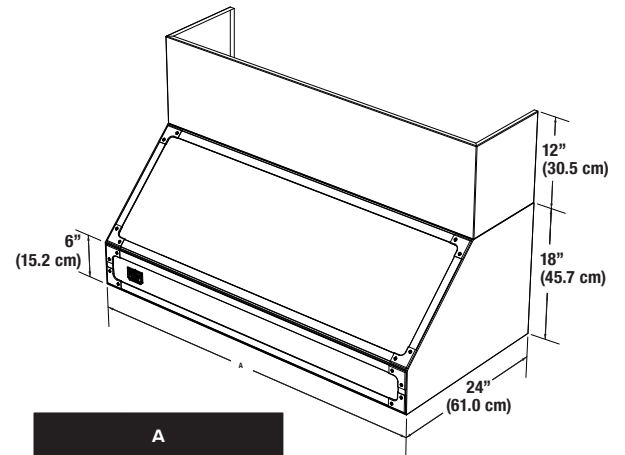
WALL INSTALLATION





TUSCANY PRODUCT SPECIFICATIONS

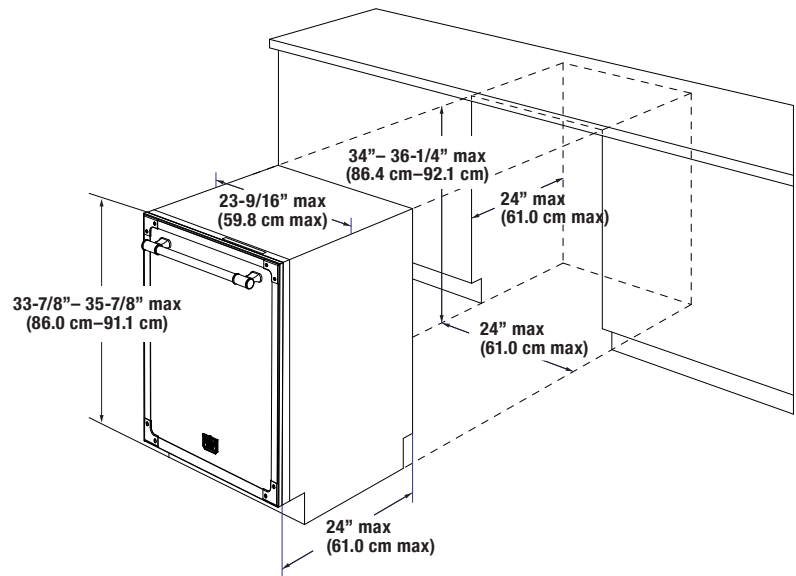
TUSCANY 18"H. HOODS			
Description	36" W.	48" W.	66" W.
Duct cover width	35-7/8" (91.1cm)	47-7/8" (121.6 cm)	65-7/8" (167.3 cm)
Duct cover depth	12" (30.5 cm)		
Duct cover height	12" (30.5 cm)		
Number of lights	2	3	
Number of filters	2	3	
Heat lamps	1	2	
Interior ventilator kits	VINV300/600/1200	VINV1200	
Exterior ventilator kits	DEV900/1200*	DEV1200*/1500**	
In-line ventilator kits	DIL1200		
Interior duct size	7"/10" (17.8/25.4 cm)	10" (25.4 cm)	
Exterior duct size	10" (24.5 cm)		
Interior—Max amps	4.2/5.2/8.2	10.8	
Exterior—Max amps	8.0/5.3	7.8/8.5	
In-Line—Max amps	5.3/7.2	9.6	



A	
36"W.	35 7/8" (91.1 cm)
48"W.	47 7/8" (121.6 cm)
66"W.	65 7/8" (167.3 cm)

- It is recommended that the 1,500 CFM ventilator be used with longer duct runs. Max duct run is 75 ft.
- NOTE: Maximum amp rating for hoods includes recommended ventilator kit rating; All products must be hard wired with 2-wire with ground. An interior- or exterior-power ventilator kit must be purchased for installation with all 18"H. hoods.

DISHWASHER	
Description	FDWU Dishwashers
Overall Width	23-9/16" (59.8 cm)
Overall Height from Floor	33-7/8" (86.0 cm) minimum to 35 7/8" (91.1 cm) maximum
Overall Depth	To front of door panel: 22 3/16" (56.4 cm)
Cutout Width	24" (61.0 cm)
Cutout Height	34" (86.4 cm) minimum to 36" (91.4 cm) maximum
Cutout Depth	24" (61.0 cm)
Electrical Requirements	12.0 amps, 115V/60Hz; 4" (120cm) electrical cord with 3-prong plug supplied with unit
Water-Heating Element Rating	1240 watts
Inlet Water Temperature	120°F (49°C) required
Drain Hose	6.4' (1.9m) drain hose provided
Drain Hose High Loop Required	Height from floor – 28" (71.0 cm)
Approximate Shipping Weight	97 lb. (44 kg)



VIKING RANGE, LLC 111 FRONT STREET GREENWOOD, MISSISSIPPI 38930 USA

For detailed product information, model numbers, or to request a quote call 1-888-845-4641 or visit vikingrange.com
 © 2021 Viking Range, LLC All rights reserved. Specifications subject to change without notice.