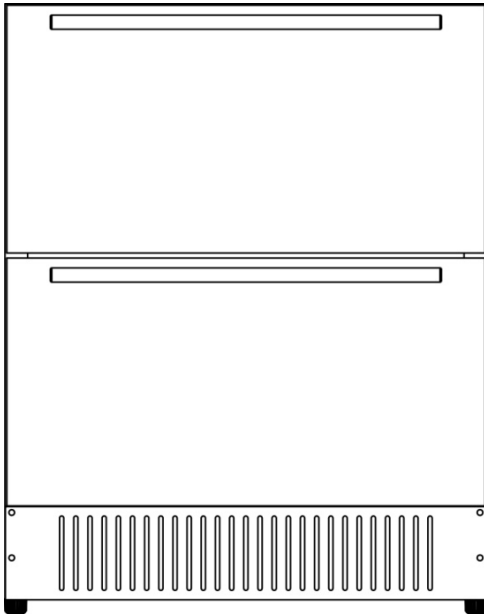
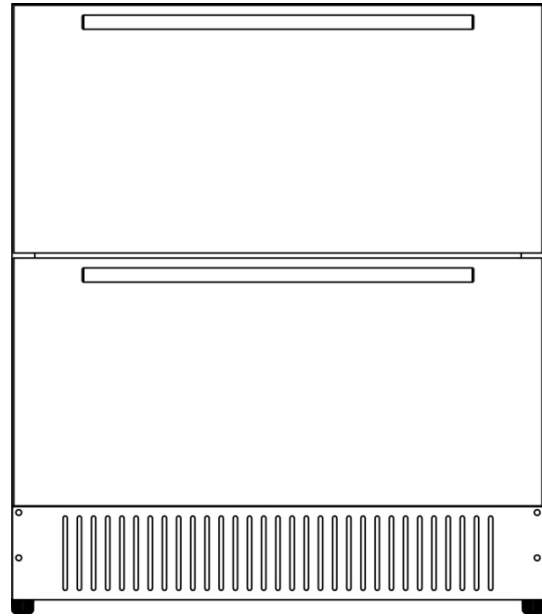




FROST-FREE DRAWER REFRIGERATOR



**SPR275OS2D
ADRD27
LD272D**



**SPR3032D
ADRD30
ADRD30SS
LD302D**

User Manual

BEFORE USE, PLEASE READ AND FOLLOW ALL SAFETY RULES AND OPERATING INSTRUCTIONS.

Write Model and Serial Numbers here:

Model No.: _____

Serial No.: _____

Felix Storch, Inc.
An ISO 9001:2015 registered company
770 Garrison Ave
Bronx, New York 10474
www.summitappliance.com

TABLE OF CONTENTS

Appliance Safety	3
Important Safeguards	3-4
Location of Parts	5
Installation Instructions	6-8
<i>Before Using the Appliance</i>	6
<i>Installation of your Appliance</i>	6
<i>Electrical Connection</i>	6-7
<i>Anti-tip Bracket Installation</i>	6
<i>Installation of the Handle</i>	8
<i>Panel Ready Installation</i>	8-9
Operating your Appliance	10-12
<i>Control Panel</i>	10
<i>ON/OFF Power / Mute</i>	10
<i>Setting the Temperature</i>	10
<i>Smart Control Mode</i>	11
<i>ECO Mode</i>	11
<i>Demo Mode</i>	11
<i>Lock</i>	11
<i>Sabbath Mode</i>	11
<i>Defrosting</i>	12
Care and Maintenance	13
<i>Cleaning your Appliance</i>	13
<i>Power Failure</i>	13
<i>Transporting your Appliance</i>	13
<i>Energy-saving Tip</i>	13
Troubleshooting	14-15
Limited Warranty	16

APPLIANCE SAFETY

Your safety and the safety of others are very important.

We have provided many important safety messages in this manual and on your appliance. Always read and obey all safety messages.



This is the Safety Alert Symbol. The symbol alerts you to potential hazards that can kill or injure you and others. All safety messages will follow the Safety Alert Symbol and either the word **DANGER** or **WARNING**.



DANGER means that failure to heed this safety statement may result in severe personal injury or death.



WARNING means that failure to heed this safety statement may result in extensive product damage, serious personal injury, or death.

All safety messages will alert you about the potential hazard, tell you how to reduce the chance of injury, and let you know what can happen if the instructions are not followed.

IMPORTANT SAFEGUARDS



Before the appliance is used, it must be properly positioned and installed as described in this manual, so read the manual carefully. To reduce the risk of fire, electrical shock or injury when using the appliance, follow basic precautions, including the following:



- Plug into a grounded 3-prong outlet, do not remove grounding prong, do not use an adapter, and do not use an extension cord.
- Replace all panels before operating.
- It is recommended that a separate circuit serving only your appliance be provided. Use receptacles that cannot be turned off by a switch or pull chain.
- Never clean appliance parts with flammable fluids. These fumes can create a fire hazard or explosion. And do not store or use gasoline or other flammable vapors and liquids in the vicinity of this or any other appliance. The fumes can create a fire hazard or explosion.
- Do not connect or disconnect the electric plug when your hands are wet.
- Unplug the appliance or disconnect power before cleaning or servicing. Failure to do so can result in electrical shock or death.
- Do not attempt to repair or replace any part of your appliance unless it is specifically recommended in this manual. All other servicing should be referred to a qualified technician.
- These appliances are CFC- and HFC-free and contain small quantities of Isobutane (R600a) which is environmentally friendly, but flammable. It does not damage the ozone layer, nor does it increase the greenhouse effect. Care must be taken during transportation and setting up of the appliance that no parts of the cooling system are damaged. Leaking coolant can ignite and may damage the eyes.
- In the event of any damage:
 - Avoid open flames and anything that creates a spark,
 - Disconnect from the power source,

- Air the room in which the appliance is located for several minutes, and
- Contact the Service Department for advice.
- The more coolant there is in an appliance, the larger the room in which it should be installed. In the event of a leakage, if the appliance is in a small room, there is the danger of combustible gases building up. For every ounce of coolant, at least 325 cubic feet of room space is required. The amount of coolant in the appliance is stated on the data plate inside the appliance. It is hazardous for anyone other than an Authorized Service Person to carry out servicing or repairs to this appliance.
- Take serious care when handling, moving, and using the appliance to avoid either damaging the refrigerant tubing or increasing the risk of a leak.
- Replacing component parts and servicing shall be done by factory-authorized service personnel to minimize the risk of possible ignition due to incorrect parts or improper service.

 **WARNING**

FOLLOW THE WARNING CALLOUTS BELOW ONLY IF APPLICABLE TO YOUR MODEL

- Use two or more people to move and install the appliance. Failure to do so can result in back or other injuries.
- To ensure proper ventilation for your appliance, the front of the appliance must be completely unobstructed. Choose a well-ventilated area with temperatures above 50°F (10°C) and below 100°F (38°C).
- The appliance should not be located next to ovens, grills, or other sources of high heat.
- The appliance must be installed with all electrical, water, and drain connections in accordance with state and local codes. A standard electrical supply (115 V AC only, 60 Hz), properly grounded in accordance with the National Electrical Code and local codes and ordinances, is required.
- Do not kink or pinch the power supply cord of the appliance.
- The size of the fuse (or circuit breaker) should be 15 amperes.
- It is important that the appliance be leveled in order to work properly. You may need to make several adjustments to level it.
- All installations must be in accordance with local plumbing code requirements.
- Make certain that the pipes are not pinched, kinked, or damaged during installation.
- Check for leaks after connection.
- Never allow children to operate, play with or crawl inside the appliance.
- Do not use solvent-based cleaning agents or abrasives on the interior. These cleaners may damage or discolor the interior.
- Use this appliance only for its intended purpose as described in this User Manual.
- Keep fingers out of the “pinch point” areas. Clearances between the drawers and cabinet are necessarily small. Be careful closing drawers when children are in the area.

 **DANGER** 

Risk of child entrapment!

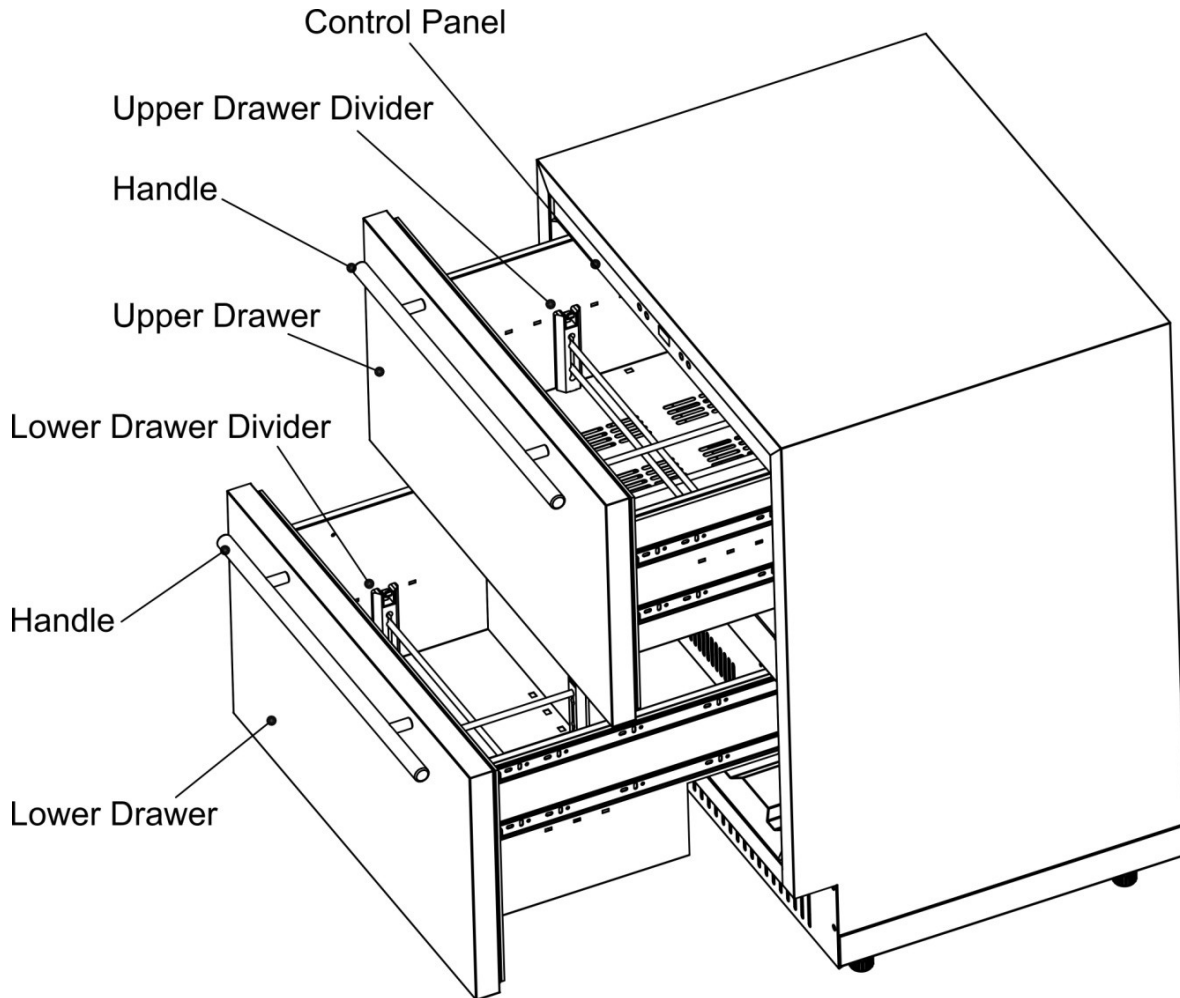
Child entrapment and suffocation are not problems of the past. Junked or abandoned appliances are still dangerous, even if they will “just sit for a few days.”

Before discarding your old appliance:

- Take off the doors
- Leave the shelves in place so that children may not easily climb inside.

- SAVE THESE INSTRUCTIONS -

LOCATION OF PARTS



CALIFORNIA CARB/SNAP DISCLOSURE

This product uses eco-friendly hydrocarbon refrigerant and fully complies with California CARB regulations.

However, we are required by California law to provide the following disclosure statement in every product sold in California:

"This equipment is prohibited from use in California with any refrigerants on the 'List of Prohibited Substances' for that specific end-use, in accordance with California Code of Regulations, title 17, section 95374. This disclosure statement has been reviewed and approved by Felix Storch, Inc. and Felix Storch, Inc. attests, under penalty of perjury, that these statements are true and accurate."

This product does **not** use any refrigerants on the 'List of Prohibited Substances'"

INSTALLATION INSTRUCTIONS

Before Using Your Appliance

- Remove the exterior and interior packing.
- Before connecting the appliance to the power source, let it stand upright for approximately 2 hours. This will reduce the possibility of a malfunction in the cooling system from handling during transportation.
- Clean the interior surface with lukewarm water, using a soft cloth. Then, dry thoroughly.
- Install the handles on the drawers if they are not already attached.

Installation of Your Appliance

- This appliance is designed for free standing or built-in (fully recessed) installation. This unit can be installed indoors or outdoors.
- Place your appliance where the floor is strong enough to support it when it is fully loaded. To level the appliance, adjust the front leveling legs.
- For free-standing installation, 5" (127mm) of space between the back and sides of the appliance, and 4" (102mm) at the top, are suggested. This allows the proper air circulation to cool the compressor and condenser. For built-in installation, keep ¼" (6.35mm) of space between the top and sides of the appliance, and 2" (51mm) at the rear. Make sure the air vent at the front of the appliance is never covered or blocked in any way.
- Avoid locating the appliance in moist areas.
- Plug the appliance into an exclusive, properly grounded wall outlet.

NOTE: When the product is installed, there should be a small ventilation gap between the top of the appliance and the underside of any fitting above (6mm or 1/4").

Electrical Connection



WARNING

Improper use of the grounded plug can result in the risk of electrical shock. If the power cord is damaged, have it replaced by a qualified electrician or an authorized service center.

This appliance should be properly grounded for your safety. The power cord of this appliance is equipped with a three-prong plug, which mates with standard three-prong wall outlets to minimize the possibility of electrical shock.

Do not, under any circumstances, cut or remove the third (ground) prong from the power cord supplied. For personal safety, this appliance must be properly grounded. Any questions concerning power and/or grounding should be directed toward a certified electrician or an authorized service center.

This appliance requires a standard 115/120 Volt AC ~60Hz three-prong grounded electrical outlet. Have the wall outlet and circuit checked by a qualified electrician to make sure the outlet is properly grounded. When a standard 2-prong wall outlet is encountered, it is your responsibility and obligation to have it replaced with a properly grounded 3-prong wall outlet.

To prevent accidental injury, the cord should be secured behind the appliance and not left exposed or dangling.

The appliance should always be plugged into its own individual electrical outlet, which has a voltage rating that matches the rating label on the appliance. This provides the best performance and prevents overloading house wiring circuits, which could cause a fire hazard from overheating. Never unplug the appliance by pulling on the power cord. Always grip the plug firmly and pull straight out from the receptacle. Immediately repair or replace all power cords that have become frayed or otherwise damaged. Do not use a cord that shows cracks or abrasion damage along its length or at either end. When moving the appliance, be careful not to damage the power cord.

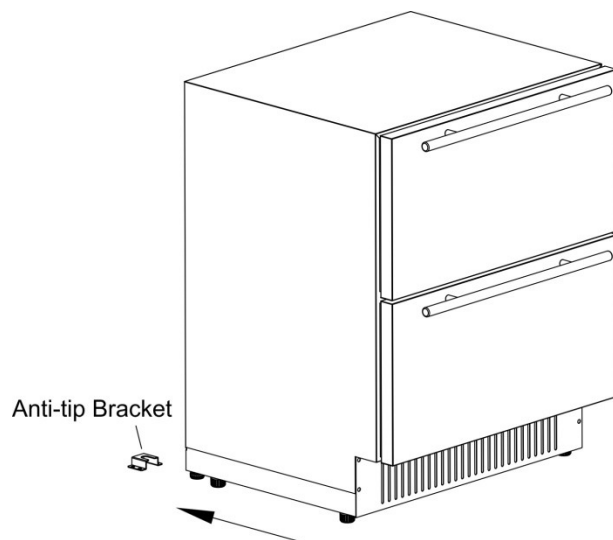
Extension Cord

Due to potential safety concerns under certain conditions, it is strongly recommended that you do not use an extension cord with this appliance. However, if you must use an extension cord, it is absolutely necessary that it be a UL/CUL-Listed, 3-wire grounding type appliance extension cord having a grounding type plug and outlet and that the electrical rating of the cord be 115 volts and at least 10 amperes.

Anti-Tip Bracket Installation

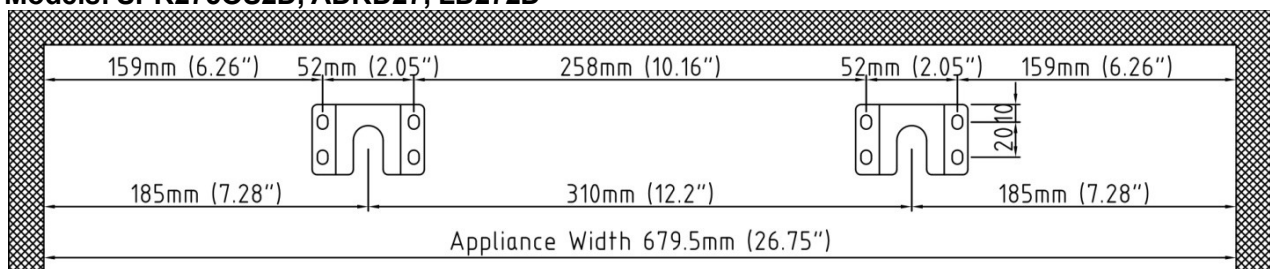
To reduce the risk of tipping the appliance by abnormal usage or improper loading, the appliance must be secured by properly installing the anti-tip bracket packed with the appliance.

1. Place the anti-tip bracket on the floor as shown in the figure to the right.
2. Mark the locations of the 8 holes of the anti-tip bracket on the floor.
3. Use an 11/50" masonry drill bit and insert plastic anchors.
4. Secure the anti-tip bracket to the floor, using screws.
5. Slide the appliance into position, and make sure the leg engages the anti-tip bracket.

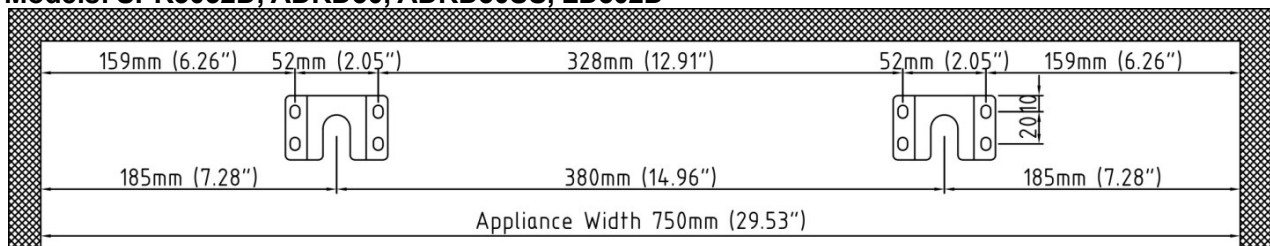


The measurements for the anti-tip bracket installation are illustrated below:

Models: SPR275OS2D, ADRD27, LD272D



Models: SPR3032D, ADRD30, ADRD30SS, LD302D



NOTE: If the appliance is relocated, the bracket must be removed and installed in the new location.

Installation of the Handle

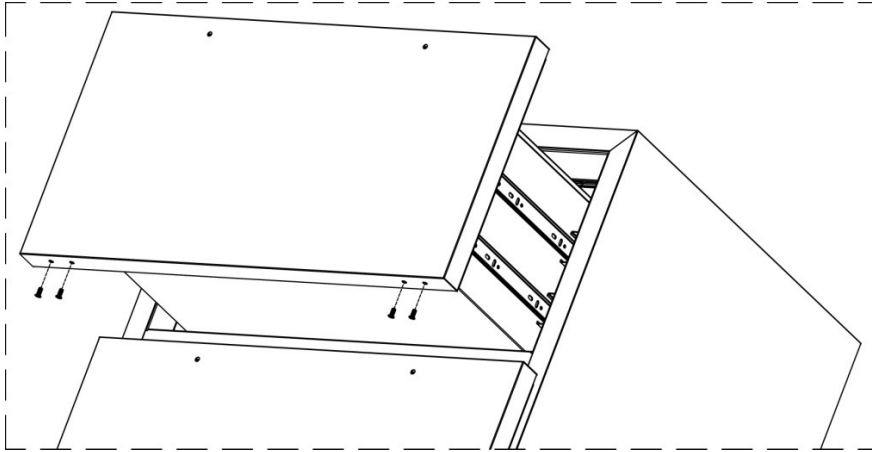
To install the handle, please follow these instructions:

1. Carefully pull the door gasket (seal) away from the door in the area where the handle will be attached.
2. Place the handle over the screw holes on the outside of the door. The screws will attach through the back of the drawer front.
3. Secure the handle with the screws that have been provided.
4. Press the door gasket back into its groove.

Panel Ready Installation

The appliance is designed to be panel ready. To install a custom panel on the front of the drawers of your appliance, follow the steps below:

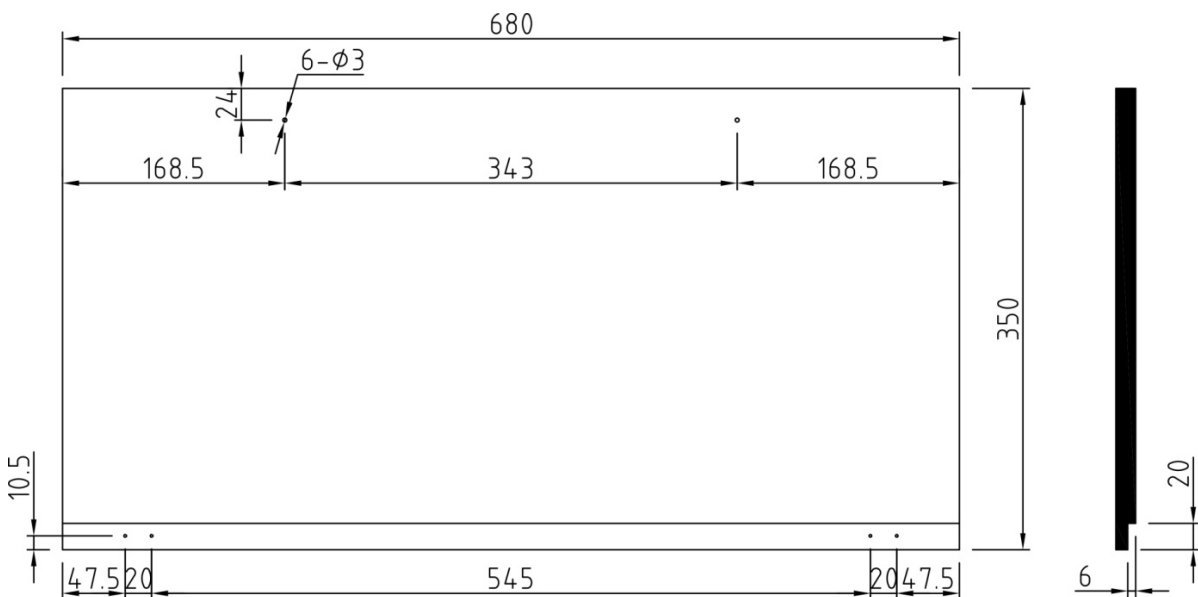
1. Open the drawer and remove the screws from the back of the drawer, holding the handle in place.
2. Remove the four screws from the bottom of the drawer.



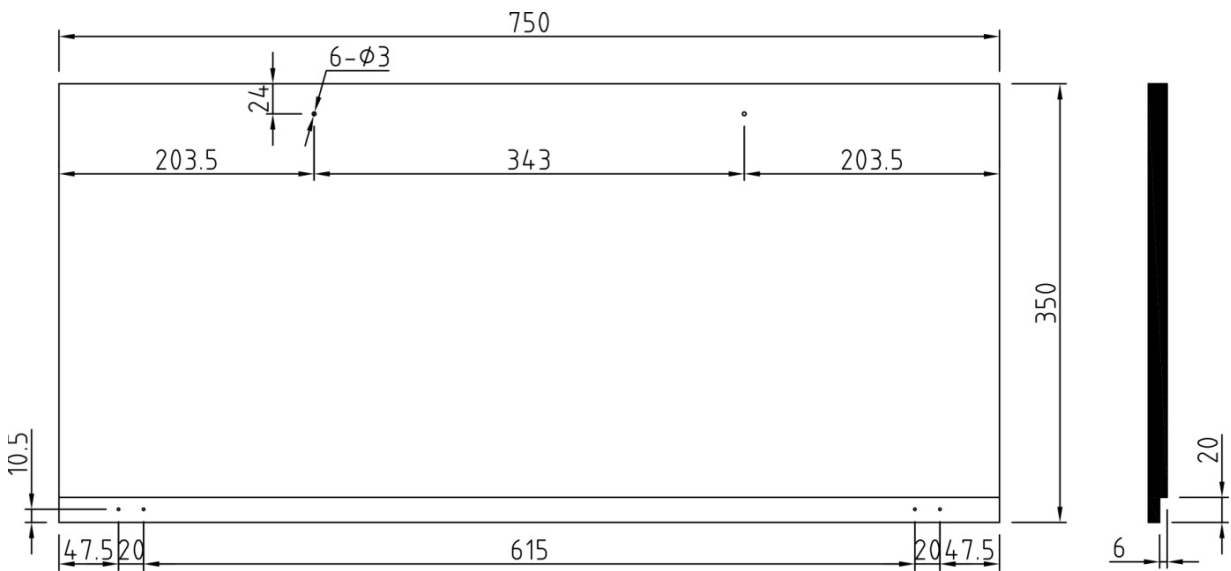
3. Prepare your panel with installation holes and holes for the bottom mounting brackets (20 x 6mm), then secure the mounting brackets to the panel with screws. Be sure to add handle holes to the panel.

NOTE: The measurements listed in the graphic below are in millimeters.

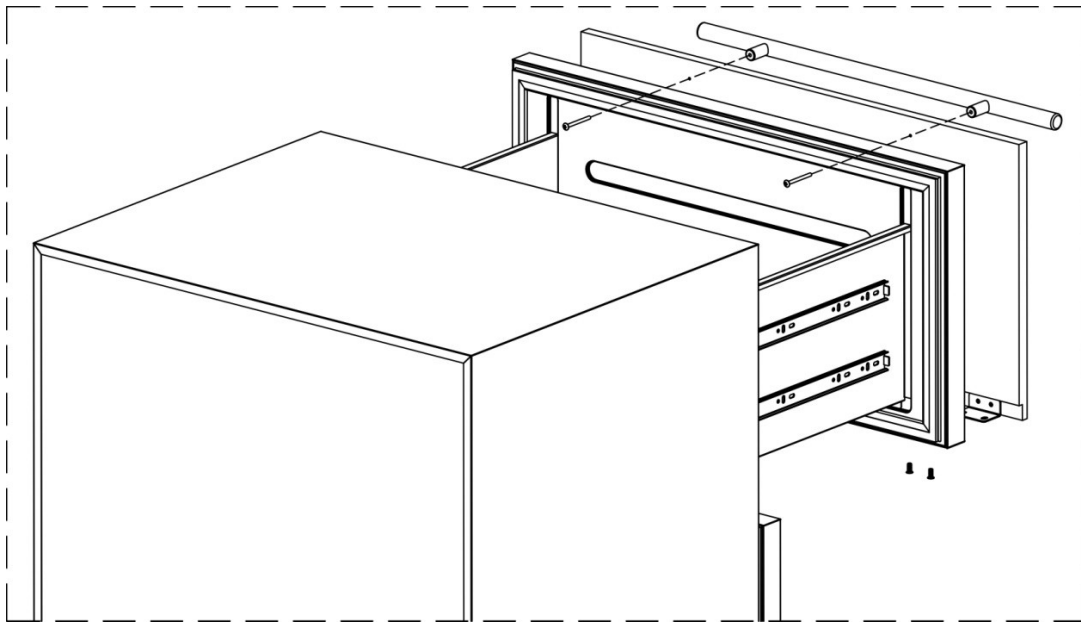
Models: SPR275OS2D, ADRD27, LD272D



Models: SPR3032D, ADRD30, ADRD30SS, LD302D



4. Set the panel against the drawer front, and secure it to the bottom of the drawer, with screws. Then, install the handle onto the drawer, through the panel.

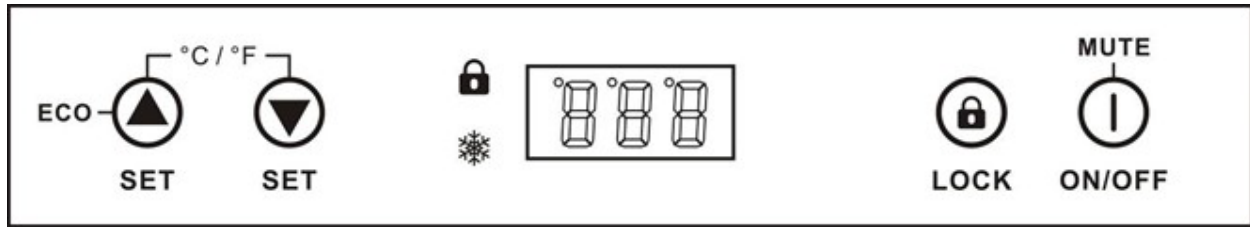


OPERATING YOUR APPLIANCE

The appliance should be placed where the ambient temperature is between 10~38°C (50~100°F). If the ambient temperature is above or below this range, the performance of the appliance may be affected. Placing your appliance in extreme cold or hot conditions may cause interior temperatures to fluctuate. Connect power cord to a properly grounded outlet.

This appliance is equipped with Memory IC – should there be a power interruption, the appliance will auto recover at last setting.

Control Panel



ON/OFF Power / Mute

- To turn the appliance on or off, press and hold the ON/OFF button for 3 seconds. When the appliance is running, the ❄️ symbol will be illuminated.
- When the door is open more than 5 minutes, an alarm will sound. The compressor and outer fan will stop working. Press ① one time to stop the alarm from sounding until the door closed.

Setting the Temperature



- Adjustable temperature: 34°F to 65°F (1°C to 18°C)
- Set the desired temperature by pressing the corresponding buttons, ▲ to increase or ▼ to decrease. Each press is a 1-degree increment. Once released, the set temperature will flash for approximately 5 seconds then revert to display the internal temperature.
- To view your set temperature, press either the ▲ or ▼ button once, and the LED display will flash the set temperature for 5 seconds.
- The appliance has the capability to display temperature in either Celsius or Fahrenheit. To change the temperature scale, press and hold both ▲ ▼ buttons simultaneously for approx. 3 seconds.

NOTE: The temperature inside may vary slightly depending on where the stored items are located (upper/middle or lower section).


Smart Control Mode

- When the door is opened, the inner light automatically turns on, and the inner fan stops.
- When the door is closed, the inner light automatically turns off.
- **Door Open Alarm:** When the door is opened for longer than 5 minutes, an alarm will sound, and the compressor and outer fan will stop working.

Force Quitting Smart Control Mode



Press and hold the buttons  and  simultaneously for 5 seconds, the small dot in the upper left corner of the LED will illuminate.

- After quitting the smart control mode, the alarm will not sound when the door is open for more than 5 minutes.




NOTE: The interior light can only be controlled by pressing the button .

- Press and hold the buttons  and  simultaneously for 5 seconds to re-enter the Smart control mode.



ECO Mode

- Press and hold the  button for 3 seconds, it can enter or exit ECO mode.
- In this mode, the interior LED light, the compressor indicator  and the temperature value on the display panel will be turned off and the ° will illuminate on the upper left corner of °C / °F.



Demo Mode

- Press and hold buttons ,  and  simultaneously for 10 seconds, it can enter or exit demo mode.
- In this mode, the display panel can operate settings, but the temperature is fixed display 54°F (12°C), and all fans and the compressor will not start.

LOCK

Press and hold  for 3 seconds to lock or unlock the control panel. The  indicator will illuminate when the control panel is locked.



Sabbath Mode

- Press and hold buttons  and  at the same time for at least 5 seconds to enter or exit Sabbath mode. In this mode, LED will display "Sb". This mode turns off the displays, and the interior light and prevents them from turning on again. Normal cooling operations will still take place. The compressor and the fan work normally.
- When the cabinet powers off, it will not automatically exit Sabbath mode, and it will keep Sabbath mode when it powers on again. The Sabbath Mode will automatically turn off after 96 hours.

Defrosting

- The appliance defrosts automatically in normal operating conditions.
- The evaporator behind the rear wall of the appliance defrosts automatically. The condensate collects in the drainage channel behind the rear wall of the appliance and flows through the drainage hole into the drip tray by the compressor where it evaporates.
- However, frost may accumulate on the evaporator if the appliance is repeatedly opened in a high heat or high humidity location. If this frost pattern does not clear within 24 hours, your appliance will require manual defrosting.

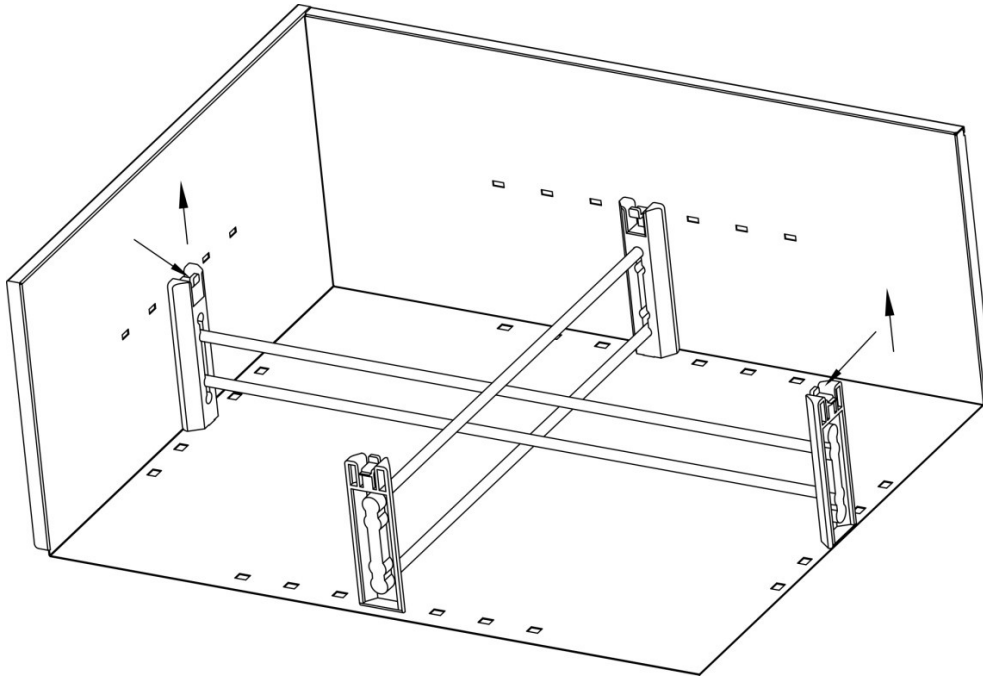
Manual Defrost Mode

Press the  and  at one time for 10 seconds enter the manual defrost mode.

Drawer Dividers

To make better use of the drawer to store different drinks or fruits, it is equipped with two sets of drawer dividers. To adjust these dividers:

1. Press and hold the latches at the same time, then lift them up.
2. Adjusting to the required position, reinsert the corresponding hole position.



CARE AND MAINTENANCE

Cleaning Your Appliance

- Turn off the power, unplug the appliance, and remove all items.
- Wash the inside surfaces with a warm water and baking soda solution. The solution should consist of about 2 tablespoons of baking soda to a quart of water.
- Wring excess water out of the sponge or cloth when cleaning the area of the controls or any electrical parts.
- Wash the exterior of the cooler with a warm solution of mild liquid detergent. Rinse well and wipe dry with a clean, soft cloth.

Power Failure

Most power failures are corrected within a few hours. If your power is going to be off for a longer period of time, you need to take the proper steps to protect the contents of your refrigerator.

Transporting Your Appliance

If you need to move your appliance once the box has been discarded:

1. Securely tape down all loose items inside your appliance.
2. Turn the adjustable legs up to the base to avoid damage.
3. Be sure the appliance stays secure in an upright position during transportation. Also, protect the outside of the appliance with a blanket or similar item.

Energy-Saving Tip

The appliance should be located in the coolest area of the room, away from heat-producing appliances and out of direct sunlight.

TROUBLESHOOTING

You can solve many common problems easily, saving you the cost of a service call. Try the suggestions below to see if you can solve the problem before calling the servicer.

PROBLEM	POSSIBLE CAUSE	REMEDY
Appliance does not operate.	<i>The appliance defrosts automatically in normal operating conditions. The appliance is turned off. Tripped circuit breaker or a blown fuse.</i>	<i>Connect the appliance. Switch on the appliance. Switch on the circuit breaker or replace the fuse.</i>
The appliance is not cold enough.	<i>The temperature is not set correctly. The ambient temperature could require a lower temperature setting. The condenser is too dirty. The ventilation opening is blocked or too dusty.</i>	<i>Check the set temperature. Set a lower temperature. Clean the condenser when necessary. Clear the obstructions and wipe off the dust.</i>
The appliance turns itself on and off frequently.	<i>The room temperature is higher than average. A large number of bottles have been added to the appliance.</i>	<i>Put the appliance in a cooler place. Leave the appliance to work for a while until the set temperature has been reached.</i>
The light does not work.	<i>The appliance is not connected to a power supply. A tripped circuit breaker or a blown fuse. The light was switched off on the control panel.</i>	<i>Connect the appliance. Switch on the circuit breaker or replace the fuse. Switch on the light.</i>
Vibrations	<i>The appliance is not properly leveled.</i>	<i>Level the appliance with adjustable feet.</i>
The appliance seems to make too much noise.	<i>The rattling noise may come from the flow of the refrigerant, which is normal. As each cycle ends, you may hear gurgling sounds caused by the flow of refrigerant in your appliance. If temperature fluctuations occur, the contraction and expansion of the inner walls may cause popping and crackling noises.</i>	
	<i>The appliance is not properly leveled.</i>	<i>Level the appliance with adjustable feet.</i>
Display "E1", "E2".	<i>"E1" or "E2" indicates that the air temperature sensor has failed.</i>	<i>Call for service.</i>
LED displays "HH", the alarm is ringing	<i>The unit's internal temperature is higher than 86°F (30°C).</i>	<i>Unplug the appliance and re-plug after 5 minutes. If the alarm and LED do not change back, contact customer service.</i>
LED displays "LL", the alarm is ringing	<i>The unit's internal temperature is lower than 32°F (0°C).</i>	<i>Unplug the appliance and re-plug after 5 minutes. If the alarm and LED do not change back, contact customer service.</i>

<p>There is a difference between the temperature inside the appliance and the temperature shown on display.</p>	<p><i>The appliance is being turned on for the first time, after a restart, or a long period out of operation.</i></p>	<p><i>This is normal, leave the appliance running for several hours and the temperature will stabilize, if this does not happen, contact customer support.</i></p>
---	--	--

If you have checked the table above and find that you still need help with your appliance, call our Customer Service facility at **800-932-4267** between 9:00 AM and 5:00 PM ET or visit **www.summitappliance.com/support**. We will do our best to answer your questions.

LIMITED WARRANTY

ONE-YEAR LIMITED WARRANTY

Within the 48 contiguous United States, for one year from the date of purchase, when this appliance is operated and maintained according to instructions attached to or furnished with the product, warrantor will pay for factory-specified parts and repair labor to correct defects in materials or workmanship. Service must be provided by a designated service company. Outside the 48 states, all parts are warranted for one year from manufacturing defects. Plastic parts, shelves, and cabinets are warranted to be manufactured to commercially acceptable standards and are not covered from damage during handling or breakage.

5-YEAR COMPRESSOR WARRANTY

1. The compressor is covered for 5 years.
2. Replacement does not include labor.

ITEMS WARRANTOR WILL NOT PAY FOR:

1. Service calls to correct the installation of your appliance, to instruct you how to use your appliance, to replace or repair fuses or to correct wiring or plumbing.
2. Service calls to repair or replace appliance light bulbs or broken shelves. Consumable parts (such as filters) are excluded from warranty coverage.
3. Damage resulting from accident, alteration, misuse, abuse, fire, flood, acts of God, improper installation, installation not in accordance with electrical or plumbing codes, or use of products not approved by warrantor.
4. Replacement parts or repair labor costs for appliances operated outside the United States.
5. Repairs to parts or systems resulting from unauthorized modifications made to the appliance.
6. The removal and reinstallation of your appliance if it is installed in an inaccessible location or is not installed in accordance with published installation instructions.

DISCLAIMER OF IMPLIED WARRANTIES – LIMITATION OF REMEDIES

CUSTOMER'S SOLE AND EXCLUSIVE REMEDY UNDER THIS LIMITED WARRANTY SHALL BE PRODUCT REPAIR AS PROVIDED HEREIN. IMPLIED WARRANTIES, INCLUDING WARRANTIES OF MERCHANTABILITY OR FITNESS FOR A PARTICULAR PURPOSE, ARE LIMITED TO ONE YEAR. WARRANTOR SHALL NOT BE LIABLE FOR INCIDENTAL OR CONSEQUENTIAL DAMAGES. SOME STATES DO NOT ALLOW THE EXCLUSION OR LIMITATION OF INCIDENTAL OR CONSEQUENTIAL DAMAGES, OR LIMITATIONS ON THE DURATION OF IMPLIED WARRANTIES OF MERCHANTABILITY OR FITNESS, SO THESE EXCLUSIONS OR LIMITATIONS MAY NOT APPLY TO YOU. THIS WARRANTY GIVES YOU SPECIFIC LEGAL RIGHTS AND YOU MAY ALSO HAVE OTHER RIGHTS, WHICH VARY FROM STATE TO STATE.



WARNING: This product can expose you to chemicals including Nickel (Metallic) which is known to the State of California to cause cancer.

For more information go to www.P65Warnings.ca.gov

Note: Nickel is a component in all stainless steel and some other metallic compositions.

Felix Storch, Inc.
An ISO 9001:2015 registered company
770 Garrison Ave
Bronx, New York 10474
www.summitappliance.com

SUMMIT®

For parts and accessory ordering,
troubleshooting, and helpful hints, visit:
www.summitappliance.com/support