



24" E Series Oven

Use and Care Guide

CLEANING, MAINTENANCE,
AND MORE



Contents

3	24" E Series Oven
4	Safety Precautions
6	24" E Series Oven Features
7	Oven Operation
15	Care Recommendations
17	Troubleshooting
19	Wolf Warranty

Customer Care

The model and serial number are printed on the enclosed product registration card. Both numbers are also listed on the product rating plate. Refer to page 6 for rating plate location. For warranty purposes, you will also need the date of installation and name of your authorized Wolf dealer. Record this information below for future reference.

SERVICE INFORMATION

Model Number

Serial Number

Date of Installation

Certified Service Name

Certified Service Number

Authorized Dealer

Dealer Number

If your product ever needs attention, be sure to use a Wolf Factory Certified Service provider recommended by our Customer Care Center, or select one from our list of providers available at wolfappliance.com/locator. All Factory Certified Service providers are carefully selected and thoroughly trained by us.

Important Note

To ensure this product is installed and operated as safely and efficiently as possible, take note of the following types of highlighted information throughout this guide:

IMPORTANT NOTE highlights information that is especially important.

CAUTION indicates a situation where minor injury or product damage may occur if instructions are not followed.

WARNING states a hazard that may cause serious injury or death if precautions are not followed.

IMPORTANT NOTE: Throughout this guide, dimensions in parentheses are millimeters unless otherwise specified.

IMPORTANT INSTRUCTIONS

GENERAL SAFETY PRECAUTIONS

- Read this guide carefully before using this appliance to reduce risk of fire, electric shock, or injury.
- This appliance must be properly installed and serviced by a qualified installer or service agency and grounded by a qualified technician.
- Clean only those parts listed in this guide.
- Do not use oven cleaners. No commercial oven cleaner or oven liner protective coating of any kind should be used in or around any part of the oven.
- Do not touch heating elements or interior surfaces of oven. Heating elements may be hot even though they are dark in color. Interior surfaces become hot enough to cause burns. During and after use, do not touch or let clothing or other flammable materials contact heating elements or interior surfaces of the oven until they have had sufficient time to cool.
- Exercise caution when opening the oven door. Let hot air or steam escape before looking or reaching into the oven.
- Be sure that the oven cool air intake (located below the door) and oven exhaust vent (located above the door) are unobstructed at all times.
- Always use dry pot holders when removing pans from this appliance. Wet or damp pot holders can cause steam burns. Do not use a towel or bulky cloth in place of pot holders.
- Position oven racks in the desired locations when the oven is cool. If a rack must be repositioned after the oven is already hot, be sure the pot holder does not contact a hot heating element in the oven.
- Do not repair or replace any part of this appliance unless specifically recommended in literature accompanying this appliance.
- Do not use aluminum foil to line any part of this appliance.
- Never use this appliance to warm or heat the room.
- Do not leave children alone or unattended in the area where this appliance is in use. Never allow children to sit or stand on the appliance.
- Do not store items of interest to children above or at the back of this appliance, as they could climb on the appliance to reach items and be injured.

⚠ CAUTION

Before using self-clean, remove broiler pan, oven racks, oven rack guides, and any other utensils.

IMPORTANT INSTRUCTIONS

GENERAL SAFETY PRECAUTIONS

- Do not use water on grease fires. Smother the flame or use a dry chemical or foam-type extinguisher.
- Do not heat unopened food containers, such as baby food jars and cans. Pressure build-up may cause the container to burst and cause injury.
- Do not store or use gasoline or other flammable vapors and liquids in the vicinity of this or any other appliance.
- Do not clean the oven gasket; rubbing or moving the gasket may compromise the door seal.
- Wear proper apparel. Loose-fitting or hanging garments should never be worn while using this appliance.
- During use the appliance becomes hot. Care should be taken to avoid touching heating elements inside the oven.
- Do not use harsh abrasive cleaners or sharp metal scrapers to clean the oven door glass since they can scratch the surface, which may result in shattering of the glass.
- Before starting the self-cleaning cycle, excess spillage must be removed from the oven cavity.
- Only use the temperature probe recommended for this oven.
- Do not use a steam cleaner to clean the appliance.

⚠ WARNING

Accessible parts may become hot during use. Young children should be kept away.

⚠ WARNING

Ensure that the appliance is switched off or unplugged before replacing the lamp to avoid the possibility of electric shock.

⚠ WARNING

PROPOSITION 65 FOR CALIFORNIA RESIDENTS

**Cancer and Reproductive Harm—
www.P65Warnings.ca.gov**

24" E Series Oven Features

24" E Series Oven Features

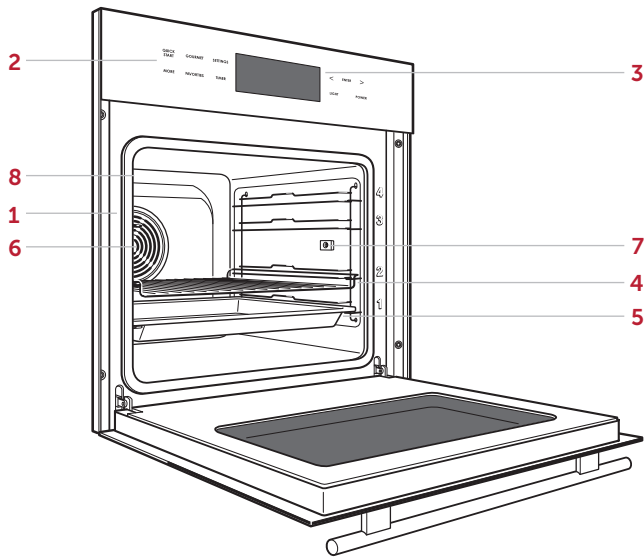
FEATURES

1	Product Rating Plate
2	Control Panel
3	Control Panel Display
4	Adjustable Oven Rack
5	Adjustable Oven Pan
6	Convection Fan
7	Temperature Probe Receptacle
8	Halogen Lighting

Getting Started

We know you are eager to start cooking, but before you do, please take some time to read this use and care guide. Whether you are an occasional cook or an expert chef, it will be to your benefit to familiarize yourself with the safety practices, features, operation, and care recommendations of your Wolf E Series Oven.

To ensure the best results, review the cooking modes and special features on page 12.



24" E Series Oven

Oven Operation

Control Panel

Use the control panel to set cooking modes and access all the features of the 24" E series oven for exceptional results. The control panel display will become inactive after 15 minutes of inactivity. Touch any control to activate the display.

User Settings

The User Settings allow the user to select preferences as listed in the chart below.

SETTING

Set Language

Adjust Display

Set Clock

Configure Notifications

Self-Clean

Set Loudness

Set Assistance Functions

Configure Temperature

Set Childproof Lock

Display Appliance Info

Demo Mode

Check Connection

Restore Factory Settings

Setting User Settings:

- 1 With the oven on, touch Settings.
- 2 Use the arrows to select the desired setting.
- 3 Touch Enter.
- 4 Follow the instructions on the display.
- 5 Touch Enter.

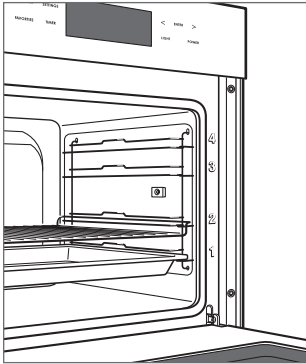


Control panel

Oven Operation

OVEN RACK POSITION

The oven rack and oven pan can be placed in any of the four positions labeled on the right front face of the oven. Refer to the illustration below.



Rack position

PRIOR TO USE

Follow the steps below to ensure all residual oil from the manufacturing process has been removed.

- 1 Clean the oven thoroughly with hot water and a mild detergent.
- 2 Rinse and dry with a soft cloth.
- 3 Turn on ventilation. Some smoke and odor is normal.
- 4 Select Bake mode and adjust the temperature to 570°F (300°C). Heat the oven (empty) for 60 minutes.

TIME

It is very important the correct time is set if a timed cook feature is used. The time must be reset after a power outage.

Setting the Time:

- 1 With the oven on, touch Settings.
- 2 Use the arrows to select Set Clock and touch Enter.
- 3 Use the arrows to set the correct time, then touch Enter.

TIMER

The timer can be set for a maximum of 9 hours and 59 minutes. Once the timer is set, the countdown appears on the display. The timer is independent from the oven. Setting the timer does not affect the operating time or switch-off time.

Setting the Timer:

- 1 Touch Timer.
- 2 Use the arrows to set the desired duration.
- 3 Touch Enter.

To adjust the timer, touch Timer and use the arrows to adjust the duration. To cancel the timer, use the left arrow to decrease the duration to 0, then touch Enter.

Oven Operation

COOKING MODES

Selecting a Cooking Mode:

- 1 Touch Quick Start.
- 2 Use the arrows to select the desired cooking mode.
- 3 Touch Enter.
- 4 Review the information on the display.
- 5 Touch Enter.

The unit will start 20 seconds after the last key touch. To start the mode immediately, use the arrows to select Start Operation, then touch Enter.

OPTIONS

Setting the Temperature:

- 1 Use the arrows to select the desired temperature.
- 2 Touch Enter.

Setting the Duration:

The oven heats immediately and turns off after the specified duration. The oven light illuminates three minutes prior to the end time.

If the temperature probe is used, the probe overrides the switch-off time and turns the oven off when the set temperature is reached.

- 1 Use the arrows to select the desired cooking duration.
- 2 Touch Enter.

Setting Set End:

The Set End feature automatically turns the oven on and off at specified times. The oven remains idle until the desired start time and turns off at the desired switch-off time. The clock must be set to the correct time for delayed start to function properly.

If the temperature probe is used, the probe overrides the switch-off time and turns the oven off when the set temperature is reached. If the probe temperature is not reached before the switch-off time, it will not extend the operating time.

- 1 Use the arrows to select the desired end time.
- 2 Touch Enter.

Setting the Food Probe Temperature:

- 1 Use the arrows to select the desired probe temperature.
- 2 Touch Enter.

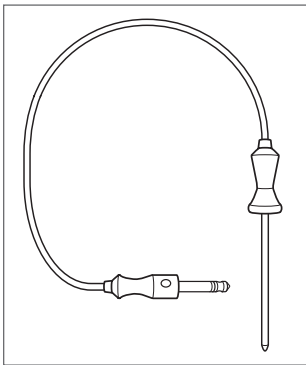
Oven Operation

TEMPERATURE PROBE

Use only the black temperature probe shipped with this appliance. Refer to the illustration below. The temperature probe measures the internal temperature of food while cooking. It can be used with all cooking modes except More Gourmet. When the temperature probe is installed, the actual probe temperature will be displayed.

⚠ CAUTION

Use only the probe shipped with this oven. Do not use a probe from any other appliance.



Temperature probe

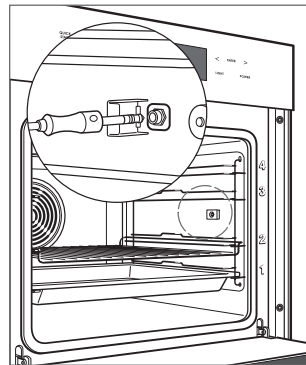
Setting controls:

- 1 Place the probe in the thickest part of the food.
- 2 Place food in the oven and insert the connector into the receptacle. Refer to the illustration below.
- 3 Select the desired cooking mode.
- 4 Touch Enter.
- 5 Use the arrows to select Set Food Probe Temperature.
- 6 Touch Enter.
- 7 Use the arrows to select the desired probe temperature.
- 8 Touch Enter.

The probe temperature set point appears on the display above the icon. To adjust the probe temperature, select Set Food Probe Temp, use the arrows to select the desired temperature, then touch Enter.

⚠ CAUTION

The probe and probe receptacle will be very hot. Handle with care.



Probe receptacle

Sabbath









This appliance is certified by Star-K to meet strict religious regulations in conjunction with specific instructions found on www.star-k.org.

Setting controls:

- 1 With the oven off, touch any button to activate the control panel, then touch Settings.
- 2 Use the arrows to select Set Loudness, then touch Enter.
- 3 Use the arrows to select Mute, then touch Enter.
- 4 Use the arrows to select Set Assistance Functions, then touch Enter.
- 5 Use the arrows to select Switch Automatic Illumination Off, then touch Enter.
- 6 Touch Off.
- 7 Touch Quick Start and use the arrows to select Convection, then touch Enter. Select the desired temperature at or below 210°F (99°C), then touch Enter.

Oven Operation

Cooking Modes

MODE	INDICATOR	RANGE	PROBE	USES
Bake		90–570°F (30–300°C)	•	Cooking space is heated by top and bottom elements. Standard operating mode for cooking and baking on a single rack.
Convection		90–530°F (30–275°C)	•	Cooking space is heated by an element in the back wall and circulated throughout the cavity with the convection fan. Use for cooking and baking items on multiple racks.
Convection Bake		90–480°F (30–250°C)	•	Cooking space is heated by the bottom element and circulated throughout the cavity with the convection fan.
Broil		1–5		Cooking space is heated by the broil element.
Convection Broil		90–480°F (30–250°C)		Cooking space is heated by the broil element and circulated throughout the cavity with the convection fan.
Bake Humid		90–480°F (30–250°C)	•	Cooking space is heated by top and bottom elements. Moisture produced during cooking is retained in the cavity.
Convection Humid		90–480°F (30–250°C)	•	Cooking space is heated by an element in the back wall and circulated throughout the cavity with the convection fan. Moisture produced during cooking is retained in the cavity.
Slow Cook		1–6	•	Cooking space is heated by the bottom element only.

Cooking Modes

GOURMET

Use Gourmet to prepare any of the foods listed below, fresh or refrigerated. Select the food and desired doneness, and the sensor adjusts the time, temperature, and humidity so no baking instructions are required.

FOOD

Meat

Poultry

Potatoes

Fresh Pizza

One Dish Meals

Baked Goods

Setting Gourmet:

- 1 Touch Gourmet.
- 2 Use the arrows to select the desired food.
- 3 Touch Enter.
- 4 Follow instructions on the display.
- 5 Touch Enter.

The unit starts 20 seconds after the last key touch. To start the mode immediately, use the arrows to select Start Operation, then touch Enter.

MORE

Touch More to access additional Gourmet items and cooking modes. Use the arrows to choose the option you want and touch Enter.

MODE	USES
------	------

Recipes	Allows the user to store individual cooking modes and temperatures or cooking sequences used to prepare custom foods. Up to 24 different user recipes can be stored in the system for easy access.
---------	--

More Gourmet	Use to prepare specified foods; fresh, refrigerated, or frozen. Select the food and desired doneness and the sensor adjusts time, temperature, and humidity so no instructions are required. The preset temperature and range are dependent on the food and desired doneness.
--------------	---

Slow Roast	Use to keep meats tender by slow roasting. Insert the temperature probe into the prepared meat, select a Slow Roast setting and completion time.
------------	--

Keep Warm	Keep Warm uses convection heat to keep foods warm.
-----------	--

Cooking Modes

FAVORITES

Commonly used cooking modes or foods can be saved in the system for easy access through the Favorites function. Up to 24 favorites can be stored at a time.

Creating a Favorite:

- 1 Select the desired food and doneness or cooking mode and temperature.
- 2 Before the cooking mode starts, touch Favorites.
- 3 Select an open file.
- 4 Touch Enter.
- 5 Using the arrows, enter a name for the file.
- 6 Touch Enter.

Selecting a Favorite:

- 1 With the oven on, touch Favorites.
- 2 Use the arrows to select the file to be used.
- 3 Touch Enter.

Self-Clean

During Self-Clean, the oven is heated to an extremely high temperature to burn off food soil. Remove the oven rack, oven pan and rack guides. They will discolor if left in during Self-Clean.

The duration of the Self-Clean cycle can be adjusted for the level of cooking residue. For light soil, the duration of the cleaning cycle is 1.5 hours and 2 hours for heavy soil. The complete cycle can take up to 5 hours including cool down.

Setting Self-Clean:

- 1 Touch Settings.
- 2 Select Self-Clean and touch Enter.
- 3 Use the arrows to select the desired level of cleaning, then touch Enter. The door locks automatically once the cycle begins.

The unit starts 20 seconds after the last key touch. To start the mode immediately, use the arrows to select Start Operation, then touch Enter.

Setting Delayed Start Self-Clean:

- 1 Touch Settings.
- 2 Select Self-Clean and touch Enter.
- 3 Use the arrows to select the desired level of cleaning, then touch Enter.
- 4 Select Set End and touch Enter.
- 5 Use the arrows to select desired switch-off time, then touch Enter.

To cancel Self-Clean mode at any time, touch Off. The oven door locks and remains locked until the Self-Clean cycle is complete and the oven temperature has cooled below 570°F (300°C).

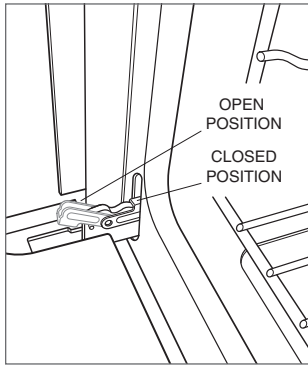
Care Recommendations

OVEN DOOR REMOVAL

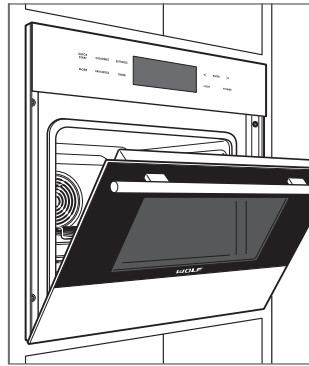
The oven door can be removed for a thorough cleaning.

To remove, open the oven door completely. Rotate both hinge latches forward to the open position. Close the door to approximately 30° open, then lift up and out. Refer to the illustrations below.

To reinstall, insert the door hinges into the frame openings. Open the oven door completely and rotate both hinge latches back to the closed position.



Oven door hinge latch

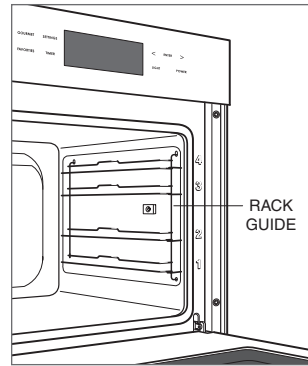


Door open 30°

RACK GUIDE REMOVAL

To remove the rack guides, push the top of the rack guide towards the rear of the oven cavity. Tip the top of the guide in towards the center of the oven and lift the bottom posts of the guide out of the positioning holes.

To reinstall, insert the bottom posts into the positioning holes and tip the rack guide up into position. Gently pull the guide forward until it engages the top holes. Refer to the illustration below.



Rack guide removal

Care Recommendations

Care Recommendations

CLEANING

Stainless steel	Use a nonabrasive stainless steel cleaner and apply with a soft lint-free cloth. To bring out the natural luster, lightly wipe the surface with a water-dampened microfiber cloth followed by a dry polishing chamois. Always follow the grain of stainless steel.
Door front	Spray glass cleaner on a cloth to clean.
Control panel	Use a spray degreaser to remove fingerprints and food soil. Spray on a cloth before wiping the control panel. Do not spray cleaners directly on the control panel.
Interior	For light cleaning, remove any cooking debris while the oven is still warm using a soft cloth dampened with water and a mild detergent. Wipe dry with a soft cloth.
Oven rack, rack guides, oven pan	Oven rack, rack guides, and stainless steel oven pan can be cleaned in the dishwasher.
Temperature probe	Do not clean the temperature probe in the dishwasher.

Troubleshooting

OPERATION

Oven does not operate.

- Verify power is on.
- Verify electrical power to the oven and home circuit breaker is on.

Oven temperature issue.

- Contact Wolf Customer Care at 800-222-7820 for recommendations.

Illumination is not working.

- Light bulb is defective, call Wolf Factory Certified Service.

Oven makes sounds during operation.

- The oven may emit switching sounds during operation. Such sounds are normal.

Oven pans are difficult to remove.

- Some combinations of heat, moisture, and food placement may cause oven pans to warp, but will return to their original shape when cool.

Troubleshooting

SERVICE

- Maintain the quality built into your product by contacting Wolf Factory Certified Service. For the name of the nearest Wolf Factory Certified Service, check the Product Support section of our website, wolfappliance.com, or call Wolf Customer Care at 800-222-7820.
- When contacting service, you will need the model and serial number of your product. Both numbers are listed on the product rating plate. Refer to page 6 for rating plate location.
- For warranty purposes, you will also need the date of installation and name of your authorized Wolf dealer. This information should be recorded on page 3 of this guide.

Wolf Appliance Residential Limited Warranty

FOR RESIDENTIAL USE

FULL TWO YEAR WARRANTY*

For two years from the date of original installation, this Wolf Appliance product warranty covers all parts and labor to repair or replace, under normal residential use, any part of the product that proves to be defective in materials or workmanship. All service provided by Wolf Appliance under the above warranty must be performed by Wolf Factory Certified Service, unless otherwise specified by Wolf Appliance, Inc. Service will be provided during normal business hours.

LIMITED FIVE YEAR WARRANTY

For five years from the date of original installation, Wolf Appliance will repair or replace the following parts that prove to be defective in materials or workmanship: gas burners (excludes appearance), electric heating elements, blower motors (ventilation hoods), electronic control boards, magnetron tubes and induction generators. If the owner uses Wolf Factory Certified Service, the service provider will repair or replace these parts with the owner paying for all other costs, including labor. If the owner uses non-certified service, the owner must contact Wolf Appliance, Inc. (using the information below) to receive repaired or replacement parts. Wolf Appliance will not reimburse the owner for parts purchased from non-certified service or other sources.

TERMS APPLICABLE TO EACH WARRANTY

The warranty applies only to products installed for normal residential use. The warranty applies only to products installed in any one of the fifty states of the United States, the District of Columbia or the ten provinces of Canada. This warranty does not cover any parts or labor to correct any defect caused by negligence, accident or improper use, maintenance, installation, service or repair.

THE REMEDIES DESCRIBED ABOVE FOR EACH WARRANTY ARE THE ONLY ONES THAT WOLF APPLIANCE, INC. WILL PROVIDE, EITHER UNDER THIS WARRANTY OR UNDER ANY WARRANTY ARISING BY OPERATION OF LAW. WOLF APPLIANCE, INC. WILL NOT BE RESPONSIBLE FOR ANY CONSEQUENTIAL OR INCIDENTAL DAMAGES ARISING FROM THE BREACH OF THIS WARRANTY OR ANY OTHER WARRANTY, WHETHER EXPRESS, IMPLIED OR STATUTORY.

Some states do not allow the exclusion or limitation of incidental or consequential damages, so the above limitation or exclusion may not apply to you. This warranty gives you specific legal rights and you may also have other legal rights that vary from state to state.

To receive parts and/or service and the name of Wolf Factory Certified Service nearest you, contact Wolf Appliance, Inc., P.O. Box 44848, Madison, WI 53744; check the Product Support section of our website, wolfappliance.com, email us at customerservice@subzero.com or call 800-222-7820.

*Stainless steel (doors, panels, handles, product frames and interior surfaces) are covered by a limited 60-day parts and labor warranty for cosmetic defects.

*Replacement filters for ventilation hood recirculating kits are not covered by the product warranty.



Contenido

- 3** Horno de la serie E de 24"
- 4** Precauciones de seguridad
- 6** Características de los hornos de la serie E de 24"
- 7** Funcionamiento del horno
- 15** Recomendaciones para el cuidado
- 17** Resolución de problemas
- 19** Garantía de Wolf

Atención al cliente

El modelo y número de serie están impresos en la tarjeta de registro del producto adjunta. Los dos números también aparecen en la placa de datos del producto. Consulte la página 6 para encontrar la placa de datos. Para fines de la garantía, usted también necesitará la fecha de instalación y el nombre de su distribuidor autorizado de Wolf. Anote esta información abajo para referencia futura.

INFORMACIÓN PARA SERVICIO

Número de modelo

Número de serie

Fecha de instalación

Nombre de servicio certificado

Número de servicio certificado

Distribuidor autorizado

Número de distribuidor

Si su producto alguna vez necesita servicio asegúrese de usar un proveedor de servicios certificado por Wolf y recomendado por nuestro centro de atención al cliente, o seleccione uno de nuestra lista de proveedores en wolfappliance.com/locator. Todos los proveedores de los centros de servicio autorizados han sido cuidadosamente seleccionados y entrenados a fondo por nosotros.

Aviso importante

Para garantizar que este producto se instale y opere de la forma más segura y eficiente posible, tome nota de los siguientes tipos de información resaltada en esta guía:

AVISO IMPORTANTE señala la información que es especialmente importante.

PRECAUCIÓN indica una situación en la que se pueden sufrir heridas leves o provocar daños al producto si no se siguen las instrucciones.

ADVERTENCIA indica peligro de que se produzcan heridas graves o incluso la muerte si no se siguen las precauciones.

AVISO IMPORTANTE: en toda esta guía, las dimensiones entre paréntesis son milímetros, a menos que se especifique lo contrario.

INSTRUCCIONES IMPORTANTES

PRECAUCIONES GENERALES DE SEGURIDAD

- Lea este manual con atención antes de usar este electrodoméstico para reducir el riesgo de incendio, descarga eléctrica o lesiones.
- Un técnico calificado o una agencia de servicio deben instalar y reparar este electrodoméstico y un técnico calificado debe conectarlo a tierra.
- Limpie solamente las partes enumeradas en este manual.
- No utilice limpiadores para hornos. No debe utilizar limpiadores comerciales para hornos ni capas protectoras de ninguna clase en o alrededor de cualquier parte del horno.
- No toque los elementos calefactores ni las superficies internas del horno. Los elementos calefactores pueden permanecer calientes incluso cuando tienen un color oscuro. Las superficies internas alcanzan altas temperaturas y pueden causar quemaduras. Durante y después del uso, no toque ni deje que su ropa u otros materiales ignífugos entren en contacto con los elementos calefactores o superficies internas del horno hasta que hayan tenido suficiente tiempo para enfriarse.
- Utilice siempre guantes de cocina secos al retirar las cacerolas de este electrodoméstico. Los guantes de cocina húmedos o mojados pueden provocar quemaduras por vapor. No utilice una toalla ni un paño grueso en lugar de los guantes de cocina.
- Tenga cuidado al abrir la puerta del horno. Deje salir el aire caliente o el vapor antes de mirar o meter las manos dentro del horno.
- Asegúrese de que no haya obstáculos en ningún momento en la entrada de aire fresco del horno (que se encuentra debajo de la puerta) ni en la rejilla de ventilación del horno (que se encuentra debajo de la puerta).
- Coloque la rejilla o la bandeja del horno a la altura deseada cuando el horno esté frío. Si debe cambiarla de posición cuando el horno esté caliente, asegúrese de que el guante de cocina no entre en contacto con un elemento calefactor caliente en el interior del horno.

▲ PRECAUCIÓN

Antes de utilizar la autolimpieza, retire la parrilla, las rejillas del horno, las guías de las rejillas y cualquier otro utensilio.

INSTRUCCIONES IMPORTANTES

PRECAUCIONES GENERALES DE SEGURIDAD

- No intente reparar ni cambiar parte alguna de este electrodoméstico a menos que esté específicamente recomendado en la documentación que acompaña a este electrodoméstico.
 - No utilice papel de aluminio para forrar ninguna parte de este electrodoméstico.
 - Nunca utilice este electrodoméstico para entibiar o calentar la habitación.
 - No deje a los niños solos o sin supervisión en el área donde se usa este electrodoméstico. Nunca permita que los niños se sienten o paren encima del electrodoméstico.
 - No use agua en incendios causados por grasas. Sofoque el fuego o utilice un extinguidor químico seco o de espuma.
 - No caliente recipientes de comida cerrados, como frascos de alimentos para bebés o enlatados. La acumulación de presión puede hacer que el recipiente explote y cause lesiones.
 - No almacene ni use gasolina u otros vapores o líquidos ignífugos en las proximidades de este o cualquier otro electrodoméstico.
 - No almacene artículos que puedan llamar la atención de niños arriba o detrás de este electrodoméstico, ya que estos podrían subirse al electrodoméstico para alcanzar los objetos y sufrir lesiones.
 - No limpie el empaque del horno, ya que frotarlo o moverlo puede poner en riesgo el sello de la puerta.
 - Utilice ropa adecuada. Nunca debe utilizar ropa holgada ni con aplicaciones sueltas al utilizar este electrodoméstico.
- Este electrodoméstico se calienta cuando se utiliza. Se debe tener cuidado de no tocar elementos térmicos dentro del horno.
 - No utilice limpiadores abrasivos ni raspadores metálicos filosos para limpiar el vidrio de la puerta del horno pues pueden rayar la superficie y quebrar el vidrio.
 - Antes de comenzar el ciclo de autolimpieza, se debe retirar el exceso de derrames de la cavidad del horno.
 - Utilice solamente la sonda de temperatura recomendada para este horno.
 - No utilice un limpiador de vapor para limpiar el electrodoméstico.

⚠ ADVERTENCIA

Las partes accesibles se pueden calentar durante el uso. Debe mantener a los niños pequeños alejados.

⚠ ADVERTENCIA

Verifique que el electrodoméstico está apagado o desconectado antes de reemplazar la lámpara para evitar la posibilidad de choques eléctricos.

⚠ ADVERTENCIA

PROPUESTA 65 PARA RESIDENTES DE CALIFORNIA

**Cáncer y Daño Reproductivo—
www.P65Warnings.ca.gov**

Características del horno de la serie E de 24"

Características del horno de la serie E de 24"

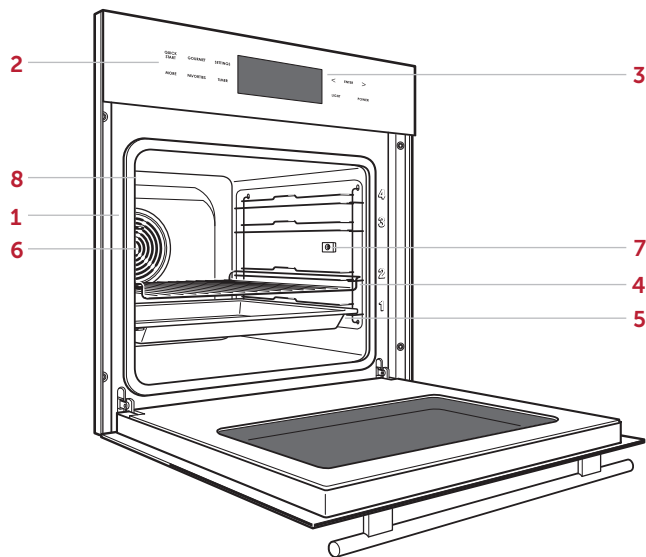
CARACTERÍSTICAS

- | | |
|---|---------------------------------------|
| 1 | Placa de datos del producto |
| 2 | Panel de control |
| 3 | Pantalla del panel de control |
| 4 | Rejillas ajustables del horno |
| 5 | Bandeja ajustable del horno |
| 6 | Ventilador de convección |
| 7 | Recipiente de la sonda de temperatura |
| 8 | Luz de halógeno |

Primeros pasos

Sabemos que no puede esperar para empezar a cocinar, pero antes de hacerlo, dedique un poco de tiempo a leer este manual de uso y cuidado. Si usted es cocinero ocasional o chef experto, se beneficiará de conocer las prácticas de seguridad, características, funcionamiento y recomendaciones sobre el cuidado de su horno de la serie E de Wolf.

Para obtener los mejores resultados revise los modos de cocción y características especiales en la página 12.



Horno de la serie E de 24"

Panel de control

Use el panel de control para configurar los modos de cocción y acceder a todas las características del horno de la serie E de 24" para conseguir resultados excepcionales. La pantalla del panel de control se desactivará después de 15 minutos de inactividad. Presione cualquier control para activar la pantalla.

Ajustes del usuario

Los ajustes del usuario le permiten seleccionar sus preferencias tal como se muestran a continuación.

AJUSTE

Establecer idioma

Ajustar pantalla

Fijar reloj

Configurar notificaciones

Autolimpieza

Ajustar volumen

Ajustar funciones de asistencia

Configurar temperatura

Ajustar bloqueo infantil

Mostrar información del electrodoméstico

Modo de demostración

Revisar la conexión

Restaurar la configuración de fábrica

Configurar los ajustes del usuario:

- 1 Con el horno encendido, presione Settings (ajustes).
- 2 Use las flechas para seleccionar la configuración deseada.
- 3 Presione Enter (intro).
- 4 Siga las instrucciones de la pantalla.
- 5 Presione Enter (intro).

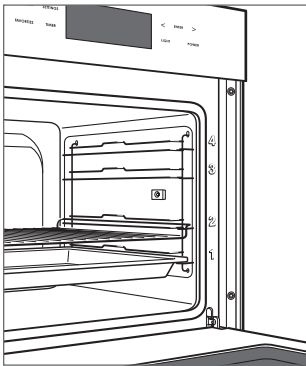


Panel de control

Funcionamiento del horno

POSICIÓN DE LAS REJILLAS DEL HORNO

La rejilla y la bandeja del horno pueden colocarse en cualquiera de las cuatro posiciones etiquetadas sobre la cara delantera de la derecha del horno. Consulte la siguiente ilustración.



Posición de la rejilla

ANTES DE USARLO

Siga estos pasos para asegurarse de que se haya eliminado todo el aceite residual del proceso de fabricación.

- 1 Limpie cuidadosamente el horno con agua caliente y un detergente suave.
- 2 Enjuague y seque con un paño suave.
- 3 Encienda la ventilación. Es normal que haya un poco de humo y olor.
- 4 Seleccione el modo de hornear y ajuste la temperatura a 570 °F (300 °C). Caliente el horno (vacío) durante 60 minutos.

HORA

Es muy importante que se establezca la hora correcta si se usa una característica de cocción por tiempo. Debe reajustar la hora después de un corte de energía.

Ajustar la hora:

- 1 Con el horno encendido, presione Settings (ajustes).
- 2 Use las flechas para seleccionar Set Clock (Ajuste de reloj) y presione Enter (intro).
- 3 Use las flechas para establecer la hora correcta y presione Enter (intro).

TEMPORIZADOR

El temporizador se puede ajustar para un máximo de 9 horas y 59 minutos. Una vez configurado el temporizador, aparece la cuenta regresiva en la pantalla. El temporizador es independiente del horno. Ajustar el temporizador no afecta el tiempo de cocción ni el tiempo de parada.

Ajustar el temporizador:

- 1 Presione Timer (temporizador).
- 2 Use las flechas para seleccionar la duración deseada.
- 3 Presione Enter (intro).

Para configurar el temporizador, presione Timer (temporizador) y use las flechas para ajustar la duración. Para cancelar el temporizador, use la flecha izquierda para disminuir la duración a 0 y luego presione Enter (intro).

Funcionamiento del horno

MODOS DE COCCIÓN

Seleccionar un modo de cocción:

- 1 Presione Quick Start (inicio rápido).
- 2 Use las flechas para seleccionar el modo de cocción deseado.
- 3 Presione Enter (intro).
- 4 Revise la información en la pantalla.
- 5 Presione Enter (intro).

El horno arrancará 20 segundos después de la última vez que presione la tecla. Para iniciar el modo inmediatamente, use las flechas para seleccionar Start Operation (Iniciar funcionamiento) y luego presione Enter (intro).

OPCIONES

Ajustar la temperatura:

- 1 Use las flechas para seleccionar la configuración deseada.
- 2 Presione Enter (intro).

Ajustar la duración:

El horno se calienta inmediatamente y se apaga luego de la duración especificada. La luz del horno se enciende tres minutos antes de que finalice el tiempo.

Si se usa una sonda de temperatura, esta desactivará la hora de apagado y apagará el horno cuando se alcance la temperatura deseada.

- 1 Use las flechas para seleccionar la duración de la cocción deseada.
- 2 Presione Enter (intro).

Ajustar tiempo de funcionamiento:

La opción de tiempo de funcionamiento enciende y apaga el horno automáticamente a una hora específica. El horno permanece inactivo hasta la hora de inicio deseada y se apaga a la hora que usted desee. El reloj debe estar configurado con la hora correcta para que el inicio retardado funcione correctamente.

Si se usa una sonda de temperatura, esta desactivará la hora de apagado y apagará el horno cuando se alcance la temperatura deseada. Si la temperatura de la sonda no se alcanza antes de la hora de apagado, no se extenderá el tiempo de funcionamiento.

- 1 Use las flechas para seleccionar el tiempo de funcionamiento deseado.
- 2 Presione Enter (intro).

Ajustar la sonda de temperatura de alimentos:

- 1 Use las flechas para seleccionar la temperatura deseada de la sonda.
- 2 Presione Enter (intro).

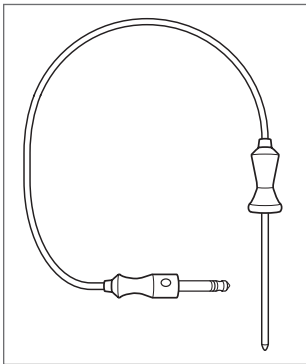
Funcionamiento del horno

SONDA DE TEMPERATURA

Use solamente la sonda de temperatura negra que viene con este electrodoméstico. Consulte la siguiente ilustración. La sonda de temperatura mide la temperatura interna de los alimentos durante la cocción. Se puede utilizar con todos los modos de cocción excepto el de More Gourmet (más gourmet). Cuando la sonda de temperatura esté instalada, se mostrará la temperatura real de la misma.

⚠ PRECAUCIÓN

Use solamente la sonda que viene con este horno. No use ninguna sonda de cualquier otro electrodoméstico.



Sonda de temperatura

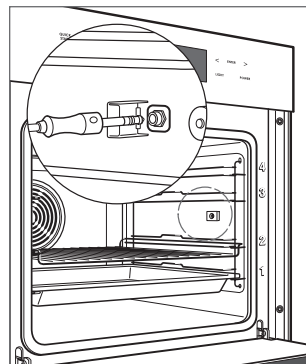
Ajustar los controles:

- 1 Coloque la sonda en la parte más gruesa de la comida.
- 2 Coloque la comida en el horno e inserte el conector en el receptáculo. Consulte la siguiente ilustración.
- 3 Seleccione el modo de cocción deseado.
- 4 Presione Enter (intro).
- 5 Use las flechas para seleccionar la temperatura deseada de la sonda de alimentos.
- 6 Presione Enter (intro).
- 7 Use las flechas para seleccionar la temperatura deseada de la sonda.
- 8 Presione Enter (intro).

El punto configurado de temperatura de la sonda aparece en la pantalla encima del ícono. Para configurar la temperatura de la sonda, seleccione Set Food Probe Temp (Fijar temperatura de la sonda de alimentos) y use las flechas para seleccionar la temperatura deseada, luego presione Enter (intro).

⚠ PRECAUCIÓN

La sonda y el receptáculo estarán muy calientes. Manipule con cuidado.



Receptáculo de la sonda

Shabat

Este electrodoméstico lleva el certificado Star-K que indica que cumple con estrictas normas religiosas junto con instrucciones específicas que aparecen en www.star-k.org.

Ajustar los controles:

- 1 Con el horno apagado, presione cualquier botón para activar el panel de control, y luego presione Settings (ajustes).
- 2 Use las flechas para seleccionar Set Loudness (ajustar volumen), luego presione Enter (intro).
- 3 Use las flechas para seleccionar Mute (silencio), luego presione Enter (intro).
- 4 Use las flechas para seleccionar Set Assistance Functions (ajustar funciones de ayuda) y luego presione Enter (intro).
- 5 Use las flechas para seleccionar Switch Automatic Illumination Off (cambiar iluminación automática a apagada) y luego presione Enter (intro).
- 6 Presione Off (apagar).
- 7 Presione Quick Start (inicio rápido) y use las flechas para seleccionar Convección y luego presione Enter (intro). Seleccione la temperatura deseada en o por debajo de 210°F (99°C) y luego presione Enter (intro).

Funcionamiento del horno

Modos de cocción

MODO	INDICADOR	RANGO	SONDA	USOS
Hornear		90–570°F (30–300°C)	•	El espacio de cocción se calienta con los elementos superiores e inferiores. Modo de funcionamiento normal de cocción y horneado en una sola rejilla.
Convección		90–530°F (30–275°C)	•	El espacio de cocción se calienta con un elemento de la pared posterior y el calor circula por toda la cavidad con el ventilador de convección. Use para cocinar y hornear alimentos en varias rejillas.
Hornear por convección		90–480°F (30–250°C)	•	El espacio de cocción se calienta con el elemento inferior y el calor circula por toda la cavidad con el ventilador de convección.
Asar		1–5		El espacio de cocción se calienta con el accesorio para asar.
Asar por convección		90–480°F (30–250°C)		El espacio de cocción se calienta con el elemento de asado y el calor circula por toda la cavidad con el ventilador de convección.
Hornear en húmedo		90–480°F (30–250°C)	•	El espacio de cocción se calienta con los elementos superiores e inferiores. El vapor producido durante la cocción se conserva en la cavidad.
Convección en húmedo		90–480°F (30–250°C)	•	El espacio de cocción se calienta con un elemento de la pared posterior y el calor circula por toda la cavidad con el ventilador de convección. El vapor producido durante la cocción se conserva en la cavidad.
Cocción lenta		1–6	•	El espacio de cocción se calienta solamente con el elemento inferior.

Modos de cocción

GOURMET

Use el modo Gourmet para preparar cualquiera de las siguientes comidas, frescas o refrigeradas. Seleccione el alimento y el punto de cocción deseado y el sensor ajustará la hora, la temperatura y la humedad, por lo que no se requieren instrucciones de horneado.

ALIMENTOS

Carne

Aves

Papas

Pizza fresca

Comidas de un platillo

Productos horneados

Ajustar Gourmet:

- 1 Presione Gourmet.
- 2 Use las flechas para seleccionar los alimentos deseados.
- 3 Presione Enter (intro).
- 4 Siga las instrucciones de la pantalla.
- 5 Presione Enter (intro).

El horno arrancará 20 segundos después de presionar la última tecla. Para iniciar el modo inmediatamente, use las flechas para seleccionar Start Operation (Iniciar funcionamiento) y luego presione Enter (intro).

MORE (MÁS)

Presione More (más) para ver productos Gourmet y modos de cocción adicionales. Use las flechas para escoger la opción que desee y presione Enter (intro).

MODO

USOS

Recetas	Permite al usuario almacenar modos de cocción y temperaturas individuales o secuencias de cocción usadas para preparar comidas personalizadas. Se pueden almacenar hasta 24 recetas del usuario en el sistema para fácil acceso.
----------------	--

Más Gourmet	Úselo para preparar comidas específicas, frescas, refrigeradas o congeladas. Seleccione la comida y el punto de cocción deseado y el sensor ajustará la hora, temperatura y humedad, así que no son necesarias más instrucciones. La temperatura y el rango preestablecidos dependen de la comida y del punto de cocción deseado.
--------------------	---

Asado lento	Use para mantener blandas las carnes mediante el asado lento. Inserte la sonda de temperatura en la carne preparada, seleccione el ajuste de Slow Roast (asado lento) y el tiempo de finalización.
--------------------	--

Mantener caliente	Keep Warm (mantener caliente) usa el calor de convección para mantener las comidas calientes.
--------------------------	---

Modos de cocción

FAVORITES (FAVORITOS)

Los modos de cocción o alimentos usados comúnmente pueden guardarse en el sistema para un fácil acceso mediante la función Favorites (favoritos). Se pueden guardar hasta 24 favoritos a la vez.

Crear un favorito:

- 1 Seleccione el alimento y el punto de cocción o el modo de cocción y la temperatura deseados.
- 2 Antes de que el modo de cocción empiece, presione Favorties (favoritos).
- 3 Seleccione un archivo abierto.
- 4 Presione Enter (intro).
- 5 Mediante las flechas, ingrese un nombre para el archivo.
- 6 Presione Enter (intro).

Seleccionar un favorito:

- 1 Con el horno encendido, presione Favorties (favoritos).
- 2 Use las flechas para seleccionar el archivo que será usado.
- 3 Presione Enter (intro).

Autolimpieza

Durante la autolimpieza, el horno alcanza una temperatura extremadamente alta para quemar los residuos de los alimentos. Retire la rejilla, la bandeja y las guías de rejillas del horno. Estas perderán su color si las deja dentro del horno durante la autolimpieza.

La duración del ciclo de autolimpieza se puede ajustar según el nivel de residuos de alimentos. Para residuos livianos, la duración del ciclo de limpieza es de 1 hora y media y para residuos pesados es de 2 horas. El ciclo total puede durar hasta 5 horas, incluido el enfriamiento.

Ajuste de la autolimpieza:

- 1 Presione Settings (configuración).
- 2 Seleccione Self-Clean (autolimpieza) y presione Enter (intro).
- 3 Use las flechas para seleccionar el nivel de limpieza deseado y luego presione Enter (intro). Al comenzar el ciclo, la puerta se bloquea automáticamente.

El horno arrancará 20 segundos después de presionar la última tecla. Para iniciar el modo inmediatamente, use las flechas para seleccionar Start Operation (iniciar funcionamiento) y luego presione Enter (intro).

Ajuste de autolimpieza con inicio retardado:

- 1 Presione Settings (configuración).
- 2 Seleccione Self-Clean (autolimpieza) y presione Enter (intro).
- 3 Use las flechas para seleccionar el nivel de limpieza deseado y luego presione Enter (intro).
- 4 Seleccione Set End (tiempo de funcionamiento) y presione Enter (intro).
- 5 Use las flechas para seleccionar el tiempo de apagado deseado y presione Enter (intro).

Para cancelar el modo de autolimpieza en cualquier momento, presione Off (apagado). La puerta del horno se bloqueará y permanecerá bloqueada hasta que el ciclo de autolimpieza termine y la temperatura del horno haya descendido a menos de 570 °F (300 °C).

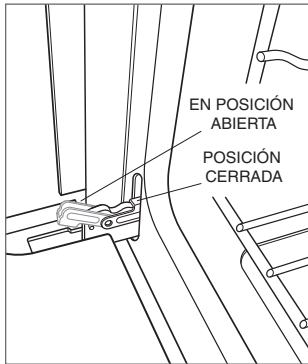
Recomendaciones para el cuidado

CÓMO QUITAR LA PUERTA DEL HORNO

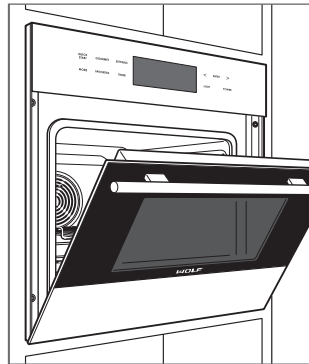
La puerta del horno se puede retirar para una limpieza profunda.

Para quitar la puerta del horno, ábrala completamente. Gire los pestillos de las bisagras hacia adelante a la posición abierta. Cierre la puerta hasta que quede abierta aproximadamente a 30° y luego levante hacia arriba y sáquela. Revise las siguientes ilustraciones.

Para volver a instalarla, inserte las bisagras de la puerta en las aberturas del marco. Abra la puerta del horno completamente y gire ambos pestillos de las bisagras hacia atrás a la posición cerrada.



Pestillo de la bisagra de la puerta del horno

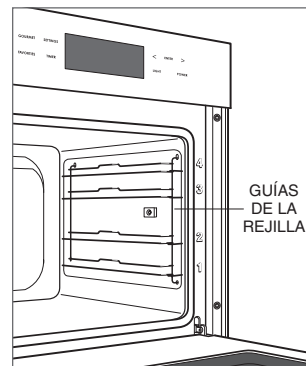


Puerta abierta a 30°

RETIRAR LAS GUÍAS DE LA REJILLA

Para retirar las guías de la rejilla, empuje la parte superior de la guía hacia la parte posterior de la cavidad del horno. Incline la parte superior de la guía hacia el centro del horno y levante las espigas inferiores de la misma afuera de los orificios de posicionamiento.

Para volver a instalar las guías, inserte las espigas inferiores en los orificios de posicionamiento y gire la guía hasta su posición. Hale suavemente la guía hacia adelante hasta que se acople en los orificios superiores. Consulte la siguiente ilustración.



Retirar las guías de la rejilla

Recomendaciones para el cuidado

Recomendaciones para el cuidado

LIMPIEZA

Acero inoxidable	Utilice un limpiador no abrasivo para acero inoxidable y aplique con un paño suave que no deje pelusa. Para resaltar el lustre natural, limpie suavemente la superficie con una tela de microfibra humedecida con agua y, luego, pule en seco con una gamuza. Siempre siga la dirección del acabado del acero inoxidable.
Frente de la puerta	Rocíe líquido limpiador de cristales en un paño para limpiar.
Panel de control	Utilice desengrasante en aerosol para retirar las marcas de los dedos y los residuos de alimentos. Rocíe el producto en un paño antes de limpiar el panel. No aplique limpiadores directamente sobre el panel de control.
Interior	Para realizar una limpieza suave, retire los residuos de comida con un paño suave humedecido en agua y detergente suave, mientras el horno esté tibio. Seque con un paño suave.
Rejilla, guías y bandeja del horno	La rejilla, las guías y la bandeja de acero inoxidable se pueden limpiar en el lavaplatos.
Sonda de temperatura	No limpie la sonda de temperatura en el lavaplatos.

Resolución de problemas

FUNCIONAMIENTO

El horno no funciona.

- Compruebe que esté encendido.
- Compruebe que la alimentación eléctrica a la unidad y el interruptor de circuito de la casa estén encendidos.

Problemas con la temperatura del horno.

- Póngase en contacto con atención al cliente de Wolf a través del 800-222-7820 para recomendaciones.

No funciona la luz.

- La bombilla está defectuosa, llame al servicio autorizado de fábrica de Wolf.

El horno hace ruido durante el funcionamiento.

- El horno puede emitir sonidos de intercambio durante el funcionamiento. Esos sonidos son normales.

Es difícil retirar las bandejas del horno.

- Algunas combinaciones de calor, humedad y ubicación de alimentos pueden hacer que las bandejas del horno se tuerzan, pero volverán a su forma original cuando se enfríen.

Resolución de problemas

SERVICIO

- Para mantener la calidad incorporada en su producto, póngase en contacto con el servicio certificado de fábrica de Wolf. Para conocer los datos del centro de servicio certificado de fábrica de Wolf más cercano, consulte la sección de Soporte de productos de nuestro sitio web, wolfappliance.com o bien, llame a la línea de atención al cliente de Wolf al 800-222-7820.
- Al comunicarse con el servicio, necesitará el modelo y número de serie de su producto. Los dos números también aparecen en la placa de datos del producto. Consulte la página 6 para encontrar la placa de datos.
- Para fines de la garantía, usted también necesitará la fecha de instalación y el nombre de su distribuidor autorizado de Wolf. Esta información debe estar registrada en la página 3 de este manual.

Garantía limitada residencial de Wolf Appliance

PARA USO RESIDENCIAL

GARANTÍA COMPLETA DE DOS AÑOS*

Durante dos años a partir de la fecha de la instalación original, la garantía de su producto Wolf Appliance cubre todas las partes y mano de obra para reparar o reemplazar, bajo el uso residencial normal, cualquier parte del producto que se compruebe estar defectuosa en material o mano de obra. Todos los servicios proporcionados por Wolf Appliance bajo la garantía anterior deben ser ejecutados por servicios certificados de fábrica de Wolf, a menos que Wolf Appliance, Inc. lo especifique de otra manera. El Servicio será proporcionado durante el horario comercial normal.

GARANTÍA LIMITADA DE CINCO AÑOS

Por cinco años a partir de la fecha de la instalación original, Wolf Appliance reparará o reemplazará los siguientes componentes que se comprueben estar defectuosos en material o mano de obra: quemadores de gas (excluyendo la apariencia), elementos eléctricos de calentamiento, motores de sopladores (campanas de ventilación), módulos de control eléctrico, tubos magnetrón y generadores de inducción. Si el propietario utiliza el servicio certificado de fábrica de Wolf, el prestador del servicio reparará o reemplazará estas partes mediante el pago de todos los otros costos, incluyendo mano de obra, a cargo del propietario. Si el propietario utiliza un servicio no certificado, debe ponerse en contacto con Wolf Appliance, Inc. (utilizando la información anotada más adelante) para recibir los componentes reparados o de reemplazo. Wolf Appliance no reembolsará al propietario los importes correspondientes a componentes comprados a un servicio no certificado o a otras fuentes.

TÉRMINOS APLICABLES A CADA GARANTÍA

La garantía se aplica solamente a los productos instalados para uso residencial normal. La garantía se aplica solamente a los productos instalados en cualquiera de los cincuenta estados de los Estados Unidos, el Distrito de Columbia o las diez provincias de Canadá. Esta garantía no cubre las partes o mano de obra para corregir cualquier defecto causado por negligencia, accidente o uso, mantenimiento, instalación, servicio o reparación inadecuados.

LOS RECURSOS DESCRITOS ANTERIORMENTE PARA CADA GARANTÍA SON LOS ÚNICOS QUE WOLF APPLIANCE, INC. PROPORCIONARÁ, YA SEA BAJO ESTA GARANTÍA O BAJO CUALQUIER GARANTÍA QUE RESULTE DE LA APLICACIÓN DE LA LEY. WOLF APPLIANCE, INC. NO SE HACE RESPONSABLE POR LOS DAÑOS INDIRECTOS O INCIDENTALES DERIVADOS DE LA VIOLACIÓN DE ESTA GARANTÍA O CUALQUIER OTRA GARANTÍA, YA SEA EXPRESA, IMPLÍCITA O LEGAL.

Algunos estados no permiten la exclusión o limitación de daños incidentales o consecuentes, por lo tanto la limitación o exclusión anterior podrían no aplicarse en su caso. Esta garantía le otorga derechos legales específicos, y usted también puede tener otros derechos legales que varían entre estados.

Para recibir las partes o el servicio y el nombre del servicio certificado de fábrica de Wolf más cercano a usted, póngase en contacto con Wolf Appliance, Inc., P.O. Box 44848, Madison, WI 53744; Verifique la sección de Soporte de productos de nuestro sitio web, wolfappliance.com, envíenos un correo electrónico a customerservice@subzero.com o llame al 800-222-7820.

*Las puertas, paneles, manijas, estructuras de acero inoxidable y superficies internas están cubiertas por una garantía limitada de 60 días sobre piezas y mano de obra, por defectos cosméticos.

*Los filtros de repuesto para los kits de circulación de la campana de ventilación no están cubiertos por la garantía del producto.



Table des matières

3	Four de la série e de 24 po
4	Précautions de sécurité
6	Caractéristiques du four de la série E
7	Fonctionnement du four
15	Conseils d'entretien
17	Dépannage
19	Garantie Wolf

Service à la clientèle

Le numéro de modèle et le numéro de série sont imprimés sur la fiche d'enregistrement du produit ci-jointe. Les deux numéros sont aussi indiqués sur la plaque signalétique du produit. Reportez-vous à la page 6 pour connaître l'emplacement de la plaque signalétique. Pour les besoins de la garantie, vous devrez aussi avoir la date d'installation et le nom de votre dépositaire Wolf autorisé. Inscrivez ces renseignements ci-dessous pour consultation ultérieure.

RENSEIGNEMENTS SUR LE SERVICE

Numéro de modèle

Numéro de série

Date de l'installation

Nom du service certifié

Numéro du service certifié

Dépositaire autorisé

Numéro du dépositaire

Si votre produit a besoin d'être réparé, assurez-vous d'utiliser un fournisseur de service certifié par l'usine Wolf recommandé par notre centre de service à la clientèle, ou sélectionnez-en un parmi la liste de fournisseurs disponibles à wolfappliance.com/locator. Tous les fournisseurs de service certifiés par l'usine sont soigneusement sélectionnés et rigoureusement formés par nous.

Remarque importante

Pour s'assurer que ce produit est installé et utilisé en toute sécurité et aussi efficacement que possible, prenez note des types de renseignements mis en évidence tout au long de ce guide :

REMARQUE IMPORTANTE met en évidence des renseignements qui sont particulièrement importants.

MISE EN GARDE indique une situation où une blessure mineure ou des dommages au produit peuvent se produire si les directives ne sont pas respectées.

AVERTISSEMENT décrit un danger qui peut causer une blessure grave ou la mort si les précautions ne sont pas respectées.

REMARQUE IMPORTANTE : tout au long de ce guide, les dimensions entre parenthèses sont en millimètres à moins d'indication contraire.

DIRECTIVES IMPORTANTES

PRÉCAUTIONS DE SÉCURITÉ GÉNÉRALE

- Lisez ce guide attentivement avant d'utiliser cet appareil afin de réduire le risque d'incendie, de choc électrique ou de blessures.
- Cet appareil doit être correctement installé et réparé par un installateur qualifié ou une agence de service et mis à la terre par un technicien qualifié.
- Nettoyez seulement les pièces indiquées dans ce guide.
- N'utilisez pas de nettoyeurs pour le four. Aucun nettoyeur pour le four commercial ni aucun revêtement protecteur de toute sorte ne doivent être utilisés dans ou autour des pièces du four.
- Ne touchez pas aux éléments de chauffage ou aux surfaces intérieures du four. Les éléments de chauffage peuvent être chauds même s'ils sont de couleur foncée. Les surfaces intérieures deviennent assez chaudes pour causer des brûlures. Pendant et après l'utilisation, ne touchez pas et ne laissez pas les vêtements ou d'autres matériaux inflammables entrer en contact avec les éléments de chauffage ou les surfaces intérieures du four avant qu'ils n'aient eu suffisamment de temps pour se refroidir.
- Utilisez toujours des poignées sèches pour retirer des casseroles de cet appareil. Des poignées mouillées ou humides peuvent causer des brûlures de vapeur. N'utilisez pas une serviette ou un chiffon épais au lieu de poignées.
- Faites attention lorsque vous ouvrez la porte du four. Laissez l'air chaud ou la vapeur s'échapper avant de regarder ou de mettre les bras dans le four.
- Assurez-vous que l'admission d'air frais du four (située sous la porte) et le conduit de sortie du four (situé au-dessus de la porte) sont dégagés en tout temps.
- Placez la grille ou la plaque de four à l'endroit désiré lorsque le four est froid. Si la grille ou la plaque doivent être déplacées et que le four est déjà chaud, assurez-vous que les poignées n'entrent pas en contact avec un élément de chauffage chaud du four.

▲ MISE EN GARDE

Avant d'utiliser la fonction autonettoyage, retirez la lèchefrite, les grilles du four, les guides de grille et tout autre ustensile.

DIRECTIVES IMPORTANTES

PRÉCAUTIONS DE SÉCURITÉ GÉNÉRALE

- Ne réparez pas et ne remplacez pas toute pièce de cet appareil à moins que cela ne soit spécifiquement recommandé dans la documentation accompagnant l'appareil.
- N'utilisez pas du papier en aluminium pour couvrir toute partie de cet appareil.
- N'utilisez jamais cet appareil pour réchauffer ou chauffer la pièce.
- Ne laissez pas des enfants seuls ou sans surveillance dans la zone où cet appareil est utilisé. Ne laissez jamais des enfants s'asseoir ou se tenir debout sur l'appareil.
- N'utilisez pas de l'eau sur des incendies de graisse. Éteufez la flamme ou utilisez un extincteur à poudre chimique ou à mousse.
- Ne chauffez pas des contenants d'aliment non ouverts comme les pots et les boîtes de nourriture pour bébé. L'accumulation de pression peut faire éclater le contenant et causer des blessures.
- Ne rangez pas et n'utilisez pas de l'essence ou d'autres vapeurs ou liquides inflammables à proximité de cet appareil ou de tout autre appareil.
- Ne rangez pas des articles intéressants pour les enfants au-dessus ou à l'arrière de cet appareil puisqu'ils pourraient grimper sur l'appareil pour les atteindre et se blesser.
- Ne nettoyez pas le joint du four; le frottement ou le déplacement du joint peuvent compromettre l'étanchéité de la porte.
- Portez des vêtements appropriés. Des vêtements lâches ou pendants ne doivent jamais être portés pendant que vous utilisez cet appareil.
- Durant son utilisation, l'appareil devient chaud. Évitez de toucher aux éléments de chauffage se trouvant dans le four.
- N'utilisez pas des produits nettoyants agressifs ou des grattoirs métalliques coupants pour nettoyer la vitre de la porte du four puisqu'ils peuvent égratigner la surface, ce qui peut entraîner l'éclatement de la vitre.
- Avant de commencer le cycle auto-nettoyage, tout excédent de renversement doit être retiré de la cavité du four.
- Utilisez uniquement la sonde de température recommandée pour ce four.
- N'utilisez pas un nettoyeur à vapeur pour nettoyer l'appareil.

⚠ AVERTISSEMENT

Les pièces accessibles peuvent devenir chaudes durant l'utilisation. Les jeunes enfants ne doivent pas s'approcher.

⚠ AVERTISSEMENT

Assurez-vous que l'appareil est éteint ou débranché avant de remplacer la lampe pour éviter tout risque de choc électrique.

⚠ AVERTISSEMENT

PROPOSITION 65 POUR RESIDENTS DE LA CALIFORNIE

**Cancer et Troubles de l'appareil reproducteur—
www.P65Warnings.ca.gov**

Caractéristiques du four de la série E de 24 po

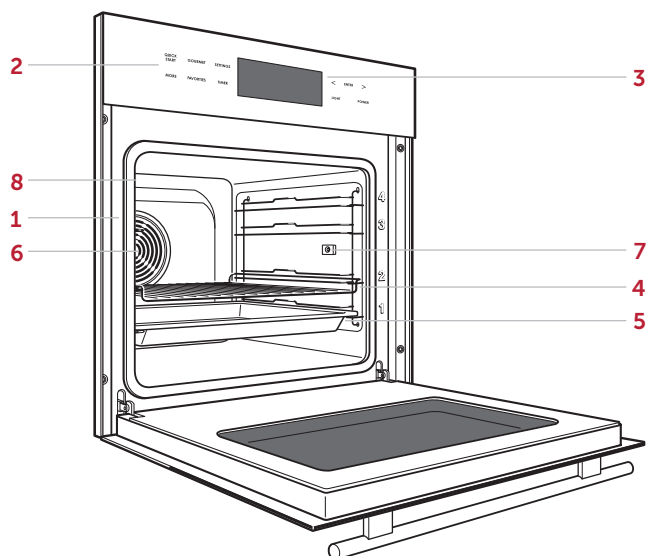
CARACTÉRISTIQUES

- | | |
|---|----------------------------------|
| 1 | Plaque signalétique du produit |
| 2 | Panneau de commande |
| 3 | Écran du panneau de commande |
| 4 | Grille de four réglable |
| 5 | Plaque de four réglable |
| 6 | Ventilateur à convection |
| 7 | Prise de la sonde de température |
| 8 | Éclairage halogène |

Comment commencer

Nous savons que vous êtes impatient de commencer à cuisiner, mais avant de le faire, veuillez prendre quelques instants pour lire ce guide d'utilisation et d'entretien. Que vous soyez un cuisinier occasionnel ou un chef expert, il vous sera bénéfique de vous familiariser avec les pratiques de sécurité, les fonctions, le fonctionnement, et les recommandations d'entretien de votre four Wolf de la série E.

Pour obtenir les meilleurs résultats, examinez les modes de cuisson et les caractéristiques spéciales à la page 12.



Four de la série E de 24 po

Panneau de commande

Utilisez le panneau de commande pour régler les modes de cuisson et accéder à toutes les caractéristiques du four de la série E de 24 po afin d'obtenir des résultats exceptionnels. L'affichage du panneau de commande devient inactif après 15 minutes d'inactivité. Appuyez sur l'une ou l'autre des commandes pour activer l'écran.

Paramètres de l'utilisateur

Les paramètres de l'utilisateur permettent à ce dernier de choisir des préférences pour les options indiquées dans le tableau ci-dessous.

PARAMÈTRE

Réglage de la langue

Ajustement de l'écran

Réglage de l'horloge

Configuration des notifications

Auto-nettoyage

Réglage du volume

Réglage des fonctions d'aide

Configuration de la température

Réglage du verrouillage pour la sécurité des enfants

Affichage des renseignements sur l'appareil

Mode de démonstration

Vérification de la connexion

Rétablissement des paramètres réglés en usine

Réglage des paramètres de l'utilisateur :

- 1 Avec le four en marche, appuyez sur Settings (paramètres).
- 2 Utilisez les flèches pour sélectionner le paramètre voulu.
- 3 Touchez à Enter (entrée).
- 4 Suivez les directives affichées sur l'écran.
- 5 Touchez à Enter (entrée).

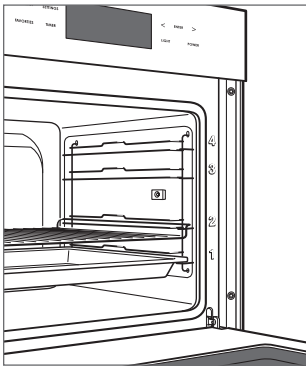


Panneau de commande

Fonctionnement du four

POSITION DE LA GRILLE DE FOUR

La grille et la plaque de four peuvent être placées dans l'une ou l'autre des quatre positions indiquées sur la façade avant droite du four. Reportez-vous à l'illustration ci-dessous.



Position de la grille

AVANT L'UTILISATION

Suivez les étapes ci-dessous pour vous assurer que toute huile résiduelle du processus de fabrication a été éliminée.

- 1 Nettoyez le four à fond avec de l'eau chaude et un détergent doux.
- 2 Rincez et séchez avec un chiffon doux.
- 3 Mettez la ventilation en marche. Il est normal de voir de la fumée et de sentir une odeur.
- 4 Sélectionnez le mode cuisson et réglez la température à 570 °F (300 °C). Faites chauffer le four (vide) pendant 60 minutes.

HEURE

Il est très important que l'heure soit correctement réglée si une fonction de cuisson minutée est utilisée. L'heure doit être réinitialisée après une panne de courant.

Réglage de l'heure :

- 1 Avec le four en marche, appuyez sur Settings (paramètres).
- 2 Utilisez les flèches pour sélectionner Régler l'horloge, puis touchez à Enter (entrée).
- 3 Utilisez les flèches pour sélectionner l'heure actuelle, puis touchez à Enter (entrée).

MINUTERIE

La minuterie peut être réglée pour une période maximale de 9 heures et 59 minutes. Une fois la minuterie programmée, le décompte s'affiche sur l'écran. La minuterie est indépendante du four. Le réglage de la minuterie n'affecte pas la durée de fonctionnement ou l'heure d'arrêt.

Réglage de la minuterie :

- 1 Touchez à Timer (minuterie).
- 2 Utilisez les flèches pour régler la durée voulue.
- 3 Touchez à Enter (entrée).

Pour régler la minuterie, touchez à Timer (minuterie) et utilisez les flèches pour modifier la durée. Pour annuler la minuterie, utilisez la flèche de gauche pour réduire la durée jusqu'à 0, puis touchez à Enter (entrée).

Fonctionnement du four

MODES DE CUISSON

Sélection du mode de cuisson :

- 1 Touchez à Quick Start (démarrage rapide).
- 2 Utilisez les flèches pour sélectionner le mode de cuisson voulu.
- 3 Touchez à Enter (entrée).
- 4 Examinez les renseignements affichés sur l'écran.
- 5 Touchez à Enter (entrée).

L'unité se mettra en marche 20 secondes après le dernier appui d'une touche. Pour commencer le mode immédiatement, utilisez les flèches pour sélectionner Commencer le fonctionnement, puis touchez à Enter (entrée).

OPTIONS

Réglage de la température :

- 1 Utilisez les flèches pour sélectionner la température voulue.
- 2 Touchez à Enter (entrée).

Réglage de la durée :

Le four se chauffe immédiatement et s'éteint après la durée précisée. La lumière du four s'allume trois minutes avant la fin de la durée.

Si la sonde de température est utilisée, la sonde a priorité sur l'heure d'arrêt et éteint le four lorsque la température programmée est atteinte.

- 1 Utilisez les flèches pour sélectionner la durée de cuisson voulue.
- 2 Touchez à Enter (entrée).

Réglage de la fin :

La fonction de réglage de la fin allume et éteint automatiquement le four à des heures précisées. Le four demeure en attente jusqu'à l'heure de mise en marche désirée et s'éteint à l'heure d'arrêt désirée. L'horloge doit être réglée à la bonne heure pour que la mise en marche différée fonctionne correctement.

Si la sonde de température est utilisée, la sonde a priorité sur l'heure d'arrêt et éteint le four lorsque la température programmée est atteinte. Si la température de la sonde n'est pas atteinte avant l'heure d'arrêt, la durée de fonctionnement ne sera pas prolongée.

- 1 Utilisez les flèches pour sélectionner l'heure d'arrêt voulue.
- 2 Touchez à Enter (entrée).

Réglage de la température de la sonde d'aliment :

- 1 Utilisez les flèches pour sélectionner la température de sonde voulue.
- 2 Touchez à Enter (entrée).

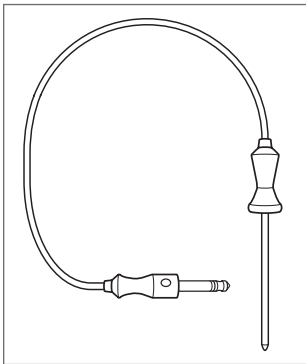
Fonctionnement du four

SONDE DE TEMPÉRATURE

Utilisez uniquement la sonde de température noire expédiée avec cet appareil. Reportez-vous à l'illustration ci-dessous. La sonde de température mesure la température interne des aliments pendant la cuisson. Elle peut être utilisée avec tous les modes de cuisson, sauf Autre gastronomique. Lorsque la sonde de température est installée, la température réelle de la sonde est affichée.

⚠ MISE EN GARDE

Utilisez uniquement la sonde expédiée avec ce four. N'utilisez pas une sonde provenant d'un autre appareil.



Sonde de température

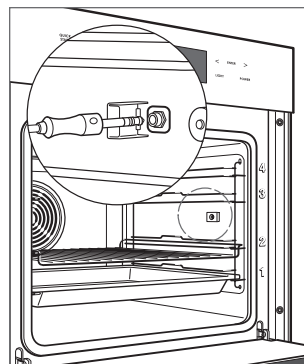
Réglage des commandes :

- 1 Insérez la sonde dans la zone la plus épaisse de l'aliment.
- 2 Placez l'aliment dans le four et insérez le connecteur dans la prise. Reportez-vous à l'illustration ci-dessous.
- 3 Sélectionnez le mode de cuisson désiré.
- 4 Touchez à Enter (entrée).
- 5 Utilisez les flèches pour sélectionner Réglage de la température de la sonde d'aliment.
- 6 Touchez à Enter (entrée).
- 7 Utilisez les flèches pour sélectionner la température de sonde voulue.
- 8 Touchez à Enter (entrée).

Le point de réglage de la température de la sonde apparaît sur l'écran au-dessus de l'icône. Pour régler la température de la sonde, sélectionnez Réglage de la température de la sonde d'aliment, utilisez les flèches pour sélectionner la température voulue, puis touchez à Enter (entrée).

⚠ MISE EN GARDE

La sonde et la prise de la sonde seront très chaudes. Manipulez-les avec soin.



Prise de la sonde









Shabbath

Cet appareil est certifié par Star-K pour répondre à des règlements religieux rigoureux relativement à des directives précises se trouvant sur www.star-k.org.

Réglage des commandes :

- 1** Le four étant éteint, appuyez sur l'une ou l'autre des touches pour activer le panneau de commande, puis appuyez sur Settings (paramètres).
- 2** Utilisez les flèches pour sélectionner Réglage du volume, puis touchez à Enter (entrée).
- 3** Utilisez les flèches pour sélectionner Sourdine, puis touchez à Enter (entrée).
- 4** Utilisez les flèches pour sélectionner Réglage des fonctions d'aide, puis touchez à Enter (entrée).
- 5** Utilisez les flèches pour sélectionner Éteindre l'illumination automatique, puis touchez à Enter (entrée).
- 6** Touchez à Off (arrêt).
- 7** Appuyez sur Quick Start (démarrage rapide) et utilisez les flèches pour sélectionner Convection, puis touchez à Enter (entrée). Sélectionnez la température désirée à 210 °F (99 °C) ou moins, puis touchez à Enter (entrée).

Modes de cuisson

MODE	INDICATEUR	ÉTENDUE	SONDE	UTILISATIONS
Cuisson		90–570 °F (30–300 °C)	•	L'espace de cuisson est chauffé par les éléments supérieurs et inférieurs. Mode de fonctionnement standard pour la cuisine et la boulangerie sur une seule grille.
Convection		90–530 °F (30–275 °C)	•	L'espace de cuisson est chauffé par un élément dans la paroi arrière et circulé partout dans la cavité avec le ventilateur à convection. À utiliser pour cuisiner et cuire des aliments sur plusieurs grilles.
Cuisson par convection		90–480 °F (30–250 °C)	•	L'espace de cuisson est chauffé par l'élément inférieur et circulé partout dans la cavité avec le ventilateur à convection.
Grillage		1–5		L'espace de cuisson est chauffé par l'élément de grillage.
Grillage par convection		90–480 °F (30–250 °C)		L'espace de cuisson est chauffé par l'élément de grillage et circulé partout dans la cavité avec le ventilateur à convection.
Cuisson humide		90–480 °F (30–250 °C)	•	L'espace de cuisson est chauffé par les éléments supérieurs et inférieurs. L'humidité générée lors de la cuisson reste dans la cavité.
Humide à convection		90–480 °F (30–250 °C)	•	L'espace de cuisson est chauffé par un élément dans la paroi arrière et circulé partout dans la cavité avec le ventilateur à convection. L'humidité générée lors de la cuisson reste dans la cavité.
Cuisson lente		1–6	•	L'espace de cuisson est chauffé par l'élément inférieur seulement.

Modes de cuisson

GOURMET (GASTRONOMIQUE)

Utilisez le mode Gourmet (gastronomique) pour préparer tous les aliments énumérés ci-dessous, frais ou réfrigérés. Sélectionnez l'aliment et la cuisson voulue, et le capteur ajuste la durée, la température et l'humidité, de sorte qu'aucune directive de cuisson ne soit requise.

ALIMENT

Viande

Volaille

Pommes de terre

Pizza fraîche

Repas dans un plat

Produits de pâtisserie

Réglage du mode Gourmet (gastronomique) :

- 1 Appuyez sur Gourmet (gastronomique).
- 2 Utilisez les flèches pour sélectionner l'aliment voulu.
- 3 Touchez à Enter (entrée).
- 4 Suivez les directives sur l'écran.
- 5 Touchez à Enter (entrée).

L'unité se mettra marche 20 secondes après le dernier appui d'une touche. Pour commencer le mode immédiatement, utilisez les flèches pour sélectionner Commencer le fonctionnement, puis touchez à Enter (entrée).

MORE (AUTRES)

Touchez à More (autres) pour accéder à des éléments gastronomiques et des modes de cuisson supplémentaires. Utilisez les flèches pour choisir l'option que vous voulez et touchez à Enter (entrée).

MODE

UTILISATIONS

Recettes

Permet à l'utilisateur d'enregistrer des modes et des températures de cuisson individuels ou des séquences de cuisson utilisées pour préparer des aliments personnalisés. Jusqu'à 24 recettes d'utilisateur différentes peuvent être enregistrées dans le système et facilement accédées.

Autre gastronomique

Utilisez pour préparer des aliments précisés; frais, réfrigérés ou surgelés. Sélectionnez l'aliment et la cuisson voulue, et le capteur ajuste la durée, la température et l'humidité, de sorte qu'aucune directive de cuisson ne soit requise. La température et l'étendue prédéfinies dépendent de l'aliment et du niveau de cuisson voulue.

Rôtissage lent

Utilisez pour conserver la tendresse des viandes en les faisant rôtir lentement. Insérez la sonde de température dans les viandes préparées, sélectionnez un réglage de rôtisserie lente et une durée de cuisson.

Garder au chaud

Garder au chaud utilise la chaleur par convection pour garder les aliments chauds.

Modes de cuisson

FAVORITES (PRÉFÉRÉS)

Modes de cuisson ou aliments utilisés souvent qui peuvent être enregistrés dans le système pour en faciliter l'accès grâce à la fonction Favorites (préférés). Jusqu'à 24 préférés peuvent être enregistrés à la fois.

Créer un préféré :

- 1 Sélectionnez l'aliment voulu et la cuisson ou le mode de cuisson et la température.
- 2 Avant que le mode de cuisson se mette en marche, touchez à Favorites (préférés).
- 3 Sélectionnez un fichier libre.
- 4 Touchez à Enter (entrée).
- 5 En utilisant les flèches, saisissez un nom pour le fichier.
- 6 Touchez à Enter (entrée).

Sélectionner un préféré :

- 1 Avec le four en marche, appuyez sur Favorites (préférés).
- 2 Utilisez les flèches pour sélectionner le fichier que vous voulez utiliser.
- 3 Touchez à Enter (entrée).

Auto-nettoyage

Durant le nettoyage automatique, le four est chauffé jusqu'à une température extrêmement élevée pour brûler les restes d'aliments. Retirez la grille de four, la plaque de four et les guides de grille. Ils changeront de couleur s'ils sont laissés dans le four pendant l'auto-nettoyage.

La durée du cycle auto-nettoyage peut être ajustée selon le niveau de résidu de cuisson. Pour la saleté légère, la durée du cycle de nettoyage est de 1,5 heure et de 2 heures pour la saleté plus importante. Le cycle complet peut prendre jusqu'à 5 heures, y compris le refroidissement.

Réglage de l'auto-nettoyage :

- 1 Touchez à Settings (paramètres).
- 2 Sélectionnez Auto-nettoyage et touchez à Enter (entrée).
- 3 Utilisez les flèches pour sélectionner le niveau de nettoyage voulu, puis touchez à Enter (entrée). La porte se verrouille automatiquement lorsque le cycle commence.

L'unité se mettra marche 20 secondes après le dernier appui d'une touche. Pour commencer le mode immédiatement, utilisez les flèches pour sélectionner Commencer le fonctionnement, puis touchez à Enter (entrée).

Réglage de la mise en marche différée de l'auto-nettoyage :

- 1 Touchez à Settings (paramètres).
- 2 Sélectionnez Auto-nettoyage et touchez à Enter (entrée).
- 3 Utilisez les flèches pour sélectionner le niveau de nettoyage voulu, puis touchez à Enter (entrée).
- 4 Sélectionnez Réglage de la fin et touchez à Enter (entrée).
- 5 Utilisez les flèches pour sélectionner l'heure d'arrêt voulue, puis touchez à Enter (entrée).

Pour annuler le mode auto-nettoyage à tout moment, appuyez sur Off (arrêt). La porte du four se verrouille et demeure verrouillée jusqu'à ce que le cycle auto-nettoyage soit terminé et la température du four se trouve en dessous de 570 °F (300 °C).

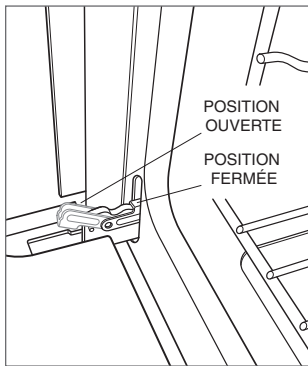
Conseils d'entretien

RETRAIT DE LA PORTE DU FOUR

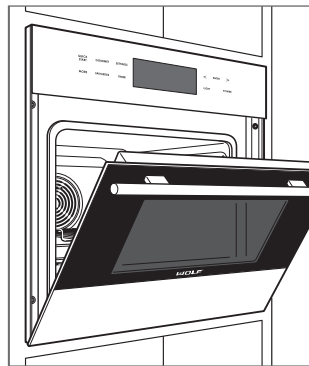
La porte du four peut être enlevée pour un meilleur nettoyage.

Pour retirer, ouvrez la porte du four complètement. Faites pivoter les deux loquets de charnière vers l'avant en position ouverte. Fermez la porte jusqu'à une ouverture d'environ 30°, puis soulevez-la pour la retirer. Reportez-vous aux illustrations ci-dessous.

Pour la remettre en place, insérez les charnières de la porte dans les ouvertures du cadre. Ouvrez la porte du four complètement et faites tourner les deux loquets de charnière vers l'arrière en position fermée.



Loquet de charnière de la porte du four

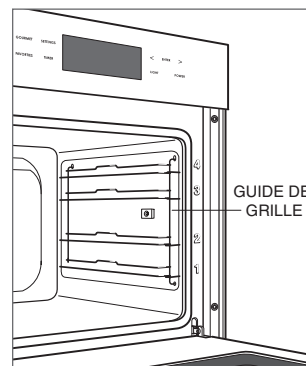


Porte ouverte de 30°

RETRAIT DES GUIDES DE GRILLE

Pour retirer les guides de grille, poussez la partie supérieure du guide de grille vers l'arrière de la cavité du four. Basculez la partie supérieure du guide vers l'intérieur du four et soulevez les poteaux inférieurs du guide hors des trous de positionnement.

Pour réinstaller, insérez les poteaux inférieurs dans les trous de positionnement et basculez le guide de grille vers le haut en position. Tirez doucement le guide vers l'avant jusqu'à ce qu'il s'enclenche dans les trous supérieurs. Reportez-vous à l'illustration ci-dessous.



Retrait du guide de grille

Conseils d'entretien

NETTOYAGE

Acier inoxydable	Utilisez un nettoyant non abrasif pour l'acier inoxydable et appliquez-le avec un chiffon doux non pelucheux. Pour faire ressortir le lustre naturel, essuyez légèrement la surface avec un chiffon en micro-fibres humecté d'eau suivi d'un chamois à polir sec. Suivez toujours le grain de l'acier inoxydable.
Devant de la porte	Pulvérisez du nettoyant à vitre sur un chiffon propre.
Panneau de commande	Utilisez un dégraissant pulvérisé pour éliminer les empreintes de doigts et les taches de nourriture. Pulvérisez sur un chiffon avant d'essuyer le panneau de commande. Ne pulvérisez pas les produits à nettoyer directement sur le panneau de commande.
Intérieur	Pour un nettoyage léger, retirez tous les débris de cuisson tandis que le four est encore tiède au moyen d'un chiffon doux humecté d'eau et d'un détergent doux. Essuyez avec un chiffon doux.
Grille de four, guides de grille, plaque de four	La grille de four, les guides de grille et la plaque de four en acier inoxydable peuvent être lavés dans le lave-vaisselle.
Sonde de température	Ne lavez pas la sonde de température dans un lave-vaisselle.

Dépannage

FONCTIONNEMENT

Le four ne fonctionne pas.

- Assurez-vous qu'il y a du courant.
- Vérifiez l'alimentation électrique vers le four et que le disjoncteur de la résidence est en marche.

Problème de température du four.

- Communiquez avec le service à la clientèle de Wolf au 800-222-7820 pour obtenir des recommandations.

L'éclairage ne fonctionne pas.

- L'ampoule est défectueuse, appelez un centre de service Wolf certifié par l'usine.

Le four fait des bruits pendant le fonctionnement.

- Le four peut émettre des sons de commutation pendant son fonctionnement. Ces bruits sont normaux.

Les plaques de four sont difficiles à retirer.

- Certaines combinaisons de chaleur, d'humidité et de placement des aliments peuvent provoquer un gauchissement des plaques de four, mais elles reprennent leur forme d'origine lorsqu'elles refroidissent.

Dépannage

SERVICE

- Préservez la qualité intégrée dans votre produit en communiquant avec un service Wolf certifié par l'usine. Pour obtenir le nom du centre de service Wolf certifié par l'usine le plus près, consultez la section Support produit de notre site Web, wolfappliance.com ou appelez le service à la clientèle de Wolf au 800-222-7820.
- Avant d'appeler pour obtenir du service, ayez en main les numéros de modèle et de série de votre produit. Les deux numéros sont indiqués sur la plaque signalétique du produit. Reportez-vous à la page 6 pour connaître l'emplacement de la plaque signalétique.
- Pour les besoins de la garantie, vous devrez aussi avoir la date d'installation et le nom de votre dépositaire Wolf autorisé. Ces renseignements doivent être notés à la page 3 de ce guide.

Garantie limitée résidentielle Wolf Appliance

POUR UTILISATION RÉSIDENIELLE

GARANTIE COMPLÈTE DE DEUX ANS*

Pendant deux ans à compter de la date d'installation originale, cette garantie de produit Wolf Appliance couvre toutes les pièces et la main d'œuvre pour réparer ou remplacer, selon un usage résidentiel normal, toute partie du produit qui s'avérerait défectueuse en vertu des matériaux ou de la fabrication. Tout service fourni par Wolf Appliance en vertu de la garantie ci-dessus doit être effectué par un centre de service Wolf certifié par l'usine, à moins d'indication contraire de la part de Wolf Appliance, Inc. Le service sera fourni pendant les heures normales d'affaires.

GARANTIE LIMITÉE DE CINQ ANS

Pendant cinq ans à compter de la date originale d'installation, Wolf Appliance réparera ou remplacera les pièces suivantes qui s'avéreront défectueuses en vertu des matériaux ou de la fabrication : les brûleurs au gaz (sauf l'apparence), les éléments de chauffage électrique, les moteurs de soufflerie (hottes de ventilation), les circuits de contrôle électronique, les tubes magnétrons et les génératrices à induction. Si le propriétaire utilise le service Wolf certifié en usine, le fournisseur de service réparera ou remplacera ces pièces et le propriétaire paiera pour tous les autres frais, y compris la main d'œuvre. Si le propriétaire utilise un service non certifié, il doit communiquer avec Wolf Appliance, Inc. (avec les renseignements ci-dessous) pour obtenir des pièces réparées ou de rechange. Wolf Appliance ne remboursera pas le propriétaire pour les pièces achetées d'un service non certifié ou d'autres sources.

CONDITIONS S'APPLIQUANT À CHAQUE GARANTIE

La garantie s'applique uniquement aux produits installés pour un usage résidentiel normal. La garantie s'applique seulement aux produits installés dans l'un des cinquante états des États-Unis, dans le District of Columbia ou les dix provinces du Canada. Cette garantie ne couvre pas les pièces ou la main d'œuvre pour corriger tout défaut causé par de la négligence, un accident ou une utilisation, un entretien, une installation, un service ou une réparation inappropriés.

LES REMÈDES DÉCRITS CI-DESSUS POUR CHAQUE GARANTIE SONT LES SEULS QUI SONT OFFERTS PAR WOLF APPLIANCE, INC. EN VERTU DE CETTE GARANTIE OU EN VERTU DE TOUTE GARANTIE DÉCOULANT DE L'OPÉRATION DE LA LOI. WOLF APPLIANCE, INC. NE SERA PAS RESPONSABLE DES DOMMAGES INDIRECTS OU CONSÉCUTIFS DÉCOULANT DE LA VIOLATION DE CETTE GARANTIE OU DE TOUTE GARANTIE, EXPRESSE, IMPLICITE OU LÉGALE.

Certaines provinces ne permettent pas l'exclusion ou la restriction des dommages indirects ou consécutifs, par conséquent, la limite ou l'exclusion ci-dessus peut ne pas s'appliquer à votre cas. Cette garantie vous confère des droits légaux précis et vous pouvez aussi avoir d'autres droits légaux qui peuvent varier d'une province à l'autre.

Pour obtenir des pièces et/ou du service et le nom du centre de service Wolf certifié par l'usine le plus près de chez vous, communiquez avec Wolf Appliance, Inc., P.O. Box 44848, Madison, WI 53744 É.-U.; Consultez la section Support produit de notre site Web, wolfappliance.com, envoyez-nous un courriel à customerservice@subzero.com ou composez le 800-222-7820.

*L'acier inoxydable (les portes, les panneaux, les poignées, les cadres et les surfaces intérieures) est couvert par une garantie limitée de 60 jours sur les pièces et la main d'œuvre pour toute défectuosité cosmétique.

*Les filtres de rechange pour les trousse de recirculation de hotte ne sont pas couverts par la garantie du produit.





WOLF APPLIANCE, INC. P.O. BOX 44848 MADISON, WI 53744 WOLFAPPLIANCE.COM 800.222.7820

9023314 REV-B

4/2021

