

SO2450TE/S/T



## FEATURES

The elegant, modern aesthetics pair perfectly with 24" Wolf cooking products as well as a full suite of similarly styled Sub-Zero and Cove appliances

An 8" full-color LCD touchscreen adds refined styling and ease of use

The interface is customizable and intuitive, with on-screen messaging to guide you through the various modes and features

Save up to 50 personalized favorite recipe presets, and customize modes to easily recreate your go-to meals

Cooking modes include Convection, Convection Humid, Convection Bake, Bake, Bake Humid, Slow Cook, Broil, Convection Broil, Slow Roast, Warm, Gourmet, and Gourmet+

Includes Clean Mode with Light, Medium, and Heavy soil settings for varied levels of cleaning needs

Oven features a 1750-watt recessed broil element with multiple settings

The 24" oven offers 1.8 cubic-foot interior

24" oven offers an 1889-watt single convection system

Interior includes rack guides featuring three full-extension rack positions and one standard rack position; the oven comes with two standard racks and broiler pan with rack

The door opens and closes quietly for an elevated experience

The temperature probe alerts you when your dish has reached the desired temperature

Built with premium-grade materials, Wolf products are designed and tested to last a minimum of 20 years

## ACCESSORIES

Broiler Rack

Enameled Broiler Pan

Pro Handle

Solid Pan - 12 3/4" x 1 1/2" x 7"

Solid Pan - 17 3/4" x 1 1/4" x 15"

Standard Oven Rack

Temperature Probe

Accessories available through an authorized dealer.

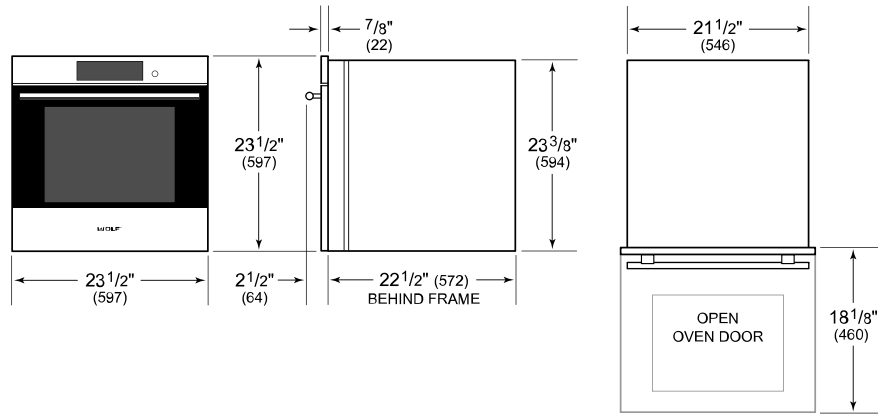
For local dealer information, visit [subzero-wolf.com/locator](https://subzero-wolf.com/locator).



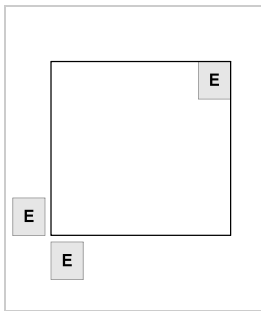
**PRODUCT SPECIFICATIONS**

Model	SO2450TE/S/T
Dimensions	23 1/2"W x 23 1/2"H x 22 1/2"D
Oven 1 Interior Dimensions	18"W x 15 1/2"H x 15 1/8"D
Overall Capacity	2.4 cu. ft.
Usable Capacity	1.8 cu. ft.
Door Clearance	18 1/8"
Weight	119 lbs
Electrical Supply	grounded, 240/208 VAC, 60 Hz
Electrical Service	20 amp dedicated circuit
Conduit Length	4 Feet

**DIMENSIONS**

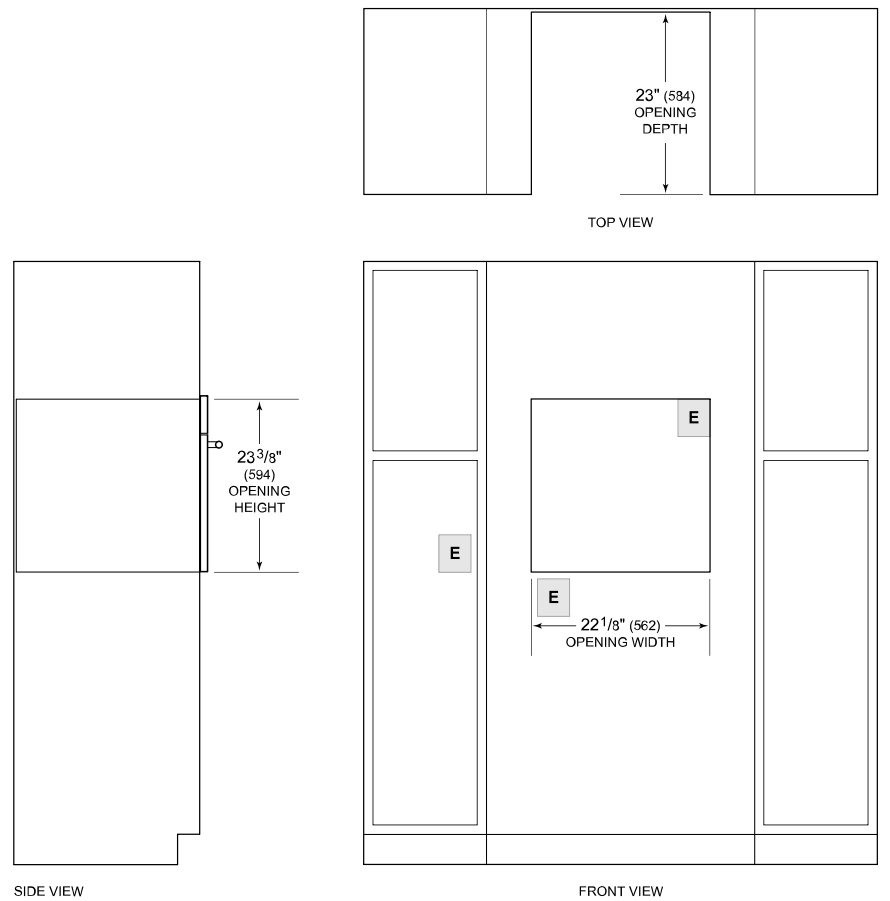


**ELECTRICAL**



**NOTE:** Dimensions in parenthesis are in millimeters unless otherwise specified

**STANDARD INSTALLATION**



**NOTE:** Location of electrical supply within opening may require additional cabinet depth.