

SLER24410SS



24" Freestanding Electric Range



GENERAL PROPERTIES

Type	Freestanding
Size	24"
Finish	Stainless Steel
Oven Control Type	Knob Control
Cooktop Control Type	Knob Control
Control Key Lock	Yes
Drawer Type	Storage
Exterior Side Walls	Black
Fuel Type	Electric

OVEN FEATURES & FUNCTIONS

Capacity	2.51 cu. ft.
Convection Type	True European Convection
Functions	8

PREMIUM TECHNOLOGY



LARGE OVEN CAPACITY

Beko's oven interiors are among the most spacious in their class. Beko 24 inch ranges offer a generous 2.51 cu. ft. interior volume and you'll have more than enough room to cook your family meals.



TRUE EUROPEAN CONVECTION

For faster baking and broiling, True European Convection utilizes an innovative heated fan system to distribute heat evenly throughout the oven.



INTERIOR HALOGEN LIGHTING

Bright lighting makes it easy to see what's cooking in Beko's bright oven interior.

SLER24410SS



24" Freestanding Electric Range

OVEN FEATURES & FUNCTIONS CONTINUED

Cooking Functions	Top and Bottom Heating, Bottom Heating, Fan Supported Bottom/Top Heating, Fan Only, Fan Heating, 3D Cooking, Broil, Convection Broil
Manual Oven Cleaning	Yes
Door Cooling System	3 Pane Heat-Resistant Glass (Fixed)
Interior Illumination	1 x Halogen Light
Oven Racks	2
Oven Rack Positions	5
Programmable Timer	Yes
Preheat Indicator (Audible Signal)	-

COOKTOP – FEATURES & PERFORMANCE

Burner Configuration	4 Elements
Zone Configuration	4 Vitroceramic
Front Left	Dual 5" / 8" - 750 W / 2,200
Rear Left	6" - 1,500 W
Center	-
Front Right	6" - 1,200 W
Rear Right	7" - 1,800 W
Residual Heat Indicators	Yes

TECHNICAL INFORMATION

Volts / Frequency	240/208 V, 60 Hz
Min. Amps (A)	40 A
Power Cord	Required, Purchase Separately

DIMENSIONS & WEIGHT

Product (H x W x D) (in)	35 1/4 x 23 1/2 x 24 3/4
Depth (Incl. Handle) (in)	26 5/8
Depth (w/o Handle) (in)	24 3/4
Adjustable Leveling Feet	Yes
Required Cutout Size (H x W x D) (in)	36 x 24 x 25
Carton (H x W x D) (in)	40 3/8 x 26 x 27 9/16
Product Weight (lbs)	167.33
Shipping Weight (lbs)	176.37

ACCESSORIES (INCLUDED)

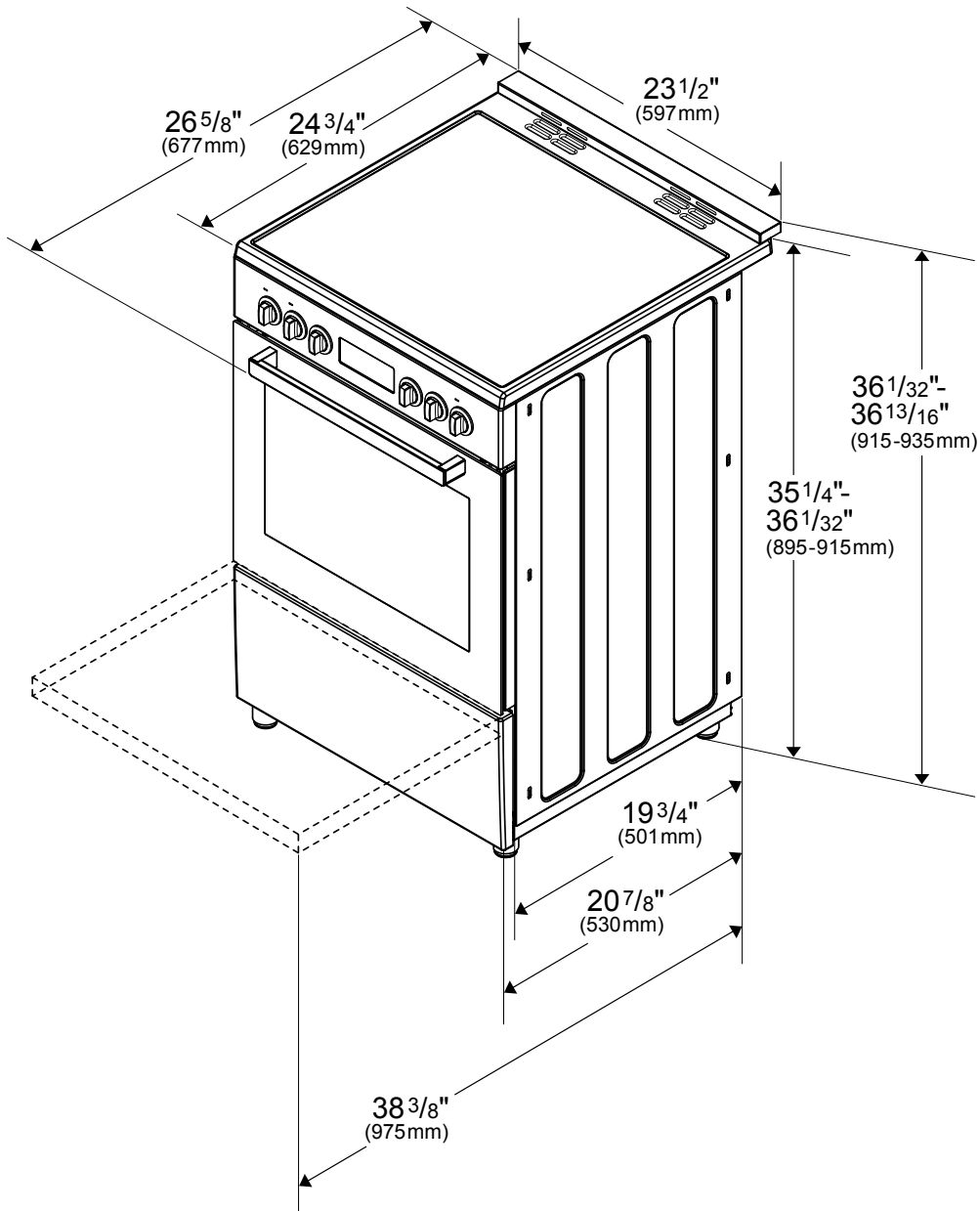
LP Conversion Kit	Yes
Island Trim	Yes
Anti-Tip Bracket	Yes

WARRANTY

Entire Appliance	2-Year Full Warranty
------------------	----------------------

SLER24410SS

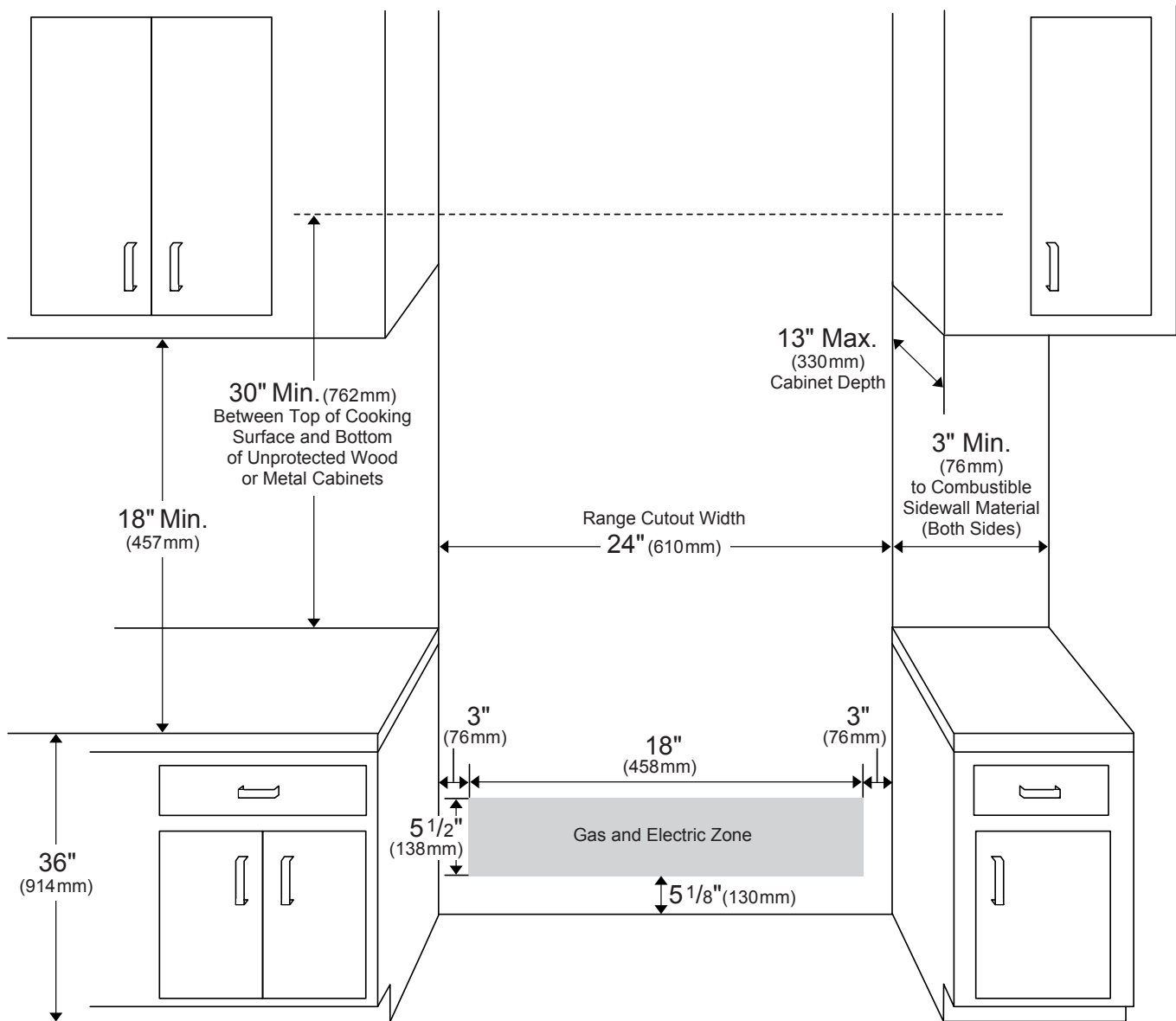
24" Freestanding Electric Range



SLER24410SS



24" Freestanding Electric Range



NOTE TO THE INSTALLER: All height, width, and depth dimensions are shown in inches (as well as metric). Beko U.S., Inc. reserves the absolute and unrestricted right to change product materials and specifications, at any time, without notice. Please visit our website, www.BekoAppliances.com, or call 888.352.2356 to verify the latest specifications with final dimensional data and other details prior to installation and making a cutout. Applicable product limited warranty information may be found in accompanying product materials, or you may contact your account manager for further details. Proper installation is the responsibility of the installer. Product failure due to improper installation is not covered under the Limited Warranty.