

REFRIGERATOR

MODEL : SJG2351FS



Refrigerator: Model SJG2351FS

CUSTOMER ASSISTANCE	2	CONTROL AND DISPLAY PANEL	14
CONSUMER LIMITED WARRANTY	3	OPERATING REFRIGERATOR.....	15
IMPORTANT SAFETY INSTRUCTIONS	4	CARE AND CLEANING	16
INSTALLATION INSTRUCTIONS.....	7	TROUBLESHOOTING	17
APPEARANCE OVERVIEW	12		

REGISTER YOUR PRODUCT

Registering your new product is easy and offers benefits that help you get the most out of your Sharp product including:

- ✓ **Convenience:** If you ever need warranty support, your product information is already on file.
- ✓ **Communication:** Stay up to date with important notifications and special offers from SHARP.
- ✓ **Support:** Quickly access support content including Owner's Manuals, FAQ's, How-to Videos, and much more.

3 EASY WAYS TO REGISTER TODAY!

 <p>SCAN Use the camera or QR code scanning application on your mobile device</p>	 <p>ONLINE Visit our sites to learn more about your product at sharpusa.com and sbl.sharpusa.com</p>	 <p>CALL US US 800-BE-SHARP 800-237-4277 Mon-Fri: 7am-7pm CST Sat-Sun: 9am-7pm CST</p>
Scan this QR Code on your mobile device	Visit http://www.sharpusa.com/register	Contact a Sharp Advisor on the phone

PRODUCT SUPPORT



If you have questions about the setup or operation of your product, please refer to the corresponding section within this manual.

Additionally, visit www.sharpusa.com/support to access exclusive content about your product including:

- FAQ's and How-To Videos
- Find or Request Service
- Purchase an Extended Warranty
- Downloads including the Installation Guide, Spec Sheet, and Owner's Manual

CONTACT US

If at any time you have questions or comments concerning your SHARP product, please contact the SHARP Customer Assistance Center. We are available to assist you through multiple contact methods for your convenience:

 <p>EMAIL Available 24/7 US: sharpusa.com</p>	 <p>CHAT ONLINE Mon-Fri: 7am-7pm CST Sat-Sun: 9am-7pm CST</p>	 <p>CALL US US 800-BE-SHARP 800-237-4277 Mon-Fri: 7am-7pm CST Sat-Sun: 9am-7pm CST</p>
See the Contact Us section on our sites	U.S. www.sharpusa.com/support	Contact a Sharp Advisor on the phone



CONSUMER LIMITED WARRANTY

SHARP ELECTRONICS CORPORATION (“Sharp”) warrants to the first consumer purchaser that this Sharp brand product (the “Product”), when shipped in its original container, will be free from defective workmanship and materials, and agrees that it will, at its option, either repair the defect or replace the defective Product or part thereof with a new or remanufactured equivalent at no charge to the purchaser for parts or labor for the period(s) set forth below.

This warranty does not apply to any cosmetic or appearance items of the Product nor to the additional excluded item(s) set forth below nor to any Product the exterior of which has been damaged or defaced, which has been subjected to misuse, abnormal service or handling, or which has been altered or modified in design or construction. In order to enforce the rights under this limited warranty, the purchaser should follow the steps set forth below and provide proof of purchase to the servicer.

The limited warranty described herein is in addition to whatever implied warranties may be granted to purchasers by law. ALL IMPLIED WARRANTIES INCLUDING THE WARRANTIES OF MERCHANTABILITY AND FITNESS FOR USE ARE LIMITED TO THE PERIOD(S) FROM THE DATE OF PURCHASE SET FORTH BELOW. Some states do not allow limitations on how long an implied warranty lasts, so the above limitation may not apply to you.

Neither the sales personnel of the seller nor any other person is authorized to make any warranties other than those described herein, or to extend the duration of any warranties beyond the time period described above on behalf of Sharp. The warranties described herein shall be the sole and exclusive warranties granted by Sharp and shall be the sole and exclusive remedy available to the purchaser. Correction of defects, in the manner and for the period of time described herein, shall constitute complete fulfillment of all liabilities and responsibilities of Sharp to the purchaser with respect to the Product, and shall constitute full satisfaction of all claims, whether based on contract, negligence, strict liability or otherwise. In no event shall Sharp be liable, or in any way responsible, for any damages or defects in the Product which were caused by repairs or attempted repairs performed by anyone other than a Sharp authorized servicer. Nor shall Sharp be liable or in any way responsible for any incidental or consequential economic or property damage. Some states do not allow the exclusion of incidental or consequential damages, so the above exclusion may not apply to you.

THIS LIMITED WARRANTY IS VALID ONLY IN THE FIFTY (50) UNITED STATES, THE DISTRICT OF COLUMBIA AND PUERTO RICO.

Product model number & description:	SJG2351FS, Refrigerator/Freezer
Warranty period for this product:	One (1) year parts and labor, including in-home service. Five (5) years parts and labor, for sealed system (condenser, dryer, connecting tube and evaporator) and compressor, including in-home service.
Additional item(s) excluded from warranty coverage:	Commercial, non-residential, or use inconsistent with published installation and product operational instructions. Light bulbs. Any food or medicine loss due to refrigerator or freezer product failures. In home instruction on how to use your product.
What to do to obtain service:	In-home service is provided for one (1) year from date of purchase. Service can be arranged by calling 1-800-BE-SHARP. Be sure to have Proof of Purchase, Model, and Serial Number available.

TO OBTAIN SUPPLY, ACCESSORY OR PRODUCT INFORMATION, CALL 1-800-BE-SHARP or visit www.sharpsusa.com.
SAVE THE PROOF OF PURCHASE AS IT IS NEEDED SHOULD YOUR REFRIGERATOR/FREEZER EVER REQUIRE WARRANTY SERVICE.

IMPORTANT SAFETY INSTRUCTIONS

MEANING OF SAFETY WARNING SYMBOLS

PROHIBIT

This is a prohibition symbol. Any incompliance with instructions marked with this symbol may result in damage to the product or endanger the personal safety of the user.

WARNING

This is a warning symbol. It is required to operate in strict observance of instructions marked with this symbol; or otherwise damage to the product or personal injury may be caused.

CAUTION

This is a cautioning symbol. Instructions marked with this symbol require special caution. Insufficient caution may result in slight or moderate injury, or damage to the product.

State of California Proposition 65 Warnings:

WARNING: This product contains one or more chemicals known to the State of California to cause cancer.

WARNING: This product contains one or more chemicals known to the State of California to cause birth defects or other reproductive harm.

SAFETY WARNINGS



WARNING

RISK OF FIRE/FLAMMABLE MATERIALS

- This appliance is intended to be used in household and similar applications such as staff kitchen areas in shops, offices and other working environments; farm houses and by clients in hotels, motels and other residential type environments; bed and breakfast type environments; catering and similar non-retail applications.
- This appliance is not intended for use by persons (including children) with reduced physical, sensory or capabilities, or lack of experience and knowledge, unless they have been given supervision or instruction concerning use of the appliance by a person responsible for their safety. Children should be supervised to ensure that they do not play with the appliance.
- If the supply cord is damaged, it must be replaced by the manufacturer, its service agent or similarly qualified persons in order to avoid a hazard.
- Do not store explosive substances such as aerosol cans with flammable propellant in this appliance.
- The appliance has to be unplugged after use and before carrying out user maintenance on the appliance.
- Do not use extension cords or ungrounded (two prong) adapters.
- The refrigerator must be disconnected from the source of electrical supply before attempting the installation of accessory.

WARNING

- Keep ventilation openings, in the appliance enclosure or in the built-in structure, clear of obstruction.
- Do not use mechanical devices or other means to accelerate the defrosting process, other than those recommended by the manufacturer.
- Do not damage the refrigerant circuit.
- Do not use electrical appliances inside the food storage compartments of the appliance, unless they are of the type recommended by the manufacturer.
- Please recycle the refrigerator according to local regulators for it use flammable blowing gas and refrigerant.
- When positioning the appliance, ensure the supply cord is not trapped or damaged.
- Do not locate multiple portable socket-outlets or portable power supplies at the rear of the appliance.

DANGER

Risk of child entrapment. Before you throw away your refrigerator or freezer:

- Take off the doors.
- Leave the shelves in place so that children may not easily climb inside.
- To prevent a child from being entrapped, keep out of reach of children and not in the vicinity of freezer (or refrigerator).

Refrigerant and cyclopentane foaming material used for the appliance are flammable. Therefore, when the appliance is scrapped, it shall be kept away from any fire source and be recovered by a special recovering company with corresponding qualification other than be disposed by combustion, so as to prevent damage to the environment or any other harm.

Children should be supervised to ensure that they do not play with the appliance.

This appliance can be used by children aged from 8 years and above and persons with reduce physical sensory or mental capabilities or lack of experience and knowledge if they have been given supervision or instruction concerning use of the appliance in a safe way and understand the hazards involved. Children shall not play with the appliance. Cleaning and user maintenance shall not be made by children without supervision. Children aged from 3 to 8 years are not allowed to load and unload refrigerating appliances.

To avoid contamination of food, please respect the following instructions:

- Opening the door for long periods can cause a significant increase of the temperature in the compartments of the appliance.
- Clean regularly surfaces that can come in contact with food and accessible drainage systems.
- Clean water tanks if they have not been used for 48 hr; flush the water system connected to a water supply if water has not been drawn for 5 days.

IMPORTANT SAFETY INSTRUCTIONS

- Store raw meat and fish in suitable containers in the refrigerator, so that it is not in contact with or drip onto other food.
- If the refrigerating appliance is left empty for long periods, switch off, defrost, clean, dry and leave the door open to prevent mold developing within the appliance.

⚠ WARNING

- To avoid a hazard due to instability of the appliance, it must be fixed in accordance with the instructions.
- Connect to potable water supply only. (Suitable for ice making machine.)

ELECTRICITY RELATED WARNINGS

- Do not pull the power cord when pulling the power plug of the refrigerator. Please firmly grasp the plug and pull it out from the socket directly.
- To ensure safe use, do not damage the power cord or use the power cord when it is damaged or worn.

⚠ WARNING

- Please use a dedicated power socket and the power socket shall not be shared with other electrical appliances. The power plug should be firmly contacted with the socket or else fires might be caused.
- Please ensure that the grounding electrode of the power socket is equipped with a reliable grounding line.
- In case of leakage of gas and other flammable gases, please turn off the valve of the leaking gas and then open the doors and windows. Do not unplug the refrigerator and other electrical appliances considering that spark may cause a fire.

🚫 PROHIBIT

- Do not use electrical appliances on the top of the appliance, unless they are of the type recommended by the manufacturer.

WARNINGS FOR USING

🚫 PROHIBIT

- Do not arbitrarily disassemble or reconstruct the refrigerator, nor damage the refrigerant circuit; maintenance of the appliance must be conducted by a specialist
- Damaged power cord must be replaced by the manufacturer, its maintenance department or related professionals in order to avoid danger.
- Do not allow any child to get into or climb the refrigerator; otherwise suffocation or falling injury of the child may be caused.

⚠ WARNING

- The gaps between refrigerator doors and between doors and refrigerator body are small, be noted not to put your hand in these areas to prevent from squeezing the finger. Please be gentle when close the refrigerator door to avoid falling articles.
- Do not pick foods or containers with wet hands in the freezing chamber when the refrigerator is running, especially metal containers in order to avoid frostbite.

⚠ DANGER

- Do not place heavy objects on the top of the refrigerator considering that objects may fall when close or open the door, and accidental injuries might be caused.
- Please pull out the plug in case of power failure or cleaning. Do not connect the refrigerator to power supply within five minutes to prevent damages to the compressor due to successive starts.

WARNINGS FOR PLACEMENT OF ITEMS

⚠ WARNING

- Do not put flammable, explosive, volatile and highly corrosive items in the refrigerator to prevent damages to the product or fire accidents.
- Do not place flammable items near the refrigerator to avoid fires.
- The refrigerator is intended for household use, such as storage of foods; it shall not be used for other purposes, such as storage of blood, drugs or biological products, etc.
- Do not store beer, beverage or other fluid contained in bottles or enclosed containers in the freezing chamber of the refrigerator; or otherwise the bottles or enclosed containers may crack due to freezing to cause damages.

IMPORTANT SAFETY INSTRUCTIONS

WARNINGS FOR ENERGY

1. Refrigerating appliances might not operate consistently (possibility of defrosting of contents or temperature becoming too warm in the frozen food compartment) when sited for an extended period of time below the cold end of the range of temperatures for which the refrigerating appliance is designed.
2. The fact that effervescent drinks should not be stored in food freezer compartments or cabinets or in low-temperature compartments or cabinets, and that some products such as water ices should not be consumed too cold;
3. The need to not exceed the storage time(s) recommended by the food manufacturers for any kind of food and particularly for commercially quick-frozen food in food-freezer and frozen-food storage compartments or cabinets;
4. The precautions necessary to prevent an undue rise in the temperature of the frozen food while defrosting the refrigerating appliance, such as wrapping the frozen food in several layers of newspaper.
5. The fact that a rise in temperature of the frozen food during manual defrosting, maintenance or cleaning could shorten the storage life.
6. The necessity that, for doors or lids fitted with locks and keys, the keys be kept out of the reach of children and not in the vicinity of the refrigerating appliance, in order to prevent children from being locked inside.

WARNINGS FOR DISPOSAL

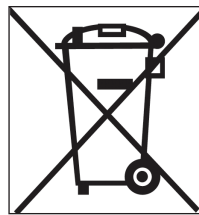
⊘ PROHIBIT

Refrigerant and cyclopentane foaming material used for the refrigerator are flammable. Therefore, when the refrigerator is recycled, it shall be kept away from any fire source and be recovered by a special recovering company with corresponding qualification other than be disposed by combustion, so as to prevent damage to the environment or any other harm.

ⓘ WARNING

When the refrigerator is recycled, disassemble the doors, and remove gasket of door and shelves; put the doors and shelves in a proper place, so as to prevent trapping of any child.

Correct Disposal of this product



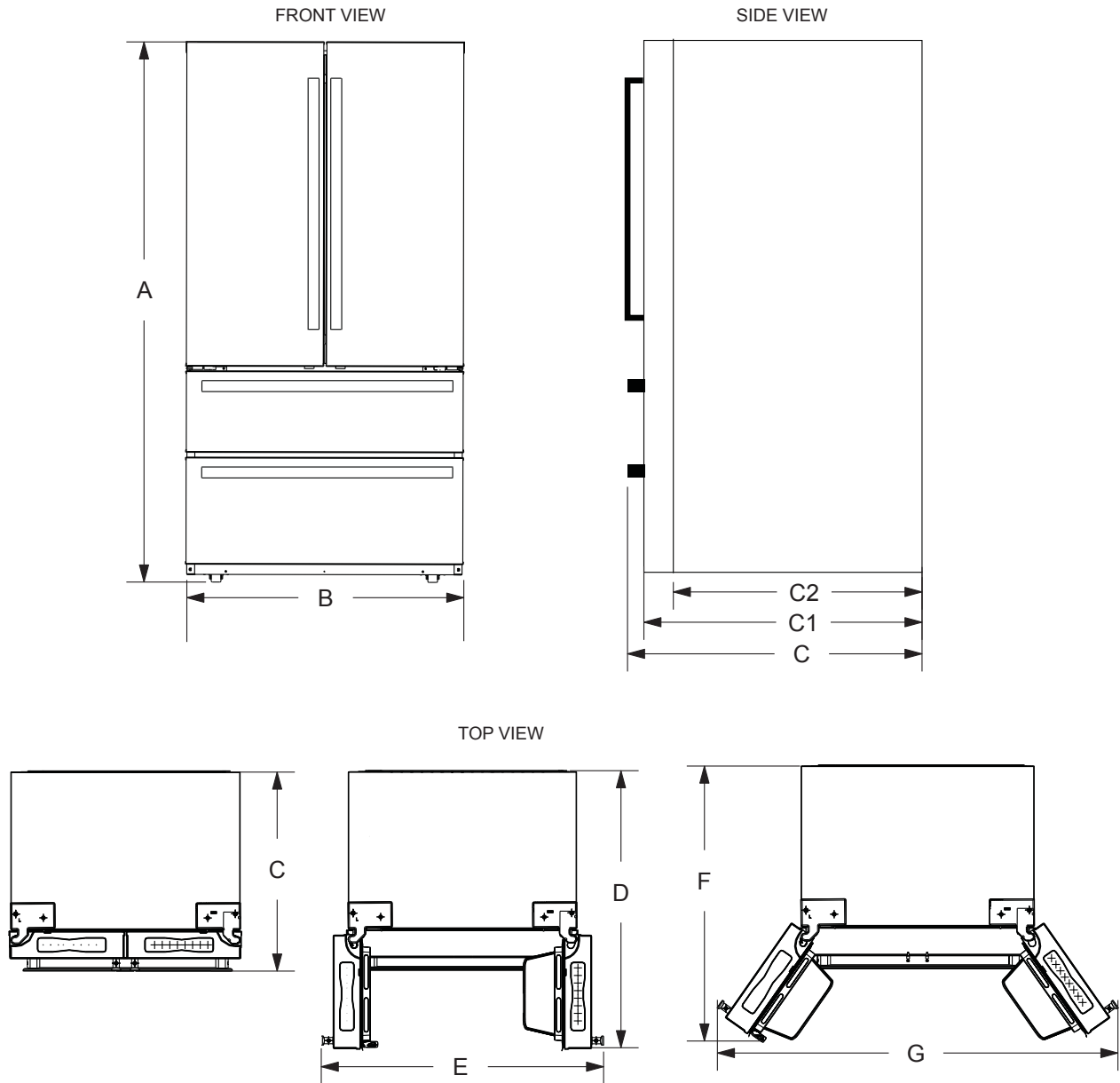
This marking indicates that this product should not be disposed with other household wastes. To prevent possible harm to the environment or human health from uncontrolled waste disposal, recycle it responsibly to promote the sustainable reuse of material resources. To return your used device, please use the return and collection systems or contact the retailer where the product was purchased. They can take this product for environmental safe recycling.

ⓘ WARNING

WARNING: Cancer and Reproductive Harm -
www.P65Warnings.ca.gov

INSTALLATION INSTRUCTIONS

APPLIANCE/INSTALLATION DIMENSIONS



	DIMENSIONS	SIZE (IN)
Height	A	69.9
Width	B	35.8
Depth without Doors	C2	24.4
Depth without Handles	C1	29.0
Depth with Handles	C	30.9
Door open 90° Depth	D	43.1
Door open 90° Width	E	44.1
Door open 135° Depth	F	41.3
Door open 135° Width	G	64.6

INSTALLATION INSTRUCTIONS

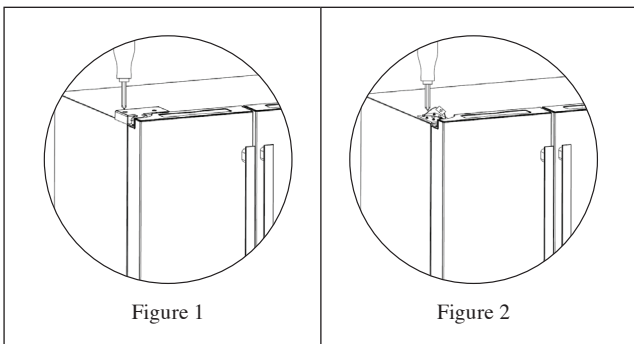
INSTALLATION LOCATION

- This refrigerator is designed for indoor, household use only.
- Keep away from heat and avoid direct sunlight or places near a heat source, such as an oven or a radiator.
- Do not place the refrigerator in moist or watery places to prevent rust or reduction of insulating effect to affect the electrical insulation properties of the refrigerator.
- The refrigerator is placed in a dry and well-ventilated indoor place.
- The ground shall be flat, and sturdy (rotate the adjustable leg left or right to adjust for leveling if unstable.)
- The temperature of the location ranges from a minimum of 55°F to a maximum of 110°F. However, for better energy usage and superior cooling, the temperature is preferred to be between 60°F and 90°F.
- For proper air circulation and electric connections, allow a 3/4" clearance on each side and behind the refrigerator. Allow a 3/8" clearance at top of the refrigerator.
- Spare enough space for convenient opening of the doors and drawers, especially when the refrigerator is installed next to a fixed wall to allow the door to swing open.

DISASSEMBLY OF REFRIGERATOR DOOR/DRAWER

In some cases you need to remove the fridge doors and freezer drawers to move the refrigerator through a doorway. The doors and drawers can be removed by the following steps. **If not necessary, DO NOT remove the doors and drawer.**

1. Use screwdriver to remove the 2 pcs screws, and then remove the upper hinge cover of the Left door. See Figure 1.
2. Use the screwdriver to loosen the 3 screws and 1 earth screw fixing the upper hinge, then remove the plug terminal and then remove the Left door body. See Figure 2.
3. For the Right door, there is no earth screw. Follow the rest of the steps for the Left door.

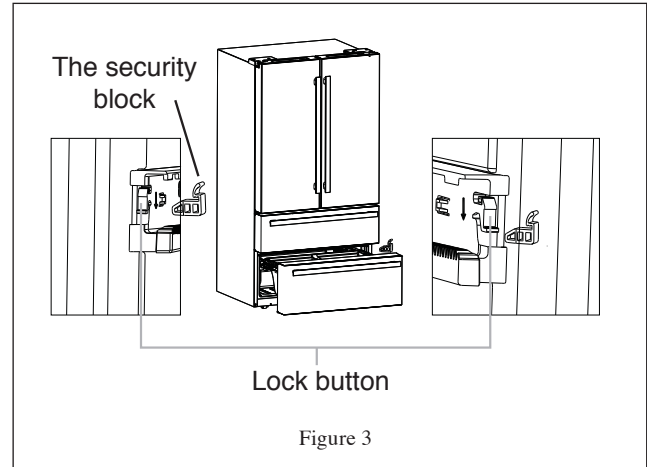


4. For a drawer, first remove the security block for the stopper by hand. See Figure 3.
5. Press the lock buttons of both the left and right glide rails and slowly pull the drawer out. See Figure 3.

Note:

To install the drawer in place, inserting the glide rails in the rail housing and slowly push the drawer toward the back.

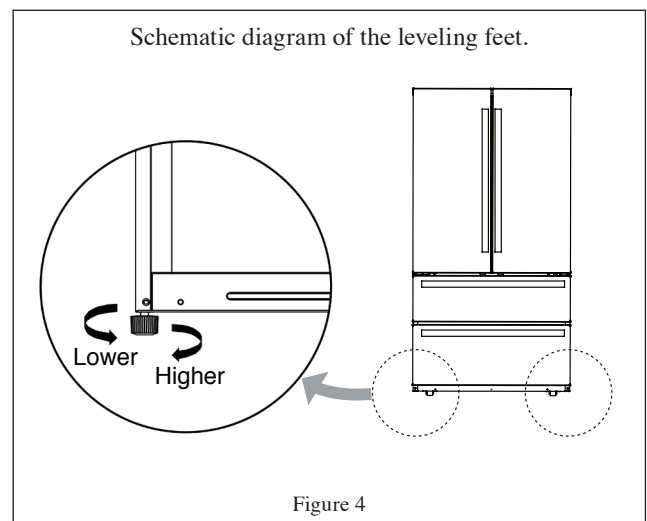
Make sure that the rail assemblies are securely installed and put the security blocks on the lock buttons.



LEVELING THE REFRIGERATOR

Precautions before operation

1. Information in the Instruction Manual is only for reference. Before operation of accessories, it shall be ensured that the refrigerator is disconnected from power. Before adjusting the leveling feet, precautions shall be taken to prevent any personal injury.
2. Adjusting procedures, see Figure 4:
 - A. Turn the feet clockwise to raise the refrigerator.
 - B. Turn the feet counterclockwise to lower the refrigerator.
 - C. Adjust the right and left feet based on the procedures above to a horizontal level.



INSTALLATION INSTRUCTIONS

LEVELING THE DOORS

Precautions before operation

1. Before operation of accessories, it shall be ensured that the refrigerator is disconnected from power. Before adjusting the door, precautions shall be taken to prevent any personal injury.
2. Raise the lower door up to the level of the higher door.
3. Insert the supplied fastener-ring by using pliers in the gap between the hinge-grommet and the lower hinge.

The number of fasten-rings you will need to insert depends on the gap. See Figure 5.

List of tools to be provided by the user

Pliers



Schematic diagram of adjusting the door.

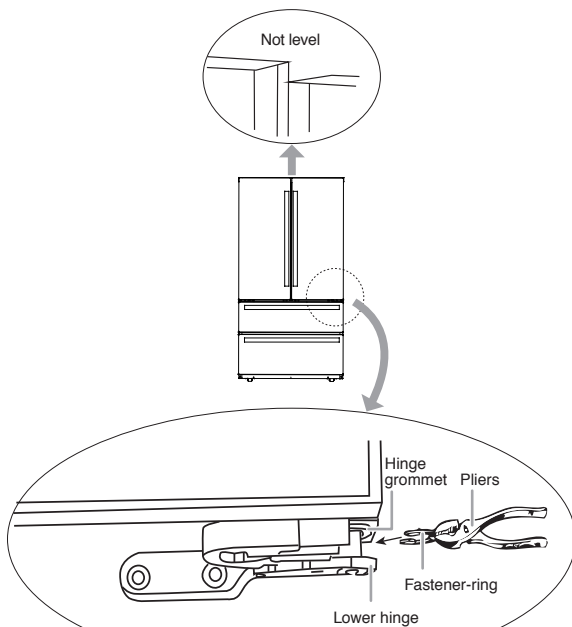


Figure 5

CONNECTING THE WATER LINE

INSTALLING THE WATER LINE

Water line installation kits are available as an additional accessory from your dealer or at a local hardware store.

CONNECTING TO THE WATER SUPPLY LINE

1. First, shut off the main water supply line. See Figure 6.
2. Locate the nearest cold water supply valve.
3. After connecting the water supply to the water valve, turn your main water supply back on and flush several gallons of water to clear the water supply line.

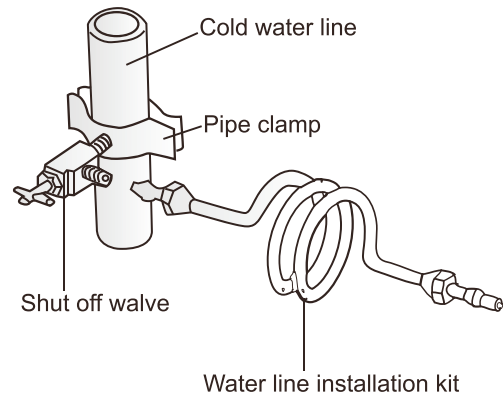


Figure 6

CONNECTING THE WATER LINE TO THE REFRIGERATOR

There are several items that you need to purchase to complete this connection.

You will find these items sold as a kit at your local hardware store.

1. First, water tubes (supplied) insert into corresponding hole of water connector (supplied). See Figure 7.
2. Second, water line installation kit (not included) inserts into another hole of water connector (supplied).
3. Turn water valve on and check for any leakage.

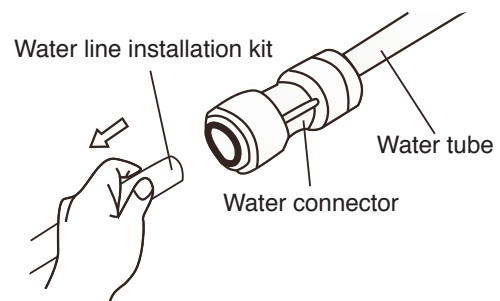


Figure 7

INSTALLATION INSTRUCTIONS

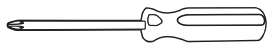

CONNECTING THE WATER LINE TO A DRINKABLE WATER SOURCE

If your water line is NOT drinkable, please add an external water filter.

If you must repair or disassemble the water line, cut off the plastic tubing to make sure you get a snug, leak-free connection.

INSTALLING DOOR HANDLES

Precautions shall be taken to prevent fall of the handle from causing any personal injury.

List of tools to be provided by the user	
Phillips screwdriver	
Inner hexagon spanner	

INSTALLATION PROCEDURES

1. Take out bolt ① from accessory bag, then use Phillips screwdriver to fix the bolt ① into the bolt hole ② of refrigerator doors. See Figure 8.
2. Put the handle on the door through the bolt ① and make sure the handle contact the door surface closely. See Figure 9.
3. Fix the handle by rotating the handle screw ③ to the end, then to shake the handle for verifying if it already be fixed tightly.
4. Put the cap ④ on the handle screw hole to complete this installation.

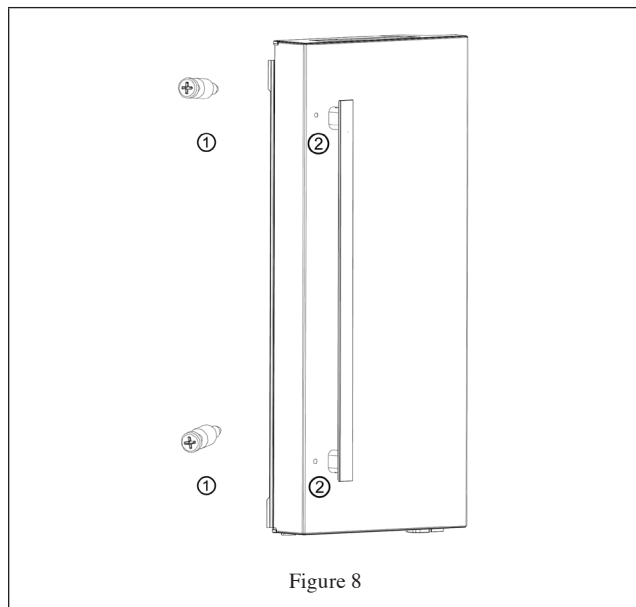


Figure 8

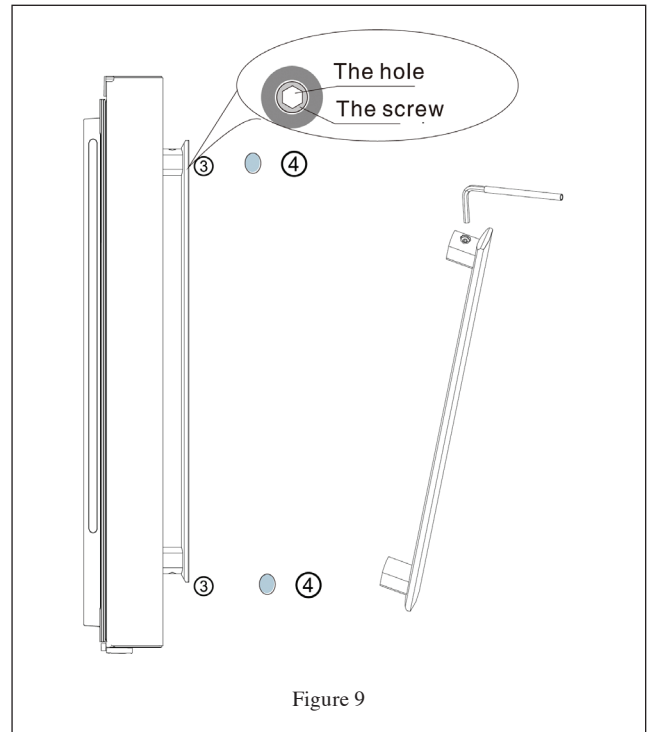


Figure 9

Notes:

- ① Bolt
- ② Bolt hole
- ③ Handle screw
- ④ Screw hole cap

BEFORE USING THE REFRIGERATOR

- Before use, remove all packing materials, including bottom cushions, foam pads and tapes inside of the refrigerator; tear off the protective film on the doors and the refrigerator body.
- Before turning the refrigerator on, keep the refrigerator still for two hours before connecting it to power supply.
- Before putting any fresh or frozen foods, the refrigerator shall have run for 2-3 hours, or for above 4 hours in summer when the ambient temperature is high.

ENERGY SAVING TIPS

- The appliance should be located in the coolest area of the room, away from heat producing appliances or heating ducts, and out of the direct sunlight.
- Let hot foods cool to room temperature before placing in the appliance. Overloading the appliance forces the compressor to run longer. Foods that freeze too slowly may lose quality, or spoil.
- Be sure to wrap foods properly, and wipe containers dry before placing them in the appliance. This cuts down on frost build-up inside the appliance.
- Appliance storage bin should not be lined with aluminum foil, wax paper, or paper toweling. Liners interfere with cold air circulation, making the appliance less efficient.
- Organize and label food to reduce door openings and extended searches. Remove as many items as needed at one time, and close the door as soon as possible.

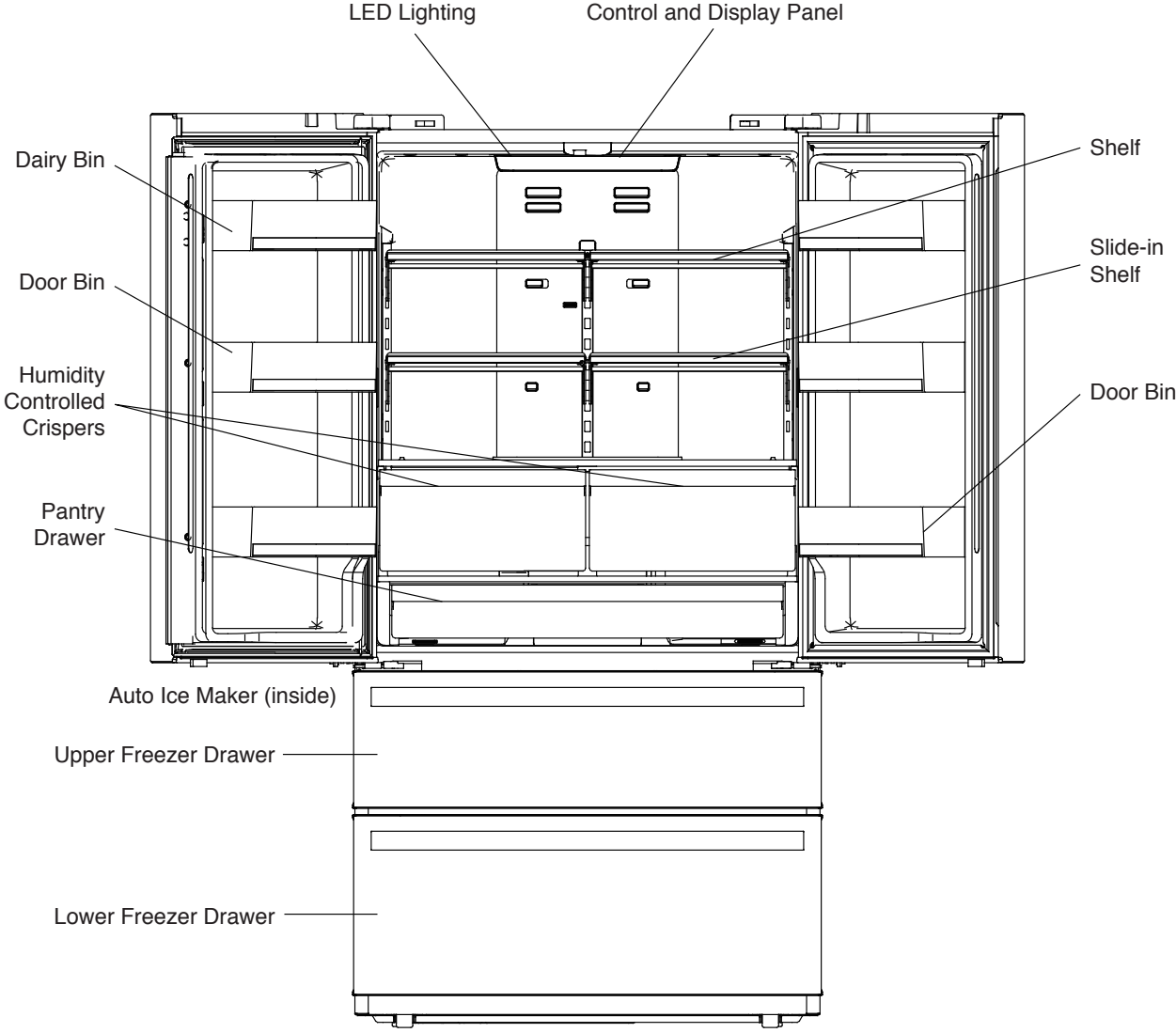
ⓘ WARNING

Precautions before installation:

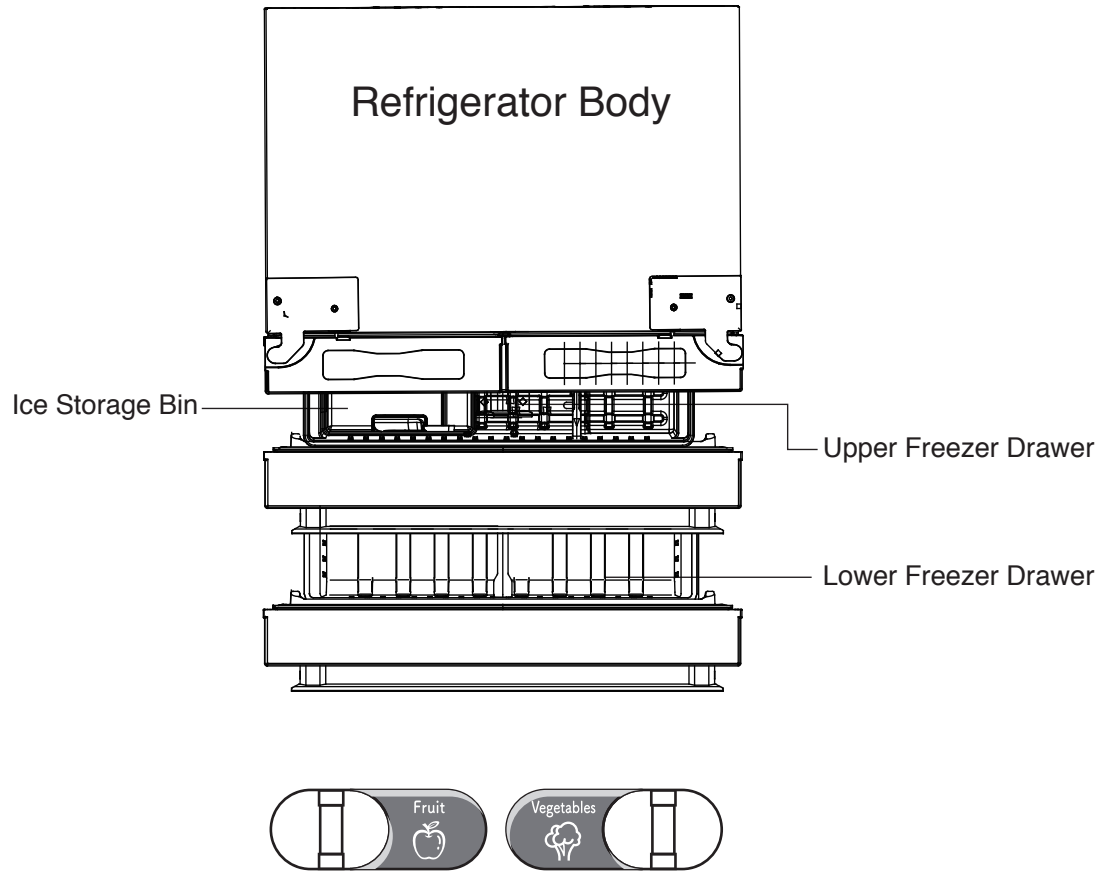
Before installation or adjusting of accessories, it shall be ensured that the refrigerator is disconnected from power.

Precautions shall be taken to prevent fall of the handle from causing any personal injury.

APPEARANCE OVERVIEW



APPEARANCE OVERVIEW



REFRIGERATING CHAMBER

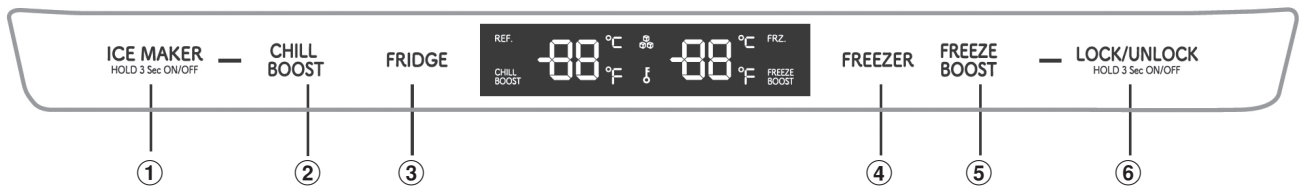
- The refrigerating chamber is suitable for storage of a variety of fruits, vegetables, beverages, and other food consumed in the short term.
- Cooking foods shall not be put in the refrigerating chamber until cooled to room temperature.
- Foods are recommended to be sealed up before putting onto the refrigerator.
- The glass shelves can be adjusted up or down for a reasonable amount of storage space and easy use
- When the paddle of the humidify control is slid to the right, the pattern shows the vegetable icon. At this time, the moisturizing effect is good, and the crisper is suitable to store vegetables; when the paddle is slid to the left side, the fruit icon is displayed, the moisturizing effect is controlled, and the crisper is suitable to store fruit.

FREEZING CHAMBER

- The low temperature freezing chamber may keep food fresh for a long time and it is mainly used to store frozen foods and making ice.
- The freezing chamber is suitable for storage of meat, fish, rice balls and other foods not to be consumed in short term.
- Chunks of meats are preferably to be divided into small pieces for easy access. Please be noted food shall be consumed within the shelf time.

Note: Storage of too much food during operation after the initial connection to power may adversely affect the freezing effect of the refrigerator. Food stored shall not block the air outlet; or otherwise the freezing effect will also be adversely affected.

CONTROL AND DISPLAY PANEL



BUTTONS

- ① Ice-Making button
- ② Chill Boost button
- ③ Temperature control button of refrigerator room
- ④ Temperature control button of freezer room
- ⑤ Freeze Boost button
- ⑥ Lock/unlock button

OPERATING REFRIGERATOR

DISPLAY

- A. When plugging in the refrigerator, the display screen will totally display for 3 seconds, meanwhile the starting up bell rings, then the display screen enters the normal display of operation. (When power-on for first time, the default set temperature of the refrigerator room and the freezer room is 41°F/ 0°F).
- B. It will display the set temperature of both refrigerator and freezer rooms when there is no fault.
- C. Under normal circumstances, the display light will go out after 30 seconds in the lock state, button operation on display panel would wake up the display screen; if the opening door action wakes up the display screen, the display light would go out immediately when the door is closed.
- D. When an error occurs, the display will light up with a corresponding error code and stay on for 30 seconds before going out.

LOCK/UNLOCK

- A. In the unlock state, press and hold the lock/unlock button for 3 seconds to enter the lock state, and the buzzer sound rings.
- B. In the lock state, press and hold the lock button for 3 seconds to enter the unlock state and the buzzer sound rings.
- C. It will enter the lock state if there is no opening door action or any buttons operation within 30 seconds.
- D. The alarm sound can be stopped by pressing any one button in the lock state, but all other button operations need to be performed in the unlock state. If you operate in the lock state, an error beep will be given.


REFRIGERATOR TEMPERATURE SETTING

Click the temperature control button of refrigerator room to change the set temperature of refrigerator room. Each time click the button, the set temperature will drop 1°F. when the set temperature reaches the 34°F, click the button again, the set temperature will switch to 44°F. The temperature setting will take effect after the display panel is locked

FREEZER TEMPERATURE SETTING

Click the temperature control button of freezer room to change the set temperature of freezer room. Each time click the button, the set temperature will drop 1°F. When the set temperature reaches the -7°F, click the button again, the set temperature will switch to 7°F. The temperature setting will take effect after the display panel is locked.

MODE SETTING

- A. Press the **CHILL BOOST** button to start the rapid cooling function. The refrigerator room is set at 34°F automatically, and the **CHILL BOOST** icon shines. When exit the **CHILL BOOST** mode, the set temperature of refrigerator room will go back to the set temperature before **CHILL BOOST** mode.
- B. Press the **FREEZE BOOST** button to start the rapid freezing function. The freezer room is set at -7°F automatically, and the **FREEZE BOOST** icon shines. When exit the **FREEZE BOOST** mode, the set temperature of freezer room will go back to the set temperature before **FREEZE BOOST** mode.
- C. Press the **ICE MAKER** button, the ice-making function could be switched between on/off. When the  icon is on, it indicates that the ice-making function is activated.

ERROR CODE

When the following tips to appear on the display screen, it indicates a problem with the refrigerator. Although the refrigerator in the following fault case can still provide cool/freeze functions, but the user should contact maintenance personnel, ensure the normal use of refrigerator.

ERROR CODE	ERROR DESCRIPTION
E1	Temperature sensor failure of refrigerator room
E2	Temperature sensor failure of freezer room
E5	Defrost sensor error of freezer room
E6	Communication error
E7	Ambient temperature sensor error
EH	Humidity sensor error
Eo	Ice maker error

CARE AND CLEANING

OVERALL CLEANING

- Dusts behind the refrigerator and on the ground shall be timely cleaned to improve the cooling effect and energy saving. The interior of the refrigerator should be cleaned regularly to avoid odor. Soft towels or sponge dipped in water and non-corrosive neutral detergents are suggested for cleaning. The freezer shall be finally cleaned with clean water and dry cloth. Open the door for natural drying before the power is turned on.
- Do not use hard brushes, clean steel balls, wire brushes, abrasives, such as toothpastes, organic solvents (such as alcohol, acetone, banana oil, etc.), boiling water, acid or alkaline items clean refrigerator considering that this may damage the fridge surface and interior.
- Do not rinse with water so as not to affect the electrical insulation properties.

⚠ DANGER

Please unplug the refrigerator for defrost and cleaning.

CLEANING OF DOOR TRAY

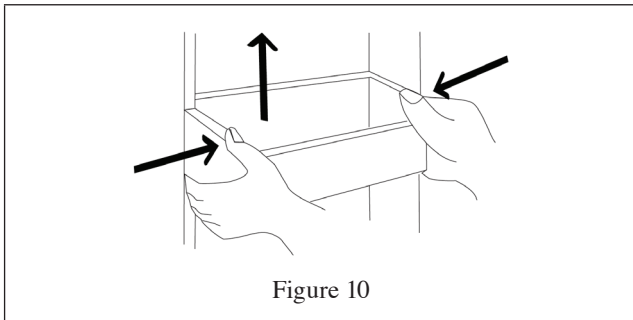


Figure 10

- According to the direction arrow in the figure below, use both hands to squeeze the tray, and push it upward, then you can take it out. See Figure 10.
- After washing the tray having been taken out, you can adjust its installing height in accordance with your requirement.

CLEANING OF SHELF

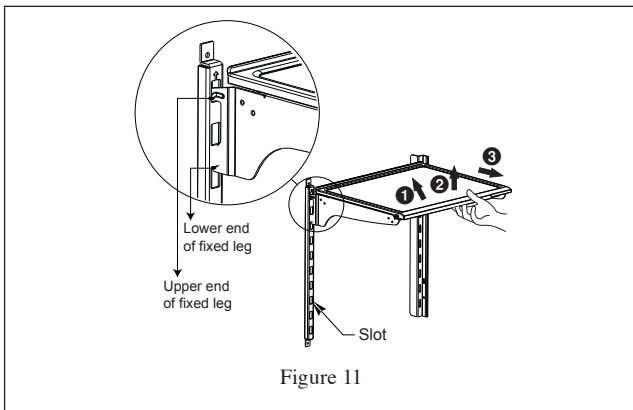


Figure 11

Please dismantle the cantilever shelf according to the arrows as shown in the illustration. See Figure 11.

1. Hold the front edge of shelf, and tilt the shelf inwards until the lower end of fixed leg is separated from the slot of supporting iron.
2. Uplift the whole shelf until it can not rise anymore;
3. Take out the shelf horizontally.

During installation, put the upper end of the fixed leg into one of the upper slots on the supporting iron first and then put the lower end of the fixed leg into the third slot on the lower part of the supporting iron.

DEFROSTING

The refrigerator is made based on the air-cooling principle and thus has automatic defrosting function. Frost formed due to change of season or temperature may also be manually removed by disconnection of the appliance from power supply or by wiping with a dry towel.

OUT OF OPERATION

- Power failure: In case of power failure, even if it is in summer, foods inside the appliance can be kept for several hours; during the power failure, the times of door opening shall be reduced, and no more fresh food shall be put into the appliance.
- Long-time nonuse: The appliance shall be unplugged and then cleaned; then the doors are left open to prevent odor.
- Moving: Before the refrigerator is moved, take all objects inside out, fix the glass partitions, vegetable holder, freezing chamber drawers and etc. with tape, and tighten the levelling feet; close the doors and fix them with tape. During moving, the appliance shall not be laid upside down or horizontally, or be vibrated; the inclination during movement shall be no more than 45°.

⚠ DANGER

The appliance shall run continuously once it is started. Generally, the operation of the appliance shall not be interrupted; otherwise the service life may be impaired.

CHANGING THE LIGHT

Any replacement or maintenance of the LED lamps is intended to be made by the manufacturer, its service agent or similar qualified person.

TROUBLE SHOOTING

You may try to solve the following simple problems by yourself. If them cannot be solved, please contact the after-sales department.

Failed operation	<ul style="list-style-type: none"> • Check whether the appliance is connected to power or whether the plug is in well contact. • Check whether the voltage is too low. • Check whether there is a power failure or partial circuits have tripped.
Odor	<ul style="list-style-type: none"> • Odorous foods shall be tightly wrapped. • Check whether there is any rotten food. • Clean the inside of the refrigerator.
Long-time operation of the compressor	<ul style="list-style-type: none"> • Long operation of the refrigerator is normal in summer when the ambient temperature is high. • It is not recommended having too much food in the appliance at the same time. • Food shall get cool before being put into the appliance. • The doors are opened too frequently.
Light fails to get lit	<ul style="list-style-type: none"> • Check whether the refrigerator is connected to power supply and whether the illuminating light is damaged.
Doors cannot be properly closed	<ul style="list-style-type: none"> • The door is stuck by food packages. • The refrigerator is tilted.
Loud noise	<ul style="list-style-type: none"> • Check whether the floor is level and whether the refrigerator is placed stably. • Check whether accessories are placed at proper locations.
Door seal fails to be tight	<ul style="list-style-type: none"> • Remove foreign matters on the door seal. • Heat the door seal and then cool it for restoration (or blow it with an electrical drier or use a hot towel for heating).
Water pan overflows	<ul style="list-style-type: none"> • There is too much food in the chamber or food stored contains too much water,resulting in heavy defrosting. • The doors are not closed properly, resulting in frosting due to entry of air and increased water due to defrosting.
Hot housing	<ul style="list-style-type: none"> • Heat dissipation of the built-in condenser via the housing, which is normal. • When housing becomes hot due to high ambient temperature and storage of too much food, it is recommended to provide sound ventilation to facilitate heat dissipation.
Surface condensation	<ul style="list-style-type: none"> • Condensation on the exterior surface and door seals of the refrigerator is normal when the ambient humidity is too high. Just wipe the condensate with a clean towel.
Abnormal noise	<ul style="list-style-type: none"> • Buzz: The compressor may produce buzzes during operation, and the buzzes are loud particularly upon start or stop. This is normal. • Creak: Refrigerant flowing inside of the appliance may produce creak, which is normal.

SHARP[®]

SHARP ELECTRONICS CORPORATION • 100 Paragon Drive • Montvale, New Jersey 07645 • USA

June 18, 2020