

# 24" Bar Handle Dishwasher

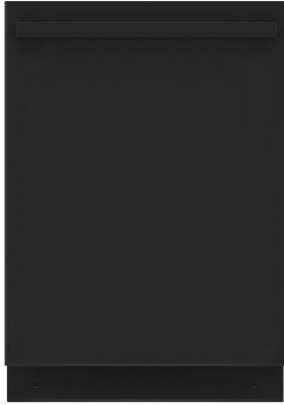
100 Series Premium – Black SHX5AEM6N



**BOSCH**

Invented for life

IMAGE SHOWN IS NOT FINAL



**SHX5AEM6N**  
Black

Also available in:

- White SHX5AEM2N
- Black SHX5AEM4N
- Stainless Steel SHX5AEM5N

**A 3rd rack provides 30% more loading space<sup>1</sup> for your utensils, giving the other racks more space for dishes.**

## Features & Benefits

With Bosch PrecisionWash<sup>®</sup>, just scrape and load. No pre-rinsing required for a beautiful clean.

46 dBA: Quietest dishwasher brand in North America.<sup>2</sup>

RackMatic<sup>®</sup> adjusts the upper rack to 9 different positions, allowing for taller items like stemware or leaving room for pots and pans below.

Home Connect<sup>®</sup> lets you monitor and control your appliance remotely, via the Home Connect<sup>®</sup> app.

24/7 Overflow Protection System<sup>®</sup> helps prevent water leaks, even when your dishwasher is off.

## General Properties

|  |   |
|--|---|
| Number of wash cycles                                    | 5 + 3 additional in Home Connect <sup>®</sup>                               |
| Number of options  | 3 + 4 additional in Home Connect <sup>®</sup>                               |
| dBA  | 46  |
| Drying system  | PureDry <sup>®</sup>  |
| Third rack   | Standard 3rd rack   |
| Rack adjustability                                       | RackMatic <sup>®</sup>  |
| Tub material   | Stainless steel/polypropylene   |
| Control type   | Touch   |
| Concealed water heating element                          | Yes   |
| Leak protection system                                   | 24/7 Overflow Protection  |
| NSF <sup>®</sup> -certified <sup>3</sup> sanitize option | Yes   |
| Water softener   | No  |
| Five-level wash  | Yes   |
| ChildLock  | No  |
| Home Connect <sup>®</sup> (Wi-Fi enabled)                | Yes   |
| Special features   | 3rd rack, Anti-fingerprint, InfoLight <sup>®</sup> , RackMatic <sup>®</sup> |

## Efficiency

|                                 |         |
|---------------------------------|---------|
| Water usage per cycle           | 3.5 gal |
| Energy efficiency class         | Tier 1  |
| Total annual energy consumption | 269 kWh |
| Total annual water consumption  | 753 g   |

 Home Connect



<sup>1</sup>Compared to Bosch dishwasher with two racks.

<sup>2</sup>Based on an average of sound ratings of 24" Full Size Stainless Steel Tub dishwashers contained in major brands US & Canadian websites. Major brands defined as TraQline Top 5 Market Share (US & Canada) December 2021.

<sup>3</sup>Certification to NSF/ANSI Standard 184 for residential dishwashers.

## Capacity

Number of place settings 15

## Technical Details

|  |                           |
|--|---------------------------|
| Watts  | 1440 W                    |
| Current  | 12 Amps                   |
| Volts  | 120 V                     |
| Frequency  | 60 Hz                     |
| Power cord full length   | 67"                       |
| Power cord install length from edge of unit when facing the door | Left – 45"<br>Right – 50" |
| Minimum water pressure   | 15 lb/sin                 |
| Length outlet hose   | 90 1/2"                   |

## Dimensions & Weight

|                                      |                               |
|--------------------------------------|-------------------------------|
| Overall appliance dimensions (HxWxD) | 33 7/8" x 23 9/16" x 22 9/16" |
| Required cutout size (HxWxD)         | 33 7/8" x 24" x 24"           |
| Adjustable feet                      | Yes                           |
| Net weight                           | 76 lbs                        |

## Accessories—Optional

|  |            |
|--|------------|
| Supply Hose Kit with Elbow                   | SMZSH1ABUC |
| Junction Box                                 | SMZPCJB1UC |
| Dishwasher Drain Hose Extension 76 3/4"      | SGZ1010UC  |
| Dishwasher Accessory Kit                     | SMZ5000    |
| DoubleFlex Silverware Basket                 | SMZ4000UC  |
| Edge Protector + Power Cord Clip Install Kit | SMZEPCC1UC |

**Accessories:** To purchase Bosch accessories, cleaners & parts please visit [www.bosch-home.com/us/store](http://www.bosch-home.com/us/store) or call 1-800-944-2904 (Mon to Fri 5 am to 6 pm PST, Sat 6 am to 3 pm PST).

**Notes:** All height, width and depth dimensions are shown in inches. BSH reserves the absolute and unrestricted right to change product materials and specifications, at any time, without notice. Consult the product's installation instructions for final dimensional data and other details prior to making cutout.

**Warranties:** Please see Use & Care manual or Bosch website for statement of limited warranty.

**For more information on our entire line of products, go to [www.bosch-home.com/us](http://www.bosch-home.com/us) or call 1-800-944-2904**

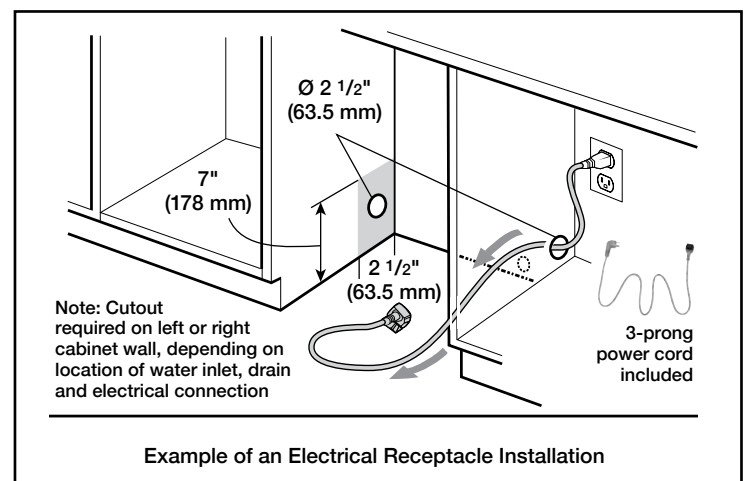
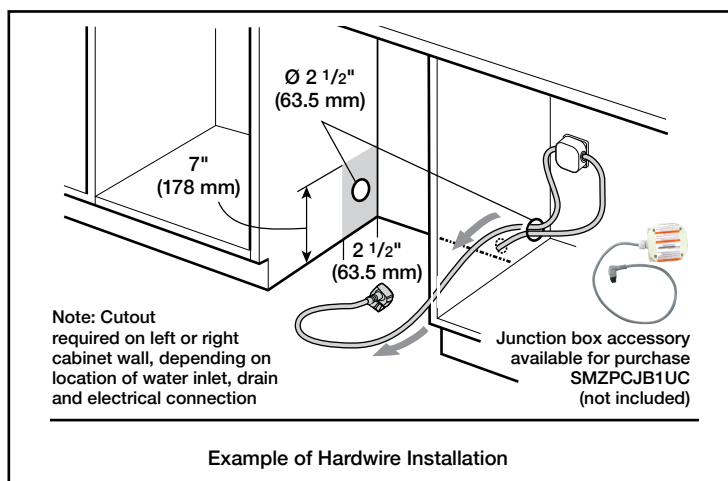
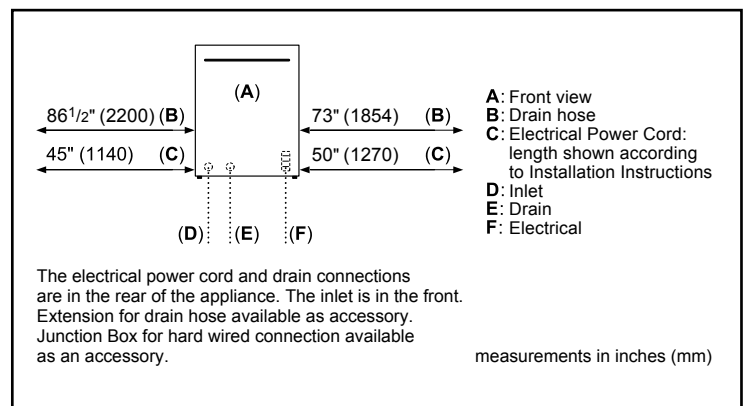
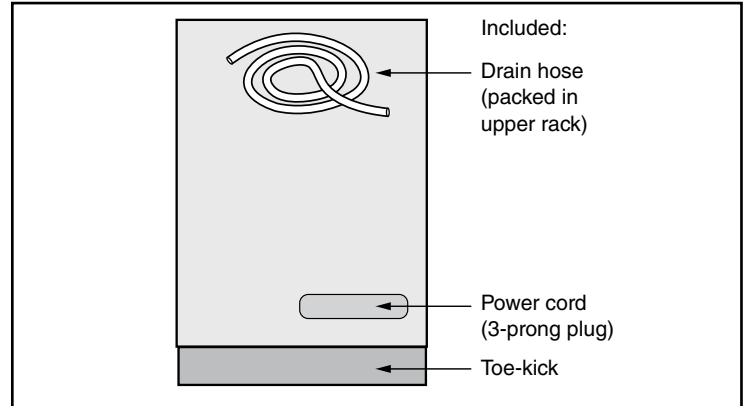
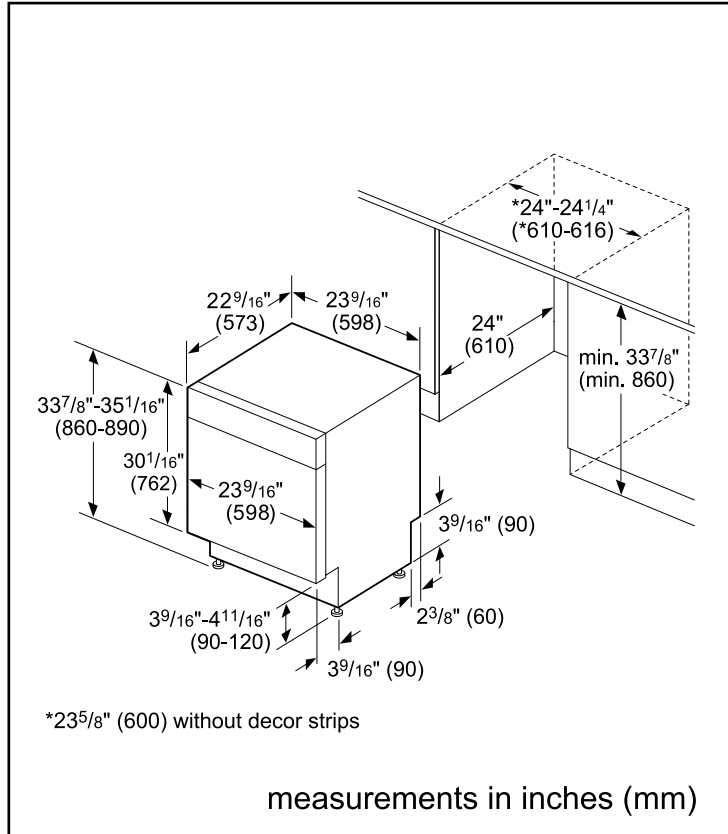
© BSH Home Appliances Corporation. All rights reserved. Bosch is a registered trademark of Robert Bosch GmbH.

# 24" Bar Handle Dishwasher

100 Series Premium – Black SHX5AEM6N



## Installation Details



**Accessories:** To purchase Bosch accessories, cleaners & parts please visit [www.bosch-home.com/us/store](http://www.bosch-home.com/us/store) or call 1-800-944-2904 (Mon to Fri 5 am to 6 pm PST, Sat 6 am to 3 pm PST).

**Notes:** All height, width and depth dimensions are shown in inches. BSH reserves the absolute and unrestricted right to change product materials and specifications, at any time, without notice. Consult the product's installation instructions for final dimensional data and other details prior to making cutout.

**Warranties:** Please see Use & Care manual or Bosch website for statement of limited warranty.

**For more information on our entire line of products, go to [www.bosch-home.com/us](http://www.bosch-home.com/us) or call 1-800-944-2904**

© BSH Home Appliances Corporation. All rights reserved. Bosch is a registered trademark of Robert Bosch GmbH.

# 24" Bar Handle Dishwasher

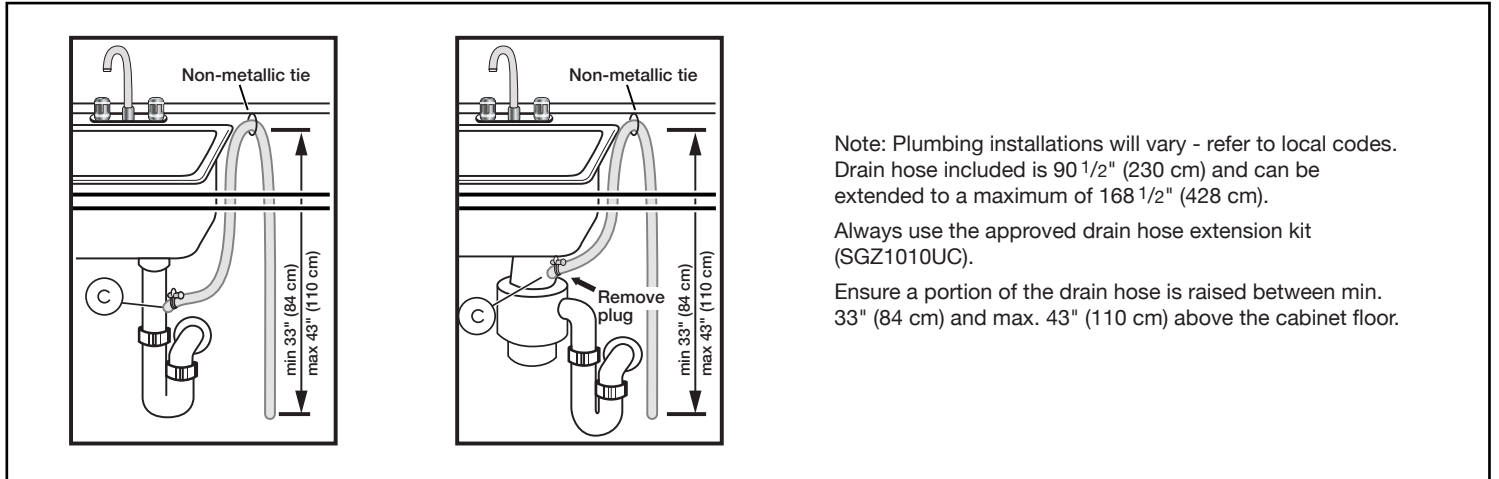
100 Series Premium – Black SHX5AEM6N



**BOSCH**

Invented for life

## Installation Details



**Accessories:** To purchase Bosch accessories, cleaners & parts please visit [www.bosch-home.com/us/store](http://www.bosch-home.com/us/store) or call 1-800-944-2904 (Mon to Fri 5 am to 6 pm PST, Sat 6 am to 3 pm PST).

**Notes:** All height, width and depth dimensions are shown in inches. BSH reserves the absolute and unrestricted right to change product materials and specifications, at any time, without notice. Consult the product's installation instructions for final dimensional data and other details prior to making cutout.

**Warranties:** Please see Use & Care manual or Bosch website for statement of limited warranty.

**For more information on our entire line of products, go to [www.bosch-home.com/us](http://www.bosch-home.com/us) or call 1-800-944-2904**

© BSH Home Appliances Corporation. All rights reserved. Bosch is a registered trademark of Robert Bosch GmbH.