



# SDHW1532PNR



33.75" x 14.75" x 18" (H x W x D)

15" wide shallow depth built-in undercounter wine cellar with panel-ready glass door, stainless steel interior, black cabinet, lock, and digital controls

### Highlights:

- Unique 18" shallow depth for an easy fit in kitchen islands
- Just under 15" wide for an easy fit, with a flush back design to save space
- Panel-ready door trim lets you blend the unit into your own cabinetry

### Product Features:

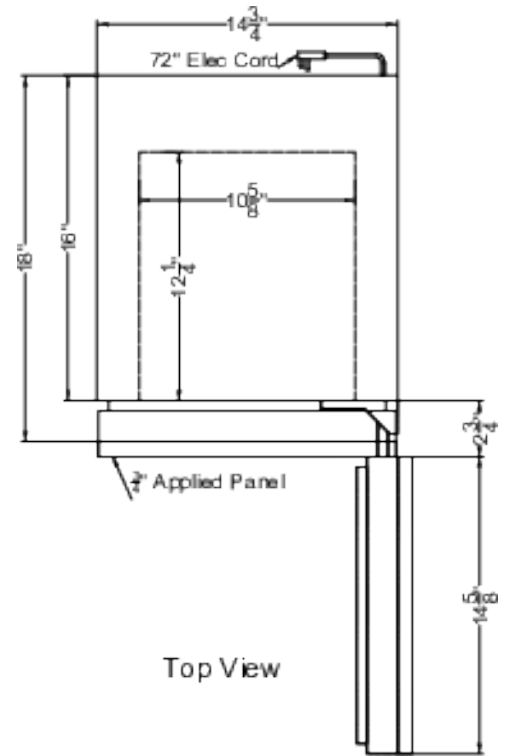
15" Wide Wine Cellar	Single zone wine cooler for residential or commercial storage
18" Depth	Unique 18" shallow depth is ideal for wet bars, island kitchens, and other undercounter areas with limited footprint space
Built-in capable	Front-breathing design lets you make the best use of space by installing your appliance under the counter
Commercially approved	ETL-S listed to NSF-7 Standards and meets UL-471 for use in commercial establishments
Versatile design	Innovative panel-ready bracket kit allows easy custom panel installation, but can also be removed cleanly if you redesign your space and prefer the look of stainless steel door trim
Panel-ready door trim	European style articulating door hinge and bracket kit allow easy installation of custom door trim panels to match adjacent cabinetry
Double pane tempered glass door	Elegant design offers a clear but protected view of your interior
Ideal temperature range	The unit's temperature range of 41° to 68°F is ideal for red, white, or sparkling wine bottles
Fully articulating European style hinge	Smoother opening and a better fit with an integrated European hinge



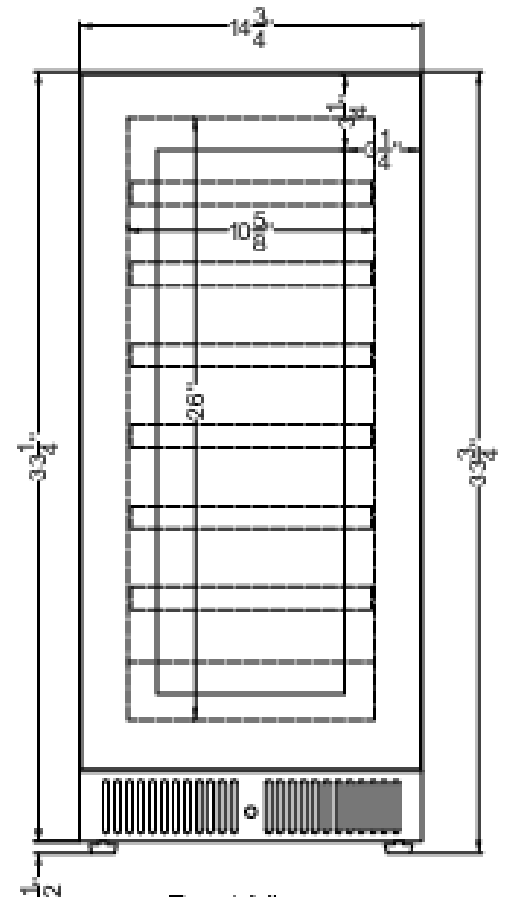
## SDHW1532PNR Specifications:

Overview	
Height of Cabinet	33.75" (86 cm)
Width	14.75" (37 cm)
Depth	18.0" (46 cm)
Depth with door at 90°	32.63" (83 cm)
Capacity	1.8 cu.ft. (51 L)
Bottles	18 bottles
Defrost Type	Frost-Free
Door	Glass/Panel-Ready Frame
Cabinet	Black
US Electrical Safety	ETL
Canadian Electrical Safety	ETL-C
Sanitation	ETL-S
Amps	1.0
Voltage/Frequency	115 V AC/60 Hz
Weight	88.0 lbs. (40 kg)
Parts & Labor Warranty	1 Year
Compressor Warranty	5 Years
UPC	761101145716
Wine Cellar	
Number of Zones	1
Door Swing	RHD
Reversible	Yes
Adjustable Shelves	Yes
Shelf Type	Steel
Shelf Qty	6
Thermostat Type	Digital
Interior Light	Yes
Fan Type	Interior and Exterior
Refrigerant Type	R600a
Refrigerant Amount	0.64 oz.
High Side PSI	270.0
Low Side PSI	105.0
Interior Height 1	26.0" (66 cm)
Interior Width 1	10.63" (27 cm)
Interior Depth 1	12.25" (31 cm)

Compressor Step Height	3.75" (10 cm)
Compressor Step Width	10.63" (27 cm)
Compressor Step Depth	5.0" (13 cm)
Temperature Range	41°F to 68°F
Sabbath Mode	Yes
Sound Level	33.3 dB



Top View



Front View