

RZ40H11PET

SAMSUNG

11.4 cu. ft. Convertible Upright Freezer



Available Color



Design

- Convertible Zone
- Organizational Options
- Reversible Door
- 11.4 cu. ft. Capacity
- Top LED Lighting
- Digital Display Buttons

Convenience

- 3 Spill-Proof Shelves
- 4 Crisper Drawers
- 3 Door Bins
- Child Lock
- Door Alarm
- High-Efficiency LED Lighting

Performance

- All-Around Cooling
- Surround AirFlow
- Power Freeze
- Cool Tight Door

Additional Specifications

Freezer 11.4 cu. ft.

- Adjustable Freezer Mode: Temperatures between 5°F and -8°F (0°F default temperature)
- Adjustable Fridge Mode: Temperatures between 44°F and 34°F (37°F default temperature)
- Mode Select - Switch between Freezer and Fridge Modes

Dimensions

Product Dimensions & Weight

Dimensions (WxHxD with hinges, handle and door): 23³/₈" x 73¹/₈" x 27³/₈"

Dimensions (WxHxD without hinges and door): 23³/₈" x 72⁵/₈" x 22⁵/₈"

Dimensions (WxHxD with hinge and door, no handle): 23³/₈" x 73¹/₈" x 25³/₈"

Weight: 180.7 lbs

Dimensions (cont.)

Shipping Dimensions & Weight (WxHxD)

Dimensions: 25³/₈" x 76³/₄" x 29⁷/₈"

Weight: 191.8 lbs

Warranty

One (1) Year Parts and Labor on Refrigerator
Five (5) Years Parts and Labor on Sealed Refrigeration System Only*
Ten (10) Years Parts and Five (5) Years Labor on Digital Inverter Compressor

*Compressor, evaporator, condenser, drier and connecting tubing.

UPC

Color	Model #	UPC Code
Stainless Look	RZ40H11PET	198957280405

Rating



ENERGY STAR® rated:
361 kWh/yr

RZ40H1PET

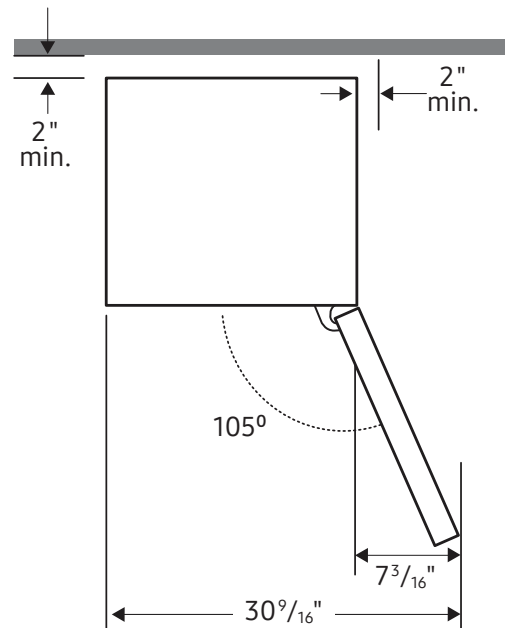
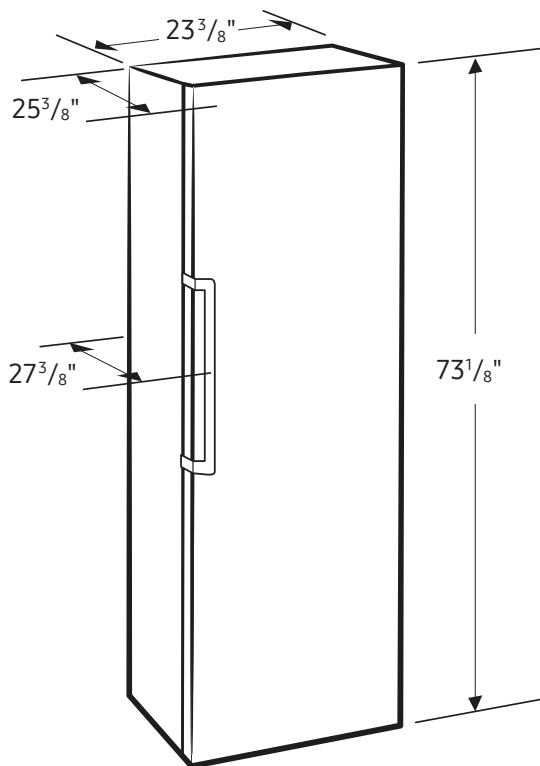
SAMSUNG

11.4 cu. ft. Convertible Upright Freezer

Installation Specifications

- Solid, level surface without carpeting or flooring that may obstruct ventilation
- Away from direct sunlight
- Adequate room for opening and closing the door
- Away from a heat source
- Room for maintenance and servicing
- Temperature range: between 38°F (3°C) and 110°F (43°C)

Dimensions



NOTE: Please allow more than 2" of clearance when installing along a wall.

