



3 SERIES 30"W. ELECTRIC RANGE

Viking 3 Series – RVER

FEATURES AND FUNCTIONS

- Wide variety of surface element sizes and wattages, including a fifth element
 - Left front – 8-1/2" 2,000-watt dual element
 - Left rear – 6-1/2" 1,200-watt single element
 - Center – 12" 3,200-watt triple element
 - Right front – 6-1/2" 1,200-watt single element
 - Right rear – 8-1/2" 2,000-watt dual element
- QuickCook™ Surface Elements utilize ribbon technology to reach full power in about three seconds
- Large capacity oven
 - 4.7 cu. ft. overall
 - 4.1 cu. ft. measured to AHAM Standards
See specifications chart for oven interior dimensions)
- High performance cooking modes include Bake, Convection Bake, TruConvec™ Convection Cooking, Convection Roast, Hi Broil, Medium Broil, Low Broil, Convection Broil, Convection Dehydrate, and Convection Defrost
- **EXCLUSIVE** – Patented Vari-Speed Dual Flow™ Convection System has the largest convection fan in the industry; the 8-1/2" fan works bi-directionally for maximum airflow and excellent cooking results
- Concealed 10-pass dual-bake element provides precise temperature control
- 10-pass broiler with heat reflector provides superior broiling performance
- Rapid Ready™ Preheat provides superfast preheating
- Oven has six porcelain-coated rack supports and comes standard with one TruGlide™ full extension oven rack and two standard racks
- Halogen oven lighting provides excellent visibility throughout oven cavity
- Shipped standard with Island trim



EASY OPERATION AND CLEANUP

- Extremely large self-clean convection oven
- Strong, wear-resistant glass ceramic surface with stainless steel frame offers excellent cleanability
- Durable metal die-cast knobs with child-proof, push-to-turn safety feature
- Customer-removable knobs for easy cleaning

MODEL NUMBERS

- RVER3301-5B – 30"W. Electric Self-Clean Range; five elements

ACCESSORIES

- RD30BG6SS – 6" high backguard for 30" range
- RD24CSTSS – countertop side trim
- P30CRTSS – countertop rear trim for 30" range
- P30CBF4SS – curb base and custom curb base front for 30" range

COLOR FINISHES

- Stainless Steel (SS)
- Volume 1 Color Finishes include Antique Bronze (AN), Blush (BH), Cast Black (CS), Damascus Gray (DG), Eucalyptus (EU), Ivy (IV), Martini (MA), November Sky (NS), Slate Blue (SB), Spiced Cider (SC), Splash (SP)



- Volume 2 Color Finishes include Daffodil (DA), Golden Hour (GH), Nantucket (NA), Onyx (ON), Pure White (PW), Squall (SQ), Valentine (VA)



WARRANTY

- 2-year full – complete product
- 90-day full – cosmetic parts such as glass, painted items and decorative items
- 5-year limited – electric elements

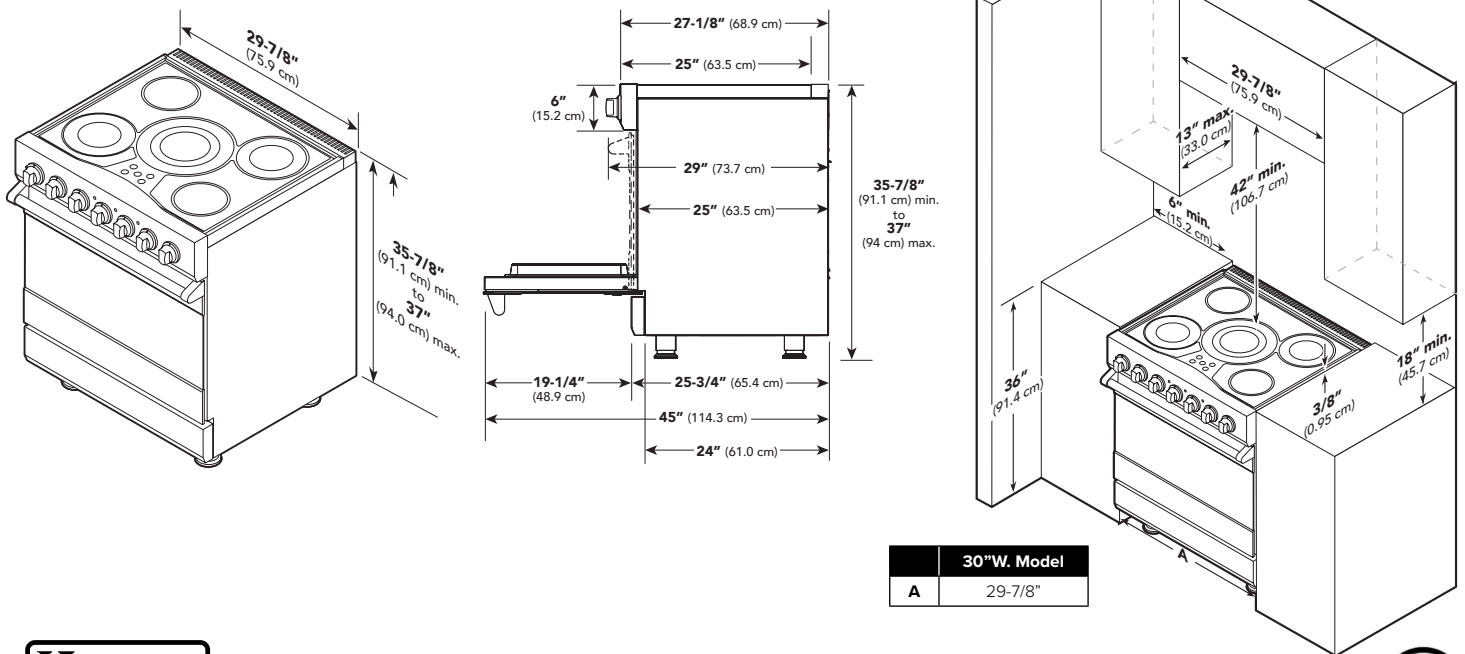


3 SERIES 30"W. ELECTRIC RANGE

Viking 3 Series – RVER

ELECTRIC SELF-CLEAN 30"W. RANGE	
DESCRIPTION	RVER3301-5B
Overall Width	29-7/8" (75.9 cm)
Overall Height	To top of side trim – 35-7/8" (91.1 cm) minimum; 37" (94.0 cm) maximum Legs adjust – 1-1/8" (2.9 cm)
Overall Depth from Rear	To front of side panel – 25" (63.5 cm) To front of door – 25-3/4" (65.4 cm) To front of control panel – 27-1/8" (68.9 cm) To end of knobs – 29" (73.7 cm)
Additions to Overall Height	To top of island trim – add 0" (0.0 cm) To top of 6" h. backguard – add 6" (15.2 cm) To top of high shelf – add 18-3/16" (46.2 cm)
Electrical Requirements	240-208 VAC 60 Hz electrical connection box on product, connect with locally supplied 3-wire, flexible cord or "pigtail" rated 40 amp. 125-250 VAC minimum. Cord must be agency approved for use with household electric ranges.
Maximum Wattage/Amp Usage	240V – 15,200 watts – 63.3 amps 208V – 11,400 watts – 54.8 amps
Surface Element Rating	Left Front – 2,000 watts Left Rear – 1,200 watts Center – 3,200 watts Right Front – 1,200 watts Right Rear – 2,000 watts
Oven Interior Width	25 5/16" (64.6 cm)
Oven Interior Height	16 1/2" (41.9 cm)
Oven Interior Depth	Overall – 19-1/2" (49.5 cm) AHAM* – 16-13/16" (42.7 cm)
Oven Volume	Overall – 4.7 cu. ft. AHAM* – 4.1 cu. ft.
Approximate Shipping Weight	424 lb. (190.8 kg)

Please do not prepare installation from brochure data only. See installation instructions for important clearance/installation information.
*The AHAM Standard for measuring oven capacity subtracts the door plug and convection baffle dimension from the total oven volume.



VIKING RANGE, LLC 111 FRONT STREET GREENWOOD, MISSISSIPPI 38930 USA

For detailed product information, model numbers, or to request a quote call 1-888-845-4641 or visit vikingrange.com
© 2024 Viking Range, LLC All rights reserved. Specifications subject to change without notice.

