

ELECTRIC COOKTOPS

RVEC330-5B – 30" WIDE / RVEC336-5B – 36" WIDE /
RVEC345-6B – 45" WIDE



Features and Functions

- Wide variety of surface element sizes and wattages
- 30" wide model – 5 burners
 - Left front – 8 1/2", 2,000-watt dual element
 - Left rear – 6 1/2", 1,200-watt single element
 - Center – 12", 3,200-watt triple element
 - Right front – 8 1/2", 2,000-watt dual element
 - Right rear – 6 1/2", 1,200-watt single element
- 36" wide model – 5 burners
 - Left front – 8 1/2", 2,000-watt dual element
 - Left rear – 6 1/2", 1,200-watt single element
 - Center – 12", 3,200-watt triple element
 - Right front – 8 1/2", 2,000-watt dual element
 - Right rear – 6 1/2", 1,200-watt single element
- 45" wide model – 6 burners
 - Left front – 8 1/2", 2,000-watt dual element
 - Left rear – 6 1/2", 1,200-watt single element
 - Left center – 12", 3,200-watt triple element
 - Right center – 8 1/2", 2,000-watt dual element
 - Right front – 8 1/2", 2,000-watt dual element
 - Right rear – 6 1/2", 1,200-watt single element
- QuickCook™ Surface Elements utilize ribbon technology to reach full power in about three seconds
- High infrared transmission for fast cooking, regardless of the type of cookware used

Easy Operation and Cleanup

- Strong, wear-resistant glass ceramic surface with stainless steel frame offers excellent cleanability
- Durable metal die-cast knobs with child-proof, push-to-turn safety feature
- Customer-removable knobs for easy cleaning
- Overall/burner box dimensions designed to fit the majority of similarly sized cooktop cutouts

Finish

- Available in Stainless Steel/Black (SB), featuring black glass



Warranty Highlights

- One-year full – complete product
- Ninety-day full – cosmetic parts such as glass, painted items, and decorative items
- Five-year limited – surface burners



30" Wide Electric Cooktop



36" Wide Electric Cooktop



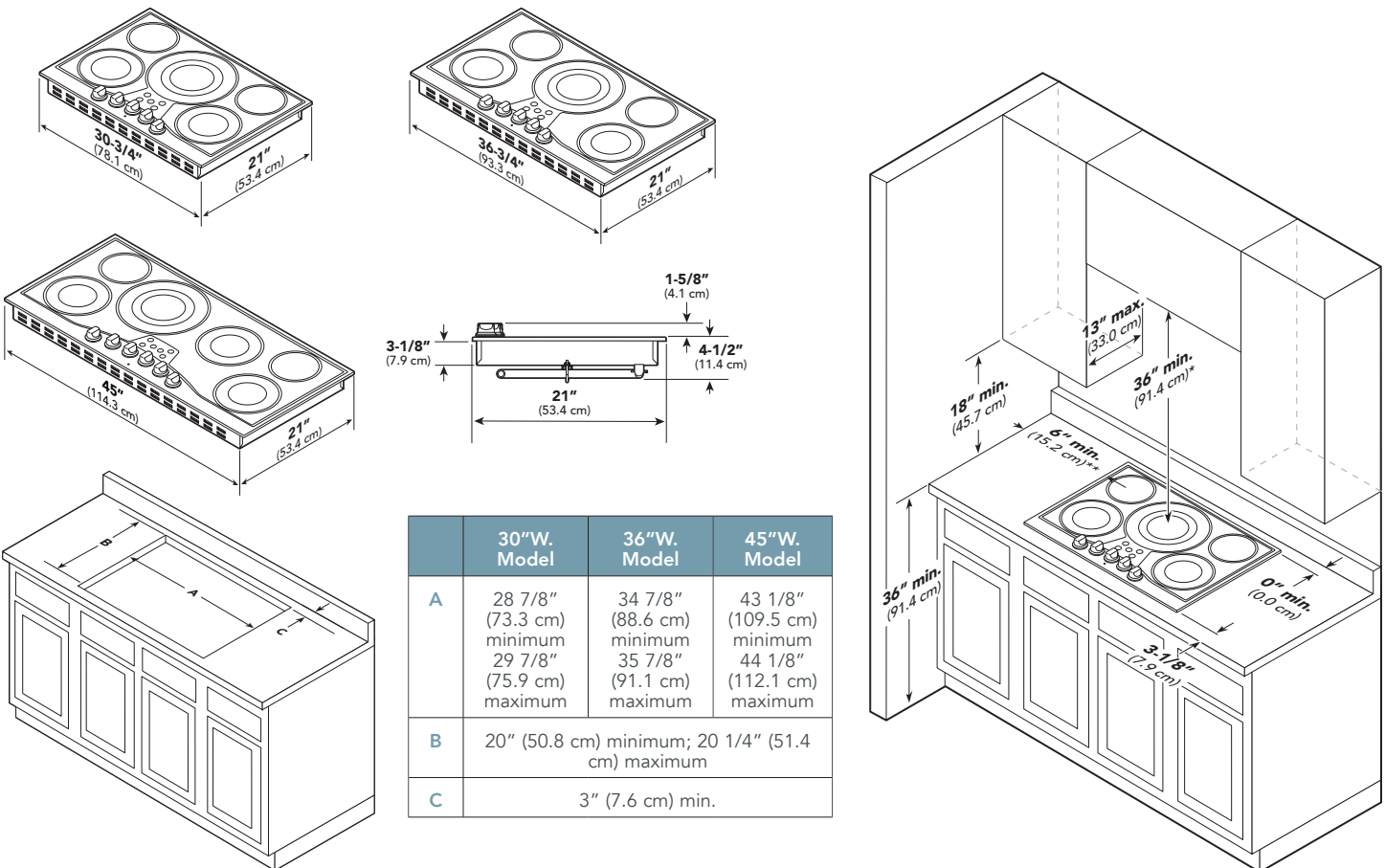
45" Wide Electric Cooktop

ELECTRIC COOKTOPS

RVEC330-5B – 30" WIDE / RVEC336-5B – 36" WIDE /
RVEC345-6B – 45" WIDE



DESCRIPTION	ELECTRIC 30", 36", AND 45" WIDE COOKTOPS		
	RVEC330-5B	RVEC336-5B	RVEC345-6B
Overall Width	30 3/4" (78.1 cm)	36 3/4" (93.3 cm)	45" (114.3 cm)
Overall Height	4 1/2" (11.4 cm)		
Overall Depth	21" (53.3 cm)		
Cutout Width	28 7/8" (73.3 cm) minimum 29 7/8" (75.9 cm) maximum	34 7/8" (88.6 cm) minimum 35 7/8" (91.1 cm) maximum	43 1/8" (109.5 cm) minimum 44 1/8" (112.1 cm) maximum
Cutout Height	3 1/8" (7.9 cm)		
Cutout Height with Conduit	4 1/8" (10.5 cm)		
Cutout Depth	20" (50.8 cm) minimum; 20 1/4" (51.4 cm) maximum		
Electrical Requirements	240-208/120VAC/60Hz; factory-installed, agency-approved 4 ft. (121.9 cm) flexible steel conduit 3-wire with ground included; rated 60-amp 125-250VAC minimum		
Maximum Amp Usage	240V – 40.0 amps 208V – 34.6 amps		240V – 48.3 amps 208V – 41.9 amps
Element Rating	Left Front – 2,000 watts Left Rear – 1,200 watts Center – 3,200 watts Right Front – 2,000 watts Right Rear – 1,200 watts	Left Front – 2,000 watts Left Rear – 1,200 watts Center – 3,200 watts Right Front – 2,000 watts Right Rear – 1,200 watts	Left Front – 2,000 watts Left Rear – 1,200 watts Left Center – 3,200 watts Right Center – 2,000 watts Right Front – 2,000 watts Right Rear – 1,200 watts
Approximate Shipping Weight	52 lb. (23.4 kg)	60 lb. (27.0 kg)	71 lb. (32.0 kg)



	30"W. Model	36"W. Model	45"W. Model
A	28 7/8" (73.3 cm) minimum 29 7/8" (75.9 cm) maximum	34 7/8" (88.6 cm) minimum 35 7/8" (91.1 cm) maximum	43 1/8" (109.5 cm) minimum 44 1/8" (112.1 cm) maximum
B	20" (50.8 cm) minimum; 20 1/4" (51.4 cm) maximum		
C	3" (7.6 cm) min.		



VIKING RANGE, LLC 111 FRONT STREET GREENWOOD, MISSISSIPPI 38930 USA

For detailed product information, model numbers, or to request a quote call 1-888-845-4641 or visit vikingrange.com
© 2013 Viking Range, LLC | Specifications subject to change without notice.