



Fridge-freezer combination dark brushed stainless steel RVB 477

RVB 477 790

Fully integrated panel ready.
Cutout width 30" (76.2 cm).
Cooling section with one door and one fully extendable freezing drawer.

Included accessories

- 1 egg holder with lid.
- 1 ice cube scoop.
- 2 oak wood bottle holder.
- 1 supply hose, 70 7/8" (1.8 m) with 1/4" male compression fitting (standard icemaker connector).
- 1 ACLETHRF10 Ethylene Absorber starter kit.
- 1 RA 450 022 - Activated charcoal water filter.

Installation accessories

RVB 421 720

Dark stainless steel door panels, with handles. For RVB 477.
Panel thickness 3/4".

RVB 428 720

Dark stainless steel door panels, handleless. For RVB 477.
Panel thickness 3/4".

RA 421 715

Stainless steel door panel.
For RVB 477, panel thickness 3/4".

RVB 423 141

Side trims used to conceal the gap between the appliance and adjacent cabinet.
2 pieces, for RVB and RVY.

RA 425 110

Accessory stainless steel handle for custom panel refrigerator door for RVY 497, with 3 mounts, length 44 1/2" (1,131mm).
Order quantity 2x required.

RA 425 710

Accessory stainless steel handle for custom panel freezer door.
For RB 472 with 2 mounts, length 25 7/8" (658 mm).

RVB 460 000

Accessory for side-by-side installation for RVB 477.

Optional accessories

RA 430 100

Storage container with transparent lid, anthracite.

Part #11031964

Egg holder insert (for use with RA 430 100).

RA 450 022

Activated charcoal water filter.

Part #11037377

Water filter bypass for home water filtration system.

RVB 438 040

Solid oak wood bottle support - set of 1.

RVB 450 220

Replacement activated charcoal air filter, set of 2 pcs.

ACLETHRF10

Ethylene absorber starter kit.

ACLETHST10

Ethylene absorber refill kit.

Highlights

- Dark brushed stainless steel interior, refined with solid anthracite aluminum elements.
- Warm white and glare-free LED light concept for optimal food presentation in all compartments.
- Push-to-open function on refrigerator and freezer for integration into handleless cabinet front.
- Flat dark brushed stainless steel inner door.
- Flexible positioning of shelves and door racks through hidden rail system.
- Solid anthracite aluminum door bins.
- Professional freshness system with 2 fresh climate drawers and 1 chilled drawer.
- Internal water dispenser with water filter.
- Integrated ice maker with fixed water connection.
- Spacious, fully extendable freezer compartment including 2 additional interior drawers.
- Full touch TFT display.
- ENERGY STAR® certified.
- Sabbath mode certified by Star-K.
- Net volume 16.7 cu. ft. (473 liters).

Handling

Opening assist for door.
Cushioned door closing system.
Light and display response to drawer interaction.
Automatic brightness adjustment based on ambient illumination.
Easy accessible full touch TFT display.
Clear text display in 42 languages.
Animated quick guides to assist appliance interaction.

Technical Features

Dynamic cold air distribution.
Automatic defrosting with defrost water evaporation.
Constant air purification by 2 activated charcoal air filters.
Sabbath mode certified by Star-K.
Open-door and malfunction warning system.

Selected digital services

(Home Connect)

Storage management with cameras.
Personalization function for saving custom programs.
Remote control and monitoring.
Remote diagnostics.

Cooling compartment

Internal water dispenser with water filter.
Professional freshness system.
No-Frost technology with fast cooling.
Temperature adjustable from 35 °F to 46 °F (+2 °C to +8 °C).
3 aluminum-framed safety glass shelves, individually adjustable in height.
1 integrated safety glass shelf with satin matte finish.
Optimal food presentation with warm white and glare-free, hidden LED light bars (3000 K).
Flexible positioning of door racks through hidden rail system.
6 door racks, thereof 4 height adjustable.
Total volume of all refrigerator compartments: 11.1 cu.ft.

Fresh climate drawer

2 fresh climate drawers with humidity control.
Temperature adjustable from 30 °F to 36 °F (-1 °C to +2 °C).
Ideal storage conditions for different foods through dedicated programs (e.g.

Fruit, Vegetables, Meat).

Individual adjustment of temperature and humidity.
Extended food preservation with ethylene absorber.
Indirect illumination, transparent front.
Fully extendable, with cushioned closing system.

Chilled drawer

Temperature dependent on cooling compartment (always 2-3 degrees lower).
Indirect illumination, transparent front.
Fully extendable, with cushioned closing system.

Freezer compartment No-frost technology with fast Freezing

at -15 °F (-30 °C).
Temperature adjustable from -11 °F to 3 °F (-24 °C to -16 °C).
Freezer burn protection.
Oxidation protection.
Storage time after a malfunction 10 h.
Spacious, fully extendable freezer compartment with synchronously running pull-out rails.
2 extendable interior drawers.
Warm-white, glare-free LED lighting (3000 K) within freezer compartment.
Net volume 5.6 cu.ft.

Ice maker

Integrated automatic ice maker in the freezer compartment, with fixed water connection.
Ice maker can be switched off independently.
Active charcoal water filter for water inlet, integrated in ventilation grill area.
Saturation indicator for filter via full touch TFT display.
Ice cube production approx. 5.5 lb (2.5 kg)/24 h.
Removable ice storage container with approx. 7 lbs. (3.2 kg) capacity.
Integrated, easy accessible ice cube scoop.

Consumption data

Energy consumption 560 kWh/year.
Noise level 39 dB(A) re 1 pW.

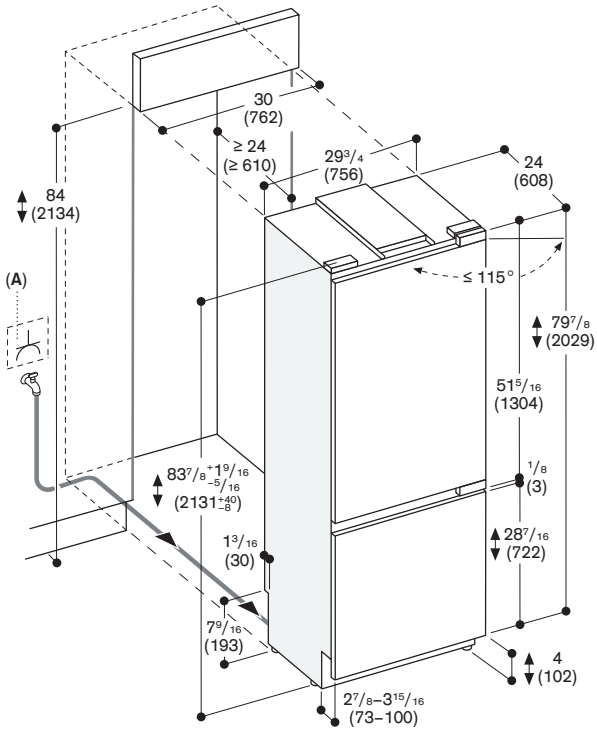
Planning notes

Flat hinge.
Door hinge right, reversible.
Door opening angle of 115°, fixable at 90°.
Max. door panel weight:
Door 90 lbs (41 kg).
Drawer 22 lbs (10 kg).
When sabbath mode is active, the appliance can only be opened using a handle.
Shut-off valve for water connection must be planned next to the appliance and always be accessible.
If the water pressure exceeds 116 psi (8 bar), connect pressure relief valve between water tap and hose set.

Connection

Total rating 1,540 W/24 h.
Total Amps: 10 A.
Connecting cable 118" (3.0 m), detachable.
Cold water connection required.
Electrical location 6" above ground in lower left corner of unit.
Supply hose 70 7/8" (1.8 m) with 1/4" male compression fitting (standard icemaker connector).
Water pressure 29 to 116 psi.





A: Outlet

The maximum door panel dimensions are based on a clearance of 1/8" (3 mm)

The height of the toe kick can be reduced to 2" (50 mm)

Measurements in inches (mm)