

# RT70F18LASR

SAMSUNG

18 cu. ft. Top Freezer Refrigerator  
with Ice Maker in Stainless Steel



## Signature Features

### All-Around Cooling

- Multi-vent technology keeps items evenly cooled on every shelf.

### Garage-Ready

- Designed to withstand wide fluctuations in external temperatures from 38°F to 110°F, ideal for a garage environment.

### Auto Ice Maker

- The automatic ice maker produces ice quickly and efficiently, ensuring that there's always a steady supply.\*

\* External filter not included.

## Available Color



Fingerprint Resistant  
Stainless Steel



All-Around Cooling



Garage-Ready

## Features

- AI Energy Mode
- All-Around Cooling
- Garage-Ready
- Wi-Fi Enabled
- ENERGY STAR® Compliant
- True No-Frost Technology
- Auto Ice Maker
- LED Top Lighting
- Vegetable Bins
- Dairy Bin

## Convenience

- Reversible Door
- Recessed Door Handle
- Sabbath Mode

## Rating



ENERGY STAR®-rated:  
446 kWh/yr



ADA Compliant

# RT70F18LASR

# SAMSUNG

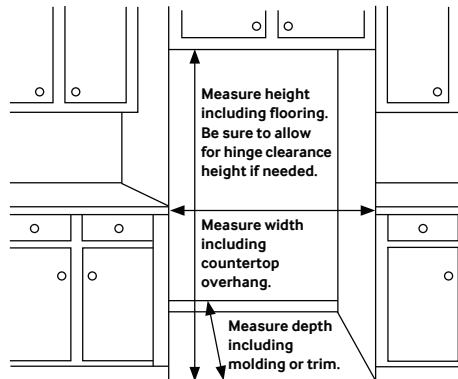
## 18 cu. ft. Top Freezer Refrigerator with Ice Maker in Stainless Steel

### Installation Specifications

1. Measure the height, width and depth of the opening, making sure to include baseboards, molding tile, countertop overhang, etc. Check to be sure there is enough room to open the door (consider walls, islands or other obstacles when measuring).
2. Refer to illustration below to determine dimensions.
3. Allow 2" of clearance on hinge side of refrigerator when installing next to a wall.
4. Allow 2" minimum clearance at rear for proper air circulation and water/electrical connections. Allow a 2" minimum clearance at sides and top for ease of installation.
5. Ensure each door and entryway in the home is wide enough for the refrigerator to be moved through easily.

For optimal usage and to be able to open refrigerator doors completely, do not install next to a wall.

Please note: The following dimension and cutout information is for planning purposes only. For complete installation details, consult manual packed with product, or download manual online at [samsung.com](http://samsung.com).



**Total Capacity: 17.5 cu. ft.**

**Refrigerator: 12.9 cu. ft.**

- Dairy Bin
- 2 Vegetable Bins
- LED Top Lighting

**Freezer: 4.6 cu. ft.**

- 1 Glass Shelf

### Warranty

One (1) Year Parts and Labor on Refrigerator  
Five (5) Years Parts and Labor on Sealed Refrigeration System Only\*  
Ten (10) Years Parts and Five (5) Years Labor on Digital Inverter Compressor

\*Compressor, evaporator, condenser, drier and connecting tubing.

### Product Dimensions & Weight

Dimensions (WxHxD with hinges and doors):  
27<sup>5</sup>/<sub>8</sub>" x 66<sup>7</sup>/<sub>8</sub>" x 31<sup>7</sup>/<sub>8</sub>"

Weight: 162 lbs.

### Shipping Dimensions & Weight (WxHxD)

Dimensions: 28<sup>3</sup>/<sub>4</sub>" x 70<sup>1</sup>/<sub>4</sub>" x 32<sup>3</sup>/<sub>4</sub>"

Weight: 165 lbs.

**Color**

Fingerprint Resistant  
Stainless Steel

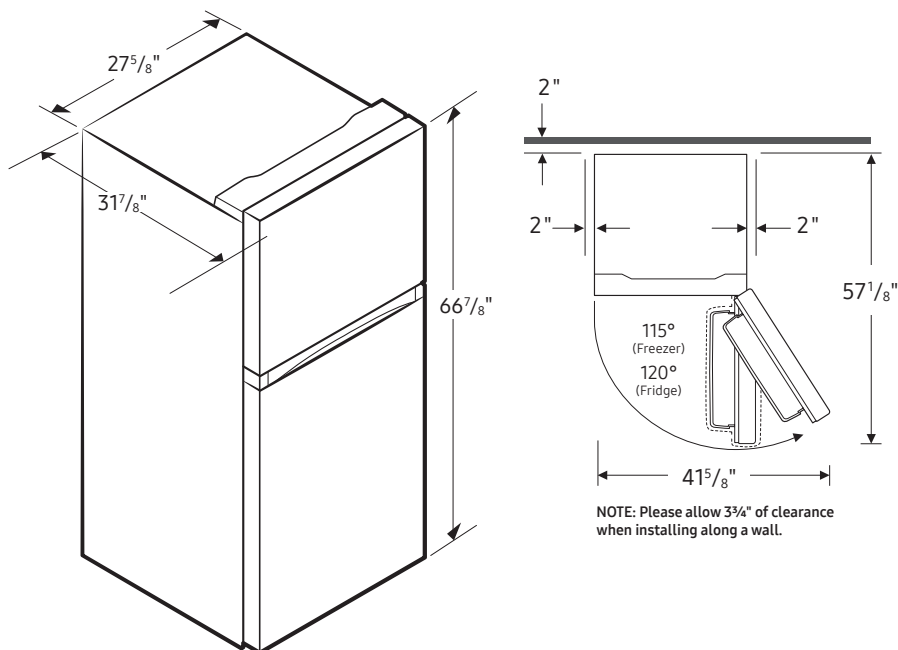
**Model #**

RT70F18LASR

**UPC Code**

887276937144

### Dimensions



Actual color may vary. Design, specifications, and color availability are subject to change without notice. Non-metric weights and measurements are approximate.

©2025 Samsung Electronics America, Inc. 85 Challenger Road, Ridgefield Park, NJ 07660. Tel: 800-SAMSUNG. [samsung.com](http://samsung.com). Samsung is a registered trademark of Samsung Electronics Co., Ltd.