



RF461705



1 x ice cube scoop
1 x connection set
1 x Ice storage container
large

RA448220:
Ice container, small, 90° door fixation

RA450022:
Water filter Vario 400

RA421615:
Stainless steel door with handle, 24" _US

RA423140:
Side trims, long

RA425110:
Vario SS handle 1131 mm

RA428615:
Stainless steel door w/o handle 24" _US

RA460012:
Heating side kit 110V

RA460020:
Frontpanel connection long

RA464616:
Ventilation grille 61cm /24" with filter

Vario freezer 400 series 24", soft close flat hinge RF461705

Stainless steel interior with solid anthracite aluminium elements

Warm white and glare-free LED light spots

Opening assist for door with two options:

1. Push-to-open function for integration into handleless furniture front 2. Pull-to-open function to facilitate opening the door using a handle

The drawers in the RC and RF models are positioned at the same height. With side-by-side installation, the glass shelves and door racks can be aligned on the same level

Material and aesthetics of interior as for RC model

- Glass shelves - Solid anthracite aluminium door racks

Flat stainless steel inner door, full-length

Almost invisible rail system for shelves and door racks for flexible positioning

Integrated ice maker with fixed inlet water connection

TFT touch display

Net volume 345 litres

Energy Star qualified

Handling

TFT touch display operation.

Clear text display.

Technical features

Dynamic cold air distribution.

Automatic defrosting with defrost water evaporation.

Cushioned door closing system.

Rest mode certified by Star-K.

When rest mode is active, the appliance can only be opened using a handle.

Open-door and malfunction alarm.

Selected digital services (Home Connect)

Remote control and monitoring.

Remote diagnostics.

Home network integration for digital services (Home Connect) wireless via WiFi.

The use of the Home Connect functionality depends on the Home Connect services, which are not available in every country. For further information please check: home-connect.com.

Freezing

No-frost technology with fast freezing at -30 °C.

Temperature adjustable from -24 °C to -14 °C.

4-star freezer compartment.

Freezing capacity 6.3 kg/24 h.

4 safety glass shelves, white glass, 3 of which are individually height adjustable.

2 fully extendable drawers with transparent front.

Brilliant LED light spots with warm white, glare-free light (3500 K).

Flat door rail system with fully flexible positioning of door racks.

4 height-adjustable door racks.

Ice maker

Integrated in the freezer compartment, with fixed water connection (inlet).

Particle filter for water inlet, integrated in ventilation grille area.

Saturation indicator shown in TFT touch display. Can be switched off.

Ice cube production approx. 1.3 kg/24 h.

Removable ice storage container with approx. 2.5 kg capacity.

Consumption data

Energy consumption 435 kWh /year.

Noise level 42 dB (re 1 pW).

Planning notes

Flat hinge.

Door hinge left, reversible.

Door opening angle of 115°, fixable at 90°.

In case of door opening angle of 90°, the drawers have restricted access and the standard ice storage container cannot be taken out. To make it possible it has to be exchanged for the small ice storage container (RA44822). This change must be done prior to fixing the door.

Max. door panel weight 41 kg.

Shut-off valve for water connection must be planned next to the appliance and always be accessible.

If the water pressure exceeds 0.8 MPa (8 bar), connect pressure relief valve between water tap and hose set.

Connection

Total connected load: 0.350 KW.

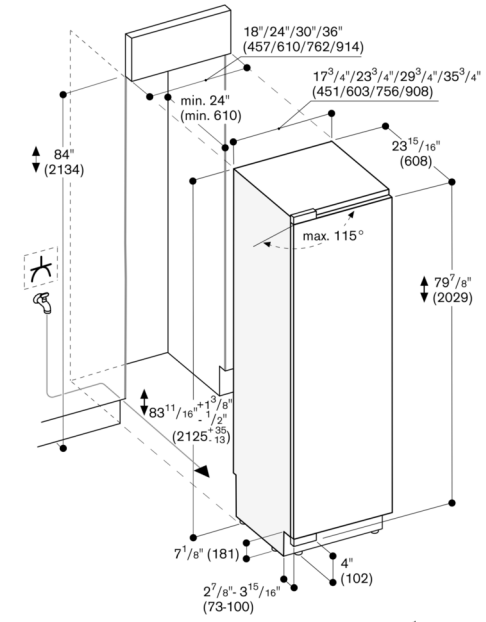
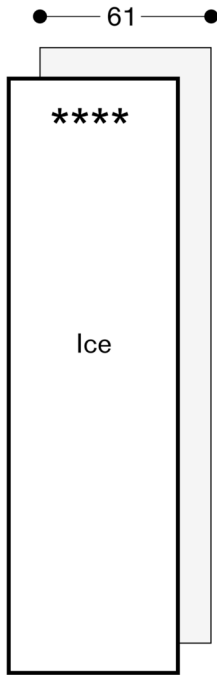
Total Amps: 10 A.

Connecting cable 3.0 m, pluggable.

Water inlet.

Supply hose 1.2 m with 3/4" connection.

Water pressure 2 to 8 bar.



The maximum door front dimensions are based on a clearance of (34mm).