



OUTDOOR REFRIGERATOR

Installation, Operation and Maintenance Instructions

RÉFRIGÉRATEUR D'EXTÉRIEUR

Instructions d'installation, d'utilisation et d'entretien



MODELS:
MODÈLES :
RF24RE3
RF24LE3

CONTENTS

Contents:

Safety information	2
Unpacking your appliance	3
Warranty registration	3
Installing your appliance	4
Cabinet clearances	4
Leveling the appliance	4
Electrical connection	5
Installing the anti-tip device	6
Product Dimensions	8
Using your Electronic control	10
Starting your appliance	10
Turning your appliance "ON" or "OFF"	10
Adjusting the temperature	10
Refrigerator operation	10
Alarms	10
Door ajar.....	10
Temperature sensor fault.....	10
High and Low temperature alarms.....	10
Shelving configurations	11
Care and cleaning	12
Long term storage / winterization	13
Stainless steel maintenance	14
Energy saving tips	14
Obtaining service	15
Troubleshooting	16
Warranty	17

Important Safety Instructions

Warnings and safety instructions appearing in this guide are not meant to cover all possible conditions and situations that may occur. Common sense, caution, and care must be exercised when installing, maintaining, or operating this appliance.

Recognize Safety Symbols, Words, and Labels.



WARNING

WARNING-You can be killed or seriously injured if you do not follow these instructions.



CAUTION

CAUTION-Hazards or unsafe practices which could result in personal injury or property / product damage.

NOTE

NOTE-Important information to help assure a problem free installation and operation.

State of California Proposition 65 Warnings:

WARNING: This product contains one or more chemicals known to the State of California to cause cancer.

WARNING: This product contains one or more chemicals known to the State of California to cause birth defects or other reproductive harm.

UNPACKING YOUR APPLIANCE



WARNING

EXCESSIVE WEIGHT HAZARD

Use two or more people to move product.
Failure to do so can result in personal injury.

Remove Interior Packaging

Your appliance has been packed for shipment with all parts that could be damaged by movement securely fastened. Remove internal packing materials and any tape holding internal components in place. The owners manual is shipped inside the product in a plastic bag along with the warranty registration card, and other accessory items.

Important

Keep your carton and packaging until your appliance has been thoroughly inspected and found to be in good condition. If there is damage, the packaging will be needed as proof of damage in transit. Afterwards please dispose of all items responsibly.



WARNING

WARNING - Dispose of the plastic bags which can be a suffocation hazard.

Note to Customer

This merchandise was carefully packed and thoroughly inspected before leaving our plant. Responsibility for its safe delivery was assumed by the retailer upon acceptance of the shipment. Claims for loss or damage sustained in transit must be made to the retailer.

NOTE

DO NOT RETURN DAMAGED MERCHANDISE TO THE MANUFACTURER - FILE THE CLAIM WITH THE RETAILER.



CAUTION

If the appliance was shipped, handled, or stored in other than an upright position for any period of time, allow the appliance to sit upright for a period of at least 24 hours before plugging in. This will assure oil returns to the compressor. Plugging the appliance in immediately may cause damage to internal parts.

A Message To Our Customers

Thank you for selecting this DCS Outdoor Refrigerator. Because of this appliances' unique features we have developed this Use and Care and Installation Guide. It contains valuable information on how to properly install, operate and maintain your new appliance for years of safe and enjoyable operation.

For your convenience, product questions can be answered by a DCS Customer Care Representative at 1-888-936-7872, or email: customer.care@fisherpaykel.com

NOTE: Please write the Model, Code, and Serial Number on this page for references (the serial plate is located on the upper left side, inner wall).

MODEL NUMBER:

CODE:

SERIAL NUMBER:

NOTE: Inspect the product to verify that there is no shipping damage. If any damage is detected, call the shipper and initiate a damage claim. DCS by Fisher & Paykel is not responsible for shipping damage.

DO NOT discard any packing material (box, pallet, straps) until the unit has been inspected.



WARNING

WARNING - Help Prevent Tragedies

Child entrapment and suffocation are not problems of the past. Junked or abandoned refrigerators are still dangerous - even if they sit out for "just a few hours".

If you are getting rid of your old refrigerator, please follow the instructions below to help prevent accidents.

Before you throw away your old refrigerator or freezer:

- Take off the doors or remove the drawers.
- Leave the shelves in place so children may not easily climb inside.

INSTALLING YOUR APPLIANCE

Select Location

The proper location will ensure peak performance of your appliance. We recommend a location where the unit will be out of direct sunlight and away from heat sources. To ensure your product performs to specifications, the recommended installation location temperature range is from 55 to 115°F (13 to 46°C).

Cabinet Clearance

Ventilation is required from the bottom front of the appliance. Keep this area open and clear of any obstructions. Adjacent cabinets and counter top can be installed around the appliance as long as the front grille remains unobstructed.

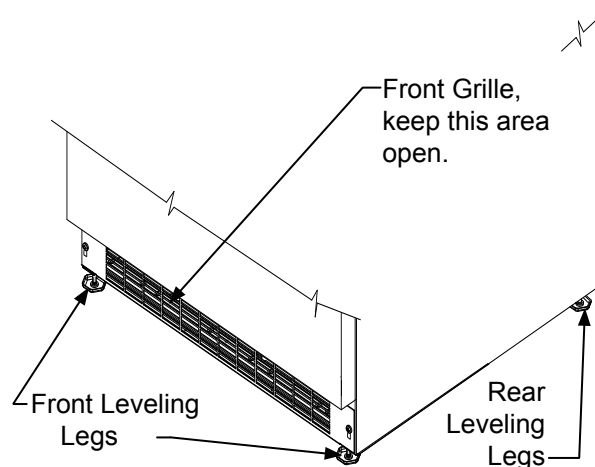


Figure 1



CAUTION

Front Grille

Do not obstruct the front grille. The openings within the front grille allow air to flow through the condenser heat exchanger. Restrictions to this air flow will result in increased energy usage and loss of cooling capacity. For this reason it is important this area not be obstructed and the grille openings kept clean (See Figure 1). The use of a custom made grille is not recommended as it may restrict air flow.

Leveling Legs

Adjustable legs at the front and rear corners of the appliance should be set so the unit is firmly positioned on the floor and level from side to side and front to back. The overall height of your appliance may be adjusted between the minimum, 33 $\frac{3}{4}$ " (85.7 cm), by turning the leveling leg in (CW ↻) and the maximum, 34 $\frac{3}{4}$ " (88.3 cm) by turning the leveling leg out (CCW ↻).

To adjust the leveling legs, place the appliance on a solid surface and protect the floor beneath the legs to avoid scratching the floor. With the assistance of another person, lean the appliance back to access the front leveling legs. Raise or lower the legs to the required dimension by turning the legs. Repeat this process for the rear by tilting the appliance forward using caution. On a level surface check the appliance for levelness and adjust accordingly.

The front grille screws may be loosened and the grille adjusted to the desired height. When adjustment is complete tighten the two front grille screws. (See Figure 2).

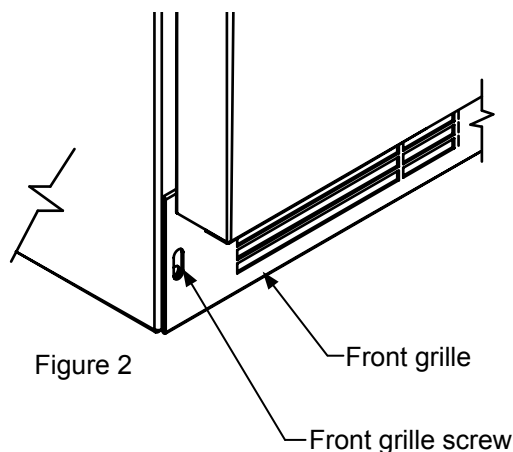


Figure 2

INSTALLING YOUR APPLIANCE

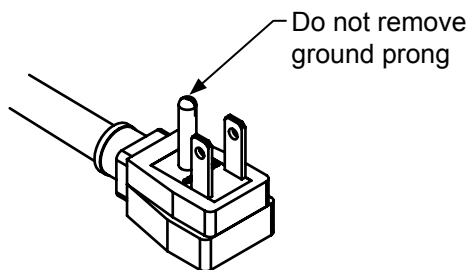


Figure 3

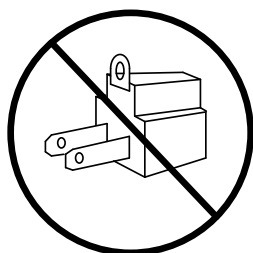


Figure 4

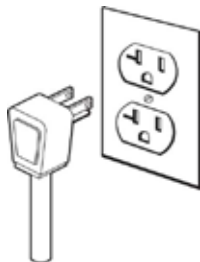


Figure 5

WARNING

Electrical Shock Hazard

- Do not use an extension cord with this appliance. They can be hazardous and can degrade product performance.
- This appliance should not, under any circumstances, be installed to an un-grounded electrical supply.
- Do not remove the grounding prong from the power cord. (See Figure 3).
- Do not use an adapter. (See Figure 4).
- Do not splash or spray water from a hose on the appliance. Doing so may cause an electrical shock, which may result in severe injury or death.

Electrical Connection

A grounded 115 volt, 15 amp dedicated circuit is required.

This product is factory equipped with a power supply cord that has a three-pronged, grounded plug. It must be plugged into a mating grounding type receptacle in accordance with the National Electrical Code and applicable local codes and ordinances (see Figure 5). If the circuit does not have a grounding type receptacle, it is the responsibility and obligation of the customer to provide the proper power supply. The third ground prong should not, under any circumstances, be cut or removed.

NOTE

Ground Fault Circuit Interrupters (GFCI) are prone to nuisance tripping which will cause the appliance to shut down. GFCI's are generally not used on circuits with power equipment that must run unattended for long periods of time, unless required to meet local building codes and ordinances.

INSTALLING THE ANTI TIP DEVICE FOR FREESTANDING INSTALLATIONS

! WARNING



- ALL APPLIANCES CAN TIP RESULTING IN INJURY.



- INSTALL THE ANTI-TIP BRACKET PACKED WITH THE APPLIANCE.
- FOLLOW THE INSTRUCTIONS BELOW

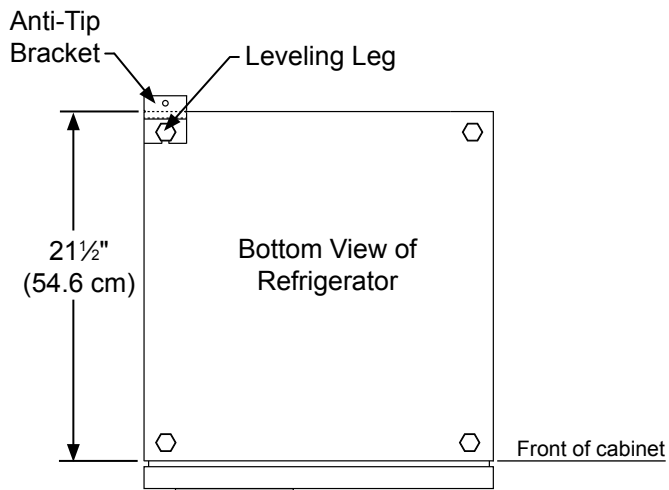


Figure 6

Anti-Tip Device

! WARNING

If your refrigerator is not located under a counter top (free standing), you must use an anti-tip device installed as per these instructions. If the refrigerator is removed from its location for any reason, make sure that the device is properly engaged with the anti-tip bracket when you push the refrigerator back into the original location. If the device is not properly engaged, there is a risk of the refrigerator tipping over, with the potential for property damage or personal injury.

NOTE

If installing on a concrete floor, concrete fasteners are required, (not included with the anti-tip kit).

! CAUTION

Any finished flooring should be protected with appropriate material to avoid damage when moving the unit.

Floor Mount Installation

The anti-tip bracket is to be located on the floor in the left or right rear corner of the refrigerator as shown in Figure 6.

Step by step instructions for locating the position of the bracket:

1) Decide where you want to place the refrigerator. Slide it into place, being careful not to damage the floor, leaving 1" (2.5 cm) of clearance from the rear wall to allow room for the anti-tip bracket.

2) Raise the rear leveling legs approximately $\frac{1}{4}$ " (6 mm) to allow engagement with the anti-tip bracket. Level the unit by adjusting all the leveling legs as required. Turning the leveling leg counterclockwise will raise the unit and clockwise will lower the unit.

3) Make sure the refrigerator is in the desired location, then mark on the floor the rear and side corner of the cabinet where the anti-tip bracket will be installed. If the installation does not allow marking the rear corner of the cabinet, then make temporary lines on the floor marking the front corner of the cabinet, excluding the door. Slide the refrigerator out of the way. From the temporary line extend the sidewall line back $21\frac{1}{2}$ " (54.6 cm) as shown in Figure 7.

4) Align the anti-tip bracket to the marks on the floor so the side of the bracket lines up with the side of the cabinet mark, and the "V" notches on the anti-tip bracket line up with the end of the $21\frac{1}{2}$ " (54.6 cm) line (Rear of cabinet line).

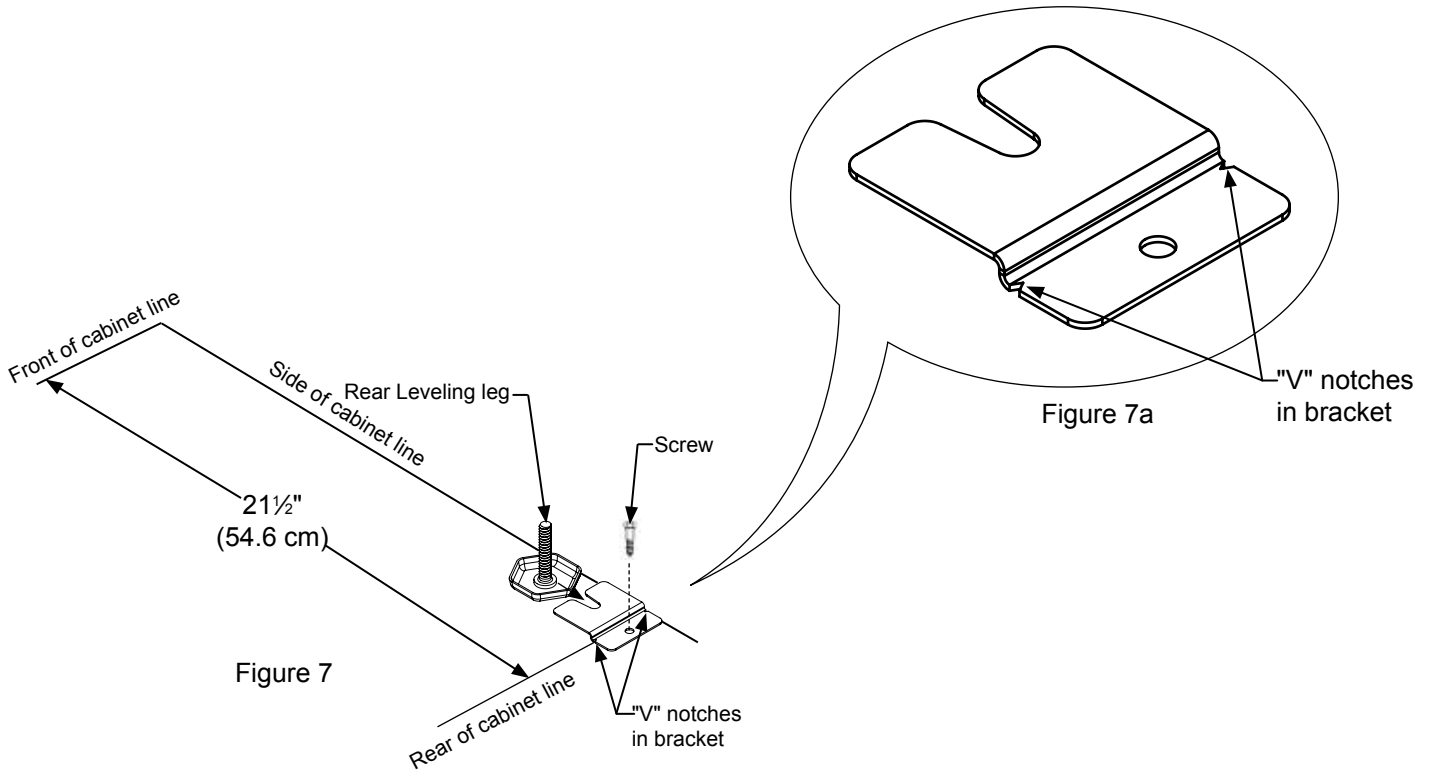
5) Fasten the anti-tip bracket to the floor using the supplied screw. (See Figure 7).

6) Slide the cabinet back into position, making sure the rear cabinet leveling leg slides under the anti-tip bracket engaging the slot.

INSTALLING THE ANTI TIP DEVICE FOR FREESTANDING INSTALLATIONS

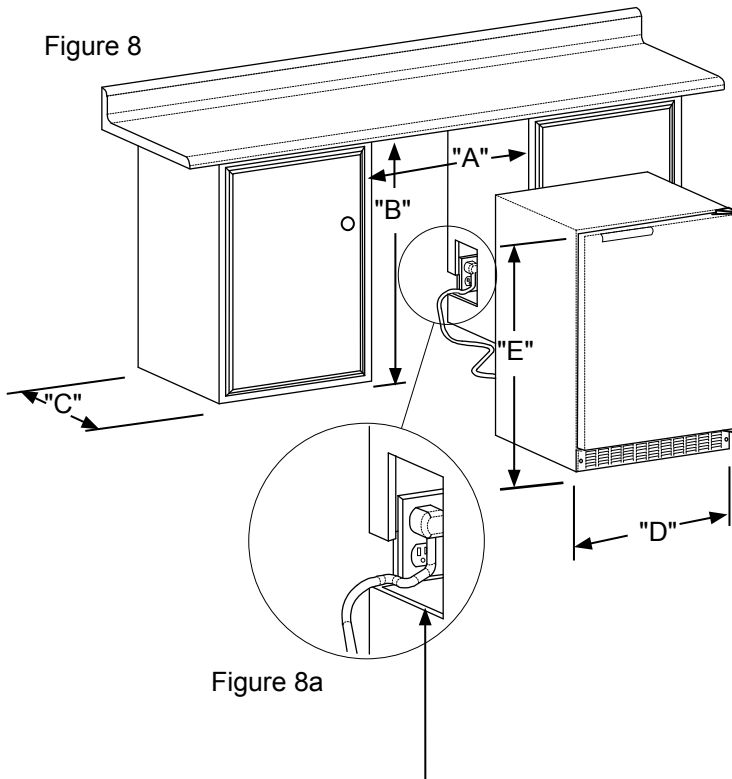
NOTE

When the floor mounted anti-tip bracket is used the minimum adjusted height of the cabinet is increased by $\frac{3}{8}$ " (9 mm).



PRODUCT DIMENSIONS

MODEL	ROUGH-IN OPENING DIMENSIONS			CABINET DIMENSIONS					
	"A"	"B"	"C"	"D"	"E"	"F"	"G"	"H"	"J"
RF24RE3 RF24LE3	24 $\frac{1}{4}$ " (61.6 cm) 24 $\frac{1}{2}$ " (62 cm) (with optional DCS side trim kit)	**34" to 35" (86.4 to 88.9 cm)	*	23 $\frac{7}{8}$ " (60.7 cm)	33 $\frac{3}{4}$ " to 34 $\frac{3}{4}$ " (85.7 to 88.3 cm)	23 $\frac{23}{32}$ " (60.2 cm)	26 $\frac{7}{32}$ " (66.6 cm)	46 $\frac{13}{32}$ " (117.9 cm)	26 $\frac{1}{4}$ " (66.7 cm)



If necessary to gain clearance inside the rough-in opening a hole can be cut through the adjacent cabinet and the power cord routed through this hole to a power outlet. Another way to increase the available opening depth is to recess the power outlet into the rear wall to gain the thickness of the power cord plug.

* Depth dimension of rough-in opening may vary depending on each individual installation. To recess entire door "F" dimension plus 1" (2.5 cm) for thickness of power cord plug is required.

** Minimum rough-in opening required is to be larger than the adjusted height of the cabinet.

*** A grounded 15 amp dedicated circuit is required. Follow all local building codes when installing electrical and appliance.

PRODUCT DIMENSIONS

PRODUCT DATA		
MODEL	ELECTRICAL REQUIREMENTS ***	PRODUCT WEIGHT
RF24RE3 RF24LE3	115V/60Hz/15A	140 lbs (63.6 kg)

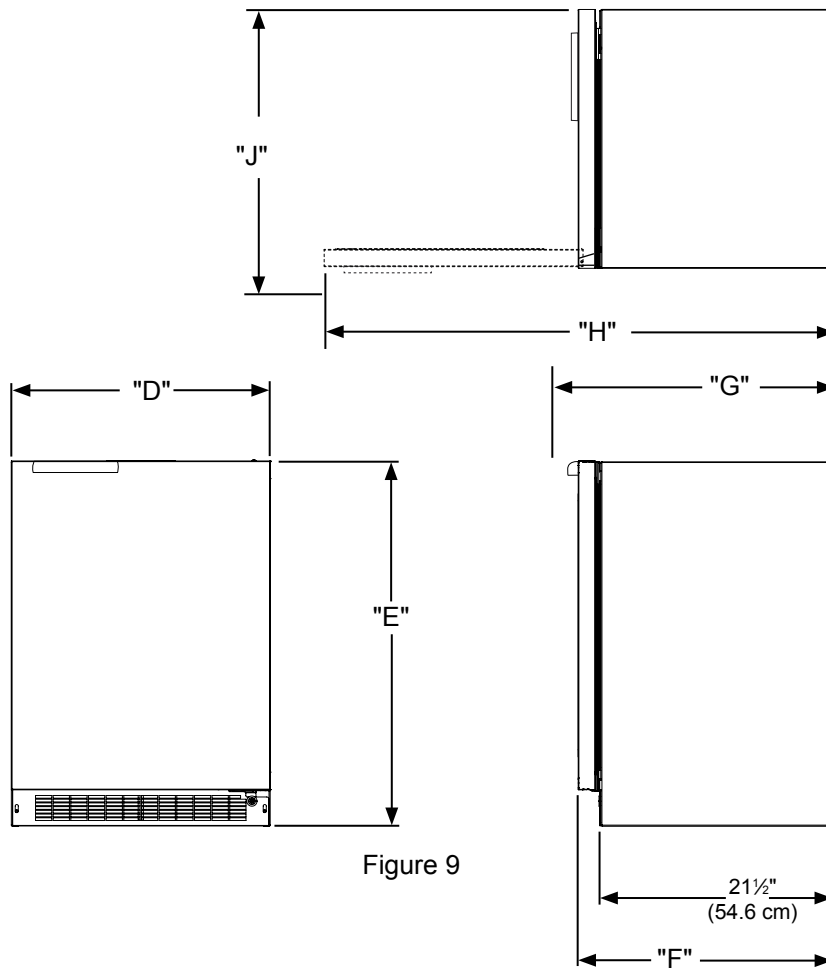


Figure 9



WARNING

Floor mount Anti-tip Bracket must be installed for freestanding applications. Not required for built in applications.

USING YOUR ELECTRONIC CONTROL

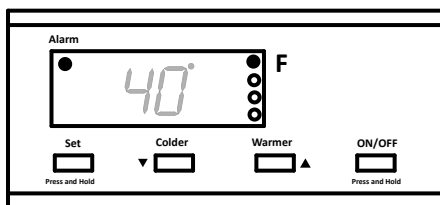


Figure 10
close-up of
control

Starting your refrigerator

Plug the refrigerator power cord into a wall outlet. Your refrigerator will begin cooling after power is applied.

If your refrigerator does not start, check that the refrigerator is turned on and the set temperature is cold enough.

Turning your refrigerator ON or OFF

If the refrigerator is on, the refrigerator temperature will be shown on the display. To turn the refrigerator off, press and hold the "ON/OFF" button for three seconds. "OFF" will appear on the display.

If the refrigerator is not on, "OFF" will be shown on the display. To turn the refrigerator on, press and hold the "ON/OFF" button for three seconds. The refrigerator temperature will be shown on the display.

Set temperature

To set the refrigerator temperature, press and hold the "SET" button. When the "SET" button is pressed, the display will show the set temperature. While holding the "SET" button, press the "WARMER" or "COLDER" buttons to adjust set temperature.

Refrigerator operation

The available temperature range of the refrigerator is 34° to 42°F (1° to 6°C).

It may take up to 24 hours for your refrigerator to reach desired temperature. This will depend on amount of content loaded and number of door opening and closings.

For best results allow refrigerator to "pull down" to desired set temperature before loading. Once contents are loaded, allow at least 48 hours for temperature to stabilize before making any adjustments to the set temperature.

Alarms

Your digital display function will monitor refrigerator function and alert you with a series of audible and visual alarms.



- **Door Ajar Alarm:** If the door has been left open for over five minutes, the alarm will sound in one second intervals. The display panel will flash "do" and the Alarm LED located at the top left of the display below the word "Alarm" will be illuminated. This will stop as soon as the door is closed.



- **Temperature Sensor Fault:** If the controller detects that the temperature sensor is not properly functioning, a temperature sensor alarm will sound in one second intervals. "E1" will flash on the display panel and the Alarm LED located at the top left of the display below the word "Alarm" will be illuminated.



- **High and Low Temperature Alarm:** If your unit reaches an unacceptable temperature outside of your set-point, the alarm will sound in (1) second intervals. The display panel will flash either "Hi" or "Lo" depending upon the condition and the Alarm LED light at the top left of the display below the word "Alarm" will be illuminated. These alarms indicate that the compartment temperature has moved 10° or more from the set point for more than 1 hour duration. The alarm will remain active until the condition is corrected.



NOTE

During initial appliance start-up, the high temperature alarm may sound until the interior temperature reaches set point. The high temperature alarm can also occur if the door remains open during an extended period of time (i.e. cleaning or door ajar alarm condition), high usage or loading with warm product. After a high temperature alarm condition check all perishables to ensure they are safe for consumption.

Alarm Mute

Press any key to mute the audible portion of an alarm.

NOTE

This action will only mute the alarm. If the condition that caused the alarm continues, the alarm code will continue to flash and will sound for 20 seconds every 60 minutes.

INTERNAL LAYOUT

Loading Tips and Suggestions

Your appliance is equipped with a cantilever shelf system which provides maximum adjust ability and customizing of the shelving arrangements listed below.

Refrigerator:

24" (61 cm) Wide Models:

With a solid door. Figure 11.

Your product comes with:

- 1 half width perforated stainless steel cantilever shelf.
- 2 full width perforated stainless steel cantilever shelves.
- 1 half width door storage rack.
- 2 full width door storage racks.

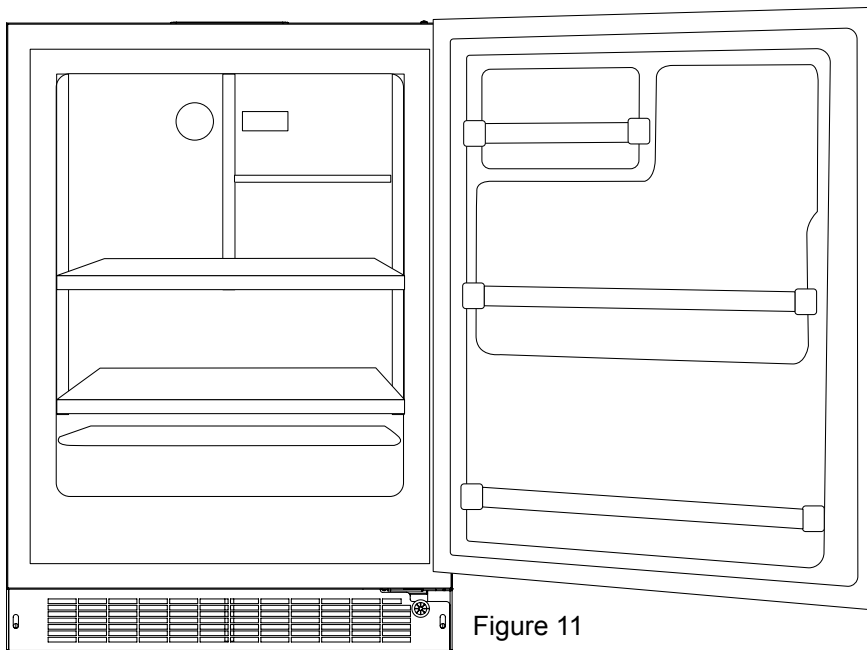


Figure 11

To Add or Remove a Shelf

Remove stored product from the shelf. Do not try to remove a loaded shelf from the appliance. Grasp the shelf front with both hands, rotate the front upward and lift out. (See Figure 11). To install a shelf insert the shelf in the appliance and insert the top hooks into the shelf support slots and drop the shelf down so the hooks drop over the bottom of the slots.



Never try to move a loaded shelf, remove everything from the shelf before moving. Use both hands when moving the shelf.



Make sure your cantilever shelf is secure on the shelf supports by pressing down on the shelf before loading.

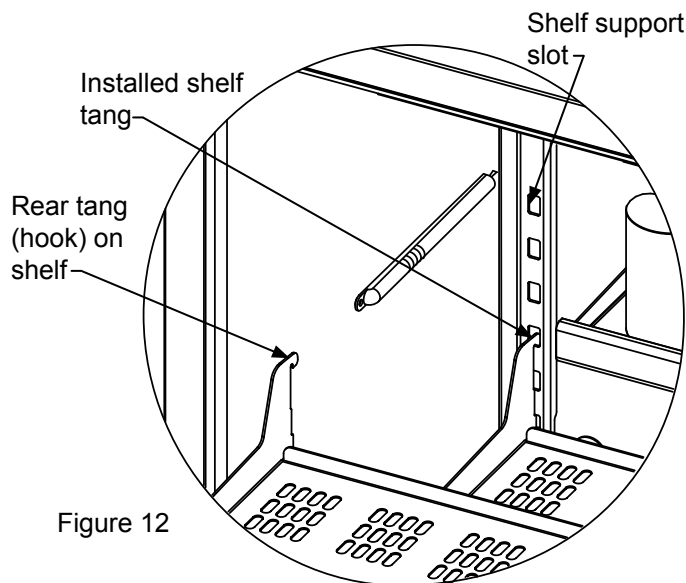


Figure 12

CARE AND CLEANING

Front Grille

Be sure that nothing obstructs the required air flow openings in front of the cabinet. At least once or twice a year, brush or vacuum lint and dirt from the front grille area (see page 4).



CAUTION

SHOCK HAZARD: Disconnect electrical power from the appliance before cleaning with soap and water.

Cabinet

The stainless steel cabinet can be washed with mild soap and water and thoroughly rinsed with clean water. See "Stainless Steel Maintenance" on page 14.

Interior

Wash interior compartment with mild soap and water. Do NOT use an abrasive cleaner, solvent, polish cleaner or undiluted detergent.

Care of Appliance

1. Avoid leaning on the door, you may bend the door hinges or tip the appliance.
2. Exercise caution when sweeping, vacuuming or mopping near the front of the appliance. Damage to the grille can occur.
3. Periodically clean the interior of the appliance as needed.

In the Event of a Power Failure

If a power failure occurs, try to correct it as soon as possible. Minimize the number of door openings while the power is off so as not to adversely affect the appliance's temperature.

Light assembly replacement

All models use LED lamps to illuminate the interior of the appliance. This component is very reliable, but should one fail, contact a qualified service technician for replacement of the LED.

CARE AND CLEANING

Outdoor Product Long-Term Storage /

Winterization:

1. Time to Winterize, when the daily low ambient temperature is at or below 38°F (3.3°C).



CAUTION

Operation of the unit at ambient temperatures below the recommended Winterization temperature will void your warranty.

2. Turn unit off, (see page 10)
3. Remove all contents.
4. If necessary, move the unit so you can gain access to the rear of the product.
5. Unplug the unit from the power outlet.
6. It is also recommended that the power to the outlet be turned-off if the circuit is not required for other items during the Winter season.
7. When cleaning unit pay particular attention to any cracks and crevices that may have accumulated dirt and debris.
8. Remove the front toe-grille, and use a brush and vacuum to clean dirt and debris from beneath the unit.
9. Thoroughly clean the toe-grille and re-install on the unit.
10. Remove the rear access cover, and use a brush and vacuum to clean dirt and debris from the machine compartment.
 - If the plastic defrost drain pan located under the compressor contains water, use a sponge to remove as much water as possible.
11. Thoroughly clean the rear access cover and re-install on the unit.
12. Wipe down all interior surfaces with anti-bacterial cleaner to be followed with clean rinse water to remove any residual chemicals which could cause staining. Do not use any abrasive cleaners or scouring pads.
13. Leave the door open and allow to completely dry out before closing the door.
14. Thoroughly clean the door gasket with anti-bacterial cleaner to be followed with clean rinse water to remove any residual chemicals.
15. Thoroughly clean the exterior with a cleaner approved for stainless steel. Do not use any abrasive cleaners or scouring pads. See "Stainless Steel Maintenance" on page 14.
16. Any mounting hardware / fasteners that are showing signs of corrosion should be replaced.

17. Once the exterior has been thoroughly cleaned, you may want to apply a coating of car wax to help protect against spotting from moisture, dirt, and debris that may accumulate on the surfaces during the Winterization period.

After completion of the above, you may choose to store the unit indoors, although this is not required.

Start-Up After Long-Term Storage:

1. If stored outside, it is recommended that the unit again be thoroughly inspected per the storage instructions above to address any dirt or debris from the weather and/or animals/insects.
2. Connect the unit to electrical power.
3. Turn unit on and confirm your desired control settings.
4. Allow 24-hrs for the unit to stabilize before loading contents.

STAINLESS STEEL MAINTENANCE AND ENERGY SAVING TIPS

Background

Stainless steel does not stain, corrode, or rust as easily as ordinary steel, but it is not stain or corrosion proof. Stainless steels can discolor or corrode if not maintained properly.

Stainless steels differ from ordinary carbon steels by the amount of chromium present. It is this chromium that provides an invisible protective film on the surface called chrome-oxide. This protective chrome-oxide film on the surface can be damaged or contaminated, which may result in discoloration, staining, or corrosion of the base metal.

Care & Cleaning

Routine cleaning of the stainless steel surfaces will serve to greatly extend the life of your product by removing contaminants. This is especially important in coastal areas which can expose the stainless to severe contaminants such as halide salts, (sodium chloride).

It is strongly recommended to periodically inspect and thoroughly clean crevices, weld points, under gaskets, rivets, bolt heads, and any locations where small amounts of liquid could collect, become stagnant, and concentrate contaminants. Additionally, any mounting hardware that is showing signs of corrosion should be replaced.

Frequency of cleaning will depend upon the installation location, environmental, and usage conditions.

Choosing a Cleaning Product

The choice of a proper cleaning product is ultimately that of the consumer, and there are many products from which to choose. Depending upon the type of cleaning and the degree of contamination, some products are better than others.

Typically the most effective and efficient means for routine cleaning of most stainless steel products is to give the surfaces a brisk rubbing with a soft cloth soaked in warm water and a gentle detergent, or mild mixture of ammonia. Rubbing should, to the extent possible, follow the polish lines of the steel, and always insure thorough rinsing after cleaning.

Although some products are called "stainless steel cleaners," some may contain abrasives which could scratch the surface, (compromising the protective chrome-oxide film), and some many contain chlorine bleach which will dull, tarnish or discolor the surface if not completely removed.

After the stainless surfaces have been thoroughly cleaned, a good quality car wax may be applied to help maintain the finish.

Note: Stainless steel products should never be installed, or stored in close proximity to chlorine chemicals.

Whichever cleaning product you chose, it should be used in strict accordance with the instructions of the cleaner manufacturer.

Energy saving tips:

The following suggestions will minimize the cost of operating your refrigeration appliance.

1. Do not install your appliance next to a hot appliance (cooker, dishwasher, etc.), heating air duct, or other heat sources.
2. Install product out of direct sunlight.
3. Ensure the front grille vents at front of appliance beneath door are not obstructed and kept clean to allow ventilation for the refrigeration system to expel heat.
4. Plug your appliance into a dedicated power circuit. (Not shared with other appliances).
5. When initially loading your new product, or whenever large quantities of warm contents are placed within refrigerated storage compartment, minimize door openings for the next 12 hours to allow contents to pull down to compartment set temperature.
6. Maintaining a relatively full storage compartment will require less appliance run time than an empty compartment.
7. Ensure door closing is not obstructed by contents stored in your appliance.
8. Allow hot items to reach room temperature before placing in product.
9. Minimize door openings and duration of door openings.
10. Use the warmest temperature control set temperature that meets your personal preference and provides the proper storage for your stored contents.
11. When on vacation or away from home for extended periods, set the appliance to warmest acceptable temperature for the stored contents.
12. Set the control to the "off" position if cleaning the appliance requires the door to be open for an extended period of time.

OBTAINING SERVICE

How to Obtain Service:

For warranty service, please contact your local service provider or DCS Customer Care at (888) 936-7872. Before you call, please have the following information ready:

- Model Number (the serial plate is located on the upper left side, inner wall).
- Serial Number (the serial plate is located on the upper left side, inner wall).
- Code (the serial plate is located on the upper left side, inner wall).
- Date of installation
- A brief description of the problem

Your satisfaction is of the utmost importance to us. If a problem cannot be resolved to your satisfaction, please write or email us at:

Write:

Fisher & Paykel and DCS
Appliances Inc
695 Town Centre Drive, Suite #180 Costa Mesa
CA 92626-1902
USA

Email:

customer.care@fisherpaykel.com

Before You Call for Service:

Check troubleshooting on page 16.

TROUBLESHOOTING

Before You Call for Service

If the appliance appears to be malfunctioning, read through this manual first. If the problem persists, check the troubleshooting guide below. Locate the problem in the guide and refer to the cause and its remedy before calling for service. The problem may be something very simple that can be solved without a service call. However, it may be required to contact your dealer or a qualified service technician.



WARNING

Electrocution Hazard

- Never attempt to repair or perform maintenance on the appliance until the main electrical power has been disconnected. Turning the appliance control "OFF" does not remove electrical power from the unit's wiring.
- Replace all parts and panels before operating.

Problem	Possible Cause	Remedy
Appliance not cold enough (See "Adjusting the temperature" on page 10)	• Control set too warm	• Adjust temperature colder. Allow 24 hours for temperature to stabilize.
	• Content temperature not stabilized.	• Allow temperature to stabilize for at least 24 hours.
	• Excessive usage or prolonged door openings.	• Airflow must not be obstructed to front grille. See "clearances" on page 4.
	• Airflow to front grille blocked.	• Replace door gasket.
Appliance too cold (See "Adjusting the Temperature" on page 10)	• Door gasket not sealing properly.	• Adjust temperature warmer. Allow 24 hours for temperature to stabilize.
	• Control set too cold	• Replace door gasket.
No interior light.	• Failed LED light assembly or light switch.	• Contact a qualified service technician.
Light will not go out when door is closed	• Display light is turned on. (Glass door models only).	• Turn off display light, shut door.
	• Door not activating light switch.	• Appliance not level, level appliance, (See page 4, "leveling legs")
	• Failed light switch	• Contact a qualified service technician.
Noise or Vibration	• Appliance not level	• Level appliance, see "Leveling Legs" on page 4.
	• Fan hitting tube obstruction.	• Contact a qualified service technician.
Appliance will not run.	• Appliance turned off	• Turn appliance on. See "Starting your appliance" on page 10.
	• Power cord not plugged in.	• Plug in power cord.
	• No power at outlet.	• Check house circuit.

WARRANTY

Limited Warranty

When you purchase any new DCS Refrigeration Product, you automatically receive a Two Year Limited Warranty covering parts and labor for servicing within the 48 mainland United States, Hawaii, Washington, D.C. and Canada. In Alaska the Limited Warranty is the same except that you must pay to ship the Product to the service shop or for the service technician's travel to your home. Products for use in Canada must be purchased through the authorized Canadian distribution channel to ensure regulatory compliance.

You receive an additional Three Year Limited Warranty (for a total of Five Years) covering parts for the sealed refrigeration system (compressor, evaporator, condenser, filter dryer, and connecting tubing) within the 48 mainland United States, Hawaii, Washington, D.C. and Canada. In Alaska the Limited Warranty for the sealed refrigeration system is the same except that you must pay to ship the Product to the service shop or the service technician's travel to your home.

If the product is installed in a motor vehicle, boat or similar mobile facility, you receive the same two year warranty, but you must bring the vehicle, boat or mobile facility containing the product to the service shop at your expense or pay the service technicians to travel to the location of the product.

Fisher & Paykel Undertakes to:

Repair without cost, with limited expectations described herein, to the owner either for material or labor any part of the Product, the serial number of which appears on the Product, which is found to be defective. In Alaska, you must pay to ship the Product to the service shop or for the service technician's travel to your home.

If we are unable to repair a defective part of the Product after a reasonable number of attempts, at our option we may replace the part or the Product, or we may provide you a full refund of the purchase price of the Product (not including installation or other charges).

This warranty extends to the original purchaser and any succeeding owner of the Product during the term of warranty for products purchased for ordinary single-family home use.

All service under this Limited Warranty shall be provided by Fisher & Paykel Appliances Inc. or its Authorized DCS Service Agent during normal business hours.

There is no warranty for commercial purchase or use.

Limited Warranty

How Long Does this Limited Warranty Last?

Our liability under this Limited Warranty expires Two Years from the date of purchase of the Product by the first consumer.

Our liability for repair of defects in any sealed refrigeration system (compressor, evaporator, condenser, filter dryer, and connecting tubing) extends an additional Three Years, for a total of Five Years from the date of purchase of the Product by the first consumer.

Our liability under any implied warranties, including the implied warranty of merchantability (an unwritten warranty that the Product is fit for ordinary use) also expires Two Years (or such longer period as required by applicable law) from the date of purchase of the Product by the first consumer. Some states do not allow limitations on how long an implied warranty lasts, so this limit on implied warranties may not apply to you.

Fisher & Paykel will honor any warranty required by the law of the particular country or state in which the product is sold.

This Warranty Does Not Cover

- A. Service calls that are not related to any defect in the Product. The cost of a service call will be charged if the problem is not found to be a defect of the Product. For example:
 1. Correct faulty installation of the Product.
 2. Instruct you how to use the Product.
 3. Replace house fuses, reset circuit breakers, correct house wiring or plumbing, or replace light bulbs.
 4. Correct fault(s) caused by the user.
 5. Change the set-up of the Product.
 6. Unauthorized modifications of the Product.
 7. Noise and vibration that is considered normal e.g. drain sounds, regeneration noises and user warning beeps.
 8. Correcting damage caused by pests e.g. rats, cockroaches etc.
 9. Used in commercial applications.
- B. Defects caused by factors other than:
 1. Normal domestic use or
 2. Use in accordance with the Product's Use and Care Guide.

WARRANTY

- C. Defects to the Product caused by accident, neglect, misuses, fire, flood or Act of God.
- D. The cost of repairs carried out by non-authorized repairers or the cost of correcting such unauthorized repairs.
- E. Travel Fees and associated charges incurred when the product is installed in a location with limited or restricted access.(i.e. airplane flights, ferry charges, isolated geographic areas).
- F. Normal recommended maintenance as set forth in the Product's Use and Care Guide. If you have an installation problem contact your dealer or installer. You are responsible for providing adequate electrical, exhausting and other connection facilities.
This product has been designed for use in a normal domestic (residential) environment. This product is not designed for commercial use (whatsoever). Any commercial use by a customer will terminate/affect this products limited warranty.
We are not responsible for consequential or incidental damages (including without limitation the cost of repairing or replacing other property damaged if the Product is defective or any of your expenses caused if the Product is defective). Some states do not allow the exclusion or limitation of incidental or consequential damages, so the above limitation or exclusion may not apply to you.

How to get service

Please read this Use and Care Guide. If you then have any questions about operating the Product, need the name of your local DCS Authorized Service Agent, or believe the Product is defective and wish service under this Limited Warranty, please contact your dealer or call us at:

TOLL FREE 1-888-936-7872 or contact us through our web site: www.dcsappliances.com

You may be required to provide reasonable proof of the date of purchase of the Product before the Product will be serviced under this Limited Warranty.

Commercial use

This warranty applies to appliances used in residential applications; it does not cover their use in commercial situations.

No other warranties

This Limited Warranty is the complete and exclusive agreement between you and Fisher & Paykel Appliances Inc. regarding any defect in the Product and no other express warranty has been made or will be made on behalf of Fisher & Paykel. None of our employees (or our Authorized Service Agents) are authorized to make any addition or modification to this Limited Warranty.

Warrantor: Fisher & Paykel Appliances, Inc.

If you need further help concerning this Limited Warranty, or to make a claim under this warranty, please call us at the above number, or write to:

Fisher & Paykel and DCS
Appliances Inc
695 Town Centre Drive, Suite #180 Costa Mesa
CA 92626-1902
USA

This Limited Warranty gives you specific legal rights, and you may also have other rights which vary from country to country and from state to state.

Fisher & Paykel Appliances Inc. is a leading manufacturer of premium quality cooking and specialty appliances under the Fisher & Paykel and DCS brands.

TABLE DES MATIÈRES

Table des matières :

Informations de sécurité	20
Déballage de votre appareil	21
Enregistrement de la garantie	21
Installation de votre appareil	22
Dégagement requis pour l'appareil	22
Mise à niveau de l'appareil	22
Raccordement électrique	23
Installation du dispositif antibasculement	24
Dimensions du produit	26
Utilisation de votre commande électronique	28
Démarrage de votre appareil	28
Mise en « MARCHE » ou « ARRÊT » de votre appareil	28
Réglage de la température	28
Fonctionnement du réfrigérateur	28
Alarmes	28
Porte entrouverte	28
Défaillance du capteur de température.....	28
Alarme de température élevée ou basse.....	28
Configurations des tablettes	29
Entretien et nettoyage	30
Rangement de longue durée / hivernage	31
Entretien de l'acier inoxydable	32
Conseils d'économie d'énergie	32
Obtention de service	33
Dépannage	34
Garantie	35

Consignes de sécurité importantes

Les consignes de sécurité et avertissements contenus dans ce guide ne couvrent pas de façon exhaustive toutes les conditions et situations possibles. Soyez prudents et agissez avec précaution et attention lors de l'installation, l'entretien ou l'utilisation de cet appareil.

Portez attention aux symboles, indications et étiquettes de sécurité.



MISE EN GARDE

AVERTISSEMENT – Vous risquez de subir des blessures graves, voire mortelles, si vous ne respectez pas ces instructions.



ATTENTION

MISE EN GARDE – Risques ou manipulations dangereuses susceptibles d'entraîner des blessures et des dommages matériels / au produit.

REMARQUE

REMARQUE – Informations importantes visant à assurer une installation et une utilisation sans problème.

État de la Californie – Avertissements de la Proposition 65 :

AVERTISSEMENT : Cet appareil contient un ou plusieurs produits chimiques reconnus par l'État de la Californie comme étant cancérigènes.

AVERTISSEMENT : Cet appareil contient un ou plusieurs produits chimiques reconnus par l'État de la Californie comme étant sources d'anomalies congénitales ou nuisibles à la reproduction.

DÉBALLAGE DE VOTRE APPAREIL



MISE EN GARDE

RISQUE DE POIDS EXCESSIF

Assurez-vous d'être au moins deux personnes pour déplacer le produit. Le non-respect de cette consigne peut entraîner des blessures.

Retirez l'emballage intérieur

Votre appareil a été emballé en veillant à ce que toutes les pièces risquant d'être endommagées lors du transport soient fixées solidement. Retirez tous les matériaux d'emballage intérieurs et tous les rubans adhésifs qui maintiennent les composants internes en place. Le manuel du propriétaire est inclus à l'intérieur du produit, dans un sac de plastique avec la carte d'enregistrement de garantie et les autres accessoires.

Important

Conservez la boîte et les matériaux d'emballage jusqu'à ce que vous terminiez l'inspection minutieuse de votre appareil pour vous assurer qu'il est en bon état. En cas de dommage, l'emballage sera requis comme preuve d'endommagement causé lors du transport. Veuillez ensuite mettre au rebut de manière responsable tous les éléments d'emballage.



MISE EN GARDE

AVERTISSEMENT – Jetez les sacs de plastique qui peuvent représenter un risque de suffocation.

Remarque à l'intention du client

Cette marchandise a été soigneusement emballée et inspectée avant de quitter notre usine. Le détaillant assume la responsabilité de la livraison au moment de l'acceptation de la marchandise. Toute réclamation pour perte ou dommage encouru lors du transport doit être présentée au détaillant.

REMARQUE

NE RENVOYEZ AUCUNE MARCHANDISE ENDOMMAGÉE AU FABRICANT – DÉPOSEZ VOTRE RÉCLAMATION AU PRÈS DU DÉTAILLANT.



ATTENTION

Si l'appareil a été expédié, déplacé ou entreposé dans une position autre que verticale pendant une durée quelconque, laissez l'appareil en position verticale pendant au moins 24 heures avant de le brancher. Cela permettra à l'huile de retourner au compresseur. Le fait de brancher l'appareil immédiatement pourrait endommager les pièces internes.

Un message à l'intention de nos clients

Nous vous remercions d'avoir choisi ce réfrigérateur d'extérieur DCS. Nous avons élaboré ce Guide d'installation, d'utilisation et d'entretien dans le but d'expliquer les fonctions uniques de cet appareil. Ce guide contient des informations très utiles sur la façon adéquate d'installer, de faire fonctionner et d'effectuer l'entretien de votre nouvel appareil afin de pouvoir en profiter en toute sécurité pendant de nombreuses années.

Si vous avez des questions au sujet de ce produit, communiquez avec un représentant du service à la clientèle DCS par téléphone :

1-888-936-7872, ou par courriel :
customer.care@fisherpaykel.com

REMARQUE : Veuillez noter le numéro de modèle, le code et le numéro de série sur cette page pour référence ultérieure (la plaque signalétique se trouve sur la paroi interne, dans la partie supérieure gauche).

NUMÉRO DE MODÈLE :

CODE :

NUMÉRO DE SÉRIE :

REMARQUE : Inspectez le produit pour vous assurer qu'aucun dommage n'a été causé lors de l'expédition. En cas de dommage, communiquez avec l'expéditeur pour effectuer une demande d'indemnisation. DCS par Fisher & Paykel n'est pas responsable des dommages causés lors de l'expédition.

NE METTEZ PAS au rebut les matériaux d'emballage (boîte, palette, sangles) avant d'avoir terminé l'inspection de l'appareil.



MISE EN GARDE

AVERTISSEMENT – Aidez à prévenir les accidents

Les risques d'emprisonnement et de suffocation des enfants sont des problèmes toujours présents. Les réfrigérateurs mis au rebut ou abandonnés sont toujours dangereux, même s'ils sont laissés sans surveillance pendant quelques heures seulement.

Si vous devez mettre au rebut votre ancien réfrigérateur, veuillez suivre les instructions ci-dessous pour éviter les accidents.

Avant de mettre au rebut votre ancien réfrigérateur ou congélateur :

- Retirez les portes ou les tiroirs.
- Laissez les tablettes en place afin d'éviter que les enfants puissent facilement pénétrer à l'intérieur.

INSTALLATION DE VOTRE APPAREIL

Sélection de l'emplacement

Un emplacement adéquat permet d'assurer le fonctionnement optimal de votre appareil. Nous recommandons un emplacement éloigné des sources de chaleur, où l'appareil ne sera pas exposé à un ensoleillement direct. Pour assurer le fonctionnement de votre produit selon les spécifications, la plage de température recommandée à l'emplacement d'installation est de 55 à 115 °F (13 à 46 °C).

Dégagement requis pour l'appareil

La partie avant inférieure de l'appareil nécessite une ventilation adéquate. Gardez cette zone ouverte et libre de toute obstruction. Les armoires adjacentes et le comptoir peuvent être installés autour de l'appareil, à condition que la grille frontale ne soit pas obstruée.

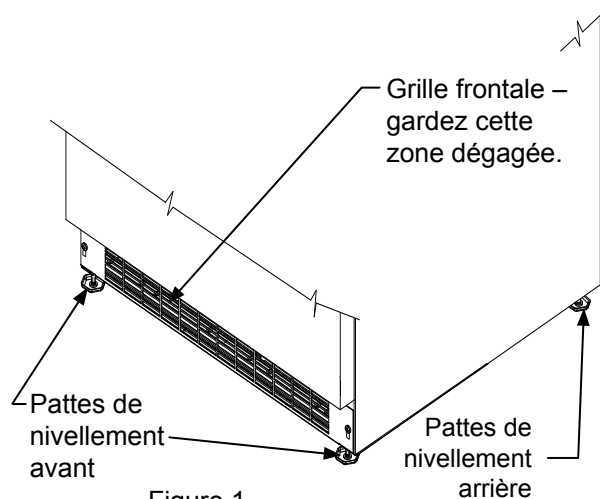


Figure 1



ATTENTION

Grille frontale

N'obstruez pas la grille frontale. Les ouvertures de la grille frontale permettent à l'air de circuler dans l'échangeur de chaleur du condensateur. Toute obstruction de cette circulation d'air entraînerait une utilisation d'énergie accrue et une perte de puissance du système de refroidissement. Pour cette raison, il est important que cette zone ne soit pas obstruée et que les ouvertures de la grille demeurent propres (voir Figure 1). L'utilisation d'une grille fabriquée sur mesure n'est pas recommandée, car cela pourrait limiter la circulation d'air.

Pattes de nivellement

Les pattes de nivellement dans les coins avant et arrière de l'appareil doivent être réglées de manière à ce que l'appareil repose fermement au sol, en étant au niveau de droite à gauche et d'avant en arrière. La hauteur hors tout de votre appareil peut être ajustée entre la hauteur minimum, 33 $\frac{3}{4}$ po (85,7 cm), en vissant la patte de nivellement (sens horaire ↻), et la hauteur maximum, 34 $\frac{3}{4}$ po (88,3 cm) en dévissant la patte de nivellement (sens antihoraire ↺).

Pour régler les pattes de nivellement, placez l'appareil sur une surface solide et protégez le plancher pour éviter de causer des égratignures sous les pattes. Avec l'aide d'une autre personne, inclinez l'appareil vers l'arrière pour accéder aux pattes de nivellement avant. Élevez ou abaissez les pattes à la hauteur requise en les tournant. Répétez cette procédure à l'arrière en inclinant l'appareil vers l'avant, en faisant preuve de prudence. Sur une surface de niveau, vérifiez si l'appareil est bien de niveau et ajustez-le si nécessaire.

Il est possible de desserrer les vis de la grille frontale afin d'ajuster cette dernière à la hauteur souhaitée. Une fois l'ajustement terminé, serrez les deux vis de la grille frontale. (Voir Figure 2).

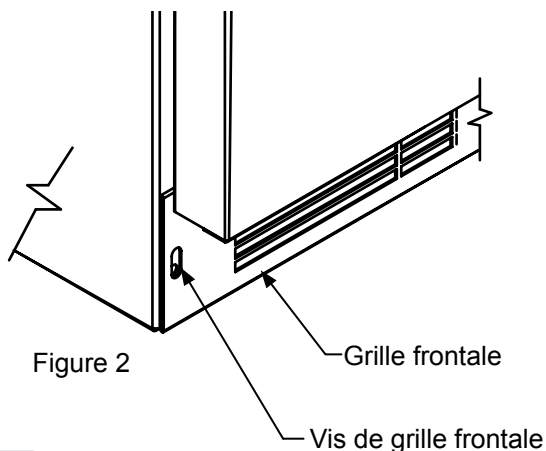


Figure 2

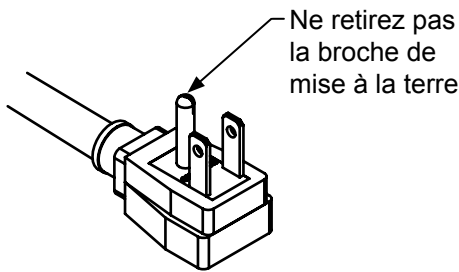


Figure 3

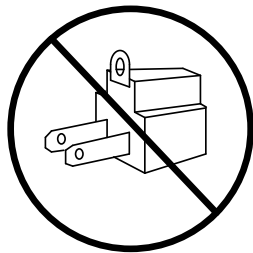


Figure 4

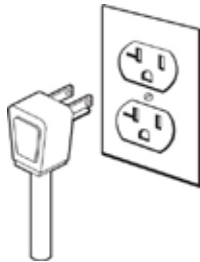


Figure 5



MISE EN GARDE

Risque de choc électrique

- N'utilisez aucune rallonge avec cet appareil. Cela peut s'avérer dangereux et risque de compromettre le fonctionnement du produit.
- Cet appareil ne doit en aucun cas être raccordé à une alimentation électrique qui n'est pas mise à la terre.
- Ne retirez pas la broche de mise à la terre du cordon d'alimentation. (Voir Figure 3).
- N'utilisez aucun adaptateur. (Voir Figure 4).
- N'éclaboussez ou n'arrosez pas l'appareil avec un boyau. Cela pourrait causer un choc électrique risquant d'entraîner des blessures graves ou mortelles.

Raccordement électrique

Un circuit dédié de 115 volts, 15 ampères avec mise à la terre est requis.

Ce produit est équipé en usine d'un cordon d'alimentation muni d'une fiche à trois broches avec mise à la terre. Cette fiche doit être branchée dans une prise avec mise à la terre de type correspondant et conforme au Code national de l'électricité, ainsi qu'aux codes et règlements locaux en vigueur (voir Figure 5). Si le circuit ne comporte pas de prise avec mise à la terre, le client a la responsabilité et l'obligation de faire installer une prise d'alimentation adéquate. La broche de mise à la terre ne doit en aucun cas être coupée ou retirée.

REMARQUE

Les disjoncteurs différentiels de fuite à la terre (DDFT) sont sujets aux déclenchements indésirables entraînant une mise en arrêt de l'appareil. Les DDFT ne sont généralement pas utilisés sur les circuits avec des équipements devant fonctionner sans surveillance pendant de longues périodes, à moins que cela ne soit nécessaire pour assurer la conformité aux codes de construction et règlements locaux.

INSTALLATION DU DISPOSITIF ANTIBASCULEMENT POUR LES INSTALLATIONS NON ENCASTRÉES



MISE EN GARDE



- TOUS LES APPAREILS PEUVENT BASCULER ET AINSI CAUSER DES BLESSURES.



- INSTALLEZ LA PIÈCE DE FIXATION ANTIBASCULEMENT FOURNIE AVEC L'APPAREIL.
- SUIVEZ LES INSTRUCTIONS CI-DESSOUS.

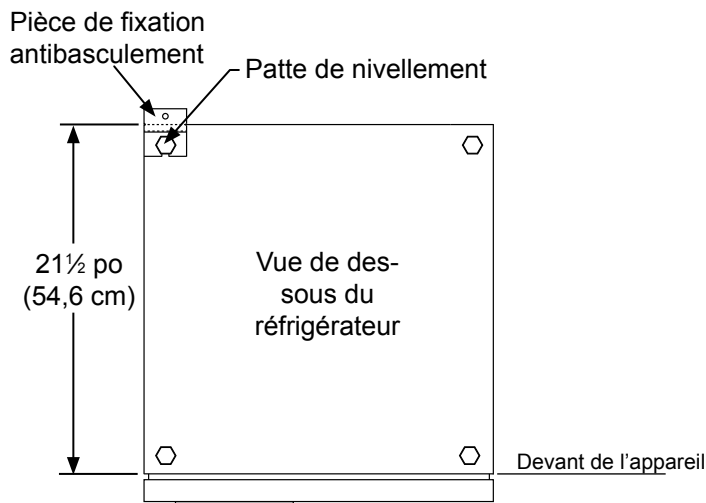


Figure 6

Dispositif antibasculement



MISE EN GARDE

Si votre réfrigérateur n'est pas installé sous un comptoir (non encastré), vous devez utiliser un dispositif antibasculement installé conformément à ces instructions. Si le réfrigérateur est déplacé de son emplacement pour une raison quelconque, assurez-vous que le dispositif s'emboîte correctement avec la pièce de fixation antibasculement lorsque vous réinstallez le réfrigérateur à son emplacement initial. Si le dispositif n'est pas correctement emboîté, le réfrigérateur risque de basculer et d'entraîner des dommages matériels ou des blessures.

REMARQUE

Lors de l'installation sur un plancher en béton, des fixations pour béton sont requises (non comprises avec l'ensemble antibasculement).



ATTENTION

Les revêtements de sol doivent être protégés à l'aide de matériaux appropriés pour éviter les dommages lors du déplacement de l'appareil.

Installation avec fixation au plancher

La pièce de fixation antibasculement doit être située sur le plancher, dans le coin arrière gauche ou droit du réfrigérateur, comme illustré dans la Figure 6.

Instructions étape par étape pour localiser la position de la pièce de fixation :

1) Choisissez l'endroit où vous souhaitez placer le réfrigérateur. Glissez-le en place, en veillant à ne pas endommager le plancher et en laissant un dégagement de 1 po (2,5 cm) à partir du mur arrière afin de laisser de l'espace pour la pièce de fixation antibasculement.

2) Élevez les pattes de nivellement arrière d'environ $\frac{1}{4}$ po (6 mm) afin de permettre l'emboîtement avec la pièce de fixation antibasculement. Mettez l'appareil de niveau en réglant toutes les pattes de nivellement, au besoin. Tournez la patte de nivellement dans le sens des aiguilles d'une montre pour abaisser l'appareil, ou dans le sens inverse pour l'élever.

3) Assurez-vous de placer le réfrigérateur à l'endroit souhaité, puis marquez sur le plancher le coin correspondant aux parties arrière et latérale de l'appareil, à l'endroit où la pièce de fixation antibasculement sera installée. Si l'installation ne permet pas de marquer le coin arrière de l'appareil, tracez des lignes temporaires sur le plancher pour marquer le coin avant de l'appareil, en excluant la porte. Glissez le réfrigérateur hors de son emplacement. À partir de la ligne temporaire, prolongez la ligne de paroi latérale de $21\frac{1}{2}$ po (54,6 cm) vers l'arrière, comme illustré dans la Figure 7.

4) Alignez la pièce de fixation antibasculement sur les marques tracées sur le plancher, de manière à ce que le côté de la pièce de fixation soit aligné avec le côté de la marque de l'appareil et que les encoches en « V » sur la pièce de fixation antibasculement soient alignées avec l'extrémité de la ligne de $21\frac{1}{2}$ po (54,6 cm) (ligne correspondant à l'arrière de l'appareil).

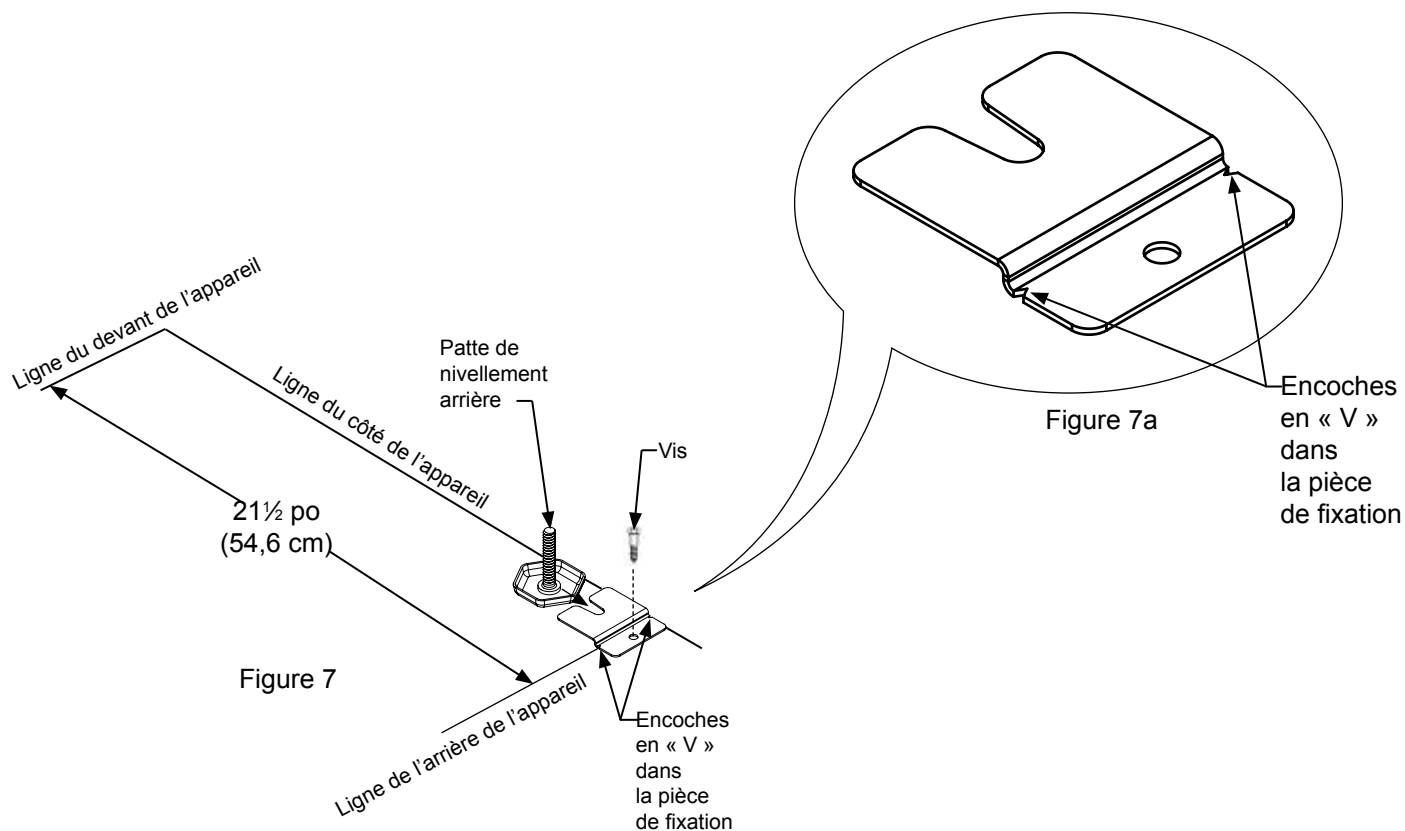
5) Fixez la pièce de fixation antibasculement au plancher en utilisant la vis fournie. (Voir Figure 7).

6) Remplacez l'appareil sur son emplacement, en vous assurant que la patte de nivellement arrière glisse sous la pièce de fixation antibasculement qui s'emboîte dans la fente.

INSTALLATION DU DISPOSITIF ANTIBASCULEMENT POUR LES INSTALLATIONS NON ENCASTRÉES

REMARQUE

Lorsque la pièce de fixation antibasculement montée au plancher est utilisée, la hauteur d'ajustement minimum de l'appareil augmente de $\frac{3}{8}$ po (9 mm).



DIMENSIONS DU PRODUIT

MODÈLE	DIMENSIONS DE L'OUVERTURE			DIMENSIONS DE L'APPAREIL					
	« A »	« B »	« C »	« D »	« E »	« F »	« G »	« H »	« J »
RF24RE3 RF24LE3	24¼ po (61,6 cm) 24 ½ po (62 cm) (avec ensemble de garnitures latérales DCS en option)	**34 po à 35 po (86,4 à 88,9 cm)	*	23 ⁷ / ₈ po (60,7 cm)	33¾ po à 34¾ po (85,7 à 88,3 cm)	23 ²³ / ₃₂ po (60,2 cm)	26 ⁷ / ₃₂ po (66,6 cm)	46 ¹³ / ₃₂ po (117,9 cm)	26¼ po (66,7 cm)

Figure 8

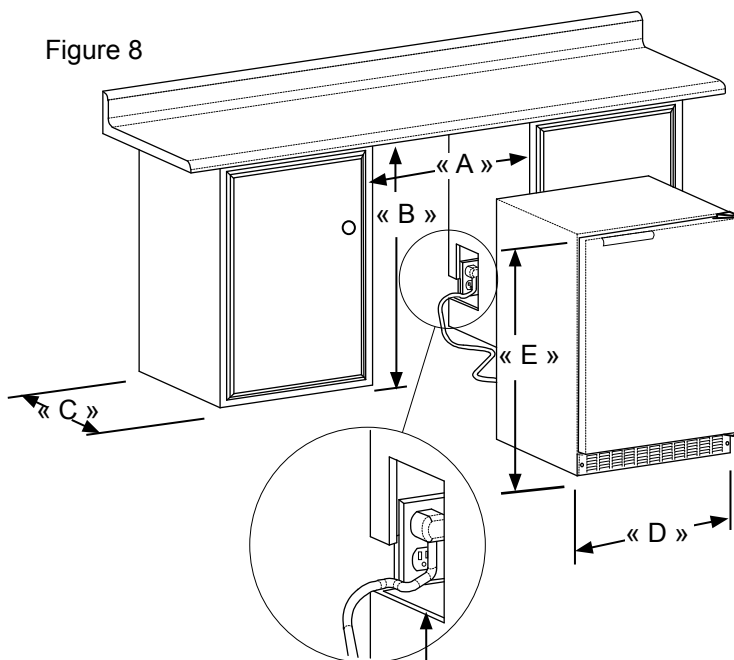


Figure 8a

S'il est nécessaire de gagner de l'espace à l'intérieur de l'ouverture, vous pouvez découper un trou dans l'armoire adjacente afin d'y passer le cordon d'alimentation pour l'acheminer à une prise de courant. Une autre façon d'augmenter la profondeur d'ouverture disponible est d'encaster la prise de courant dans le mur arrière afin de récupérer l'épaisseur de la fiche du cordon d'alimentation.

* La profondeur de l'ouverture peut varier selon chaque installation. Pour encaster la totalité de la porte, la dimension « F » avec 1 po (2,5 cm) supplémentaire est requise pour l'épaisseur de la fiche du cordon d'alimentation.

** L'ouverture minimale requise doit être supérieure à la hauteur ajustée de l'appareil.

*** Un circuit dédié de 15 ampères avec mise à la terre est requis. Respectez tous les codes locaux du bâtiment lors de l'installation du raccordement électrique et de l'appareil.

DIMENSIONS DU PRODUIT

DONNÉES DU PRODUIT		
MODÈLE	ALIMENTATION REQUISE***	POIDS DU PRODUIT
RF24RE3 RF24LE3	115 V/60 Hz/15 A	140 lb (63,6 kg)

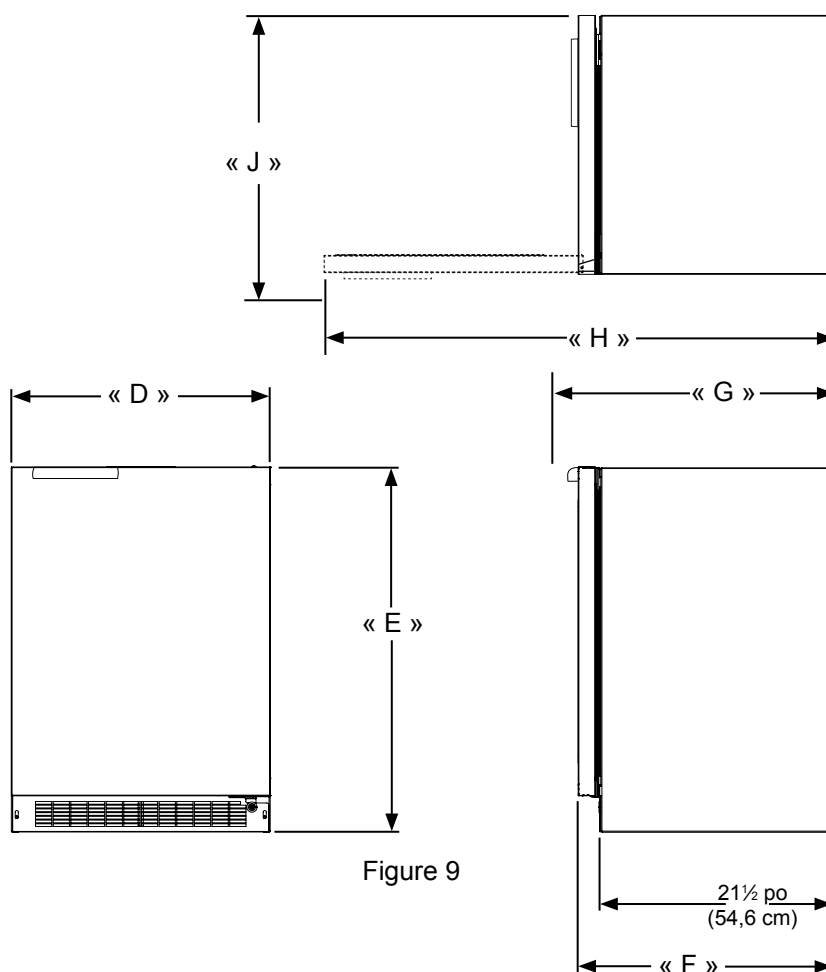


Figure 9



MISE EN GARDE

La pièce de fixation antibasculément montée au plancher doit être installée pour les applications non encastrées. Non requis pour les applications encastrées.

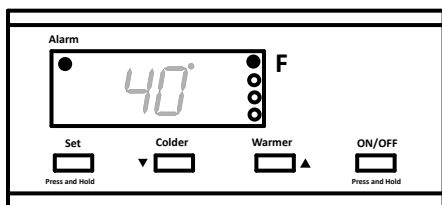


Figure 10
Gros plan de
la commande

Démarrage de votre réfrigérateur

Branchez le cordon d'alimentation du réfrigérateur dans une prise de courant. Votre réfrigérateur commencera à refroidir après sa mise sous tension.

Si votre réfrigérateur ne démarre pas, vérifiez s'il est mis en marche et si la température réglée est suffisamment froide.

Mise en MARCHÉ ou ARRÊT de votre réfrigérateur

Lorsque le réfrigérateur est en marche, sa température est indiquée sur l'afficheur. Pour éteindre le réfrigérateur, maintenez la touche « ON/OFF » (« MARCHÉ/ARRÊT ») enfoncée pendant trois secondes. « OFF » (« ARRÊT ») apparaîtra sur l'afficheur.

Lorsque le réfrigérateur n'est pas en marche, « OFF » apparaît sur l'afficheur. Pour mettre en marche le réfrigérateur, maintenez la touche « ON/OFF » enfoncée pendant trois secondes. La température du réfrigérateur sera indiquée sur l'afficheur.

Réglage de la température

Pour régler la température du réfrigérateur, maintenez la touche « SET » (« RÉGLAGE ») enfoncée. Lorsque vous appuyez sur la touche « SET », l'afficheur indique la température réglée. Tout en maintenant la touche « SET » enfoncée, appuyez sur la touche « WARMER » (« PLUS CHAUD ») ou « COLDER » (« PLUS FROID ») pour régler la température.

Fonctionnement du réfrigérateur

La plage de température disponible du réfrigérateur est de 34 à 42 °F (1 à 6 °C).

Votre réfrigérateur peut prendre jusqu'à 24 heures pour atteindre la température souhaitée. Cette durée dépend de la quantité de contenu et de la fréquence d'ouvertures et de fermetures de la porte.

Pour de meilleurs résultats, laissez le réfrigérateur atteindre la température réglée avant de charger le contenu. Une fois le contenu en place, laissez la température se stabiliser pendant au moins 48 heures avant d'apporter des modifications à la température réglée.

Alarmes

La fonction d'affichage numérique permet le suivi du fonctionnement de votre réfrigérateur et vous avise à l'aide d'une série d'alarmes sonores et visuelles.



- **Alarme de porte entrouverte** : Si la porte est laissée ouverte pendant plus de cinq minutes, l'alarme retentit à des intervalles d'une seconde. Le panneau d'affichage clignotera en indiquant « do » et le voyant DEL situé dans le coin supérieur gauche de l'afficheur s'allumera sous « Alarm » (« Alarme »). L'alarme s'arrête dès que la porte est refermée.



- **Défaillance du capteur de température** : Si le contrôleur détecte que le capteur de température ne fonctionne pas correctement, une alarme de capteur de température retentira à des intervalles d'une seconde. « E1 » clignotera sur le panneau d'affichage et le voyant DEL situé dans le coin supérieur gauche de l'afficheur s'allumera sous « Alarm ».



- **Alarme de température élevée ou basse** : Si votre appareil atteint une température inacceptable par rapport à votre réglage, l'alarme retentira à des intervalles d'une (1) seconde. Le panneau d'affichage clignotera en indiquant « Hi » (« Élevée ») ou « Lo » (« Basse »), selon le problème, et le voyant DEL situé dans le coin supérieur gauche de l'afficheur s'allumera sous « Alarm » (« Alarme »). Cette alarme signale une variation de température du compartiment de 10 degrés ou plus par rapport à votre réglage, pendant plus de 1 heure. L'alarme retentira jusqu'à ce que le problème soit corrigé.

REMARQUE

Lors du démarrage initial de l'appareil, l'alarme de température élevée pourrait retentir jusqu'à ce que la température intérieure atteigne votre température réglée. L'alarme de température élevée peut également s'activer lors de l'ouverture de la porte pendant une période prolongée (par exemple, nettoyage ou alarme de porte entrouverte), d'une utilisation fréquente ou du chargement de produits tièdes. Après le déclenchement d'une alarme de température élevée, vérifiez tous les aliments périssables pour vous assurer qu'ils sont toujours propres à la consommation.

Mise en sourdine de l'alarme

Appuyez sur n'importe quelle touche pour mettre en sourdine l'alarme sonore.

REMARQUE

Cette action met en sourdine l'alarme uniquement. Si la cause ayant déclenché l'alarme est toujours présente, le code d'alarme continuera de clignoter avec émission d'un rappel sonore de 20 secondes toutes les 60 minutes.

Conseils et suggestions pour le chargement

Votre appareil est équipé d'un système de tablettes en porte-à-faux procurant une flexibilité optimale pour l'ajustement et la personnalisation des dispositions de tablettes illustrées ci-dessous.

Réfrigérateur :

Modèles de 24 po (61 cm) de large :

Avec porte pleine. Figure 11.

Votre produit est fourni avec :

1 tablette en porte-à-faux demi-largeur perforée en acier inoxydable.

2 tablettes en porte-à-faux pleine largeur perforées en acier inoxydable.

1 étagère de rangement demi-largeur pour la porte.

2 étagères de rangement pleine largeur pour la porte.

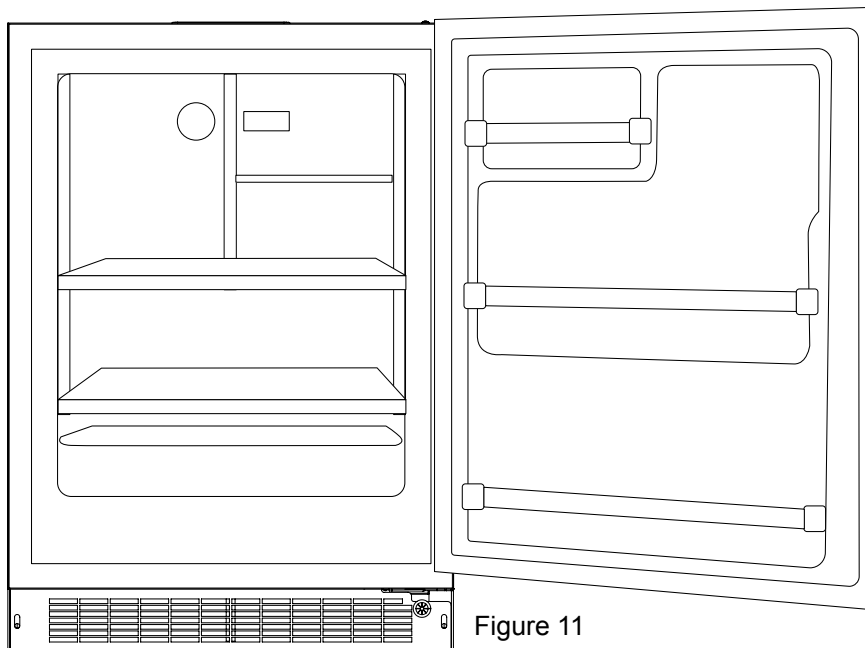


Figure 11

Pour ajouter ou retirer une tablette

Retirez les produits rangés sur la tablette. Ne tentez pas de retirer une tablette chargée de l'appareil. Saisissez le devant de la tablette avec les deux mains, faites pivoter le devant vers le haut, puis soulevez vers l'extérieur. (Voir Figure 11). Pour installer une tablette, insérez la tablette dans l'appareil et placez les crochets supérieurs dans les fentes de support de tablette, puis abaissez la tablette de manière à ce que les crochets s'insèrent dans les fentes.

ATTENTION

Ne tentez jamais de déplacer une tablette chargée; retirez tous les articles de la tablette avant de la déplacer. Utilisez les deux mains pour déplacer la tablette.

ATTENTION

Assurez-vous que la tablette en porte-à-faux est solidement installée sur les supports de tablette en appuyant sur celle-ci avant de charger les articles.

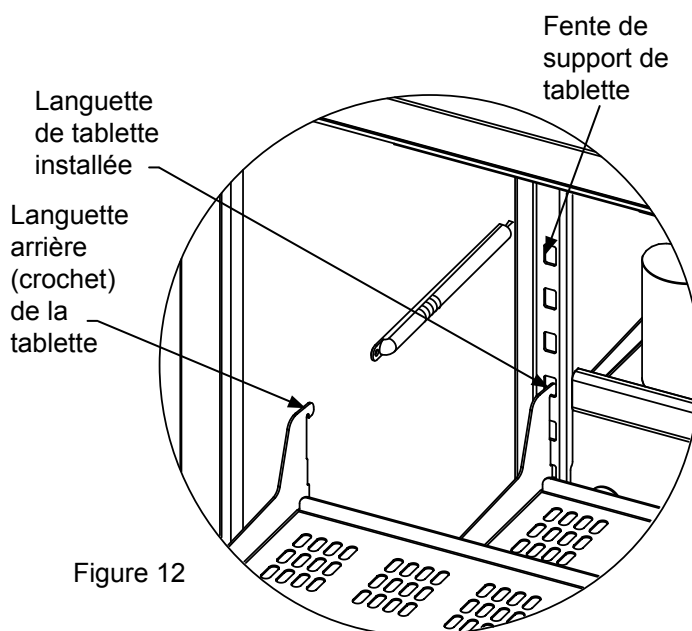


Figure 12

Grille frontale

Assurez-vous que rien n'obstrue les ouvertures de circulation d'air requises à l'avant de l'appareil. Au moins une ou deux fois par année, utilisez une brosse ou un aspirateur pour nettoyer les débris et la saleté de la zone de grille frontale (voir page 22).



ATTENTION

RISQUE D'ÉLECTROCUTION : Déconnectez l'appareil de l'alimentation électrique avant de le nettoyer avec de l'eau et du savon.

Bâti

Le bâti en acier inoxydable peut être lavé avec de l'eau et un savon doux, puis bien rincé avec de l'eau propre. Voir « Entretien de l'acier inoxydable » à la page 32.

Intérieur

Lavez le compartiment intérieur avec de l'eau et un savon doux. N'utilisez PAS de nettoyant abrasif, de solvant, de nettoyant à poli ou de détergent non dilué.

Entretien de l'appareil

1. Évitez de vous appuyer contre la porte, car cela pourrait déformer les charnières ou faire basculer l'appareil.
2. Agissez avec prudence lorsque vous balayez, nettoyez à l'aspirateur ou passez la serpillière à proximité du devant de l'appareil. Vous pourriez endommager la grille.
3. Nettoyez périodiquement l'intérieur de l'appareil, au besoin.

En cas de panne de courant

Lorsqu'une panne de courant survient, essayez de résoudre le problème dès que possible. Évitez d'ouvrir la porte inutilement pendant la panne pour ne pas affecter la température de l'appareil.

Remplacement des lampes

Tous les modèles sont munis de lampes à DEL servant à éclairer l'intérieur de l'appareil. Ce composant est très fiable, mais en cas de défaillance, contactez un technicien d'entretien qualifié pour faire remplacer les lampes à DEL.

ENTRETIEN ET NETTOYAGE

Rangement de longue durée / hivernage du produit d'extérieur :

1. Moment de préparer l'appareil pour l'hiver : lorsque la température ambiante minimale quotidienne est égale ou inférieure à 38 °F (3,3 °C).



ATTENTION

Le fonctionnement de l'appareil à des températures ambiantes sous la température d'hivernage recommandée entraînera l'annulation de votre garantie.

2. Éteignez l'appareil (voir page 28).
3. Retirez tout le contenu.
4. Si nécessaire, déplacez l'appareil afin de pouvoir accéder à l'arrière du produit.
5. Débranchez l'appareil de la prise de courant.
6. Il est également recommandé de désactiver l'alimentation à la prise de courant si le circuit n'est pas utilisé par d'autres appareils pendant l'hiver.
7. Lors du nettoyage de l'appareil, accordez une attention particulière à toute craquelure ou crevasse qui pourrait avoir accumulé de la saleté et des débris.
8. Retirez la grille inférieure à l'avant, puis utilisez une brosse et un aspirateur pour nettoyer la saleté et les débris sous l'appareil.
9. Nettoyez bien la grille inférieure et réinstallez-la sur l'appareil.
10. Retirez le couvercle d'accès arrière, puis utilisez une brosse et un aspirateur pour nettoyer la saleté et les débris du compartiment de l'appareil.
 - Si le plateau de dégivrage en plastique situé sous le compresseur contient de l'eau, utilisez une éponge pour enlever autant d'eau que possible.
11. Nettoyez bien le couvercle d'accès arrière et réinstallez-le sur l'appareil.
12. Essuyez toutes les surfaces intérieures avec un nettoyant antibactérien, puis rincez avec de l'eau propre pour éliminer les résidus chimiques risquant de causer des taches. N'utilisez pas de nettoyants abrasifs ou de tampons à récurer.
13. Laissez la porte ouverte et attendez que le séchage soit complètement terminé avant de fermer la porte.
14. Nettoyez bien le joint d'étanchéité de la porte avec un nettoyant antibactérien, puis rincez avec de l'eau propre pour éliminer les résidus chimiques.
15. Nettoyez bien l'extérieur en utilisant un nettoyant approuvé pour l'acier inoxydable. N'utilisez pas de nettoyants abrasifs ou de tampons à récurer. Voir « Entretien de l'acier inoxydable » à la page 32.
16. Les pièces de montage / fixation présentant des signes de corrosion doivent être remplacées.

17. Une fois l'extérieur bien nettoyé, vous pouvez appliquer une couche de cire à voiture pour aider à protéger l'appareil des taches causées par l'humidité, la saleté et les débris risquant de s'accumuler sur les surfaces pendant la période d'hivernage.

Après les étapes ci-dessus, vous pouvez choisir de ranger l'appareil à l'intérieur, mais cela n'est pas requis.

Démarrage après un rangement de longue durée :

1. S'il est rangé à l'extérieur, nous vous recommandons d'inspecter soigneusement l'appareil conformément aux instructions de rangement ci-dessus pour nettoyer la saleté ou les débris résultant des intempéries et/ou des animaux/insectes.
2. Connectez l'appareil à l'alimentation électrique.
3. Mettez l'appareil en marche et confirmez vos réglages de commande souhaités.
4. Laissez l'appareil se stabiliser pendant 24 heures avant d'insérer le contenu.

Informations générales

L'acier inoxydable ne tache, corrode ou rouille pas aussi facilement que l'acier standard, mais il n'est pas à l'épreuve des taches ou de la corrosion. Les aciers inoxydables peuvent se décolorer ou corroder s'ils ne sont pas entretenus correctement.

Les aciers inoxydables sont différents des aciers au carbone standard en raison de leur teneur en chrome. En effet, l'ajout de chrome leur procure une protection invisible en surface, nommée oxyde de chrome. Cette pellicule protectrice d'oxyde de chrome en surface peut être endommagée ou contaminée, risquant ainsi de causer une décoloration, des taches ou de la corrosion sur le métal de base.

Entretien et nettoyage

Un nettoyage régulier des surfaces en acier inoxydable contribuera à prolonger considérablement la durée de vie de votre produit en éliminant les contaminants. Cela est particulièrement important dans les régions côtières où l'acier inoxydable peut être exposé à des contaminants puissants, tels que les sels d'halogénures (chlorure de sodium).

Il est vivement recommandé d'inspecter périodiquement et de bien nettoyer les crevasses, les points de soudure, le dessous des joints, les rivets, les têtes de boulon et tout emplacement où de petites quantités de liquide pourraient s'accumuler, devenir stagnantes et contenir des contaminants. De plus, les pièces de montage présentant des signes de corrosion doivent être remplacées.

La fréquence du nettoyage varie selon l'emplacement d'installation, les conditions environnementales et les conditions d'utilisation.

Choix d'un produit de nettoyage

La sélection d'un produit de nettoyage convenable est à la discrétion du client, qui peut choisir parmi de nombreux produits. Selon le type de nettoyage et le degré de contamination, certains produits sont plus efficaces que d'autres.

Normalement, le moyen le plus efficace d'effectuer le nettoyage usuel de la plupart des produits en acier inoxydable consiste à les frotter vigoureusement à l'aide d'un chiffon doux imbibé d'eau tiède et d'un détergent doux, ou encore d'un mélange à faible teneur en ammoniac. Les frottements doivent être dans le sens des lignes de poli de l'acier, dans la mesure du possible. Ce nettoyage doit toujours être suivi d'un rinçage complet.

Bien que certains produits soient identifiés « nettoyants pour acier inoxydable », ces derniers pourraient contenir des substances abrasives risquant d'égratigner la surface (en endommageant ainsi la pellicule protectrice d'oxyde de chrome) et plusieurs d'entre eux contiennent du javellisant au chlore, qui pourrait ternir ou décolorer la surface s'il n'est pas complètement nettoyé.

Une fois les surfaces en acier inoxydable complètement nettoyées, vous pouvez appliquer de la cire à voiture de bonne qualité pour aider à préserver le fini.

Remarque : Les appareils en acier inoxydable ne doivent jamais être installés ou entreposés à proximité de produits chimiques chlorés.

Quel que soit le produit de nettoyage de votre choix, utilisez-le conformément aux instructions du fabricant.

Conseils d'économie d'énergie

Les suggestions suivantes vous aideront à réduire le coût de fonctionnement de votre appareil de réfrigération.

1. N'installez pas votre appareil à proximité d'un appareil générant de la chaleur (cuisinière, lave-vaisselle, etc.), de conduits de chauffage ou de toute autre source de chaleur.
2. Installez le produit à l'abri de l'ensoleillement direct.
3. Assurez-vous que les ouvertures de la grille frontale située à l'avant de l'appareil, sous la porte, sont dégagées et maintenues propres afin de permettre au système de réfrigération d'expulser la chaleur.
4. Branchez votre appareil à un circuit d'alimentation dédié (non partagé avec d'autres appareils).
5. Lors du chargement initial de votre nouveau produit ou lorsque vous placez de grandes quantités de contenus tièdes dans le compartiment de rangement réfrigéré, évitez d'ouvrir la porte inutilement au cours des 12 prochaines heures afin de permettre au contenu d'atteindre la température réglée pour le compartiment.
6. Un compartiment de rangement relativement plein nécessite une durée de fonctionnement moins importante qu'un compartiment vide.
7. Lors de la fermeture, assurez-vous que la porte n'est pas obstruée par des contenus rangés dans votre appareil.
8. Laissez les articles chauds atteindre la température ambiante avant de les ranger dans l'appareil.
9. Évitez d'ouvrir la porte inutilement et réduisez les durées d'ouverture de la porte.
10. Utilisez le réglage de température le plus élevé qui correspond à vos préférences personnelles et permet d'obtenir une température convenable pour les contenus rangés.
11. Lors des vacances ou des périodes d'absence prolongées, réglez l'appareil à la température la plus élevée acceptable pour les contenus rangés.
12. Réglez la commande à la position « OFF » si le nettoyage de l'appareil nécessite que la porte soit ouverte pendant une période prolongée.

OBTENTION DE SERVICE

Comment obtenir du service :

Pour une réparation sous garantie, veuillez communiquer avec votre fournisseur de service local ou le service à la clientèle DCS au (888) 936-7872. Avant d'appeler, veuillez préparer les informations suivantes :

- Numéro de modèle (la plaque signalétique se trouve sur la paroi interne, dans la partie supérieure gauche).
- Numéro de série (la plaque signalétique se trouve sur la paroi interne, dans la partie supérieure gauche).
- Code (la plaque signalétique se trouve sur la paroi interne, dans la partie supérieure gauche).
- Date de l'installation
- Brève description du problème

Votre satisfaction est importante pour nous. Si un problème n'est pas réglé à votre satisfaction, veuillez nous écrire ou nous envoyer un courriel à :

Nous écrire :
Fisher & Paykel and DCS
Appliances Inc
695 Town Centre Drive, Suite #180 Costa Mesa
CA 92626-1902
USA

Nous envoyer un courriel :
customer.care@fisherpaykel.com

Avant d'effectuer un appel de service :

Consultez la section de dépannage à la page 34.

Avant d'effectuer un appel de service

Si l'appareil semble fonctionner incorrectement, lisez d'abord ce manuel dans sa totalité. Si le problème persiste, consultez le guide de dépannage ci-dessous. Trouvez le problème dans le guide, puis reportez-vous à la cause et la solution avant d'effectuer un appel de service. Le problème est parfois très simple à résoudre, sans qu'un appel de service ne soit nécessaire. Toutefois, il pourrait être nécessaire de communiquer avec votre détaillant ou un technicien d'entretien qualifié.

**MISE EN GARDE****Risque d'électrocution**

- Ne tentez jamais de réparer ou d'effectuer l'entretien de l'appareil avant d'avoir déconnecté l'alimentation électrique. Le fait de régler la commande de l'appareil à « OFF » n'interrompt pas l'alimentation électrique du câblage de l'appareil.
- Réinstallez toutes les pièces et tous les panneaux avant de faire fonctionner l'appareil.

Problème	Cause possible	Solution
L'appareil n'est pas suffisamment froid (Voir « Réglage de la température » à la page 28)	• La commande est réglée à une température trop élevée.	• Réglez la commande à une température plus froide. Attendez 24 heures pour permettre à la température de se stabiliser.
	• La température du contenu n'est pas stabilisée.	• Laissez la température se stabiliser pendant au moins 24 heures.
	• Utilisation excessive ou ouvertures prolongées de la porte.	• La circulation d'air ne doit pas être obstruée à la grille frontale. Voir « Dégagements » à la page 22.
	• Circulation d'air obstruée à la grille frontale.	• Remplacez le joint de porte.
L'appareil est trop froid (Voir « Réglage de la température » à la page 28)	• Le joint de porte n'est pas suffisamment étanche.	• Réglez la commande à une température plus élevée. Attendez 24 heures pour permettre à la température de se stabiliser.
	• La commande est réglée à une température trop froide.	• Remplacez le joint de porte.
Aucun éclairage à l'intérieur.	• Défaillance de l'assemblage de lampes à DEL ou de l'interrupteur d'éclairage.	• Contactez un technicien d'entretien qualifié.
L'éclairage ne s'éteint pas lorsque la porte est fermée	• L'éclairage de l'affichage est activé. (Modèles à porte en verre uniquement.)	• Désactivez l'éclairage de l'affichage et fermez la porte.
	• La porte n'active pas l'interrupteur d'éclairage.	• L'appareil n'est pas de niveau. Mettez l'appareil de niveau (voir « Pattes de nivellement » à la page 22).
	• Défaillance de l'interrupteur d'éclairage.	• Contactez un technicien d'entretien qualifié.
Bruit ou vibration	• L'appareil n'est pas de niveau.	• Mettez l'appareil de niveau (voir « Pattes de nivellement » à la page 22).
	• Tube causant de l'obstruction au ventilateur.	• Contactez un technicien d'entretien qualifié.
L'appareil ne fonctionne pas.	• L'appareil est éteint.	• Mettez l'appareil en marche. Voir « Démarrage de votre appareil » à la page 28.
	• Le cordon d'alimentation n'est pas branché.	• Branchez le cordon d'alimentation.
	• Aucune alimentation à la prise.	• Vérifiez les disjoncteurs de la maison.

GARANTIE

Garantie limitée

Lorsque vous achetez un nouveau produit de réfrigération DCS, vous bénéficiez automatiquement d'une garantie limitée de deux ans s'appliquant aux pièces et à la main-d'œuvre pour le service dans les 48 États continentaux des États-Unis, à Hawaï, à Washington DC et au Canada. Les clients de l'Alaska bénéficient de la même garantie limitée, mais ils doivent payer les frais nécessaires pour la livraison du produit à l'atelier de réparation ou le déplacement d'un technicien à leur domicile. Les produits pour l'utilisation au Canada doivent être achetés auprès du réseau de distribution canadien autorisé pour assurer la conformité aux réglementations.

Vous bénéficiez d'une garantie limitée supplémentaire de trois ans (pour un total de cinq ans) couvrant les pièces du système de réfrigération scellé (compresseur, évaporateur, condenseur, déshydrateur-filtre et tube de raccordement) dans les 48 États continentaux des États-Unis, à Hawaï, à Washington DC et au Canada. Les clients de l'Alaska bénéficient de la même garantie limitée pour le système de réfrigération scellé, mais ils doivent payer les frais nécessaires pour la livraison du produit à l'atelier de réparation ou le déplacement d'un technicien à leur domicile.

Si le produit est installé dans un véhicule à moteur, un bateau ou une installation mobile similaire, vous bénéficiez de la même garantie de deux ans, mais vous devez apporter à vos frais le véhicule, le bateau ou l'installation mobile contenant le produit à l'atelier de réparation ou payer le déplacement des techniciens d'entretien à l'endroit où se trouve le produit.

Fisher & Paykel s'engage à :

Réparer sans frais encouru par le propriétaire, avec certaines exceptions décrites aux présentes, pour le matériel ou la main-d'œuvre pour toute pièce s'avérant défectueuse du Produit dont le numéro de série figure sur celui-ci. Les clients de l'Alaska doivent payer les frais nécessaires pour la livraison du produit à l'atelier de réparation ou le déplacement d'un technicien à leur domicile.

Si nous ne parvenons pas à réparer une pièce défectueuse du produit après un nombre de tentatives raisonnable, nous pourrions à notre discrétion remplacer la pièce ou le produit, ou vous offrir un remboursement complet du prix d'achat du produit (excluant les frais d'installation ou autres coûts).

Cette garantie est valable pour le propriétaire initial et tout propriétaire subséquent du Produit pendant la durée de la garantie, s'il est acheté pour une utilisation normale dans un domicile familial simple.

Toutes les réparations couvertes par cette garantie limitée doivent être effectuées par Fisher & Paykel Appliances Inc. ou un agent de service autorisé DCS pendant les heures d'ouverture normales.

Aucune garantie n'est offerte pour un achat ou une utilisation à des fins commerciales.

Garantie limitée

Quelle est la durée de cette garantie limitée?

Notre responsabilité en vertu de cette garantie limitée expire deux ans à partir de la date d'achat du produit par le premier acheteur.

Notre responsabilité pour les réparations de défauts affectant le système de réfrigération scellé (compresseur, évaporateur, condenseur, déshydrateur-filtre et tube de raccordement) est prolongée de trois années supplémentaires, pour un total de cinq années à partir de la date d'achat du produit par le premier acheteur.

Notre responsabilité en vertu de toute garantie implicite, incluant la garantie implicite de qualité marchande (la garantie non écrite que le produit est adéquat pour une utilisation normale) est également limitée à deux ans (ou une période plus longue, si cela est exigé par la loi en vigueur) à partir de la date d'achat du produit par le premier acheteur. Certaines juridictions ne permettent pas les limitations de durée de la garantie implicite. Par conséquent, cette limitation de garantie implicite pourrait ne pas s'appliquer à vous.

Fisher & Paykel honorera toute garantie prévue par la loi dans le pays ou l'État où le produit est vendu.

Cette garantie ne couvre pas :

- A. Les appels de service pour tout problème non lié à une défectuosité du produit. Le coût de l'appel de service sera facturé s'il se trouve que le problème n'est pas dû à une défectuosité du produit. Par exemple :
 1. Correction d'une installation inappropriée du produit.
 2. Explication du fonctionnement du produit.
 3. Remplacement des fusibles, réarmement des disjoncteurs, réparation du câblage électrique ou de la plomberie du domicile et remplacement des ampoules.
 4. Réparation de défectuosités causées par l'utilisateur.
 5. Modification de la configuration du produit.
 6. Modifications non autorisées du produit.
 7. Bruits et vibrations considérés normaux, par exemple, sons d'évacuation, bruits de régénération et bips d'avertissement.
 8. Réparation des dommages causés par des animaux nuisibles, par exemple, des rats, cafards, etc.
 9. Utilisation dans le cadre d'applications commerciales.
- B. Défectuosités causées par des facteurs autres que :
 1. Utilisation domestique normale ou
 2. Utilisation en conformité avec les indications du guide d'utilisation et d'entretien du produit.

GARANTIE

- C. Défectuosités du produit causées par un accident, la négligence, une utilisation inappropriée, un incendie, une inondation ou une catastrophe naturelle.
- D. Les frais des réparations effectuées par des réparateurs non autorisés ou les frais associés à la correction de telles réparations non autorisées.
- E. Les frais de déplacement et frais associés encourus lorsque le produit est installé dans un endroit où l'accès est limité ou restreint (par exemple, frais d'avion et de traversier, régions géographiques isolées).
- F. L'entretien normal recommandé dans le guide d'utilisation et d'entretien du produit. En cas de problème d'installation, communiquez avec votre détaillant ou installateur. Il est de votre responsabilité d'assurer des installations électriques, d'évacuation et de raccordement appropriées. Ce produit a été conçu pour une utilisation dans un environnement domestique normal (résidentiel). Il n'est pas conçu pour une utilisation commerciale (de quelque nature que ce soit). Toute utilisation commerciale affectera ou entraînera l'annulation de la garantie limitée de ce produit. Nous ne sommes pas responsables des dommages indirects ou accessoires (y compris, sans limitation, le coût de réparation ou de remplacement d'autres biens endommagés si le Produit est défectueux ou tout autre coût encouru si le Produit est défectueux). Certaines juridictions ne permettent pas l'exclusion ou la limitation de la responsabilité pour les dommages indirects ou accessoires; par conséquent, l'exclusion ou la limitation ci-dessus pourrait ne pas s'appliquer à vous.

Comment obtenir du service

Veuillez lire ce guide d'utilisation et d'entretien. Si vous avez des questions concernant l'utilisation du produit, souhaitez trouver le nom d'un agent de service autorisé DCS local ou pensez que le produit est défectueux et désirez le faire réparer dans le cadre de cette garantie limitée, veuillez communiquer avec votre détaillant ou nous appeler au numéro suivant :

SANS FRAIS 1-888-936-7872 ou nous contacter par l'intermédiaire de notre site Web : www.dcsappliances.com

Il pourrait vous être demandé de fournir une preuve valable de la date d'achat du produit avant que la réparation soit effectuée dans le cadre de cette garantie limitée.

Utilisation commerciale

Cette garantie s'applique à des appareils utilisés dans des applications résidentielles; elle ne couvre pas leur utilisation dans des situations commerciales.

Aucune autre garantie

Cette Garantie Limitée constitue la totalité de l'accord exclusif existant entre l'acheteur et Fisher & Paykel Appliances Inc. relativement à toute défectuosité de ce Produit; aucune autre garantie expresse n'est offerte ou ne sera offerte au nom de Fisher & Paykel. Aucun de nos employés (ou agents de service autorisés) n'est autorisé à effectuer des ajouts ou apporter des modifications à cette garantie limitée.

Garant : Fisher & Paykel Appliances, Inc.

Si vous avez besoin d'aide au sujet de cette Garantie Limitée ou devez faire une demande en vertu de cette garantie, veuillez nous appeler au numéro ci-dessus ou nous écrire à l'adresse suivante :

Fisher & Paykel and DCS
Appliances Inc
695 Town Centre Drive, Suite #180 Costa Mesa
CA 92626-1902
USA

Cette Garantie Limitée vous donne des droits juridiques spécifiques auxquels peuvent s'ajouter d'autres droits qui varient d'un pays ou d'une juridiction à l'autre.

Fisher & Paykel Appliances Inc. est un chef de file dans la fabrication d'appareils de cuisson et de produits spécialisés de première qualité, commercialisés sous les marques Fisher & Paykel et DCS.



Quality provided by Fisher & Paykel Appliances Inc.

Fisher & Paykel and DCS Appliances Inc
695 Town Centre Drive, Suite #180 Costa Mesa
CA 92626-1902
USA
Customer Care: 888.936.7872
Fax: 714.372.7003
www.dcsappliances.com

As product improvement is an ongoing process, we reserve the right to change specifications or design without notice.

Fisher & Paykel and DCS Appliances Inc
695 Town Centre Drive, Suite #180 Costa Mesa
CA 92626-1902
USA
Service à la clientèle : 888.936.7872
Fax : 714.372.7003
www.dcsappliances.com

Comme nous améliorons nos produits en permanence, nous nous réservons le droit de modifier les caractéristiques ou la conception sans préavis.