

# 20.1 cu ft Series 7 French Door Refrigerator Freezer, Ice & Water

Series 7 | Contemporary

Stainless Steel | French hinge

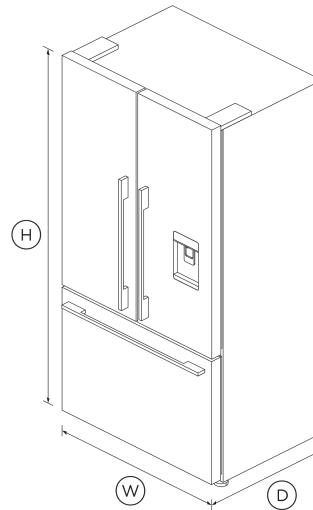


Designed for those who need plenty of flexible space for their cold and frozen food storage, with a stylish stainless steel finish.

- ActiveSmart™ helps keep food fresher for longer
- Bottom freezer drawer
- Brushed metal handles

## DIMENSIONS

Height	70 15/32 "
Width	35 7/16 "
Depth	27 3/8 "



## FEATURES & BENEFITS

### ACTIVESMART™ FOODCARE

ActiveSmart™ Foodcare learns how you live. It's the technology that understands how you use your fridge and adjusts the temperature, airflow and humidity inside to help keep food fresher for longer.

### Clever Energy

Your refrigerator adapts to daily use by cooling and defrosting only when needed. This means your refrigerator uses the energy it needs without compromising on food care.

### WATER ON TAP

The slimline dispenser makes it easy to fill almost any sized jug or vessel with cool filtered water and doesn't take up any storage space in your refrigerator.

### Design Quality

Our refrigerators are designed and built using quality materials. We use real stainless steel on our refrigerators and solid glass for shelving.

### Humidity Control

Your fruit and veges need different environments. The humidity control slides in each storage bin create a microclimate that helps keep food fresher for longer.

### Ice Maker

Fresh ice is always available for you in a dedicated freezer bin. Simply turn it off to free up freezer space or during busy times, you can boost ice production by up to 30%.

### Easy Cleaning

Spill-safe secure glass shelves easily capture any drips or leaks and prevent them from falling on items below.

## SPECIFICATIONS

### Accessories (sold separately)

Water filter replacement	847200 - FWC3
--------------------------	---------------

### Capacity

Total gross capacity	20.1 cu ft
Volume freezer	5.1 cu ft
Volume refrigerator	14.6 cu ft

**Consumption**

Energy rating	<b>Energy star</b>
Energy usage	<b>532kWh/year</b>
In-use energy carbon emissions estimate	<b>195.0kgCO2e/ year</b>

**Features**

Adjustable door shelves	<b>8</b>
Adjustable glass shelves	<b>3</b>
Covered door shelves	<b>2</b>
Deli storage bins	<b>2</b>
Door alarm	<b>•</b>
Fruit and vegetable bins	<b>2</b>
LED lighting	<b>•</b>
Smart appliance	<b>•</b>
SmartTouch control panel	<b>•</b>
Soft close doors	<b>•</b>
Stackable bottle holders	<b>4</b>
Ultra slim water dispenser	<b>•</b>
Water Filter	<b>847200</b>

**Freezer Features**

Automatic ice maker	<b>•</b>
Bottle chill	<b>•</b>
Fast freeze	<b>•</b>
Ice bin and scoop	<b>•</b>
Ice Boost	<b>•</b>

**Performance**

- ActiveSmart™ Foodcare
- Adaptive defrost
- Frost Free Freezer
- Humidity control system
- Inverter controlled compressor
- Sabbath mode

**Product Dimensions**

Depth	<b>27 3/8 "</b>
Height	<b>70 15/32 "</b>
Minimum air clearance at rear	<b>1 3/16 "</b>
Minimum air clearance each side	<b>1 3/16 "</b>
Width	<b>35 7/16 "</b>

**Warranty**

Parts and labor	<b>2 years</b>
Sealed system parts & labor	<b>additional 3 years</b>

SKU 26308

The product dimensions and specifications in this page apply to the specific product and model. Under our policy of continuous improvement, these dimensions and specifications may change at any time. You should therefore check with Fisher & Paykel's Customer Care Centre to ensure this page correctly describes the model currently available. © Fisher & Paykel Appliances Ltd 2020

Other product downloads available at [fisherpaykel.com](http://fisherpaykel.com)

- ↓ [2D-DWG Freestanding French Door Fridge Freezer](#)
- ↓ [2D-DXF Freestanding French Door Fridge Freezer](#)
- ↓ [Archicad Freestanding French Door Fridge Freezer](#)
- ↓ [Data Sheet Freestanding French Door Fridge Freezer](#)
- ↓ [Energy Label](#)
- ↓ [Service & Warranty](#)
- ↓ [Water Filter Replacement Instructions & Installation Guide EN](#)
- ↓ [Installation Guide - Quick Reference EN](#)
- ↓ [Guide d'installation - Instructions de Remplacement du Filtre à Eau FR](#)
- ↓ [Revit Freestanding French Door Fridge Freezer](#)
- ↓ [Rhino 5](#)
- ↓ [Sketchup Freestanding French Door Fridge Freezer](#)
- ↓ [Installation & User Guide ActiveSmart Refrigerator EN](#)

**Where applicable:**

All appliances use energy, and energy usage typically generates carbon emissions. **Fisher & Paykel Appliances' In-use Energy Carbon Emissions Estimate** indicates carbon emissions from a product's in-use energy. This is calculated either annually or per cycle, using the product's market-specific energy label energy consumption data multiplied by the carbon emissions factor for energy in your country or region.

Our In-use Energy Carbon Emissions Estimate is designed to assist customers in making informed purchasing decisions when comparing different Fisher & Paykel products. For example, a heat pump dryer typically has a lower In-use Energy Carbon Emissions Estimate than a vented dryer.



**A PEACE OF MIND SALE**  
**24 Hours 7 Days a Week Customer Support**  
 T 1.888.936.7872 [Wwww.fisherpaykel.com](http://www.fisherpaykel.com)