

REF36BMBIXLT

REFRIGERATOR 36" BUILT-IN BOTTOM MOUNT WITH ICE MAKER LEFT SWING DOOR, STAINLESS STEEL



Energy Star rated refrigerator & freezer with 19.6 cu.ft of total storage capacity.

True flush installation with proprietary 'Lift & Swing' hinges, ensuring perfect door balance and requiring minimal clearance from adjacent cabinets.

All metal construction liner for longer durability and optimized insulation for max cold retention.

Precise temperature control for optimal food preservation: lateral airflow system, powered by dual variable-speed compressors and dual evaporators, reduces cold loss when opening door.

FlexMode control to set temperature in lower drawer compartment as Freezer or Fresco (28-36°F) or Fridge (36-46°F).

Automatic custom ice maker with control for ice cube size. Integrated water filter located in the low temperature section ideal for hygienically clean ice.

Digital TFT Touch & Scroll interface with user-friendly navigation for temperature, humidity and custom setting selection.

Choose Professional, Master or Heritage Series handle kit to match your other Bertazzoni kitchen appliances. Purchase Décor Sets in Gold (DS2HERTGO), Polished Copper (DS2HERTPC) or Satin Black (DS2HERTSB) to personalize your Heritage Series handles (6 handle finials per set), or in Satin Gold (DSMASHSG) or Satin Black (DSMASHSB) to customize your Master Series handles (2 handle finials per set).

2 years parts & labor warranty and 5 years warranty for the entire sealed system.

PRODUCT FEATURES

| | |
|----------------------|---|
| Size | W 36" |
| Volume | Ref 15.0 cu.ft / Frz 4.6 cu.ft |
| Door finish | Stainless steel |
| User interface | Internal digital TFT touch and scroll interface |
| Lighting | Top and sidewall LED lights |
| Refrigerator shelves | 1 stationary + 2 height-adjustable |
| Refrigerator drawers | 2 soft-close metal drawers |
| Freezer compartment | FlexMode control to set temperature as freezer (5°F to -8°F), fresco (28°F to 36°F) or fridge (36°F to 46°F) |
| Door storage | 3 height-adjustable bins |
| Ice maker | Automatic ice maker up to 3 lbs/24 hrs |
| Settings | Bottle cooler, Ice maker, Ice cube size, Super ice, Water filter, Flex mode, Vacation mode, Shopping mode, Sabbath mode |

TECHNICAL SPECIFICATIONS

| | |
|-----------------------|------------------------------------|
| Electrical supply | 115 V 60 HZ - 275 W - 3 Amp |
| Power connection | NEMA 5-15P with 98" power cord |
| Sound rating | 41 dbA |
| Water connection | 1/4" waterline with shut-off valve |
| Water supply pressure | 8 psi to 75 psi |
| Energy consumption | 572.0 kwh/yr |
| Certification | ETL |
| Warranty | 2 years parts & labor |
| Packaging dimensions | W 37 3/8" H 89" D 31 1/2" |
| Weight | 476.0 lbs |

ACCESSORIES

| | |
|-----------|---|
| Z330001 | Replacement water filter accessory |
| PROHK36PI | Handle kit - Professional series |
| MASHK36PI | Handle kit - Master series |
| HERHK36PI | Handle kit - Heritage series |
| 901470 | Connection trim for side-by-side installation |

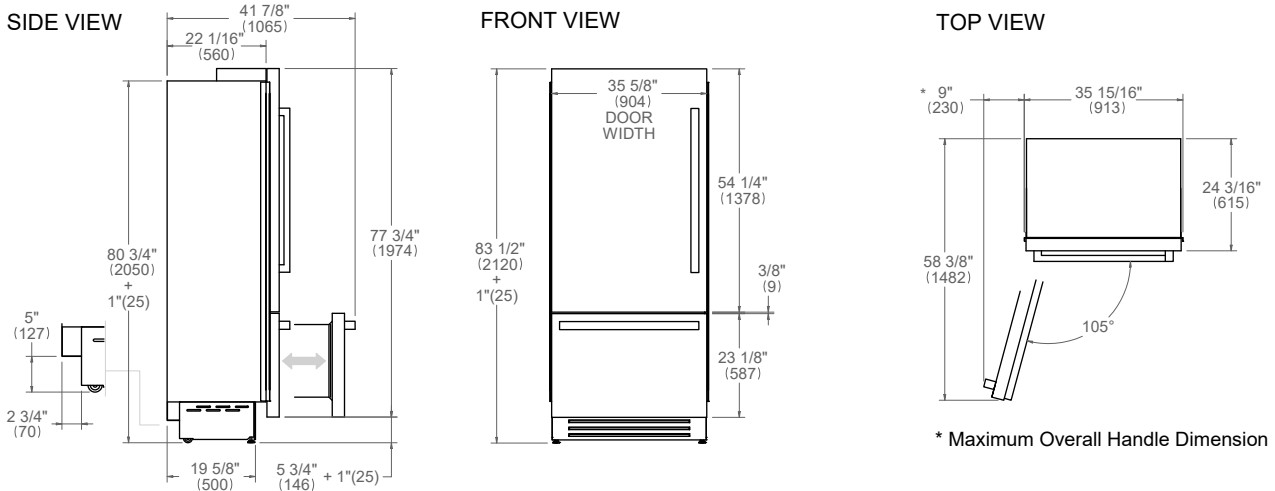


REF36BMBIXLT

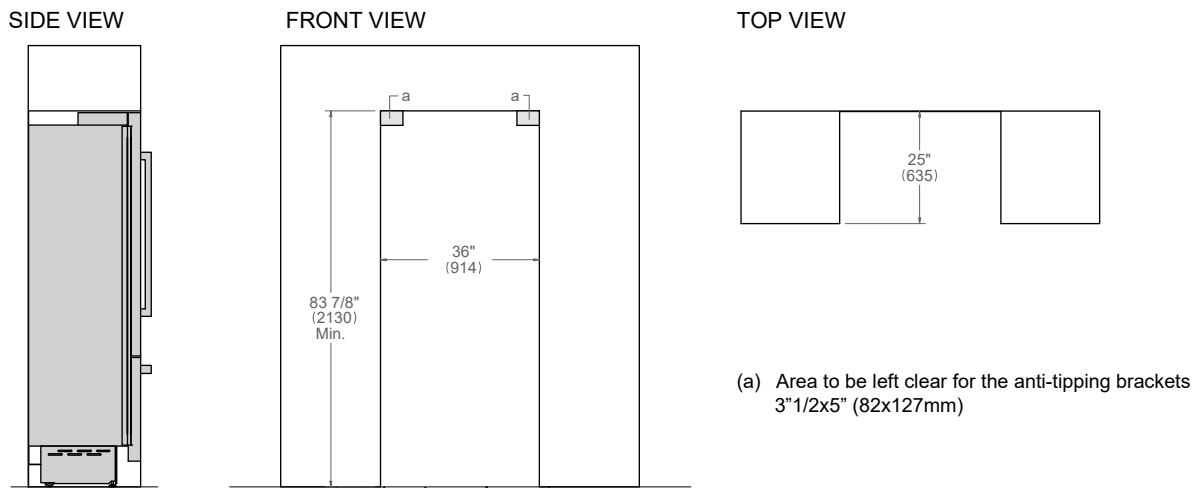
REFRIGERATOR 36" BUILT-IN BOTTOM MOUNT WITH ICE MAKER LEFT SWING DOOR, STAINLESS STEEL



PRODUCT DIMENSIONS



CUTOUT DIMENSIONS



ELECTRICAL & WATER CONNECTION



A properly-grounded, horizontally-mounted electrical receptacle should be installed according to this drawing

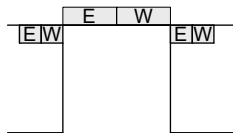


To connect to the water supply system, a 1/4" NPT waterline with accessible shut-off valve must be supplied.

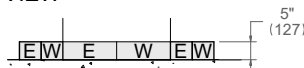
Connection(s) placement within the opening may require additional cabinet depth.

A separate circuit breaker servicing only this appliance is recommended. For installation of multiple products in combination, refer to the Built-in Food Preservation Design Guide. Dimensions in parentheses are millimeters unless otherwise specified.

TOP VIEW



FRONT VIEW



INSTALLATION REQUIREMENTS

If the appliance(s) is not connected through the side profile trims to secured cabinetry anti-tip brackets must be installed.