

REF30RCPIXR/23

30" BUILT-IN REFRIGERATOR COLUMN RIGHT SWING DOOR, STAINLESS STEEL



Preserve the nutrients, texture and taste of all fresh and packaged foods with state-of-the-art sensor managed temperature zones combined with a variable speed compressor.

Enjoy ample and flexible food storage thanks to Bertazzoni's columns design featuring the most usable interior depth in the category.

Ensure optimize food preservation with metal and glass material refrigeration bins, crispers, shelves for scent & aroma neutral storage.

Access all temperature and humidity settings through the intuitive digital touch-control interface.

Maintain the correct temperature in the refrigerator when opening the door for reloading, thanks to the unique lateral side-to-side airflow circulation.

Truly flush front alignment with the adjacent cabinets and minimal clearance with the exclusive "Lift & Swing" door hinge.

Create single, double, triple and more columns configurations to best suit your kitchen layout.

Choose Professional, Master or Heritage Series handle kit to match your other Bertazzoni kitchen appliances. Purchase Décor Sets in Gold (DS2HERTGO), Polished Copper (DS2HERTPC) or Satin Black (DS2HERTSB) to personalize your Heritage Series handles (6 handle finials per set), or in Satin Gold (DSMASHSG) or Satin Black (DSMASHSB) to customize your Master Series handles (2 handle finials per set).

2 years parts & labor warranty and 5 years labor warranty for the entire sealed system.

PRODUCT FEATURES

Size	H: 84" W: 30" D: 25"
Door finish	Stainless steel
Interior finish	White aluminum
User interface	Internal digital TFT touch and scroll interface
Lighting	LED lights interior illumination
Shelves	4
Drawers	3
Door storage	3
Modes	Vacation mode, Shopping mode, Sabbath mode
Open door alarm	Yes

INTERIOR CAPACITY

Total volume	17.4 cu.ft
--------------	------------

TECHNICAL SPECIFICATIONS

Electrical supply	115 V 60 HZ - 218 W 2 Amp
Power connection	NEMA 5-15P with 79" power cord
Sound rating	41 dbA
Energy consumption	343.0 kWh/yr
Certification	ETL
Warranty	2 years parts & labor Sealed system: 5 years labor
Packaging dimensions and weight	W 31 1/2" H 89" D 31 1/2" 397.0 lbs

OPTIONAL ACCESSORIES

PROHKCOL	Handle kit - Professional series
MASHKCOL	Handle kit - Master series
HERHKCOL	Handle kit - Heritage series
901561	48" Bridge toekick

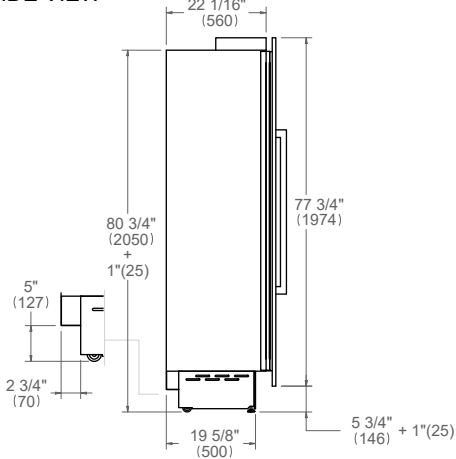
REF30RCPIXR/23

30" BUILT-IN REFRIGERATOR COLUMN RIGHT SWING DOOR, STAINLESS STEEL

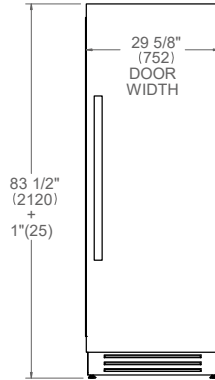


PRODUCT DIMENSIONS

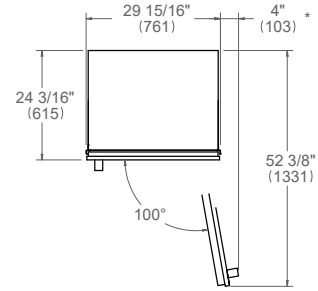
SIDE VIEW



FRONT VIEW



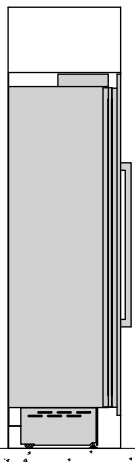
TOP VIEW



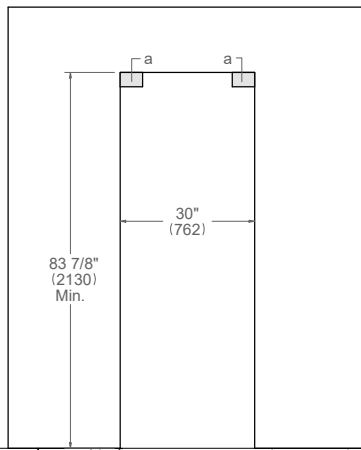
* Maximum Overall Handle Dimension

CUTOUT DIMENSIONS

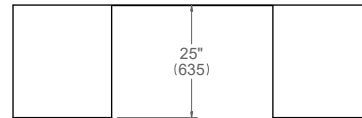
SIDE VIEW



FRONT VIEW



TOP VIEW



(a) Area to be left clear for the anti-tipping brackets 3"1/2x5" (82x127mm)

ELECTRICAL CONNECTION



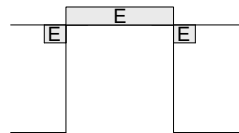
A properly-grounded, horizontally-mounted electrical receptacle should be installed according to this drawing.

Connection(s) placement within the opening may require additional cabinet depth.

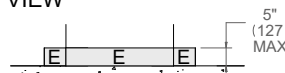
A separate circuit breaker servicing only this appliance is recommended.

For installation of multiple products in combination, refer to the Built-in Food Preservation Design Guide. Dimensions in parentheses are millimeters unless otherwise specified.

TOP VIEW



FRONT VIEW



INSTALLATION REQUIREMENTS

If the appliance(s) is not connected through the side profile trims to secured cabinetry anti-tip brackets must be installed.

A separate circuit breaker servicing only this appliance is recommended.

For installation of multiple products in combination, refer to the Built-in Food Preservation Design Guide at us.bertazzoni.com or ca.bertazzoni.com

Disclaimer: while every effort has been made to ensure the accuracy of the information contained in this document, Fratelli Bertazzoni reserves the right to change it at any time without notice. For detailed installation instructions, consult the installation manual. Fratelli Bertazzoni, Bertazzoni and the winged wheel brand icon are registered trademarks of Bertazzoni Spa.