

BERTAZZONI

REFRIGERATOR
INSTALLATION AND USE MANUAL

EN

RÉFRIGÉRATEUR
MANUEL D'INSTALLATION ET D'UTILISATION

FR

REFRIGERADOR
INSTALACIÓN Y MANUAL DEL USUARIO

ES



REF18FCBIPRV
REF18FCBIPLV
REF24FCBIPNV
REF24RCBPNV
REF30RCBPNV



1. Important Information Regarding Safety and the Environment	4
1.1 General Safety.....	4
1.2 Intended Use.....	5
1.3 Children's Safety	5
1.4 Compliance with the WEEE Directive and Disposing of the Waste Product	5
1.5 Compliance with the RoHS Directive.....	5
1.6 Packaging Information	5
1.7 Hydrocarbon (HC) Warning.....	6
1.8 For Appliances with a Water Dispenser/Ice Machine	6
2. Refrigerator Component List	7
3. Display Panel Setup Instructions	8
3.1 On/Off button.....	8
3.2 Button for Function Selection and for Enabling/Disabling the Child Lock	8
3.3 Refrigerator compartment temperature adjustment button.....	8
3.4 Fresco compartment temperature adjustment button	8
3.5 Freezer compartment adjustment button	8
3.6. Vacation Mode	9
3.7. Sabbath Mode	9
3.8. Eco Mode	9
3.9. Water Dispenser (if applicable)	9
3.10. Ice Making (if applicable)	9
3.11. Water filter replacement (if applicable)	10
3.12. Celsius and Fahrenheit selection	10
4. Before Using the Refrigerator	11
4.1 Ways to Save Energy.....	11
4.2 Recommendations for the Fresh Food Compartment.....	11
4.3 Initial use	11
5. Operating the Appliance	12
5.1 Dual Cooling System	12
5.2 Freezing Fresh Food	12
5.3 Recommendations for Storing Frozen Food.....	12
5.4 Arranging the foods.....	13
5.5 Operating temperature.....	13
5.6 Door Bins	14
5.7 Glass Shelves.....	14
5.8 Refrigerator Drawers.....	14
5.9 Fresco Compartment.....	15
5.10 Hinge Adjustment.....	15
5.11 Changing the Direction of the Door	15
5.12 Water filter replacement	15
6. Maintenance and Cleaning	17
6.1 Preventing Unpleasant Odors	17
6.2. Protecting Plastic Surfaces.....	17
6.3 Cleaning the Interior Surfaces	17
6.4 Stainless Steel Exterior Surfaces	17
7. Troubleshooting	18
8. Customer Care	20

1. IMPORTANT INFORMATION REGARDING SAFETY AND THE ENVIRONMENT

This manual will help you to get started using your appliance quickly and in a safe manner.

- > Please read this user manual carefully before installing and using the product.
- > Always heed the applicable safety information.
- > Keep the user manual in an easily accessible place for future use.
- > Please read all of the additional documents provided with the product.

Please keep in mind that this manual may apply to several different product models.

This manual expressly indicates the differences between the various models.

WARNING

Risk of injury and property damage.

Note

Important information and useful tips.



The packaging materials for this product have been manufactured from recyclable materials in accordance with National Environmental Regulations.

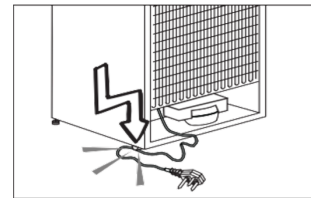
This chapter contains safety information that will help you to prevent risks of injury or property damage. Failure to follow these instructions shall render any product warranty void.

1.1 General Safety

- > This appliance may be used by children aged 8 or older, by people who have limited physical, sensory or mental capabilities and by people who lack experience and information, provided that they have been given instructions concerning the safe use of the appliance and are supervised, and that the risks have been eliminated. Children should not play with the appliance. Cleaning and care should not be performed by children unless they are supervised by an adult.
- > Unplug the appliance if you encounter a malfunction during use.
- > If the appliance malfunctions, it must not be allowed to remain on until repaired by an authorized service provider. Risk of electric shock!
- > Plug the appliance into a grounded socket that is protected by a fuse and that corresponds to the value on the product's nameplate. The appliance should

not be plugged into a GFCI protected outlet. Have a qualified electrician ground the appliance. Our company cannot be held responsible for damages resulting from a failure to use the appliance with a grounded socket pursuant to local regulations.

- > Unplug the appliance when not in use.
- > Never wash the appliance by pouring, daubing or spraying water onto it! Risk of electric shock!



- > Never touch the plug with wet hands!
- > Never unplug the appliance by pulling on the cable; pull on the plug itself. Always brace one hand against the socket panel while pulling the plug out.
- > Do not plug in the refrigerator if the wall socket is loose.
- > Never connect your refrigerator to an energy saving device. Such systems are harmful to your appliance.
- > Make sure the appliance is unplugged during installation, maintenance, cleaning and repairs.
- > Make sure to have your **Authorized Service Provider** install the appliance and set up its electrical connections. The manufacturer cannot be held responsible for damages arising from procedures performed by unauthorized persons.
- > Do not eat Popsicles or ice cubes immediately after you take them out of the freezer compartment! This may cause an ice burn in your mouth!
- > Do not touch frozen food with wet hands! It may stick to your hands!
- > Do not put bottled or canned liquid beverages in the freezer compartment. They may burst!
- > Never use steam or steam cleaners to clean or defrost the refrigerator. Steam coming into contact with the electrical components of your refrigerator can cause short circuit or electric shock!
- > Do not use mechanical devices or other means to accelerate the defrosting process; use only those recommended by the manufacturer.
- > Never use refrigerator components such as the door or drawers as means of support or as steps. This may cause the appliance to tip over or damage it.
- > Do not damage areas where refrigerant is circulating with drilling or cutting tools. If the gas ducts in the evaporator, the tubing extensions or the surface coatings are punctured, the refrigerant could blow out, causing skin irritation and eye injuries.
- > Do not cover or allow any object to block the ventilation openings in your refrigerator.
- > Ensure that beverages with higher alcohol content are tightly closed and store them vertically.

- > Do not use aerosol sprays near the appliance; this could result in a fire or explosion!
- > Flammable items, products that contain flammable gases (e.g. sprays) and explosive materials should never be stored inside the appliance.
- > Do not place containers filled with liquid on top of the appliance. Water spilling or splashing onto an electrical component could cause electric shock or a fire.
- > Do not store items that require precisely regulated temperatures (such as vaccines, heat-sensitive medication, materials for scientific study, etc.) in the refrigerator.
- > If you are not going to use the appliance for a long time, unplug it and remove the food from inside of it.
- > If there is a blue light on the refrigerator, do not look at this light using an optical instrument.
- > Exposing the appliance to rain, snow, sun or wind is dangerous in terms of electrical safety.
- > If the appliance has a mechanical control system (thermostat), wait for 5 minutes to plug the appliance back in again after unplugging.
- > Do not overload the refrigerator. Objects in the refrigerator may fall when the door is opened, causing injury or property damage. Placing objects on top of the appliance may give rise to a similar hazard.
- > If the refrigerator has a door handle, do not use that handle to move it. The handle might be loose.
- > Be careful not to place your hand or any other body part in the moving parts of the refrigerator.
- > Do not place your hand or any other foreign object into the ice machine while it is operating.

1.2 Intended Use

- > This product has been designed for domestic use. It must not be used in any way other than that for which it is intended. It is not suitable for commercial use.
- > It must be used only for storing food.
- > The manufacturer shall not be held liable for any damages resulting from improper use or transport.
- > Original spare parts will be available for 10 years following the product's purchase date.

1.3 Children's Safety

- > If there is a lock on the door of the appliance, the key should be kept out of reach of children.
- > Do not allow children to play with the product.



CAUTION

Before disposing of your old refrigerator or freezer:

- Children may get trapped inside.
- Remove the doors.
- Leave the shelves in place to prevent children from climbing inside the product easily.

1.4 Compliance with the WEEE Directive and Disposing of the Waste Product



This product conforms to the EU WEEE Directive (2012/19/ EU). It bears a classification symbol for waste electrical and electronic equipment (WEEE).

This product has been manufactured using high quality parts and materials, which can be reused and are suitable for recycling. Therefore, do not dispose of the product with ordinary household waste or other waste at the end of its service life. Take it to a collection center for recycling electrical and electronic equipment. Please consult your local authorities to learn about the locations of such collection centers.

1.5 Compliance with the RoHS Directive

The unit you have purchased conforms to the EU RoHS Directive (2011/65/EU). It does not contain materials specified in the Directive as harmful or prohibited.

1.6 Packaging Information

The packaging materials for this product have been manufactured from recyclable materials in accordance with National Environmental Regulations. Do not dispose of the packaging materials with ordinary household waste or other types of waste. Take these materials to a recycling location designated by local authorities.



CAUTION

Risk of Fire or Explosion:

- This product uses flammable refrigerant.
- Do not use mechanical devices to defrost the refrigerator.
- Do not use chemicals for cleaning.
- Do not pierce the refrigerant tubing.

- If the refrigerant tubing is pierced, it must be repaired only by licensed service personnel.
- Please consult the maintenance and use manual before cleaning the product. All safety instructions must be followed.
- Dispose of the product in accordance with federal or local regulations.

impact risk.

- > Do not install anything on or over the hot water inlet.
- > Take the necessary measures to prevent any risk of the hoses freezing.
- > The operating water temperature range is between a minimum of 34°F (1 °C) and a maximum of 100°F (38 °C).



WARNING

Never connect the product to a cold-water supply system with a pressure higher than 80 psi (5.5 bars).

1.7 Hydrocarbon (HC) Warning

Your product's cooling system contains R600a. This gas is flammable. Therefore, be careful not to damage the cooling system or the tubing during use or transportation. If damaged, keep the appliance away from potential sources of ignition, which could cause it to catch fire, and ventilate the room where the appliance is placed.



Note

If the appliance is damaged or if you see a gas leak, please keep away from the gas. It may cause ice burn if it comes into contact with the skin.



Note

The type of gas used in the product is listed on the rating label, which is located on the left interior wall of the refrigerator.



WARNING

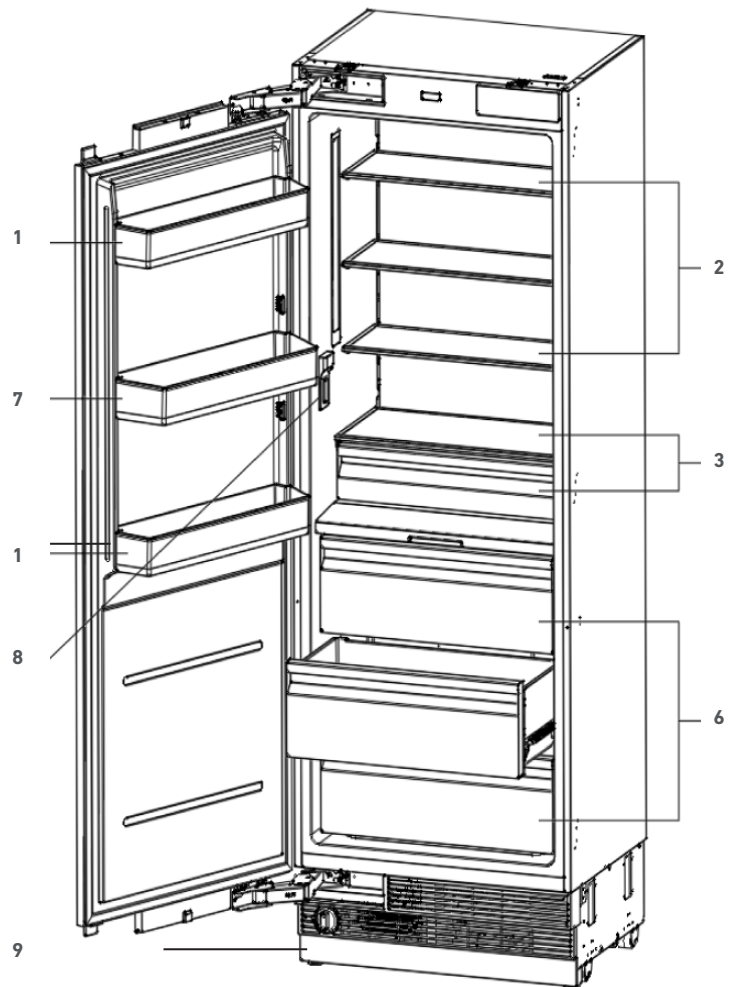
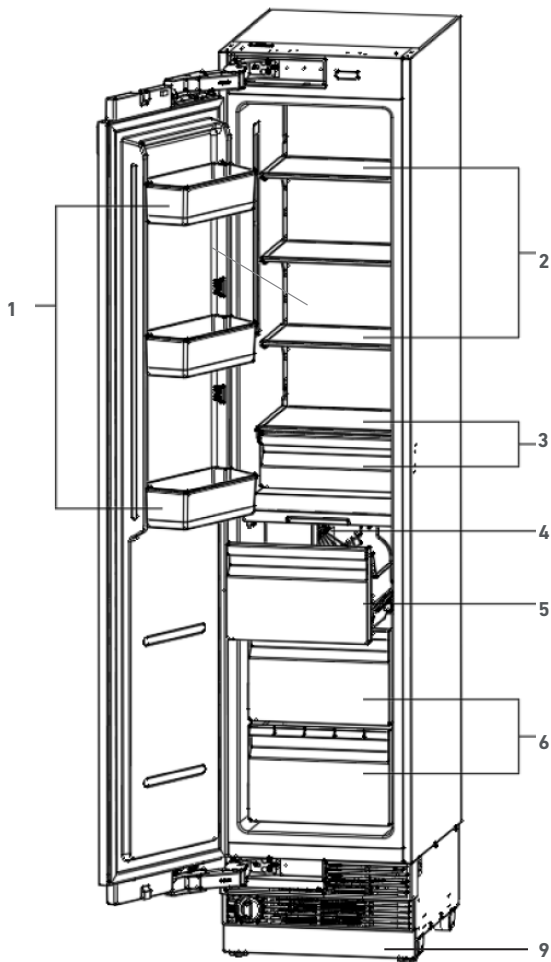
Never attempt to burn the product as a means of disposal.

1.8 For Appliances with a Water Dispenser/Ice Machine

- > The operating pressure for the cold water inlet is 25-80 psi (1.7-5.5 bars). If the water pressure exceeds 80 psi (5.5 bars), install a pressure limiting valve to your water supply system.
- > If the water supply pressure is lower than 25 psi (1.7 bar), you can use an auxiliary pump to compensate for the low pressure.
- > If you do not know how to check the water pressure, please consult a professional plumber.
- > If there is a risk of water jet impact during your installation, make sure to use water jet impact protection equipment during installation.
- > Please consult a professional plumber if you are not sure if your installation involves a water jet

2. REFRIGERATOR COMPONENT LIST

EN

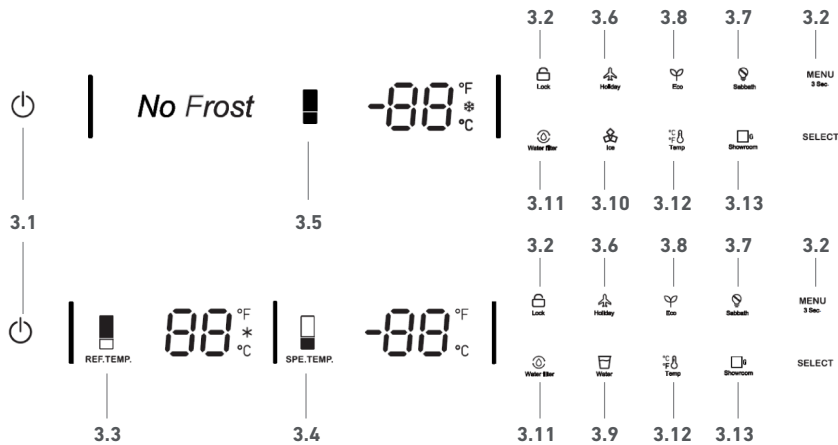


Note

The figures in this user manual are schematic and may not match the product exactly. If your product does not have the parts described, the information applies to other models.

- 1) Door bin
- 2) Shelving
- 3) Soft close small drawers
- 4) Ice maker
- 5) Soft close ice drawers
- 6) Soft close big drawers ("Fresco" compartment)
- 7) Gallon door bin
- 8) Water dispenser
- 9) Water filter

3. DISPLAY PANEL SETUP INSTRUCTIONS



Note

The figures in this user manual are schematic and may not match the product exactly. If your product does not have the parts described, the information applies to other models.

3.1 On/Off button

Serves to switch the whole appliance On or Off. Press the button to switch on the appliance; it will switch on after 5 seconds. Press and hold the On/Off button for 2 seconds to switch off.

3.2 Button for Function Selection and for Enabling/Disabling the Child Lock

The child lock is a feature for preventing children from changing the appliance's settings. Press and hold the MENU button for 3 seconds to lock/unlock the control panel.

When the child lock is enabled, the lock symbol will light up on the display.

3.3 Refrigerator compartment temperature adjustment button

Press the REF. TEMP. button to adjust the temperature within a range of between 35°F (2°C) and 46°F (8°C). The best temperature for the fresh food compartment is 39°F (4°C).

The Super Cool function can be activated by continuing to press after reaching 35°F (2°C). The "snow" symbol will light up on the display and the

function will be activated. The refrigerator will operate at 35°F (2 °C) for 24 hours. After that, the function will quit automatically and the refrigerator compartment will go back to its original temperature setting.

NOTE: The default temperature setting is 41°F (5°C) for the fridge compartment.

3.4 Fresco compartment temperature adjustment button

Press the SPE. TEMP. button to adjust the special fridge compartment temperature within a range of between 30°F (-1°C) and 41°F (5°C).

NOTE: The default temperature setting is 35°F (2°C) for the special fridge compartment.

3.5 Freezer compartment adjustment button

Press the FRE. TEMP. button to adjust the freezer compartment temperature within a range of between 5°F (-15°C) and -11°F (-24°C).

The Super Freeze function will be enabled if you keep pressing the button after having reached -11°F (-24°C). When the "snow" symbol lights up on the display, the Super Freeze function will activate and the freezer will operate at -11°F (-24°C) for 24 hours. After that, the function will quit automatically and the freezer compartment will go back to its original temperature setting.



Note

The default temperature setting for the freezer compartment is 0°F (-18°C).

3.6. Vacation Mode

Press the MENU button until the vacation symbol lights up, then press the SELECT button to enable the function. When the Vacation Mode function is enabled, the fridge temperature will be set at 62°F (17°C) and the freezer temperature at 0°F (-18°C) automatically. When Vacation Mode is selected, the system will operate continuously. To deactivate Vacation Mode, press the MENU button until the vacation symbol lights up, then press SELECT.



Note

Do not store food in the fresh food compartment when Vacation Mode is enabled.

3.7. Sabbath Mode

Press the MENU button until the Sabbath Mode symbol lights up, then press the SELECT button to enable the function. When the Sabbath Mode function is enabled, all lights, buzzers and display panels will be switched off. To deactivate Sabbath Mode, press the MENU button until the Sabbath Mode symbol lights up, then press SELECT.

3.8. Eco Mode

Press the MENU button until the Eco Mode symbol lights up, then press the SELECT button to enable the function. When the Eco Mode function is enabled, the fridge temperature will be set at 46 °F (8 °C) and the freezer temperature at 5 °F (-15 °C) automatically. To deactivate Eco Mode, press the MENU button until the Eco symbol lights up, then press SELECT.

3.9. Water Dispenser (if applicable)

Press the MENU button until the water dispenser symbol lights up, then press the SELECT button to enable the function. When the water dispensing function is enabled, fresh water can be dispensed from the dispenser fitted on the internal wall.

3.10. Ice Making (if applicable)

Press the MENU button until the ice making symbol lights up, then press the SELECT button to enable the function. When the ice making function is enabled, the ice maker will operate automatically and ice cubes will accumulate in the ice tray. Ice production is 3.9 lbs/24 hrs.



Note

Prepare the water filter for use before using the ice maker. After connecting the refrigerator to a water source or after replacing the water filter, fill and discard two full containers of ice.

3. DISPLAY PANEL SETUP INSTRUCTIONS

3.11. Water filter replacement (if applicable)

The water filter symbol flashes and beeps to advise the user to replace the water filter.

After the replacement is complete, reset the filter counter by pressing and holding the SELECT button for 5 seconds. Failing to reset the filter counter will put the water dispenser and ice maker in standby mode, preventing them from dispensing water and ice. The set replacement time is 130 days.

The refrigerator comes equipped with a water plug designed to replace the water filter when connected to a centralized water treatment system or when the filter is not used. If your refrigerator is connected to such a system, remove the filter and install the water plug in its place within the filter casing.

After 130 days of use, an alarm on the user interface will remind to reset the filter counter, even when using the water plug.



NOTE

Failure to reset the filter counter will cause the water dispenser and ice maker to enter standby mode and cease to function.

3.12. Celsius and Fahrenheit selection

To switch between Celsius and Fahrenheit, press the MENU button until the Celsius and Fahrenheit selection symbol lights up. Press the SELECT button to confirm your choice.

4.1 Ways to Save Energy

**WARNING**

Connecting your refrigerator to an energy saving system is dangerous, as this may damage your appliance.

- > Do not leave the doors of your refrigerator open for a long time.
- > Do not put hot food or drinks into your refrigerator.
- > Do not overload the refrigerator. Cooling capacity will fall when air circulation in the refrigerator is obstructed.
- > Do not place the refrigerator in direct sunlight. Install the product at least 12" (30 cm) away from heat sources such as kitchen ranges, ovens, heater units and stoves and at least 2" (5 cm) away from electric ovens.
- > Be sure to store your food in closed containers inside the refrigerator.
- > You can remove the drawer shelf in the freezer compartment in order to fill the freezer compartment with the maximum amount of food. The appliance's provided energy consumption value has been determined with the freezer compartment shelf or drawer removed and with the refrigerator filled with the maximum amount of food. There is no harm in choosing to use a shelf or drawer based on the shapes and sizes of the food to be frozen.
- > Thawing frozen foods in the fridge compartment both saves energy and preserves the quality of the foods.

**Note**

The temperature in the room where your refrigerator is located should at least be 50°F (10°C). Operating your refrigerator in cooler conditions is not recommended, in terms of its efficiency.

**Note**

The inside of your refrigerator must be kept perfectly clean.

**Note**

If two refrigerators are to be installed side by side, there should be at least 1½" (4 cm) distance between them.

4.2 Recommendations for the Fresh Food Compartment

- > Make sure that the food does not touch the temperature sensor in the fresh food compartment. To allow the fresh food compartment to maintain its ideal storage temperature, the sensor must not be obstructed by food items.
- > Do not place hot foods or beverages inside the appliance.

4.3 Initial use

Before using the appliance, make sure that all preparations have been made according to the instructions provided in the section "Important Information Regarding Safety and the Environment" and in the Installation Manual..

- > Clean the interior of the refrigerator as recommended in the "Maintenance and Cleaning" section. Before you turn on the refrigerator, make sure that the interior is dry.
- > Plug the refrigerator into a grounded socket. The interior lighting comes on when the refrigerator door is opened.
- > Run the refrigerator for 6 hours before placing any food in it and do not open its door unless it is necessary.

**Note**

You will hear a noise when the compressor starts up. The liquids and gases sealed within the refrigeration system may also cause noise, even if the compressor is not running. This is quite normal.

**Note**

The front edges of the refrigerator may feel warm. This is normal. These areas are designed to be warm in order to prevent condensation.

5. OPERATING THE APPLIANCE

5.1 Dual Cooling System

Your refrigerator is equipped with two separate cooling systems, one for the fresh food compartment and one for the freezer compartment.

This way the air and odor in the fresh food compartment and the frozen food compartment do not mix.

Thanks to these two separate cooling systems, the cooling speed is much higher than that of other refrigerators. Also, it allows for additional power savings, since defrosting is performed separately.

5.2 Freezing Fresh Food

➤ Wrap foods or place them in a covered container before putting them in the refrigerator.

➤ Hot foods and beverages must have cooled down to room temperature before you put them in the refrigerator.

➤ The food that you want to freeze must be fresh and in good condition.

➤ Divide the food into portions according to your family's daily or meal-based consumption needs.

➤ Pack the foods in an airtight manner to prevent them from drying out, even if they are only going to be stored for a short time.

➤ Materials to be used for packaging must be tear-proof and resistant to cold, humidity, odor, oils and acids; they must also be airtight. Moreover, they must be well sealed and made from easy-to-use materials that are suitable for deep freezers.

➤ Frozen food must be used immediately after thawing; it must never be refrozen.

➤ Do not freeze very large amounts of food at one time. The quality of the food is best preserved when it is frozen right through to the core as quickly as possible.

➤ Placing warm food into the freezer compartment causes the cooling system to run continuously until the food is frozen solid.

5.3 Recommendations for Storing Frozen Food

➤ Frozen foods you purchase must be stored in the conditions and at the temperature determined by the food manufacturer.

➤ To ensure that the high quality achieved by the frozen food manufacturer and the food retailer is maintained, heed the following recommendations:

1. Put packages in the freezer as quickly as possible after purchase.

2. Make sure that packages are labeled and dated.

3. Check whether or not the "Use By" or "Best Before" date on the packaging has passed.

5.4 Arranging the foods

Compartment	Food
Freezer compartment shelves	Various frozen foods (meat, fish, ice cream, vegetables, etc.)
Egg tray	Eggs
Fridge compartment shelves	Food in pans, covered plates and closed containers
Door bins in the fridge compartment	Small and packaged foods or beverages (milk, fruit juice, beer, etc.)
Crisper	Fruit and vegetables
Special fridge compartment	Delicatessen products (cheese, butter, salami, etc.)

5.5 Operating temperature

FREEZER	FRIDGE	NOTES
0°F (-18°C)	39°F (4°C)	This is the recommended normal setting.
-4°F (-20°C)	37°F (3°C)	These settings are recommended when the ambient temperature is above 86°F (30 °C).
Super Freeze	39°F (4°C)	Use when you wish to freeze your food in a short time. Your appliance will return to its previous mode when the process is over.
-11°F (-24°C)	35°F (2°C)	Use these settings if you think that your fridge compartment is not cold enough because of hot ambient conditions or frequent opening and closing of the door.
0°F (-18°C) or colder	Super Cool	Use this function when you are putting a lot of things into the fridge compartment at once or when you need to cool your food quickly. It is recommended that you activate the Super Cool function 4-8 hours before adding the food.

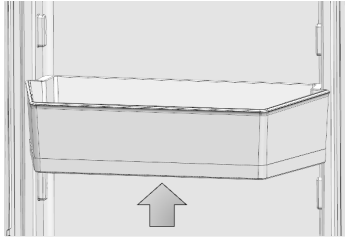
Recommended Operating Temperature:

Fridge: 39°F (4°C), Freezer: 0°F (- 18°C), Fresco 35 °F (2 °C).

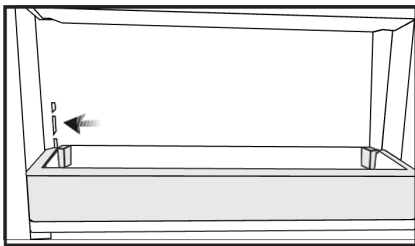
5. OPERATING THE APPLIANCE

5.6 Door Bins

To remove a door bin, hold it from the bottom, lift it and slide it out. Please see the figure.



To adjust the height of a door bin, press and hold the buttons at the right and left sides to adjust the bin to the desired height without having to remove it. To remove the adjustable door bin, press and hold the buttons, lift the bin completely and pull it towards yourself. To reinstall the door bin, position it in its place on the door and press the buttons to slide it downwards. Please see the figure.



5.7 Glass Shelves

The height of the glass shelves can be adjusted manually using the rear hangers. Holding a shelf from the bottom, lift the front part and raise it to an angled position; the tabs on the hangers will be released and the glass shelf will move up and down.

To remove a shelf

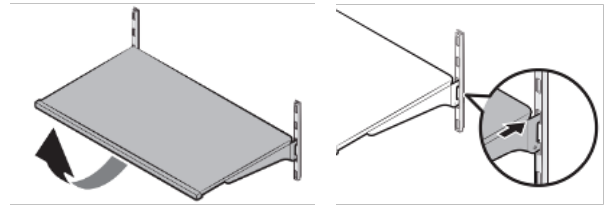
- Hold the front of the shelf, then gently lift up and slide it out.

To reinsert

- Hold the shelf at an angle so that the front is higher than the back, then insert the top hook into the top shelf notch you wish to use.
- Lower the front gently.

Note

To prevent breakage or scratching the interior of the fridge, use care when handling glass shelves.



WARNING

Glass shelves must be unloaded before moving.



WARNING

You must wait for the glass shelves to reach room temperature before immersing them in water for cleaning.



WARNING

The door may not close if the door bins are positioned at the same level as the glass shelves. After placing the shelves, make sure that the door can close properly.

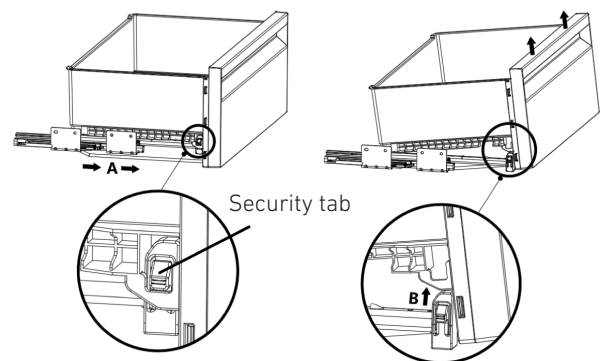
5.8 Refrigerator Drawers

To remove a drawer

- Pull out the drawer until it stops.
- Gently unclip the front section of the drawer, then pull it out completely.

To install a drawer

- Pull the rails as far forward as they will go.
- Align the gaps at the rear corners of the drawer with the components located at the rear ends of the rails.
- Push the drawer slowly down until you feel it clip onto the rails at the front.



Note

Make sure that the components on the right- and left-hand sides of the rails are firmly secured when installing the drawer.

**Note**

Never leave vegetables in their plastic bags in the drawer. If they are left in their plastic bags, they will spoil in a short period of time.

The drawers preserve the humidity of your vegetables, allowing you to store them for a longer time without having to keep them in their bags.

If you prefer that the vegetables not come into contact with each other for hygienic reasons, you can use perforated paper, foam or other similar materials instead of plastic bags.

When positioning the vegetables in the drawers, their specific weights should be taken into consideration. Heavy and hard vegetables must be placed at the bottom of the drawer and light and soft vegetables must be kept on top.

Pears, kiwis, tomatoes, cucumbers, apricots, peaches, broccoli, lettuce, cabbage, parsley and spinach are fruits and vegetables that emit ethylene gas. Do not place them in the same crisper with other fruits and vegetables. The ethylene gas emitted by these foods causes other fruits and vegetables to ripen sooner and to spoil in a shorter span of time.

Do not remove the drawer from the refrigerator unless you must do so.

5.9 Fresco Compartment

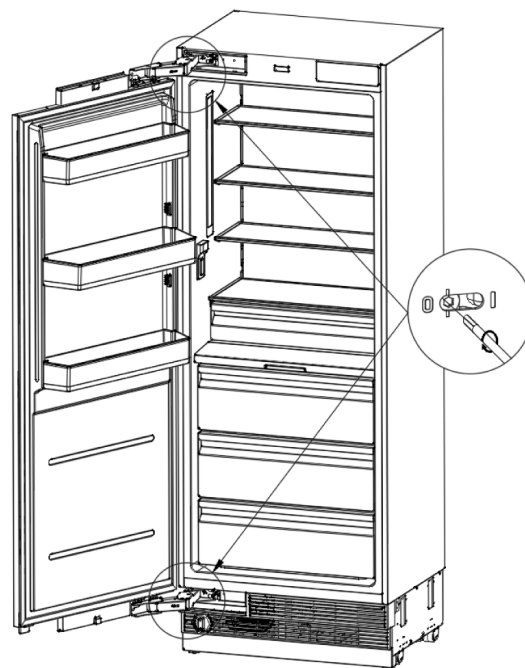
This section is designed for storing foods such as fish, meat and vegetables, as well as deli products such as cheese and cold cuts. You can control the temperature in this compartment in order to preserve them better.

**Note**

Removal/installation procedures for the special fridge compartment are the same as those for the refrigerator drawers.

5.10 Hinge Adjustment

When adjusting the tightness of the hinge: The tightness of the lower and upper door hinges of the fresh food compartment can be adjusted with the help of a drill. Move the hinge adjustment screw to position "1" from position "0".



5.11 Changing the Direction of the Door

Please see the installation instructions provided with the appliance.

5.12 Water filter replacement

Water filter cartridge

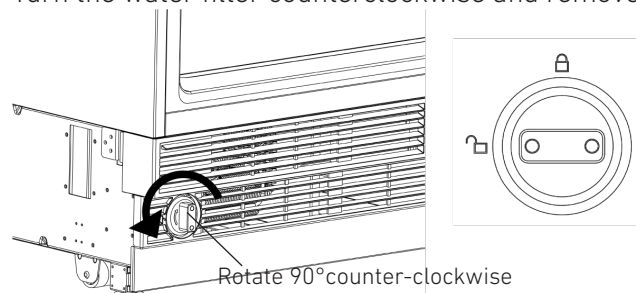
The water filter cartridge is located at the bottom part of the unit.

The filter cartridge should be replaced every 130 days, otherwise water flow to the water dispenser or to the icemaker decreases.

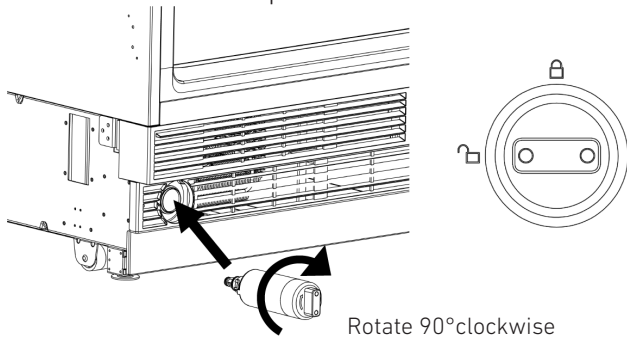
The water filter replacement alarm symbol lights up on the refrigerator/freezer display after 130 days of use of each installed water filter.

Changing the water filter cartridge

Turn the water filter counterclockwise and remove.



Insert the water filter – with the knobs at the front in a horizontal position as far as it will go, and turn clockwise until it snaps in.



After replacing the water filter cartridge

In refrigerator columns, run 2 gallons (8 liters) from the water dispenser to remove air from the system. A newly installed filter cartridge gushes and drips water until the air is removed from the system.

In freezer columns, the ice maker may not immediately produce ice. First ice cubes may be irregularly shaped. Discard the first bin full of ice to allow air to purge from the system. A newly installed filter cartridge gushes and drips water in the ice maker until the air is removed from the system.

After changing the water filter, press SELECT button for 5 seconds to reset the alarm.

Note

It is normal for the first water and ice released from the dispensers to appear discolored. The color will return to normal once all of the above procedures are completed.

6. Maintenance and Cleaning

The service life of the product will be extended and frequently encountered problems will occur less often if the product is cleaned periodically.



WARNING

Switch off the product before cleaning.



WARNING

It is recommended that you clean the condenser every six months, using gloves. Do not use a vacuum cleaner.

Never use gasoline, benzene or any similar substance for cleaning purposes.

Never use any sharp or abrasive instrument, soap, household cleaner, detergent or wax polish for cleaning.

Dissolve one teaspoon of sodium bicarbonate in half a liter of water. Soak a cloth in the solution and wring it out thoroughly. Wipe the interior of the refrigerator with this cloth and dry thoroughly.

Make sure that no water penetrates the lamp housing or other electrical parts.

If you will not be using the refrigerator for a long time, unplug it, remove all of the food from inside, clean it out and leave the door ajar.

Check regularly that the door seals are clean. If not, clean them.

Take everything out of the appliance before removing the door and the upper fridge shelves.

Remove the door bins by pulling them up. Slide the shelves downwards to reinstall them after cleaning.

Never use water or cleaning agents that contain chlorine to clean the exterior surfaces or the chrome parts of the product. Chlorine causes abrasion on metal surfaces of this type.

6.1 Preventing Unpleasant Odors

Materials that can cause odors are not used in the manufacturing of our refrigerators. However, odors may be emitted by foods that are stored improperly or if the interior surfaces of the product are not cleaned as required.

Please heed the following tips in order to prevent this problem:

It is important that the refrigerator be kept clean. Food residues, spills, etc. can cause odors. For this reason, clean your refrigerator with a solution of sodium bicarbonate dissolved in water every 15 days. Never use detergents or soaps.

Keep your food in closed containers. Microorganisms escaping from uncovered containers can cause unpleasant odors.

Never keep expired or spoiled foods in your refrigerator.

6.2 Protecting Plastic Surfaces

Do not put unsealed containers containing oils in liquid form or meals cooked in oil into your refrigerator, as these may damage the plastic surfaces of your refrigerator.

If oil is spilled or smeared onto the plastic surfaces, clean and rinse the affected areas immediately using warm water.



WARNING

Switch off the product before cleaning.

6.3 Cleaning the Interior Surfaces

To clean the interior surfaces and all removable parts, wash them with a mild solution of soap, water, and sodium bicarbonate. Rinse and dry thoroughly. Do not allow the water to come into contact with the lighting equipment or control panel.



WARNING

Do not use vinegar, rubbing alcohol or any alcohol-based cleaning agent on any of the interior surfaces.

6.4 Stainless Steel Exterior Surfaces

Use a non-abrasive stainless-steel cleaning agent; apply it with a soft, lint-free cloth.

For polishing, wipe the surface gently with a damp microfiber cloth and follow with dry washleather.

Always rub in the direction of the grain of the stainless steel.

7. TROUBLESHOOTING

Please review this list before calling customer service. This will save you time and money. This list contains frequently encountered problems that are not the result of faulty workmanship or wear. Your product may not have some of the features described here.

The refrigerator is not operating

- It may not be plugged in properly.
 - > Plug in the product properly.
- The fuse of the socket to which your refrigerator is connected or the main fuse may have blown.
 - > Check the fuse.

There is condensation in the fridge compartment

- The door may have been opened/closed frequently.
 - > Do not open/close the refrigerator door frequently.
- The surrounding environment may be too humid.
 - > Do not install the refrigerator in a location with a very high level of humidity.
- Foods containing liquids may have been placed inside the refrigerator in containers without covers.
 - > Do not place foods containing liquids inside the refrigerator in unsealed containers.
- The refrigerator door may have been left ajar.
 - > Do not keep the doors of your refrigerator open for a long time.

The compressor is not operating

- The compressor's thermal overload protector will shut the compressor off in the event of a sudden power failure or when the appliance is unplugged then plugged back in, as the pressure of the refrigerant in the refrigerator's cooling system has not yet been balanced.
- The refrigerator will start running again after approximately 6 minutes. If, after that amount of time has passed, the refrigerator has not started running again, please call your Authorized Service Provider.
- The freezer is in a defrosting cycle. >>>This is normal for a refrigerator that performs full-automatic defrosting. A defrosting cycle is performed periodically.
- The refrigerator may not be plugged in.
 - > Make sure that the plug fits the socket.
- The temperature settings may be incorrect.
 - > Select the correct temperature value.
- Possible power failure.
 - > The refrigerator will start to operate normally again once the power is restored.

The operating noise increases when the refrigerator is running

The refrigerator's performance may vary based on changes in the ambient temperature. This is normal and not a malfunction.

Vibration or noise

- The floor may not be stable or level.
 - > If the refrigerator shakes when moved slightly, adjust the feet to balance it. Make sure that the floor is level and capable of bearing the refrigerator's weight.
- Objects placed on top of the refrigerator may cause noise.
 - > Remove any objects that are on the refrigerator.

There are noises coming from the refrigerator, like liquid spilling or spraying

- Ordinary refrigerator operation involves flows of liquid and gas. This is normal and not a malfunction.

A whistle is heard coming from the refrigerator

- Fans are used to cool the refrigerator. This is normal and not a malfunction.

Moisture accumulates on the interior walls of refrigerator

- Hot and humid weather increases icing and condensation. This is normal and not a malfunction.
- The doors may have been opened frequently or left ajar for a long time.
 - > Do not open the doors frequently. Close the doors, if open.
- The door may have been left ajar.
 - > Close the door completely.

There is moisture accumulating on the exterior surfaces of the refrigerator or between the doors

- The ambient air may be humid. This is quite normal in humid weather or climates.
 - > The condensation will disappear when the humidity level decreases.
- Exterior condensation may occur in the section between the refrigerator's two doors if you use your appliance rarely. This is normal. This condensation will disappear with more frequent use.

There is an unpleasant odor inside the refrigerator

- Regular cleaning may not have been performed.
 - > Clean the inside of the refrigerator using a sponge, lukewarm water or a solution of water and sodium bicarbonate.
- Some containers or packaging materials can be

the source of unpleasant odors.

- Use a different container or packaging materials from a different brand.
- Food may have been placed inside the refrigerator in uncovered containers.
 - Store food in closed containers. Microorganisms escaping from uncovered containers can cause unpleasant odors.
- Remove any expired or spoiled foods from the refrigerator.

The door will not close

- Food packages may be preventing the door from closing.
 - Relocate any packages obstructing the door.
- The refrigerator may not be standing in a stable position on the floor.
 - Adjust the refrigerator's feet as required to ensure it is stable.
- The floor may not be level or sturdy.
 - Make sure that the floor is level and capable of bearing the refrigerator's weight.

Crispers are stuck

- Foods may be touching the ceiling of the crisper.
 - Rearrange the foods inside the crisper.



WARNING

If you cannot resolve the problem even by following the instructions in this section, consult your dealer or Authorized Service Provider. Never attempt to repair a malfunctioning product on your own.

8. CUSTOMER CARE

For any warranty information and service request, contact us:



In USA

<https://us.bertazzoni.com/more/support>

In CANADA

<https://ca.bertazzoni.com/more/support>

1. Instructions importantes concernant la sécurité et l'environnement	23
1.1 Sécurité générale	23
1.2 Utilisation prévue	24
1.3 Sécurité des enfants	24
1.4 Conformité à la directive DEEE et mise au rebut des déchets du produit	24
1.5 Conformité avec la directive RoHS	25
1.6 Informations sur l'emballage	25
1.7 Avertissement concernant les hydrocarbures (HC)	25
1.8 Pour les produits avec un distributeur d'eau/une machine à glaçons	25
2. Liste des composants du réfrigérateur	26
3. Instructions de configuration du panneau d'affichage	27
3.1 Touche Marche/Arrêt	27
3.2 Choix de la fonction / Touche de sécurité enfant	27
3.3 Touche de réglage de la température du compartiment réfrigérateur	27
3.4 Touche de réglage de la température du compartiment Frais	27
3.5 Touche de réglage du compartiment de congélation	27
3.6. Mode Vacances	28
3.7. Mode Sabbat	28
3.8. Mode Éco	28
3.9. Distributeur d'eau (le cas échéant)	28
3.10. Machine à glace (le cas échéant)	28
3.11. Remplacement du filtre à eau (le cas échéant)	29
3.12. Sélection des degrés Celsius et Fahrenheit	29
4. AVANT D'UTILISER LE RÉFRIGÉRATEUR	30
4.1 Mesures à prendre pour économiser l'énergie	30
4.2 Recommandations pour le compartiment des aliments frais	30
4.3 Première utilisation	30
5. Utilisation du produit	31
5.1 Système de double refroidissement	31
5.2 Congélation des aliments frais	31
5.3 Recommandations pour la conservation des aliments congelés	31
5.4 Placement des aliments	32
5.5 Température de fonctionnement	32
5.6 Balconnets	33
5.7 Clayettes en verre	33
5.8 Bacs du réfrigérateur	33
5.9 Compartiment Fresco	34
5.10 Réglage de la charnière	34
5.11 Changement du sens d'ouverture de la porte	34
5.12 Remplacement du filtre à eau	35
6. Entretien et nettoyage	36
6.1 Éviter les mauvaises odeurs	36
6.2. Protection des surfaces en plastique	36
6.3 Nettoyage de la surface intérieure	36
6.4 Surfaces extérieures en acier inoxydable	37
7. Résolution des problèmes	38
8. Service clientèle	39

Ce manuel vous aidera à apprendre à utiliser votre appareil rapidement et en toute sécurité.

- > Veuillez lire attentivement ce manuel d'utilisation avant d'installer et d'utiliser le produit.
- > Tenez toujours compte des informations de sécurité applicables.
- > Conservez le manuel d'utilisation dans un endroit facilement accessible pour toute utilisation future.
- > Veuillez lire tous les documents supplémentaires fournis avec le produit.

Garder à l'esprit que ce manuel peut s'appliquer à plusieurs modèles de produits.

Ce manuel indique expressément les différences entre les différents modèles.

**AVERTISSEMENT**

Risque de blessures et de dommages matériels.

**Remarque**

Informations importantes et conseils utiles.



Les matériaux d'emballage de ce produit ont été fabriqués à partir de matériaux recyclables, conformément aux réglementations nationales en matière d'environnement.

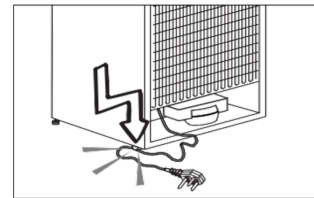
Ce chapitre contient des informations relatives à la sécurité qui aideront à éviter les risques de blessures corporelles ou de dommages matériels. Le non-respect de ces instructions entraîne l'annulation de la garantie du produit.

1.1 Sécurité générale

- > Ce produit peut être utilisé par les enfants à partir de 8 ans et les personnes dont les capacités physiques, sensorielles ou mentales sont limitées, ainsi que par les personnes manquant d'expérience et d'information, à condition qu'elles aient reçu les instructions relatives à l'utilisation sûre du produit, qu'elles soient supervisées et que les risques aient été éliminés. Les enfants ne doivent pas jouer avec le produit. Le nettoyage et l'entretien ne doivent pas être effectués par des enfants, sauf s'ils sont supervisés par un adulte.
- > Débranchez l'appareil si vous constatez un défaut de fonctionnement pendant son utilisation.
- > En cas de dysfonctionnement de l'appareil, il est nécessaire de l'éteindre et de ne pas le rallumer

tant qu'il n'a pas été réparé par un fournisseur de services autorisé. Risque de choc électrique !

- > Branchez l'appareil dans une prise de terre protégée par un fusible et correspondant à la valeur indiquée sur la plaque signalétique du produit. L'appareil ne doit pas être branché sur une prise protégée par un dispositif GFCI. Faites appel à un électricien qualifié pour relier l'appareil à la terre.



Notre société ne peut être tenue responsable des dommages résultant d'une utilisation de l'appareil sans prise de terre, conformément à la réglementation locale.

- > Débranchez l'appareil lorsque vous ne l'utilisez pas.
- > Ne lavez jamais l'appareil en versant, en tamponnant ou en pulvérisant de l'eau dessus. Risque de choc électrique !
- > Ne touchez jamais la fiche avec les mains mouillées !
- > Ne débranchez jamais l'appareil en tirant sur le cordon mais en saisissant la fiche. Appuyez toujours une main contre le panneau de prise tout en tirant la fiche.
- > Ne branchez pas le réfrigérateur si la prise murale est desserrée.
- > Ne connectez jamais votre réfrigérateur à un dispositif d'économie d'énergie. Ces systèmes sont nuisibles pour votre appareil.
- > Assurez-vous que l'appareil est débranché pendant l'installation, l'entretien, le nettoyage et les réparations.
- > Faites appel à votre **fournisseur de services agréé** pour installer l'appareil et réaliser ses connexions électriques. Le fabricant ne peut être tenu responsable des dommages résultant d'interventions effectuées par des personnes non autorisées.
- > Ne mangez pas de sucettes glacées ou de glaçons immédiatement après les avoir sortis du compartiment congélateur. Cela peut causer une brûlure due au froid dans votre bouche !
- > Ne touchez pas aux aliments congelés avec les mains mouillées. Ils risquent de coller à vos mains !
- > Ne mettez pas de boissons liquides en bouteille ou en cannette dans le compartiment congélateur. Ces récipients pourraient exploser !
- > N'utilisez jamais de vapeur ou de nettoyeurs à vapeur pour nettoyer ou dégivrer le réfrigérateur. La vapeur qui entre en contact avec les composants électriques de votre réfrigérateur peut provoquer un court-circuit ou un choc électrique !
- > N'utilisez pas de dispositifs mécaniques ou

1. INSTRUCTIONS IMPORTANTES CONCERNANT LA SÉCURITÉ ET L'ENVIRONNEMENT

d'autres moyens pour accélérer le processus de dégivrage. N'utilisez que ceux recommandés par le fabricant.

- N'utilisez jamais les composants du réfrigérateur, tels que la porte ou les tiroirs, comme moyen de support ou comme marches. L'appareil risque de basculer et d'être endommagé !
- Évitez d'endommager les zones où le réfrigérant circule avec des outils de forage ou tranchants. Si les conduits de gaz de l'évaporateur, les extensions de tubes ou les revêtements de surface sont perforés, le réfrigérant pourrait exploser, provoquant une irritation de la peau et des blessures aux yeux.
- Ne couvrez pas et ne laissez aucun objet obstruer les ouvertures de ventilation de votre réfrigérateur.
- Assurez-vous que les boissons à forte teneur en alcool sont bien fermées et entreposez-les verticalement.
- N'utilisez pas de vaporisateurs aérosols près de l'appareil : risque d'incendie ou d'explosion !
- Les articles inflammables, les produits contenant des gaz inflammables (p. ex. sprays) et des matières explosives ne doivent jamais être entreposés à l'intérieur de l'appareil.
- Ne placez pas de récipients remplis de liquide sur le dessus de l'appareil. Le déversement ou les éclaboussures d'eau sur un composant électrique pourraient provoquer un choc électrique ou un incendie.
- N'entreposez pas au réfrigérateur les articles dont la température est régulée avec précision (comme les vaccins, les médicaments thermosensibles, le matériel destiné à l'étude scientifique, etc.).
- Si vous n'utilisez pas l'appareil pendant une longue période, débranchez-le et retirez tous les aliments présents à l'intérieur.
- S'il y a une lumière bleue sur le réfrigérateur, ne regardez pas cette lumière à l'aide d'un instrument optique.
- Toute exposition de l'appareil à la pluie, à la neige, au soleil ou au vent est dangereuse en termes de sécurité électrique.
- Si l'appareil est équipé d'un système de contrôle mécanique (thermostat), une fois débranché, attendez 5 minutes avant de le rebrancher.
- Ne surchargez pas le réfrigérateur. Les objets présents dans le réfrigérateur peuvent tomber lorsque la porte est ouverte, causant des blessures ou des dommages matériels. Placer des objets sur le dessus de l'appareil peut donner lieu à un risque similaire.
- Si le réfrigérateur a une poignée de porte, n'utilisez pas cette poignée pour le déplacer. La poignée est peut-être desserrée.
- Veillez à ne pas placer votre main ou toute

autre partie du corps dans les parties mobiles du réfrigérateur.

- Ne placez pas votre main ou tout autre objet étranger dans la machine à glace pendant qu'elle fonctionne.

1.2 Utilisation prévue

- Ce produit a été conçu pour un usage domestique. Il ne doit pas être utilisé à un usage autre que celui auquel il est destiné. Il ne convient pas à un usage commercial.
- Il ne doit être utilisé que pour stocker des aliments.
- Le fabricant n'est pas responsable des dommages résultant d'une utilisation inappropriée ou d'un mauvais transport.
- Les pièces de rechange d'origine seront disponibles pendant 10 ans après la date d'achat du produit.

1.3 Sécurité des enfants

- S'il y a une serrure sur la porte de l'appareil, la clé doit être gardée hors de portée des enfants.
- Ne laissez pas les enfants jouer avec le produit.

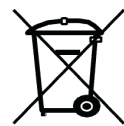


MISE EN GARDE

Avant de mettre au rebut votre ancien réfrigérateur ou congélateur, afin d'éviter que des enfants puissent rester bloqués à l'intérieur :

- retirez les portes ;
- laissez les étagères en place pour empêcher les enfants de grimper facilement à l'intérieur du produit.

1.4 Conformité à la directive DEEE et mise au rebut des déchets du produit



Ce produit est conforme à la directive DEEE de l'UE (2012/19 UE). Ce produit porte un symbole de classification pour les déchets d'équipements électriques et électroniques (DEEE). Ce produit a été fabriqué à partir de pièces et de matériaux de haute qualité qui peuvent être réutilisés et sont adaptés au recyclage. Par conséquent, ne pas mettre au rebut le produit avec les déchets domestiques normaux ou d'autres déchets à la fin de sa vie utile. L'apporter à un centre de collecte pour le recyclage des équipements électriques et électroniques. Consulter les autorités locales pour connaître l'emplacement de ces centres de collecte.

1.5 Conformité avec la directive RoHS

Le présent appareil est conforme à la directive européenne RoHS (2011/65/UE). Il ne contient pas de matériaux nocifs ou interdits spécifiés dans la directive.

1.6 Informations sur l'emballage

Les matériaux d'emballage du produit ont été fabriqués à partir de matériaux recyclables, conformément aux réglementations nationales en matière d'environnement. Ne pas mettre au rebut les matériaux d'emballage avec les déchets domestiques normaux ou d'autres types de déchets. Apporter ces matériaux à un point de recyclage désigné par les autorités locales.



MISE EN GARDE

Risque d'incendie ou d'explosion :

- Ce produit utilise du fluide frigorigène inflammable.
- N'utilisez pas de dispositifs mécaniques pour décongeler le réfrigérateur.
- N'utilisez pas de produits chimiques pour le nettoyage.
- Veillez à ne pas percer le tube du fluide frigorigène.
- Si le tube du fluide frigorigène est percé, faites appel uniquement à un technicien agréé pour le remplacer.
- Veuillez consulter le manuel d'entretien et d'utilisation avant de nettoyer le produit. Toutes les consignes de sécurité doivent être respectées.
- Les vieux appareils doivent être mis au rebut conformément aux réglementations fédérales et locales.

1.7 Avertissement concernant les hydrocarbures (HC)

Le système de refroidissement de votre produit contient du R600a. Ce gaz est inflammable. Par conséquent, veillez à ne pas endommager le système de refroidissement ou le tube pendant l'utilisation ou le transport. S'il est endommagé, éloigner le produit des sources de feu potentielles qui pourraient l'enflammer et ventiler la pièce où il est placé.



Remarque

Si l'appareil est endommagé ou si vous constatez une fuite de gaz, éloignez-vous de l'appareil. Le gaz peut causer des brûlures de glace s'il entre en contact avec la peau.



Remarque

Le type de gaz utilisé dans le produit est indiqué sur l'étiquette signalétique située sur la paroi intérieure gauche du réfrigérateur.



AVERTISSEMENT

Ne tentez jamais d'éliminer le produit en le brûlant.

1.8 Pour les produits avec un distributeur d'eau/une machine à glaçons

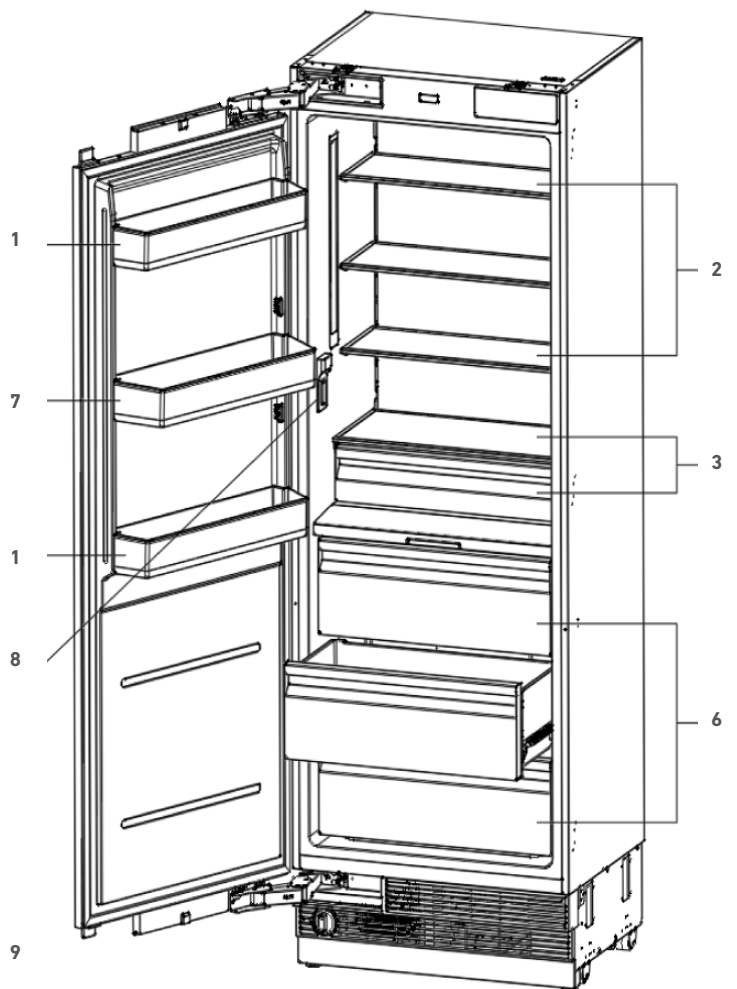
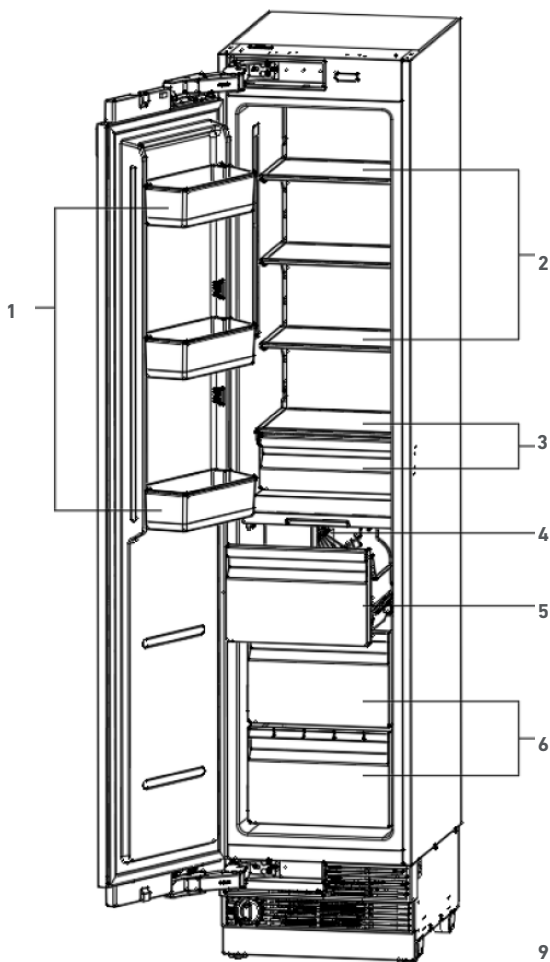
- > La pression de fonctionnement de l'entrée d'eau froide est de 25-80 psi (1,7 à 5,5 bars). Si la pression de l'eau dépasse 80 psi (5,5 bars), installez une soupape de limitation de pression sur votre système d'alimentation en eau.
- > Si la pression d'alimentation en eau est inférieure à 25 psi (1,7 bar), vous pouvez utiliser une pompe auxiliaire pour compenser la basse pression.
- > Si vous ne savez pas comment vérifier la pression de l'eau, veuillez consulter un plombier professionnel.
- > S'il y a un risque d'impact du jet d'eau lors de votre installation, assurez-vous d'utiliser un équipement de protection contre les chocs de jet d'eau lors de l'installation.
- > Veuillez consulter un plombier professionnel si vous n'êtes pas sûr que votre installation comporte un risque d'impact de jet d'eau.
- > N'installez rien sur ou au-dessus de l'entrée d'eau chaude.
- > Prenez toutes les mesures nécessaires pour prévenir tout risque de gel des tuyaux.
- > La plage de température de fonctionnement de l'eau se situe entre un minimum de 34 °F (1 °C) et un maximum de 100 °F (38 °C).



AVERTISSEMENT

Ne jamais raccorder le produit à un réseau d'eau froide dont la pression est supérieure à 80 psi (5,5 bars).

2. LISTE DES COMPOSANTS DU RÉFRIGÉRATEUR

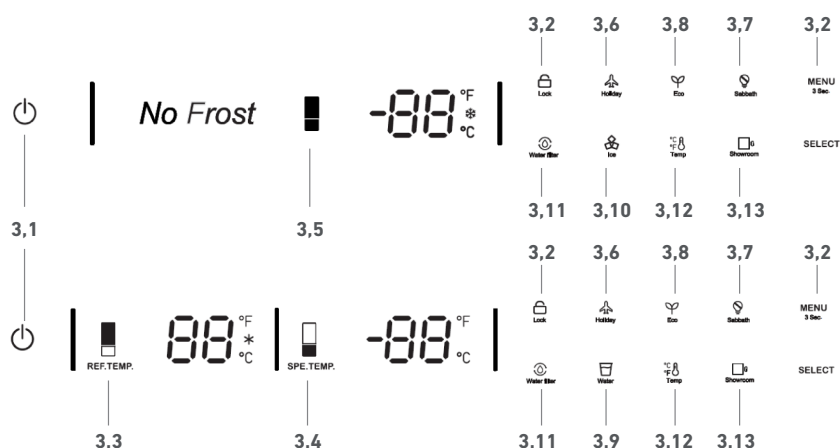


- 1)** Compartiment de porte
- 2)** Tablettes
- 3)** Petits bacs à fermeture douce
- 4)** Machine à glace
- 5)** Bacs à glace à fermeture douce
- 6)** Grands bacs à fermeture douce (compartiment « Fresco »)
- 7)** Balconnet de porte
- 8)** Distributeur d'eau
- 9)** Filtre à eau



Remarque

Les illustrations de ce manuel d'utilisation sont schématiques et peuvent ne pas correspondre exactement au produit. Si votre produit ne dispose pas des pièces correspondantes, les informations s'appliquent à d'autres modèles.



Remarque

Les illustrations de ce manuel d'utilisation sont schématiques et peuvent ne pas correspondre exactement au produit. Si votre produit ne dispose pas des pièces correspondantes, les informations s'appliquent à d'autres modèles.

3.1 Touche Marche/Arrêt

Cette touche sert à allumer et à éteindre l'ensemble de l'appareil. Appuyer sur le bouton pour allumer l'appareil ; il s'allumera après 5 secondes. Appuyer sur la touche marche/arrêt pendant 2 secondes pour éteindre l'appareil.

3.2 Choix de la fonction / Touche de sécurité enfant

La sécurité enfant est une fonction qui permet d'empêcher les enfants de modifier les paramètres du produit. En appuyant sur la touche MENU pendant 3 secondes, il est possible de verrouiller/déverrouiller le panneau de commande. Le symbole de verrouillage s'allume sur l'écran lorsque cette fonction est activée.

3.3 Touche de réglage de la température du compartiment réfrigérateur

Appuyez sur la touche REF. TEMP. pour régler la température dans une plage allant de 35 °F (2 °C) à 46 °F (8 °C). La température idéale pour le compartiment des aliments frais est de 39 °F (4 °C).

La fonction de Super réfrigération peut être activée en continuant d'appuyer sur la touche après 35 °F (2 °C). Le symbole « neige » s'allumera sur l'écran et la fonction sera activée. Le réfrigérateur fonctionnera à 35°F (2 °C) pendant 24 heures. Après cela, la fonction s'arrêtera automatiquement et reviendra au réglage de température d'origine.

REMARQUES : Le réglage par défaut de la température est de 41 °F (5 °C) pour le compartiment réfrigérateur.

3.4 Touche de réglage de la température du compartiment Fresco

Appuyez sur la touche SPE. TEMP. pour régler la température du compartiment spécial du réfrigérateur dans une plage de 30°F (-1°C) à 41°F (5°C).

REMARQUES : La température par défaut est de 2 °C (35 °F) pour le compartiment spécial du réfrigérateur.

3.5 Touche de réglage du compartiment de congélation

Appuyez sur la touche FRE. TEMP. pour régler la température du compartiment congélateur dans une plage de 5°F (-15°C) à -11°F (-24°C).

La fonction de Super congélation sera activée si l'on continue d'appuyer sur cette touche après -11 °F (-24 °C). Lorsque le symbole « neige » s'allumera sur l'écran, la fonction de super congélation sera activée et le congélateur fonctionnera à -11 °F (-24 °C) pendant 24 heures. Après cela, la fonction s'arrêtera automatiquement et reviendra au réglage de température d'origine.



Remarque

La température par défaut est de 0 °F (-18 °C) pour le compartiment de congélation.

3. INSTRUCTIONS DE CONFIGURATION DU PANNEAU D’AFFICHAGE

3.6. Mode Vacances

Appuyer sur la touche MENU jusqu’à ce que le symbole de vacances s’allume, puis appuyer sur la touche SELECT pour activer la fonction. Lorsque le mode Vacances est activé, la température du réfrigérateur est automatiquement réglée à 17 °C (62 °F) et celle du congélateur à 0 °F (-18 °C). Lorsque le mode Vacances est sélectionné, le système fonctionne en continu. Pour désactiver le mode Vacances, appuyer sur la touche MENU jusqu’à ce que le symbole de vacances s’allume, puis appuyer sur SELECT.



Remarque

Ne pas placer d’aliments dans le compartiment des aliments frais lorsque le mode Vacances est activé.

3.7. Mode Sabbat

Appuyer sur la touche MENU jusqu’à ce que le symbole du mode Sabbat s’allume, puis appuyer sur la touche SELECT pour activer la fonction. Lorsque le mode Sabbat est activé, toutes les lumières, les buzzers, les panneaux d’affichage s’éteignent. Pour désactiver le mode Sabbat, appuyer sur la touche MENU jusqu’à ce que le symbole du mode Sabbat s’illumine, puis appuyer sur la touche SELECT.

3.8. Mode Éco

Appuyer sur la touche MENU jusqu’à ce que le mode Éco s’allume, puis appuyer sur la touche SELECT pour activer la fonction. Lorsque le mode Éco est activé, la température du réfrigérateur est automatiquement réglée à 46 °F (8 °C) et celle du congélateur à -5 °F (-15 °C). Pour désactiver le mode Éco, appuyer sur la touche MENU jusqu’à ce que le symbole Éco s’allume, puis appuyer sur SELECT.

3.9. Distributeur d’eau (le cas échéant)

Appuyer sur la touche MENU jusqu’à ce que le symbole du distributeur d’eau s’allume, puis appuyer sur la touche SELECT pour activer la fonction. Lorsque la fonction de distribution d’eau est activée, de l’eau fraîche peut être fournie par le distributeur installé sur la paroi interne.

3.10. Machine à glace (le cas échéant)

Appuyer sur la touche MENU jusqu’à ce que le symbole de fabrication de glaçons s’allume, puis appuyer sur la touche SELECT pour activer la fonction. Lorsque la fonction de fabrication de glaçons est activée, la machine à glaçons fonctionne automatiquement et les glaçons s’accumulent dans le bac à glaçons. La production de glaçons est d’environ 3,9 lbs/24 h.



Remarque

Préparer le filtre à eau avant d’utiliser la machine à glaçons. Après avoir raccordé le réfrigérateur à une source d’eau ou après avoir remplacé le filtre à eau, remplir et jeter deux récipients pleins de glaçons.

3.11. Remplacement du filtre à eau (le cas échéant)

Le symbole du filtre à eau sur l'interface utilisateur clignote et émet des bips pour conseiller à l'utilisateur de remplacer le filtre à eau.

Une fois le remplacement terminé, appuyez sur la touche SELECT pendant 5 secondes pour réinitialiser le compteur du filtre. Si vous ne parvenez pas à réinitialiser le compteur du filtre, le distributeur d'eau et la machine à glaçons se mettront en mode veille, ce qui empêchera la distribution d'eau et de glaçons. Le délai de remplacement est réglé sur 130 jours.

Le réfrigérateur est équipé d'un bouchon d'eau conçu pour remplacer le filtre à eau lorsqu'il est connecté à un système de traitement d'eau centralisé ou lorsque le filtre n'est pas utilisé. Si votre réfrigérateur est connecté à un tel système, retirez le filtre et installez le bouchon d'eau à sa place dans le boîtier du filtre.

Après 130 jours d'utilisation, une alarme sur l'interface utilisateur rappellera de réinitialiser le compteur de filtre, même lors de l'utilisation du bouchon d'eau.



Remarque

Si le compteur de filtre n'est pas réinitialisé, le distributeur d'eau et la machine à glaçons passeront en mode veille et cesseront de fonctionner.

3.12. Sélection des degrés Celsius et Fahrenheit

Appuyer sur la touche MENU jusqu'à ce que le symbole de sélection des degrés Celsius et Fahrenheit s'allume pour passer des degrés Celsius aux degrés Fahrenheit. Appuyer ensuite sur la touche SELECT pour confirmer.

4. AVANT D'UTILISER LE RÉFRIGÉRATEUR

4.1 Mesures à prendre pour économiser l'énergie



AVERTISSEMENT

Il est dangereux de connecter votre réfrigérateur à des systèmes d'économie d'énergie, car ils peuvent endommager le produit.

- > Ne laissez pas les portes de votre réfrigérateur ouvertes pendant longtemps.
- > Ne mettez pas d'aliments ou de boissons chauds dans votre réfrigérateur.
- > Ne surchargez pas le réfrigérateur. La capacité de refroidissement diminue lorsque la circulation de l'air dans le réfrigérateur est entravée.
- > N'exposez pas le réfrigérateur à la lumière directe du soleil. Installer le produit à une distance d'au moins 12 " (30 cm) des sources de chaleur telles que les plaques de cuisson, les fours, les appareils de chauffage et les cuisinières, et à une distance d'au moins 2 " (5 cm) des fours électriques.
- > Veillez à conserver vos aliments dans des récipients fermés à l'intérieur du réfrigérateur
- > Vous pouvez retirer l'étagère du tiroir dans le compartiment congélateur afin de remplir le compartiment congélateur avec le maximum de nourriture. La valeur de consommation d'énergie donnée du réfrigérateur a été déterminée avec la clayette du compartiment de congélation ou le bac retiré, et le réfrigérateur rempli avec la quantité maximale de nourriture. Il n'y a aucun inconvénient à utiliser une clayette ou un bac en fonction de la forme et de la taille des aliments à congeler.
- > Décongeler des aliments congelés dans le compartiment du réfrigérateur permet à la fois d'économiser de l'énergie et de préserver la qualité des aliments.



Remarque

La température de la pièce où se trouve votre réfrigérateur doit être d'au moins 10 °C (50 °F). Il n'est pas recommandé de faire fonctionner votre réfrigérateur dans des conditions plus froides pour des raisons d'efficacité.



Remarque

L'intérieur de votre réfrigérateur doit être soigneusement nettoyé.



Remarque

Si deux réfrigérateurs doivent être installés côte à côte, il devrait y avoir une distance d'au moins 1½" (4 cm) entre eux.

4.2 Recommandations pour le compartiment des aliments frais

- > Assurez-vous que les aliments ne touchent pas le capteur de température dans le compartiment des aliments frais. Pour permettre au compartiment des aliments frais de maintenir sa température de stockage idéale, le capteur ne doit pas être obstrué par des aliments.
- > Ne placez pas d'aliments ou de boissons chauds à l'intérieur de l'appareil.

4.3 Première utilisation

- Avant d'utiliser le produit, s'assurer que tous les préparatifs ont été effectués conformément aux instructions données dans le chapitre « Instructions importantes concernant la sécurité et l'environnement » et le manuel d'installation.
- > Nettoyez l'intérieur du réfrigérateur comme recommandé dans la section « Entretien et nettoyage ». Avant de démarrer le réfrigérateur, s'assurer que l'intérieur est sec.
 - > Branchez le réfrigérateur dans une prise mise à la terre. L'éclairage intérieur s'allume lorsque la porte du réfrigérateur est ouverte.
 - > Faites fonctionner le réfrigérateur pendant 6 heures avant d'y placer des aliments et n'ouvrez pas sa porte à moins que cela ne soit nécessaire.



Remarque

Un bruit est audible lorsque le compresseur se met en marche. Les liquides et les gaz scellés dans le système de réfrigération peuvent également émettre un bruit, même si le compresseur ne fonctionne pas, ce qui est tout à fait normal.



Remarque

Les bords à l'avant du réfrigérateur peuvent être chauds. C'est normal. Ces zones sont conçues pour être chaudes afin d'éviter la condensation.

5. UTILISATION DU PRODUIT

5.1 Système de double refroidissement

Votre réfrigérateur est équipé de deux systèmes de refroidissement distincts pour refroidir le compartiment des aliments frais et le compartiment de congélation.

Ainsi, l'air et les odeurs du compartiment des aliments frais et du compartiment des aliments congelés ne se mélangent pas.

Grâce à ces deux systèmes de refroidissement séparés, la vitesse de refroidissement est beaucoup plus rapide que celle des autres réfrigérateurs. De plus, cela assure une économie d'énergie supplémentaire puisque le dégivrage est effectué séparément.

5.2 Congélation des aliments frais

> Enveloppez les aliments ou placez-les dans un récipient couvert avant de les mettre au réfrigérateur.

> Les aliments et les boissons chauds doivent avoir refroidi à température ambiante avant de les mettre au réfrigérateur.

> Les aliments que vous souhaitez congeler doivent être frais et en bon état.

> Divisez la nourriture en portions en fonction des besoins de consommation quotidienne ou des repas de votre famille.

> Emballez les aliments de manière hermétique pour les empêcher de se dessécher, même s'ils ne seront stockés que pendant une courte période.

> Les matériaux à utiliser pour l'emballage doivent être indéchirables et résistants au froid, à l'humidité, aux odeurs, aux huiles et aux acides. Ils doivent également être étanches à l'air. De plus, ils doivent être bien scellés et fabriqués à partir de matériaux faciles à utiliser et adaptés aux congélateurs.

> Les aliments congelés doivent être utilisés immédiatement après leur décongélation ; ils ne doivent jamais être recongelés.

> Ne congelez pas de très grandes quantités de nourriture en même temps. La qualité des aliments

est mieux préservée lorsqu'ils sont congelés jusqu'au cœur le plus rapidement possible.

> Le fait de placer des aliments chauds dans le compartiment congélateur fait fonctionner le système de refroidissement en continu jusqu'à ce que les aliments soient congelés solides.

5.3 Recommandations pour la conservation des aliments congelés

> Les aliments congelés que vous achetez doivent être entreposés dans les conditions et à la température déterminées par le fabricant de l'aliment

> Pour s'assurer que la haute qualité obtenue par le fabricant d'aliments surgelés et le détaillant alimentaire est maintenue, tenez compte des recommandations suivantes :

1. Mettez les emballages au congélateur le plus rapidement possible après l'achat.

2. Vérifiez que les emballages sont étiquetés et datés.

3. Vérifiez si la date limite de consommation ou la date de péremption indiquée sur l'emballage est dépassée.

5.4 Placement des aliments

Compartiment	Aliment
Clayettes du compartiment de congélation	Divers aliments surgelés comme la viande, le poisson, la glace, les légumes, etc.
Bac à œufs	Œufs
Clayettes du compartiment réfrigérateur	Aliments dans des casseroles, des assiettes couvertes et des récipients fermés
Balçonnets du compartiment réfrigérateur	Aliments ou boissons emballés de petite dimension (lait, jus de fruits, bière, etc.)
Bac à légumes	Fruits et légumes
Compartiment spécial du réfrigérateur	Produits d'épicerie fine (fromage, beurre, salami, etc.)

5.5 Température de fonctionnement

CONGÉLATEUR	RÉFRIGÉRATEUR	REMARQUES
-18 °C (0 °F)	4 °C (39 °F)	Il s'agit du réglage normal recommandé.
-20 °C (-4 °F)	3 °C (37 °F)	Ces réglages sont recommandés lorsque la température ambiante est supérieure à 30 °C (86 °F).
Super congélation	4 °C (39 °F)	À utiliser lorsque l'on souhaite congeler des aliments en peu de temps. Votre réfrigérateur reviendra à son mode précédent lorsque le processus sera terminé.
-24 °C (-11 °F)	2 °C (35 °F)	Utiliser ces réglages si l'on considère que le compartiment réfrigérateur n'est pas assez froid en raison de la chaleur ambiante ou de l'ouverture et de la fermeture fréquentes de la porte.
-18 °C (0 °F) ou plus froid	Super réfrigération	Utiliser cette fonction si le compartiment réfrigérateur est surchargé ou si l'on doit refroidir rapidement des aliments. Il est recommandé d'activer la fonction Super réfrigération 4 à 8 heures avant de placer les aliments

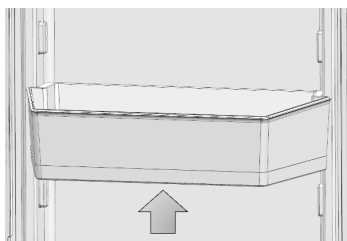
Température de fonctionnement recommandée :

Réfrigérateur : 39°F (4°C), Congélateur : 0°F (-18°C), Frais 35 °F (2 °C).

5. UTILISATION DU PRODUIT

5.6 Balconnets

Pour retirer un balconnet, le tenir par le bas, le soulever et le faire glisser vers l'extérieur. Voir la figure.



Pour régler la hauteur d'un balconnet, appuyer sur les boutons situés sur les côtés droit et gauche et les maintenir enfoncés pour régler le balconnet à la position souhaitée sans avoir à le retirer. Pour retirer le balconnet réglable, appuyer sur les boutons et les maintenir enfoncés, soulever complètement le balconnet et le tirer vers vous. Pour réinstaller le balconnet, le mettre en position sur la porte et le faire glisser vers le bas en appuyant sur les boutons. Voir la figure.



5.7 Clayettes en verre

La hauteur des clayettes en verre peut être réglée manuellement à l'aide de crochets arrière. Tenir les clayettes par le bas, soulever la partie avant et l'amener en position inclinée ; les languettes des crochets seront libérées et la clayette en verre se déplacera vers le haut et vers le bas.

Pour extraire la clayette

- Tenez l'avant de la clayette, puis soulevez-la doucement et faites-la glisser.

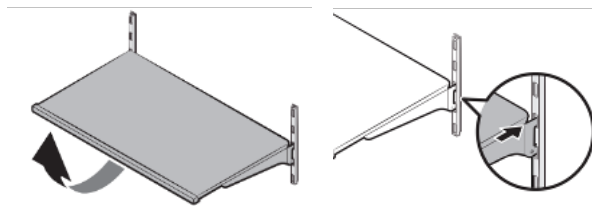
Pour réinsérer la clayette

- Tenez la clayette à un angle de sorte que l'avant soit plus haut que l'arrière, puis insérez le crochet supérieur dans l'encoche supérieure de l'étagère que vous souhaitez utiliser.
- Abaissez doucement l'avant.



Remarque

Faire preuve de prudence lors de la manipulation de clayettes en verre pour éviter de les casser ou de rayer l'intérieur.



AVERTISSEMENT

Les clayettes en verre doivent être vidées.



AVERTISSEMENT

Il est nécessaire d'attendre que les clayettes en verre atteignent la température ambiante avant de les plonger dans l'eau pour les nettoyer.



AVERTISSEMENT

La porte peut ne pas se fermer si les balconnets de porte sont placés au même niveau que les clayettes en verre. Après avoir placé les clayettes, vérifiez que la porte peut se fermer correctement.

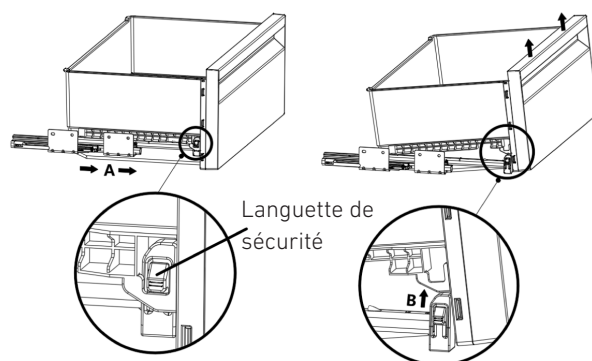
5.8 Bacs du réfrigérateur

Pour extraire un bac

- Tirez le bac jusqu'à la butée.
- Déclipsez délicatement la partie avant du bac, puis extrayez-le complètement.

Pour réinstaller un bac

- Tirez les rails le plus en avant possible.
- Alignez les espaces situés aux coins arrière du bac avec les composants situés aux extrémités arrière des rails.
- Poussez lentement le tiroir vers le bas jusqu'à ce que vous sentiez qu'il se clipse sur les rails à l'avant.



Remarque

S'assurer que les composants au niveau des côtés droit et gauche des rails sont solidement fixés lors de l'installation du bac.



Remarque

Ne laissez jamais les légumes emballés dans leur sac plastique à l'intérieur du bac. Si vous les conservez dans leur sac plastique, ils se gâteront en peu de temps

Les bacs préservent l'humidité de vos légumes, ce qui permet de les conserver plus longtemps sans avoir à les garder dans leurs sachets.

Si l'on ne souhaite pas que les légumes entrent en contact avec d'autres légumes pour des raisons d'hygiène, utiliser du papier perforé, de la mousse ou un matériau similaire à la place des sachets en plastique.

Lors du rangement des légumes, il est nécessaire de tenir compte de leur poids spécifique. Les légumes lourds et durs doivent être placés au fond du bac et les légumes légers et mous doivent se trouver dans la partie supérieure.

Les poires, kiwis, tomates, concombres, abricots, pêches, brocolis, laitues, choux, persil et épinards sont des fruits et légumes qui émettent du gaz éthylène. Ne pas les placer dans le même bac à légumes que d'autres fruits et légumes. Le gaz éthylène émis par ces aliments fait mûrir les autres fruits et légumes plus tôt et les fait pourrir en moins de temps.

Ne pas retirer le corps principal du bac du réfrigérateur, sauf en cas de nécessité.

5.9 Compartiment Fresco

Ce compartiment est conçu pour stocker des aliments tels que poisson, viande et légumes, ainsi que des produits de charcuterie tels que fromage et viandes froides. Vous pouvez contrôler la température dans ce compartiment afin de mieux les préserver.

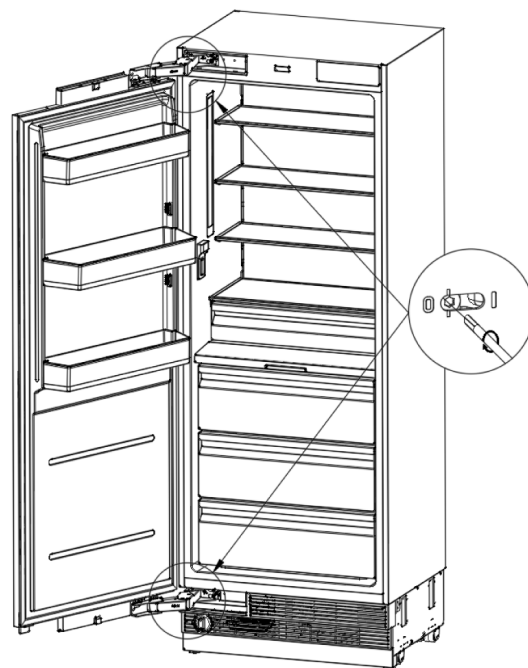


Remarque

Les procédures de retrait/installation du compartiment spécial du réfrigérateur sont les mêmes que celles des bacs du réfrigérateur.

5.10 Réglage de la charnière

Lors du réglage de la fermeture de la charnière : La fermeture des charnières inférieures et supérieures de la porte du compartiment des aliments frais est effectuée à l'aide d'une perceuse. Régler la vis de réglage de la charnière de la position « 0 » à la position « 1 ».



5.11 Changement du sens d'ouverture de la porte

Consulter les instructions d'installation fournies avec le produit.

5.12 Remplacement du filtre à eau

Cartouche de filtre à eau

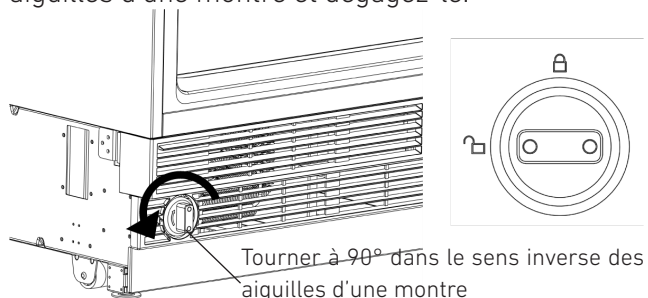
La cartouche du filtre à eau est située dans la partie inférieure de l'appareil.

La cartouche du filtre doit être remplacée tous les 130 jours, sinon le débit d'eau vers le distributeur d'eau ou vers la machine à glaçons diminue.

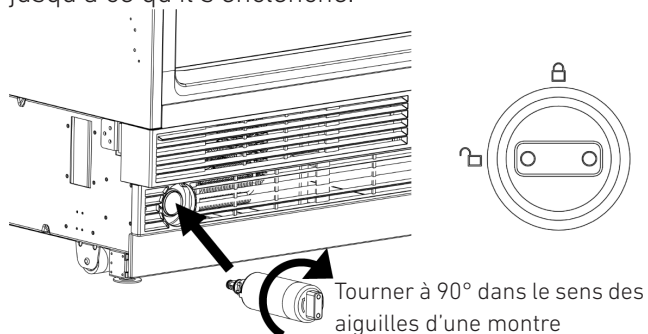
Le symbole d'alarme de remplacement du filtre à eau s'allume sur l'écran du réfrigérateur/congélateur après 130 jours d'utilisation de chaque filtre à eau installé.

Remplacement de la cartouche du filtre à eau

Tournez le filtre à eau dans le sens inverse des aiguilles d'une montre et dégagez-le.



Insérez le filtre à eau – avec les boutons à l'avant en position horizontale aussi loin que possible, et tournez dans le sens des aiguilles d'une montre jusqu'à ce qu'il s'enclenche.



Après avoir remplacé la cartouche du filtre à eau

Dans les colonnes du réfrigérateur, faites s'écouler 2 gallons (8 litres) du distributeur d'eau pour éliminer l'air du système. Une cartouche filtrante nouvellement installée gicle et fait couler de l'eau jusqu'à ce que l'air soit éliminé du système.

Dans les colonnes de congélateur, la machine à glaçons peut ne pas produire immédiatement de glace. Les premiers glaçons peuvent être de forme irrégulière. Jetez le premier bac rempli de glace pour permettre au système de purger l'air. Une cartouche filtrante nouvellement installée gicle et fait couler de l'eau dans la machine à glaçons jusqu'à ce que le système ait purgé l'air.

Après avoir remplacé le filtre à eau, appuyez sur la touche SELECT pendant 5 secondes pour réinitialiser l'alarme.



Remarque

Il est normal que la première eau et la première glace libérées par les distributeurs soient décolorées. La couleur reviendra à la normale une fois toutes les procédures ci-dessus terminées

6. ENTRETIEN ET NETTOYAGE

6. Entretien et nettoyage

La durée de vie du produit sera prolongée et les problèmes fréquemment rencontrés diminueront si le produit est nettoyé périodiquement.



AVERTISSEMENT

Éteindre le produit avant de le nettoyer.



AVERTISSEMENT

Il est recommandé de nettoyer le condenseur tous les six mois, en se munissant de gants. N'utilisez pas d'aspirateur.

Ne jamais utiliser d'essence, de benzène ou de substances similaires pour le nettoyage.

Ne jamais utiliser d'instruments abrasifs tranchants, de savon, de produits d'entretien ménager, de détergent ou de cire à polir pour le nettoyage.

Dissoudre une cuillère à café de bicarbonate dans un demi-litre d'eau. Tremper un chiffon dans la solution et l'essorer soigneusement. Essuyer l'intérieur du réfrigérateur avec ce chiffon et sécher soigneusement.

Veiller à ce que l'eau ne pénètre pas dans le boîtier de la lampe ni dans les autres pièces électriques.

Si le réfrigérateur ne doit pas être utilisé pendant une longue période, le débrancher, retirer tous les aliments qui s'y trouvent, le nettoyer et laisser la porte entrouverte.

Vérifier régulièrement que les joints de la porte sont propres. Dans le cas contraire, les nettoyer.

Sortir tous les éléments du produit pour retirer les balconnets et clayettes du réfrigérateur.

Dégagez les balconnets de porte en les tirant vers le haut. Faites glisser les clayettes en les inclinant vers le bas pour les réinstaller après le nettoyage.

Ne jamais utiliser de produits de nettoyage ou d'eau chlorés pour nettoyer les surfaces extérieures ou les parties chromées du produit. Le chlore provoque l'abrasion des surfaces métalliques.

6.1 Éviter les mauvaises odeurs

Les matériaux susceptibles de provoquer des odeurs ne sont pas utilisés dans la production de nos réfrigérateurs. Cependant, des odeurs peuvent être produites si les aliments sont stockés de manière incorrecte ou si la surface intérieure du produit n'est pas nettoyée comme il se doit.

Tenir compte des points suivants pour éviter ce

problème :

Il est important de garder le réfrigérateur propre. Les résidus d'aliments, les taches, etc. peuvent causer des odeurs. Pour cette raison, nettoyer votre réfrigérateur avec du bicarbonate dissous dans de l'eau tous les 15 jours. Ne jamais utiliser de détergents ou de savon.

Conserver vos aliments dans des récipients fermés. Les micro-organismes émis par les récipients sans couvercle peuvent provoquer des odeurs désagréables.

Ne jamais conserver d'aliments périmés ou avariés dans votre réfrigérateur.

6.2. Protection des surfaces en plastique

Ne pas mettre d'huiles liquides ou de plats cuisinés à l'huile dans votre réfrigérateur dans des récipients non fermés, car ils endommagent les surfaces en plastique de votre réfrigérateur.

Si de l'huile est renversée ou étalée sur les surfaces en plastique, nettoyer et rincer immédiatement la partie concernée de la surface à l'eau chaude.



AVERTISSEMENT

Éteindre le produit avant de le nettoyer.

6.3 Nettoyage de la surface intérieure

Pour nettoyer les surfaces intérieures et toutes les parties amovibles, les laver avec une solution douce composée de savon, d'eau et de bicarbonate. Rincer et essuyer soigneusement.

Éviter que l'eau n'entre en contact avec les dispositifs d'éclairage et le panneau de commande.



AVERTISSEMENT

Ne pas utiliser de vinaigre, d'alcool à brûler ou d'autres produits de nettoyage à base d'alcool sur les surfaces intérieures.

6.4 Surfaces extérieures en acier inoxydable

Utiliser un produit de nettoyage pour l'acier inoxydable non abrasif et l'appliquer avec un chiffon doux non pelucheux.

Pour le polissage, essuyer délicatement la surface avec un chiffon en microfibres humide et utiliser un cuir de lavage sec.

Toujours suivre le grainage de l'acier inoxydable. Consulter cette liste avant d'appeler le service après-vente. Cela permettra d'économiser du temps et de l'argent. Cette liste contient des problèmes fréquemment rencontrés qui ne sont pas le résultat d'un défaut de fabrication ou d'usure des matériaux. Il se peut que le produit ne possède pas certaines des caractéristiques décrites ici.

Le réfrigérateur ne fonctionne pas

- Il peut ne pas avoir été correctement branché.
 - > Branchez l'appareil correctement.
- Le fusible de la prise à laquelle votre réfrigérateur est connecté ou le fusible principal peut avoir sauté.
 - > Vérifiez le fusible.

Il y a de la condensation dans le compartiment réfrigérateur

- La porte a été ouverte puis refermée fréquemment.
 - > Évitez d'ouvrir et de refermer fréquemment la porte du réfrigérateur.
- L'environnement est peut-être trop humide.
 - > Évitez d'installer le réfrigérateur dans une pièce présentant un taux d'humidité élevé.
- Des aliments contenant des liquides peuvent avoir été placés à l'intérieur du réfrigérateur dans des récipients sans couvercle.
 - > Évitez de ranger dans le réfrigérateur des aliments contenant des liquides dans des récipients sans couvercle.
- Il se peut que la porte du réfrigérateur soit restée entrouverte.
 - > Ne laissez pas les portes de votre réfrigérateur ouvertes pendant une longue période.

Le compresseur ne fonctionne pas

- Le protecteur de surcharge thermique du compresseur arrêtera le compresseur en cas de panne de courant soudaine ou lorsque l'appareil est débranché puis rebranché, car la pression du réfrigérant dans le système de refroidissement du réfrigérateur n'a pas encore été équilibrée.
- Le réfrigérateur se remettra en marche au bout de 6 minutes environ. Appeler le fournisseur de services agréé si le réfrigérateur ne démarre pas à l'issue de cette période.
- Le congélateur est dans un cycle de dégivrage.
 - >>> Cela est normal pour un réfrigérateur qui effectue un dégivrage entièrement automatique. Le cycle de dégivrage est effectué périodiquement.
- Le réfrigérateur n'est peut-être pas branché.
 - > Vérifiez que la fiche est bien branchée sur la prise.
- Les réglages de température ne sont pas corrects.
 - > Sélectionnez la valeur de température appropriée.
- Il y a une coupure de courant.
 - > Le réfrigérateur se remettra à fonctionner

normalement dès que le courant sera rétabli.

Le bruit de fonctionnement augmente lorsque le réfrigérateur fonctionne

Les performances de fonctionnement du réfrigérateur peuvent varier en fonction des changements de température ambiante. Ce phénomène est normal et ne constitue pas un défaut.

Vibration ou bruit

- Le sol n'est pas stable ou de niveau.
 - > Si le réfrigérateur bouge lorsqu'il est légèrement déplacé, ajustez les pieds pour l'équilibrer. Vérifiez que le sol est plat et en mesure de supporter le poids du réfrigérateur.
- Des objets placés sur le dessus du réfrigérateur peuvent être source de bruit.
 - > Retirez tous les objets rangés sur le dessus du réfrigérateur.

Il y a des bruits provenant du réfrigérateur, tels qu'un écoulement ou une projection de liquide

- Le fonctionnement ordinaire du réfrigérateur comporte la circulation de liquide et de gaz. Ce phénomène est normal et ne constitue pas un défaut.

Un sifflement est émis à partir du réfrigérateur

- Des ventilateurs sont utilisés pour refroidir le réfrigérateur. Ce phénomène est normal et ne constitue pas un défaut.

De l'humidité s'accumule sur les parois intérieures du réfrigérateur

- Le temps chaud et humide augmente l'accumulation de givre et de condensation. Ce phénomène est normal et ne constitue pas un défaut.
- Les portes peuvent avoir été ouvertes fréquemment ou laissées entrouvertes pendant une longue période.
 - > Évitez d'ouvrir fréquemment les portes. Fermer les portes, si elles sont ouvertes.
- La porte est restée entrouverte.
 - > Fermez la porte à fond.

De l'humidité s'accumule sur les surfaces extérieures du réfrigérateur ou entre les portes

- L'air ambiant peut être humide. Ce phénomène est tout à fait normal par temps humide.
 - > La condensation disparaîtra lorsque le taux d'humidité diminuera.
- De la condensation à l'extérieur peut se produire dans la partie située entre les deux portes du réfrigérateur si vous utilisez rarement votre appareil. C'est normal. La condensation disparaîtra en cas d'utilisation fréquente.

Une odeur désagréable se dégage du réfrigérateur

- L'intérieur de l'appareil n'a pas été nettoyé régulièrement.
 - > Nettoyez l'intérieur du réfrigérateur à l'aide d'une éponge, d'eau tiède ou d'une solution d'eau et de bicarbonate de sodium.
- Certains récipients ou matériaux d'emballage peuvent être à l'origine d'odeurs désagréables.
 - > Utilisez un récipient ou des matériaux d'emballage d'une autre marque.
- Des aliments ont été placés dans le réfrigérateur dans des récipients sans couvercle.
 - > Rangez les aliments dans des récipients fermés. Les micro-organismes émis par les récipients sans couvercle peuvent provoquer des odeurs désagréables.
- Retirez tous les aliments périmés ou gâtés du réfrigérateur.

La porte ne ferme pas

- Des emballages alimentaires peuvent empêcher la porte de se fermer correctement.
 - > Déplacez les emballages/récipients qui empêchent la fermeture correcte de la porte.
- Le réfrigérateur n'est pas dans une position stable sur le sol.
 - > Réglez les pieds du réfrigérateur de manière à ce que l'appareil repose de manière stable sur le sol.
- Le sol peut ne pas être de niveau ou robuste.
 - > Vérifiez que le sol est plat et en mesure de supporter le poids du réfrigérateur.

Les bacs à fruits et légumes sont bloqués

- Des aliments peuvent toucher le plafond du bac à légumes.
 - > Rangez les aliments de manière à ce qu'ils ne bloquent pas l'ouverture du bac.



AVERTISSEMENT

Si vous ne pouvez pas résoudre le problème même en suivant les instructions contenues dans ce paragraphe, consultez votre concessionnaire ou votre fournisseur de services autorisé. Ne tentez jamais de réparer vous-même un produit défectueux.

Pour toute information sur la garantie et demande de service, contactez-nous :



Aux États-Unis :

<https://us.bertazzoni.com/more/support>

Au Canada :

<https://ca.bertazzoni.com/more/support>

1. Instrucciones importantes referentes a la seguridad y el medio ambiente	42
1.1 Seguridad general	42
1.2 Uso previsto	43
1.3 Seguridad de los niños	43
1.4 Conformidad con la Directiva RAEE y eliminación del producto desechado	43
1.5 Conformidad con la Directiva RoHS	43
1.6 Información sobre el embalaje	43
1.7 Advertencia sobre hidrocarburos (HC)	44
1.8 Para los productos con un dispensador de agua/máquina de hielo	44
2. Listado de componentes del refrigerador	45
3. Instrucciones de configuración del panel de visualización	46
3.1 Botón de encendido/apagado (On/Off)	46
3.2 Selección de funciones / Botón de bloqueo infantil	46
3.3 Botón de ajuste de la temperatura del compartimento refrigerador	46
3.4 Botón de ajuste de temperatura del compartimento Fresco	46
3.5 Botón de ajuste del compartimento congelador	46
3.6. Modo vacaciones	47
3.7. Modo Sabbath	47
3.8. Modo Eco	47
3.9. Dispensador de agua (si procede)	47
3.10. Fabricación de hielo (si procede)	47
3.11. Sustitución del filtro de agua (si procede)	48
3.12. Selección de grados Celsius y Fahrenheit	48
3.13. Modo expositor	48
4. ANTES DE USAR EL REFRIGERADOR	49
4.1 Consejos para ahorrar energía	49
4.2 Recomendaciones para el compartimento de alimentos frescos	49
4.3 Uso inicial	49
5. Funcionamiento del producto	50
5.1 Sistema de refrigeración doble	50
5.2 Congelar alimentos frescos	50
5.3 Recomendaciones para almacenar alimentos congelados	51
5.4 Colocación de los alimentos	51
5.5 Temperatura de funcionamiento	51
5.6 Contenedores en puerta	52
5.7 Estantes de vidrio	52
5.8 Cajones del refrigerador	52
5.9 Compartimento Fresco	53
5.10 Ajuste de las bisagras	53
5.11 Cambiar el sentido de apertura de la puerta	53
5.12 Sustitución del filtro de agua	53
6. Mantenimiento y limpieza	55
6.1 Prevenir olores desagradables	55
6.2. Protección de las superficies de plástico	55
6.3 Limpieza de la superficie interna	55
6.4 Superficies externas de acero inoxidable	55
7. Resolución de problemas	56
8. Atención al cliente	58

1. INSTRUCCIONES IMPORTANTES REFERENTES A LA SEGURIDAD Y EL MEDIO AMBIENTE

Este manual le ayudará a utilizar su electrodoméstico de forma rápida y segura.

- > Lea detenidamente este manual del usuario antes de instalar y utilizar el producto.
- > Tenga siempre en cuenta la información de seguridad aplicable.
- > Conserve el manual del usuario en un lugar de fácil acceso para futuras consultas.
- > Lea también el resto de documentos que se entregan con el producto.

Recuerde que este manual puede hacer referencia a varios modelos de producto.

Este manual indica explícitamente las diferencias entre diferentes modelos.



ADVERTENCIA

Riesgo de lesiones y daños a la propiedad.



Nota

Información importante y consejos útiles.



Los materiales de embalaje de este producto se han fabricado a partir de materiales reciclables de conformidad con la Normativa Nacional sobre Medio Ambiente.

El presente capítulo contiene información sobre seguridad que le ayudará a evitar el riesgo de lesión personal o daños a la propiedad. La garantía del producto quedará anulada si no se siguen estas instrucciones.

1.1 Seguridad general

- > Este electrodoméstico puede ser utilizado por niños a partir de 8 años, por personas con capacidades físicas, sensoriales o mentales limitadas y por personas que carezcan de experiencia e información, siempre que hayan recibido instrucciones relativas al uso seguro del electrodoméstico y estén supervisadas, y que se hayan eliminado los riesgos. Los niños no deben jugar con el producto. Los niños no deben encargarse de la limpieza y el mantenimiento, salvo que lo hagan bajo la supervisión de un adulto.
- > Desenchufe el electrodoméstico si detecta una avería durante su uso.
- > Si el electrodoméstico funciona mal, no debe dejarse encendido hasta que lo repare un servicio técnico autorizado. ¡Riesgo de descarga eléctrica!
- > Enchufe el electrodoméstico a una toma de corriente con conexión a tierra que esté protegida por un fusible y que corresponda al valor que figura en la placa de características del producto. El producto

no se debe enchufar a una toma con protección GFCI. Pida a un electricista cualificado que conecte el producto a una toma de tierra. Nuestra compañía no será responsable de los daños y perjuicios que se deriven de no usar el producto conectándolo a una toma de tierra conforme con la normativa local.

- > Desenchufe el electrodoméstico cuando no lo utilice.

- > ¡No lave nunca el electrodoméstico

vertiendo,

embadurnando o rociando agua sobre él! ¡Riesgo de descarga eléctrica!

- > ¡No toque nunca el enchufe con las manos mojadas!

- > Nunca desenchufe el electrodoméstico tirando del cable; tire del propio enchufe. Sujete siempre la toma con una mano y tire del enchufe con la otra para sacarlo.

- > No enchufe el refrigerador si la toma de corriente está suelta.

- > No conecte nunca su refrigerador a un dispositivo de ahorro de energía. Dichos sistemas son perjudiciales para su electrodoméstico.

- > Asegúrese de que el electrodoméstico esté desenchufado durante la instalación, el mantenimiento, la limpieza y las reparaciones.

- > Asegúrese de que su **proveedor de servicios autorizado** instale el electrodoméstico y configure sus conexiones eléctricas. El fabricante no será responsable de los daños y perjuicios que se deriven de procedimientos realizados por personas no autorizadas.

- > ¡Nocomalos polos ocultos de hielo inmediatamente después de sacarlos del congelador! Esto puede provocarle una quemadura por hielo en la boca.

- > ¡No toque los alimentos congelados con las manos mojadas! ¡Pueden pegarse a sus manos!

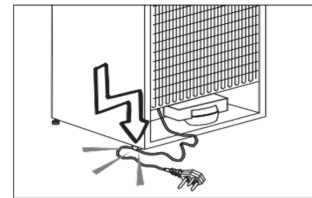
- > No ponga bebidas líquidas embotelladas o enlatadas en el compartimento congelador. ¡Pueden reventar!

- > No utilice nunca vapor o limpiadores de vapor para limpiar o descongelar el refrigerador. Si el vapor entra en contacto con los componentes eléctricos de su refrigerador, ¡puede provocar un cortocircuito o una descarga eléctrica!

- > No utilice dispositivos mecánicos u otros medios para acelerar el proceso de descongelación; utilice únicamente los recomendados por el fabricante.

- > No utilice nunca los componentes del refrigerador, como la puerta o los cajones, como medios de apoyo o como escalones. Esto puede hacer que el producto vuelque o dañe sus piezas.

- > No dañe las zonas por donde circula el refrigerante con herramientas de perforación o corte. El refrigerante que puede escaparse al perforar las tuberías de gas del evaporador, las extensiones de la tubería o los revestimientos superficiales provoca irritaciones en la piel y lesiones oculares.



- > No cubra ni permita que ningún objeto bloquee las aberturas de ventilación de su refrigerador.
- > Asegúrese de que las bebidas con mayor contenido alcohólico estén bien cerradas y guárdelas en posición vertical.
- > No utilice aerosoles cerca del electrodoméstico, ¡podría provocar un incendio o una explosión!
- > Los artículos inflamables, los productos que contengan gases inflamables (por ejemplo, aerosoles) y los materiales explosivos no deben guardarse nunca en el interior del electrodoméstico.
- > No coloque recipientes llenos de líquido encima del electrodoméstico. Las salpicaduras de agua sobre una pieza eléctrica pueden provocar electrocución o incluso incendios.
- > No guarde en el refrigerador artículos que requieran temperaturas reguladas con precisión (como vacunas, medicamentos sensibles al calor, materiales para estudios científicos, etc.).
- > Si no va a utilizar el electrodoméstico durante mucho tiempo, desenchúfelo y retire los alimentos de su interior.
- > Si hay una luz azul en el refrigerador, no mire esta luz con un instrumento óptico.
- > Exponer el electrodoméstico a la lluvia, la nieve, el sol o el viento es peligroso para la seguridad eléctrica.
- > Si el electrodoméstico tiene un sistema de control mecánico (termostato), espere 5 minutos para volver a enchufar el electrodoméstico después de desenchufarlo.
- > No sobrecargue el refrigerador. Los objetos en el refrigerador se pueden caer al abrir la puerta, provocando lesiones o daños. Pueden producirse problemas similares si se pone algún objeto encima del producto.
- > Si el refrigerador tiene un tirador en la puerta, no utilice dicho tirador para moverlo. Puede que el tirador se suelte.
- > Tenga cuidado de no introducir la mano ni ninguna otra parte del cuerpo en las partes móviles del refrigerador.
- > No introduzca la mano ni ningún otro objeto extraño en la máquina de hielo mientras esté en funcionamiento.

1.2 Uso previsto

- > Este producto ha sido diseñado para uso doméstico. No debe utilizarse de forma distinta a la prevista. No es adecuado para uso comercial.
- > Solo debe utilizarse para guardar alimentos.
- > El fabricante no se hace responsable de los daños derivados de un uso o transporte inadecuados.
- > Las piezas de recambio originales estarán disponibles durante 10 años a partir de la fecha de compra del producto.

1.3 Seguridad de los niños

- > Si hay una cerradura en la puerta del electrodoméstico, la llave debe mantenerse fuera del alcance de los niños.
- > No permita que los niños jueguen con el producto.



PRECAUCIÓN

Antes de deshacerse de su antiguo refrigerador o congelador:

- Los niños pueden quedarse encerrados dentro.
- Quite las puertas.
- Deje los estantes en su sitio para evitar que los niños trepen al interior del producto con facilidad.

1.4 Conformidad con la Directiva RAEE y eliminación del producto desechado



Este producto es conforme con la Directiva RAEE de la UE (2012/19 UE). Este producto exhibe un símbolo de clasificación para los residuos de aparatos eléctricos y electrónicos (RAEE). Este producto se ha fabricado a partir de piezas y materiales de alta calidad reutilizables y reciclables. Por lo tanto, no deseche el producto con los residuos domésticos normales ni con otros desechos al final de su vida útil. Llévelo a un centro de recogida para reciclar los equipos eléctricos y electrónicos. Consulte a las autoridades locales para descubrir dónde se encuentran dichos centros de recogida.

1.5 Conformidad con la Directiva RoHS

La unidad que usted ha adquirido es conforme con la Directiva RoHS de la UE (2011/65/UE). No contiene ninguno de los materiales nocivos ni prohibidos especificados en la Directiva.

1.6 Información sobre el embalaje

Los materiales de embalaje de este producto se han fabricado a partir de materiales reciclables de conformidad con la Normativa Nacional sobre Medio Ambiente. No deseche los materiales de embalaje con los residuos domésticos normales u otros tipos de residuos. Lleve estos materiales a un punto de reciclaje designado por las autoridades locales.



PRECAUCIÓN

Riesgo de incendio o explosión:

- Este producto utiliza un refrigerante inflamable.
- No utilice dispositivos mecánicos para descongelar el refrigerador.
- No utilice productos químicos para la limpieza.
- No perforo el tubo de refrigerante.
- Si la tubería del refrigerante se perfora, deberá repararla solamente personal de mantenimiento acreditado.
- Consulte el manual de mantenimiento y uso antes de limpiar el producto. Siga todas las instrucciones de seguridad.
- Elimine el producto de acuerdo con la normativa federal o local.

1.7 Advertencia sobre hidrocarburos (HC)

El sistema de refrigeración de su producto contiene R600a: este gas es inflamable. Este gas es inflamable. Por lo tanto, tenga cuidado de no dañar el sistema de refrigeración o los tubos durante su uso o transporte. Si se daña, mantenga el producto lejos de posibles fuentes de ignición que puedan incendiarlo y ventile la habitación donde se encuentra el producto.



Nota

Si el electrodoméstico está dañado o si ve una fuga de gas, manténgase alejado del gas. Puede provocar quemaduras por hielo si entra en contacto con la piel.



Nota

El tipo de gas utilizado en el producto figura en la etiqueta de clasificación, que se encuentra en la pared interior izquierda del refrigerador.



ADVERTENCIA

Nunca intente quemar el producto como medio de eliminación.

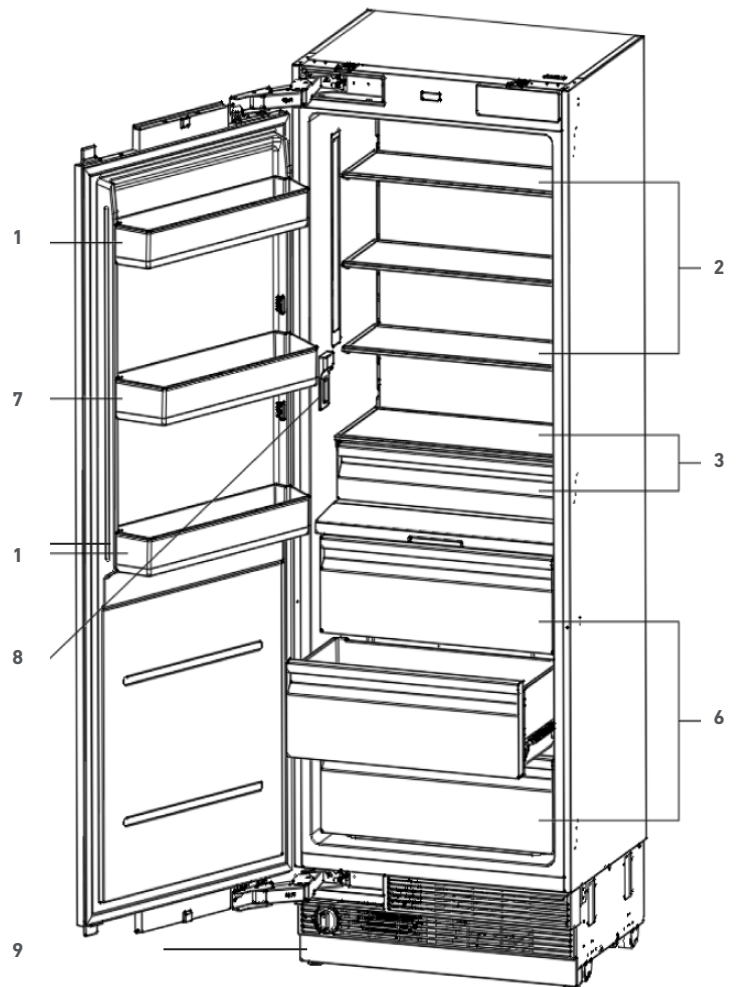
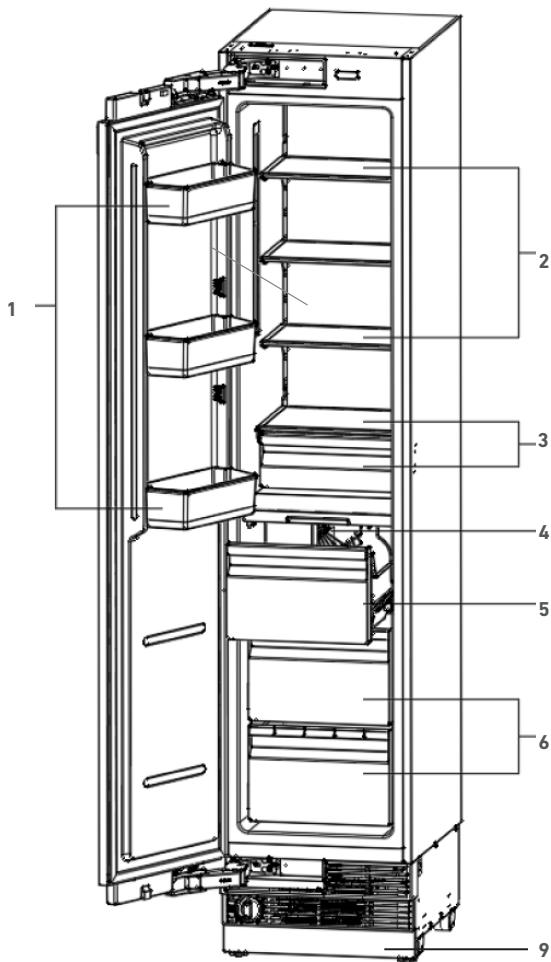
1.8 Para los productos con un dispensador de agua/máquina de hielo

- > La presión de funcionamiento para la entrada de agua fría es de 25-80 psi (1,7-5,5 bar). Si la presión del agua supera los 80 psi (5,5 bar), instale una válvula limitadora de la presión en su sistema de alimentación.
- > Si la presión del suministro de agua es inferior a 25 psi (1,7 bar), puede utilizar una bomba auxiliar para compensar la baja presión.
- > Si no sabe cómo comprobar la presión del agua, consulte a un fontanero profesional.
- > Si existe riesgo por impacto de chorro de agua durante su instalación, asegúrese de utilizar un equipo de protección contra impactos de chorro de agua.
- > Consulte a un fontanero profesional si no está seguro de si su instalación entraña riesgo de impacto por chorro de agua.
- > No instale nada sobre o encima de la entrada de agua caliente.
- > Tome las medidas necesarias para evitar cualquier riesgo de congelación de las mangueras.
- > El rango de temperatura del agua de funcionamiento oscila entre un mínimo de 34 °F (1 °C) y un máximo de 100 °F (38 °C).



ADVERTENCIA

Nunca conecte el producto a una red de agua fría con una presión superior a 80 psi (5,5 bar).

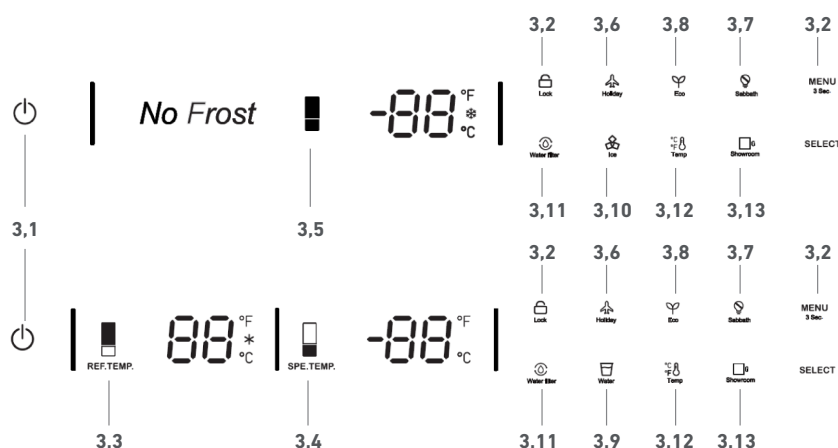


Nota

Las figuras que se incluyen en este manual del usuario son esquemáticas y puede que no coincidan exactamente con el producto. Si su producto no tiene las piezas pertinentes, la información corresponde a otros modelos.

- 1) Contenedor en la puerta
- 2) Estantería
- 3) Cajones pequeños de cierre suave
- 4) Máquina de hielo
- 5) Cajones de hielo de cierre suave
- 6) Cajones grandes de cierre suave (compartimento "Fresco")
- 7) Contenedor de galón en la puerta
- 8) Dispensador de agua
- 9) Filtro de agua

3. INSTRUCCIONES DE CONFIGURACIÓN DEL PANEL DE VISUALIZACIÓN



Nota

Las figuras que se incluyen en este manual del usuario son esquemáticas y puede que no coincidan exactamente con el producto. Si su producto no tiene las piezas pertinentes, la información corresponde a otros modelos.

3.1 Botón de encendido/apagado (On/Off)

Sirve para encender y apagar todo el electrodoméstico (On/Off). Pulse el botón para encender el producto, el producto se encenderá en 5 segundos. Pulse el botón (On/Off) durante 2 segundos para apagarlo.

3.2 Selección de funciones / Botón de bloqueo infantil

El bloqueo infantil es una función que evita que los niños modifiquen la configuración del producto. Pulsando el botón MENU durante 3 segundos se puede bloquear/desbloquear el panel de control. El símbolo de bloqueo se iluminará en la pantalla cuando esta función esté activada.

3.3 Botón de ajuste de la temperatura del compartimento refrigerador

Pulse el botón REF. TEMP. para ajustar la temperatura dentro de un rango de entre 35 °F (2 °C) y 46 °F (8 °C). La temperatura óptima para el compartimento de alimentos frescos es de 39 °F (4 °C).

La función Super Cool se puede activar si se sigue

pulsando el botón después de llegar a los 35 °F (2 °C). El símbolo de la «nieve» se iluminará en la pantalla cuando esta función esté activada. El refrigerador funcionará a 35 °F (2 °C) durante 24 horas. Después de eso, la función se desactivará automáticamente y volverá la configuración de temperatura original.

NOTA: La temperatura ajustada por defecto es de 41 °F (5 °C) para el compartimento refrigerador.

3.4 Botón de ajuste de temperatura del compartimento Fresco

Pulse el botón SPE. TEMP. para ajustar la temperatura del compartimento refrigerador especial dentro de un rango de entre 30 °F (-1 °C) y 41 °F (5 °C).

NOTA: La temperatura ajustada por defecto es de 35°F (2°C) para el compartimento refrigerador especial.

3.5 Botón de ajuste del compartimento congelador

Pulse el botón FRE. TEMP. para ajustar la temperatura del compartimento congelador especial dentro de un rango de entre 5 °F (-15 °C) y -11 °F (-24 °C).

La función Super Freeze estará activada si se sigue pulsando el botón después de los -11 °F (-24 °C). Cuando el símbolo de la «nieve» se ilumine en la pantalla, la función Super Freezer estará activada y el congelador funcionará a -11 °F (-24 °C) durante 24 horas. Después de eso, la función se desactivará automáticamente y volverá la configuración de temperatura original.

**Nota**

La temperatura ajustada por defecto es de 0°F (-18°C) para el compartimento congelador.

3.6. Modo vacaciones

Pulse el botón MENU hasta que se ilumine el símbolo de vacaciones, a continuación, pulse el botón SELECT para activar la función. Cuando la función «Modo vacaciones» se activa, la temperatura del refrigerador se pondrá a 62 °F (17 °C) y la temperatura del congelador se ajustará a 0 °F (-18 °C) automáticamente. Al seleccionar el «Modo vacaciones», el sistema funcionará de forma continua. Para desactivar el «Modo vacaciones», pulse el botón MENU hasta que el símbolo de vacaciones se ilumine, luego pulse SELECT.

**Nota**

No meta alimentos en el compartimento de alimentos frescos cuando el «Modo vacaciones» esté activado.

3.7. Modo Sabbath

Pulse el botón MENU hasta que se ilumine el símbolo del modo Sabbath, a continuación, pulse el botón SELECT para activar la función. Cuando la función «Modo Sabbath» esté activada, todas las luces, indicadores acústicos y paneles de visualización se apagarán. Para desactivar el «Modo Sabbath», pulse el botón MENU hasta que el símbolo del Sabbath se ilumine, luego pulse SELECT.

3.8. Modo Eco

Pulse el botón MENU hasta que se ilumine el símbolo del «Modo Eco», a continuación, pulse el botón SELECT para activar la función. Cuando la función «Modo Eco» se activa, la temperatura del refrigerador se pondrá a 46 °F (8 °C) y la temperatura del congelador se ajustará a 5 °F (-15 °C) automáticamente. Para desactivar el «Modo Eco», pulse el botón MENU hasta que el símbolo Eco se ilumine, luego pulse SELECT.

3.9. Dispensador de agua (si procede)

Pulse el botón MENU hasta que se ilumine el símbolo del dispensador de agua, a continuación, pulse el botón SELECT para activar la función. Cuando la función del dispensador de agua está activada,

dispensador empotrado en la pared interna puede suministrar agua potable.

3.10. Fabricación de hielo (si procede)

Pulse el botón MENU hasta que se ilumine el símbolo de la máquina de hielo, a continuación, pulse el botón SELECT para activar la función. Cuando la función de la máquina de hielo está activada, esta se pondrá en marcha automáticamente y los cubitos de hielo se acumularán en la cubitera. La producción de hielo es de 3,9 lb/24 horas.

**Nota**

Prepare el filtro de agua para usarlo antes de utilizar el hielo. Después de conectar el refrigerador a una fuente de agua o después de sustituir el filtro de agua, llene y deseché dos cubiteras completas.

3. INSTRUCCIONES DE CONFIGURACIÓN DEL PANEL DE VISUALIZACIÓN

3.11. Sustitución del filtro de agua (si procede)

El símbolo del filtro de agua en la interfaz del usuario parpadea y emite un pitido para avisar al usuario de que tiene que sustituir el filtro de agua.

Una vez finalizada la sustitución, reinicie el contador del filtro manteniendo pulsado el botón SELECT durante 5 segundos. Si no se restablece el contador del filtro, el dispensador de agua y la máquina de hielo pasarán al modo de espera, lo que impedirá que dispensen agua y hielo. La frecuencia de sustitución configurada por defecto es de 130 días.

El refrigerador viene equipado con un tapón de agua diseñado para sustituir al filtro de agua cuando se conecta a un sistema centralizado de tratamiento de agua o cuando no se utiliza el filtro. Si su refrigerador está conectado a un sistema de este tipo, retire el filtro e instale el tapón de agua en su lugar dentro de la carcasa del filtro.

Después de 130 días de uso, una alarma en la interfaz del usuario le recordará que ponga a cero el contador del filtro, incluso cuando utilice el tapón de agua.

Nota

Si no se restablece el contador del filtro, el dispensador de agua y la máquina de hielo entrarán en modo de espera y dejarán de funcionar.

3.12. Selección entre grados Celsius y Fahrenheit

Pulse el botón MENU hasta que el símbolo de selección entre grados Celsius y Fahrenheit se ilumine para cambiar de Celsius a Fahrenheit y viceversa. Después de esto, pulse el botón SELECT para confirmar.

4.1 Consejos para ahorrar energía



ADVERTENCIA

Conectar el refrigerador a sistemas de ahorro energético es peligroso y puede provocar daños al producto.

- > No deje las puertas de su refrigerador abiertas durante mucho tiempo.
- > No introduzca alimentos o bebidas calientes en el refrigerador.
- > No sobrecargue el refrigerador. La capacidad de refrigeración descenderá si el aire no puede circular bien por el refrigerador.
- > No coloque el refrigerador bajo luz solar directa. Instale el producto a una distancia mínima de 12" (30 cm) de cualquier fuente de calor, como cocinas, hornos, radiadores y estufas, y a una distancia mínima de 2" (5 cm) de hornos eléctricos.
- > Asegúrese de guardar sus alimentos en recipientes cerrados dentro del refrigerador.
- > Puede retirar el estante del cajón del compartimento congelador para llenar el congelador con la máxima cantidad de alimentos. El valor predeterminado de consumo de energía del refrigerador se ha calculado con el estante del compartimento congelador o el cajón sacados, y el refrigerador lleno con la máxima cantidad de comida. No pasa nada por usar un estante o un cajón que se adapten a los formatos y tamaños de los alimentos que se vayan a congelar.
- > Descongelar los alimentos congelados en el compartimento refrigerador ahorra energía y preserva la calidad de los alimentos.



Nota

La temperatura ambiente de la estancia donde esté ubicado el refrigerador debe ser de, como mínimo, 50 °F (10 °C). Poner en marcha el refrigerador en entornos más fríos es recomendable por cuestiones de eficiencia.



Nota

Limpie minuciosamente el interior del refrigerador.



Nota

Si se van a instalar dos refrigeradores uno al lado del otro, debe haber al menos 1½ pulg.(4 cm) de distancia entre ellos.

4.2 Recomendaciones para el compartimento de alimentos frescos

- > Asegúrese de que los alimentos no tocan el sensor de temperatura del compartimento de alimentos frescos. Para que el compartimento de alimentos frescos mantenga su temperatura ideal de almacenamiento, el sensor no debe obstaculizarse con comida.
- > No coloque alimentos o bebidas calientes en el interior del electrodoméstico.

4.3 Uso inicial

Antes de usar el producto, asegúrese de hacer todos los preparativos de acuerdo con las instrucciones que figuran en los capítulos «Instrucciones importantes referentes a la seguridad y el medio ambiente» y el «Manual de instalación».

- > Limpie el interior del refrigerador como se recomienda en la sección «Mantenimiento y limpieza». Antes de poner en marcha el refrigerador, compruebe que el interior esté seco.
- > Enchufe el refrigerador a una toma de corriente con conexión a tierra. La iluminación interior se enciende cuando el refrigerador está abierto.
- > Deje funcionar el refrigerador durante 6 horas antes de introducir en él ningún alimento y no abra su puerta a menos que sea necesario.



Nota

Escuchará un ruido cuando el compresor arranque. Los líquidos y los gases que circulan por el sistema de refrigeración hermético también pueden hacer ruidos, aunque el compresor no esté en marcha, esto entra dentro de lo normal.



Nota

Los bordes frontales del refrigerador pueden calentarse un poco. Esto es normal. Estas zonas se han diseñado para estar calientes y evitar así la condensación.

5. FUNCIONAMIENTO DEL PRODUCTO

5.1 Sistema de refrigeración doble

El refrigerador está equipado con dos sistemas de refrigeración independientes para enfriar el compartimento de alimentos frescos y el compartimento congelador.

De esta forma, el aire y los olores que se generan en el compartimento de alimentos frescos y en el compartimento congelador no se mezclan.

Gracias a estos dos sistemas de refrigeración independientes, la velocidad de refrigeración es mucho mayor que la de otros refrigeradores. Esto también permite ahorrar más energía, porque la descongelación se hace por separado.

5.2 Congelar alimentos frescos

> Envuelva los alimentos o colóquelos en un recipiente tapado antes de meterlos en el refrigerador.

> Los alimentos y bebidas calientes deben haberse enfriado a temperatura ambiente antes de introducirlos en el refrigerador.

> Los alimentos que desee congelar deben estar frescos y en buen estado.

> Divida los alimentos en porciones de acuerdo con las necesidades de consumo diario o por comida de su familia.

> Envase los alimentos de forma hermética para evitar que se sequen, aunque vayan a almacenarse poco tiempo.

> Los materiales que se utilicen para el envasado deben ser resistentes al desgarro y al frío, la humedad, los olores, los aceites y los ácidos; también deben ser herméticos. Además, también deben cerrarse bien y estarán hechos de materiales fáciles de usar que sean aptos para congeladores industriales.

> Los alimentos congelados deben utilizarse inmediatamente después de descongelarlos; nunca deben volver a congelarse.

> No congele cantidades muy grandes de alimentos de una sola vez. La calidad de los alimentos se

conserva mejor cuando se congelan por completo y lo más rápido posible.

> Colocar alimentos calientes en el compartimento del congelador hace que el sistema de refrigeración funcione continuamente hasta que los alimentos estén congelados.

5.3 Recomendaciones para almacenar alimentos congelados

> Los alimentos congelados que compre deben almacenarse en las condiciones y a la temperatura determinadas por el fabricante del alimento.

> Para garantizar que se mantenga la calidad alcanzada por el fabricante de alimentos congelados y el minorista de alimentación, preste atención a las siguientes recomendaciones:

1. Ponga los envases en el congelador lo antes posible después de comprarlos.

2. Asegúrese de que los envases están etiquetados y fechados.

3. Compruebe si ha pasado o no la fecha de caducidad o de consumo preferente que figura en el envase.

5.4 Colocación de los alimentos

Compartimento	Alimento
Estantes del compartimento congelador	Varios alimentos congelados, como carne, pescado, helados, verdura, etc.
Bandeja para huevos	Huevos
Estantes del compartimento refrigerador	Alimentos en bandejas, platos tapados y recipientes cerrados
Contenedores en puerta o compartimento refrigerador	Alimentos o bebidas envasados y pequeños (como leche, zumo de frutas, cerveza, etc.)
Cajón para verduras	Verduras, hortalizas y frutas
Compartimento refrigerador especial	Productos delicatessen (queso, mantequilla, salami, etc.)

5.5 Temperatura de funcionamiento

CONGELADOR	REFRIGERADOR	NOTAS
0 °F (-18 °C)	39 °F (4 °C)	Esta es la configuración normal recomendada.
-4 °F (-20 °C)	37 °F (3 °C)	Estos ajustes se recomiendan cuando la temperatura ambiente supera los 86 °F (30 °C).
Super Freeze	39 °F (4 °C)	Utilice esta función cuando quiera congelar los alimentos en un periodo corto de tiempo. Su refrigerador volverá al modo anterior cuando el proceso haya terminado.
-11 °F (-24 °C)	35 °F (2 °C)	Utilice estos ajustes si piensa que el compartimento refrigerador no está lo suficientemente frío, porque haga demasiado calor o porque se abran las puertas con demasiada frecuencia.
0 °F (-18 °C) o más frío	Super Cool	Utilice esta función cuando meta demasiada comida en el compartimento refrigerador o cuando necesite enfriar los alimentos rápidamente. Recomendamos que active la función Super Cool 4-8 horas antes de meter la comida.

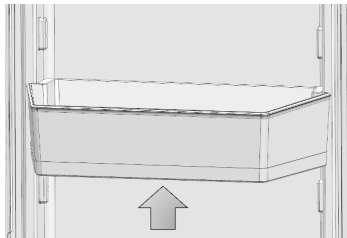
Temperatura de funcionamiento recomendada:

Refrigerador: 39 °F (4 °C), Congelador: 0 °F (-18 °C), Fresco 35 °F (2 °C).

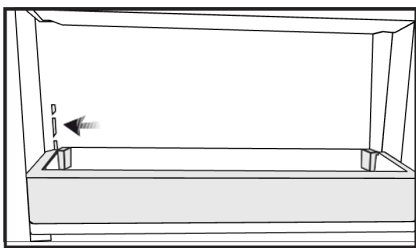
5. FUNCIONAMIENTO DEL PRODUCTO

5.6 Contenedores en puerta

Para quitar un contenedor de la puerta, sujételo por abajo, levántelo y sáquelo de las guías. Consulte la figura.



Para ajustar la altura de un contenedor en puerta, mantenga pulsados los botones de la derecha y la izquierda para ajustar el contenedor de la puerta a la posición deseada sin tener que quitarlo. Para quitar el contenedor ajustable de la puerta, mantenga pulsados estos botones, levante el estante por completo y tire de él hacia usted. Para volver a instalar el contenedor en la puerta, póngalo en la puerta y deslícelo hacia abajo por las guías pulsando los botones. Consulte la figura.



5.7 Estantes de vidrio

La altura de los estantes de vidrio se puede ajustar manualmente con los ganchos traseros. Sujete los estantes por abajo, levante la parte frontal y póngala en posición inclinada; las pestañas de los ganchos se soltarán y el estante de vidrio se moverá hacia arriba y hacia abajo.

Para retirar un estante

- Sujete la parte frontal del estante y, a continuación, levántelo ligeramente y deslícelo por las guías hasta sacarlo.

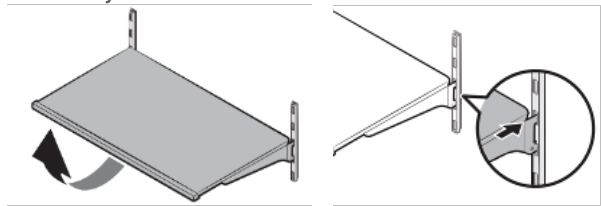
Para introducirlo de nuevo

- Sujete el estante en un ángulo, de manera que la parte delantera quede más alta que la trasera y, luego, inserte el gancho superior en muesca superior del estante.
- Baje despacio la parte delantera.



Nota

Tenga cuidado al manipular los estantes de vidrio para evitar que se rompan o que se raye el interior.



ADVERTENCIA

Los estantes de vidrio no deben tener nada encima.



ADVERTENCIA

Espere a que los estantes de vidrio alcancen la temperatura ambiente antes de sumergirlos en agua para limpiarlos.



ADVERTENCIA

Es posible que la puerta no se cierre si los contenedores de la puerta están colocados al mismo nivel que los estantes de vidrio. Asegúrese de que la puerta esté cerrada después de colocar los estantes.

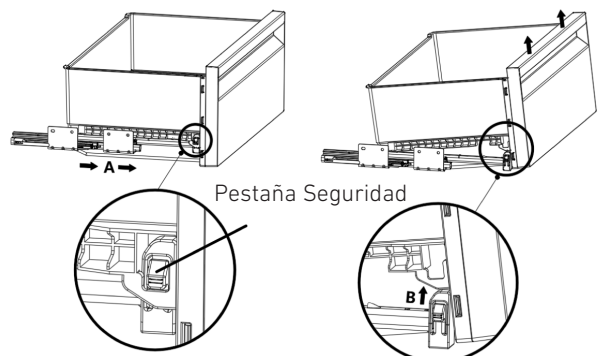
5.8 Cajones del refrigerador

Para extraer un cajón

- Tire del cajón hasta que se detenga.
- Desenganche con cuidado la parte frontal del cajón y sáquelo por completo.

Para instalar un cajón

- Tire de los raíles hacia delante todo lo que se pueda.
- Haga coincidir los huecos que quedan en las esquinas traseras del cajón con los componentes situados en los extremos traseros de los rieles.
- Empuje el cajón lentamente hacia dentro hasta que escuche el frente hacer «clic» en los rieles.



**Nota**

Asegúrese de que los componentes a la derecha y a la izquierda de los rieles estén bien sujetos al instalar el cajón.

**Nota**

Nunca deje las verduras en sus bolsas de plástico en el cajón. Si se dejan en las bolsas de plástico, se echarán a perder en poco tiempo.

Los cajones conservan la humedad de las verduras, y permiten conservarlas durante más tiempo sin tener que guardarlas en sus bolsas.

Si prefiere que las verduras/hortalizas no entren en contacto con otras por motivos de higiene, también puede usar papel perforado, foam u otro material similar en lugar de bolsas de plástico.

Tenga en cuenta el peso específico de las verduras/hortalizas al guardarlas. Las verduras/hortalizas pesadas y deben colocarse en la parte inferior del cajón, mientras que las verduras/hortalizas ligeras y blandas deben estar en la parte superior.

Las peras, kiwis, tomates, pepinos, albaricoques, melocotones, brócoli, lechugas, coles, perejil y las espinacas son frutas y verduras/hortalizas que emiten gas etileno. No las meta en el mismo cajón para verduras junto con otras verduras/hortalizas. El gas etileno que emiten estos alimentos provoca que otras frutas y verduras/hortalizas maduren antes y se echen a perder en menos tiempo.

No saque el cajón del refrigerador salvo que sea absolutamente necesario.

5.9 Compartimento Fresco

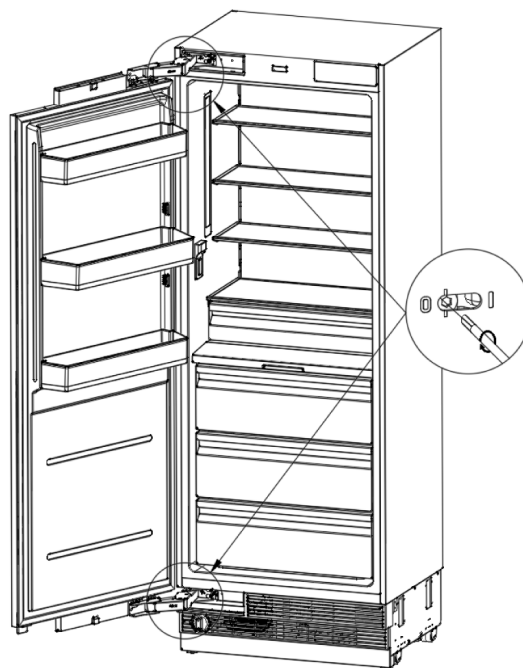
Esta sección está diseñada para almacenar alimentos como pescado, carne y verduras, así como productos de charcutería como queso y fiambres. Puede controlar la temperatura de este compartimento para conservarlos mejor.

**Nota**

Los procedimientos de extracción/instalación del compartimento refrigerador especial son los mismos que los de los cajones del refrigerador.

5.10 Ajuste de las bisagras

Al ajustar la dureza de la bisagra: La dureza de las bisagras superior e inferior de la puerta del compartimento de alimentos frescos se ajusta con ayuda de un destornillador. Ponga el tornillo de ajuste de la bisagra en posición «1» moviéndolo desde la posición «0».



5.11 Cambiar el sentido de apertura de la puerta

Consulte las instrucciones de instalación que se entregan con el producto.

5.12 Sustitución del filtro de agua

Cartucho del filtro de agua

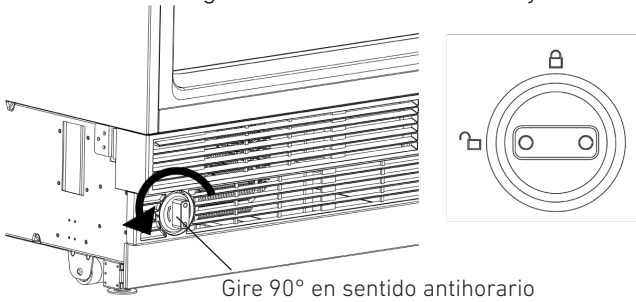
El cartucho del filtro de agua se encuentra en la parte inferior del electrodoméstico.

El cartucho del filtro debe sustituirse cada 130 días, de lo contrario disminuye el caudal de agua que llega al dispensador de agua o a la máquina de hielo.

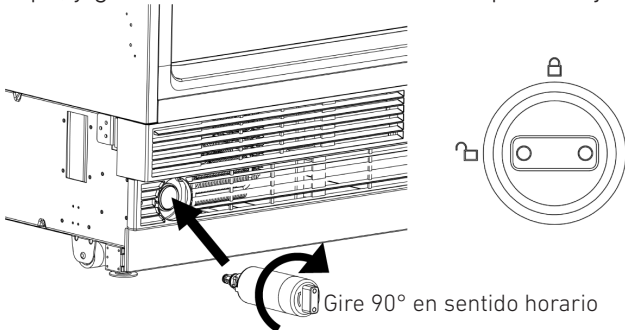
El símbolo de alarma de sustitución del filtro de agua se enciende en la pantalla del refrigerador/congelador después de 130 días de uso de cada filtro de agua instalado.

Cambio del cartucho del filtro de agua

Gire el filtro de agua en sentido antihorario y retírelo.



Introduzca el filtro de agua con los pomos de la parte delantera en posición horizontal hasta el tope, y gírelo en sentido horario hasta que encaje.



Después de sustituir el cartucho del filtro de agua

En las columnas del refrigerador, deje correr 8 litros (2 galones) del dispensador de agua para eliminar el aire del sistema. Un cartucho de filtro recién instalado chorrea y gotea agua hasta que se elimina el aire del sistema.

En las columnas del congelador, es posible que la máquina de hielo no produzca hielo inmediatamente. Los primeros cubitos de hielo pueden tener forma irregular. Deseche el primer recipiente lleno de hielo para permitir que el aire se purgue del sistema. Un cartucho de filtro recién instalado chorrea y gotea agua en la máquina de hielo hasta que se elimina el aire del sistema.

Después de cambiar el filtro de agua, pulse el botón SELECT durante 5 segundos para restablecer la alarma.

Nota

Es normal que la primera agua y hielo que salga de los dispensadores aparezca descolorida. El color volverá a la normalidad una vez completados todos los procedimientos anteriores.

6. Mantenimiento y limpieza

La vida útil del producto se ampliará y los problemas recurrentes disminuirán si el producto se limpia periódicamente.



ADVERTENCIA

Apague el producto antes de limpiarlo.



ADVERTENCIA

Se recomienda limpiar el condensador cada seis meses, utilizando guantes. No utilice aspiradoras.

No utilice gasolina, benceno ni sustancias similares para limpiar el producto.

Nunca utilice herramientas afiladas, abrasivas, jabón, limpiadores domésticos, detergentes ni cera pulidora para limpiar el producto.

Disuelva una cucharadita de bicarbonato en medio litro de agua. Empape un paño en la solución y escúrralo bien. Limpie el interior del refrigerador con este paño y séquelo bien.

Asegúrese de que no entre agua en la carcasa de la lámpara ni en otros componentes eléctricos.

Si tiene previsto no usar el refrigerador durante mucho tiempo, desenchúfelo, saque toda la comida de dentro, límpielo y deje la puerta entreabierta.

Compruebe cada cierto tiempo que las juntas de la puerta estén limpias. Si no lo están, límpielas.

Saque todos los artículos del interior del producto para quitar la puerta y los estantes estructurales.

Quite los contenedores de la puerta tirando de ellos hacia arriba. Deslice los estantes hacia abajo por las guías para volver a instalarlos después de limpiarlos. Nunca utilice agentes limpiadores a base de cloro ni agua para limpiar las superficies externas ni las partes cromadas del producto. El cloro provoca abrasión en estas superficies metálicas.

6.1 Prevenir olores desagradables

En la fabricación de nuestros refrigeradores no se han utilizado materiales que puedan provocar olores desagradables. No obstante, pueden aparecer olores desagradables si los alimentos no se almacenan adecuadamente o si la superficie interna del producto no se limpia como debería.

Tenga en cuenta las siguientes consideraciones para prevenir este problema:

Es importante mantener limpio el refrigerador. Los residuos de comida, las manchas, etc. puede provocar olores desagradables. Por este motivo, limpie el refrigerador con bicarbonato disuelto en agua cada 15 días.

No utilice nunca detergentes ni jabón.

Guarde los alimentos en recipientes cerrados. Los microorganismos que emiten los recipientes sin tapa podrían provocar olores desagradables.

No guarde alimentos caducados o echados a perder en el refrigerador.

6.2. Protección de las superficies de plástico

No meta aceites líquido o comidas cocinadas con aceite en el refrigerador dentro de recipientes sin cierre hermético, porque dañarán las superficies de plástico del refrigerador.

Si se derrama aceite o se manchan de aceite las superficies de plástico, limpie y aclare la parte afectada de la superficie con agua caliente de inmediato.



ADVERTENCIA

Apague el producto antes de limpiarlo.

6.3 Limpieza de la superficie interna

Para limpiar las superficies internas y todos los componentes desmontables, lávelos con una solución suave de jabón, agua y bicarbonato. Aclare y seque bien.

Procure que el agua no entre en contacto con la iluminación ni con el panel de control.



ADVERTENCIA

No utilice vinagre, alcohol isopropílico ni otros limpiadores de base alcohólica para limpiar las superficies internas.

6.4 Superficies externas de acero inoxidable

Utilice un agente limpiador para acero inoxidable que no sea abrasivo y aplíquelo con un paño suave que no deje pelusa.

Para dar brillo, limpie con suavidad la superficie con un paño de microfibra húmedo y utilice una gamuza seca.

Siga siempre las vetas del acero inoxidable.

Consulte la siguiente lista antes de llamar al servicio

7. RESOLUCIÓN DE PROBLEMAS

técnico. Esto le permitirá ahorrar tiempo y dinero. Esta lista incluye los problemas más frecuentes que no se deben a un fallo de la mano de obra o de uso normal del material. Es posible que su producto no tenga algunas de las funciones que se describen aquí.

El refrigerador no funciona

- Puede que no esté bien enchufado.
 - > Enchufe el producto correctamente.
- Es posible que se haya fundido el fusible del enchufe al que está conectado su refrigerador o el fusible principal.
 - > Compruebe el fusible.

Hay condensación en el compartimento refrigerador

- La puerta puede haber sido abierta/cerrada con frecuencia.
 - > No abra y cierre la puerta del refrigerador con frecuencia.
- El ambiente circundante puede ser demasiado húmedo.
 - > No instale el refrigerador en un lugar con un nivel de humedad muy elevado.
- Los alimentos que contienen líquidos pueden haber sido colocados dentro del refrigerador en recipientes sin tapa.
 - > No coloque alimentos que contengan líquidos dentro del refrigerador en recipientes sin cerrar.
- La puerta del refrigerador puede haberse quedado entreabierta.
 - > No mantenga las puertas de su refrigerador abiertas durante mucho tiempo.

El compresor no funciona

- El protector de sobrecarga térmica del compresor apagará el compresor en caso de un apagón repentino o cuando el electrodoméstico se desconecte y luego se vuelva a enchufar, ya que la presión del refrigerante en el sistema de refrigeración del refrigerador aún no se ha equilibrado.
- El refrigerador volverá a funcionar transcurridos unos 6 minutos. Llame al Servicio Técnico Autorizado si el refrigerador no arranca transcurrido ese tiempo.
- El congelador está en un ciclo de descongelación.
 - >>> Esto es normal en un refrigerador que realiza una descongelación totalmente automática. El ciclo de descongelación se realiza periódicamente.
- Puede que el refrigerador no esté enchufado.
 - > Asegúrese de que el enchufe encaja en la toma de corriente.
- Los ajustes de temperatura pueden ser incorrectos.
 - > Seleccione el valor de temperatura correcto.
- Posible fallo de alimentación.
 - > El refrigerador volverá a funcionar con normalidad

en cuanto se restablezca el suministro eléctrico.

El ruido normal de funcionamiento aumenta cuando el refrigerador está en marcha

El rendimiento operativo del refrigerador puede variar en función de los cambios en la temperatura ambiente. Esto es normal, no es un defecto.

Vibración o ruido

- El suelo puede no estar estable o nivelado.
 - > Si el refrigerador tiembla al moverlo ligeramente, ajuste las patas para equilibrarlo. Compruebe que el suelo esté nivelado y tenga capacidad para soportar el peso del refrigerador.
- Los objetos colocados encima del refrigerador pueden provocar ruidos.
 - > Retire cualquier objeto que se encuentre sobre el refrigerador.

Se escuchan ruidos en el refrigerador como si estuviera derramándose o pulverizándose algún líquido

- El funcionamiento normal de un refrigerador implica flujos de líquido y gas. Esto es normal, no es un defecto.

El refrigerador emite un silbido

- Se utilizan ventiladores para enfriar el refrigerador. Esto es normal, no es un defecto.

La humedad se acumula en las paredes internas del refrigerador

- El tiempo caluroso y húmedo aumenta la formación de hielo y la condensación. Esto es normal, no es un defecto.
- Las puertas pueden haberse abierto con frecuencia o haberse dejado entreabiertas durante mucho tiempo.
 - > No abra las puertas con frecuencia. Cierre las puertas que estén abiertas.
- La puerta puede haberse quedado entreabierta.
 - > Cierre completamente la puerta.

La humedad aparece en la superficie exterior del refrigerador o entre las puertas

- El aire ambiente puede estar húmedo. Esto es bastante normal en climas húmedos.
 - > La condensación desaparecerá cuando disminuya el nivel de humedad.
- Puede producirse condensación exterior en la sección situada entre las dos puertas del refrigerador si utiliza el electrodoméstico con poca frecuencia. Esto es normal. La condensación desaparecerá con un uso frecuente.

El interior del refrigerador huele mal

- Es posible que no se haya realizado una limpieza periódica.
 - > Limpie el interior del refrigerador con una

esponja, agua tibia o una solución de agua y bicarbonato sódico.

- Algunos envases o materiales de embalaje pueden ser fuente de olores desagradables.
 - > Utilice un envase diferente o materiales de envasado de otra marca.
- Es posible que se hayan colocado alimentos dentro del refrigerador en recipientes sin tapar.
 - > Almacene los alimentos en recipientes cerrados. Los microorganismos que emiten los recipientes sin tapa podrían provocar olores desagradables.
- Retire del refrigerador cualquier alimento caducado o en mal estado.

La puerta no se cierra

- Los paquetes de comida pueden estar impidiendo que la puerta se cierre.
 - > Reubique los paquetes que obstruyan la puerta.
- Es posible que el refrigerador no se encuentre en una posición estable sobre el suelo.
 - > Ajuste las patas del refrigerador según sea necesario para garantizar su estabilidad.
- El suelo puede no estar nivelado o no ser resistente.
 - > Compruebe que el suelo esté nivelado y tenga capacidad para soportar el peso del refrigerador.

Los cajones para verduras están atascados

- Los alimentos pueden estar tocando el techo del cajón.
 - > Reorganice los alimentos dentro del cajón.



ADVERTENCIA

Si no puede resolver el problema pese a seguir las instrucciones que figuran en este apartado, consulte a su distribuidor o al Servicio Técnico Autorizado. No intente nunca reparar un producto averiado por su cuenta.

8. ATENCIÓN AL CLIENTE

Para obtener información sobre la garantía y solicitar servicio, contáctenos:



En EE.UU.:

<https://us.bertazzoni.com/more/support>

En Canadá:

<https://ca.bertazzoni.com/more/support>