

36" Series 9 Professional 6 Burner Dual Fuel Self-Cleaning Range, Natural Gas

Series 9 | Professional

Stainless Steel | Natural Gas



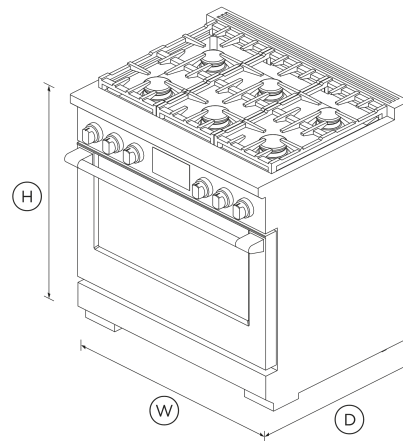
Get the best of gas and convection technology in this striking range with intuitive touchscreen and specialized cooking functions.

- Guided cooking using your touchscreen makes it simple to cook by food, function or recipe.
- Top burner heat of 23,500 BTU, for seriously fast boiling
- 4.8 cu ft total oven capacity

- Beautiful LED halo-illuminated dials provide information at a glance

DIMENSIONS

Height	35 3/4 - 36 3/4 "
Width	35 7/8 "
Depth	29 1/8 "



FEATURES & BENEFITS

Cook With Confidence

Our touchscreen interface provides an intuitive guided cooking experience that helps deliver perfect results, whether you've been cooking all your life or just starting out. Cook with a favorite method, a hero ingredient, or a go-to cooking function or recipe. The screen tilts for improved ergonomics and optimal visibility while cooking.

Generous Capacity

Featuring a large 4.8 cu ft total capacity convection oven, with enough room to fit a 32 lb turkey and full-size baking sheets.

Cooking Flexibility

No matter what you're cooking, you've got the right heat to get perfect results. Each of the 15 oven functions have been extensively researched and carefully designed to cater to a broad range of dishes and cooking styles. The handy food probe helps you monitor your progress.

Cooktop Power

Sealed dual flow burners deliver cooktop power up to 23,500 BTU for seriously fast boiling, and precise 140°F full surface, low temperature cooking with the gentlest of flames.

Design Quality

This range has craftsmanship in every detail, with real stainless steel, cast-iron grates, and beautifully weighted, halo illuminated dials. Each cavity features incandescent lights and full extension telescopic racks. From the robust legs to the powerful cooktop, this Range is built to last.

Easy To Clean

The oven features a self-cleaning function and self-clean proof side racks, which don't need to be removed when using this function.

SPECIFICATIONS

Accessories (included)

- Adjustable feet covers
- Branded coin end cap

Accessories (sold separately)

- Square handle option **AH-R36**

Wok grate included **No**

Burner ratings

Maximum burner power **23500 BTU**
 Power back centre **18500BTU**
 Power back left **18500BTU**
 Power back right **18500BTU**
 Power front centre **18500BTU**
 Power front left **23500BTU**
 Power front right **23500BTU**
 Total cooktop power **121000 BTU**

Capacity

Shelf positions **5**
 Total capacity **4.8 cu ft**
 Usable capacity **3.8 cu ft**

Cleaning

Easy clean porcelain basepan **•**
 Pyrolytic self-clean **•**

Controls

Dial with illuminated halo **•**
 Electric circuit **4 wire**
 High resolution display **•**
 Metal illuminated dials **•**
 Multi-language interface **•**

Precise cooking with food probe
 recipeAndFoodBasedFunctions
 Sabbath mode
 Smart appliance
 Tilting touch screen interface

Gas Requirements

Fitting and pipe **½ NPT, min. ⅝" flex line**
 Supply Pressure (natural gas) **6" to 9" W.C**

Main oven functions

Warm **•**

Oven features

Auto re-ignition system **•**
 Concealed element **•**
 Electronic oven control **•**
 Food probe **•**
 Full extension telescopic sliding shelves **•**
 Internal light **true**
 Large broil pan **•**
 Self-clean proof side racks **•**
 Titanium coated, illuminated metal dials **•**

Oven functions

Air fry **•**
 Bake **•**

Classic bake **•**
 Clean **•**
 Convection bake **•**
 Convection Broil **•**
 Dehydrate **•**
 Dehydrate **•**
 Maxi Broil **•**
 Number of functions **15**
 Pastry bake **•**
 Pizza bake **•**
 Rapid proof **•**
 Roast **•**
 Slow cook **•**
 True convection **•**
 Warm **•**

Oven performance

Bake power **4600W**
 Broil **4000 BTU**
 Main oven - True convection power **2500 W**

Power Requirements

Connection **4-prong grounding type [NEMA 14-50 plug]**
 Service **30 A**
 Supply **120 / 240 V, 60 Hz**

Product Details

Self Cleaning Sf Yes

Product Dimensions

Depth 29 1/8 "
 Depth (excluding handles) 2918 mm
 Height 35 3/4 - 36 3/4 "
 Width 35 7/8 "

Rangetop features

Sealed range top •
 Vent trim included •

Recommended Back Guards Ventilation

Combustible situation **BGRV3-3036H**
 Non combustible situation **BGRV2-3036 /
BGRV2-1236**
 Recommended hood **HCB36-6_N (36"
Professional
Range Hood) /
HCB36-12_N (36"
Professional
Range Hood,
Dual Blower)**

Safety

ADA compliant •
 Full extension telescopic sliding shelves •

Secondary oven features

Food probe •

SKU 82941

The product dimensions and specifications in this page apply to the specific product and model. Under our policy of continuous improvement, these dimensions and specifications may change at any time. You should therefore check with Fisher & Paykel's Customer Care Centre to ensure this page correctly describes the model currently available. © Fisher & Paykel Appliances Ltd 2020

Other product downloads available at fisherpaykel.com

- [↓](#) 2D-DWG Dual Fuel Range with Backguard BGRV2-1236
- [↓](#) 2D-DWG Dual Fuel Range with Backguard BGRV2-3036
- [↓](#) 2D-DWG Dual Fuel Range with Backguard BGRV2-3036H and Angled Trim
- [↓](#) 2D-DWG Dual Fuel Range
- [↓](#) 2D-DXF Dual Fuel Range with Backguard BGRV2-1236
- [↓](#) 2D-DXF Dual Fuel Range with Backguard-BGRV2-3036
- [↓](#) 2D-DXF Dual Fuel Range with Backguard BGRV2-3036H and Angled Trim
- [↓](#) 2D-DXF Dual Fuel Range
- [↓](#) ArchiCAD Dual Fuel Range
- [↓](#) Service & Warranty
- [↓](#) Planning Guide Professional Style Dial/Handle Accessories
- [↓](#) Revit Dual Fuel Range
- [↓](#) Rhino Dual Fuel Range
- [↓](#) Sketchup Dual Fuel Range
- [↓](#) User Guide Professional Range EN

Where applicable:

All appliances use energy, and energy usage typically generates carbon emissions. **Fisher & Paykel Appliances' In-use Energy Carbon Emissions Estimate** indicates carbon emissions from a product's in-use energy. This is calculated either annually or per cycle, using the product's market-specific energy label energy consumption data multiplied by the carbon emissions factor for energy in your country or region.

Our In-use Energy Carbon Emissions Estimate is designed to assist customers in making informed purchasing decisions when comparing different Fisher & Paykel products. For example, a heat pump dryer typically has a lower In-use Energy Carbon Emissions Estimate than a vented dryer.



A PEACE OF MIND SALE
24 Hours 7 Days a Week Customer Support
 T 1.888.936.7872 W www.fisherpaykel.com