

# 36" Series 9 Professional 6 Burner Dual Fuel Self-Cleaning Range, LPG

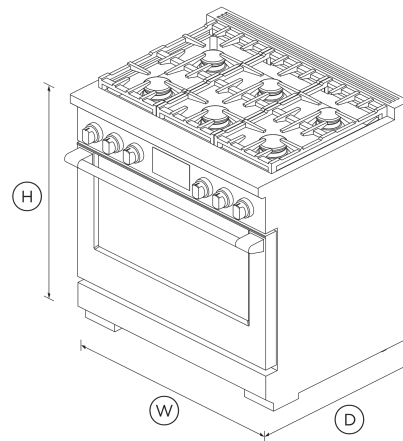
Series 9 | Professional

Stainless Steel | LPG

- Beautiful LED halo-illuminated dials provide information at a glance

## DIMENSIONS

Height	35 3/4 - 36 3/4 "
Width	35 7/8 "
Depth	29 1/8 "



## Generous Capacity

Featuring a large 4.8 cu ft total capacity convection oven, with enough room to fit a 32 lb turkey and full-size baking sheets.

## Cooking Flexibility

No matter what you're cooking, you've got the right heat to get perfect results. Each of the 15 oven functions have been extensively researched and carefully designed to cater to a broad range of dishes and cooking styles. The handy food probe helps you monitor your progress.

## Cooktop Power

Sealed dual flow burners deliver cooktop power up to 19,000 BTU for seriously fast boiling, and precise 140°F full surface, low temperature cooking with the gentlest of flames.

## Design Quality

This range has craftsmanship in every detail, with real stainless steel, cast-iron grates, and beautifully weighted, halo illuminated dials. Each cavity features incandescent lights and full extension telescopic racks. From the robust legs to the powerful cooktop, this Range is built to last.

## Easy To Clean

The oven features a self-cleaning function and self-clean proof side racks, which don't need to be removed when using this function.

## SPECIFICATIONS

### Accessories (included)

- Adjustable feet covers
- Branded coin end cap

### Accessories (sold separately)

- Square handle option **AH-R36**

## FEATURES & BENEFITS

### Cook With Confidence

Our touchscreen interface provides an intuitive guided cooking experience that helps deliver perfect results, whether you've been cooking all your life or just starting out. Cook with a favorite method, a hero ingredient, or a go-to cooking function or recipe. The screen tilts for improved ergonomics and optimal visibility while cooking.

Get the best of gas and convection technology in this striking range with intuitive touchscreen and specialized cooking functions.

- Guided cooking using your touchscreen makes it simple to cook by food, function or recipe.
- Top burner heat of 19,000 BTU, for seriously fast boiling
- 4.8 cu ft total oven capacity

Wok grate included **No**

**Burner ratings**

Maximum burner power **19000 BTU**  
 Power back centre **13000BTU**  
 Power back left **13000BTU**  
 Power back right **13000BTU**  
 Power front centre **15000BTU**  
 Power front left **19000BTU**  
 Power front right **19000BTU**  
 Total cooktop power **92000 BTU**

**Capacity**

Shelf positions **5**  
 Total capacity **4.8 cu ft**  
 Usable capacity **3.8 cu ft**

**Cleaning**

Easy clean porcelain basepan **•**  
 Pyrolytic self-clean **•**

**Controls**

Dial with illuminated halo **•**  
 Electric circuit **4 wire**  
 High resolution display **•**  
 Metal illuminated dials **•**  
 Multi-language interface **•**

Precise cooking with food probe  
 recipeAndFoodBasedFunctions  
 Sabbath mode  
 Smart appliance  
 Tilting touch screen interface

**Gas Requirements**

Fitting and pipe **½ NPT, min. ⅝" flex line**  
 Supply Pressure (LPG) **11" to 14" W.C**

**Main oven functions**

Warm **•**

**Oven features**

Auto re-ignition system **•**  
 Concealed element **•**  
 Electronic oven control **•**  
 Food probe **•**  
 Full extension telescopic sliding shelves **•**  
 Internal light **true**  
 Large broil pan **•**  
 Self-clean proof side racks **•**  
 True convection **•**

**Oven functions**

Air fry **•**  
 Bake **•**

Classic bake **•**  
 Clean **•**  
 Convection bake **•**  
 Convection Broil **•**  
 Dehydrate **•**  
 Dehydrate **•**  
 Maxi Broil **•**  
 Number of functions **15**  
 Pastry bake **•**  
 Pizza bake **•**  
 Rapid proof **•**  
 Roast **•**  
 Slow cook **•**  
 True convection **•**  
 Warm **•**

**Oven performance**

Main oven - True convection power **2500 W**

**Power Requirements**

Connection **4-prong grounding type [NEMA 14-50 plug]**  
 Service **30 A**  
 Supply **120 / 240 V, 60 Hz**

**Product Dimensions**

Depth **29 1/8 "**

Depth (excluding handles)	29 1/8 "
Height	35 3/4 - 36 3/4 "
Width	35 7/8 "

SKU 82942

The product dimensions and specifications in this page apply to the specific product and model. Under our policy of continuous improvement, these dimensions and specifications may change at any time. You should therefore check with Fisher & Paykel's Customer Care Centre to ensure this page correctly describes the model currently available. © Fisher & Paykel Appliances Ltd 2020

All appliances use energy, and energy usage typically generates carbon emissions. **Fisher & Paykel Appliances' In-use Energy Carbon Emissions Estimate** indicates carbon emissions from a product's in-use energy. This is calculated either annually or per cycle, using the product's market-specific energy label energy consumption data multiplied by the carbon emissions factor for energy in your country or region.

Our In-use Energy Carbon Emissions Estimate is designed to assist customers in making informed purchasing decisions when comparing different Fisher & Paykel products. For example, a heat pump dryer typically has a lower In-use Energy Carbon Emissions Estimate than a vented dryer.

**Rangetop features**

- Vent trim included •

**Recommended Back Guards Ventilation**

Combustible situation	<b>BGRV3-3036H</b>
Non combustible situation	<b>BGRV2-3036 / BGRV2-1236</b>
Recommended hood	<b>HCB36-6_N (36" Professional Range Hood) / HCB36-12_N (36" Professional Range Hood, Dual Blower)</b>

**Other product downloads available at fisherpaykel.com**

- [↓](#) 2D-DWG Dual Fuel Range with Backguard BGRV2-1236
- [↓](#) 2D-DWG Dual Fuel Range with Backguard BGRV2-3036
- [↓](#) 2D-DWG Dual Fuel Range with Backguard BGRV2-3036H and Angled Trim
- [↓](#) 2D-DWG Dual Fuel Range
- [↓](#) 2D-DXF Dual Fuel Range with Backguard BGRV2-1236
- [↓](#) 2D-DXF Dual Fuel Range with Backguard-BGRV2-3036
- [↓](#) 2D-DXF Dual Fuel Range with Backguard-BGRV2-3036H and Angled Trim
- [↓](#) 2D-DXF Dual Fuel Range
- [↓](#) ArchiCAD Dual Fuel Range
- [↓](#) Service & Warranty
- [↓](#) Planning Guide Professional Style Dial/Handle Accessories
- [↓](#) Revit Dual Fuel Range
- [↓](#) Rhino Dual Fuel Range
- [↓](#) Sketchup Dual Fuel Range
- [↓](#) User Guide Professional Range EN

Where applicable:

**Safety**

- ADA compliant •
- Full extension telescopic sliding shelves •

**Secondary oven features**

- Food probe •

**Warranty**

Parts and labor **Limited 2 years**



**A PEACE OF MIND SALE**  
**24 Hours 7 Days a Week Customer Support**  
 T 1.888.936.7872 Wwww.fisherpaykel.com