

PWB7030SV

GE Profile™ Series 30" Built-In Microwave/Convection Oven

DIMENSIONS AND CABINET INSTALLATION INFORMATION (IN INCHES)

NOTE:

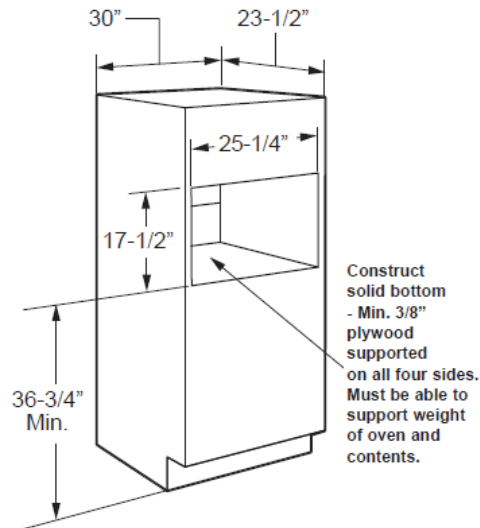
- Cabinets installed adjacent to wall ovens must have an adhesion spec of at least a 194°F temperature rating.
- 2" minimum between cutouts when installed above warming drawer or single wall oven.
- Built-In Convection Oven can be installed in combination with other Built-In appliances. Always follow each product's Installation Instructions to complete the installation

INSTALLATION INFORMATION:

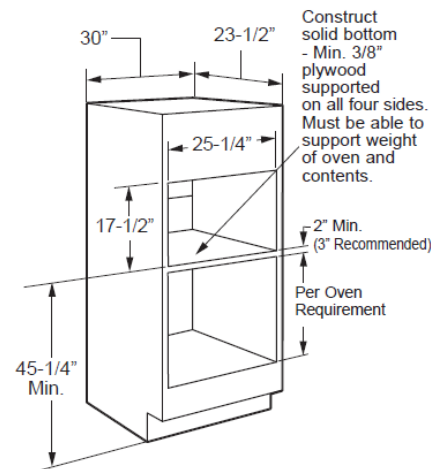
Before installing, consult installation instructions packed with product for current dimensional data.

Built-In Convection Oven Installation:

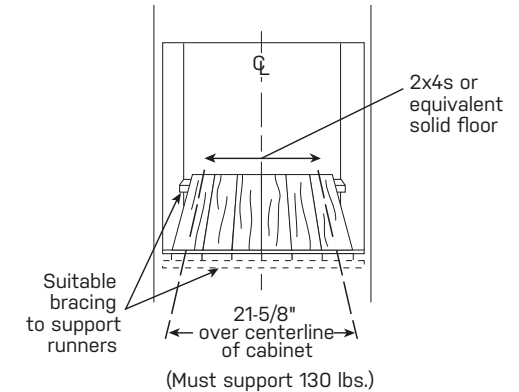
Order a 30" wide single oven cabinet or cut the opening in a wall to the dimensions shown.



Installation over a Wall Oven:



- If you are replacing an electric double oven with the combined installation of an Built-In Advantium/Convection Oven and a single oven, use the dimensions shown. The middle rail separating the two openings may need to be larger than the 2" minimum shown.



For answers to your Monogram, Café™, GE Profile™ or GE Appliances product questions, visit our website at geappliances.com or call GE Answer Center® Service, 800.626.2000.



Product Specification Revised 7/24

PWB7030SV

GE Profile™ Series 30" Built-In Microwave/Convection Oven

FEATURES AND BENEFITS

1.7 CU.FT CAPACITY – 975 microwave watts and 1500 convection watts

CONVECTION COOKING – Choose this setting when baking or browning is desired

COMBINATION FAST COOK SETTING – Combines microwave and radiate heat for speed.

BRILLIANT 7" TOUCHSCREEN DISPLAY – A bright, interactive touch screen is easy to use and includes custom screen backgrounds, weather updates etc.

IN-OVEN CAMERA – Check on your food from anywhere without opening the oven door by livestreaming video of your food on your smartphone

BUILT-IN WIFI – Ensure your oven always has the latest features with downloadable software upgrades.

MULTIPLE COOKING MODES – Convection bake, sensor microwave, broil, toast, warm, proof

DEFROST OPTIONS -- Defrost by time, weight or food type

WARMING AND PROOFING OVEN -- Keep food hot and ready to serve with the warming mode or use the proofing mode to provide the ideal environment for bread dough to rise

UNDER-THE-COUNTER INSTALLATION FLEXIBILITY

MODEL PWB70303SVSS – Stainless steel



Product Specification Revised 7/24