

PSB9240SV

GE Profile™ Series 30" Single Wall Oven with Advantium® Technology

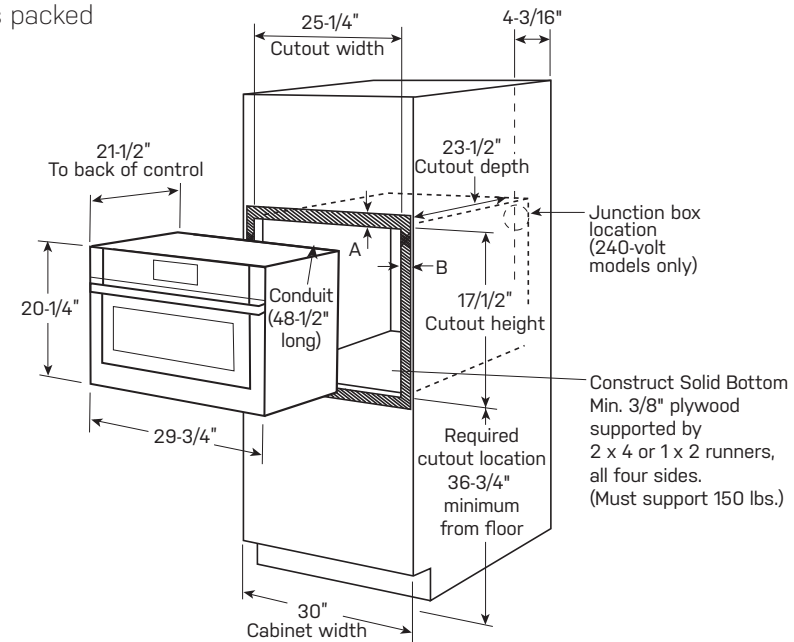
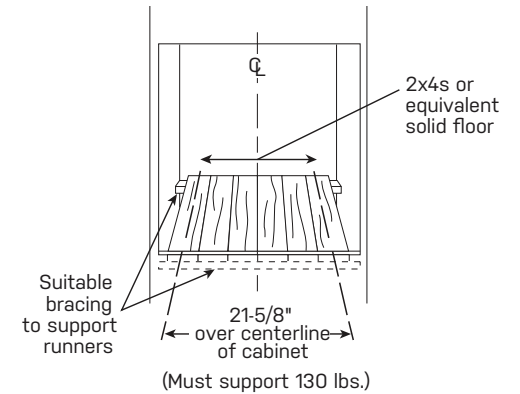
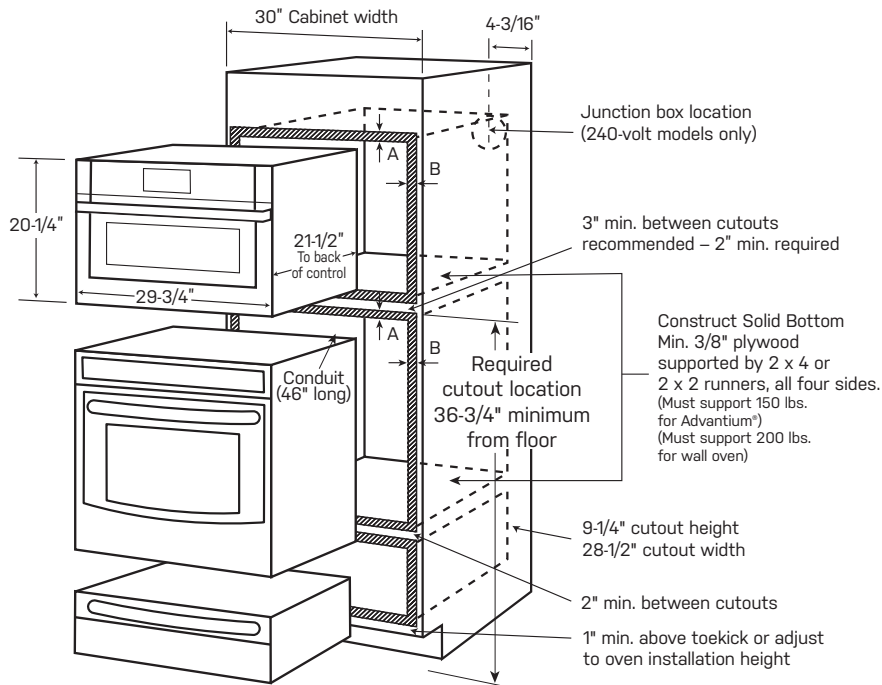
ADVANTIUM WALL OVEN/GE PROFILE™ SERIES COOKING TOWER DIMENSIONS AND CABINET INSTALLATION INFORMATION (IN INCHES)

NOTE:

- Cabinets installed adjacent to wall ovens must have an adhesion spec of at least a 194°F temperature rating.
- 2" minimum between cutouts when installed above warming drawer or single wall oven.
- Advantium 240-volt models cannot be installed under 36" height.
- Use of the accessory drawer will replace the bottom trim piece for applicable installations.

Please see installation instructions for full details.

INSTALLATION INFORMATION: Before installing, consult installation instructions packed with product for current dimensional data for current dimensional data.



A / B = Allow the following clearances around the cutout on the front surface of the cabinet: 1-7/8" from the top, 2-3/8" from the side edges and 1-1/8" from the bottom.

NOTE: these refer to minimum clearances required for installation and do not reflect actual product dimensions.



For answers to your Monogram, Café™, GE Profile™ or GE Appliances product questions, visit our website at geappliances.com or call GE Answer Center® Service, 800.626.2000.



Product Specification Revised 7/24

PSB9240SV

GE Profile™ Series 30" Single Wall Oven with Advantium® Technology

FEATURES AND BENEFITS

SPEEDCOOK OVEN (240V) – Enjoy oven-quality results two to eight times faster than a conventional oven.

MULTIPLE COOKING FUNCTIONS – Expand your cooking versatility with an all-in-one oven.

MULTIPLE HEAT SOURCES – True European convection, microwave and light are used in different combinations to achieve your desired cooking results halogen heat.

OVER 175 PREPROGRAMMED MENU SELECTIONS – Preprogrammed selections make meals easy.

CUSTOM RECIPE SAVER – Conveniently store cooking instructions for up to 30 different recipes.

IN-OVEN CAMERA – Check on your food from anywhere without opening the oven door by livestreaming video of your food on your smartphone.

BUILT-IN WIFI, POWERED BY SMARTHQ™ APP – Connect, control and manage your oven from anywhere with your smartphone or tablet. (Select features require WiFi Connection.)

BUILT-IN WIFI – Ensure your oven always has the latest features with downloadable software upgrades.

BRILLIANT 7" TOUCHSCREEN DISPLAY – A bright, interactive touch screen is easy to use and includes custom screen backgrounds, weather updates and a pop of intrigue with fun food facts.

THREE-SPEED, 300-CFM VENTING SYSTEM

ALLOWS FOR USE WITH JX2200/2201 STORAGE DRAWER

PSB9240SVSS – Stainless Steel

