



EN	INSTALLATION MANUAL USER AND MAINTENANCE MANUAL INDUCTION RANGETOP	3
FR	MANUEL D'INSTALLATION MANUEL D'UTILISATION ET D'ENTRETIEN PLAQUE À INDUCTION	31

FROM THE DESK OF OUR PRESIDENT

Dear new owner of a Bertazzoni appliance,

I want to thank you for choosing one of our beautiful products for your home.

My family started manufacturing kitchen appliances in Italy in 1882, building a reputation for quality of engineering and passion for good food.

Today, our products stand out because of their unique blend of authentic Italian design and superior appliance technology. It is our mission to make products that function perfectly and bring joy to their owners.

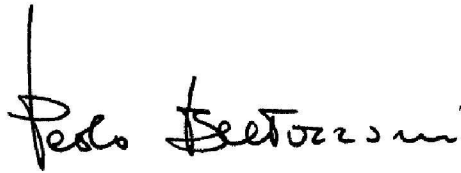
By making beautiful products we respond to our customers' flair for good design. By making them versatile and easy-to-use, cooking with Bertazzoni becomes a real pleasure.

This manual will help you learn to use and care for your Bertazzoni appliance in the safest and most effective way, so that it can give you the highest satisfaction for years to come.

Enjoy!

Paolo Bertazzoni

President

A handwritten signature in black ink that reads "Paolo Bertazzoni". The signature is written in a cursive style with a vertical line above the first letter 'P'.

USER MANUAL VALIDITY

The following manual is valid for all the product codes mentioned below:

- MAST365IRTXT
- PROF365IRTXT

CONTENTS

INSTALLATION MANUAL	7
WARNINGS	7
DATA RATING LABEL	7
BEFORE INSTALLATION	8
ROOM VENTILATION	8
VENTILATION PREPARATION	9
SELECT HOOD AND BLOWER MODELS	9
HOOD PLACEMENT	9
CONSIDER MAKE-UP AIR	9
SPECIFICATIONS	10
CABINET PREPARATION	10
BASE SUPPORT MIN	10
CLEARANCE DIMENSIONS	11
INSTALLATION ADJACENT TO KITCHEN CABINETS	11
CABINET	11
INSTALLATION REQUIREMENTS	12
ELECTRICAL	12
ELECTRICAL CONNECTION	13
ELECTRICAL GROUNDING	13
WIRING DIAGRAM	14
INSTALLATION	15
APPLIANCE INSTALLATION	15
INSTALLING THE ISLAND TRIM	16
INSTALLATION CHECKLIST	17
FINAL PREPARATION	18
BERTAZZONI SERVICE	19
USER MANUAL	20
WARNINGS	20
TO PREVENT FIRE OR SMOKE DAMAGE	20
IN CASE OF FIRE	20
CHILD SAFETY	20
COOKING SAFETY	21
RECOMMENDED UTENSILS	21
CLEANING SAFETY	22
ROOM VENTILATION	22
ELECTRICAL SHOCK HAZARD	22
WORKTOP AND KNOBS LAYOUT	23
HEATING ELEMENT	23
INDUCTION COOKTOP	24
COOKING WITH INDUCTION	24
TURNING ON THE INDUCTION ELEMENT	24
USING SPECIAL FUNCTIONS	24
SUITABLE INDUCTION COOKWARE	25
NOISE DURING OPERATION	26
INDUCTION DIMENSION	26
RECOMMENDATIONS	26
KEEPING YOUR BERTAZZONI CLEAN	27
BURN HAZARD	27
THINGS TO AVOID	27
CLEANING STAINLESS STEEL	27
CLEANING PAINTED SURFACES	27
CLEANING THE INDUCTION COOKTOP	27
TROUBLESHOOTING	28
WARRANTY	29
CUSTOMER CARE	29

WARNINGS

To ensure proper and safe operation, the appliance must be properly installed and grounded by a qualified technician. DO NOT attempt to adjust, repair, service, or replace any part of your appliance unless it is specifically recommended in this manual. All other servicing should be referred to a qualified servicer.

FOR THE INSTALLER: Before installing the Bertazzoni appliance, please read these instructions carefully. This appliance shall be installed in accordance with the manufacturer's installation instructions.



IMPORTANT

Save these instructions for the local electrical inspector's use.

DO NOT remove permanently affixed labels, warnings, or plates from product. This may void the warranty.

Installation must conform with all local codes. In the absence of codes:

This rangetop is NOT designed for installation in manufactured (mobile) homes or recreational park trailers.

DO NOT install this range outdoors.

This appliance must be properly grounded. Grounding reduces the risk of electric shock by providing a safe pathway for electric current in the event of a short circuit.



WARNING

To avoid risk of property damage, personal injury or death; follow information in this manual exactly to prevent a fire or explosion.



WARNING

If the information in these instructions is not followed exactly, a fire or explosion may result causing property damage, personal injury or death.

- Do not store or use gasoline or other flammable vapors and liquid in the vicinity of this or any other appliance.



WARNING

Never Operate the Top Surface Cooking Section of this Appliance Unattended.

- Failure to follow this warning statement could result in fire, explosion, or burn hazard that could cause property damage, personal injury, or death.
- If a fire should occur, keep away from the appliance and immediately call your fire department.

DO NOT ATTEMPT TO EXTINGUISH AN OIL/ GREASE FIRE WITH WATER



DANGER

ELECTRIC SHOCK HAZARD!!!

To avoid risk of electrical shock, personal injury or death, verify that the appliance has been properly grounded in accordance with local codes or in absence of codes, with the National Electrical Code (NEC). ANSI/ NFPA 70 - latest edition.



WARNING

Cancer and Reproductive Harm — www.P65Warnings.ca.gov.

DATA RATING LABEL

The data rating label shows the model and serial number of the range. It is located under the control panel and in the last page of this manual.

DO NOT remove permanently affixed labels, warnings, or plates from product. This may void the warranty.

BEFORE INSTALLATION

- This appliance shall only be installed by an authorized professional.
- This appliance shall be installed in accordance with the manufacturer's installation instructions.
- This appliance must be installed in accordance with the norms & standards of the country where it will be installed.
- The appliance, when installed, must be electrically grounded in accordance with local codes or, in the absence of local codes, with the National Electrical Code, ANSI/NFPA 70.

ROOM VENTILATION

An exhaust fan may be used with the appliance; in each case it shall be installed in conformity with the appropriate national and local standards. Exhaust hood operation may affect other vented appliances; in each case it shall be installed in conformity with the appropriate national and local standards.

Do not use aerosol sprays in the vicinity of this appliance while it is in operation.

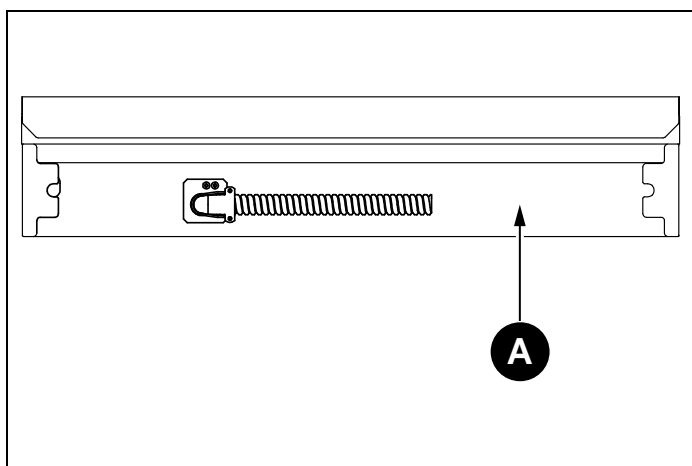


Fig. 1

A Data rating labels location

VENTILATION PREPARATION

This rangetop will best perform when installed with Bertazzoni exhaust hoods. These hoods have been designed to work in conjunction with the Bertazzoni range and have the same finish for a perfect look.

Before installation of the exhaust hood, consult local or regional building and installation codes for additional specific clearance requirements. Refer to the rangetop hood installation instructions provided by the manufacturer for additional information.

SELECT HOOD AND BLOWER MODELS

- For wall installations, the hood should be equal or larger width than the range. Where space permits, a hood larger than the range may be desirable for improved ventilation performance.
- For island installations, the hood width should overhang the range by a minimum of 3" (76 mm) on each side.

HOOD PLACEMENT

- For best removal of smoke and odors, the lower edge of the hood should be installed between 25 1/2" (65 cm) and 31 1/2" (80 cm) above the range cooking surface.
- If the hood contains any combustible materials (i. e. a wood covering), it must be installed at a minimum of 36" (914 mm) above the cooking surface.

CONSIDER MAKE-UP AIR

Due to the high volume of ventilation air, a source of outside replacement air is recommended. This is particularly important for tightly sealed and insulated homes. A qualified heating and ventilating contractor should be consulted.

SPECIFICATIONS

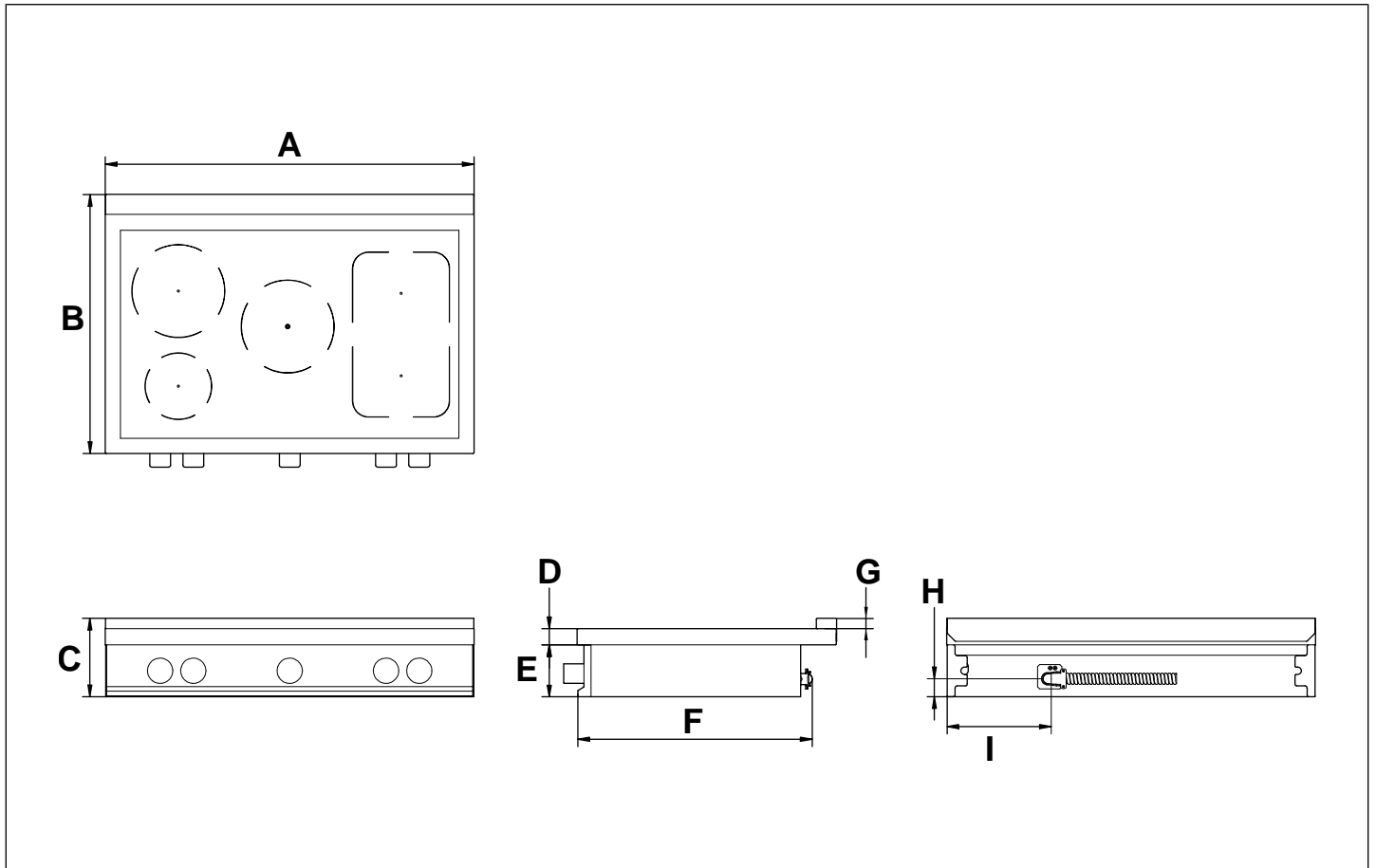


Fig. 2

- **A** 35 3/4"
- **B** 25 1/4"
- **C** 7 5/8"
- **E** 5"
- **F** 22 3/4"
- **G** 1"
- **H** 1 3/4"
- **I** 10 1/8"

CABINET PREPARATION

- 1) To ensure professional results, the cabinet and countertop openings should be prepared by a qualified cabinet worker.
- 2) The clearances shown in figure are required.
- 3) The electrical supply must be located in an area that is accessible without requiring removal of the cooktop. The appliance electrical power cord and gas pipe connection are located on the left rear.
 - Prepare the finished opening for the rangetop according to dimensions shown in the illustration on the following page.
 - The platform must include a cut-out at the right rear for electrical supply connections. It must be level to ensure the cooking surface is level. Refer to the chart below for minimum base support.

BASE SUPPORT MIN

36" rangetop 250 lb (113 kg)



WARNING

To prevent possible damage to cabinets and cabinet finishes, use only materials and finishes that will not discolor or delaminate and will withstand temperatures up to 230°F (110°C). Heat resistant adhesive must be used if the product is to be installed in laminated cabinetry. Check with your builder or cabinet supplier to make sure that the materials meet these requirements.

CLEARANCE DIMENSIONS

INSTALLATION ADJACENT TO KITCHEN CABINETS

This range may be installed directly adjacent to existing countertop high cabinets (36" or 91.5 cm from the floor).

For the best look, the worktop should be level with the cabinet countertop. This can be accomplished by raising the unit using the adjustment spindles on the legs.

ATTENTION: the rangetop CANNOT be installed directly adjacent to kitchen walls, tall cabinets, tall appliances, or other vertical surfaces above 36" (91.4 cm) high. The minimum side clearance in such cases is 6" (15.2 cm).

Wall cabinets with minimum side clearance must be installed 18" (45.7 cm) above the countertop with countertop height between 35 1/2" (90.2 cm) and 37 1/4" (94.6 cm). The maximum depth of wall cabinets above the rangetop shall be 13" (33.0 cm).

CABINET

A	36"(91,5 cm) or 48"(122 cm)
B	30" (76,3 cm) hood with combustible materials
B	25" 1/2 (65 cm) hood with uncombustible materials
C	13" (33 cm)
D	18" (45,7 cm)
E	6" 5/8 (16,8 cm)
F	6" (15,2 cm)
G	min 3" 7/16 max 5" 3/16 (min 8,7 cm max 13 cm)
L	25" 3/16 (8 cm)

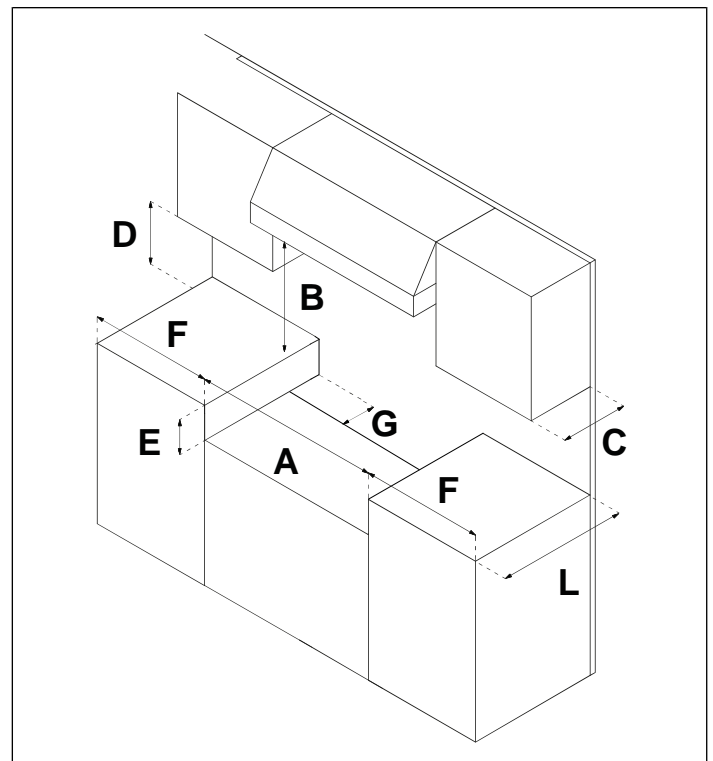



Fig. 3

INSTALLATION REQUIREMENTS

 installation area for the connection

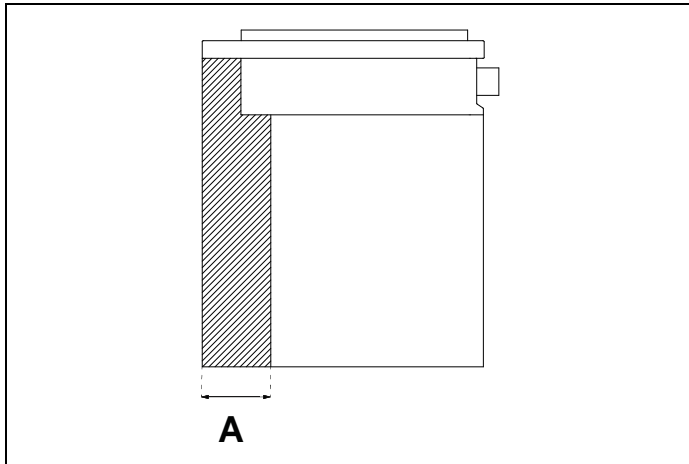


Fig. 4

A min 3" 7/16 max 3" 3/16

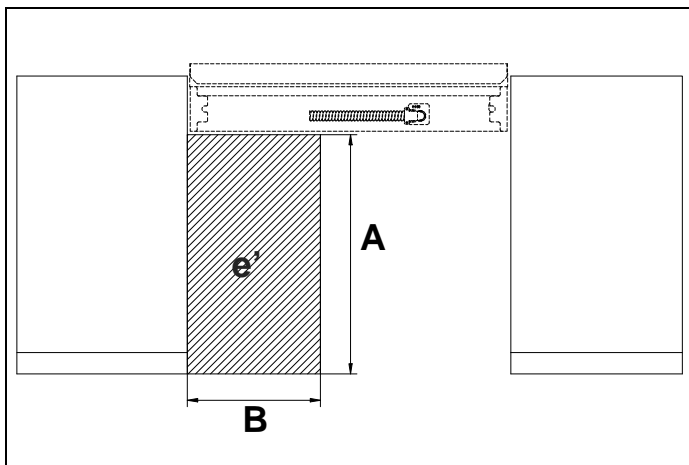


Fig. 5

- A 27"
- B 15"
- e' Electrical

ELECTRICAL

A properly-grounded horizontally- mounted electrical receptacle should be installed no higher than 27" (68.6 cm) above the floor, no less than 2" (5 cm) and no more than 15" (38,1 cm) from the left side (facing product).

Check all local code requirements.

ELECTRICAL CONNECTION



WARNING

ELECTRICAL SHOCK HAZARD

Disconnect electrical power at the circuit breaker box or fuse box before installing the appliance.

Provide appropriate ground for the appliance. Use copper conductors only. Failure to follow these instructions could result in serious injury or death.

ELECTRICAL GROUNDING

This appliance is equipped with a 4 ft (1.2 m) flexible metal cable with 3 wires ready for connection to a dedicated 2 pole, 3 wires grounded power supply.

The appliance shall be connected to an electric line rated at 208 Vac or 240 Vac and 60 Hz frequency.

Voltage	Appliance rating	Electrical supply
208V	44A	50A
240V	44A	50A



WARNING

3 Wires connection:

- Connect the L1 receptacle terminal to the incoming BLACK electrical supply wire (L1-hot wire) -Connect the L2 receptacle terminal to the incoming RED electrical supply wire (L2-hot wire)
- Connect the GROUND receptacle terminal to the incoming GROUND (GREEN) electrical supply wire



CAUTION

Label all wires prior to disconnecting when servicing controls. Wiring errors can cause improper and dangerous operation. Verify proper operation after servicing.

WIRING DIAGRAM

The electric wiring diagrams and schematics are attached behind the rangetop, and should not be removed except by a service technician, then replaced after service.

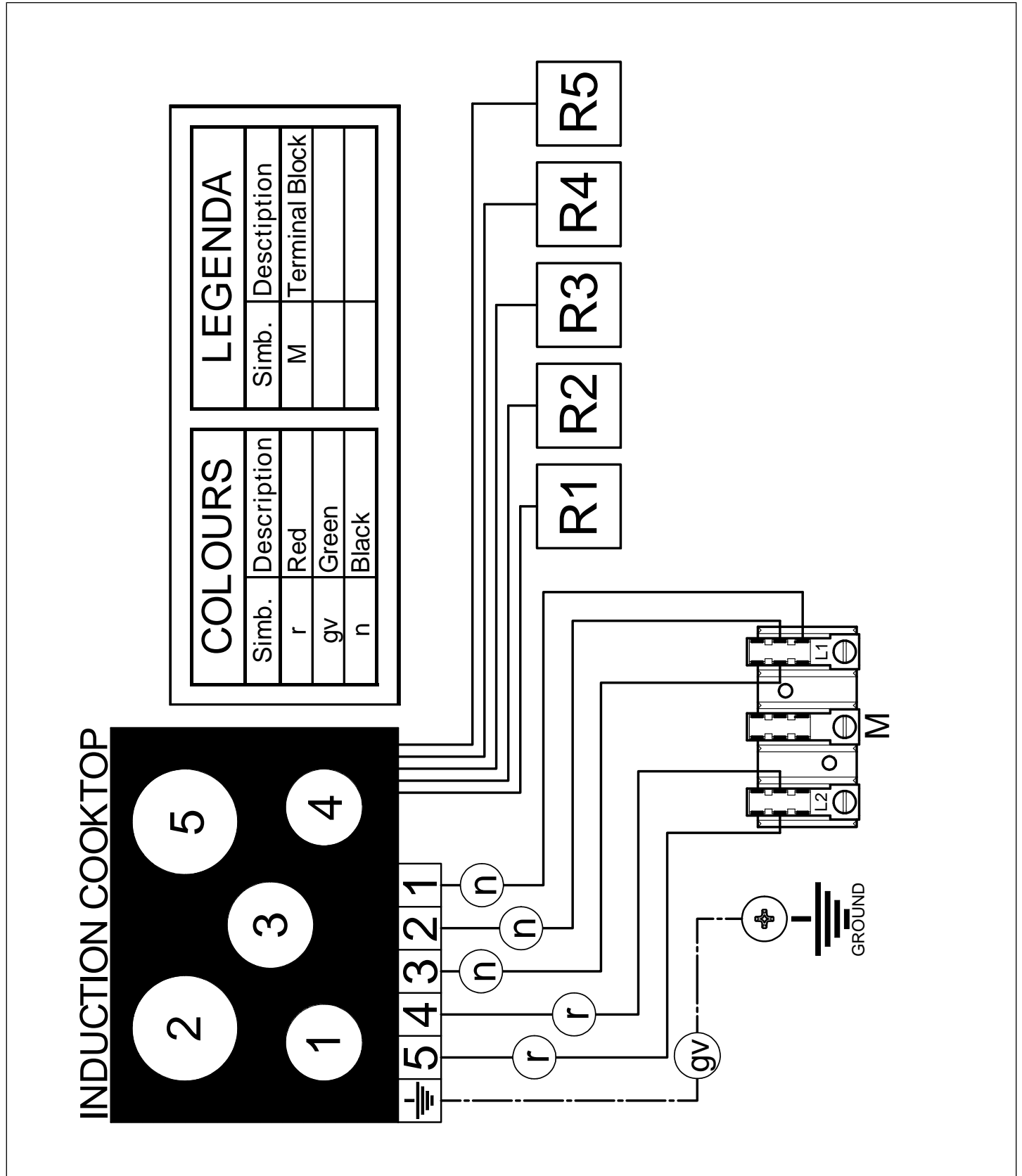


Fig. 6

INSTALLATION

APPLIANCE INSTALLATION

UNPACKING THE RANGETOP

- Remove all packing materials from the shipping pallet but leave the adhesive-backed foam layer over brushed-metal surfaces to protect it from scratches until the range is installed in its final position. Only the film on the side panels should be removed before inserting the range between the cabinets.
- Examine the appliance after unpacking it. In the event of transport damage, do not plug it. Take pictures of the damage and report it immediately to the freight forwarder.
- The grates, griddle plate, burner caps, and oven racks should be removed to facilitate handling.

INSTALLATION

INSTALLING THE ISLAND TRIM

The island trim is only placed on the cooktop, remove all tape and packaging before installing it.

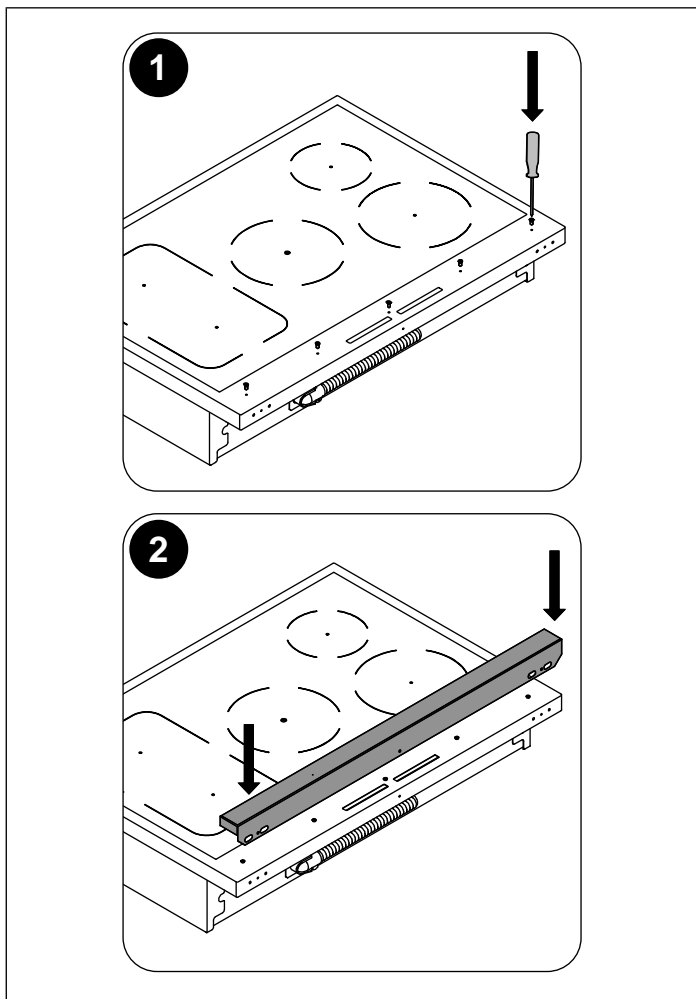


Fig. 7

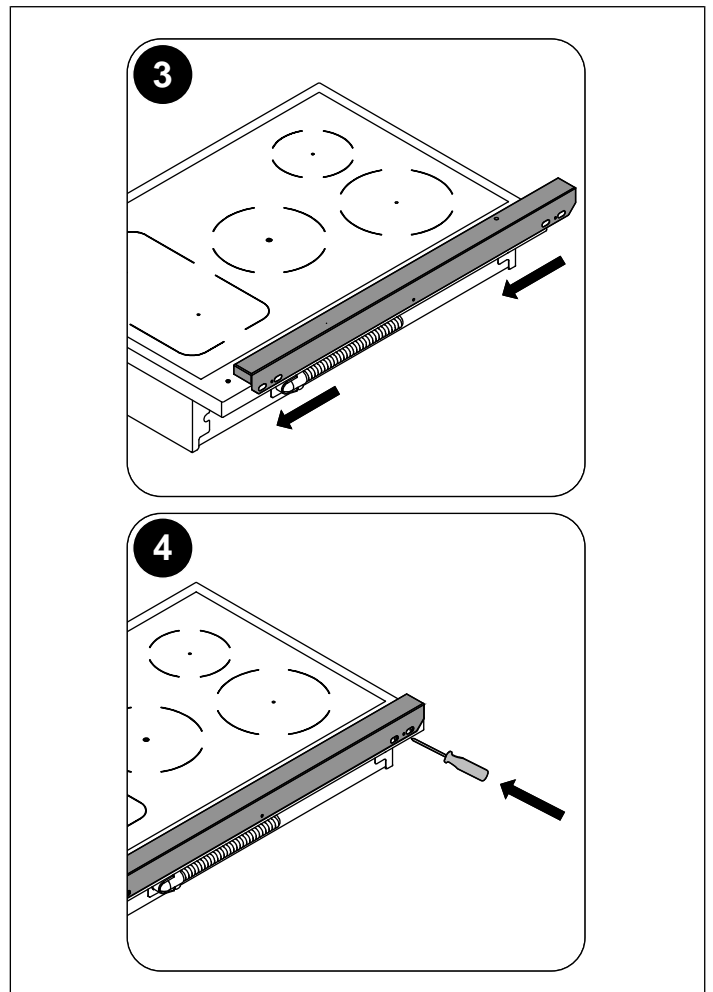


Fig. 8

INSTALLATION CHECKLIST

A qualified installer should carry out the following checks:

- Island trim or Backguard attached according to instruction
- Clearance to cabinet surfaces as manufacturer's guideline
- Proper ground connection

FINAL PREPARATION

- Before using the rangetop, remove any protective wrap from the stainless steel.
- All stainless steel body parts should be wiped with hot, soapy water and with a liquid stainless steel cleanser.
- If buildup occurs, do not use steel wool, abrasive cloths, cleaners, or powders!
- If it is necessary to scrape stainless steel to remove encrusted materials, soak with hot, wet cloths to loosen the material, then use a wood or nylon scraper.
- Do not use a metal knife, spatula, or any other metal tool to scrape stainless steel! Scratches are almost impossible to remove.

BERTAZZONI SERVICE

Bertazzoni is committed to providing the best customer and product service. We have a dedicated team of trained professionals to answer your needs.

If you own a Bertazzoni appliance and need service in the US or Canada please use the following contact information:

If located in the USA:

866 905 0010

<https://us.bertazzoni.com/more/support>

If located in CANADA:

800 561 7265

<https://ca.bertazzoni.com/more/support>

Make sure to keep the following information on hand. Our customer service team will require it to open a service ticket or troubleshoot.

- Purchase Date
- Model*
- Serial Number /Production Date*
- *Can be found on data plate

WARNINGS

Warning and Important Safety Instructions appearing in this manual are not meant to cover all possible conditions and situations that may occur. Common sense, caution, and care must be exercised when installing, maintaining, or operating the appliance.

Read and follow all instructions before using this appliance to prevent the potential risk of fire, electric shock, personal injury or damage to the appliance as a result of improper usage of the appliance. Use appliance only for its intended purpose as described in this manual.

Save this Manual for local electrical inspector's use. Read and save these instructions for future reference. Observe all governing codes, ordinances and regulations.



WARNING

If the information in these instructions is not followed exactly, a fire or explosion may result causing property damage, personal injury or death.

- Do not store or use gasoline or other flammable vapors and liquid in the vicinity of this or any other appliance.
- Installation and service must be performed by a qualified installer, service agency or the gas supplier

To ensure proper and safe operation: Appliance must be properly installed and grounded by a qualified technician. DO NOT attempt to adjust, repair, service, or replace any part of your appliance unless it is specifically recommended in this manual. All other servicing should be referred to a qualified servicer.

TO PREVENT FIRE OR SMOKE DAMAGE

- Be sure all packing materials are removed from the appliance before operating it.
- Never let clothing, potholders, or other flammable materials come in contact with or too close to any element, top burner or burner grate until it has cooled.
- If appliance is installed near a window, proper precautions should be taken to prevent curtains from blowing over burners.
- Never leave any items on the cooktop. The hot air from the vent may ignite flammable items and may increase pressure in closed containers which may cause them to burst.
- Many aerosol-type spray cans are EXPLOSIVE when exposed to heat and may be highly flammable. Avoid their use or storage near an appliance.
- Flammable materials should not be stored in an oven or near surface units.

IN CASE OF FIRE

Turn off appliance and ventilation hood to avoid spreading the flame. Extinguish flame then turn on hood to remove smoke and odor.

- Cooktop: Smother fire or flame in a pan with a lid or cookie sheet.
- NEVER pick up or move a flaming pan.
- Do Not Use Water on Grease Fires - Smother fire or flame or use dry chemical or foam-type extinguisher.

CHILD SAFETY

- NEVER leave children alone or unsupervised near the appliance when it is in use or is still hot.
- NEVER allow children to sit or stand on any part of the appliance as they could be injured or burned.



CAUTION

Do not store items of interest to children in cabinets above the range or on the backguard of the range. Children climbing on the range to reach those items could be seriously injured.

WARNINGS

COOKING SAFETY

- Ensure that the kitchen is well-ventilated. Keep natural venting holes open or install a mechanical ventilation device. Prolonged or intensive use of the appliance may call for additional (such as opening a window) or more effective ventilation (such as increasing the level of a mechanical ventilation if present).
- To eliminate the hazard of reaching over hot surface burners, cabinet storage should not be provided directly above a unit. Temperatures may be unsafe for some items, such as volatile liquids, cleaners or aerosol sprays.
- ALWAYS place a pan on a surface burner before turning it on. Be sure you know which knob controls which surface burner.
- NEVER leave a surface cooking operation unattended especially when using a high heat setting or when deep fat frying. Boilovers cause smoking and greasy spillovers may ignite. Clean up greasy spills as soon as possible. DO NOT use high heat for extended cooking operations.
- DO NOT heat unopened food containers, build up of pressure may cause the container to explode and result in injury.
- ALWAYS let quantities of hot fat used for deep fat frying cool before attempting to move or handle.
- Use Only Dry Potholders - Moist or damp potholders on hot surfaces may result in burns from steam. Do not let potholder touch hot heating elements. Do not use a towel or other bulky cloth.
- Never Leave Surface Units Unattended at High Heat Settings -Boilover causes smoking and greasy spillovers that may ignite.
- Make Sure Reflector Pans or Drip Bowls Are in Place - Absence of these pans or bowls during cooking may subject wiring or components underneath to damage.
- Protective Liners - Do not use aluminum foil to line surface unit drip bowls or oven bottoms, except as suggested in the manual. Improper installation of these liners may result in a risk of electric shock, or fire.
- Glazed Cooking Utensils - Only certain types of glass, glass/ceramic, ceramic, earthenware, or other glazed utensils are suitable for rangetop service without breaking due to the sudden change in temperature.
- Utensil Handles Should Be Turned Inward and Not Extend Over Adjacent Surface Units - To reduce the risk of burns, ignition of flammable materials, and spillage due to unintentional contact with the utensil, the handle of a utensil should be positioned so that it is turned inward, and does not extend over adjacent surface units.
- Do Not Cook on Broken Cook-Top - If cooktop should break, cleaning solutions and spillovers may penetrate the broken cook-top and create a risk of electric shock. Contact a qualified technician immediately.
- Do not place metallic objects such as knives, forks, spoons and lids on the cooktop surface since they can get hot.

- DO NOT TOUCH SURFACE UNITS OR AREAS NEAR UNITS - Surface units may be hot even though they are dark in color. Areas near surface units may become hot enough to cause burns. During and after use, do not touch, or let clothing or other flammable materials contact surface units or areas near units until they have had sufficient time to cool. Among these areas are (identification of areas - for example, the cook-top and surfaces facing the cooktop).

Do not connect any appliances to the plugs above or near to the induction cooktop; connection cable insulation can melt if in contact with heat, and this may result in an injury and a property damage.

RECOMMENDED UTENSILS

- Use pans with flat bottoms and handles that are easily grasped and stay cool. Avoid using unstable, warped, easily tipped or loose-handled pans. Also avoid using pans, especially small pans, with heavy handles as they could be unstable and easily tip. Pans that are heavy to move when filled with food may also be hazardous.
- NEVER let a pan boil dry as this could damage the utensil and the appliance.
- Follow the manufacturer's directions when using oven cooking bags.
- Only certain types of glass, glass/ceramic, ceramic or glazed utensils are suitable for rangetop surface or oven usage without breaking due to the sudden change in temperature. Follow manufacturer's instructions when using glass.
- Bakeware, such as large casserole pans, cookie sheets, etc. should never be used on the rangetop.
- Placement of large stock pots should be staggered when used on the rangetop.
- Use Proper Pan Size - This appliance is equipped with one or more surface units of different size. Select utensils having fl at bottoms large enough to cover the surface unit heating element. The use of undersized utensils will expose a portion of the heating element to direct contact and may result in ignition of clothing. Proper relationship of utensil to burner will also improve efficiency.

WARNINGS

CLEANING SAFETY

- Turn off all controls and wait for appliance parts to cool before touching or cleaning them. DO NOT touch the induction areas until they have had sufficient time to cool.
- Clean the range with caution. Avoid steam burns; DO NOT use a wet sponge or cloth to clean the range while it is hot. Some cleaners produce noxious fumes if applied to a hot surface. Follow directions provided by the cleaner manufacturer.
- Clean Cook-Top With Caution - If a wet sponge or cloth is used to wipe spills on a hot cooking area, be careful to avoid steam burn. Some cleaners can produce noxious fumes if applied to a hot surface.



WARNING

Never use this appliance as a space heater to heat or warm the room. Doing so may result in carbon monoxide poisoning and overheating of the oven.

ROOM VENTILATION

An exhaust fan may be used with the appliance; in each case it shall be installed in conformity with the appropriate national and local standards.

Exhaust hood operation may affect other vented appliances; in each case it shall be installed in conformity with the appropriate national and local standards.

ELECTRICAL SHOCK HAZARD

Make sure all controls are OFF and oven is COOL before cleaning. Failure to do so can result in burns or electrical shock.



WARNING

Cancer and Reproductive Harm — www.P65Warnings.ca.gov.

WORKTOP AND KNOBS LAYOUT

HEATING ELEMENT

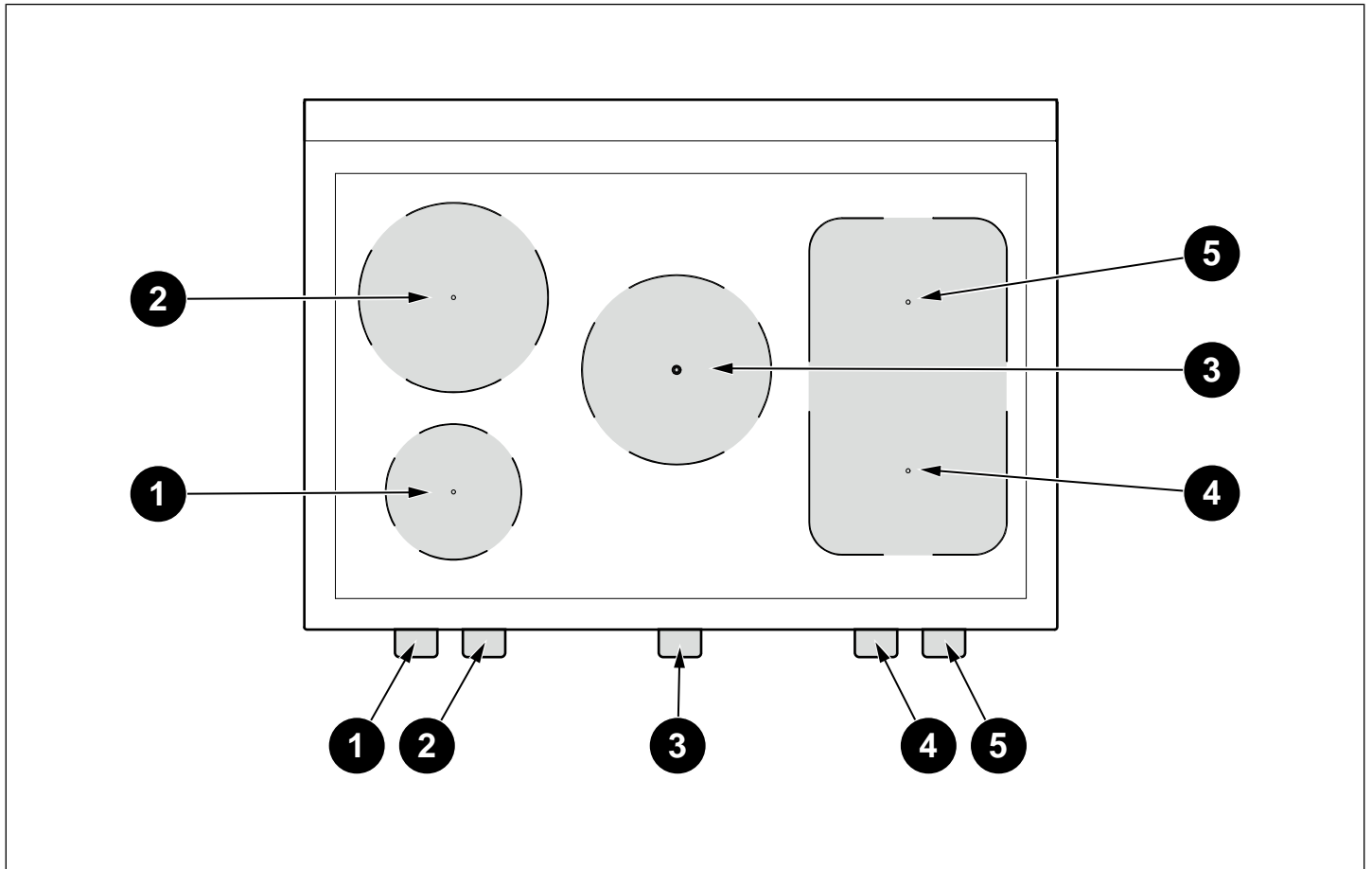


Fig. 9

HEATING ELEMENT

1	Left front induction element
2	Left rear induction element
3	Central induction element
4	Right front induction element
5	Right rear induction element

INDUCTION COOKTOP

COOKING WITH INDUCTION

Underneath each cooking zone there is a coil called an inductor. The inductor generates a variable magnetic field using electric power. When a pan is placed inside this magnetic field, the high frequency current radiates directly on the bottom of the pan and produce the heat needed to cook.

After use the display can show the symbol **H** if there is residual heat. The symbol **H** go out when the temperature drops to below about 140°F/60°C.

TURNING ON THE INDUCTION ELEMENT

The symbol above each knob indicates which element that knob controls.

The operation power is regulated through the knob and is shown by a display on the cooktop surface.

To turn on the heating zone, press in the control knob (Fig. 10) and turn it clockwise. Settings range from a minimum of 1 to a maximum of 9.

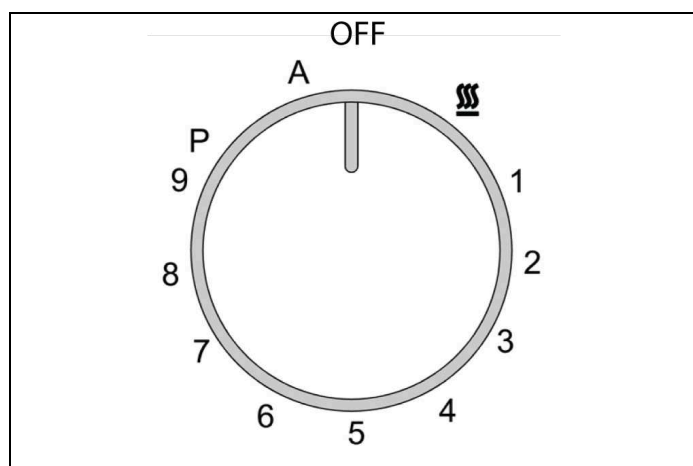


Fig. 10

USING SPECIAL FUNCTIONS

HEATING ACCELERATOR MODE

The Heating Accelerator mode allows each zone to be operated at peak power for a time proportional to the heating power selected.

- Turn the knob anti-clockwise, select setting "A" and then release. The letter **A** will appear on the display on the cooktop area
- After 3 seconds, you may select the heating setting of your choice. Once a setting between 1 and 9 has been selected, **A** and the chosen setting will flashing sequence on the display.

While the heating accelerator is in operation, the heating level can be increased at any time. The "full power" time will be modified accordingly. If the power is reduced by turning the knob anticlockwise, option "A" is automatically deactivated.

POWER MODE

The power mode allows the user to operate each heating zone continuously at the maximum power for a time of no more than 10 minutes. This mode can be used to bring a large amount of water to the boil in a hurry, or to turn up the heat under meat.

- Turn the knob clockwise and set heating level to 9, then use the knob to set the "P" position and release it.
- The symbol **P** will appear on the corresponding zone display.
- After 10 minutes, the power will be reduced automatically to 9 and the **P** will disappear.

The power mode can be turned off at any time by reducing the heating level. If a pan is removed from the cooking zone while the power function is on, the function is switched off.

HOLDING MODE

The holding mode keeps the temperature of the bottoms of pans at about 160°F/70°C. This allows foods to be heated gently and kept hot with optimal energy consumption. Holding mode can be kept in operation for up to 2 hours.

The holding mode is **W** and is indicated by the relevant symbol on the cooking zones.

INDUCTION COOKTOP

BRIDGE MODE

The bridge mode allows to use the 2 right-side cooking zones as a single cooking zone. Power Mode is not allowed when the zones are operated in Bridge mode.

- Rotate both knobs, rear right and front right, at the same time in the “P” position and keep the knobs in that position.
- The \square symbol will blink in the display, then return to the power level.
- To control the bridge power level, use the knob 4 (front right zone). If you turn knob 3 (rear right zone) the display shows a horizontal segment and the bridge function ends.

CHILD LOCK FUNCTION

When not in use, the cooktop area can be “locked out” to prevent children from accidentally switching it on.

With the cooking zones off, turn the knobs of zones 1 and 2 to the left simultaneously until \perp appears on the power display and then release the knobs.

To deactivate it, repeat the same procedure: the cooking zone displays will stop displaying the \perp , indicating that the cooking zone LOCK has been deactivated.

PAN DETECTION

Each cooking zone is equipped with a “pan detection” device, which ensures that cooking cannot start unless a suitable pan is present on the cooking zone and properly positioned.

If the user attempts to switch on the cooking zone with the pan not positioned properly or with a pan which is not of suitable material, the \sqcup symbol will appear a few seconds after the zone is switched on to warn the user that an error has been made.

RESIDUAL HEAT

Each cooking zone is equipped with a device which warns of residual heat. After any cooking zone is switched off, a flashing $\#$ may appear on the display, warning that the cooking zone is still very hot.

Cooking can be restarted while the $\#$ is flashing.

SUITABLE INDUCTION COOKWARE

Induction technology requires iron or magnetic steel cookware in order to generate the magnetic field necessary for the heating process.

Cookware made of glass, porcelain, ceramic or aluminum will not work on an induction cooktop. Pots made of glass, porcelain, ceramic are not suitable. Pots made with steel, aluminium or copper without magnetic bottom will also not work.

Most suitable pans are marked for use with induction. To check whether a pan is suitable, simply place a magnet close to its bottom: if the magnet sticks to the bottom of the pan, the pan is suitable for induction cooking. If you don't have a magnet handy, place a small amount of water in the pan, place the pan on any cooking zone and switch it on. If the symbol \sqcup appears on the display, the pan is not suitable.

Use only vessels specially designed for induction cooking, with thick, completely flat bottom. If these are not available, the pans used must not have a round (concave or convex) bottom.

Pans that are not completely flat and have a recessed bottom leave an air gap between pot and cooktop, which during operation can reach high temperatures that can damage the glass top and the inductors below the glass.

The pans must have certain minimum diameter to ensure optimal operation. Pans larger than the cooking zones can also be used: make sure that the bottom of the pan does not touch other cooking zones and that it is always centered over the inductor.

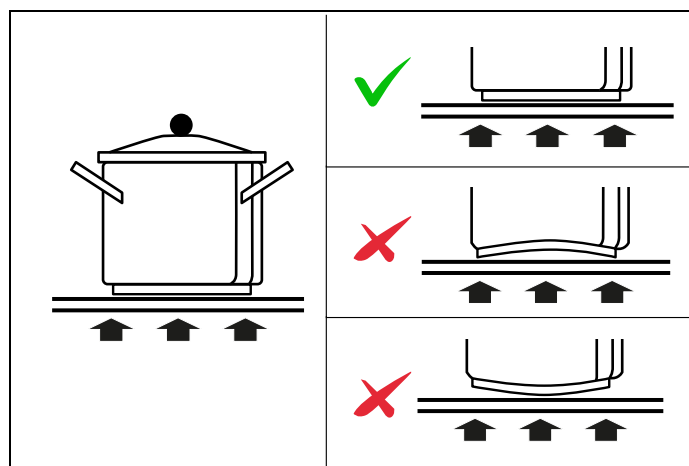


Fig. 11

INDUCTION COOKTOP

NOISE DURING OPERATION

A pulsating humming or buzzing sound during operation is normal, and can vary in intensity with different types of cookware.

It is normal to hear a fan noise after switching the induction hob off.

INDUCTION DIMENSION

BURNER	DIAM. (MM) Ø	DIAM. OF PAN	UTILIZATION
Auxiliary	50 mm		Use with smaller pans for boiling and simmering and the preparation of sauces.
Semi-rapid (and Griddle)	70 mm		Use for normal frying and boiling in medium and small pans.
Rapid	95 mm		Use with large and medium pans of water for frying and rapid boiling.
Dual inner/ outer	43/140 mm		Use with woks, griddle's and frying pans or for large pans and rapid boiling.

RECOMMENDATIONS

- Always place your pan in such a way that its center is aligned with the centre of the element.
- Pick-up your cookware when moving them around. Do not slide them and avoid excessive rubbing of the top, as this may leave scratches on the glass surface.
- Never leave an empty pot/pan on an induction heating element, even when the element is turned OFF.
- Only use maximum power for boiling and frying.
- Avoid preheating your non-stick pans (e. g. with teflon coating) at maximum heat.
- Avoid storing solids and heavy items in the cabinets above your cooktop. They may accidentally be dropped and damage the glass top.
- **Place extra care to avoid spilling sugar or sweet mixtures onto the cooktop area during cooking, and avoid materials or substances which might melt (plastic or aluminium foil) on it. If this occurs, turn the heating off immediately and clean with the scraper supplied while the cooking zone is still warm. If the ceramic cooktop area is not cleaned immediately, residues may form which may not be removed once the cooktop area has cooled.**

KEEPING YOUR BERTAZZONI CLEAN

BURN HAZARD

Make sure the heating elements are turned off and allowed to cool completely before any cleaning and/or maintenance operation.

THINGS TO AVOID

- Do not use a steam cleaner to clean the range: the steam could reach electrical components and cause a short.
- Do not spray liquids such as cleaning agents into the openings on the bottom and top of the oven cavity.
- All surfaces can discolor or be damaged if unsuitable cleaning agents are used.

CLEANING STAINLESS STEEL

All stainless steel parts should be wiped with hot water and soap solution at the end of each cycle. Wipe up spills and boilovers immediately. Use suitable, non-abrasive stainless cleaning products when water and soap solution will not do the job. *DO NOT use steel wool, abrasive cloths, cleansers, or powders.* If necessary, scrape stainless steel to remove encrusted materials, soak the area with hot towels to soften the residue, then use a wooden or nylon spatula or scraper. *DO NOT use a metal knife, spatula, or any other metal tool to scrape stainless steel.* DO NOT permit citrus or tomato juice to remain on stainless steel surface, as citric acid will permanently discolor stainless steel.

CLEANING PAINTED SURFACES

Clean with a soft cloth, warm water and non-abrasive dishwashing liquid. Whilst still damp, polish dry with a clean soft cloth.

CLEANING THE INDUCTION COOKTOP

Allow the glass to cool down until the residual heat indicator is off before cleaning. Never use scouring powders or paste, metal scourers, oven cleaners or any abrasive cleaning products on the hotplate. Clean spillovers before using the cooktop again. For light cleaning, wipe with a soft cloth, warm water and dishwashing liquid. For a streak free finish, polish dry with a microfiber cloth. For more stubborn marks and to condition the surface, use a good quality cooktop cleaner/conditioner, following the manufacturer's instructions. For spillages with high sugar content such as jam, or the accidental melting of plastic or alloy materials, turn off the heating zone and remove the spillage immediately.

Use caution because the heating area may be very hot.

TROUBLESHOOTING

Here are answer to common problems you may experience. You are also welcome to call our toll free Customer Service line to troubleshoot any issue with your Bertazzoni.

If located in the USA

866 905 0010

<https://us.bertazzoni.com/more/support>

If located in CANADA

800 561 7265

<https://ca.bertazzoni.com/more/support>

CUSTOMER CARE

For any warranty information and service request, contact us:



In USA: <https://us.bertazzoni.com/more/support>

In CANADA: <https://ca.bertazzoni.com/more/support>

DU BUREAU DE NOTRE PRÉSIDENT

Cher nouveau propriétaire d'un appareil Bertazzoni,

Je tiens à vous remercier d'avoir choisi l'un de nos beaux produits pour votre maison.

Ma famille a commencé à fabriquer des appareils électroménagers en Italie en 1882, bâtissant une réputation de qualité d'ingénierie et de passion pour la bonne cuisine.

Aujourd'hui, nos produits se distinguent par leur mélange unique de design italien authentique et de technologie d'électroménager supérieure. Notre mission est de fabriquer des produits qui fonctionnent parfaitement et qui apportent de la joie à leurs propriétaires.

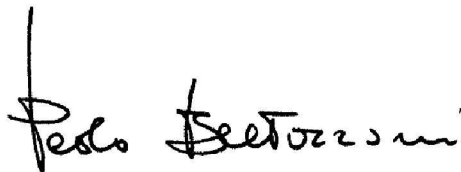
En fabriquant de beaux produits, nous répondons au goût de nos clients pour un joli design. En les rendant polyvalents et faciles à utiliser, cuisiner avec Bertazzoni devient un réel plaisir.

Ce manuel vous aidera à apprendre à utiliser et à entretenir votre appareil Bertazzoni de la manière la plus sûre et la plus efficace, afin qu'il puisse vous donner la plus grande satisfaction pour les années à venir.

Profitez !

Paolo Bertazzoni

Président

A handwritten signature in black ink that reads "Paolo Bertazzoni". The signature is written in a cursive, flowing style with a vertical line at the beginning.

VALIDITÉ DU MANUEL D'UTILISATION

Le manuel suivant est valable pour tous les codes produits mentionnés ci-dessous :

- MAST365IRTXT
- PROF365IRTXT

SOMMAIRE

MANUEL D'INSTALLATION	35
AVERTISSEMENTS	35
ÉTIQUETTE SIGNALÉTIQUE	35
AVANT D'INSTALLER L'APPAREIL	36
VENTILATION DE LA PIÈCE	36
PRÉPARATION DE LA VENTILATION	37
CHOISIR LES MODÈLES DE HOTTE ET DE VENTILATEUR	37
POSITIONNEMENT DE LA HOTTE :	37
AIR D'APPOINT	37
SPÉCIFICATIONS	38
PRÉPARATION DU MEUBLE DE CUISINE	38
BASE SUPPORT MIN	38
ESPACE DE DÉGAGEMENT	39
INSTALLATION ADJACENTE À DES MEUBLES DE CUISINE	39
MEUBLE DE CUISINE	39
CONDITIONS D'INSTALLATION	40
ÉLECTRICITÉ	40
RACCORDEMENT ÉLECTRIQUE	41
MISE À LA TERRE	41
SCHÉMA DE CÂBLAGE	42
INSTALLATION	43
INSTALLATION DE L'APPAREIL	43
INSTALLATION DE LA GARNITURE	44
LISTE DE CONTRÔLE POUR L'INSTALLATION	45
PRÉPARATION FINALE	46
ASSISTANCE BERTAZZONI	47
MANUEL DE L'UTILISATEUR	48
AVERTISSEMENTS	48
POUR PRÉVENIR LES INCENDIES OU LES DOMMAGES LIÉS À LA FUMÉE :	48
EN CAS D'INCENDIE	48
SÉCURITÉ DES ENFANTS	48
SÉCURITÉ EN CUISINE	49
USTENSILES RECOMMANDÉS	50
SÉCURITÉ LORS DU NETTOYAGE	50
VENTILATION DE LA PIÈCE	50
RISQUE DE DÉCHARGE ÉLECTRIQUE	50
SURFACE DE CUISSON ET BOUTONS	51
ÉLÉMENT CHAUFFANT	51
SURFACE DE CUISSON À INDUCTION	52
LA CUISSON À INDUCTION	52
ALLUMAGE DES ÉLÉMENTS À INDUCTION	52
UTILISATION DES FONCTIONS SPÉCIALES	52
RÉCIPIENTS DE CUISSON ADAPTÉS À L'INDUCTION	53
BRUIT PENDANT LE FONCTIONNEMENT	54
DIMENSIONS DE LA ZONE D'INDUCTION	54
RECOMMANDATIONS	54
NETTOYAGE DE VOTRE CUISINIÈRE BERTAZZONI	55
RISQUE DE BRÛLURE	55
ACTIONS À NE PAS FAIRE	55
NETTOYAGE DE L'ACIER INOXYDABLE	55
NETTOYAGE DES SURFACES PEINTES	55
NETTOYAGE DE LA SURFACE DE CUISSON À INDUCTION	55
REMÈDES	56
GARANTIE	57
SERVICE CLIENTÈLE	57

AVERTISSEMENTS

Pour un fonctionnement correct et en toute sécurité, l'appareil doit être correctement installé et mis à la terre par un technicien qualifié. NE PAS tenter de régler, réparer, réviser ou remplacer un composant de l'appareil à moins que le présent manuel ne le recommande spécifiquement. Toute autre intervention doit être réalisée par un opérateur qualifié.

POUR L'INSTALLATEUR : Avant d'installer l'appareil Bertazzoni, veuillez lire attentivement ces instructions. Cet appareil doit être installé conformément aux instructions d'installation du fabricant.



REMARQUE IMPORTANTE

Conservé soigneusement ces instructions pour toute consultation future par l'inspecteur local d'électricité.

NE PAS retirer les étiquettes, les mises en garde ou les plaques permanentes apposées sur le produit. Cela risquerait d'annuler la garantie.

L'installation doit être conforme aux réglementations locales. En l'absence de réglementations :

La plaque N'A PAS été conçue pour être installée dans des maisons préfabriquées (mobiles) ou des caravanes.

NE PAS installer la cuisinière en extérieur.

L'appareil doit être correctement raccordé à la terre. Le raccordement à la terre réduit le risque de décharge électrique en fournissant un passage sécurisé au courant électrique en cas de court-circuit.



MISE EN GARDE

Pour éviter les risques de lésion, de blessure mortelle ou de dommages aux biens, suivre scrupuleusement les informations contenues dans ce manuel visant à prévenir les incendies ou les explosions.



MISE EN GARDE

Si les informations dans ce manuel ne sont pas suivies scrupuleusement, un incendie ou une explosion risque de survenir et d'entraîner des dommages matériels, des blessures corporelles ou la mort.

- Ne pas entreposer ou utiliser de l'essence ou d'autres liquides et vapeurs inflammables à proximité de cet appareil ou de tout autre appareil.



MISE EN GARDE

N'utilisez jamais la section de cuisson de surface supérieure de cet appareil sans surveillance.

- Le non-respect de cet avertissement pourrait entraîner un incendie, une explosion ou un risque de brûlure qui pourrait causer des dommages matériels, blessures corporelles ou la mort.
- En cas d'incendie, éloignez-vous de l'appareil et appelez immédiatement votre service d'incendie.

NE TENTEZ PAS D'EXTORQUER UN FEU D'HUILE/ GRAISSE AVEC DE L'EAU



DANGER

RISQUE DE DÉCHARGE ÉLECTRIQUE !!!

Pour éviter les risques de décharge électrique, de lésion ou de blessure mortelle, vérifier que l'appareil a été correctement mis à la terre, conformément aux réglementations locales ou, en leur absence, à la réglementation américaine en matière d'électricité (NEC). ANSI/NFPA 70 – dernière édition.



MISE EN GARDE

Cancer et troubles de la reproduction — www.P65Warnings.ca.gov.

ÉTIQUETTE SIGNALÉTIQUE

L'étiquette signalétique indique le modèle et le numéro de série de la cuisinière. Elle se trouve sous le panneau de commande et à la dernière page de ce manuel.

NE PAS retirer les étiquettes, les mises en garde ou les plaques permanentes apposées sur le produit. Cela risquerait d'annuler la garantie.

AVANT D'INSTALLER L'APPAREIL

- L'appareil doit être installé uniquement par un professionnel autorisé.
- Cet appareil doit être installé conformément aux instructions d'installation du fabricant.
- L'appareil doit être installé conformément aux normes et aux réglementations du pays d'installation.
- Une fois installé, l'appareil doit être raccordé à la terre conformément aux réglementations locales ou, en leur absence, à la réglementation américaine en matière d'électricité (NEC), ANSI/NFPA 70.

VENTILATION DE LA PIÈCE

Il convient d'associer un ventilateur extracteur à l'appareil. Celui-ci doit être installé conformément aux normes locales et nationales en vigueur. Le fonctionnement d'une hotte aspirante peut avoir une incidence sur d'autres appareils de ventilation. Elle doit être installée conformément aux normes locales et nationales en vigueur.

Ne pas utiliser de sprays aérosols à proximité de l'appareil en fonctionnement.

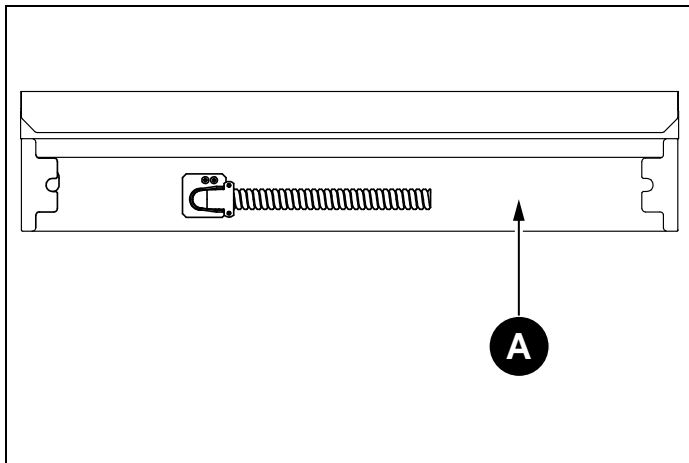


Fig. 1

A Emplacement des étiquettes de classification des données

PRÉPARATION DE LA VENTILATION

Cette plaque de cuisson fonctionnera mieux lorsqu'elle sera installée avec les hottes d'extraction Bertazzoni. Ces hottes, conçues pour être associées à la gamme Bertazzoni, offrent un aspect impeccable grâce à leur finition identique.

Avant d'installer la hotte d'extraction, consulter les réglementations locales ou régionales en matière de construction et d'installation pour connaître les critères spécifiques aux espaces de dégagement. Pour plus d'informations, se reporter aux instructions d'installation de la plaque de cuisson fournies par le fabricant.

CHOISIR LES MODÈLES DE HOTTE ET DE VENTILATEUR

- En cas d'installation murale, la hotte doit présenter une largeur au moins égale à celle de la cuisinière. Lorsque l'espace le permet, il peut être souhaitable d'installer une hotte plus large que la cuisinière, pour une meilleure ventilation.
- En cas d'installations autonomes, la largeur de la hotte doit dépasser celle de la cuisinière d'au moins 3" (76 mm) de chaque côté.

POSITIONNEMENT DE LA HOTTE :

- Pour une meilleure extraction des fumées et des odeurs, le bord inférieur de la hotte doit se trouver entre 25 1/2" (65 cm) et 31 1/2" (80 cm) au-dessus de la surface de cuisson de la cuisinière.
- Si la hotte contient des matériaux combustibles (par ex. parement en bois), elle doit être installée à au moins 36" (914 mm) au-dessus de la surface de cuisson.

AIR D'APPOINT

En présence d'un volume élevé d'air de ventilation, il est recommandé de disposer d'une source d'air de remplacement extérieur. Cela est particulièrement important pour les habitations fermées hermétiquement et fortement isolées. Consulter une entreprise de chauffage et de ventilation qualifiée.

SPÉCIFICATIONS

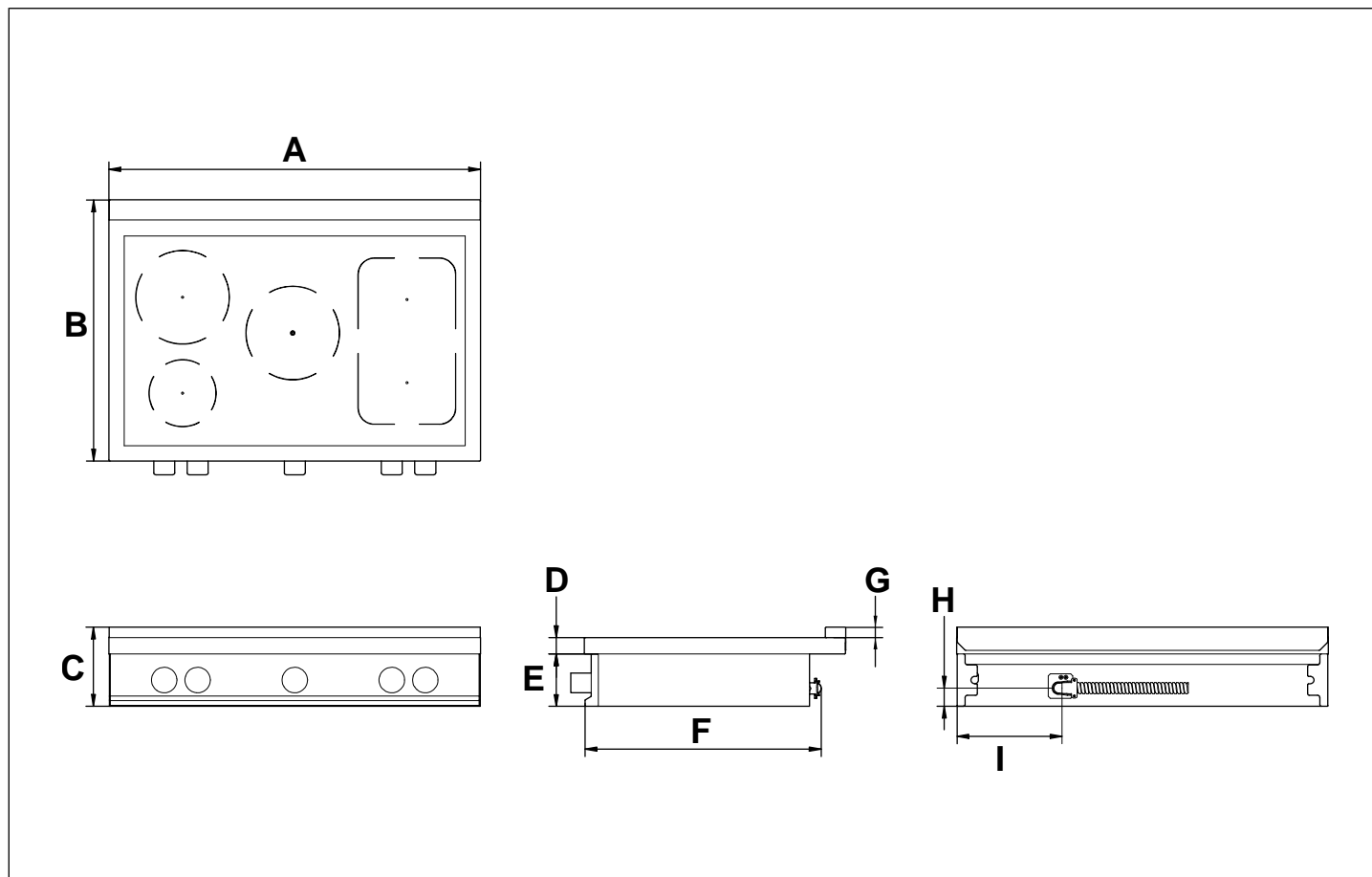


Fig. 2

- **A** 35 3/4"
- **B** 25 1/4"
- **C** 7 5/8"
- **E** 5"
- **F** 22 3/4"
- **G** 1"
- **H** 1 3/4"
- **I** 10 1/8"

PRÉPARATION DU MEUBLE DE CUISINE

- 1) Pour assurer des résultats professionnels, les ouvertures d'armoire et de comptoir devraient être préparées par un technicien qualifié d'armoire.
- 2) Les autorisations indiquées dans la figure sont nécessaires.
- 3) L'alimentation en électricité doit être située dans une zone accessible sans nécessiter l'enlèvement de la plaque de cuisson. Le cordon d'alimentation électrique de l'appareil et le raccordement du tuyau de gaz sont situés à l'arrière gauche.
 - Préparer l'ouverture finie pour la plaque de cuisson en fonction des dimensions indiquées dans l'illustration de la page suivante.
 - La plate-forme doit inclure un découpage à l'arrière droit pour les connexions d'alimentation électrique. Il doit être de niveau pour s'assurer que la surface de cuisson est de niveau. Consultez le chapitre suivant pour obtenir un soutien de base minimum.

BASE SUPPORT MIN

table de cuisson 36" 250 lb (113 kg)



MISE EN GARDE

Pour éviter d'éventuels dommages aux armoires et aux finitions des armoires, n'utilisez que des matériaux et finitions qui ne décoloreront pas ou ne décolleront pas et résisteront à des températures allant jusqu'à 230° F (110° C). L'adhésif résistant à la chaleur doit être utilisé si le produit doit être installé dans l'armoire. Vérifiez auprès de votre constructeur ou fournisseur d'armoires pour vous assurer que les matériaux répondent à ces exigences.

ESPACE DE DÉGAGEMENT

INSTALLATION ADJACENTE À DES MEUBLES DE CUISINE

Cette cuisinière peut être installée à proximité directe de plans de travail avec meubles intégrés (36" ou 91,5 cm par rapport au sol).

Pour un aspect optimal, la surface de la cuisinière doit être au même niveau que celle du plan de travail avec meuble intégré. Pour ce faire, régler la hauteur de l'appareil en agissant sur les dispositifs de réglage des pieds.

ATTENTION : la plaque de cuisson NE DOIT PAS être installée à proximité directe des murs de la cuisine, de meubles ou d'appareils hauts, ou d'autres surfaces verticales de plus de 36" (91,4 cm) de hauteur. Dans ces cas, l'espace latéral doit être d'au moins 6 (15,2 cm).

Les meubles muraux présentant cet espace latéral minimum doivent être installés à 18" (45,7 cm) au-dessus du plan de travail, avec une hauteur de plan de travail comprise entre 35 1/2" (90,2 cm) et 37 1/4" (94,6 cm). La profondeur maximale des meubles muraux au-dessus de la plaque de cuisson doit être de 13" (33 cm).

MEUBLE DE CUISINE

A	36"(91,5 cm) ou 48"(122 cm)
B	30" (76,3 cm) hotte avec matériaux combustibles
B	25" 1/2 (65 cm) hotte avec matériaux incombustibles
C	13" (33 cm)
D	18" (45,7 cm)
E	6" 5/8 (16,8 cm)
F	6" (15,2 cm)
G	min 3" 7/16 max 5" 3/16 (min 8,7 cm max 13 cm)
L	25" 3/16 (8 cm)

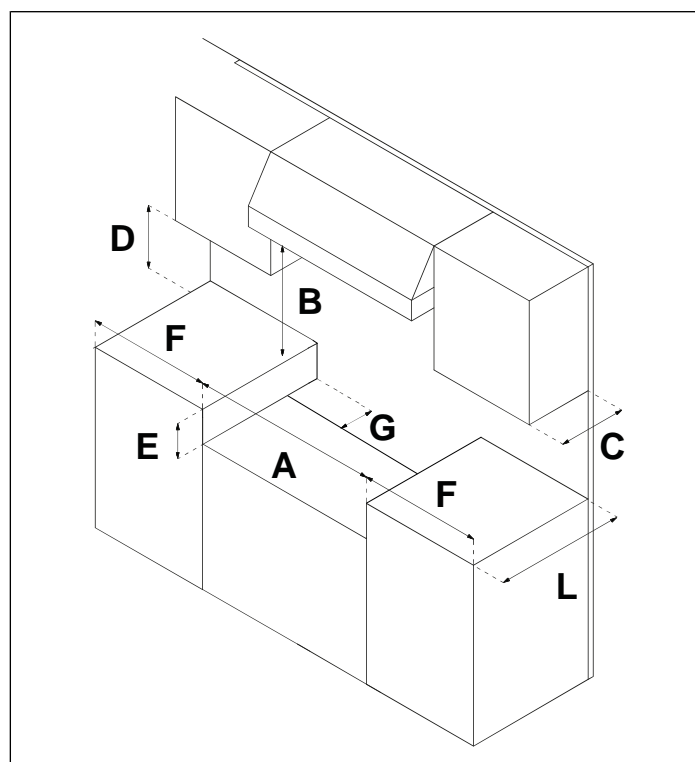


Fig. 3

CONDITIONS D'INSTALLATION

 zone réservée au branchement

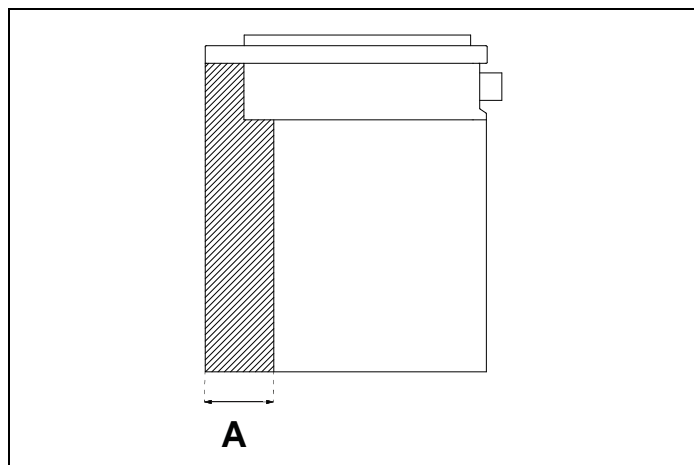


Fig. 4

A min 3" 7/16 max 3" 3/16

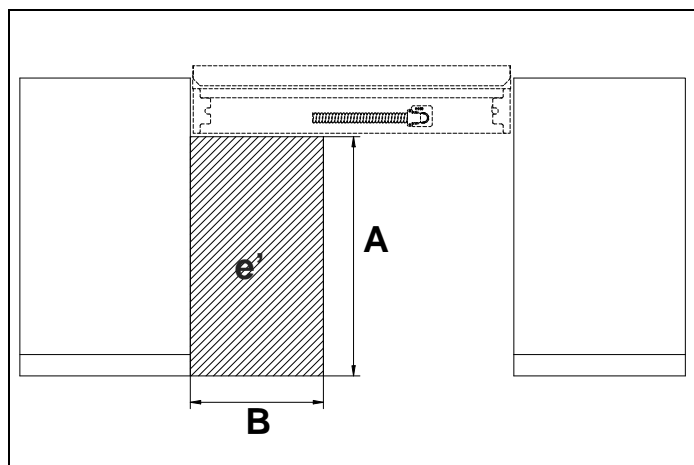


Fig. 5

- A 27"
- B 15"
- e' Électrique

ÉLECTRICITÉ

Une prise électrique montée horizontalement et correctement mise à la terre doit être installée à une hauteur maximale de 27" (68,6 cm) et minimale de 2" (5 cm) par rapport au sol, et à une distance maximale de 15" (38,1 cm) par rapport au côté gauche du produit (en lui faisant face).

Vérifier les dispositions des réglementations locales.

RACCORDEMENT ÉLECTRIQUE



MISE EN GARDE

RISQUE DE DÉCHARGE ÉLECTRIQUE

Couper l'alimentation électrique au niveau du disjoncteur ou du tableau à fusibles avant d'installer l'appareil.

L'appareil doit être correctement mis à la terre. Utiliser uniquement des conducteurs en cuivre. Le non-respect de ces instructions pourrait entraîner de graves blessures, voire la mort.

MISE À LA TERRE

Cet appareil est équipé d'un câble métallique flexible de 4 pi (1,2 m) avec 3 fils prêt à être branché à une alimentation dédiée à 2 pôles et 3 fils mise à la terre.

L'appareil doit être branché à une ligne électrique de 208 VCA ou 240 VCA et de fréquence 60 Hz.

Tension	Classement de l'appareil	Alimentation électrique
208 V	44 A	50 A
240 V	44 A	50 A



MISE EN GARDE

3 raccordements électriques :

- Connectez la borne de prise L1 au câble d'alimentation électrique NOIR entrant (câble chaud L1) - Connectez la borne de prise L2 au câble d'alimentation électrique ROUGE entrant (câble chaud L2)
- Connectez la borne de TERRE du réceptacle au câble d'alimentation électrique entrant de TERRE (VERT).



ATTENTION !

Étiqueter tous les câbles avant de les débrancher pour effectuer des contrôles d'entretien. Des erreurs de câblage peuvent entraîner un fonctionnement incorrect et dangereux. Vérifier le bon fonctionnement de la cuisinière après l'entretien.

SCHÉMA DE CÂBLAGE

Les schémas de câblage électrique figurent à l'arrière de la plaque de cuisson et ne peuvent être retirés que par un technicien de maintenance, qui doit les remettre en place une fois l'entretien réalisé.

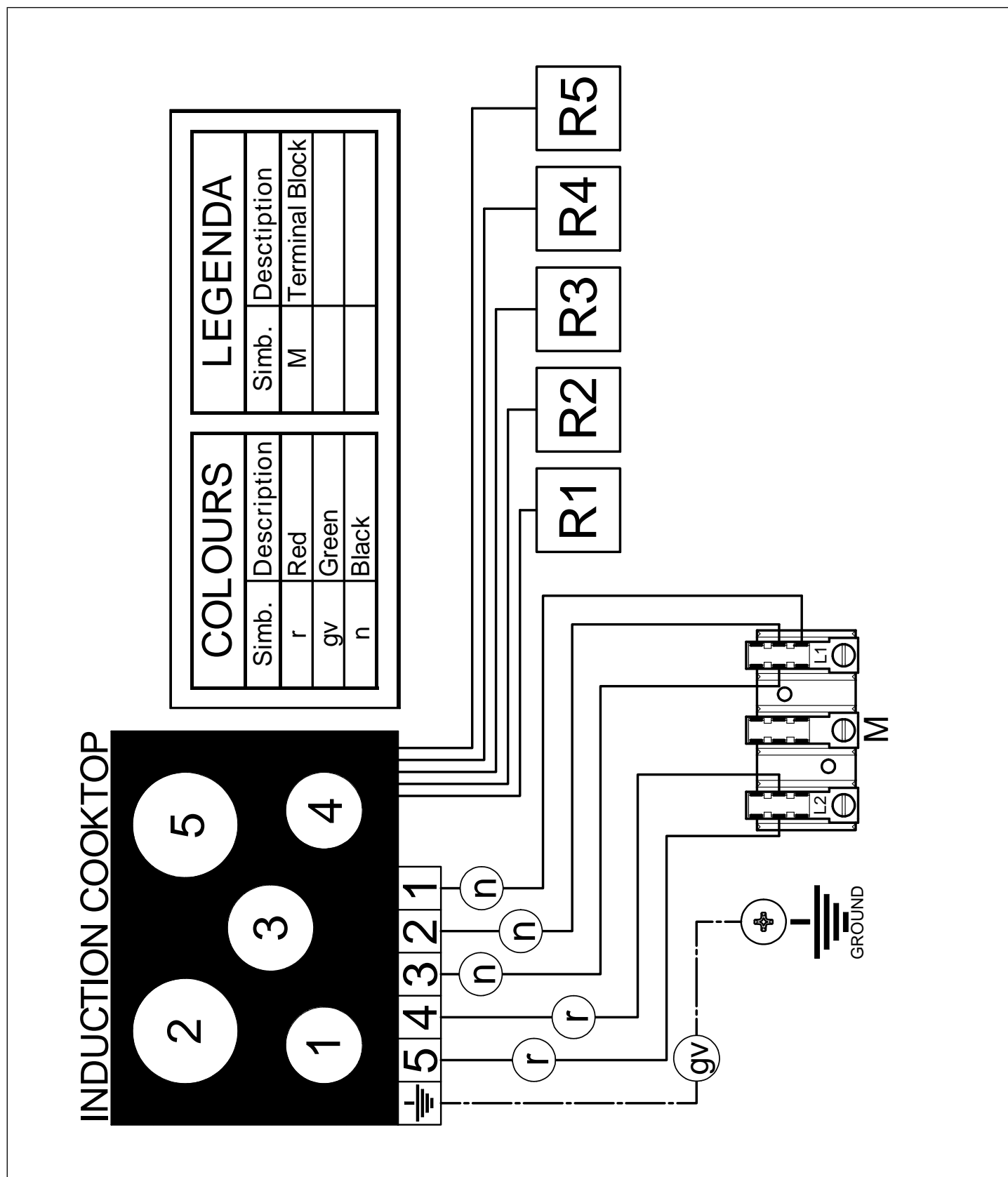


Fig. 6

INSTALLATION

INSTALLATION DE L'APPAREIL

DÉBALLAGE DE LA TABLE DE CUISSON

- Retirer tous les matériaux d'emballage de la palette d'expédition sans toucher à la mousse à endos adhésif sur les surfaces en métal brossé, afin de protéger la cuisinière des rayures jusqu'à son installation à son emplacement final. Ne retirer que le film protégeant les panneaux latéraux avant de positionner la cuisinière entre les meubles de cuisine.
- Examiner la cuisinière après l'avoir déballée. En cas de dommage résultant du transport, ne pas la brancher. Prendre des photos du dommage et en informer immédiatement le transporteur.
- Retirer les grilles, plaques et chapeaux des brûleurs pour faciliter le déplacement de la cuisinière.

INSTALLATION

INSTALLATION DE LA GARNITURE

La garniture est uniquement positionnée sur la surface de cuisson. Retirer tous les rubans et matériaux d'emballage avant son installation.

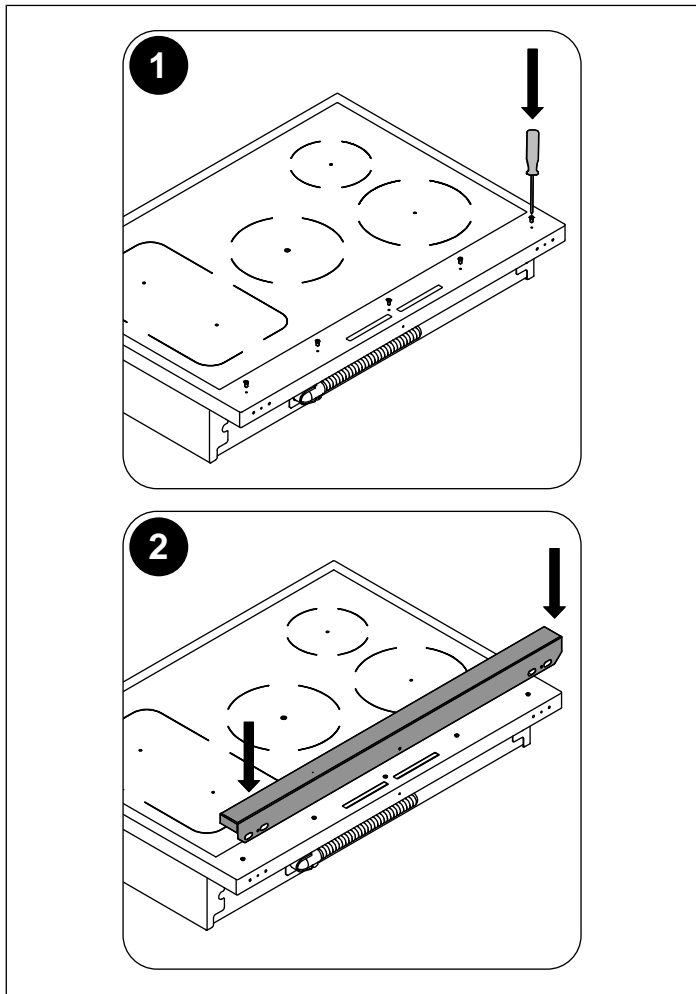


Fig. 7

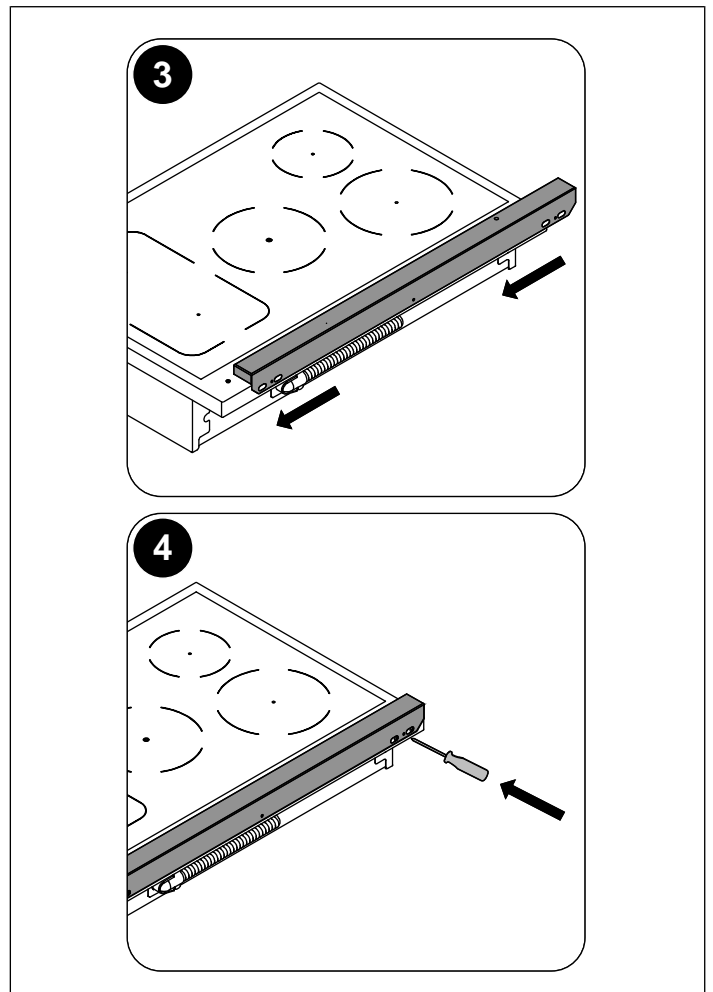


Fig. 8

LISTE DE CONTRÔLE POUR L'INSTALLATION

Un installateur qualifié devra réaliser les contrôles suivants :

- La garniture ou la protection arrière est-elle fixée conformément aux instructions fournies ?
- Le dégagement par rapport aux surfaces des meubles est-il conforme aux consignes du fabricant ?
- Le raccordement à la terre a-t-il été correctement réalisé ?

PRÉPARATION FINALE

- Avant d'utiliser la plaque de cuisson, retirez tout film protecteur éventuellement présent sur les surfaces en acier inoxydable.
- Toutes les parties du corps en acier inoxydable doivent être nettoyées avec de l'eau chaude savonneuse et un détergent liquide adapté à l'acier inoxydable.
- En présence de dépôts, ne pas utiliser de laine d'acier, de linges abrasifs, de produits ou de poudres nettoyants !
- Si l'acier inoxydable doit être gratté pour en retirer les incrustations, mouiller avec un chiffon humide et chaud pour ramollir le dépôt, puis utiliser une raclette en bois ou en nylon.
- Ne pas utiliser de couteau, de spatule ou tout autre ustensile en métal pour gratter l'acier inoxydable ! Les rayures sont très difficiles à éliminer.

ASSISTANCE BERTAZZONI

Bertazzoni s'engage à fournir le meilleur service clients et la meilleure assistance produits possibles. Notre équipe de professionnels dévoués et formés répondra à vos besoins.

Si vous disposez d'un appareil Bertazzoni et souhaitez bénéficier d'une assistance aux États-Unis ou au Canada, utilisez les coordonnées suivantes :

En cas d'installation aux États-Unis :

866 905 0010

<https://us.bertazzoni.com/more/support>

En cas d'installation au CANADA :

800 561 7265

<https://ca.bertazzoni.com/more/support>

Conserver les informations suivantes à portée de main. Notre équipe de service client demandera d'ouvrir un ticket de service ou de dépanner.

- Date d'Achat
- Modèle*
- Numéro de Série/Date de Fabrication*
- *Voir plaque signalétique

AVERTISSEMENTS

Les avertissements et les consignes de sécurité contenus dans ce manuel ne couvrent pas toutes les situations et conditions susceptibles de survenir. Procéder avec bon sens et attention et avec le plus grand soin lors de l'installation, de l'entretien ou de l'utilisation de l'appareil.

Les instructions doivent avoir été lues et comprises avant toute utilisation de l'appareil, afin d'éviter les risques potentiels d'incendie, de décharge électrique, de blessures ou de dommages à l'appareil résultant d'une utilisation inappropriée. L'appareil doit uniquement être utilisé aux fins prévues et décrites dans ce manuel.

Ranger soigneusement ce manuel pour toute consultation future par l'inspecteur électrique local. Après avoir lu ces instructions, les ranger soigneusement en vue d'une future consultation. Respecter les réglementations, normes et lois en vigueur.



MISE EN GARDE

Si les informations dans ce manuel ne sont pas suivies scrupuleusement, un incendie ou une explosion risque de survenir et d'entraîner des dommages matériels, des blessures corporelles ou la mort.

- Ne pas entreposer ou utiliser de l'essence ou d'autres liquides et vapeurs inflammables à proximité de cet appareil ou de tout autre appareil.
- L'installation et l'entretien doivent être réalisés par un installateur qualifié, une agence spécialisée ou un fournisseur de gaz.

Une vanne manuelle de gaz à poignée de type « T » doit être installée sur la conduite d'alimentation en gaz de l'appareil. Pour un fonctionnement correct et en toute sécurité : l'appareil doit être correctement installé et mis à la terre par un technicien qualifié. NE PAS tenter de régler, réparer, réviser ou remplacer un composant de l'appareil à moins que le présent manuel ne le recommande spécifiquement. Toute autre intervention doit être réalisée par un opérateur qualifié.

POUR PRÉVENIR LES INCENDIES OU LES DOMMAGES LIÉS À LA FUMÉE :

- S'assurer que tous les matériaux d'emballage ont été retirés de la cuisinière avant son utilisation.
- Ne jamais laisser de vêtements, de maniques ou d'autres matériaux inflammables entrer en contact avec un élément, brûleur de surface ou grille de brûleur, tant qu'il n'a pas refroidi, ou à proximité immédiate de ce type d'élément.
- Si la cuisinière est installée près d'une fenêtre, prendre les précautions adaptées pour empêcher les rideaux de passer au-dessus des brûleurs.
- Ne jamais laisser d'objets sur la surface de cuisson. L'air chaud sortant de l'orifice de ventilation peut enflammer des objets inflammables ou augmenter la pression dans des conteneurs fermés et les faire exploser.
- Un grand nombre de bombes aérosol sont hautement inflammables et peuvent EXPLOSER en cas d'exposition à la chaleur. Éviter de les entreposer ou de les utiliser près de la cuisinière.
- Les matériaux inflammables ne doivent pas être stockés dans un four ou à proximité d'éléments de surface.

EN CAS D'INCENDIE

Éteindre la cuisinière et la hotte d'extraction pour empêcher la diffusion des flammes. Éteindre les flammes puis rallumer la hotte pour éliminer la fumée et les odeurs.

- Surface de cuisson : Pour étouffer un feu ou des flammes dans une casserole, utiliser un couvercle ou une plaque à pâtisserie.
- Ne JAMAIS se saisir ou déplacer une casserole enflammée.
- Ne pas utiliser d'eau sur les feux de graisse - Étouffer le feu ou la flamme ou utiliser un extincteur à poudre chimique ou à mousse.

SÉCURITÉ DES ENFANTS

- Ne JAMAIS laisser d'enfants seuls ou sans surveillance près de la cuisinière lorsque celle-ci est en fonctionnement ou encore chaude.
- Ne JAMAIS laisser d'enfants s'asseoir ou marcher sur des éléments de la cuisinière, car ils pourraient être blessés ou brûlés.



ATTENTION !

Ne pas placer d'objets susceptibles d'intéresser les enfants au-dessus ou sur le dossier de la cuisinière. Ils pourraient être gravement blessés en tentant de grimper pour atteindre ces objets.

SÉCURITÉ EN CUISINE

- S'assurer que la cuisine est correctement ventilée. Veiller à ce que les orifices de ventilation naturels restent ouverts ou installer une ventilation mécanique. L'utilisation prolongée ou intensive de la cuisinière peut nécessiter une ventilation supplémentaire (par ex. l'ouverture d'une fenêtre) ou plus efficace (par ex. une ventilation mécanique de capacité supérieure).
 - Pour éliminer tout risque lié aux brûleurs de surface chauds, ne pas positionner de placards directement au-dessus de la cuisinière. La température pourrait se révéler dangereuse pour certains éléments, par exemple des liquides volatils, des produits nettoyants ou des bombes aérosols.
 - TOUJOURS placer un récipient de cuisson sur un brûleur de surface avant de l'allumer. S'assurer de savoir à quel bouton correspond chaque brûleur de surface.
 - Ne JAMAIS laisser une opération de cuisson en surface sans surveillance, notamment en cas de cuisson à haute température ou de friture. Les températures excessives génèrent des fumées et des projections graisseuses peuvent s'enflammer. Nettoyer les projections de graisse dès que possible. NE PAS cuire à haute température pendant de longs moments.
 - NE PAS faire chauffer de conteneurs alimentaires fermés. L'accumulation de pression peut faire exploser le conteneur et engendrer des blessures.
 - TOUJOURS laisser refroidir les substances graisseuses utilisées pour la friture avant de les déplacer ou de les manipuler.
 - Utiliser uniquement des maniques sèches – Des maniques humides ou humides sur des surfaces chaudes peuvent provoquer des brûlures dues à la vapeur. Ne pas laisser la manique toucher les éléments chauffants chauds. Ne pas utiliser de serviette ou tout autre linge épais.
 - Ne jamais laisser les éléments de surface sans surveillance à des températures élevées - Le débordement provoque des déversements de fumée et de graisse qui peuvent s'enflammer.
 - S'assurer que les casseroles réflectrices ou les bols d'égouttement sont en place - L'absence de ces casseroles ou bols pendant la cuisson peut endommager le câblage ou les composants situés en dessous.
 - Revêtements de protection - Ne pas utiliser de papier aluminium pour recouvrir les bols d'égouttement des éléments de surface ou le fond du four, excepté comme suggéré dans le manuel. Une mauvaise installation de ces revêtements peut entraîner un risque de choc électrique ou d'incendie.
 - Ustensiles de cuisine en émail - Seuls certains types d'ustensiles en verre, en verre/céramique, en céramique, en faïence ou autres ustensiles en émail conviennent pour obtenir des prestations haut de gamme sans risque de rupture due à un choc thermique.
 - Les poignées des ustensiles doivent être tournées vers l'intérieur et ne pas s'étendre sur les éléments de surface adjacents - Pour réduire le risque de brûlures, d'inflammation de matériaux inflammables et de déversement dû à un contact involontaire avec l'ustensile, la poignée d'un ustensile doit être positionnée de manière à ce qu'elle soit tournée vers l'intérieur, et ne s'étend pas sur les éléments de surface adjacents.
 - Ne pas cuisiner sur une surface de cuisson cassée - En cas de rupture de la surface de cuisson, des solutions nettoyantes et des projections peuvent pénétrer dans la zone abîmée et générer un risque de décharge électrique. Contacter sans attendre un technicien qualifié.
 - Ne placez pas d'objets métalliques comme des couteaux, des fourchettes, des cuillers ou des couvercles sur la surface de la plaque étant donné qu'ils risquent de devenir chauds.
 - NE TOUCHEZ PAS LES UNITÉS DE SURFACE OU LES ZONES À PROXIMITÉ DES UNITÉS - Les unités de surface peuvent être chaudes même si elles sont de couleur foncée. Les zones situées à proximité des éléments de surface peuvent devenir suffisamment chaudes pour causer des brûlures. Pendant et après utilisation, ne pas toucher ou ne pas laisser des vêtements ou d'autres matériaux inflammables entrer en contact avec les éléments de surface ou les zones proches des éléments jusqu'à ce qu'ils aient eu suffisamment de temps pour refroidir. Parmi ces zones figurent (l'identification des zones - par exemple, la plaque de cuisson et les surfaces faisant face à la plaque de cuisson).
- Ne pas brancher d'appareils aux prises situées au-dessus ou à proximité de la surface de cuisson à induction. L'isolation du cordon d'alimentation pourrait fondre en cas de contact avec la chaleur et entraîner des blessures et des dommages matériels.

AVERTISSEMENTS

USTENSILES RECOMMANDÉS

- Utiliser des récipients de cuisson à fond plat, dotés de poignées faciles à manipuler et non conductrices de chaleur. Éviter d'utiliser des récipients de cuisson instables, gauchis, avec des poignées desserrées ou se renversant facilement. Éviter également d'utiliser des récipients de cuisson, notamment de petite taille, avec des poignées lourdes, car ils pourraient être instables et se renverser facilement. Les récipients de cuisson sont très lourds une fois remplis et peuvent être dangereux.
- Ne JAMAIS laisser un récipient de cuisson chauffer à sec ; cela pourrait abîmer l'ustensile et la cuisinière.
- Suivre les consignes du fabricant en cas d'utilisation de sacs de cuisson.
- Seuls certains types d'ustensiles en verre, vitrocéramique, céramique ou matériau émaillé sont adaptés à une utilisation sur les brûleurs de surface ou dans le four, sans risque de rupture due à un choc thermique. Suivre les instructions du fabricant en cas d'utilisation de verre.
- Les ustensiles de cuisson, comme les grandes casseroles, les plaques à biscuits, etc., ne doivent jamais être utilisés sur la plaque de cuisson.
- Le placement des grands pots de bouillon doit être décalé lorsqu'il est utilisé sur le plan de la plaque de cuisson.
- Utiliser une casserole de taille appropriée - Cet appareil est équipé d'un ou de plusieurs éléments de surface de différentes tailles. Sélectionner des ustensiles ayant un fond plat suffisamment grand pour recouvrir l'élément chauffant de l'unité de surface. L'utilisation d'ustensiles trop petits exposera une partie de l'élément chauffant à un contact direct et pourrait provoquer l'inflammation des vêtements. Une bonne relation entre l'ustensile et le brûleur améliorera également l'efficacité.

SÉCURITÉ LORS DU NETTOYAGE

- Éteindre l'appareil et attendre que toutes ses parties aient refroidi avant de les toucher ou de les nettoyer. NE PAS toucher les zones à induction avant qu'elles n'aient suffisamment refroidi.
- Nettoyer la cuisinière avec prudence. Pour éviter les brûlures dues à la vapeur, NE PAS utiliser d'éponge ou de linge humide pour nettoyer la cuisinière tant qu'elle est chaude. Certains produits nettoyants génèrent des fumées nocives en cas de contact avec une surface chaude. Suivre les consignes données par le fabricant du produit nettoyant.
- Nettoyer la table de cuisson avec prudence - Si une éponge ou un chiffon humide est utilisé pour essuyer les déversements sur une zone de cuisson chaude, veillez à éviter les brûlures de vapeur. Certains nettoyants peuvent produire des fumées nocives s'ils sont appliqués sur une surface chaude.



MISE EN GARDE

Ne JAMAIS se servir de la cuisinière comme appareil de chauffage. Cela peut entraîner une intoxication au monoxyde de carbone et une surchauffe du four.

VENTILATION DE LA PIÈCE

Il convient d'associer un ventilateur extracteur à l'appareil. Celui-ci doit être installé conformément aux normes locales et nationales en vigueur.

Le fonctionnement d'une hotte aspirante peut avoir une incidence sur d'autres appareils de ventilation. Elle doit être installée conformément aux normes locales et nationales en vigueur.

RISQUE DE DÉCHARGE ÉLECTRIQUE

S'assurer que tous les boutons de réglage sont sur « OFF » et que le four est FROID avant le nettoyage. Le non-respect de cette consigne peut entraîner des brûlures ou une décharge électrique.



MISE EN GARDE

Cancer et troubles de la reproduction —
www.P65Warnings.ca.gov.

SURFACE DE CUISSON ET BOUTONS

ÉLÉMENT CHAUFFANT

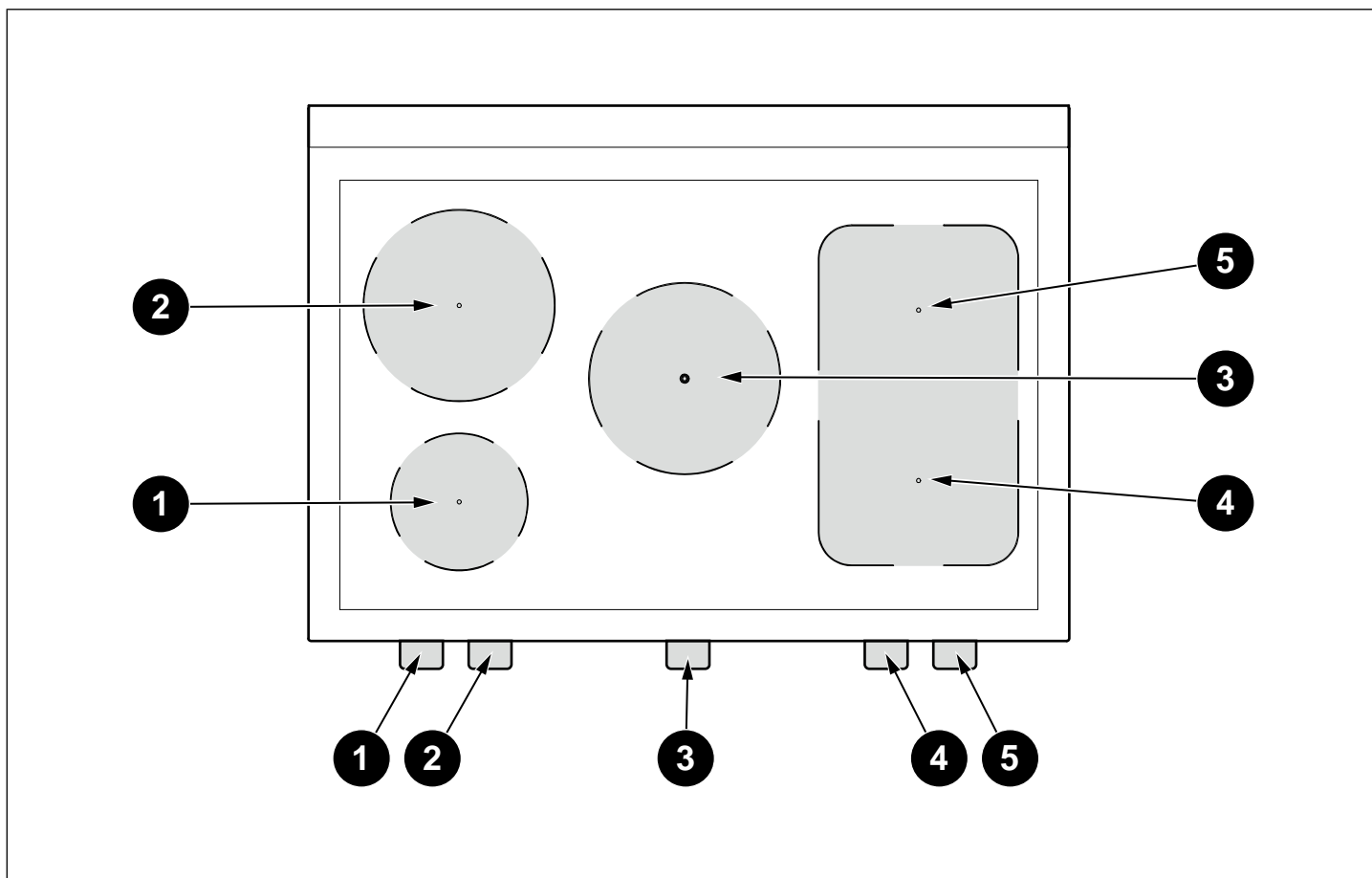


Fig. 9

ÉLÉMENT CHAUFFANT

- | | |
|---|------------------------------------|
| 1 | Élément à induction avant gauche |
| 2 | Élément à induction arrière gauche |
| 3 | Élément à induction central |
| 4 | Élément à induction avant droit |
| 5 | Élément à induction arrière droit |

SURFACE DE CUISSON À INDUCTION

LA CUISSON À INDUCTION

Sous chaque zone de cuisson se trouve une bobine, appelée inducteur. L'inducteur génère un champ magnétique variable qui utilise de l'électricité. Lorsqu'un récipient de cuisson est placé à l'intérieur de ce champ magnétique, le courant à haute fréquence rayonne directement sur le fond du récipient et génère la chaleur nécessaire à la cuisson.

Après l'utilisation, l'affichage peut indiquer la lettre « H » en présence de chaleur résiduelle. La lettre « H » disparaît lorsque la température descend en dessous de 140°F/60°C.

ALLUMAGE DES ÉLÉMENTS À INDUCTION

Le symbole au-dessus de chaque bouton indique l'élément qu'il contrôle.

La puissance est réglée à l'aide du bouton et indiquée sur l'affichage de la surface de cuisson.

Pour allumer une zone de cuisson, appuyer sur le bouton de réglage (Fig. 10) correspondant et le tourner dans le sens horaire. La puissance va d'une valeur minimum de 1 à une valeur maximum de 9.

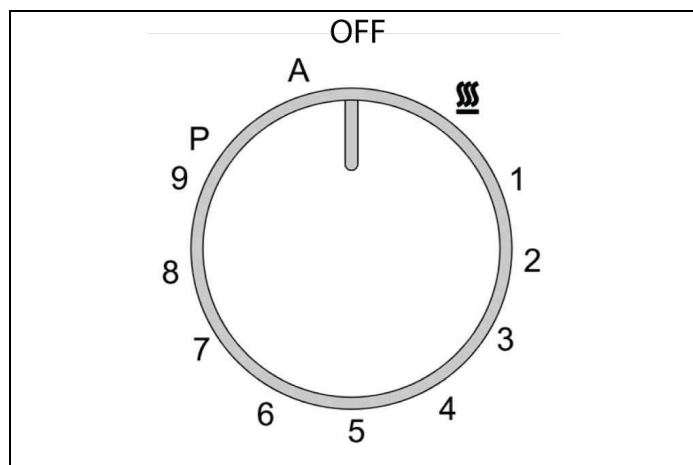


Fig. 10

UTILISATION DES FONCTIONS SPÉCIALES

MODE ACCÉLÉRATEUR DE CHAUFFAGE

L'accélérateur de chauffe permet à chaque zone d'être chauffée à une puissance maximale pendant une durée proportionnelle à la valeur de chauffe choisie.

- Tourner le bouton dans le sens anti-horaire, le mettre sur « A » puis le relâcher. La lettre **A** apparaît sur l'affichage de la surface de cuisson.
- Après 3 secondes, il est possible de choisir la valeur de puissance souhaitée. Dès qu'une valeur comprise entre 1 et 9 a été sélectionnée, la lettre **A** et le réglage souhaité clignoteront alternativement sur l'affichage.

Pendant le fonctionnement de l'accélérateur de chauffe, il est possible d'augmenter à tout moment le niveau de chauffe. La durée de chauffe à pleine puissance sera modifiée en conséquence. Si la puissance est réduite en tournant le bouton dans le sens anti-horaire, l'option « A » est automatiquement désactivée.

MODE PUISSANCE


Le mode « Power » permet d'utiliser chaque zone de cuisson à la puissance maximale pendant une durée maximale de 10 minutes en continu. Ce mode permet de porter rapidement à ébullition une grande quantité d'eau, ou d'augmenter la chaleur de cuisson d'une viande.

- Tourner le bouton dans le sens horaire et régler la puissance sur 9, puis mettre le bouton sur « P » et le relâcher.
- La lettre **P** apparaîtra dans la zone correspondante sur l'affichage.
- Après 10 minutes, la puissance sera automatiquement réduite à 9 et la lettre **P** disparaît.

Le mode « Power » peut être désactivé à tout moment en réduisant le niveau de chauffe sélectionné. Si le récipient de cuisson est retiré de la zone de cuisson alors que le mode « Power » est activé, cette fonction sera désactivée.

MODE MAINTIEN DE LA TEMPÉRATURE (Holding mode)

Ce mode maintient la température du fond des casseroles à environ 160°F/70°C. Cela permet de chauffer les aliments doucement et de les garder chauds avec une consommation d'énergie optimale. Le mode « Holding » peut rester en fonction pendant 2 heures maximum.

Le mode Maintien à température est  et est indiqué par le symbole correspondant au niveau des zones de cuisson.

SURFACE DE CUISSON À INDUCTION

MODE PONT (Bridge mode)

Le mode « Bridge » permet d'utiliser les 2 zones de cuisson du côté droit comme une seule et même zone de cuisson. Le mode « Puissance (Power) » ne peut être activé lorsque ces zones sont utilisées en mode « Bridge ».

- Tourner simultanément les deux boutons arrière droit et avant droit en position « P » et les maintenir dans cette position.
- Le symbole \sqcap clignote sur l'affichage, puis retournera au niveau de puissance défini.
- Pour contrôler le niveau de puissance du pont, utiliser le bouton 4 (zone avant droite). En tournant le bouton 3 (zone arrière droite), l'affichage indique un segment horizontal et le mode « Pont (Bridge) » est désactivé.

FONCTION SÉCURITÉ ENFANTS (Child lock)

En cas d'inutilisation, la surface de cuisson peut être « verrouillée » pour éviter que des enfants ne l'allument accidentellement.

Avec les zones de cuisson éteintes, tourner simultanément les boutons des zones 1 et 2 sur la gauche, jusqu'à ce que la lettre « L » apparaisse sur l'affichage, puis relâcher les boutons.

Pour la désactiver, répéter la même procédure : le « L » disparaîtra de l'affichage de la zone de cuisson, indiquant que la fonction « VERROUILLAGE (Lock) » de la zone de cuisson a été désactivée.

DÉTECTION DE CASSEROLE

Chaque zone de cuisson est équipée d'un dispositif de « détection de récipient », qui empêche l'allumage de la zone de cuisson tant qu'un récipient de cuisson adapté n'a pas été correctement positionné sur celle-ci.

Si l'utilisateur tente d'allumer la zone de cuisson avec la casserole mal positionnée ou avec une casserole qui n'est pas en matériau approprié, le symbole \sqcup apparaîtra quelques secondes après l'activation de la zone pour avertir l'utilisateur qu'une erreur a été commise.

CHALEUR RÉSIDUELLE

Chaque zone de cuisson est équipée d'un dispositif signalant la chaleur résiduelle. Après l'extinction d'une zone de cuisson, un « H » clignotant peut s'afficher, signalant que la zone de cuisson est toujours très chaude.

La cuisson peut être relancée même lorsque la lettre « H » clignote.

RÉCIPIENTS DE CUISSON ADAPTÉS À L'INDUCTION

La technologie à induction nécessite des batteries de cuisine en fer ou en acier magnétique afin de générer le champ magnétique nécessaire au processus de chauffage.

Les batteries de cuisine en verre, en porcelaine, en céramique ou en aluminium ne fonctionneront pas sur une table de cuisson à induction. Les récipients en verre, porcelaine, céramique ne sont pas adaptés. Les récipients en acier, aluminium ou cuivre sans fond magnétique ne conviennent pas non plus.

Le plus souvent, la compatibilité avec l'induction est indiquée sur le récipient de cuisson. Pour vérifier qu'un récipient est adapté, approcher simplement un aimant de son fond : si l'aimant se colle au fond du récipient, il est adapté à la cuisson à induction. En l'absence d'aimant, verser une petite quantité d'eau dans le récipient de cuisson, le placer sur une zone de cuisson et l'allumer. Si le symbole \sqcup s'affiche, le récipient de cuisson n'est pas adapté.

Utiliser uniquement des récipients spécialement conçus pour l'induction, dotés d'un fond épais complètement plat. Si aucun récipient de ce type n'est disponible, les récipients ne doivent pas présenter de fond arrondi (concave ou convexe).

Les casseroles qui ne sont pas complètement plates et dont le fond est en retrait laissent un intervalle d'air entre la casserole et la table de cuisson, ce qui pendant le fonctionnement peut atteindre des températures très élevées pouvant endommager le dessus et les inducteurs situés sous le verre.

Pour un fonctionnement optimal, un diamètre minimum est indispensable. Des récipients de cuisson plus larges que la zone de cuisson peuvent être utilisés. S'assurer dans ce cas que le fond ne touche pas d'autres zones de cuisson et qu'il est toujours centré sur l'inducteur.

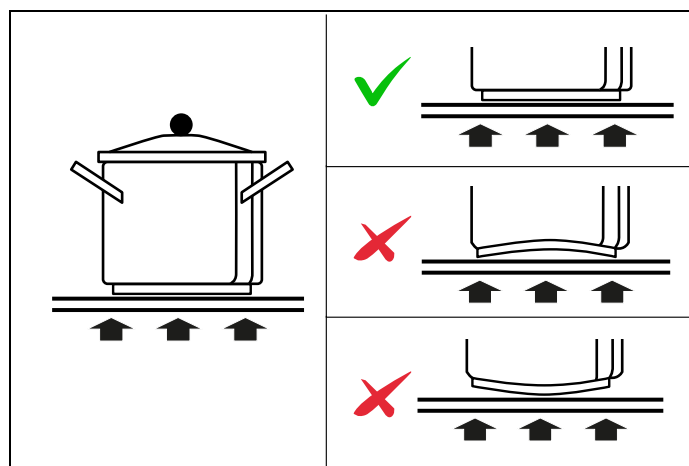


Fig. 11

SURFACE DE CUISSON À INDUCTION

BRUIT PENDANT LE FONCTIONNEMENT

Un bourdonnement ou un bourdonnement pendant le fonctionnement est normal et son intensité peut varier selon les types de batterie de cuisine.

Il est normal d'entendre un bruit de ventilateur après avoir éteint la table de cuisson à induction

DIMENSIONS DE LA ZONE D'INDUCTION

BRÛLEUR	DIAM. (MM) Ø	DIAM. USTENSILE DE CUISSON	UTILISATION
Auxiliaire	50 mm		À utiliser avec des récipients de cuisson plus petits pour faire cuire à l'eau ou mijoter et pour la préparation de sauces.
Semi-rapide (et plaque chauffante)	70 mm		À utiliser avec des récipients de cuisson de moyenne et petite taille pour des fritures normales ou des cuissons à l'eau.
Rapide	95 mm		À utiliser avec des récipients de moyenne et grande taille pour frire ou obtenir une ébullition rapide.
Double interne/ externe	43/ 140 mm		À utiliser avec des woks, des plaques chauffantes et des poêles à frire, ou avec des récipients de cuisson de grande taille pour obtenir une ébullition rapide.

RECOMMANDATIONS

- Toujours positionner le récipient de cuisson de sorte qu'il soit centré sur l'élément chauffant.
- Soulever l'ustensile de cuisson si on souhaite le déplacer. Ne pas le faire glisser et éviter tout frottement excessif sur la surface en verre car cela pourrait la rayer.
- Ne jamais laisser de récipient de cuisson vide sur un élément chauffant, même si celui-ci est éteint.
- La puissance maximale ne doit être utilisée que pour frire ou porter un liquide à ébullition.
- Éviter de chauffer les récipients de cuisson antiadhésifs (par ex. composés d'un revêtement en téflon) au maximum.
- Éviter de ranger des aliments solides et des objets lourds dans les armoires situées au-dessus de la table de cuisson. En tombant accidentellement, ils pourraient endommager la table vitrocéramique.
- **Veiller à ne pas renverser du sucre ou des mélanges sucrés sur la surface de cuisson pendant la cuisson et éviter les matériaux ou les substances qui pourraient fondre (plastique ou papier d'aluminium). Si cela se produit, couper immédiatement le chauffage et nettoyer avec le grattoir fourni pendant que la zone de cuisson est encore chaude. Si la surface de cuisson vitrocéramique n'est pas nettoyée immédiatement, des résidus peuvent se former qui peuvent ne pas être éliminés une fois que la surface de cuisson a refroidi.**

NETTOYAGE DE VOTRE CUISINIÈRE BERTAZZONI

RISQUE DE BRÛLURE

S'assurer que les éléments chauffants sont éteints et ont complètement refroidi avant d'effectuer toute opération de nettoyage et/ou d'entretien.

ACTIONS À NE PAS FAIRE

- N'utilisez pas de nettoyeur vapeur pour nettoyer la cuisinière : la vapeur pourrait entrer en contact avec des composants électriques et entraîner un court-circuit.
- Ne vaporisez pas de liquides tels que des produits nettoyants dans les ouvertures situées au bas et sur le dessus de la cavité du four.
- Les surfaces peuvent se décolorer ou être endommagées suite à l'utilisation de produits nettoyants inappropriés.

NETTOYAGE DE L'ACIER INOXYDABLE

Toutes les parties en acier inoxydable doivent être nettoyées avec une solution d'eau chaude savonneuse après chaque cycle de travail. Les projections et déversements doivent être nettoyés immédiatement. Utiliser des produits nettoyants non abrasifs adaptés à l'acier inoxydable si de l'eau savonneuse ne suffit pas. **NE PAS utiliser de laine d'acier, de linges abrasifs, de produits ou de poudres nettoyants.** Si nécessaire, gratter l'acier inoxydable pour en retirer les incrustations ; pour cela, mouiller avec un chiffon humide et chaud pour ramollir le dépôt, puis utiliser une spatule en bois ou en nylon ou une raclette. **Ne pas utiliser de couteau, de spatule ou tout autre ustensile en métal pour gratter l'acier inoxydable.** NE PAS laisser de jus de citron ou de tomate sur la surface en acier inoxydable, l'acide citrique pouvant décolorer de façon indélébile l'acier inoxydable.

NETTOYAGE DES SURFACES PEINTES

Nettoyer avec un linge doux, de l'eau chaude et du liquide vaisselle non abrasif. Tandis que la surface est encore humide, frotter avec un linge doux et propre.

NETTOYAGE DE LA SURFACE DE CUISSON À INDUCTION

Avant le nettoyage, laisser refroidir la surface jusqu'à ce que l'indicateur de chaleur résiduelle s'éteigne. Ne jamais utiliser de poudres ou de pâtes à récurer, de tampons à récurer métalliques, de produits nettoyants pour four ou tout produit de nettoyage abrasif sur la surface chaude. Nettoyer toute projection avant de réutiliser la surface de cuisson. Pour un nettoyage léger, utiliser un linge doux imbibé d'eau chaude et de liquide nettoyant. Pour une finition sans traces, frotter avec un linge sec en microfibre. En cas de traces incrustées et pour un nettoyage optimal de la surface de cuisson, utiliser une crème ou un produit nettoyant de qualité destinés aux surfaces de cuisson, en suivant les instructions du fabricant. En cas de projection d'aliment présentant une teneur en sucre élevée, par exemple de la confiture, ou de fusion accidentelle de plastique ou d'alliages, éteindre la zone de cuisson et retirer immédiatement la projection.

Procéder avec la plus grande prudence car la zone de cuisson peut être brûlante.

REMÈDES

Vous trouverez ci-après des solutions aux problèmes les plus fréquents. Vous pouvez aussi appeler le numéro vert de notre Service clients pour résoudre tout problème lié à votre cuisinière Bertazzoni.

En cas d'utilisation aux États-Unis

866 905 0010

<https://us.bertazzoni.com/more/support>

Si situé au CANADA

800 561 7265

<https://ca.bertazzoni.com/more/support>

Pour toute information sur la garantie et demande de service, contactez-nous:



Aux États-Unis: <https://us.bertazzoni.com/more/support>

Au Canada: <https://ca.bertazzoni.com/more/support>



www.bertazzoni.com
Via Palazzina, 8,
42016 Guastalla RE

© 2024 BERTAZZONI. All rights reserved.

3100768_v.02