

PRO365INMXV

PROFESSIONAL SERIES INDUCTION RANGE 36" - 5 HEATING ZONES -
ELECTRIC OVEN - STAINLESS STEEL FINISH



Energy star

Energy star rated 36" range with 5 induction zones and electric oven.

Exclusive Finish and Materials

Metal knobs and handles make the range a standout in every kitchen. Stainless Toekick available as accessory.

Bertazzoni signature counter-deep maintop

Bertazzoni signature stainless counter-deep maintop is designed to install flush with most kitchen countertops for a perfectly integrated look. Precise and flexible heating is provided by 5 latest generation extra-large induction zones with bridging of right-side zones. Complete the range with the optional cast-iron griddle.

Extra large oven with dual convection

5.9 cu.ft electric oven with dual horizontal convection fans for even baking and roasting on 7 shelf levels. Bertazzoni ovens are equipped with an extra-large high-power broiler for broiling and grilling.

Advanced programming and controls for the oven

The elegant temperature gauge for control of oven temperature during pre-heating and baking is a signature of every Bertazzoni range.

Best-in-class features and design

The soft-motion oven door with edge-to-edge tempered glass is a masterpiece of European engineering and makes the oven door very easy to wipe clean. The stainless steel racks included with the range can be equipped with optional telescopic glides.

GENERAL CHARACTERISTICS

| | |
|---------------|--|
| Worktop | 5 induction zones |
| Front right | 2100W (3700W booster) |
| Front left | 1400W (2200W booster) |
| Center | 2300W (3700W booster) |
| Back right | 2100W (3700W booster) |
| Back left | 2300W (3700W booster) |
| Knobs | Metal finish with ergonomic shape |
| Cooking modes | 9 |
| Tray | 1 baking tray with grill trivet |
| Shelves | 2 standard with handle |
| Levels | Laterals grids |
| Inner door | Squared 3 glasses |
| Door hinges | Soft motion |
| Legs | Stainless steel \varnothing 2 3/8 inches |

TECHNICAL SPECIFICATIONS

| | |
|-------------------------|--|
| Electrical requirements | 120/208 V 60HZ - 14000W 120/240 V 60HZ - 14800W 1 ϕ 20A @ 208V @ 80% 1 ϕ 30A @ 240V @ 80% |
| Warranty | 2 years parts & labor |
| Packaging dimensions | H:42 1/8 W:40 9/16 D:29 15/16 |



PRO365INMXV

PROFESSIONAL SERIES INDUCTION RANGE 36" - 5 HEATING ZONES - ELECTRIC OVEN
- STAINLESS STEEL FINISH



DIMENSIONS

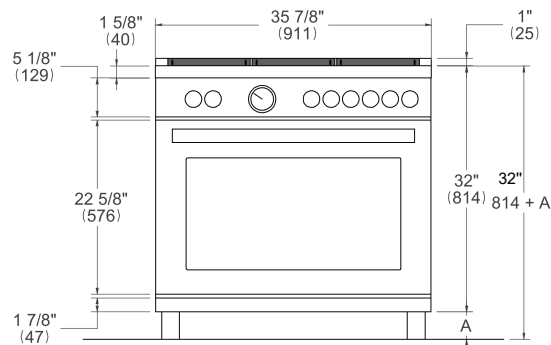
SIDE VIEW



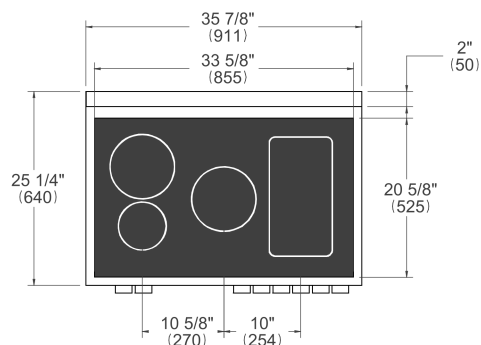
LEG DETAILS



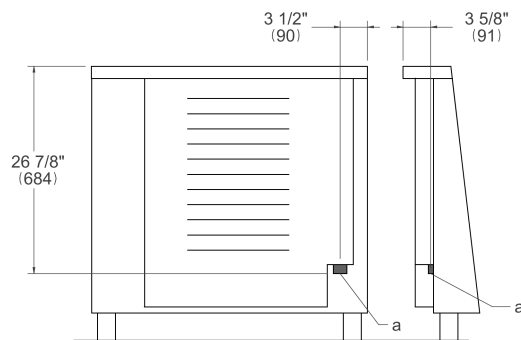
FRONT VIEW



WORKTOP DETAILS

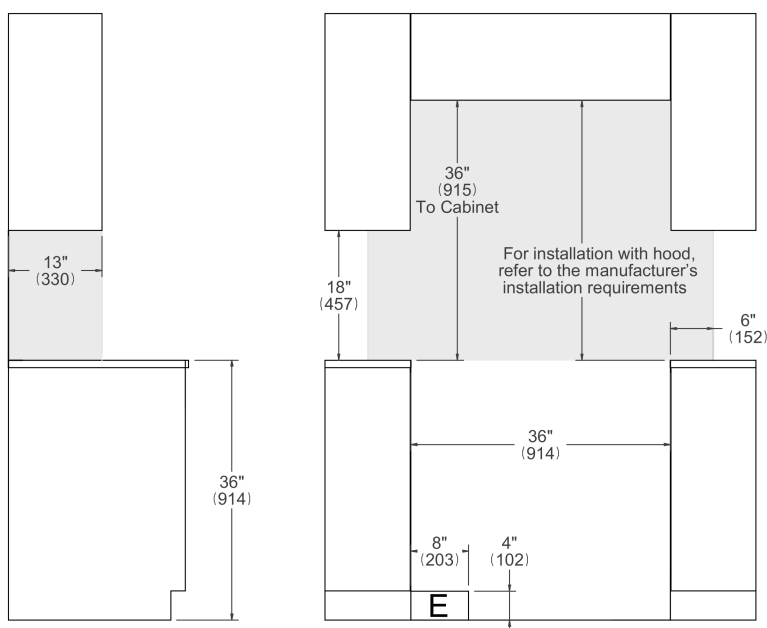


REAR VIEW



INSTALLATION

E A properly-grounded horizontally mounted electrical receptacle should be installed no higher than 3" (7.6 cm) above the floor, no less than 2" (5 cm) and no more than 8" (20,3 cm) from the left side (facing product). Check all local code requirements.



NOTE

- a. Electrical Connection
- b. Gas Connection

Disclaimer: while every effort has been made to insure the accuracy of the information contained in this document, Fratelli Bertazzoni reserves the right to change any part of the information at any time without notice. For detailed installation specifications consult the installation manual. Fratelli Bertazzoni, Bertazzoni and the winged wheel brand icon are registered trademarks of Bertazzoni Spa.