



PRO Series Refrigeration

Installation Guide

SPECIFICATIONS, INSTALLATION,
AND MORE



Contents

- 3 PRO Series Refrigeration
- 4 Opening Dimensions
- 6 Electrical
- 7 Plumbing
- 7 Preparation
- 8 Anti-Tip Bracket
- 10 Placement
- 11 Water Line
- 11 Alignment
- 13 Completion

Features and specifications are subject to change at any time without notice. Visit subzero.com/specs for the most up-to-date information.

Important Note

To ensure this product is installed and operated as safely and efficiently as possible, take note of the following types of highlighted information throughout this guide:

IMPORTANT NOTE highlights information that is especially important.

⚠ CAUTION

Indicates a situation where minor injury or product damage may occur if instructions are not followed.

⚠ WARNING

States a hazard that may cause serious injury or death if precautions are not followed.

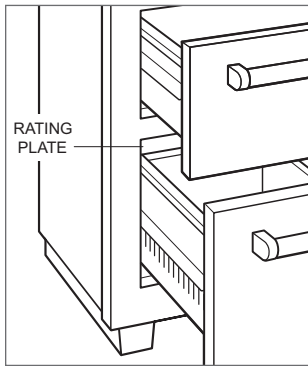
IMPORTANT NOTE: Throughout this guide, dimensions in parentheses are millimeters unless otherwise specified.

IMPORTANT NOTE: Save these instructions for the local electrical inspector.

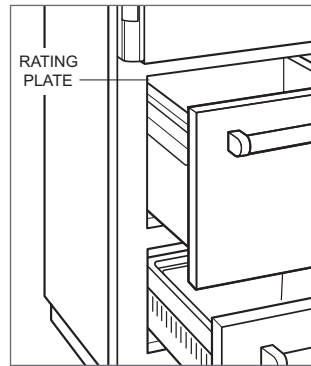
Product Information

Important product information, including the model and serial number, are listed on the product rating plate. The rating plate is located inside the cabinet, attached to the left interior wall of the bottom drawer for 36" (914) models and the top drawer for 48" (1219) models. Refer to the illustrations below.

If service is necessary, contact Sub-Zero Factory Certified Service with the model and serial number. For the name of the nearest Sub-Zero Factory Certified Service or for questions regarding the installation, visit the Product Support section of our website, subzero.com, or call Sub-Zero Customer Care at 800-222-7820.



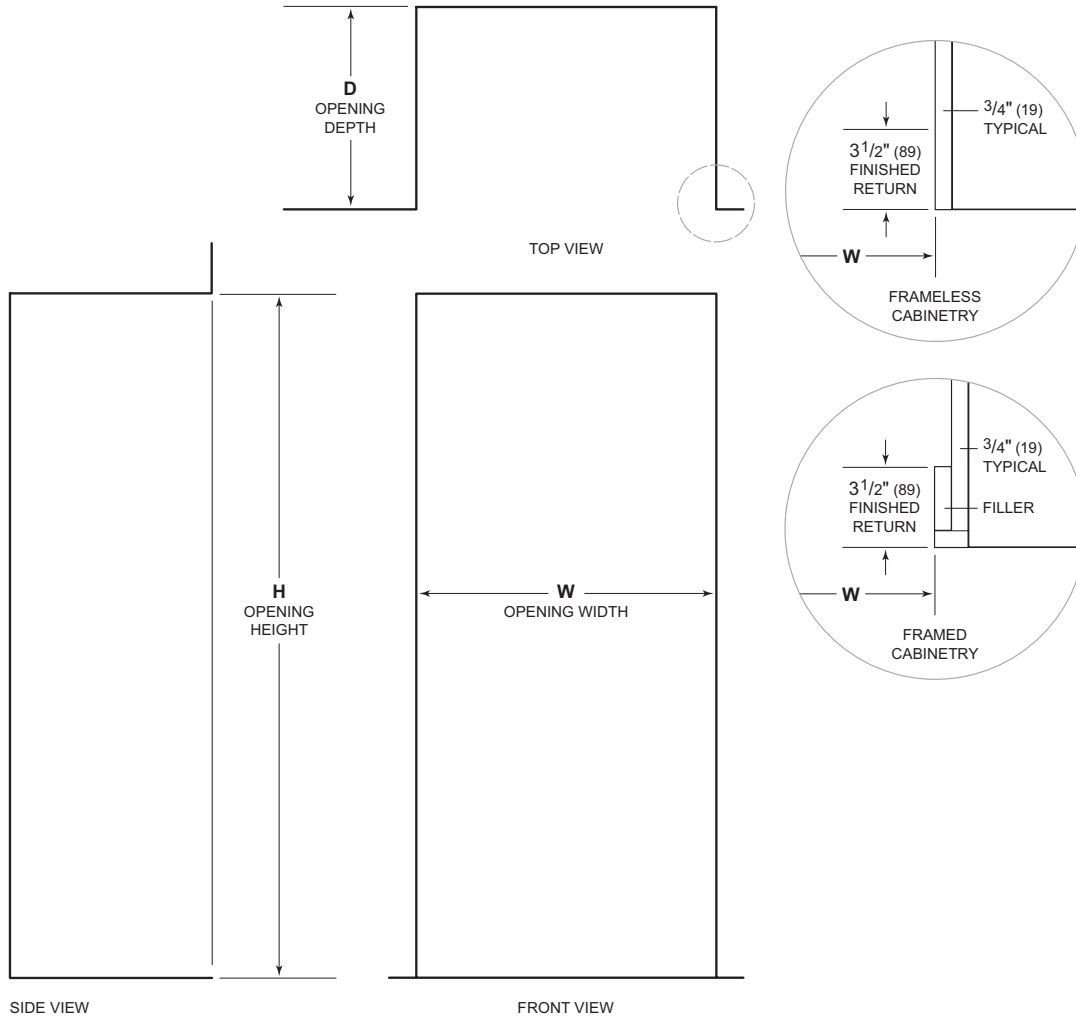
Rating plate location—
36" models



Rating plate location—
48" models

Opening Dimensions

STANDARD | FLUSH INSTALLATION



NOTE: $3\frac{1}{2}"$ (89) finished returns will be visible and should be finished to match cabinetry.

STANDARD OPENING	W	H	D
36" Model	35½" (902)	83¾" (2127)	24" (610)
48" Model	47½" (1206)	83¾" (2127)	24" (610)

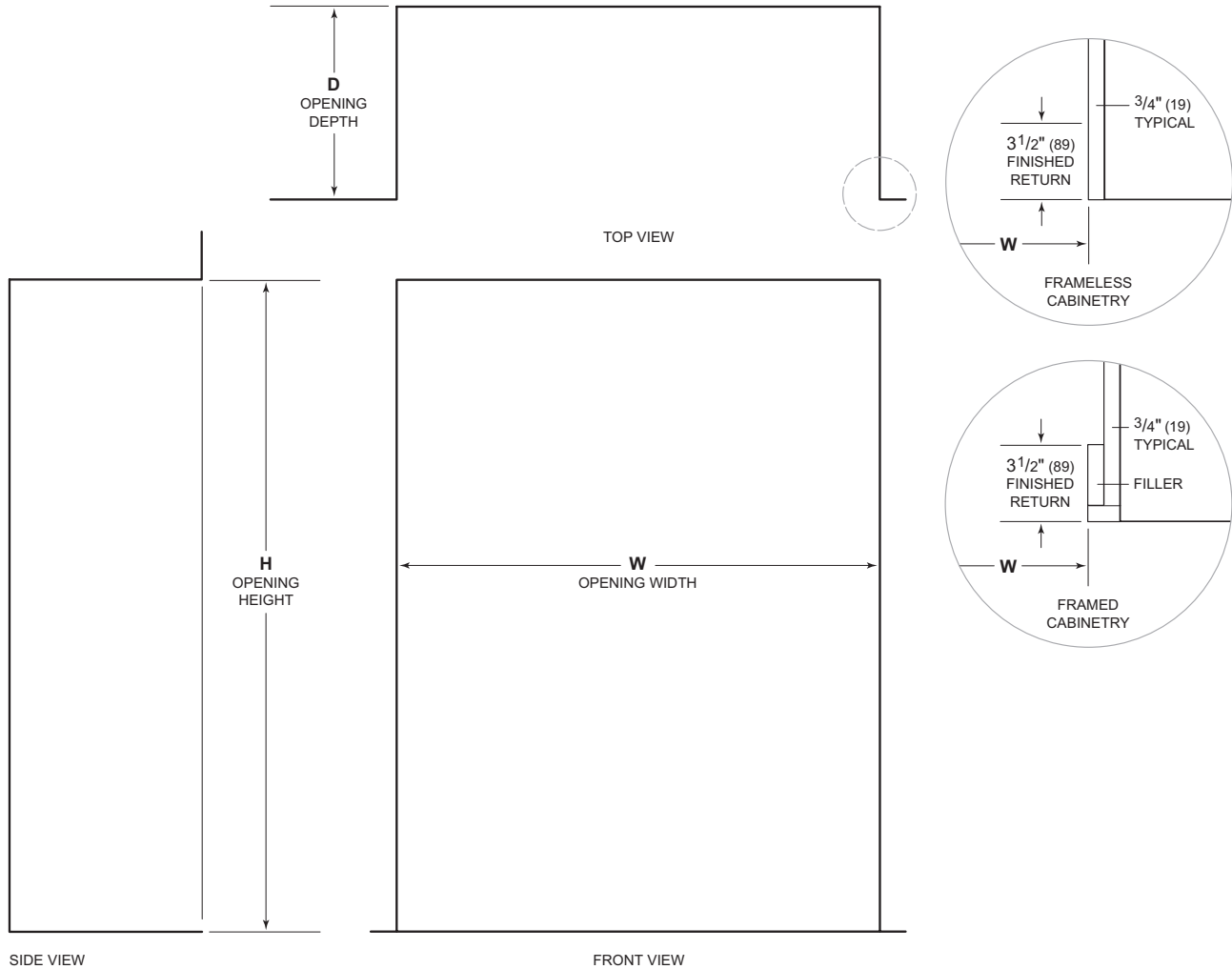
For standard installations, the face frame will extend 2" (51) beyond cabinetry.

FLUSH OPENING	W	H	D
36" Model	36" (914)	84⅛" (2137)	26" (660)
48" Model	48" (1219)	84⅛" (2137)	26" (660)

For flush installations, the face frame will be flush with surrounding cabinetry.

Opening Dimensions

DUAL STANDARD | FLUSH INSTALLATION



NOTE: 3 1/2" (89) finished returns will be visible and should be finished to match cabinetry.

DUAL STANDARD OPENING	W	H	D
Two 36" Models	71 1/2" (1816)	83 3/4" (2127)	24" (610)

For standard installations, the face frame will extend 2" (51) beyond cabinetry. A dual installation kit is required for this installation.

DUAL FLUSH OPENING	W	H	D
Two 36" Models	72" (1829)	84 1/8" (2137)	26" (660)

For flush installations, the face frame will be flush with surrounding cabinetry. A dual installation kit is required for this installation.

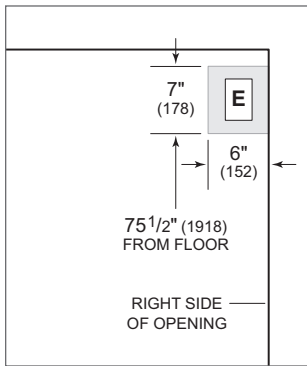
Electrical Requirements

Installation must comply with all applicable electrical codes.

Locate the electrical supply within the shaded area shown in the illustration below. A separate circuit servicing only this appliance is required. A ground fault circuit interrupter (GFCI) is not recommended and may cause interruption of operation.

ELECTRICAL REQUIREMENTS

Electrical Supply	115 VAC, 60 Hz
Service	15 amp dedicated circuit
Receptacle	3-prong grounding-type



Electrical supply location

⚠ CAUTION

The outlet must be checked by a qualified electrician to be sure it is wired with the correct polarity. Verify the outlet is properly grounded.

⚠ WARNING

If the supply cord is damaged, it must be replaced by the manufacturer, its service agent or similarly qualified persons in order to avoid a hazard.

⚠ WARNING

Do not use an extension cord, two-prong adapter, or remove the power cord ground prong.

⚠ WARNING

Do not locate multiple portable socket-outlets or portable power supplies at the rear of the appliance.

Plumbing Requirements

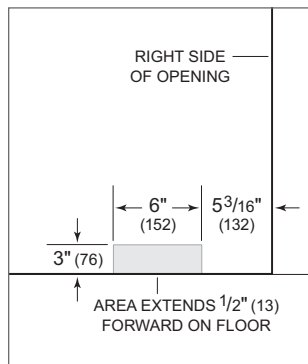
Installation must comply with all applicable plumbing codes.

Locate the water supply line within the shaded area shown in the illustration below. Connect the water supply line to the house supply with an easily accessible shut-off valve. Do not use self-piercing valves. The water supply line must not interfere with the installation of the anti-tip bracket.

A reverse osmosis system can be used provided there is constant water pressure of 35–120 psi (2.4–8.3 bar) supplied to the unit at all times. In this application, the water filtration system must be bypassed by removing the filter. A copper line is not recommended for this application.

PLUMBING REQUIREMENTS

Water Supply	¼" OD copper, braided stainless steel, or PEX tubing
Pressure	35–120 psi (2.4–8.3 bar)
Excess Line for Connection	36" (914)



Water supply location

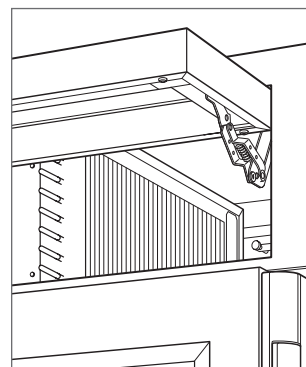
Preparation

Uncrate the unit, and inspect for damage. Remove the wood base, and discard the shipping bolts and brackets. Remove and recycle packing materials. Do not discard the kickplate, anti-tip bracket, and hardware.

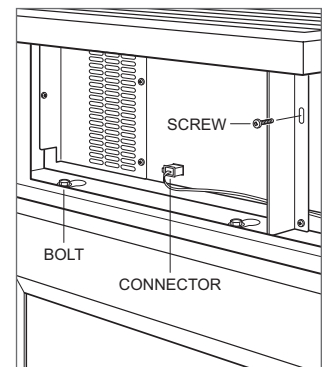
Completely retract the front leveling legs to allow the unit to be moved into position. The front and rear leveling legs can be adjusted from the front once the unit is in position.

Remove the drain pan from the base of the unit to avoid damage and to allow for proper placement of the appliance dolly.

The grille assembly should be removed prior to moving the unit. To remove, rotate the bottom of the grille upward. Disconnect the network cable, then remove the center mounting screw. Loosen the three grille bolts from the grille, then pull the grille forward. Refer to the illustrations below.



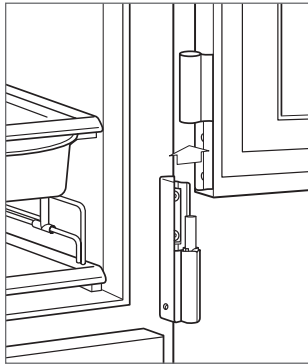
Lift grille



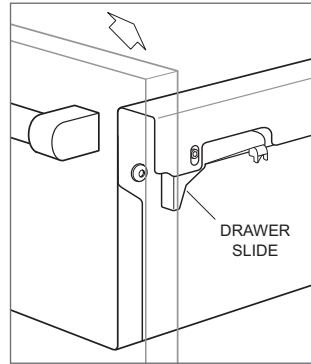
Grille removal

Preparation

Doors and drawers can be removed for ease of installation. Door and drawer removal is not required. To remove a door, refer to the illustration below. To remove a drawer, pull the drawer out to full-extension. Apply forward pressure to the front of the drawer slide, and pull up and back on the drawer handle. Refer to the illustration below.



Door removal



Drawer removal

Anti-Tip Bracket

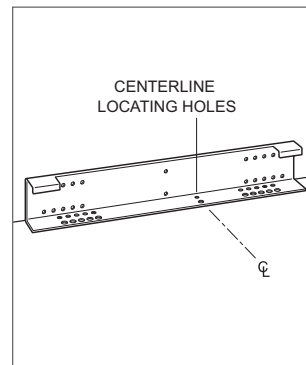
⚠ WARNING

To prevent the unit from tipping forward, the anti-tip bracket must be installed.

⚠ WARNING

To avoid a hazard due to instability of the appliance, it must be fixed in accordance with the instructions.

Use the centerline locating holes to position the anti-tip bracket in the center of the opening. The bracket must be positioned 24" (610) from the front of the opening to the back of the bracket. This depth will increase to 26" (660) for a flush installation. Failure to properly position the anti-tip bracket will prevent proper engagement.



Anti-tip bracket

Anti-Tip Bracket

Use all anti-tip bracket hardware as instructed for wood or concrete floors.

IMPORTANT NOTE: For wood or concrete floor applications, if the #12 screws do not hit a wall stud or wall plate, use the #8 screws and #12 washers with the wall anchors.

IMPORTANT NOTE: In some installations the subflooring or finished floor may necessitate angling the screws used to fasten the anti-tip bracket to the back wall.

ANTI-TIP HARDWARE

1	Anti-tip bracket
12	#12 x 2½" pan head screws
3	⅜"-16 x 3¾" wedge anchors
12	#12 flat washers
3	#8-18 x 1¼" truss head screws
3	Nylon Zip-it® wall anchors

WOOD FLOOR APPLICATION

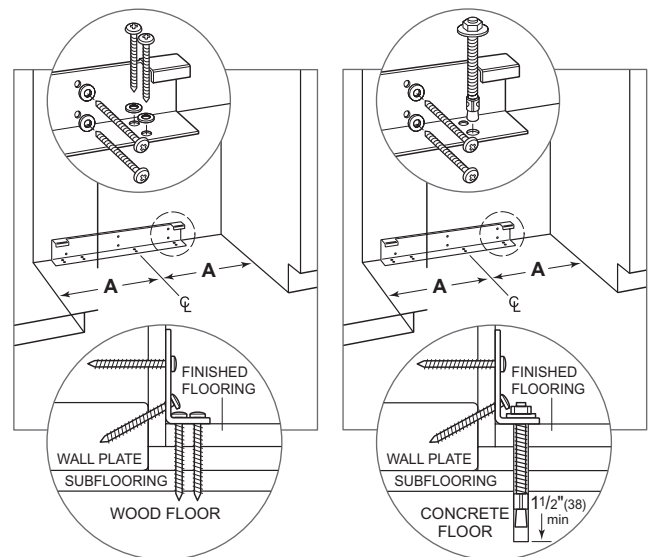
After properly locating the anti-tip bracket in the opening, drill pilot holes ⅜" (5) diameter maximum in the wall studs or wall plate. Use the #12 screws and washers to secure the bracket. Verify the screws penetrate through the flooring material and into the wall studs or wall plate a minimum of ¾" (19). Refer to the chart and illustration below.

CONCRETE FLOOR APPLICATION

After properly locating the anti-tip bracket in the opening, drill pilot holes ⅜" (5) diameter maximum in the wall studs or wall plate. Drill ⅜" (10) diameter holes into the concrete a minimum of 1½" (38) deep. Use the #12 screws and washers to secure the bracket to the wall, and use the ⅜" wedge anchors to secure the bracket to the floor. Verify the screws penetrate the wall studs or wall plate a minimum of ¾" (19). Refer to the chart and illustration below.

ANTI-TIP BRACKET PLACEMENT

	A
36" Model	17¾" (451)
48" Model	23¾" (603)



Wood floor

Concrete floor

Anti-Tip Bracket

CONCRETE WEDGE ANCHOR INSTALLATION

- 1 Drill a $\frac{3}{8}$ " (10) diameter hole any depth exceeding the minimum embedment. Clean the hole or drill additional depth to accommodate the drill fines.
- 2 Assemble the washer and nut flush with the end of anchor to protect threads. Drive the anchor through the material to be fastened until the washer is flush with the surface material.
- 3 Expand the anchor by tightening the nut 3–5 turns past hand-tight position or to 25 foot-pounds of torque.

⚠ WARNING

Verify there are no electrical wires or plumbing in the area which the screws could penetrate.

⚠ CAUTION

Always wear safety glasses and use other necessary protective devices or apparel when installing or working with anchors.

Anchors are not recommended for use in lightweight masonry material such as block or brick, or for use in new concrete which has not had sufficient time to cure. The use of core drills is not recommended to drill holes for the anchors.

Placement

⚠ CAUTION

Before moving the unit into position, secure doors and drawers closed, and protect any finished flooring.

Use an appliance dolly to move the unit near the opening.

If the unit has been on its back or side, it must stand upright for a minimum of 24 hours before connecting power.

Plug the power cord into the grounded outlet, and roll the unit into position. Verify the anti-tip bracket is properly engaged.

⚠ WARNING

When positioning the appliance, ensure the supply cord is not trapped or damaged.

Water Line

Approximately 3' (.9 m) of 1/4" plastic tubing is connected to the unit with a preassembled 1/4" compression connection under the unit. The water line fitting connection kit, provided with the unit, contains a 1/4" compression union fitting for connection to the household water line.

Purge the water line prior to final connection to the unit. This will remove any debris that may be present in the tubing from installing the new water line.

Place the sleeve and nut on the water line, and fasten to the connection at the end of the tubing. Do not over tighten. Check all water line fittings for leaks. Verify the drain pan can be installed and removed without interference with the water line.

IMPORTANT NOTE: If a reverse osmosis system is used, it is recommended the water filtration system be bypassed by removing the filter.

IMPORTANT NOTE: Water lines cannot be exposed to freezing temperatures.

⚠ WARNING

Connect to potable water supply only.

Alignment

LEVELING

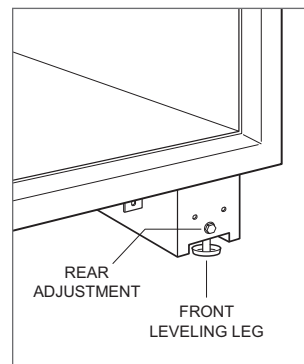
Once the unit is in position, turn the front leveling legs clockwise to adjust the height. The rear height adjustment can be made from the front of the roller base. Using a 3/8" socket, turn the 3/8" hex bolt clockwise to raise the unit or counterclockwise to lower. Use the lowest torque setting when using a power drill. Do not turn the rear leveling legs by hand. Refer to the illustration below.

When the unit is properly leveled, door and drawer adjustments are less likely to be necessary.

IMPORTANT NOTE: Level the unit to the floor, not the surrounding cabinetry. This could affect the operation of the unit, such as door closing.

⚠ WARNING

To reduce the possibility of the unit tipping forward, the front leveling legs must be in contact with the floor.



Leveling

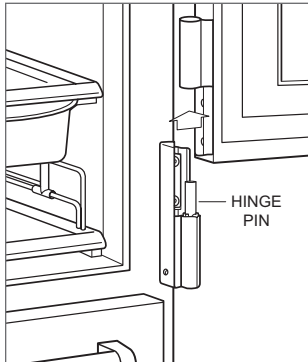
Alignment

DOOR ADJUSTMENT

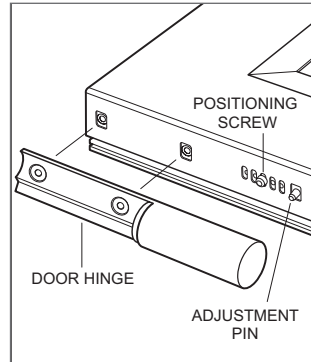
The doors are adjustable in and out, up and down, and side to side. In-and-out and up-and-down adjustments are made on the door. Side-to-side adjustments are made on the cabinet hinges. To make any adjustments, remove the door and hinge pins. Refer to the illustration below.

In-and-Out and Up-and-Down Adjustment:

- 1 Place the door on a protected work surface, then loosen the two upper hinge mounting screws.
- 2 Remove the two lower hinge mounting screws, then remove the lower hinge.
- 3 Remove the positioning screw from the bottom of the door, then use the adjustment pin to make up-and-down and in-and-out adjustments. Refer to the illustration below. Each vertical hole location adjusts the door $\frac{1}{32}$ " (1). The slotted holes allow for in-and-out adjustment.
- 4 Once the adjustments are made, install and tighten the positioning screw.



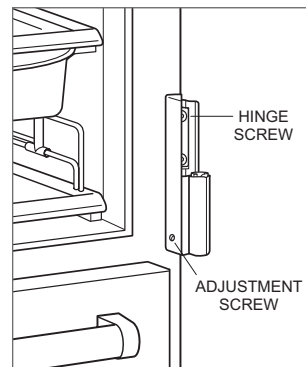
Door removal



Door adjustment

Side-to-Side Adjustment:

- 1 Loosen the two mounting screws on the upper and/or lower cabinet hinge. Refer to the illustration below.
- 2 Use an Allen wrench to rotate the adjustment screw.
- 3 Verify the hinge is parallel to the side of the unit, then tighten the mounting screws.
- 4 Install the hinge pins and door, then verify the door alignment.



Cabinet hinge adjustment

Alignment

DRAWER ADJUSTMENT

Up-and-Down Adjustment:

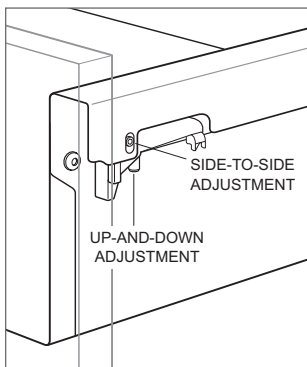
- 1 Use a hex wrench to turn the up-and-down adjustment screw counterclockwise to raise and clockwise to lower. Refer to the illustration below.

Side-to-Side Adjustment:

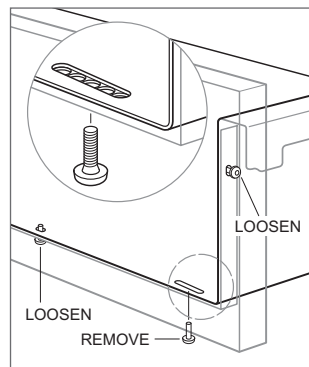
- 1 Use a hex wrench to turn the adjustment screw. Refer to the illustration below.
- 2 Both drawer slides must be adjusted equally to achieve movement. For example, if the right slide adjustment screw rotated clockwise, rotate the left slide screw equally counterclockwise.

Tilt Adjustment:

- 1 Loosen the side and the bottom, center screws. Refer to the illustration below.
- 2 Remove the screw from the corner of the drawer that is out of adjustment.
- 3 Move the drawer front in or out by hand.
- 4 Install the screw into the bottom of the drawer. Each hole location adjusts the door in or out by $\frac{1}{32}$ " (1).
- 5 Tighten the side and bottom, center screws.



Drawer adjustment



Drawer tilt adjustment

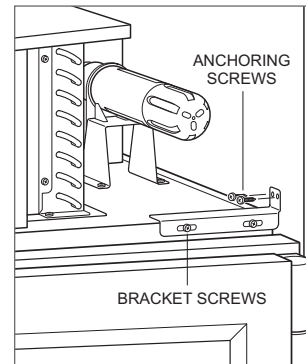
Completion

ANCHORING

After the unit has been leveled and door and drawer adjustment completed, anchor the unit to the opening to ensure a proper fit and secure installation.

To Anchor the Unit:

- 1 Loosen the mounting bracket screws at the top of the unit, then slide the mounting brackets to the side until they contact the sides of the opening. Install additional blocking if necessary. Refer to the illustration below.
- 2 Secure the brackets with the anchoring screws provided, then tighten the mounting bracket screws.



Anchoring


Completion

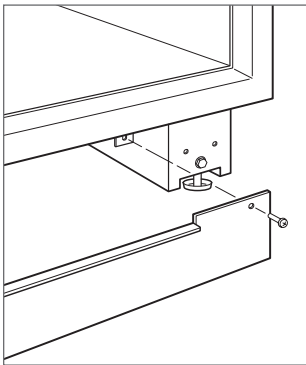
Install the grille assembly and check for proper fit. Reconnect the network cable. Refer to page 7. Attach the network cable to the grille using the cable ties provided.

Reinstall the drain pan and verify it is in the proper position.

Install the kickplate using the screws to attach it to the brackets on the inside of each roller base. Refer to the illustration below. The kickplate must be removable for service. The floor cannot interfere with removal.

Install the leg covers.

For initial start up, touch and hold  POWER on either external touch display, located on the grille.



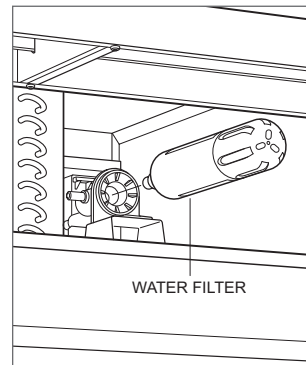
Kickplate installation

WATER FILTER BYPASS

If the water filtration system will not be used, it can be bypassed by removing the water filter.

To Remove the Water Filter:

- 1 To access the water filter, rotate the bottom of the grille upward.
- 2 To remove the filter, rotate counterclockwise one-quarter turn, then pull out. Refer to the illustration below.



Water filter removal

Completion

90° DOOR STOP

The door(s) of all models open to 135°. For installations where the door opening must be limited, an optional 90° door stop kit is available through an authorized Sub-Zero dealer. For local dealer information, visit the find a showroom section of our website, subzero.com.

WARNING

Follow all city and state laws when storing, recycling, or discarding unused refrigerators and freezers.

Contenido

- 3 Refrigeración serie PRO
- 4 Dimensiones de la apertura
- 6 Instalación eléctrica
- 7 Plomería
- 7 Preparación
- 8 Soporte antivuelco
- 10 Colocación
- 11 Línea de agua
- 11 Alineación
- 13 Finalización

Las características y especificaciones están sujetas a cambios sin previo aviso. Visite subzero.com/specs para obtener la información más actualizada.

Aviso importante

Para garantizar que este producto se instale y opere de la forma más segura y eficiente posible, tome nota de los siguientes tipos de información resaltada en este manual:

AVISO IMPORTANTE señala la información que es especialmente importante.

⚠ PRECAUCIÓN

Indica una situación en la que se pueden sufrir heridas leves o provocar daños al producto si no se siguen las instrucciones.

⚠ ADVERTENCIA

Indica peligro de que se produzcan heridas graves o incluso la muerte si no se siguen las precauciones.

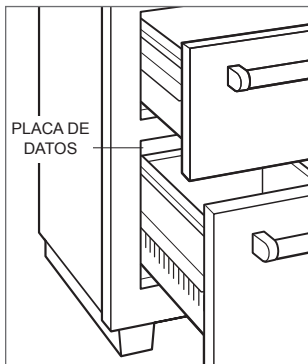
AVISO IMPORTANTE: En toda esta guía, las dimensiones entre paréntesis son milímetros, a menos que se especifique lo contrario.

AVISO IMPORTANTE: Guarde estas instrucciones para el inspector eléctrico local.

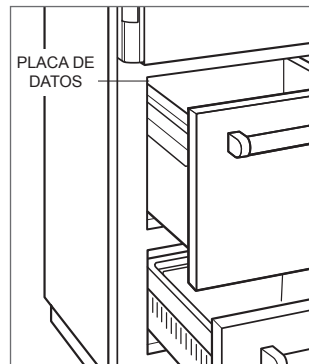
Información del producto

La información importante del producto, incluidos el modelo y el número de serie de la unidad, se encuentra en la placa de datos del producto. La placa de datos está situada dentro del gabinete, unida a la pared interior izquierda de la parte inferior del cajón. Consulte la siguiente ilustración.

Si necesita servicio, póngase en contacto con el centro de servicio autorizado de Sub-Zero y tenga a la mano el modelo y número de serie de la máquina. Para obtener los datos del centro de servicio autorizado de Sub-Zero más cercano o si tiene preguntas acerca de la instalación, visite la sección de Soporte de productos de nuestro sitio web, subzero.com o llame a la línea de atención al cliente de Sub-Zero al 800-222-7820.



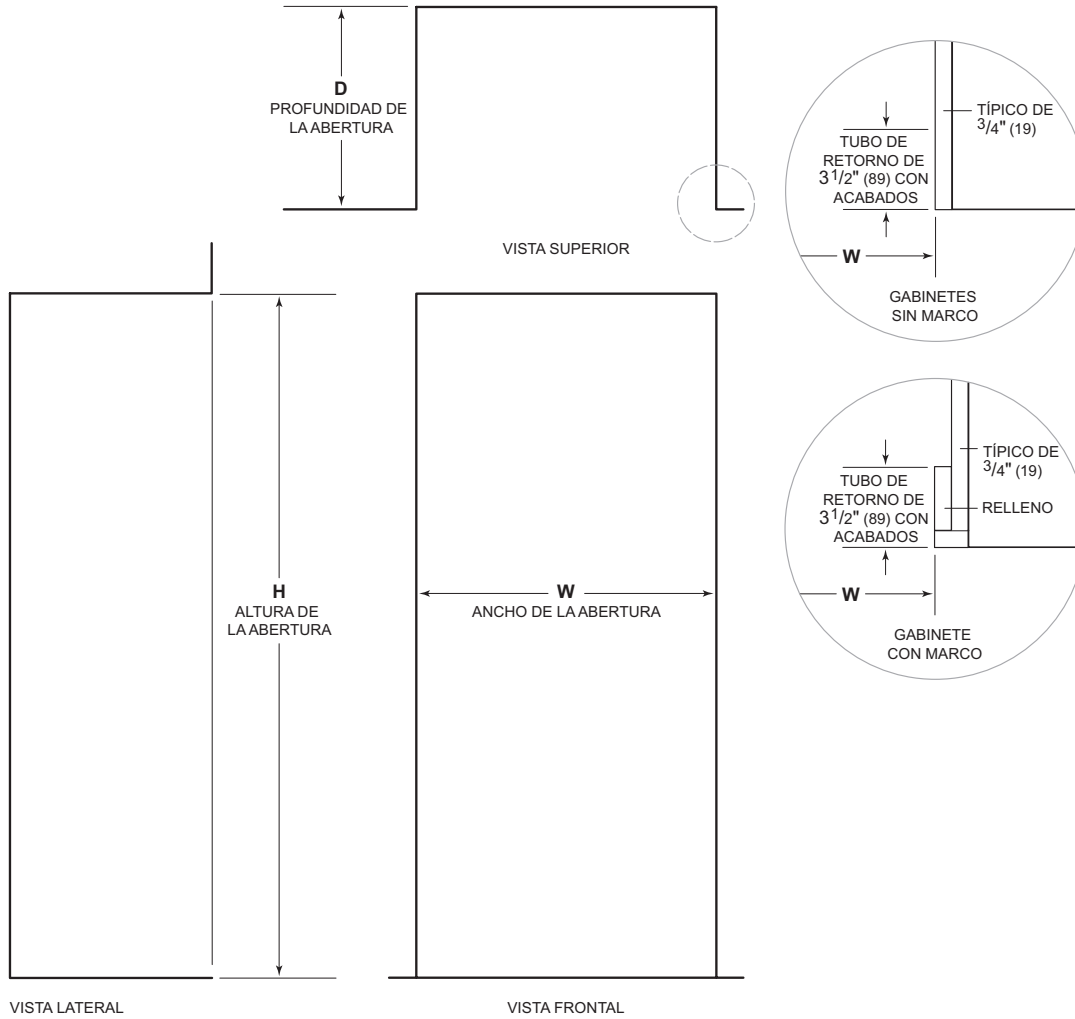
Ubicación de la placa de características para modelos de 36 "



Ubicación de la placa de características para modelos de 48 "

Dimensiones de abertura

INSTALACIÓN EMPOTRABLE | ESTÁNDAR



NOTA: Los tubos de retorno de 3 1/2" (89) con acabados se podrán ver y se deben terminar para que se ajusten a los gabinetes.

ABERTURA ESTÁNDAR

	W	H	D
Modelo de 36"	35 1/2" (902)	83 3/4" (2127)	24" (610)
Modelo de 48"	47 1/2" (1206)	83 3/4" (2127)	24" (610)

En las instalaciones estándar, el marco frontal se extenderá 2" (51) más allá de los gabinetes.

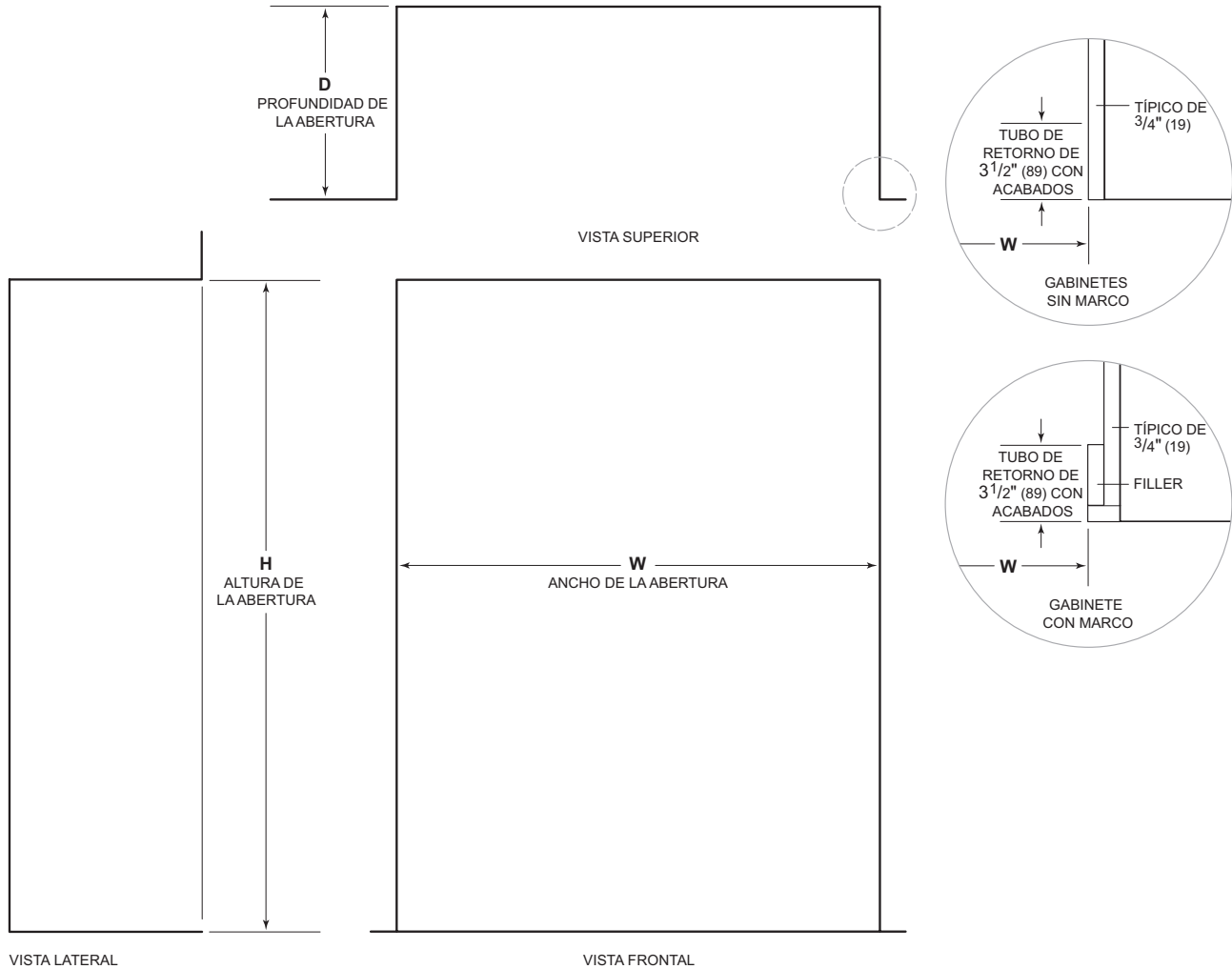
ABERTURA EMPOTRABLE

	W	H	D
Modelo de 36"	36" (914)	84 1/8" (2137)	26" (660)
Modelo de 48"	48" (1219)	84 1/8" (2137)	26" (660)

Para las instalaciones empotrables, el marco frontal se instalará con los gabinetes que lo rodean.

Dimensiones de abertura

INSTALACIÓN EMPOTRABLE | ESTÁNDAR DOBLE



NOTA: Los tubos de retorno de 3 1/2" (89) con acabados se podrán ver y se deben terminar para que se ajusten a los gabinetes.

ABERTURA ESTÁNDAR DOBLE	W	H	D
Dos modelos de 36"	71 1/2" (1816)	83 3/4" (2127)	24" (610)

En las instalaciones estándar, el marco frontal se extenderá 2" (51) más allá de los gabinetes. Para esta instalación se requiere un kit de instalación doble.

ABERTURA EMPOTRABLE DOBLE	W	H	D
Dos modelos de 36"	72" (1829)	84 1/8" (2137)	26" (660)

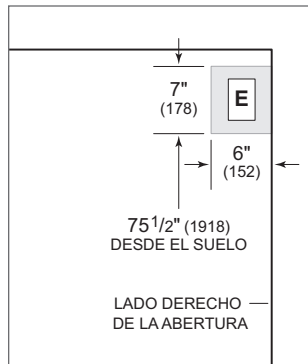
Para las instalaciones empotrables, el marco frontal se instalará con los gabinetes que lo rodean. Para esta instalación se requiere un kit de instalación doble.

Requisitos eléctricos

La instalación debe cumplir con todos los códigos eléctricos vigentes. El suministro eléctrico debe colocarse dentro del área sombreada que se muestra en la siguiente ilustración. Se necesita un circuito independiente que le suministre electricidad únicamente a este electrodoméstico. No es recomendable utilizar un circuito de fallos de conexión a tierra (GFCI, por sus siglas en inglés) ya que puede interrumpir el funcionamiento de la unidad.

REQUISITOS ELÉCTRICOS

Suministro eléctrico	115 V CA, 60 Hz
Servicio	Circuito dedicado de 15 amperes
Receptáculo	Conexión a tierra de 3 clavijas



Ubicación del suministro eléctrico

⚠ PRECAUCIÓN

Un electricista calificado debe revisar el tomacorriente para asegurarse de que la conexión del cableado se haya realizado con la polaridad correcta. Verifique que el tomacorriente esté debidamente conectado a tierra.

⚠ ADVERTENCIA

Si el cable de alimentación está dañado, debe ser reemplazado por el fabricante, su agente de servicio o personas calificadas de manera similar para evitar un peligro.

⚠ ADVERTENCIA

No use un cable de extensión, adaptador de dos clavijas ni retire la clavija con conexión a tierra del cable de corriente.

⚠ ADVERTENCIA

No ubique múltiples tomas de corriente portátiles o fuentes de alimentación portátiles en la parte trasera del aparato.

Requisitos de plomería

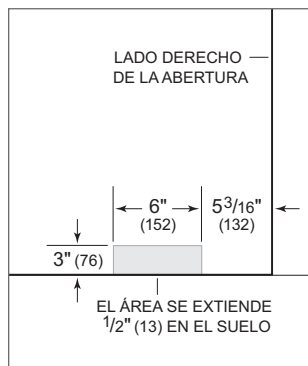
La instalación debe cumplir con todos los códigos de plomería vigentes.

La línea del suministro de agua debe colocarse dentro del área sombreada que se muestra en la siguiente ilustración. La tubería del suministro de agua debe conectarse al suministro doméstico con una válvula de cierre de fácil acceso. No use válvulas autoperforantes. La línea del suministro de agua no debe interferir en la instalación del soporte antivuelco.

Se puede utilizar un sistema de ósmosis inversa siempre y cuando la presión del agua que llegue a la unidad se mantenga de forma constante entre 35 y 120 psi (de 2.4 a 8.3 bares) en todo momento. En esta aplicación, se debe desviar el sistema de filtrado de agua mediante la extracción del filtro. No es recomendable usar tuberías de cobre para esta aplicación.

REQUISITOS DE PLOMERÍA

Suministro de agua:	Tubería de cobre, trenzada de acero inoxidable o PEX de 1/4" de diámetro exterior
Presión	De 35 a 120 psi (de 2.4 a 8.3 bares)
Tubería de exceso para la conexión	36" (914)



Ubicación del suministro de agua

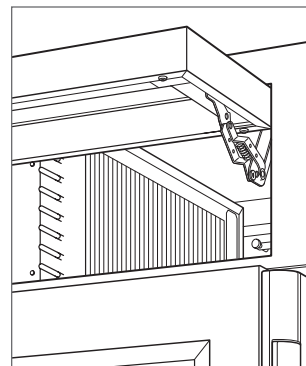
Preparación

Desembale la unidad e inspeccione si tiene algún daño. Retire la base de madera y deseche los pernos y soportes de transporte. Retire y recicle los materiales de embalaje. No deseche el zócalo, el soporte antivuelco ni las piezas de montaje.

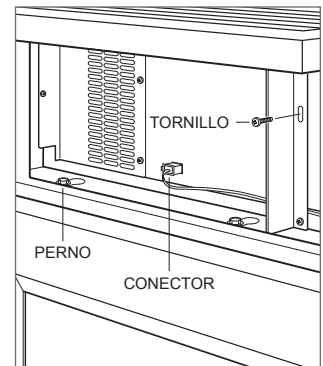
Repliegue completamente las patas niveladoras delanteras para que pueda mover la unidad a su posición. Las patas niveladoras delanteras y traseras se pueden ajustar desde el frente de la unidad una vez que se encuentren en su posición.

Retire la bandeja de drenaje de la base de la unidad para evitar que se dañe y permitir que se pueda colocar bien la plataforma rodante.

Debe quitar el ensamblaje de la rejilla antes de mover la unidad. Para extraer, gire la parte inferior de la rejilla hacia arriba. Desconecte el cable de red, luego extraiga el tornillo de montaje del centro. Afloje los tres pernos de la rejilla, luego júela hacia adelante. Revise las siguientes ilustraciones.



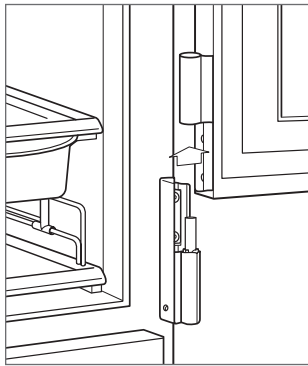
Levante la rejilla



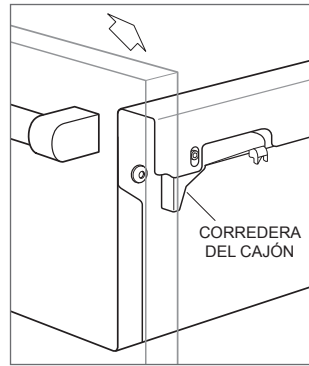
Extracción de la rejilla

Preparación

Las puertas y los cajones se pueden quitar para facilitar la instalación. No es necesario retirar la puerta ni el cajón. Para quitar una puerta, consulte la siguiente ilustración. Para quitar un cajón, tire del cajón hacia afuera a la extensión completa. Aplique presión hacia adelante en la parte delantera de la corredera del cajón, y tire hacia arriba y hacia atrás del asa del cajón. Consulte la siguiente ilustración.



Extracción de la puerta



Retiro del cajón

Soporte antivuelco

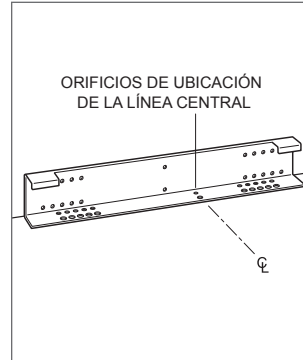
⚠ ADVERTENCIA

Para evitar que la unidad se vuelque hacia el frente, debe instalarse el soporte antivuelco.

⚠ ADVERTENCIA

Para evitar un peligro debido a la inestabilidad del aparato, debe fijarse de acuerdo con las instrucciones.

Utilice los orificios de ubicación de la línea central para colocar el soporte antivuelco en el centro de la abertura. El soporte se debe colocar a 24" (610) desde el frente de la abertura hasta la parte posterior del soporte. Esta profundidad aumentará a 26" (660) en una instalación empotrable. No colocar correctamente el soporte antivuelco impedirá que la unidad quede bien enganchada.



Soporte antivuelco

Soporte antivuelco

Utilice todas las piezas de montaje de los soportes antivuelco de acuerdo con las instrucciones para suelos de madera o de concreto.

AVISO IMPORTANTE: Para aplicaciones en suelo de madera o de concreto, si los tornillos del # 12 no alcanzan un travesaño o la placa de pared, utilice tornillos del # 8 y arandelas del # 12 con los anclajes de pared.

AVISO IMPORTANTE: En algunas instalaciones el contrapiso o el suelo terminado pueden necesitar inclinar los tornillos utilizados para sujetar el soporte antivuelco a la pared del fondo.

PIEZAS DE MONTAJE ANTIVUELCO

1	Soporte antivuelco
12	Tornillos de cabeza plana de #12 x 2½"
3	Anclas de cuña de ¾" - 16 x 3¾"
12	Arandelas planas #12
3	Tornillos de cabeza segmentada de #8-18 x 1¼"
3	Anclajes Nylon Zip-it® para pared

APLICACIÓN EN SUELO DE MADERA

Después de ubicar apropiadamente el soporte antivuelco en la abertura, taladre los orificios guía con un diámetro máximo de ⅜" (5) en los travesaños o en la placa de la pared. Utilice los tornillos #12 y las arandelas para sujetar el soporte. Compruebe que los tornillos penetren a través de los travesaños o la placa de la pared como mínimo ¾" (19). Consulte la tabla y la ilustración siguientes.

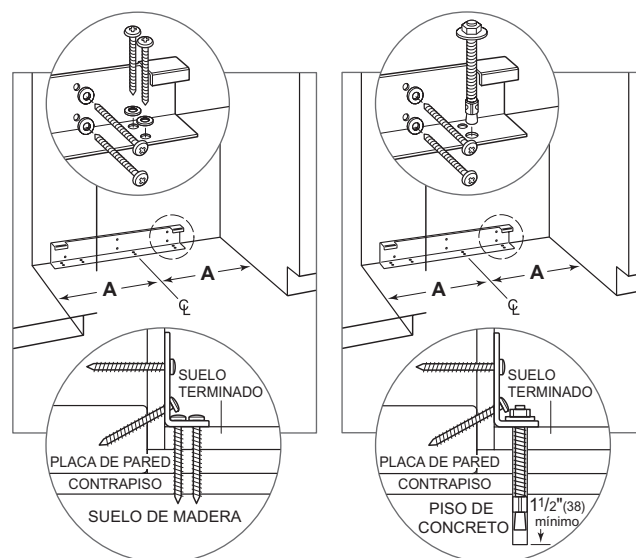
APLICACIÓN EN PISO DE CONCRETO

Después de ubicar apropiadamente el soporte antivuelco en la abertura, taladre los orificios guía con un diámetro máximo de ⅜" (5) en los travesaños o en la placa de la pared. Taladre orificios con un diámetro de ⅜" (10) en el concreto con una profundidad de 1½" (38) como mínimo. Utilice los tornillos #12 y las arandelas para sujetar el soporte a la pared, y utilice las anclas de cuña de ¾" para sujetar el soporte al suelo. Compruebe que los tornillos penetren a través de los travesaños o la placa de la pared como mínimo ¾" (19). Consulte la tabla y la ilustración siguientes.

COLOCACIÓN DEL SOPORTE ANTIVUELCO

A

Modelo de 36"	17¾" (451)
Modelo de 48"	23¾" (603)



Suelo de madera

Suelo de concreto

Soporte antivuelco

INSTALACIÓN DE LAS ANCLAS DE CUÑA PARA CONCRETO

- 1 Haga un orificio de $\frac{3}{8}$ " (10) de diámetro con una profundidad superior al empotrado mínimo. Limpie el orificio o continúe taladrando para hacer el orificio más profundo y que quepan los residuos en él.
- 2 Coloque la arandela y la tuerca al nivel del extremo del ancla para proteger las roscas. Inserte el ancla a través del material que va a fijar hasta que la arandela quede al ras del material de la superficie.
- 3 Para expandir el ancla gire la tuerca de 3 a 5 vueltas para ajustarla hasta que quede bien apretada o a 25 libras-pie de torsión.

⚠ ADVERTENCIA

Verifique que no haya cables eléctricos o tuberías en la zona donde va a introducir los tornillos.

⚠ PRECAUCIÓN

Utilice siempre gafas de seguridad y otros dispositivos o prendas de protección que sean necesarios al instalar o trabajar con anclas.

No se recomienda el uso de anclas en material de mampostería poco pesado, como son los bloques o ladrillos; tampoco se recomienda utilizarlos en concreto fresco que no haya tenido tiempo suficiente para curar. No se recomienda el uso de brocas huecas para hacer los orificios para el ancla.

Colocación

⚠ PRECAUCIÓN

Antes de mover la unidad a su posición, asegúrese de que las puertas y cajones estén cerrados y proteja cualquier suelo con acabado.

Use una plataforma rodante para mover la unidad cerca de la abertura.

Si la unidad ha estado o está acostada o de lado, debe ponerla de pie y dejarla así durante un mínimo de 24 horas antes de conectarla al suministro eléctrico.

Conecte el cable de alimentación a la conexión a tierra y coloque la unidad en su sitio. Compruebe que el soporte antivuelco esté bien enganchado.

⚠ ADVERTENCIA

Al colocar el aparato, asegúrese de que el cable de alimentación no esté atrapado o dañado.

Línea de agua

Debe conectar un tubo de plástico de aproximadamente 3' (.9 m) de 1/4" a la unidad con una conexión de compresión de 1/4" previamente ensamblada debajo de la unidad. El kit para instalar la conexión de la tubería de agua, que viene con la unidad, contiene un accesorio para unión de compresión de 1/4" para conectarlo a la toma de agua doméstica.

Purgue la línea de agua antes de hacer la conexión final a la unidad. Esto eliminará cualquier residuo que pueda haber quedado en la tubería al instalar la nueva línea de agua.

Coloque la manga y la tuerca en la toma de agua y sujételos a la conexión en el extremo de la tubería. No apriete demasiado. Revise todos los accesorios de la línea de agua para detectar fugas. Compruebe si puede instalar y quitar la bandeja de drenaje sin interferir en la línea de agua.

AVISO IMPORTANTE: Si utiliza un sistema de ósmosis inversa, se recomienda desviar el sistema de filtración de agua mediante la extracción del filtro.

AVISO IMPORTANTE: Las líneas de agua no pueden quedar expuestas a temperaturas de congelación.

⚠ ADVERTENCIA

Conectar solo al suministro de agua potable.

Alineación

NIVELACIÓN

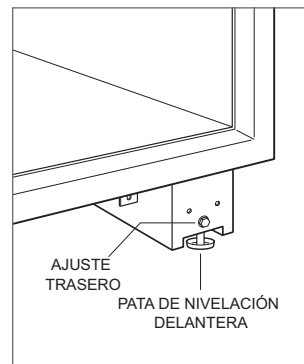
Una vez que la unidad está en posición, gire las patas niveladoras delanteras en sentido de las manecillas del reloj para ajustar la altura. El ajuste de la altura de la parte trasera se puede realizar desde la parte delantera de la base rodante. Con un vaso de 3/8" gire 3/8" el perno hexagonal en sentido de las manecillas del reloj para levantar la unidad o en sentido opuesto a las manecillas del reloj para bajarla. Utilice la velocidad más baja de torsión cuando utilice un taladro eléctrico. No ajuste las patas niveladoras traseras con la mano. Consulte la siguiente ilustración.

Cuando la unidad está bien nivelada, no es tan necesario ajustar de las puertas y los cajones.

AVISO IMPORTANTE: Nivele la unidad con el suelo, no con los gabinetes que la rodean. Esto podría afectar el funcionamiento de la unidad, por ejemplo, el cerrado de la puerta.

⚠ ADVERTENCIA

Para reducir la posibilidad de que la unidad se vuelque hacia adelante, las patas niveladoras delanteras deben estar en contacto con el suelo.



Nivelación

Alineación

AJUSTE DE LA PUERTA

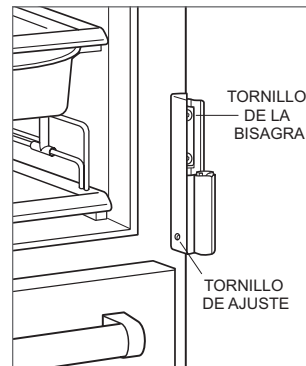
Las puertas son ajustables hacia adentro y hacia afuera, hacia arriba y hacia abajo, y de lado a lado. Los ajustes hacia adentro y hacia afuera y hacia arriba y hacia abajo se hacen en la puerta. Los ajustes de lado a lado se hacen en las bisagras del gabinete. Para hacer cualquier ajuste, extraiga la puerta y los pasadores de bisagra. Consulte la siguiente ilustración.

Ajuste hacia adentro y hacia afuera y hacia arriba y hacia abajo:

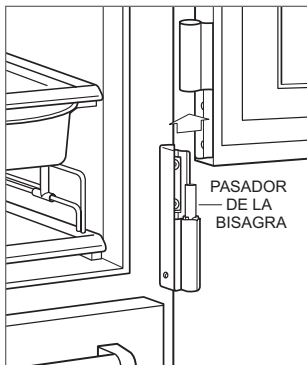
- 1 Coloque la puerta sobre una superficie de trabajo protegida, luego afloje los dos tornillos de montaje de la bisagra superior.
- 2 Extraiga los dos tornillos de montaje de la bisagra inferior, luego extraiga la bisagra inferior.
- 3 Extraiga el tornillo de posicionamiento de la parte inferior de la puerta, luego use el pasador de ajuste para realizar los ajustes hacia arriba y hacia abajo y hacia adentro y hacia afuera. Consulte la siguiente ilustración. Cada ubicación de orificio vertical ajusta la puerta a $\frac{1}{32}$ " (1). Los orificios ranurados permiten el ajuste hacia adentro y hacia afuera.
- 4 Una vez que se completen los ajustes, instale y apriete el tornillo.

Ajuste de lado a lado:

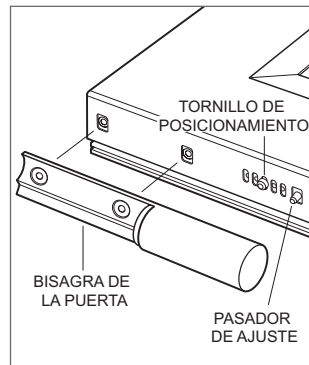
- 1 Afloje los dos tornillos de montaje en la bisagra del gabinete superior o inferior. Consulte la siguiente ilustración.
- 2 Use una llave Allen para girar el tornillo de ajuste.
- 3 Compruebe que la bisagra esté paralela al lado de la unidad, luego apriete los tornillos de montaje.
- 4 Instale los pasadores de bisagra y la puerta, luego compruebe la alineación de la puerta.



Ajuste de la bisagra del gabinete



Extracción de la puerta



Ajuste de la puerta

Alineación

AJUSTE DE LOS CAJONES

Ajuste hacia arriba y hacia abajo:

- 1 Use una llave hexagonal para girar el tornillo del ajuste hacia arriba y hacia abajo en sentido contrario a las agujas del reloj para levantar la unidad y en sentido de las manecillas del reloj para bajarla. Consulte la siguiente ilustración.

Ajuste de lado a lado:

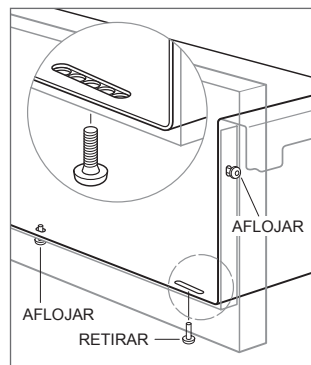
- 1 Use una llave hexagonal para girar el tornillo de ajuste. Consulte la siguiente ilustración.
- 2 Ambas carretillas de cajón deben ajustarse de igual forma para lograr el movimiento. Por ejemplo, si el tornillo de la carretilla derecha giró en sentido de las manecillas del reloj, gire el tornillo de la carretilla izquierda de igual forma en sentido contrario a las manecillas del reloj.

Ajuste de giro:

- 1 Afloje los tornillos de los lados, de la parte inferior y del centro. Consulte la siguiente ilustración.
- 2 Extraiga el tornillo de la esquina del cajón que está fuera de ajuste.
- 3 Mueva el frente del cajón hacia adentro y hacia afuera con la mano.
- 4 Instale el tornillo en la parte inferior del cajón. Cada ubicación de orificio ajusta la puerta hacia adentro o hacia afuera por $\frac{1}{32}$ " (1).
- 5 Apriete los tornillos de los lados, de la parte inferior y del centro.



Ajuste de los cajones



Ajuste de giro del cajón

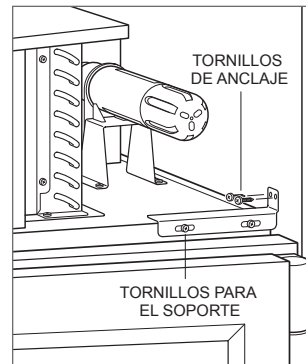
Finalización

ANCLAJE

Después de nivelar la unidad y completar el ajuste de la puerta y el cajón, fije la unidad a la abertura para asegurarse de que esté bien ajustada y la instalación sea segura.

Para anclar la unidad:

- 1 Afloje los tornillos para el soporte de montaje en la parte superior de la unidad, luego deslice los soportes de montaje al lado hasta que hagan contacto con los lados de la abertura. Instale soporte adicional si es necesario. Consulte la siguiente ilustración.
- 2 Asegure los soportes con los tornillos de anclaje que se proporcionan, luego apriete los tornillos para el soporte de montaje.



Anclaje

Finalización

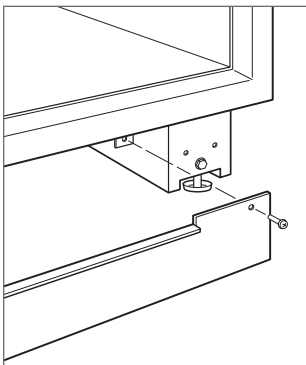
Instale el conjunto de la rejilla y verifique que se ajuste adecuadamente. Vuelva a conectar el cable de red. Consulte la página 7. Una el cable de red a la rejilla con los sujetacables que vienen incluidos.

Vuelva a instalar la bandeja de drenaje y compruebe que esté bien puesta.

Instale el zócalo y sujételo a los soportes con los tornillos dentro de cada una de las bases rodantes. Consulte la siguiente ilustración. El zócalo debe ser desmontable para sacarlo cuando sea necesario hacerle servicio a la máquina. El suelo no debe interferir al desmontarlo.

Instale las cubiertas de las patas.

Para la puesta en marcha inicial, pulse y mantenga presionado el botón de **POWER** (encendido) en cualquiera de las pantallas táctiles externas, situadas en la rejilla.



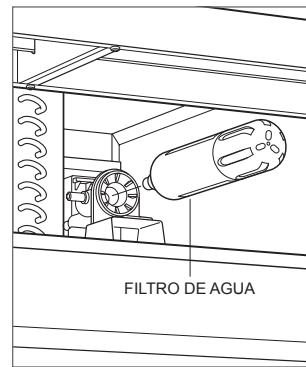
Instalación del zócalo

DESVIACIÓN DEL FILTRO DE AGUA

Si no va a utilizar el sistema de filtrado, puede colocarlo en el modo de desviación al quitar el filtro de agua.

Para quitar el filtro de agua:

- 1 Para acceder al filtro de agua, gire la parte inferior de la rejilla hacia arriba.
- 2 Para extraer el filtro, gírelo un cuarto en sentido opuesto de las manecillas del reloj y jálelo. Consulte la siguiente ilustración.



Extracción del filtro de agua

Finalización

TOPE PARA PUERTA A 90°

La(s) puerta(s) de todos los modelos abre(n) a 135°. Las instalaciones en las que se debe limitar la abertura de la puerta disponen de un juego de topes de 90° para puertas a través de un distribuidor autorizado de Sub-Zero. Para obtener más información acerca de los distribuidores locales, consulte la sección "encuentre una sala de exhibición" en nuestra página web subzero.com.

ADVERTENCIA

Siga todas las leyes estatales y locales para almacenar, reciclar o desechar los refrigeradores y congeladores no utilizados.

Table des matières

- 3 Réfrigération série PRO
- 4 Dimensions de l'ouverture
- 6 Électricité
- 7 Plomberie
- 7 Préparation
- 8 Support antibasculement
- 10 Emplacement
- 11 Tuyau d'alimentation en eau
- 11 Alignement
- 13 Achèvement

Les caractéristiques et les spécifications peuvent être modifiées en tout temps sans préavis. Visitez subzero.com/specs pour obtenir les renseignements les plus récents.

Remarque importante

Pour s'assurer que ce produit est installé et utilisé en toute sécurité et aussi efficacement que possible, prenez note des types de renseignement mis en évidence tout au long de ce guide :

REMARQUE IMPORTANTE met en évidence des renseignements qui sont particulièrement importants.

▲ MISE EN GARDE

Indique une situation où une blessure mineure ou des dommages au produit peuvent se produire si les directives ne sont pas respectées.

▲ AVERTISSEMENT

Décrit un danger qui peut causer une blessure grave ou la mort si les précautions ne sont pas respectées.

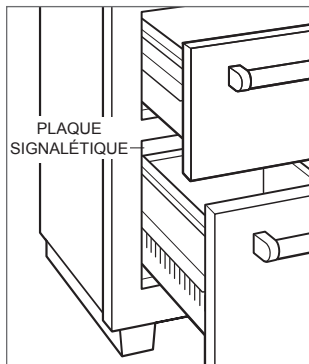
REMARQUE IMPORTANTE : Tout au long de ce guide, les dimensions entre parenthèses sont en millimètres à moins d'indication contraire.

REMARQUE IMPORTANTE : Conservez ces directives pour l'inspecteur en électricité local.

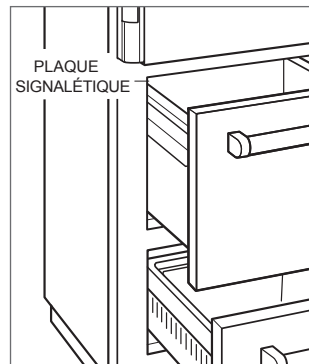
Renseignements sur le produit

Des renseignements importants sur le produit, y compris les numéros de modèle et de série, se trouvent sur la plaque signalétique du produit. La plaque signalétique est située à l'intérieur de l'armoire, fixée sur la paroi intérieure gauche du tiroir inférieur. Reportez-vous à l'illustration ci-dessous.

Si vous avez besoin de service, communiquez avec le service Sub-Zero certifié par l'usine avec les numéros de modèle et de série. Pour obtenir le nom du centre de service Sub-Zero certifié par l'usine le plus près de chez vous ou si vous avez des questions concernant l'installation, visitez la section Support produit de notre site Web, subzero.com ou appelez le service à la clientèle de Sub-Zero au 800-222-7820.



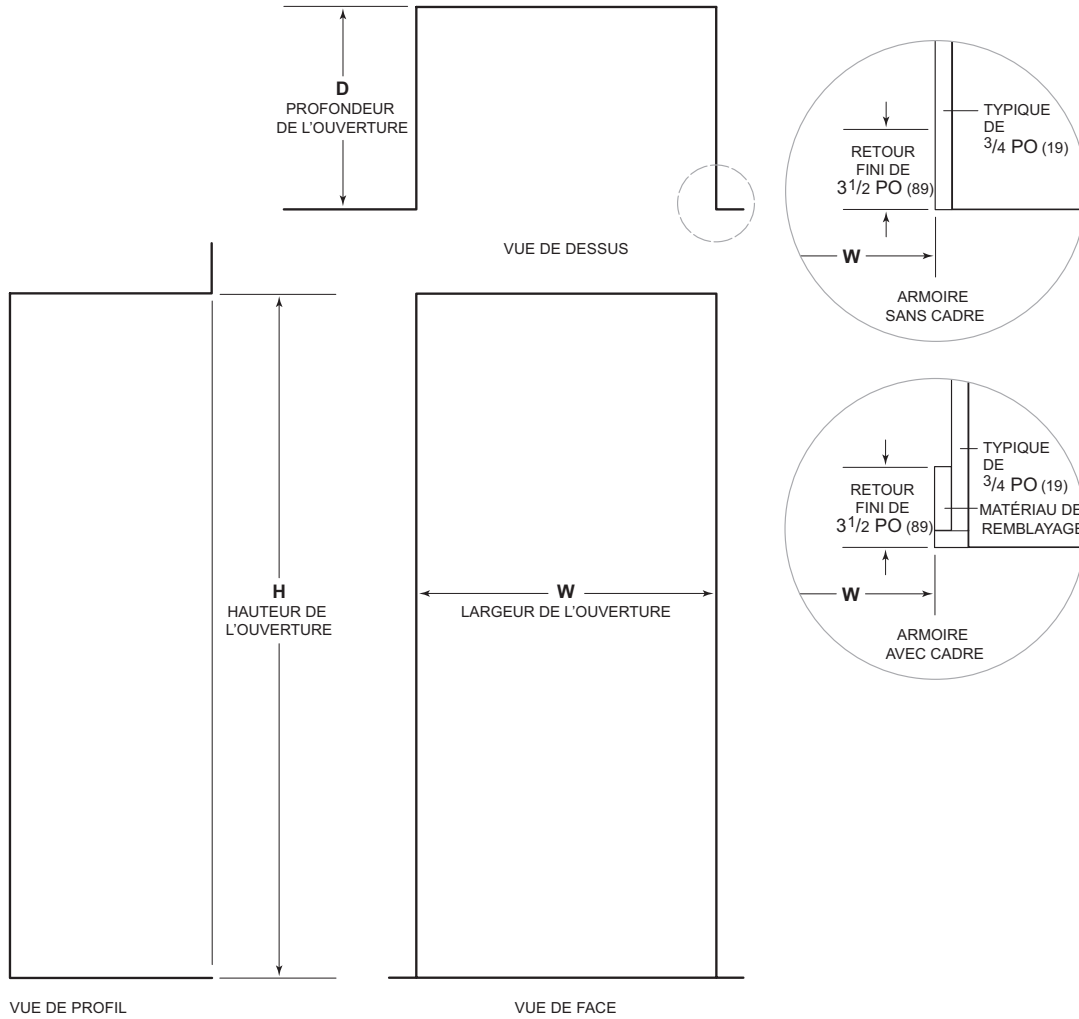
Emplacement de la plaque signalétique pour les modèles 36 po



Emplacement de la plaque signalétique pour les modèles 48 po

Dimensions de l'ouverture

INSTALLATION À AFFLEUREMENT | STANDARD



REMARQUE : Les retours finis de 3 1/2 po (89) seront visibles et doivent être finis pour s'agencer aux armoires.

OUVERTURE STANDARD

	W	H	D
Modèle de 36 po	35 1/2 po (902)	83 3/4 po (2 127)	24 po (610)
Modèle de 48 po	47 1/2 po (1 206)	83 3/4 po (2 127)	24 po (610)

Pour les installations standards, le cadre de la façade se prolongera de 2 po (51) au-delà des armoires.

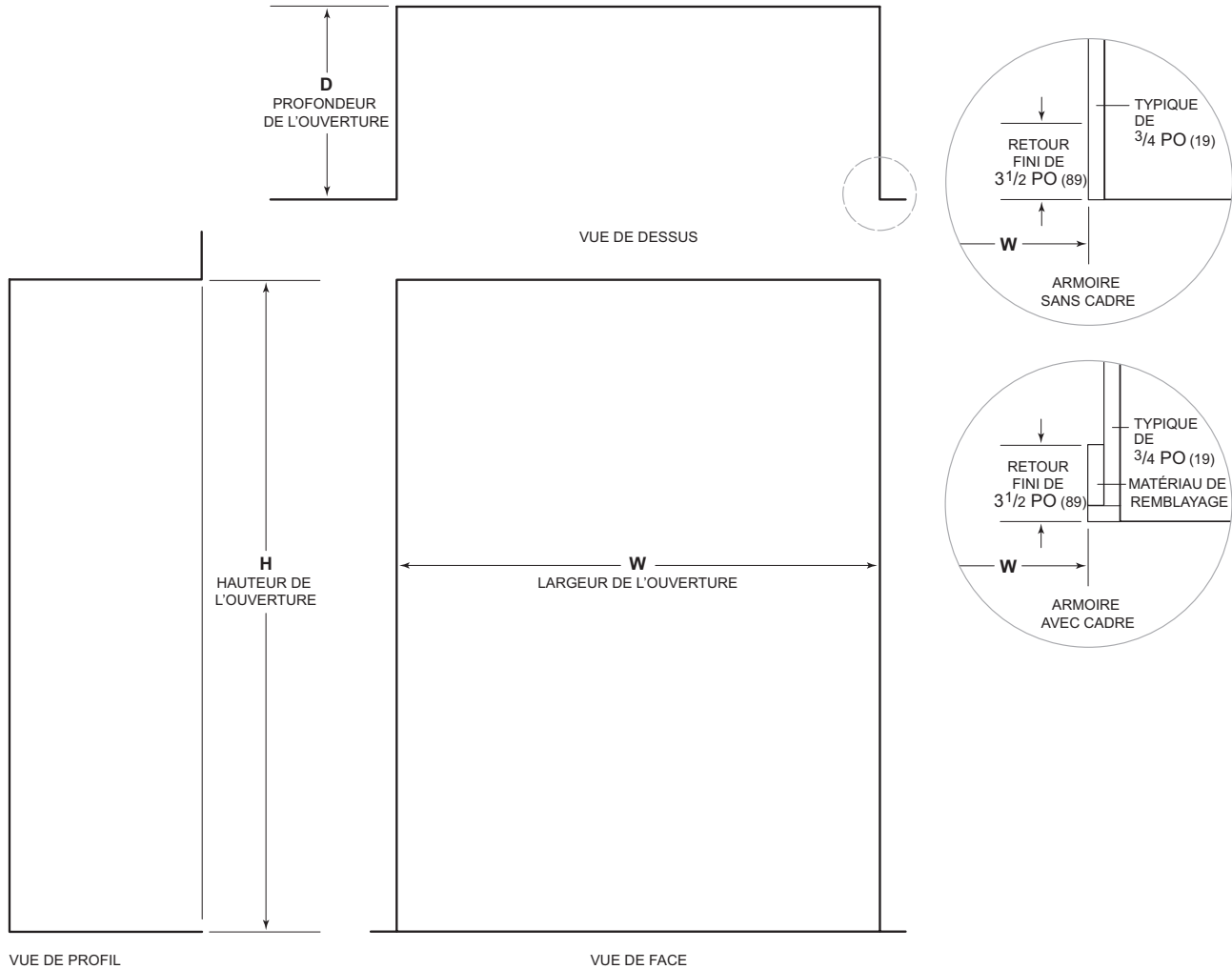
OUVERTURE À AFFLEUREMENT

	W	H	D
Modèle de 36 po	36 po (914)	84 1/8 po (2 137)	26 po (660)
Modèle de 48 po	48 po (1 219)	84 1/8 po (2 137)	26 po (660)

Pour les installations à affleurement, le cadre de la façade sera à égalité avec les armoires.

Dimensions de l'ouverture

INSTALLATION DOUBLE À AFFLEUREMENT | STANDARD



REMARQUE : Les retours finis de 3 1/2 po (89) seront visibles et doivent être finis pour s'agencer aux armoires.

OUVERTURE DOUBLE STANDARD

	W	H	D
Deux modèles de 36 po	71 1/2 po (1 816)	83 3/4 po (2 127)	24 po (610)

Pour les installations standards, le cadre de la façade se prolongera de 2 po (51) au-delà des armoires. Une trousse d'installation double est requise pour cette installation.

OUVERTURE DOUBLE À AFFLEUREMENT

	W	H	D
Deux modèles de 36 po	72 po (1 829)	84 1/8 po (2 137)	26 po (660)

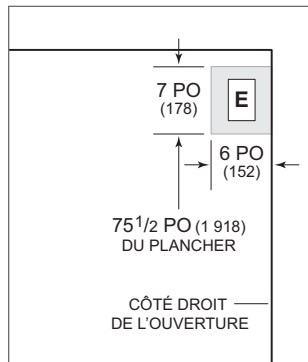
Pour les installations à affleurement, le cadre de la façade sera à égalité avec les armoires. Une trousse d'installation double est requise pour cette installation.

Exigences électriques

L'installation doit se conformer à tous les codes électriques applicables. L'alimentation électrique doit se trouver à l'intérieur de la zone ombragée indiquée dans l'illustration ci-dessous. Un circuit séparé servant uniquement cet appareil est requis. Un disjoncteur de fuite de terre (GFCI) n'est pas recommandé et peut interrompre le fonctionnement.

EXIGENCES ÉLECTRIQUES

Alimentation électrique	115 volts CA, 60 Hz
Service	Circuit dédié de 15 ampères
Prise	Mise à la terre à trois broches



Emplacement de l'alimentation électrique

⚠ MISE EN GARDE

La prise doit être vérifiée par un électricien qualifié pour s'assurer qu'elle est câblée avec la polarité appropriée. Assurez-vous que la prise est correctement mise à la terre.

⚠ AVERTISSEMENT

Si le cordon d'alimentation est endommagé, il doit être remplacé par le fabricant, son agent de service ou des personnes de qualification similaire afin d'éviter tout danger.

⚠ AVERTISSEMENT

N'utilisez pas une rallonge, un adaptateur à deux broches et ne retirez pas la broche de mise à la terre du cordon d'alimentation.

⚠ AVERTISSEMENT

Ne placez pas plusieurs prises de courant portables ou blocs d'alimentation portables à l'arrière de l'appareil.

Exigences de plomberie

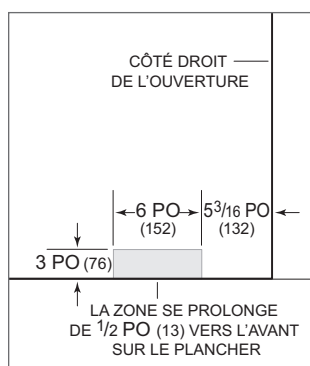
L'installation doit se conformer à tous les codes de plomberie applicables.

Le tuyau d'alimentation en eau doit se trouver à l'intérieur de la zone ombragée indiquée dans l'illustration ci-dessous. La conduite d'alimentation en eau doit être reliée à l'alimentation de la maison avec un robinet d'arrêt facilement accessible. N'utilisez pas des vannes à auto-perçage. Le tuyau d'alimentation en eau ne doit pas nuire à l'installation du support antibasculement.

Un système à osmose inverse peut être utilisé à condition qu'il y ait une pression d'eau constante de 35 à 120 lb/po² (2,4 à 8,3 bars) vers l'unité en tout temps. Dans cette application, le système de filtration doit être dérivé en retirant le filtre. Une conduite en cuivre n'est pas recommandée pour cette application.

EXIGENCES DE PLOMBERIE

Alimentation en eau	Tube PEX, en acier inoxydable tressé ou en cuivre de 1/4 po de diamètre extérieur
Pression	35-120 lb/po ² (2,4-8,3 bars)
Conduite supplémentaire pour connexion	36 po (914)



Emplacement de l'alimentation en eau

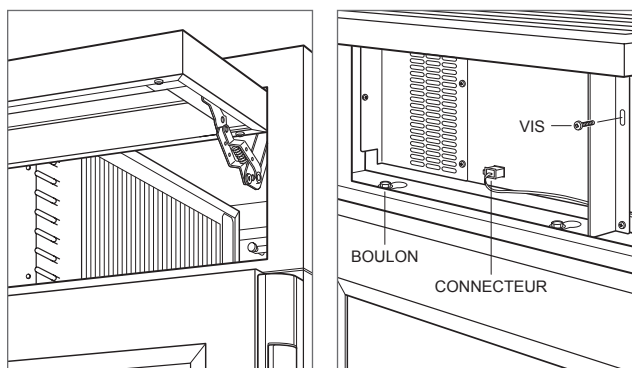
Préparation

Sortez l'unité de la boîte et examinez-la pour vous assurer qu'elle n'est pas endommagée. Retirez la base en bois et jetez les boulons et les supports d'expédition. Retirez et recyclez les matériaux d'emballage. Ne jetez pas la plaque de protection, le support antibasculement et la quincaillerie.

Rentrez complètement les pieds de nivellement avant afin de pouvoir déplacer l'unité jusqu'à son emplacement. Les pieds de nivellement avant et arrière peuvent être réglés à partir de l'avant lorsque l'unité est en place.

Retirez la cuvette d'égouttement de la base de l'unité pour éviter de l'endommager et permettre de bien placer le chariot à appareil.

L'assemblage de la grille doit être retiré avant de déplacer l'unité. Pour retirer, pivotez le fond de la grille vers le haut. Débranchez le câble de réseau, puis retirez la vis de montage centrale. Desserrez les trois boulons de la grille, puis tirez la grille vers l'avant. Reportez-vous aux illustrations ci-dessous.

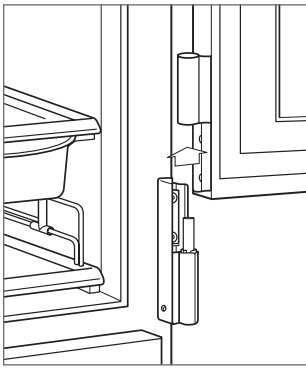


Grille de gauche

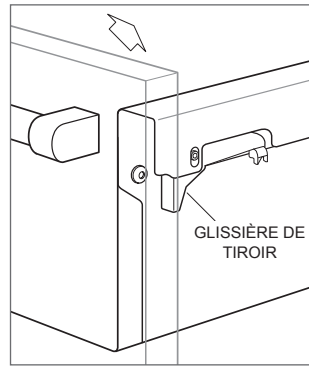
Retrait de la grille

Préparation

Les portes et les tiroirs peuvent être enlevés pour faciliter l'installation. L'enlèvement de la porte et du tiroir n'est pas nécessaire. Pour enlever une porte, reportez-vous à l'illustration ci-dessous. Pour retirer un tiroir, tirez-le à pleine extension. Appliquez une pression avant sur la glissière du tiroir et tirez sur la poignée du tiroir. Reportez-vous à l'illustration ci-dessous.



Retrait de la porte



Retrait du tiroir

Support antibasculement

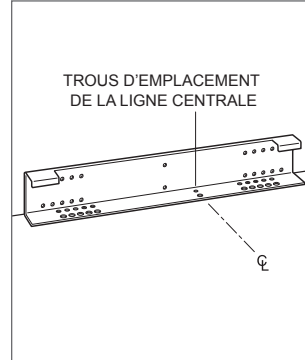
⚠ AVERTISSEMENT

Pour empêcher l'unité de basculer vers l'avant, le support antibasculement doit être installé.

⚠ AVERTISSEMENT

Pour éviter tout danger dû à l'instabilité de l'appareil, celui-ci doit être fixé conformément aux instructions.

Utilisez les trous de localisation de la ligne centrale pour placer le support antibasculement au centre de l'ouverture. Le support doit être placé à une distance de 24 po (610) de l'avant de l'ouverture jusqu'à l'arrière du support. Cette profondeur passe à 26 po (660) pour une installation à affleurement. Si le support antibasculement n'est pas aligné adéquatement, il ne s'enclenchera pas correctement.



Support antibasculement

Support antibasculement

Utilisez toute la quincaillerie pour le support antibasculement selon les directives pour les planchers en bois ou en béton.

REMARQUE IMPORTANTE : Pour les applications sur des planchers en bois ou en béton, si les vis n° 12 ne touchent pas un poteau mural ou une plaque murale, utilisez les vis n° 8 et les rondelles n° 12 avec les dispositifs d'ancrage au mur.

REMARQUE IMPORTANTE : Dans certaines installations, le sous-plancher ou le plancher fini peuvent nécessiter l'inclinaison des vis utilisées pour fixer le support antibasculement au mur arrière.

QUINCAILLERIE ANTIBASCULEMENT

1	Support antibasculement
12	Vis à tête cylindrique bombée n°12 x 2½ po
3	Cales d'ancrage de ¾ po – 16 x ¾ po
12	Rondelles plates n°12
3	Vis à tête bombée n°8 – 18 x 1¼ po
3	Dispositifs d'ancrage au mur à glissière en nylon Zip-it®

APPLICATION SUR UN PLANCHER EN BOIS

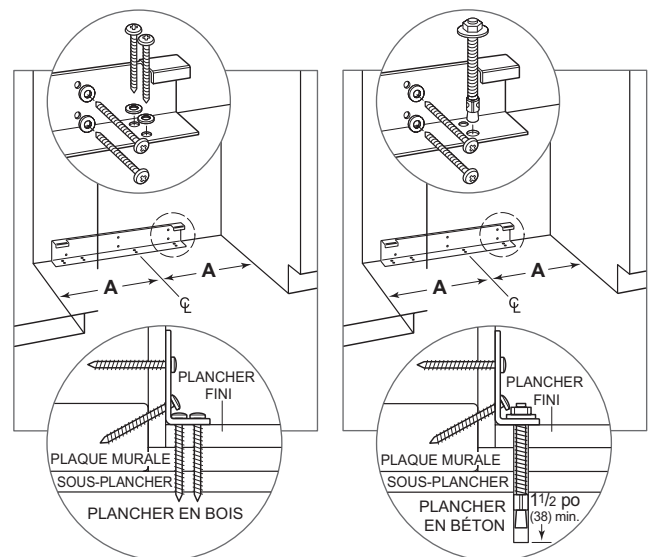
Après avoir correctement placé le support antibasculement dans l'ouverture, percez des avant-trous de ¾ po (5) de diamètre au maximum dans les poteaux muraux ou la plaque murale. Utilisez les vis et les rondelles n° 12 pour fixer le support. Vérifiez que les vis pénètrent dans le matériau du plancher et dans les poteaux muraux ou la plaque murale d'une distance d'au moins ¾ po (19). Reportez-vous au tableau et à l'illustration ci-dessous.

APPLICATION SUR UN PLANCHER EN BÉTON

Après avoir correctement placé le support antibasculement dans l'ouverture, percez des avant-trous de ¾ po (5) de diamètre au maximum dans les poteaux muraux ou la plaque murale. Percez des trous de ¾ po (10) de diamètre dans le béton d'une profondeur d'au moins 1½ po (38). Utilisez les vis et les rondelles n° 12 pour fixer le support au mur et utilisez les cales d'ancrage de ¾ po (10) pour fixer le support au plancher. Vérifiez que les vis pénètrent dans les poteaux muraux ou la plaque murale d'une profondeur d'au moins ¾ po (19). Reportez-vous au tableau et à l'illustration ci-dessous.

MISE EN PLACE DU SUPPORT ANTIBASCULEMENT

	A
Modèle de 36 po	17¾ po (451)
Modèle de 48 po	23¾ po (603)



Plancher en bois

Plancher en béton

Support antibasculement

INSTALLATION DE LA CALE D'ANCRAGE POUR BÉTON

- 1 Percez un trou de $\frac{3}{8}$ po (10) de diamètre de toute profondeur excédant le noyage minimum. Nettoyez le trou ou continuez à percer plus profondément pour accommoder les fines de perçage.
- 2 Assemblez la rondelle et l'écrou à égalité avec l'extrémité de la cale d'ancrage pour protéger les filets. Enfoncez la cale d'ancrage dans le matériau à fixer jusqu'à ce que la rondelle soit à égalité avec la surface du matériau.
- 3 Ouvrez la cale d'ancrage en serrant l'écrou de trois à cinq tours au-delà de la position serrée à la main ou un couple de 25 pi-lb.

⚠ AVERTISSEMENT

Vérifiez qu'il n'y ait pas de fils électriques ou de plomberie dans la zone qui pourraient être pénétrés par les vis.

⚠ MISE EN GARDE

Portez toujours des lunettes de sécurité et utilisez d'autres dispositifs ou vêtements de protection nécessaires lors de l'installation ou du travail avec des dispositifs d'ancrage.

Il n'est pas recommandé d'utiliser des dispositifs d'ancrage dans de la maçonnerie légère comme des blocs ou de la brique, ou dans du nouveau béton qui n'a pas eu assez de temps pour sécher. L'utilisation de forets-aléseurs n'est pas recommandée pour percer les trous des cales d'ancrage.

Mise en place

⚠ MISE EN GARDE

Avant de mettre l'unité en place, sécurisez les portes et les tiroirs en position fermée et protégez tout plancher fini.

Utilisez un chariot à appareil pour déplacer l'unité près de l'ouverture.

Si l'unité a été posée sur le dos ou le côté, elle doit être mise debout pendant au moins 24 heures avant de relier l'alimentation.

Branchez le cordon d'alimentation dans une prise mise à la terre et roulez l'unité en place. Vérifiez que le support antibasculement est correctement enclenché.

⚠ AVERTISSEMENT

Lors du positionnement de l'appareil, assurez-vous que le cordon d'alimentation n'est pas coincé ou endommagé.

Tuyau d'alimentation en eau

Approximativement 3 pi (0,9 m) de tube en plastique de 1/4 po est relié à l'unité au moyen d'une connexion de compression pré-assemblée de 1/4 po sous l'unité. La trousse de connexion du raccord du tuyau d'alimentation en eau, fournie avec l'unité comprend un raccord d'union de compression de 1/4 po pour relier jusqu'au tuyau d'alimentation en eau de la résidence.

Purgez le tuyau d'alimentation en eau avant d'effectuer la dernière connexion vers l'unité. Ceci éliminera tous les débris qui pourraient se trouver dans le tube suite à l'installation du nouveau tuyau d'alimentation en eau.

Placez l'écrou et le manchon sur le tuyau d'alimentation en eau et fixez à la connexion à l'extrémité du tube. Ne serrez pas trop. Vérifiez que tous les raccords du tuyau d'alimentation en eau n'aient pas de fuites. Vérifiez que la cuvette d'égouttement puisse être installée et retirée sans interférence de la part du tuyau d'alimentation eau.

REMARQUE IMPORTANTE : Si un système à osmose inverse est utilisé, il est recommandé que le système de filtration d'eau soit contourné en retirant le filtre.

REMARQUE IMPORTANTE : Les tuyaux d'alimentation en eau ne doivent pas être exposés au gel.

▲ AVERTISSEMENT

Connectez-vous à l'alimentation en eau potable uniquement.

Alignement

NIVELLEMENT

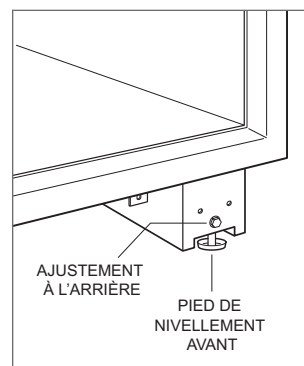
Une fois l'unité en position, tournez les pieds de nivellement avant dans le sens horaire pour régler la hauteur. Le réglage de la hauteur arrière peut être effectué à partir de l'avant de la base à roulettes. Au moyen d'une douille de 3/8 po, tournez le boulon hexagonal de 3/8 po dans le sens horaire pour relever l'unité ou dans le sens antihoraire pour l'abaisser. Utilisez le réglage de couple le plus bas lorsque vous utilisez une perceuse électrique. Ne tournez pas les pieds de nivellement arrière à la main. Reportez-vous à l'illustration ci-dessous.

Lorsque l'unité est correctement mise au niveau, des réglages à la porte et au tiroir ne seront probablement pas nécessaires.

REMARQUE IMPORTANTE : Nivelez l'unité en fonction du plancher, pas des armoires environnantes. Cela pourrait affecter le fonctionnement de l'unité, comme la fermeture de la porte.

▲ AVERTISSEMENT

Afin de réduire le risque de basculement vers l'avant de l'unité, les pieds de nivellement avant doivent être en contact avec le sol.



Nivellement

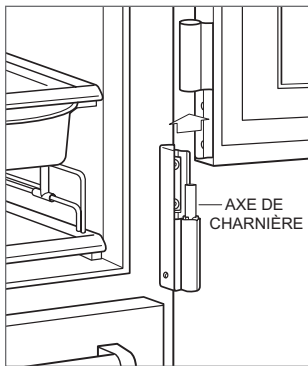
Alignement

RÉGLAGE DE LA PORTE

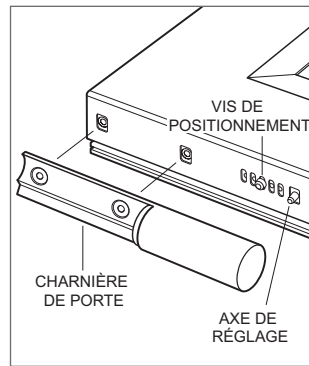
Les portes peuvent être réglées vers l'intérieur ou l'extérieur, de haut en bas et d'un côté à l'autre. Les réglages vers l'intérieur ou l'extérieur et de haut en bas sont effectués sur la porte. Les réglages d'un côté à l'autre sont effectués sur les charnières d'armoire. Pour effectuer des réglages, retirez la porte et les axes de charnière. Reportez-vous à l'illustration ci-dessous.

Réglage vers l'intérieur ou l'extérieur et de haut en bas :

- 1 Placez la porte sur une surface de travail protégée, puis desserrez les deux vis de montage de la charnière supérieure.
- 2 Retirez les deux vis de montage de la charnière inférieure, puis retirez la charnière inférieure.
- 3 Retirez la vis de positionnement du bas de la porte, puis utilisez l'axe de réglage pour effectuer des ajustements de haut en bas et vers l'intérieur ou l'extérieur. Reportez-vous à l'illustration ci-dessous. Chaque emplacement de trou vertical déplace la porte de $\frac{1}{32}$ po (1). Les trous en fente permettent d'effectuer les réglages vers l'intérieur ou l'extérieur.
- 4 Une fois les réglages effectués, installez et serrez la vis de positionnement.



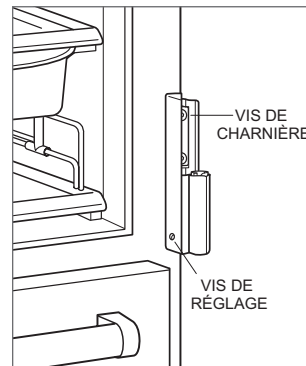
Retrait de la porte



Réglage de la porte

Réglage latéral :

- 1 Desserrez les deux vis de montage sur la charnière supérieure et/ou inférieure de l'armoire. Reportez-vous à l'illustration ci-dessous.
- 2 Utilisez une clé Allen pour pivoter la vis de réglage.
- 3 Vérifiez que la charnière soit parallèle au côté de l'unité, puis serrez les vis de montage.
- 4 Installez les axes de charnière et la porte, puis vérifiez l'alignement de la porte.



Réglage de la charnière d'armoire

Alignement

RÉGLAGE DU TIROIR

Réglage de haut en bas :

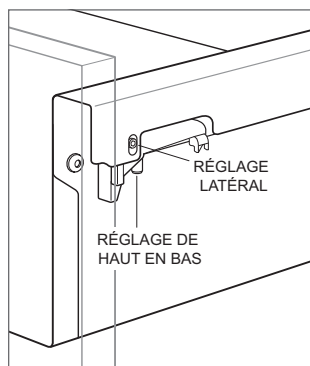
- 1 Utilisez une clé hexagonale pour tourner la vis de réglage de haut en bas dans le sens antihoraire pour relever et dans le sens horaire pour abaisser. Reportez-vous à l'illustration ci-dessous.

Réglage latéral :

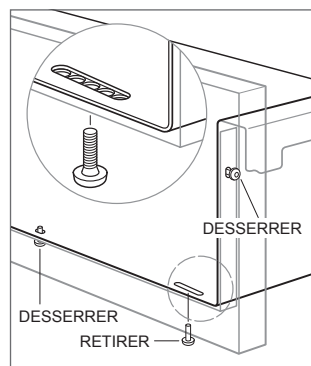
- 1 Utilisez une clé hexagonale pour tourner la vis de réglage. Reportez-vous à l'illustration ci-dessous.
- 2 Les deux glissières du tiroir doivent être réglées uniformément pour pouvoir le déplacer. Par exemple, si la vis de réglage de la glissière droite est tournée dans le sens horaire, tournez la vis de la glissière gauche de la même manière dans le sens antihoraire.

Réglage de l'inclinaison :

- 1 Desserrez les vis du centrales du côté et du bas. Reportez-vous à l'illustration ci-dessous.
- 2 Retirez la vis du coin du tiroir qui est mal réglé.
- 3 Déplacez manuellement l'avant du tiroir vers l'extérieur ou l'intérieur.
- 4 Installez la vis dans le bas du tiroir. Chaque emplacement de trou déplace la porte vers l'intérieur ou l'extérieur de $\frac{1}{32}$ po (1).
- 5 Serrez les vis centrales du côté et du bas.



Réglage du tiroir



Réglage de l'inclinaison du tiroir

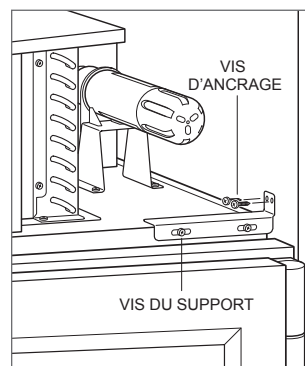
Achèvement

ANCRAGE

Une fois l'unité mise au niveau et le réglage du tiroir terminé, ancrez l'unité à l'ouverture pour assurer un ajustement adéquat et sécuriser l'installation.

Pour ancrer l'unité :

- 1 Desserrez les vis du support de montage situées dans la partie supérieure de l'unité, puis glissez les supports de montage vers le côté jusqu'à ce qu'ils entrent en contact avec les côtés de l'ouverture. Installez d'autres blocs si nécessaire. Reportez-vous à l'illustration ci-dessous.
- 2 Fixez les supports avec les vis d'ancrage fournies, puis serrez les vis des supports de montage.



Ancrage

Achèvement

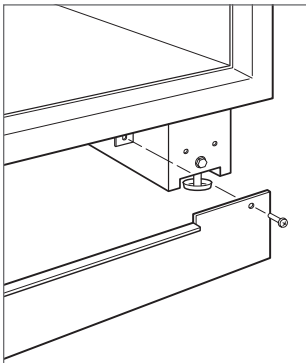
Installez l'assemblage de la grille et vérifiez son ajustement. Rebranchez le câble de réseau. Reportez-vous à la page 7. Fixez le câble de réseau à la grille au moyen des attaches de câble fournies.

Réinstallez la cuvette d'égouttement et vérifiez qu'elle se trouve à la bonne position.

Installez la plaque de protection au moyen de vis pour la fixer aux supports situés à l'intérieur de chaque base de roulettes. Reportez-vous à l'illustration ci-dessous. La plaque de protection doit pouvoir être enlevée pour toute réparation. Le plancher ne doit pas nuire à l'enlèvement.

Installez les couvercles des pieds.

Pour la mise en marche initiale, enfoncez et gardez enfoncée la touche **POWER** située sur l'écran tactile externe de la grille.



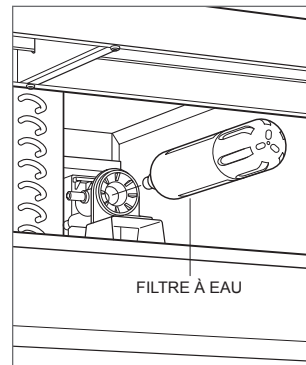
Installation de la plaque de protection

DÉRIVATION DU FILTRE À EAU

Si le système de filtration d'eau ne sera pas utilisé, il peut être contourné en retirant le filtre à eau.

Pour retirer le filtre à eau :

- 1 Pour accéder au filtre à eau, pivotez la partie inférieure de la grille vers le haut.
- 2 Pour retirer le filtre, pivotez-le dans le sens antihoraire d'un quart de tour et tirez vers l'extérieur. Reportez-vous à l'illustration ci-dessous.



Retrait du filtre à eau

Achèvement

BUTÉE DE PORTE DE 90°

Les portes de tous les modèles s'ouvrent jusqu'à 135°. Pour les installations où l'ouverture de la porte doit être limitée, une trousse pour butée de porte de 90° en option est offerte par les dépositaires Sub-Zero autorisés. Pour obtenir des renseignements sur votre dépositaire local, visitez la section salle d'exposition de notre site Web, subzero.com.

⚠ AVERTISSEMENT

Respectez toutes les lois provinciales et locales lors de l'entreposage, le recyclage ou l'élimination des réfrigérateurs et des congélateurs non utilisés.



SUB-ZERO, INC. P.O. BOX 44848 MADISON, WI 53744 SUBZERO.COM 800.222.7820

9061422 REV-A

02/2024

