

Installation Instructions

Built-in Trim Kit

Model # PMTK3080AF

BEFORE YOU BEGIN

- **IMPORTANT** – Save these instructions for local inspector's use.
- **IMPORTANT** – Observe all governing codes and ordinances.
- **Note to Installer** – Be sure to leave these instructions with the Consumer.
- **Note to Consumer** – Keep these instructions for future reference.
- **Skill level** - Installation of this appliance requires basic mechanical and electrical skills.
- Proper installation is the responsibility of the installer.
- Product failure due to improper installation is not covered under the Warranty.

Read these instructions completely and carefully.

- Please make sure the cabinet is level or vertical to front panel of cabinet before installation. Uneven cabinets may cause the trim kits to be noncoplanar with the door panels of microwave oven.
- Unplug the microwave oven before attempting installation of this kit.
- Because the kit includes metal parts, caution should be used in handling and installation to avoid the possibility of injury.
- Do not remove permanently affixed labels, warnings, or plates from the product. This may void the warranty.
- A statement shall be included in the instructions warning the user that the appliance must be disconnected from the source of supply before attempting the installation of the accessory, and that the accessory is intended for use only with an appliance that is marked to indicate such use.

FOR YOUR SAFETY:

WARNING – Before beginning the installation, switch power off at service panel and lock out to prevent being switched on accidentally. When the service cannot be locked, securely fasten a prominent warning device, such as a tag, to the service panel.

IMPORTANT - PLEASE READ AND FOLLOW

THIS BUILT-IN KIT IS DESIGNED FOR USE ONLY WITH ELECTROLUX MICROWAVE OVENS SPECIFYING BUILT-IN KIT

IMPORTANT:

Before installing the exhaust duct, confirm the floor is level. The level bubble should be equal distance from level guide lines.



QUESTIONS?

For customers in the United States call: 1-800-944-9044
For customers in Canada call: 1-800-265-8352 (English)
1-800-668-4606 ext.8199 (French)
Visit our Website at: www.frigidaire.com
READ CAREFULLY.
KEEP THESE INSTRUCTIONS.

PN: A06823831
April 2024

Installation Instructions

PARTS INCLUDED IN THE KIT

1. Front Frame Assembly- QTY 1
2. Exhaust Duct - QTY 1
 - Bottom Mounting Rail – QTY 2
3. Screw A - QTY 11+3 extra
4. Screw B - QTY 4 + 2 extra

CHOOSING A LOCATION FOR YOUR MICROWAVE OVEN IF BUILT-IN

Built-In Trim Kit allows for the installation of microwaves listed below to be built into a cabinet or wall by itself or over an electric wall oven*.

Model Number	Color	Description
PMBS3080AF/PMBS3080BF	Easy Care SS	Microwave
PMTK3080AF	Easy Care SS	30" Trim Kit

See Illustration 1 for proper location and when building in above a wall oven. Carefully follow both the wall oven installation instructions and Electrolux's Built-in Kit instructions. If building over a wall oven, be sure the clearance between the wall oven and the microwave oven is a minimum of 3 inches. See illustration 2.

*NOTE: Trim Kit and microwave can only be built-in over an electric self-clean or non self-clean single cavity wall oven.

CABINET OR WALL CUTOUT

Cutout Dimensions(See illustration 3)

Height (A)		
Minimum	16 3/4" (42.5 cm)	
Maximum	17" (43.2 cm)	
Width (B)		
Minimum	24 3/4" (62.9 cm)	
Maximum	25" (63.5 cm)	
Depth (C)		
Minimum	20" (50.8 cm)	

IMPORTANT:

Before installing the exhaust duct, confirm the floor is level. The level bubble should be equal distance from level guide lines.

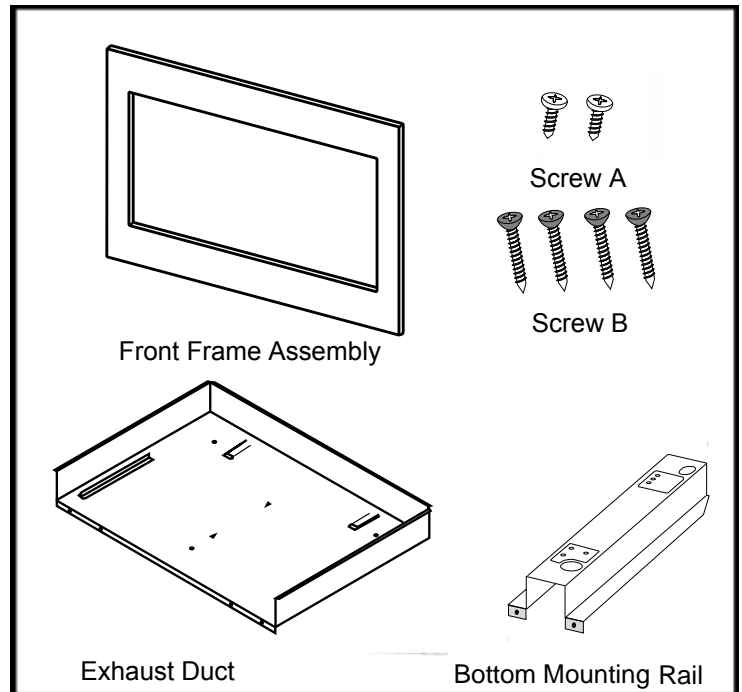


Illustration 1

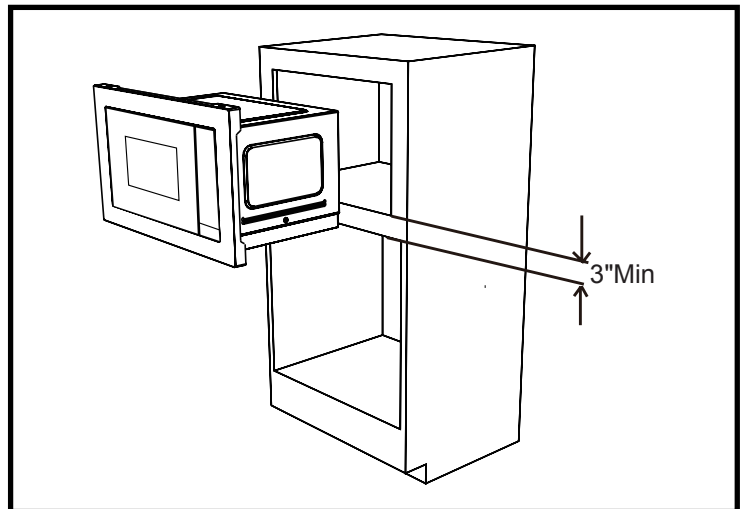


Illustration 2

Trim Kit Overall Dimensions	
	30"
Height	18" (460.8mm)
Width	30" (759mm)
Depth	1 3/5" (40.9mm)

Installation Instructions

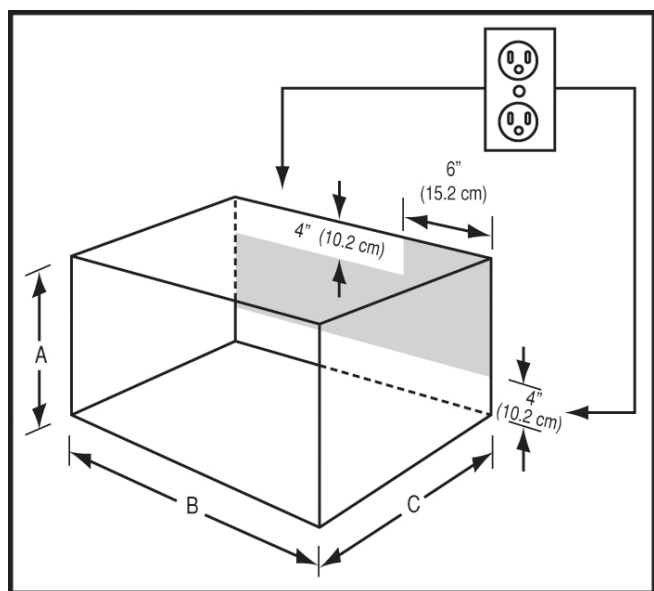


Illustration 3

ELECTRICAL OUTLET LOCATION

Outlet should NOT be in the shaded area as indicated on Illustration 3

NOTE 1:

The floor of the opening should be constructed of plywood strong enough to support the weight of the oven and floor load (approximately 100 pounds). The floor should be level for proper operation of the oven. Be sure to check the local building code as it may require that the opening be enclosed with side, ceiling and rear partition. The proper functioning of the oven does not require the enclosure.

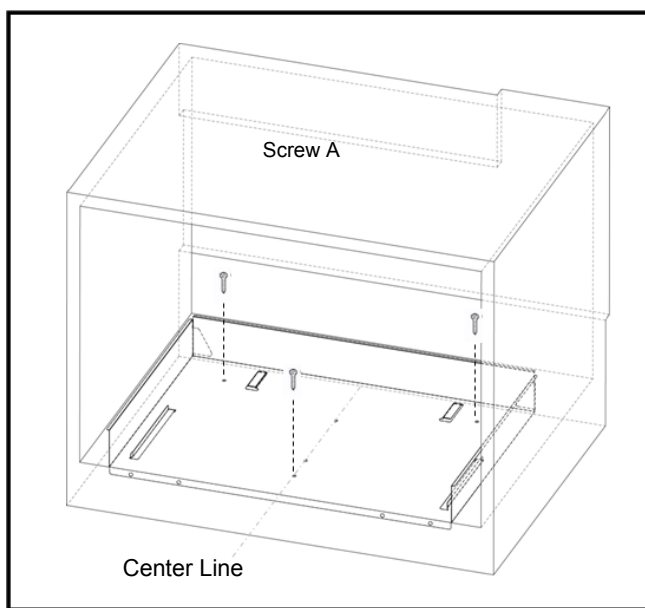


Illustration 4

EXHAUST DUCT ASSEMBLY

1. Draw a Central Line on floor. Place the Exhaust Duct in the opening. When the Exhaust Duct Assembly is in the opening correctly, the Center Line is in the middle of the Exhaust Duct Assembly. See Illustration 4.
2. Secure the Exhaust Duct Assembly with the three screws A.

IMPORTANT: Secure screws in outer hole. 3 pcs are needed for exhaust duct assembly

IMPORTANT:

Before installing the exhaust duct, confirm the floor is level. The level bubble should be equal distance from level guide lines.



Installation Instructions

Bottom Mounting Rail

Turn microwave upside down so you are looking at oven bottom. Secure the bottom Mounting Rail on oven with four SCREWS A. See Illustration 5.

NOTE: Please make sure to align the holes (marked with "36") of bottom mounting rail and the holes (marked with "36") of microwave oven's bottom plate.

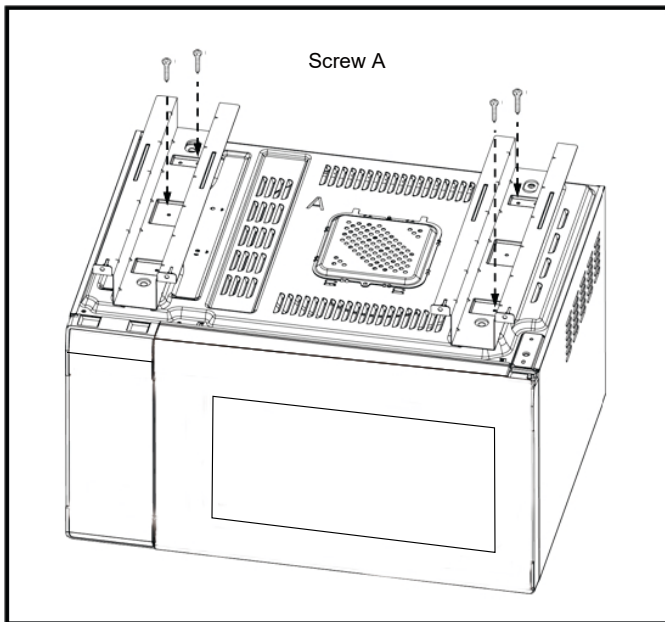


Illustration 5

OVEN INSTALLATION

1. Place the oven adjacent to the wall or cabinet opening. Plug the power cord into the electrical outlet.
2. Carefully guide the assembled oven into the prepared opening. Slide the oven on the Exhaust Duct Assembly. See Illustration 6.
3. Secure the Exhaust Duct Assembly with the four screws A.

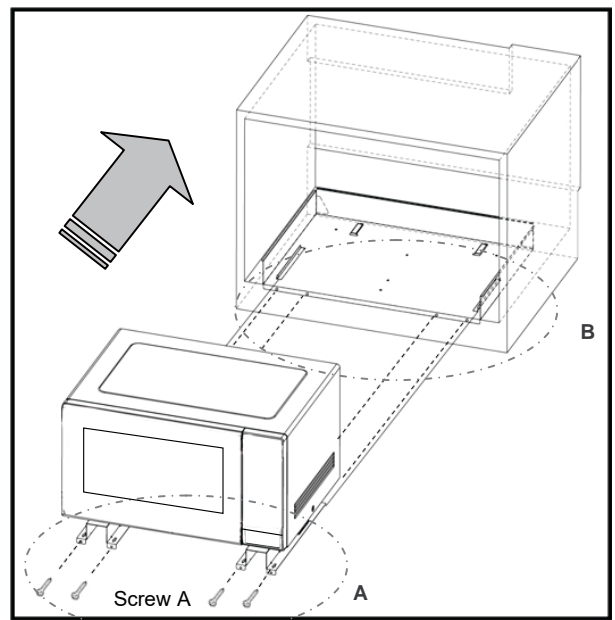
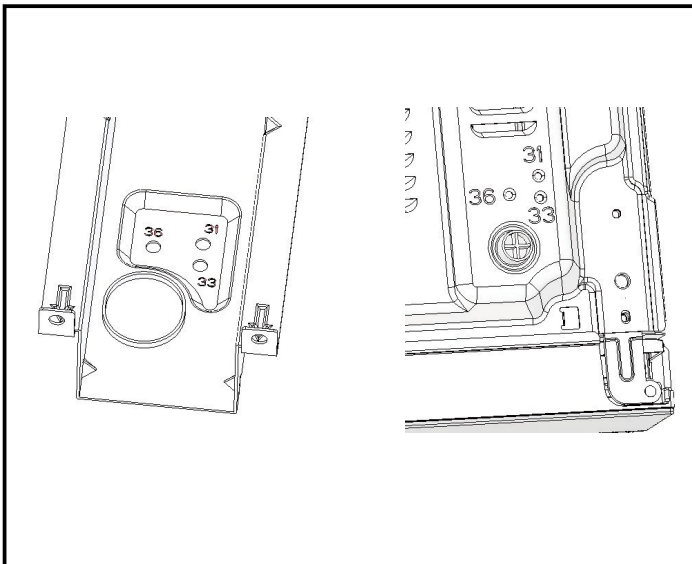


Illustration 6



Installation Instructions

FRAME INSTALLATION

1. Position the FRAME ASSEMBLY to be square with the oven. Carefully place the FRAME ASSEMBLY on the oven. See Illustration 7.
2. Check that it is level and then secure with two SCREWS B. Secure the bottom portion of the FRAME ASSEMBLY with the two remaining SCREWS B. See Illustration 8.

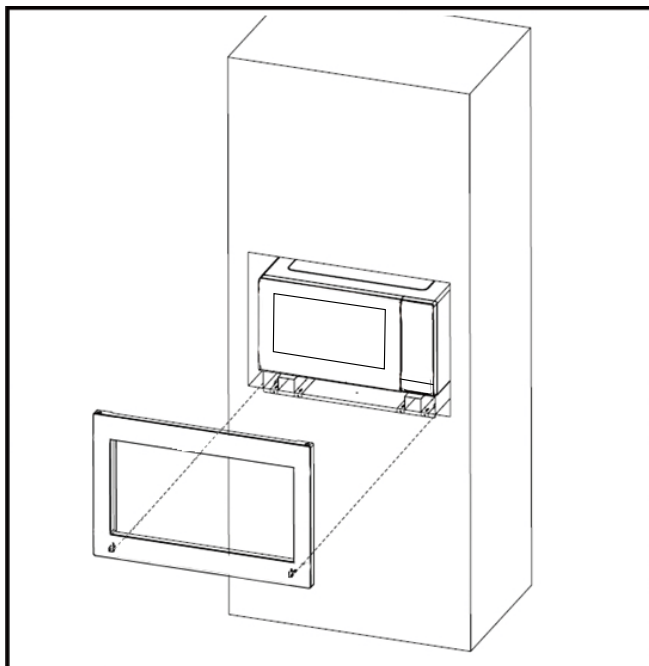


Illustration 7

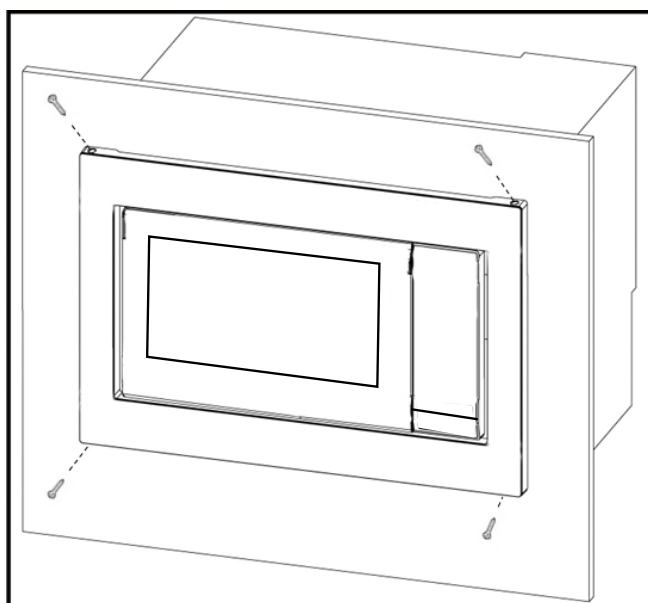


Illustration 8