

---

**BERTAZZONI**  
**INSTALLATION AND USER MANUAL**  
**INDUCTION DOWNDRAFT**

**EN**

---

**BERTAZZONI**  
**INSTRUCTIONS D'INSTALLATION ET D'UTILISATION**  
**DOWNDRAFT INDUCTION**

**FR**

---

**BERTAZZONI**  
**INSTRUCCIONES DE INSTALACIÓN Y USO**  
**DOWNDRAFT DE INDUCCIÓN**

**ES**





<b>ENGLISH</b>	<b>3</b>
<b>FRANÇAIS</b>	<b>18</b>
<b>ESPAÑOL</b>	<b>35</b>


# 1. SAFETY INFORMATION

## Before first use

Your safety and that of others is paramount. Remove cardboard protection pieces, protective film and adhesive labels from accessories. Check the appliance for any transport damage. To avoid any damage do not place any weights on the appliance. Do not expose the appliance to atmospheric agents. This manual and the appliance itself provide important safety warnings, to be read and observed at all times.

 This is the attention symbol, pertaining to safety, which alerts users to potential risks to themselves and others. All safety warnings are preceded by the attention symbol and the following terms:


 **DANGER:** indicates a hazardous situation which, if not avoided, will cause serious injury.

 **WARNING:** Indicates a hazardous situation which, if not avoided, could cause serious injury.

All safety warnings give specific details of the potential danger/warning present and indicate how to reduce risk of injury, damage and electric shock resulting from improper use of the appliance. Carefully observe the following instructions.

## IMPORTANT SAFETY INSTRUCTION

## READ AND SAVE THESE INSTRUCTIONS

 **WARNING:** To reduce the risk of fire, electrical shock, injury to persons, or damage when using the cooktop, follow basic precautions, including the following:

**CAUTION!** Do not store items of interest to children in cabinets above a cooktop – Children climbing on the cooktop to reach items could be seriously injured.

**Proper Installation** – Be sure your cooktop is properly installed and grounded by a qualified technician.

**Never Use Your Cooktop for Warming or Heating the Room.**

- **Do Not Leave Children Alone** – Children should not be left alone or unattended in area where cooktop is in use. They should never be allowed to sit or stand on any part of the cooktop.
- **Wear Proper Apparel** – Loose-fitting or hanging garments should never be worn while using the cooktop.

- **User Servicing** – Do not repair or replace any part of the cooktop unless specifically recommended in the manual. All other servicing should be referred to a qualified technician.
- **Storage on Cooktop** – Flammable materials should not be stored near surface units.
- **Do Not Use Water on Grease Fires** – Smother fire or flame or use dry chemical or foam-type extinguisher.
- **Use Only Dry Potholders** – Moist or damp potholders on hot surfaces may result in burns from steam. Do not let potholder touch hot heating elements. Do not use a towel or other bulky cloth.
- **DO NOT TOUCH SURFACE UNITS OR AREAS NEAR UNITS** – Surface units may be hot even though they are dark in color. Areas near surface units may become hot enough to cause burns. During and after use, do not touch, or let clothing or other flammable materials contact surface units or areas near units until they have had sufficient time to cool. Among those areas are the cooktop and surfaces facing the cooktop.
- **Use Proper Pan Size** – This cooktop is equipped with one or more surface units of different size. Select utensils having flat bottoms large enough to cover the surface unit heating element. Proper relationship of utensil to burner will also improve efficiency.
- **Never Leave Surface Units Unattended at High Heat Settings** – Boilover causes smoking and greasy spillovers that may ignite.
- **Glazed Cooking Utensils** – Only certain types of glass, glass/ceramic, ceramic, earthenware, or other glazed utensils are suitable for cooktop service without breaking due to the sudden change in temperature.
- **Utensil Handles Should Be Turned Inward and Not Extend Over Adjacent Surface Units** – To reduce the risk of burns, ignition of flammable materials, and spillage due to unintentional contact with the utensil, the handle of a utensil should be positioned so that it is turned inward, and does not extend over adjacent surface units.
- **Do Not Cook on Broken Cooktop** – If cooktop should break, cleaning solutions and spillovers may penetrate the broken cooktop and create a risk of electric shock. Contact a qualified technician immediately.
- **Clean Cooktop With Caution** – If a wet sponge or cloth is used to wipe spills on a hot cooking area, be careful to avoid steam burn. Some cleaners can produce noxious fumes if applied to a hot surface.
- **Do not place metal objects such as knives, forks, spoons and lids on the cooktop surface as they may overheat.**

### For units with ventilating hood –

- **Clean Ventilating Hoods Frequently** – Grease should not be allowed to accumulate on hood or filter.
- **When flaming foods under the hood, turn the fan on.**

### For units with coil elements –

- **Make Sure Reflector Pans or Drip Bowls Are in Place** – Absence of these pans or bowls during cooking may subject wiring or components underneath to damage.

- Protective Liners – Do not use aluminum foil to line surface unit drip bowls, except as suggested in the manual. Improper installation of these liners may result in a risk of electric shock, or fire. Do Not Soak Removable Heating Elements - Heating elements should never be immersed in water.

This induction cooktop generates and uses ISM frequency energy that heats cookware by using an electromagnetic field. It has been tested and complies with Part 18 of the FCC Rules for ISM equipment. This induction cooktop meets the FCC requirements to minimize interference with other devices in residential installation.

This induction cooktop may cause interference with television or radio reception. If interference occurs, the user should try to correct the interference by:

Relocating the receiving antenna of the radio or television;  
Increasing the distance between the cooktop and the receiver;

Connecting the receiver into a different outlet.

It is the user's responsibility to correct any interference.

**⚠ WARNING: People with a pacemaker or similar medical device should use care when standing near this induction cooktop while it is on. The electromagnetic field may affect the pacemaker or similar device. Consult your doctor or the manufacturer of the pacemaker or similar medical device for additional information about its effects with electromagnetic fields of the induction cooktop**

Caution! Strictly observe the following instructions:

The device must be disconnected from the electrical network before performing any installation work.

- Installation or maintenance must be performed by a qualified technician, in compliance with the manufacturer's instructions and with local safety regulations. Do not repair or replace any part of the device unless specifically stated in the operating manual.
- Earthing the device is compulsory.
- Do not use multiple sockets or extension cords.
- Once installation is complete, the electrical components must no longer be accessible by the user.
- The device and its accessible parts heat up during use. Be careful not to touch the heating elements.
- Ensure that children do not play with the device; keep children away and supervise them, as the accessible parts may become very hot during use.
- For people with pacemakers and active implants it is important to check, prior to using the induction cooktop, that their pacemaker is compatible with the device.
- During and after use, do not touch the heating elements of the device.
- Avoid contact with cloths or other flammable materials until all the device components have sufficiently cooled.
- Do not place flammable materials on or near the device.
- Overheated fats and oils easily catch fire. Supervise the cooking of foods rich in fat and oil.

- If the surface is cracked, switch off the device to avoid the possibility of an electric shock.
- The device is not intended to be run with an external timer or a separate remote control system.
- Unattended cooking on a cooktop with oil or fat may be dangerous and may cause a fire.
- The cooking process must be supervised. A short-term cooking process must be constantly monitored.
- NEVER attempt to put fires out using water. Instead, turn off the device and smother the flames, for example with a lid or a fire blanket. Fire hazard: do not rest objects on the cooking surfaces.
- Do not use steam cleaners.
- Before connecting the device to the electrical network: check the data plate (on the bottom of the device) to ensure that the voltage and power correspond to the network values and that the connection socket is suitable. If in doubt, consult a qualified electrician.
- After use, turn off the cooktop at the switch and do not rely on the pan detector.
- Prevent liquids from boiling over, so turn the heat down when boiling or heating liquids.
- Do not leave the heating elements turned on with empty pots and pans or with no pans.
- Switch off the relevant hot plate when you have finished cooking.
- Never use aluminium foil for cooking and never place products packaged in aluminium on the cooktop. The aluminium would melt and irreparably damage your device.
- Never heat a tin or can containing foods without opening it first: it might explode!
- This warning also applies to all other types of cooktops.
- High power levels such as the Booster function should not be used to heat certain liquids, such as oil for frying. Excessive heat may be dangerous. In these cases, we recommend the use of a lower power level.
- Containers must be placed directly on the cooktop and in the center. Under no circumstances may any other objects be placed between the pan and the cooktop.
- If the temperature becomes high, the device automatically decreases the power level of the cooking zones.
- Before doing any cleaning or maintenance work, disconnect the device from the mains power supply by removing the plug or turning off the mains switch.
- Wear protective gloves for all installation and maintenance operations.
- The device can be used by children over the age of eight and by people with impaired physical, sensory or mental abilities or lacking in experience or the necessary knowledge provided that they are supervised or after they have received instruction about how to safely use the device and understand the inherent dangers.
- Children must be supervised to ensure they do not play with the device.

- Cleaning and maintenance must never be performed by children unless they are properly supervised.
- The room must be properly ventilated when the device is used at the same time as other gas-powered devices, or powered by other fuel.
- The device must be regularly cleaned both internally and externally (AT LEAST ONCE A MONTH), in strict accordance with the maintenance instructions.
- Failure to follow the rules for device cleaning and filter replacement and cleaning may result in a fire hazard.
- Food must never be cooked flambé. Using a naked flame may damage the filters and cause a fire hazard; it must, therefore, be avoided under all circumstances. Extra care must be taken when frying to prevent the oil from overheating and catching fire.
- The regulations laid down by local authorities must be strictly followed with regard to the technical and safety measures to adopt for fume extraction.
- The extracted air must not be conveyed through the same ducts used to extract the fumes generated by gas combustion or other types of combustion devices. Never use the device without the grille properly installed!
- Only use the fastening screws supplied with the device for installation, or if not supplied, purchase the correct type of screws. Use screws of the right length, as indicated in the installation guide.
- When the device is used together with other devices powered with non-electrical energy, the negative pressure of the room must not exceed 4 Pa ( $4 \times 10^{-5}$  bar).
- This manual must be stored for future consultation at any time. If sold, transferred or moved, it must remain with the device.

### Electrical Requirements

- Disconnect the device from the electrical network
- The installation must be performed by professionally qualified personnel familiar with the applicable installation and safety standards.
- The manufacturer declines any liability to people, animals or things in the case of failure to follow the guidelines provided in this chapter.
- Make sure that the voltage on the rating plate on the bottom of the device corresponds to that of the house where it will be installed.
- Do not use extension cords.
- Earthing is required by law

### IMPORTANT

Observe all governing codes and ordinances.

It is the customer's responsibility:

To contact a qualified electrical installer.

To assure that the electrical installation is adequate and in conformance with National Electrical Code, ANSI/NFPA 70 — latest edition\*, or CSA Standards C22.1-94, Canadian Electrical Code, Part 1 and C22.2 No.0-M91 - latest edition\*\* and all local codes and ordinances.

If codes permit and a separate ground wire is used, it is recommended that a qualified electrician determine that the ground path is adequate.

Do not ground to a gas pipe.

Check with a qualified electrician if you are not sure range hood is properly grounded.

Do not have a fuse in the neutral or ground circuit.

### IMPORTANT

Save Installation Instructions for electrical inspector's use.

The appliance should be connected directly to the fused disconnect (Or circuit breaker) box through metal electrical conduit.

Wire sizes must conform to the requirements of the National Electrical Code ANSI/NFPA 70 — latest edition\*, or CSA Standards C22.1-94, Canadian Electrical Code Part 1 and C22.2 No. 0-M91 - latest edition\*\* and all local codes and ordinances.

A U.L.- or C.S.A.-listed conduit connector must be provided at each end of the power supply conduit (at the appliance and at the junction box).

Copies of the standards listed may be obtained from:

\* National Fire Protection Association Batterymarch Park Quincy, Massachusetts 02269

\*\* CSA International 8501 East Pleasant Valley Road Cleveland, Ohio 44131-5575

### Preparation of the device/cooktop for installation:

**⚠ WARNING: This is a heavy product; the device should only be lifted and installed by two or more people.**

- The exhaust air should not be vented into a wall, a ceiling, or a concealed space of a building.
- After unpacking the product, check that it has not been damaged during transport and in the event of problem, please contact the reseller or the Customer support service before installing it.
- Check that the product is the right size for the installation area.
- Check for accessories (e.g. bags containing screws, warranty certificates, etc.) inside the packaging (placed there for transport reasons). Remove and keep them safe, if present.
- The product cannot be installed above cooling appliances, dishwashers, heaters, ovens, washing machines and dryers.

### Installation and connection

**Important – Save for the local electrical inspector's use.**

- In the event of problems, contact the Authorized Service Center. To prevent any damage, only remove the appliance from its packaging at the time of installation.
- Both electric and mechanical installation must be carried out by specialised personnel.

- The minimum installation distance: 30" (76.2 cm) minimum clearance between top of cooktop platform and bottom of uncovered wood or metal cabinet (24" [61 cm] minimum clearance if bottom of wood or metal cabinet is covered by not less than 1/4" [0.6 cm] flame retardant millboard covered with not less than No. 28 MSG sheet steel, 0.015" [0.04 cm] stainless steel, or 0.024" [0.06 cm] aluminum or 0.020" [0.05 cm] copper)
- The minimum distances above specified shall be respected, in case the kitchen manufacturer should indicate larger distances these shall be observed.
- To eliminate the risk of burns or fire by reaching over heated surface units, cabinet storage space located above the surface units should be avoided. If cabinet storage is to be provided, the risk can be reduced by installing a range hood that projects horizontally a minimum of 5 inches beyond the bottom of the cabinets.

### Installation induction cooktop

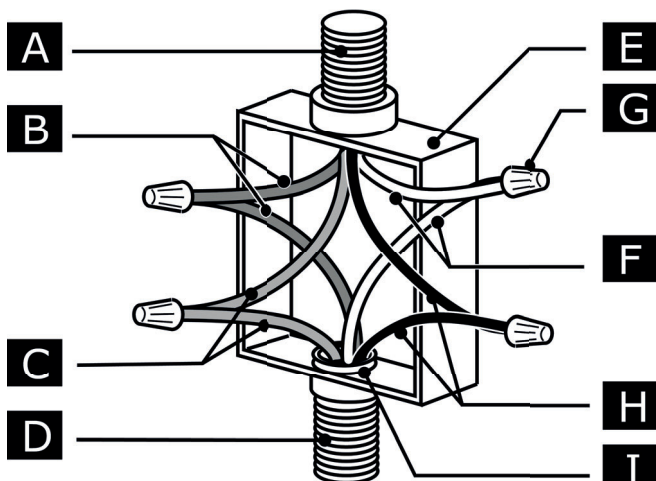
- Create the cut-outs in the cabinet before inserting the cooktop and carefully remove any shavings or sawdust.
- to ensure the correct installation of the product, it is recommended to tape the pipes using an adhesive with the following characteristics: duct tape in accordance with local codes and ordinances; flame retardant; excellent resistance to wear; resistant to temperature fluctuations can be used at low temperatures

**⚠ WARNING:** Failure to install screws and fasteners in accordance with these instructions may result in electrical hazards

### Electrical connect

#### 4-Wire Cable from Home Power Supply to 4-Wire Cable from Cooktop

**IMPORTANT:** Use the 4-wire cable from home power supply in the U.S. where local codes do not allow grounding through the neutral conductor, such as in: homes and recreational vehicles, new construction, and in Canada

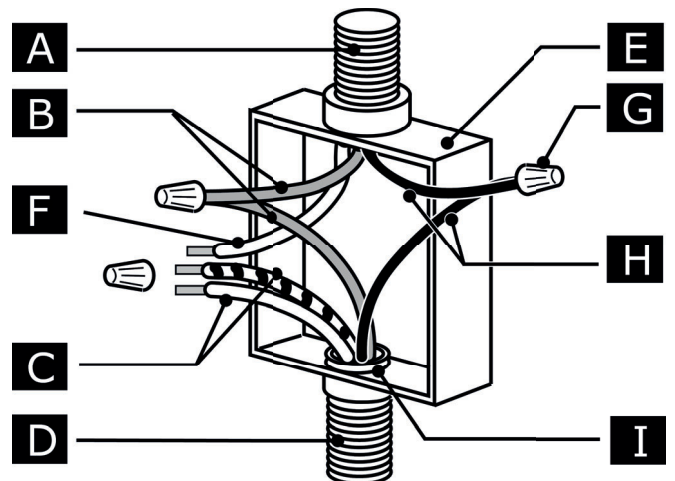


A	Cable from home power supply
B	Red wires
C	Green or yellow-green ground wires
D	4-wire cable from cooktop
E	Junction box
F	White wires
G	UL listed wire connector
H	Black wires
I	UL listed or CSA approved conduit connector

1. Connect the 2 black wires together using the UL listed wire connectors
2. Connect the 2 red wires together using the UL listed wire connectors
3. Connect the 2 white wires together using the UL listed wire connectors
4. Connect the green ( or yellow-green) ground from the cooktop cable to the green (or yellow-green) ground wire (in the junction box) using the UL listed wire connectors
5. Install junction box cover.

#### 3-Wire Cable from Home Power Supply to 4-Wire Cable from Cooktop - U.S. Only

**IMPORTANT:** Use the 3-wire cable from home power supply where local codes permit connecting the frame-ground conductor to the neutral (white) junction box wire.



A	Cable from home power supply
B	Red wires
C	White wire and green (or yellow-green) wire (from cooktop)
D	4-wire cable from cooktop
E	Junction box
F	White wires
G	UL listed wire connector
H	Black wires
I	UL listed or CSA approved conduit connector

1. Connect the 2 black wires together using the UL listed wire connectors
2. Connect the 2 red wires together using the UL listed wire connectors
3. Connect the green ( or yellow-green) and white cooktop cable to the white (neutral) wire in the junction box using the UL listed wire connectors
4. Install junction box cover.

## 2. USE

### USING THE HOB

The induction cooking system is based on the physical phenomenon of magnetic induction. The main characteristic of this system is the direct transfer of energy from the generator to the pot.

**Benefits:** When compared to electric hobs, your induction hob is: **Safer:** lower temperature on the glass surface.

**Faster:** shorter food heating times. **More accurate:** the hob immediately reacts to your commands. **More efficient:** 90% of the absorbed energy is transformed into heat. Moreover, once the pot is removed from the hob, heat transmission is immediately interrupted, avoiding unnecessary heat loss.

### USE OF COOKWARE

#### • Cookware



Only use pots bearing this symbol.

#### Important:

to avoid permanent damage to the hob surface, do not use:

- cookware with a base that is not perfectly flat;
- metal cookware with an enamelled base;

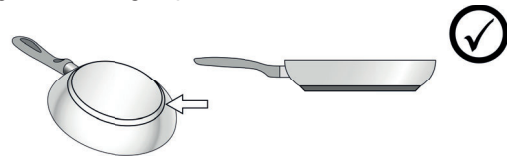
- cookware with a rough base, to avoid scratching the hob surface;
- never place hot pots and pans on the surface of the hob's control panel.
- Not all induction pots work efficiently due to the base only partially consisting of ferromagnetic material! When purchasing pots or pans ensure that:
  - the base is made entirely from ferromagnetic material. If this is not the case, heat transmission and uniformity will be less efficient, and the temperatures of the pot/pan surface may not be suitable for cooking



- The base does not contain aluminium: the cookware does not heat and may not be recognised by the inductors.



- Bases that are not flat or have rough surfaces.
- These lower the contact surface area between the inductor and the cookware, reducing efficiency and harming the cooking experience.



#### • Pre-existing cookware

You can check if the pot material is magnetic simply by using a magnet. Pots are not suitable if they are not magnetically detectable. The indications from the previous paragraph also apply here.

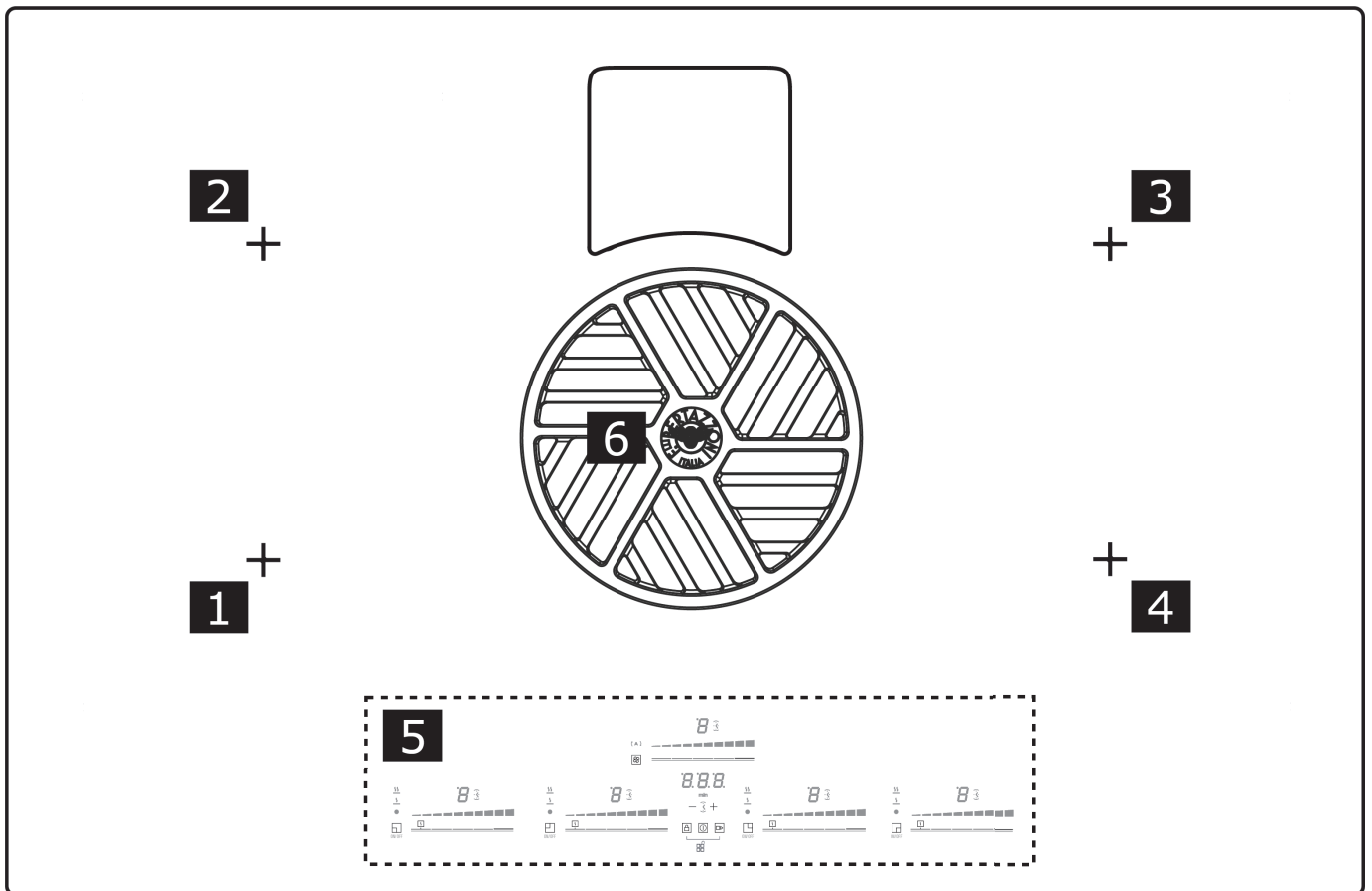
#### • Recommended pot bottom diameters

**IMPORTANT: if the pots are not of the correct size, the cooking zones will not switch on.** To see the minimum pot diameters for each individual zone, consult the illustrated section of this manual.

#### • Energy saving

Use pots and pans with a bottom diameter equal to that of the cooking zone; Use only pots and pans with flat bottoms; - Where possible, keep the lid on pots during cooking; Cook vegetables, potatoes, etc. with a minimal amount of water to reduce the cooking time; Use the pressure cooker, as it further reduces energy consumption and the cooking time; Place the pot in the centre of the cooking zone drawn on the hob.

### 3. PRODUCT DESCRIPTION

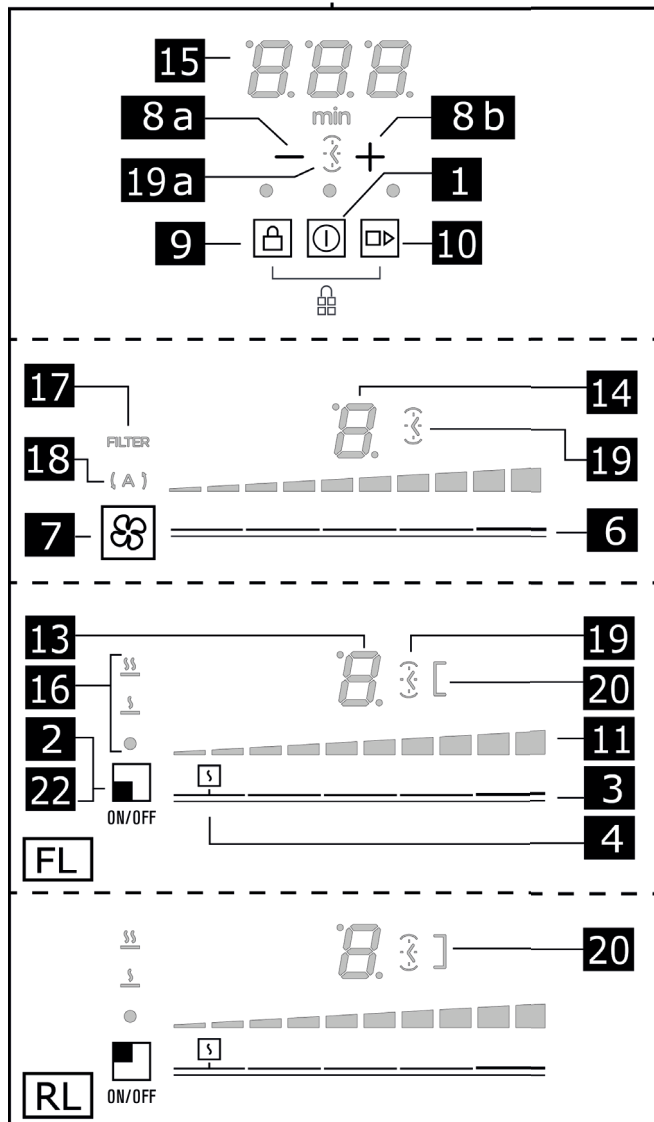
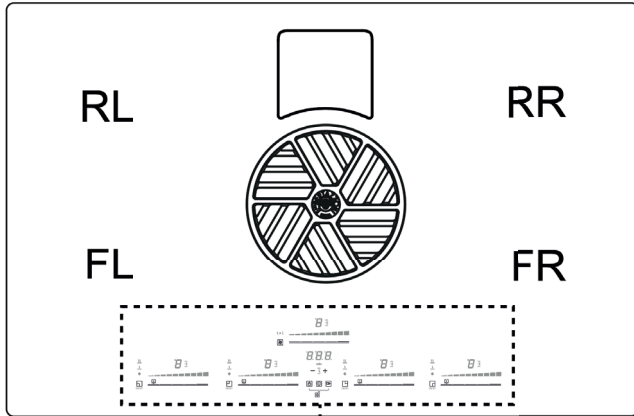


1	Single cooking zone; cooking pan min. $\varnothing 4^{23/32}$ " (120mm) 2100W, with Booster 3700W
2	Single cooking zone; cooking pan min. $\varnothing 4^{23/32}$ " (120mm) 2100W, with Booster 3700W
3	Single cooking zone; cooking pan min. $\varnothing 4^{23/32}$ " (120mm) 2100W, with Booster 3700W
4	Single cooking zone; cooking pan min. $\varnothing 4^{23/32}$ " (120mm) 2100W, with Booster 3700W
5	Control Panel
6	Extractor
1+2	Bridge cooking area area $8\ 21/32"$ x $4\ 23/32"$ (220 x 120mm) 3700W
3+4	Bridge cooking area area $8\ 21/32"$ x $4\ 23/32"$ (220 x 120mm) 3700W



# 4. OPERATION

## CONTROL PANEL



### Keys

1	ON/OFF of the cooktop / extractor fan for cooktop
2	Cooking zone position indicator
3	Cooking zone selection
4	Increase/Decrease Power Level
5	Temperature Manager activation
5	Keys fan
6	Extractor fan selection
6	Increase/Decrease extraction speed (power)
7	Activation of automatic functions
7	Reset filter saturation
8a 8b	Activate Timer / Increase / Decrease Timer value
9	Key Lock
9+10	Child Lock
10	Pause / Recall
22	ON/OFF Cooking zone

### Display / LED

11	View Power Level
12	View extraction speed (power)
13	Cooking zone display
14	Extractor fan display
15	Timer display
16	Temperature Manager display
17	Filter assistance indicator
18	Automatic extraction function indicator
19	Timer indicator active
19a	Timer indicator active
20	Bridge indicator active


### THINGS TO KNOW BEFORE STARTING

All functions of this hob are designed to comply with the most stringent safety regulations. For this reason:

- **Some functions will not be activated, or will be automatically deactivated, in the absence of pots on the burners or when they are poorly positioned.**
- In other cases the activated functions will be automatically deactivated after a few seconds, if the specific function requires a further setting that has not been selected (e.g.: "Turning the hob on" without "Selecting the cooking zone" and the "Operating temperature", or the "Lock Function" or the "Timer" function).

Wait for the display to turn off before approaching the cooking zone.









**Please note!** In the case (for example) of prolonged use, the cooking zone may not immediately shut down because

it is in the cooling phase; the symbol  will appear on the cooking zone display to indicate that this phase is under way. Wait for the display to turn off before approaching the cooking zone.

## COOKING ZONE DISPLAY

### Cooking zone display

The following is shown on the cooking zone displays:

Cooking zone on	
Power Level	
Residual Heat Indicator	
Pot Detector	
Temperature Manager Function active	
Child Lock Function active	
Pause function	
Automatic Heat UP function	

## CHARACTERISTICS OF THE HOB

### • Safe Activation

The product is activated only in the presence of pots on the cooking zone: the heating process does not start or is interrupted if there are no pots, or if these are removed.


### • Pot Detector

The product automatically detects the presence of pots on the cooking zones.

### • Safety Shut Down

For safety reasons, each cooking zone has a maximum operating time, which depends on the power level set.

### • Residual Heat Indicator

When switching off one or more cooking zones, the residual heat is indicated with a specific visual signal on the display of the corresponding zone by the symbol .

## USING THE HOB

### COOKTOP OPERATION

**Note:** Before activating any functions, the desired zone must be activated

### • Power-on

Press (touch) **ON/OFF(1)** cooktop/extractor.

The indicator light will turn on to indicate that the cooktop/extractor is ready for use

Press again to turn off

Note: This function has priority over the others.

### • Selecting the cooking zone


Touch (press) the **ON/OFF symbol (22)** corresponding to the cooking zone you intend to use, then press the **Selection bar (3)**.



### • 9 Power Levels

The cooktop features 9 power levels

Touch and slide your fingers along the **Selection bar (3)**: to the right to increase the power level; to the left to decrease the power level.

### • Power Booster

The product features a supplementary power level (after level ) , which remains active for 10 minutes, after which the temperature returns to the previously set value.

Touch and slide with your fingers along the **Selection bar (3)** (above the level ) and activate the Power Booster. The Power Booster level is shown on the display of the selected zone with the symbol ".

### • Bridge Zones

Thanks to the Bridge function, the cooking zones can operate in a combined way, creating a single zone with the same power level. This function allows evenly distributed cooking with large-sized pots and pans.

It is possible to combine the left cooking zone (**FL+RL**) and/or the right cooking zone (**RR+FR**),

*Bridge Function activation:*

- simultaneously select the two cooking zones you want to use (**FL+RL**) or (**RR+FR**)

- the Bridge indicators (**20**) of the two cooking zones will light up at the same time.

- Manage the power level of the left bridge using the **Selection bar (3-RL)**; Manage the power level of the right bridge using the **Selection bar (3-FR)**

*Bridge Function deactivation:*

repeat the same activation procedure.

### • Temperature Manager



Temperature Manager is a function that allows you to set the most suitable pre-set temperature to achieve the desired result. There are two levels.

**“Melting” level:** Identifies a suitable cooking level to slowly melt delicate products without compromising their sensory characteristics (chocolate, butter, etc.).

**"Warming" level:** Identifies a suitable cooking level to allow the food to be delicately maintained at the same temperature, without letting it boil.

*Temperature Manager activation:*

- Select the desired cooking zone.
- Press the symbol (4) once to activate the "Melting" level


: from the "Melting" level, press the symbol (4) again and hold for a few seconds to switch to the "Warming" level .

**Melting:** It identifies a suitable cooking level to slowly melt delicate products without compromising their sensory characteristics (chocolate, butter, etc.).

**Warming:** It identifies a suitable cooking level to allow to delicately keep the food at the same temperature, without letting it boil.

*Temperature Manager deactivation:*

Press the symbol (4) again

The following symbol appears on the display of the zone working in Temperature Manager mode .

#### • **Key Lock**

The Key Lock allows you to lock the settings of the cooktop to prevent accidental tampering with the same, while leaving the set functions enabled.

*Key Lock activation:*

- press (9)
- the LED over the button will turn on, to indicate that it has been activated

*Key Lock deactivation:*

- Repeat the activation operation.


#### • **Child Lock**

The Child Lock makes it possible to prevent children from accidentally accessing the cooking zone and extraction zone, preventing the activation of any functions.

The Child Lock can only be activated when the product is on, but with the cooking zones (and extraction zone) off.

*Child Lock activation:*

- remove any pots from the cooktop
- simultaneously press and hold (9)+(10): an acoustic

signal will indicate that the function is active and a  will be displayed in (13) and (14).

*Child Lock deactivation:*

Repeat the activation operation.

#### • **Timer**

The Timer function is a countdown, which can be set for each cooking zone (and suction zone), even simultaneously.

**Note:** the timer is a simple warning buzzer, which at the end of the set minutes DOES NOT turn off the cooking zone

*Activation/Regulation of cooktop Timer function*

- Select the cooking zone (Power other than 0)
- Simultaneously press (8a) and (8b) to access the Timer function

- Set the duration of the Timer:

press the selector (8b), to increase the automatic switch-off time; press the selector (8a), to decrease the automatic switch-off time.

If desired, repeat the operation for the other cooking zones.

**Note:** each time you press the two keys simultaneously, you will move on to the next active time.

**Note:** Each cooking zone can have a different Timer set; on the display, (15), the countdown of the last selected cooktop will be shown for 10 seconds, after which the countdown with the least remaining time will be shown.

When the timer has completed the countdown an acoustic signal sounds for 2 minutes, while the display (15) flashes

with the symbol .

**Note:** It is possible to switch off the acoustic signal by pressing the selector (8b) or the selector (8a),

Note: at the side of the cooking zone display, when the Timer is in use, the symbol (19) is displayed

*Switching off the Timer:*

- select the cooking zone

- set the Timer  using (8a)

**Note:** the function remains active if no other key is pressed in the meantime.

#### • **Egg Timer**

The Egg Timer function (19a) is a countdown independent of the cooking zones (and of the extraction zone). The Egg Timer is activated by pressing (8a) and (8b).

**Note:** to adjust the Egg Timer function, follow the same procedure as for the Timer function.

When the timer has completed the countdown an acoustic signal sounds for 2 minutes, while the display (15) flashes

with the symbol .

**Note:** It is possible to switch off the acoustic signal by pressing the selector (8b) or the selector (8a),

#### • **Pause**

The Pause function allows active functions on the cooktop to be suspended, bringing the cooking power to zero.

*Pause activation:*

- press **(10)**

- a  will be displayed in **(13)** and **(14)**.

*Pause deactivation:*

**Note:** this operation restores the cooktop conditions prior to the pause

- press **(10)**

- within 10 seconds scroll to the right with your fingers along the **Selection bar (3)** which will light up.

**Note:** if the operation is not performed within this time, the pause function will remain active.

**Note:** if after 10 minutes, the Pause Function is not deactivated, the cooktop will turn off automatically.

- **Recall**

The Recall function allows the cooktop settings to be recovered in the case of accidental shut-down.

*Recall activation:*

- switch the cooktop back on **(1)** within 6 seconds after shut-down

- press **(10)** within the next 6 seconds

- **Automatic Heat UP**

The Automatic Heat UP function allows the set power to be reached more quickly; with this function it is possible to cook food faster without the risk of burning it, insofar as the temperature does not exceed the set level.

This function is available for the levels of power 1 -8 .

*Activation:*

- on the **Selection bar (3)**, press and hold the desired power

- a  will be displayed in **(13)**.

## USING THE EXTRACTOR

### USING THE EXTRACTOR FAN

- **Turning on the extractor**

- Press (touch) **ON/OFF(1)** cooktop/extractor. The indicator light will turn on to indicate that the cooktop/extractor is ready for use

**Note:** This function has priority over the others.

Touch (press) the **Selection bar (6)** to activate the extractor fan.

- **Extraction speed (power):**

- Touch and slide your fingers along the **Selection bar (6)**: to the right to increase the extraction speed (power) (0-4); to the left to decrease the extraction speed (power) (4-0);

- **Extractor fan timer**

*Activation/Regulation of the extractor fan Timer function*

- Select the extractor (speed other than 0).

- Press **(8a)** and **(8b)** to access the Timer function (from any speed)

- Set the duration of the Timer:

press the selector **(8b)** to increase the automatic switch-off time; press the selector **(8a)** to decrease the automatic switch-off time; the display **(15)** will show the countdown,


**Note:** on the side of the extractor fan display, when the Timer is in use, the symbol **(19)** is displayed

When the timer has completed the countdown an acoustic signal sounds (for 2 minutes, or stops by pressing any cooktop key), while the display **(15)** flashes with the symbol

.

*Switching off the Timer:*

- select the cooking zone

- set the Timer to  using **(8a)**

**Note:** the function remains active if no other key is pressed in the meantime.

- **Filter saturation indicator**

The hood indicates when filter maintenance is needed:

- Grease filter: the LED **(17)** lights up

- Activated carbon odour filter: the LED **(17)** flashes

Reset filter saturation

After filter maintenance (grease and/or activated carbon), press and hold the key **(18)**: the LED **(17)** will turn off, resetting the indicator.

*Activation of activated carbon odour filter saturation indicator*

**Note:** This indicator is normally deactivated.

- switch on the extractor by pressing **ON/OFF(1)**

- with the extraction motor and the cooking zones off, press and hold **(18)**

- the LED **(17)** over the button will turn on, then turn off, to indicate that it has been activated.

*Deactivation of activated carbon odour filter saturation indicator*

- repeat the operation described above for activation;

- the LED **(17)** will flash, then turn off, to indicate that it has been deactivated.

- **Automatic mode**

The hood will turn on at the most suitable speed, adapting the extraction capacity to the maximum cooking level used in the cooking zone.

When the cooktop is switched off, the hood adapts its extraction speed, gradually decreasing it, in order to eliminate any residual steam and odours.

*Automatic mode activation:*

Press **(7)** briefly: the LED **(18)** will light up to indicate that the hood is working in this mode.

## POWER TABLE

Power level		Cooking type	Use (based on cooking experience and habits)
Max power		Heat quickly	raises the temperature of food in a short space of time to boiling point for water, or to quickly heat cooking liquids
		Fry - boil	browning, starting cooking, fry frozen products, boil quickly
High power		Brown - fry - boil - grill	browning, fast rolling boil, cooking and grilling (for brief periods, 5-10 minutes)
		Brown - cook - stew - fry - grill	browning, slow rolling boil, cooking and grilling (for medium periods, 10-20 minutes), pre-heat accessories
Medium power		Cook - stew - fry - grill	stewing, light rolling boil, cooking (for long periods), dressing pasta
		Cooking - simmering - thickening - creaming	longer cooking (rice, sauces, roasts, fish) with accompanying liquids (e.g. water, wine, stock, milk), dressing pasta
		Cooking - simmering - thickening - creaming	longer cooking (volumes less than one litre: rice, sauces, roasts, fish) with accompanying liquids (e.g. water, wine, stock, milk)
Low power		Melt - thaw - keep warm - stir	melting butter, gently melting chocolate, defrosting small products
		Melt - thaw - keep warm - stir	keeping small portions of just-cooked food warm or maintaining dishes at serving temperature and creaming risottos
OFF		Support surface	Hob in stand-by or off (possible presence of residual heat from the end of cooking, signalled by H-L-O)

## 5. MAINTENANCE

**Please note! Before any cleaning or maintenance, make sure the cooking zones are switched off and the heat indicator has turned off.**

For product maintenance, see the images at the end of the installation marked by this symbol.

### HOB MAINTENANCE

#### • Cleaning the induction hob

The hob must be cleaned after each use.

#### Important:

- Do not use abrasive sponges, scouring pads. Their use, over time, may ruin the glass.
- Do not use irritant chemical detergents such as oven sprays or stain removers.
- **DO NOT USE STEAM JET CLEANERS!!!**

After each use, leave the hob to cool and clean it to remove deposits and stains caused by food residue. Sugar or food with a high sugar content damage the hob and must be removed immediately. Salt, sugar and sand may scratch the glass surface. Use a soft cloth, paper towel or specific products to clean the hob (follow the Manufacturer's instructions).

#### • D Cleaning the liquid collection channel :

In the event large quantities of liquids accidentally spill out of the pots, they can be drained using the drain valve on the bottom part of the product so as to eliminate any residue and ensure maximum hygiene levels.

For a more complete and in-depth clean, the bottom collection channel can be completely removed.

#### • E Cleaning the metal grille:

The grille must be washed by hand with hot water and neutral detergent, then dried thoroughly to prevent oxidation.

### EXTRACTOR FAN MAINTENANCE

#### • Cleaning the extractor fan :

For cleaning, use **ONLY** a cloth moistened with neutral liquid detergents.

#### **DO NOT USE CLEANING UTENSILS OR TOOLS!**

Avoid the use of products containing abrasives. **DO NOT USE ALCOHOL!**

• **XA** Grease filter maintenance:

**Traps grease particles generated by cooking.**

Must be cleaned once a month (or when indicated by the filter saturation indication system), with non-aggressive detergents, either by hand or in the dishwasher at low temperatures and in a short cycle. When cleaned in the dishwasher, the metal grease filter may discolour, but its filtering characteristics remain unchanged.


• **XB** Ceramic activated carbon filter maintenance (For Recirculating Version only):

**Traps unpleasant odours generated by cooking. The product comes with a set of odour filters.**

The saturation of the odour filters can occur after somewhat prolonged use depending on the type of cooking and how regularly the grease filter is cleaned. The odour filters can be thermally regenerated every 2/3 months in an oven pre-heated to 200°C for 45 minutes. The correct regeneration of the filter ensures that it can constantly filter efficiently for 5 years.

**Please note!** Do not place the filters on the floor of the oven but rather in a tray, positioned at an intermediate height.

## 6. ASSISTANCE

INFORMATION CODE	DESCRIPTION	POSSIBLE CAUSES	SOLUTION
E2	The command zone switches off due to an excessively high temperature	The temperature inside the electronic parts is too high	Wait for the cooktop to cool before reusing it
ERR03 + acoustic signal 	Continuous (permanent) key activation is detected. The interface switches off after 10 seconds.	Water, pots or kitchen tools are on top of the user interface.	Clean the surface, remove any objects from the surface.
For all other error signals (E ... U ...)	Call customer service and report the error code		

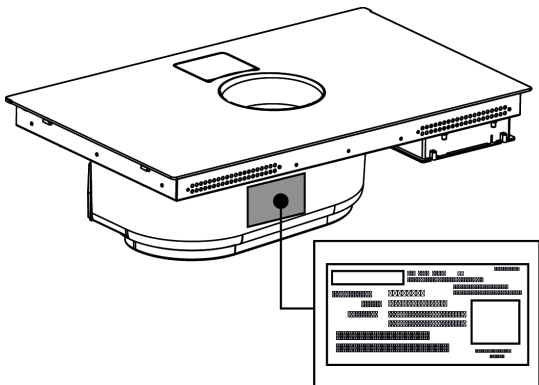
Before contacting Customer Service

1. Check that the problem cannot be solved by consulting the points in "Troubleshooting".
2. Switch the device off and on again to see if the problem resolves itself.

**If the fault persists after the above checks, contact the nearest Customer Service centre.**

## 7. TECHNICAL DATA

The technical information is situated in the rating plate on the internal side of the appliance.



## CUSTOMER CARE

---

For any warranty information and service request, contact us:



In USA: <https://us.bertazzoni.com/more/support>  
In Canada: <https://ca.bertazzoni.com/more/support>









# 1. INFORMATIONS SUR LA SÉCURITÉ

## Avant la première utilisation

Votre sécurité et celle des autres sont primordiales. Retirez les cales de protection en carton, le film de protection et les étiquettes adhésives des accessoires. Vérifiez que l'appareil n'a pas été endommagé pendant le transport. Afin d'éviter tout dommage, ne placez pas de poids sur l'appareil. N'exposez pas l'appareil aux agents atmosphériques. Ce manuel et l'appareil lui-même contiennent des avertissements de sécurité ou mises en gardes importants, à lire et à respecter à tout moment.

 Il s'agit du symbole d'attention, relatif à la sécurité, qui avertit les utilisateurs des risques potentiels pour eux-mêmes et pour les autres. Tous les avertissements de sécurité sont précédés du symbole d'attention et des termes suivants :


 **DANGER:** indique une situation dangereuse qui, si elle n'est pas évitée, va entraîner de graves blessures.

 **AVERTISSEMENT:** Indique une situation dangereuse qui, si elle n'est pas évitée, pourrait entraîner des blessures graves.

Tous les avertissements de sécurité donnent des détails spécifiques sur le danger/alerte potentiel(le) présent(e) et indiquent comment réduire le risque de blessure, de dommage et de choc électrique dû à l'utilisation inappropriée de l'appareil. Respectez attentivement les instructions suivantes.

## CONSIGNES DE SÉCURITÉ IMPORTANTES

## VEUILLEZ LIRE ET CONSERVER CES INSTRUCTIONS

 **AVERTISSEMENT:** Pour réduire le risque d'incendie, de choc électrique, de blessures corporelles ou de dommages lors de l'utilisation de la plaque de cuisson, prenez des précautions élémentaires, y compris les suivantes :

**ATTENTION :** Ne stockez pas d'articles intéressants pour les enfants dans les armoires au-dessus d'une plaque de cuisson - Les enfants qui grimpent sur la plaque de cuisson pour atteindre les objets pourraient être grièvement blessés.

Installation correcte : assurez-vous que votre plaque de cuisson est correctement installée et mise à la terre par un technicien qualifié.

N'utilisez jamais votre plaque de cuisson pour vous réchauffer ou réchauffer la pièce.

- Ne laissez pas les enfants seuls - Les enfants ne doivent pas être laissés seuls ou sans surveillance dans la zone où la plaque de cuisson est utilisée. Ils ne devraient jamais être autorisés à s'asseoir ou à se tenir sur une partie de la plaque de cuisson.
- Portez un vêtement approprié - Des vêtements à manches ou lâches ne doivent jamais être portés lors de l'utilisation de la plaque de cuisson.
- Entretien par l'utilisateur - N'essayez jamais de réparer ou de remplacer une partie quelconque de la plaque de cuisson, sauf en cas de recommandations spécifiques dans ce manuel. Tout autre service doit être confié à un technicien qualifié.
- Stockage sur la plaque de cuisson - Ne stockez pas les matériaux inflammables près des unités de surface.
- N'utilisez pas d'eau sur les feux de graisse - Étouffez le feu ou la flamme ou utilisez un extincteur chimique ou un extincteur en mousse.
- N'utilisez que des maniques secs - Des maniques humides ou humides sur des surfaces chaudes peuvent entraîner des brûlures de la vapeur. Ne laissez pas les maniques toucher les éléments chauffants lorsqu'ils sont chauds. N'utilisez pas de serviette ou autre chiffon volumineux.
- NE TOUCHEZ PAS LES UNITÉS DE SURFACE OU LES ZONES DE SURFACE PROCHE DES UNITÉS - Les unités de surface peuvent être chaudes même si elles sont de couleur foncée. Les zones proches des unités de surface peuvent devenir suffisamment chaudes pour causer des brûlures. Pendant et après l'utilisation, ne touchez pas, ou laissez les vêtements ou d'autres matériaux inflammables entrer en contact avec des unités de surface ou des zones proches des unités jusqu'à ce qu'ils aient eu suffisamment de temps pour refroidir. Parmi ces zones se trouvent la plaque de cuisson et les surfaces situées face à la plaque de cuisson.
- Utilisez une poêle de la taille appropriée - Cette plaque de cuisson est équipée d'une ou plusieurs unités de surface de taille différente. Choisissez des ustensiles à fond plat suffisamment grands pour couvrir l'élément chauffant de l'unité de surface. Une relation appropriée entre l'ustensile et le brûleur améliorera également l'efficacité.
- Ne laissez jamais les unités de surface sans surveillance à des températures élevées programmées - Le débordement cause de la fumée et des débordements graisseux qui peuvent prendre feu.

- Ustensiles de cuisine vitrés - Seuls certains types de verre, vitrocéramique, de céramique, de faïence ou d'autres ustensiles vitrés conviennent au service de la plaque de cuisson sans se briser en raison de la brusque variation de température.
- Les poignées d'ustensile doivent être tournées vers l'intérieur et ne pas s'étendre sur les unités de surface adjacentes. Pour réduire le risque de brûlures, l'allumage de matériaux inflammables et les déversements causés par un contact involontaire avec l'ustensile, la poignée d'un ustensile doit être positionnée de manière à être tournée vers l'intérieur et ne pas encombrer les unités de surface adjacentes.
- Ne cuisinez pas sur une plaque de cuisson cassée - Si la plaque de cuisson devait se casser, les solutions de nettoyage et les débordement peuvent pénétrer dans la plaque de cuisson cassée et créer un risque de choc électrique. Contactez immédiatement un technicien qualifié.
- Nettoyez la plaque de cuisson avec précaution - Si une éponge humide ou un chiffon est utilisé pour essuyer les déversements sur une zone de cuisson chaude, veillez à éviter la combustion de la vapeur. Certains produits de nettoyage peuvent produire des fumées nocives si elles sont appliquées sur une surface chaude.
- Ne placez pas d'objets métalliques tels que couteaux, fourchettes, cuillères et couvercles sur la surface de la plaque de cuisson, car ils pourraient surchauffer.

#### **Pour les unités avec hotte aspirante -**

- Nettoyez les hottes de ventilation fréquemment - La graisse ne doit pas s'accumuler sur la hotte ou le filtre.
- Lorsque les aliments enflammés se trouvent sous le capot, allumez le ventilateur.

#### **Pour les unités avec éléments de bobine -**

- Assurez-vous que les cuvettes ramasse-goutte sont en place - L'absence de ces ustensiles pendant la cuisson peut risquer d'endommager les câbles ou les composants en dessous.
- Revêtements protecteurs - N'utilisez pas de papier d'aluminium pour recouvrir les cuvettes ramasse-goutte des appareils de surface, sauf si cela est suggéré dans le manuel. Toute installation inappropriée de ces revêtements peut entraîner un risque de choc électrique ou d'incendie. Ne trempez pas les éléments de chauffage amovibles - Les éléments de chauffage ne doivent jamais être immergés dans l'eau.

Cette plaque de cuisson à induction génère et utilise une énergie de fréquence ISM qui chauffe les ustensiles de cuisine en utilisant un champ électromagnétique. Elle a été testée et est conforme à la partie 18 des règles FCC pour les équipements ISM. Cette plaque de cuisson à induction répond aux exigences de la FCC pour minimiser les interférences avec d'autres appareils dans l'installation résidentielle.

Cette plaque de cuisson à induction peut causer des interférences avec la télévision ou la radio. En cas d'interférence, veuillez essayer de la corriger en :

déplaçant l'antenne de réception de la radio ou du téléviseur;

augmentant la distance entre la plaque de cuisson et le récepteur;

reliant le récepteur dans une sortie différente.

Il incombe à l'utilisateur de corriger toute interférence.

**⚠ AVERTISSEMENT:** Les porteurs d'un stimulateur cardiaque ou d'un dispositif médical similaire devraient être prudents lorsqu'ils sont debout près de cette plaque de cuisson à induction pendant qu'elle est allumée. Le champ électromagnétique peut affecter le stimulateur cardiaque ou un dispositif similaire. Informez votre médecin ou le fabricant du stimulateur cardiaque ou un dispositif médical similaire pour plus d'informations sur les effets des champs électromagnétiques de la plaque de cuisson à induction.

Attention! Respectez scrupuleusement les instructions suivantes :

Veuillez débrancher l'appareil du réseau électrique avant d'effectuer tout travail d'installation.

- Veuillez confier l'installation ou la maintenance à un technicien qualifié, conformément aux instructions du fabricant et aux normes de sécurité locales. Ne réparez ou ne remplacez aucune pièce de l'appareil, sauf indication contraire dans le manuel d'utilisation.
- La mise à la terre de l'appareil est obligatoire.
- N'utilisez pas de prises multiples ou de rallonges.
- Une fois l'installation terminée, les composants électriques ne doivent plus être accessibles par l'utilisateur.
- L'appareil et ses parties accessibles chauffent pendant l'utilisation. Veillez à ne pas toucher les éléments chauffants.
- Veillez à ce que les enfants ne jouent pas avec l'appareil; tenez-les éloignés et surveillez-les, car les parties accessibles peuvent devenir très chaudes pendant l'utilisation.
- Pour les porteurs de stimulateur cardiaque et d'implants actifs, il est important de vérifier, avant d'utiliser la plaque de cuisson à induction, que leur stimulateur cardiaque est compatible avec l'appareil.
- Pendant et après l'utilisation, ne touchez pas les éléments chauffants de l'appareil.
- Évitez tout contact avec des chiffons ou d'autres matériaux inflammables jusqu'à ce que tous les composants de l'appareil aient suffisamment refroidi.
- Ne placez pas de matériaux inflammables sur ou près de l'appareil.
- Les graisses et les huiles surchauffées s'enflamment facilement. Surveillez la cuisson des aliments riches en graisse et en huile.
- Si la surface est fissurée, éteignez l'appareil pour éviter tout risque de choc électrique.
- Cet appareil n'est pas destiné à être utilisé avec une minuterie externe ou un système de télécommande séparé.

- La cuisson non surveillée sur une plaque de cuisson avec de l'huile ou de la graisse peut être dangereuse et provoquer un incendie.
- Veuillez surveiller le processus de cuisson. Même un processus de cuisson de courte durée doit être constamment surveillé.
- N'essayez JAMAIS d'éteindre un incendie avec de l'eau. Éteignez plutôt l'appareil et étouffez les flammes, par exemple avec un couvercle ou une couverture anti-feu. Risque d'incendie : ne posez pas d'objets sur les surfaces de cuisson.
- N'utilisez pas de nettoyeur vapeur.
- Avant de raccorder l'appareil au réseau électrique : vérifiez sur la plaque signalétique (sur le dessous de l'appareil) que la tension et la puissance correspondent aux valeurs du réseau et que la prise de raccordement est adaptée à la fiche. En cas de doute, consultez un électricien qualifié.
- Après utilisation, éteignez la plaque de cuisson via l'interrupteur et ne vous fiez pas au détecteur de casseroles.
- Pour éviter que les liquides ne débordent, baissez le feu lorsque vous faites bouillir ou chauffer des liquides.
- Ne laissez pas les éléments chauffants allumés avec des casseroles vides ou sans casseroles.
- Éteignez la plaque chauffante concernée lorsque vous avez fini de cuisiner.
- N'utilisez jamais de papier aluminium pour cuisiner et ne placez jamais de produits emballés dans de l'aluminium sur la plaque de cuisson. L'aluminium fondrait et endommagerait irrémédiablement votre appareil.
- Ne faites jamais chauffer une boîte ou une canette contenant des aliments sans l'avoir ouverte au préalable : elle pourrait exploser !
- Cet avertissement s'applique également à tous les autres types de plaque de cuisson.
- Les niveaux de puissance élevés, comme la fonction Booster, ne doivent pas être utilisés pour chauffer certains liquides, comme l'huile de friture. Une chaleur excessive peut être dangereuse. Dans ces cas, nous recommandons d'utiliser un niveau de puissance inférieur.
- Les récipients doivent être placés directement sur la plaque de cuisson et au centre. En aucun cas, d'autres objets ne peuvent être placés entre le récipient et la plaque de cuisson.
- Si la température devient élevée, l'appareil diminue automatiquement le niveau de puissance des zones de cuisson.
- Avant toute opération de nettoyage ou d'entretien, débranchez l'appareil du réseau électrique en retirant la fiche ou via l'interrupteur principal.
- Portez des gants de protection pour toutes les opérations d'installation et d'entretien.
- L'appareil peut être utilisé par des enfants de plus de huit ans et par des personnes ayant des capacités physiques, sensorielles ou mentales réduites ou manquant d'expérience ou de connaissances nécessaires, à

- condition qu'ils soient surveillés ou qu'ils aient reçu des instructions sur la façon d'utiliser l'appareil en toute sécurité et de comprendre les dangers inhérents.
- Veuillez surveiller les enfants pour vous assurer qu'ils ne jouent pas avec l'appareil.
- Le nettoyage et l'entretien ne doivent jamais être effectués par des enfants, sauf s'ils sont correctement surveillés.
- Veillez à ce que la pièce soit correctement ventilée si vous utilisez l'appareil en même temps que d'autres à gaz ou alimentés par un autre combustible.
- L'appareil doit être nettoyé régulièrement, tant à l'intérieur qu'à l'extérieur (AU MOINS UNE FOIS PAR MOIS), en suivant scrupuleusement les instructions d'entretien.
- Le non-respect des règles de nettoyage de l'appareil et de remplacement et nettoyage des filtres peut entraîner un risque d'incendie.
- Ne cuisez jamais les aliments à la flamme. L'utilisation d'une flamme nue peut endommager les filtres et provoquer un risque d'incendie ; elle doit donc être évitée en toutes circonstances. Soyez bien prudent lors de la friture pour éviter que l'huile ne surchauffe et ne prenne feu.
- En ce qui concerne les mesures techniques et de sécurité à adopter pour l'aspiration des fumées, il convient de respecter scrupuleusement les normes définies par les autorités locales.
- L'air extrait ne doit pas être acheminé par les mêmes conduits que ceux utilisés pour l'extraction des fumées générées par la combustion de gaz ou d'autres types d'appareils à combustion. N'utilisez jamais l'appareil sans que la grille ne soit correctement installée !
- Pour l'installation, utilisez uniquement les vis de fixation fournies avec l'appareil ou, si elles ne sont pas fournies, achetez le type de vis approprié. Utilisez des vis de la bonne longueur, comme indiqué dans le guide d'installation.
- Lorsque l'appareil est utilisé avec d'autres alimentés par une énergie non électrique, la pression négative de la pièce ne doit pas dépasser 4 Pa ( $4 \times 10^{-5}$  bars).
- Ce manuel doit être conservé pour une consultation ultérieure à tout moment. En cas de vente, transfert ou déplacement, il doit toujours accompagner l'appareil.

#### **Exigences électriques**

- Débranchez l'appareil du réseau électrique
- Veuillez confier l'installation à du personnel professionnellement qualifié qui maîtrise les normes d'installation et de sécurité en vigueur.
- Le fabricant décline toute responsabilité envers les personnes, les animaux ou les biens en cas de non-respect des directives fournies dans ce chapitre.
- Assurez-vous que la tension indiquée sur la plaque signalétique située sous l'appareil correspond à celle de la maison où il sera installé.
- N'utilisez pas de rallonges électriques.
- La mise à la terre est exigée par la loi

## IMPORTANT

Respectez tous les codes et ordonnances en vigueur.

Il incombe au client :

De contacter un installateur électricien qualifié.

De s'assurer que l'installation électrique est adéquate et conforme au Code national de l'électricité, ANSI/NFPA 70 - dernière édition\*, ou aux normes CSA C22.1-94, Code canadien de l'électricité, Partie 1 et C22.2 No.0-M91 - dernière édition\*\* et à tous les codes et ordonnances locaux.

Si les codes le permettent et qu'un fil de terre séparé est utilisé, il est recommandé qu'un électricien qualifié détermine que le chemin de terre est adéquat.

Ne mettez pas à la terre un tuyau de gaz.

Demandez conseil à un électricien qualifié si vous n'êtes pas sûr que la hotte est correctement mise à la terre.

N'insérez pas de fusible dans le circuit neutre ou de mise à la terre.

## IMPORTANT

Conservez les instructions d'installation à l'usage de l'inspecteur en électricité.

L'appareil doit être raccordé directement au boîtier de déconnexion à fusibles (ou disjoncteur) par un conduit électrique métallique.

La taille des fils doit être conforme aux exigences du National Electrical Code ANSI/NFPA 70 - dernière édition\*, ou aux normes CSA C22.1-94, Code canadien de l'électricité Partie 1 et C22.2 No. 0-M91 - dernière édition\*\* et à tous les codes et ordonnances locaux.

Un connecteur de conduit répertorié U.L. ou C.S.A. doit être prévu à chaque extrémité du conduit d'alimentation électrique (à l'appareil et à la boîte de jonction).

Vous pouvez obtenir des copies des normes mentionnées auprès de :

\* National Fire Protection Association Batterymarch Park Quincy, Massachusetts 02269

\*\* CSA International 8501 East Pleasant Valley Road Cleveland, Ohio 44131-5575

## Préparation de l'appareil/de la plaque de cuisson pour l'installation :

**⚠ AVERTISSEMENT: Il s'agit d'un produit lourd ; l'appareil ne doit être soulevé et installé que par deux personnes ou plus.**

- L'air d'échappement ne doit pas être évacué dans un mur, un plafond ou un espace caché d'un bâtiment.
- Après avoir déballé le produit, vérifiez qu'il n'a pas été endommagé pendant le transport et, en cas de problème, contactez le revendeur ou le Service à la clientèle ou SAV avant de l'installer.
- Vérifiez que le produit est de taille adaptée à la zone d'installation.

- Vérifiez la présence d'accessoires (par exemple, sachets contenant des vis, certificats de garantie, etc.) à l'intérieur de l'emballage (protégés pour des raisons de transport). Retirez-les et conservez-les en lieu sûr, s'ils sont présents.
- Le produit ne peut pas être installé au-dessus d'appareils de refroidissement, de lave-vaisselle, de radiateurs, de fours, de machines à laver et de sèche-linge.

## Installation et raccordement

### Important - Conserver pour l'usage de l'inspecteur électrique local.

- En cas de problème, contactez le centre d'assistance ou SAV agréé. Pour éviter tout dommage, ne sortez l'appareil de son emballage qu'au moment de l'installation.
- Veuillez confier l'installation électrique et mécanique à du personnel spécialisé.
- Distance minimale d'installation : Un espace minimum de A = 30 " (76,2 cm) entre le dessus de la plaque de cuisson et le bouton de l'armoire en bois ou en métal non couverte (24 " [61 cm] une distance minimale si le fond de l'armoire en bois ou en métal doit être couverte de carton ignifuge ¼ " [0,6 cm] avec une feuille d'acier d'au moins MSG No. 28, 0,015 " [0,04 cm] d'acier inoxydable, ou 0,024 " [0,06 cm] d'aluminium ou 0,020 " [0,05 cm] de cuivre)
- Les distances minimales indiquées ci-dessus doivent être respectées, au cas où le fabricant de la cuisine indiquerait des distances plus importantes, celles-ci doivent être respectées.
- Afin d'éliminer le risque de brûlure ou d'incendie en passant la main au-dessus des unités de surface chauffées, veuillez éviter de placer des armoires de rangement au-dessus des unités de surface. Si des armoires de rangement sont prévues, le risque peut être réduit en installant une hotte de cuisine qui dépasse horizontalement d'au moins 5 pouces le bas des armoires.

### Installation de la plaque de cuisson à induction

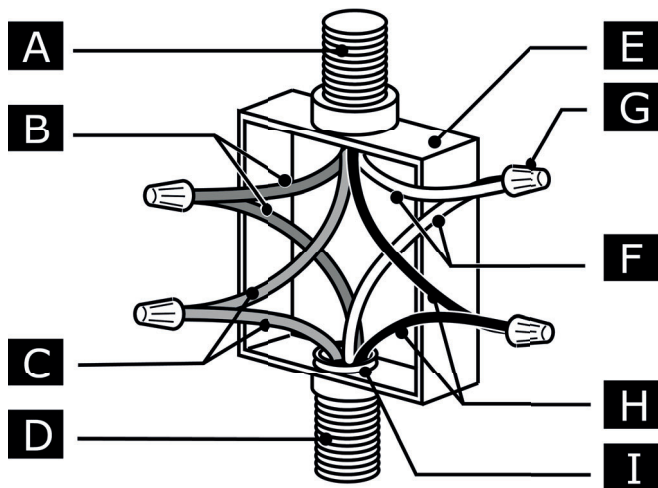
- Créez les découpes dans l'armoire avant d'insérer la plaque de cuisson et retirez soigneusement les copeaux ou la sciure de bois.
- Pour garantir une installation correcte du produit, il est recommandé de coller les tuyaux à l'aide d'un adhésif présentant les caractéristiques suivantes : Le ruban adhésif doit être conforme aux réglementations locales; ignifuge ; excellente résistance à l'usure ; résistant aux écarts de température ; utilisable à basse température.

**⚠ AVERTISSEMENT: Le fait de ne pas installer les vis et les fixations conformément à ces instructions peut entraîner des risques électriques.**

## Raccordement électrique

- Câble à 4 fils de l'alimentation domestique au câble à 4 fils de la surface de la cuisinière

**IMPORTANT** : Utilisez le câble à 4 fils de l'alimentation électrique domestique aux États-Unis où les codes locaux ne permettent pas la mise à la terre par le conducteur neutre, comme dans les maisons et les véhicules récréatifs, les nouvelles constructions et au Canada.

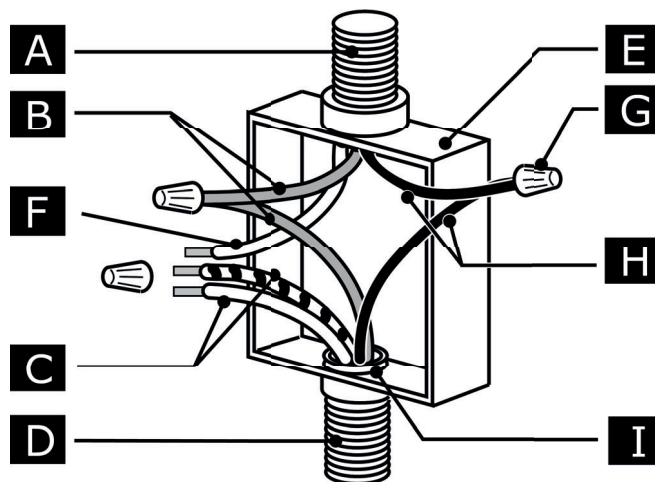


A	Câble provenant de l'alimentation électrique de la maison
B	Fils rouges
C	Fils de terre vert ou jaune-vert
D	Câble à 4 fils de la plaque de cuisson
E	Boîte de jonction
F	Fils blancs
G	Connecteur de fils homologué UL
H	Fils noirs
I	I. connecteur de conducteur conforme UL ou homologué par CSA

1. Connectez les 2 fils noirs ensemble avec les connecteurs de fils conformes UL
2. Connectez les 2 fils rouges ensemble avec les connecteurs de fils conformes UL
3. Connectez les 2 fils blancs ensemble avec les connecteurs de fils conformes UL
4. Connectez le fil de mise à terre verte (ou jaune-vert) du câble de la plaque de cuisson au fil de terre vert (ou jaune-vert) (dans la boîte de jonction) à l'aide des connecteurs de fils approuvés UL
5. Installez le couvercle de la boîte de jonction.

- Câble à 3 fils de l'alimentation électrique de la maison au câble à 4 fils de la plaque de cuisson - États-Unis seulement

**IMPORTANT** : Utilisez le câble à 3 fils de l'alimentation domestique lorsque les codes locaux permettent de connecter le conducteur de mise à la terre à la terre à la boîte de jonction (blanche) neutre.



A	Câble provenant de l'alimentation électrique de la maison
B	Fils rouges
C	C. Fil blanc et vert (ou jaune vert) (de la plaque de cuisson)
D	Câble à 4 fils de la plaque de cuisson
E	Boîte de jonction
F	Fils blancs
G	Connecteur de fils homologué UL
H	Fils noirs
I	I. connecteur de conducteur conforme UL ou homologué par CSA

1. Connectez les 2 fils noirs ensemble avec les connecteurs de fils conformes UL
2. Connectez les 2 fils rouges ensemble avec les connecteurs de fils conformes UL
3. Connectez le câble vert (ou jaune-vert) et blanc de cuisinière au fil blanc (neutre) du boîtier de jonction à l'aide des connecteurs de fils conformes UL
4. Installez le couvercle de la boîte de jonction.

## 2. UTILISATION

### UTILISATION DE LA PLAQUE DE CUISSON

Le système de cuisson à induction est basé sur le phénomène physique de l'induction magnétique. La principale caractéristique de ce système est le transfert direct de l'énergie du générateur à la casserole.

**Avantages :** Si l'on compare avec les plaques de cuisson électriques, votre plaque à induction est : **Plus sûre** : température inférieure à la surface du verre. **Plus rapide** : temps de chauffe des aliments réduit. **Plus précise** : la plaque réagit instantanément à vos commandes. **Plus efficace** : 90 % de l'énergie absorbée est transformée en chaleur. En outre, une fois la casserole enlevée, la transmission de chaleur est immédiatement interrompue, et évite ainsi une perte de chaleur inutile.

### UTILISATION DES RÉCIPIENTS POUR LA CUISSON

#### • Récipients pour la cuisson



Utiliser uniquement des poêles et des casseroles qui portent ce symbole.

#### Important :

pour éviter des dommages permanents à la surface de la plaque, ne pas utiliser :

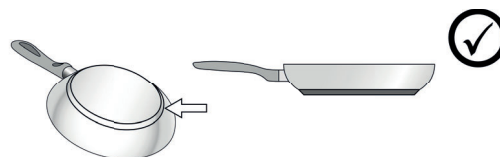
- des récipients dont le fond n'est pas parfaitement plat ;
  - des récipients en métal dont le fond est émaillé ;
  - des récipients dont la surface est rugueuse, pour éviter de rayer la surface de la plaque ;
  - ne jamais poser les casseroles et les poêles chaudes sur la surface du panneau de contrôle de la plaque.
  - Toutes les casseroles et poêles adaptées pour l'induction ne sont pas toutes efficaces en raison de fonds composés partiellement de matériau ferromagnétique !! Vérifier, lors de l'achat des casseroles ou des poêles, que :
    - le fond est entièrement en matériau ferromagnétique.
- Sinon, l'efficacité de transmission de la chaleur et son uniformité diminuent, la température de la surface de la casserole/poêle n'est plus adaptée à la cuisson



- Le fond ne contient pas d'aluminium : le récipient ne chauffe pas et ne pourrait ne pas être reconnu par les inducteurs.



- le fond n'est pas bombé ou avec une surface rugueuse.
- le fond ne supprime pas de surface de contact entre les inducteurs et le récipient et ne réduit pas l'efficacité et l'expérience de cuisson.



#### • Récipients préexistants

Vous pouvez vérifier si le matériau de la casserole est magnétique avec un simple aimant. Les casseroles ne sont pas appropriées si elles ne sont pas détectables magnétiquement. Les indications du paragraphe précédent sont valables même dans ce cas.

#### • Diamètres fonds de casseroles conseillés

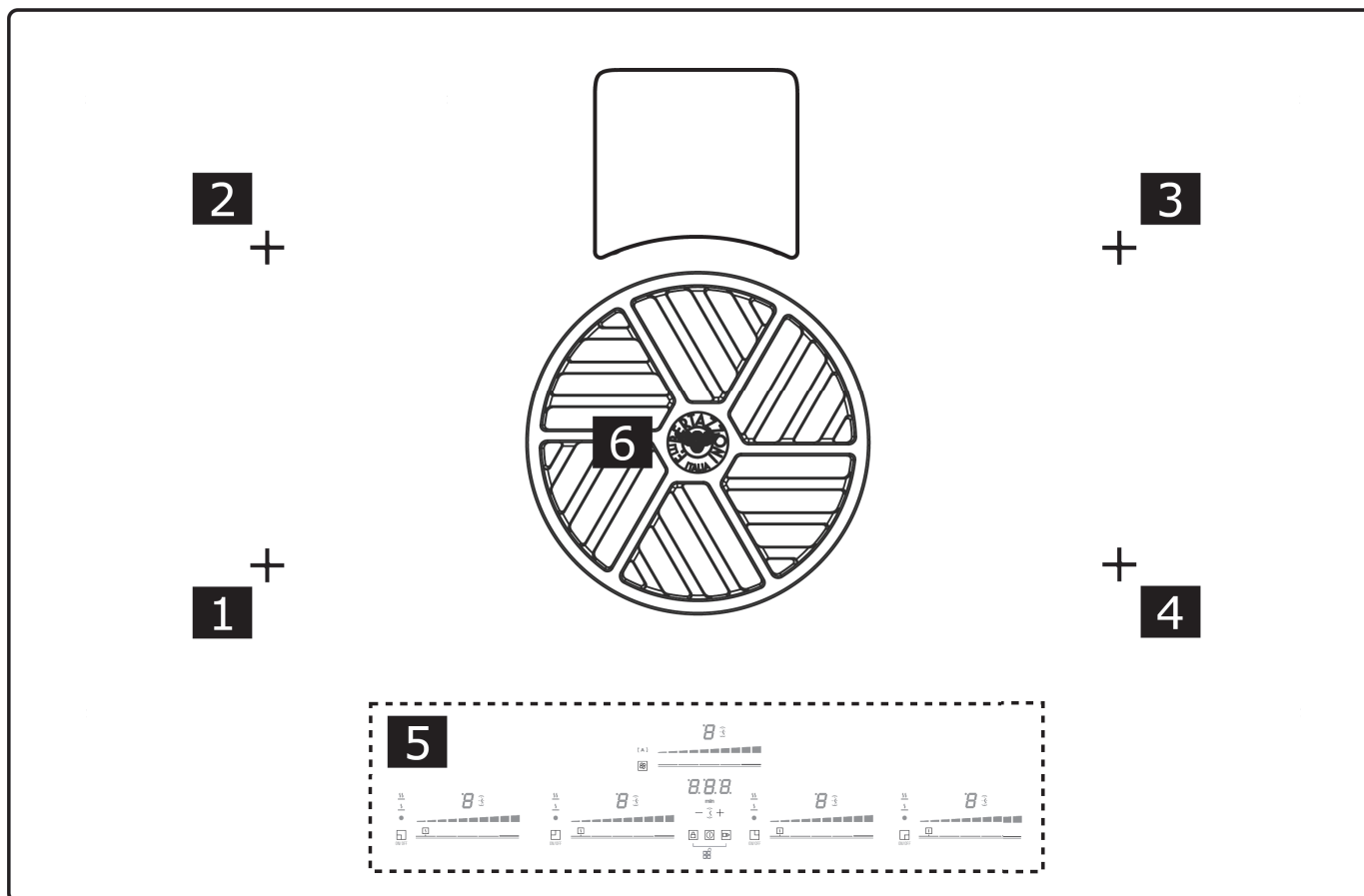
**IMPORTANT** : si les casseroles ne sont pas de la bonne taille, les zones de cuisson ne s'allument pas.

Pour voir le diamètre minimum de la casserole à utiliser sur chaque zone, consulter la partie illustrée de cette notice.

#### • Économie d'énergie

Utiliser du matériel de cuisson dont le fond a un diamètre identique à celui de la zone de cuisson ; utiliser uniquement du matériel de cuisson à fond plat ; - Si possible, laisser le couvercle sur les casseroles durant la cuisson ; Cuire les légumes, les pommes de terre, etc. avec une petite quantité d'eau afin de réduire le temps de cuisson ; utiliser une cocotte-minute, elle réduit encore plus la consommation d'énergie et le temps de cuisson ; placer la casserole au centre de la zone de cuisson tracée sur la plaque.

### 3. DESCRIPTION DU PRODUIT

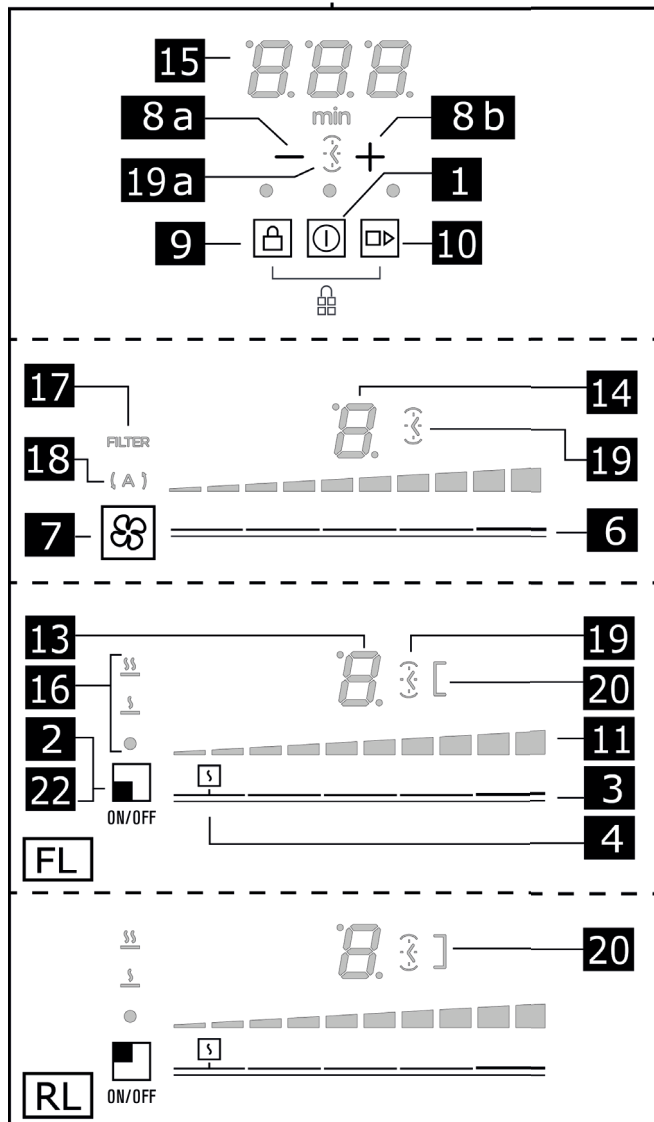
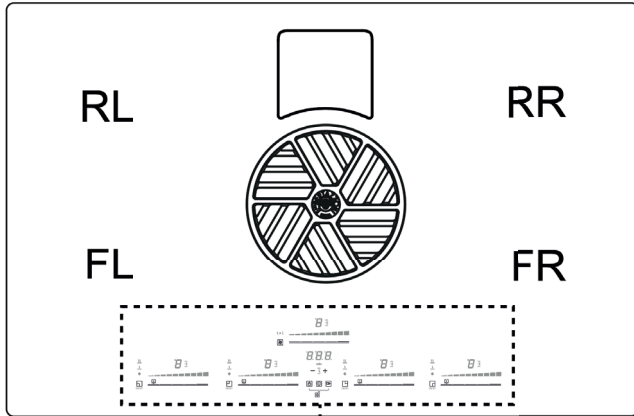


1	Zone de cuisson unique ; casserole min. $\varnothing 4^{23/32}$ " (120mm) 2100W, avec Booster 3700W
2	Zone de cuisson unique ; casserole min. $\varnothing 4^{23/32}$ " (120mm) 2100W, avec Booster 3700W
3	Zone de cuisson unique ; casserole min. $\varnothing 4^{23/32}$ " (120mm) 2100W, avec Booster 3700W
4	Zone de cuisson unique ; casserole min. $\varnothing 4^{23/32}$ " (120mm) 2100W, avec Booster 3700W
5	Panneau de commande
6	Extracteur
1+2	Zone de cuisson en pont $8\ 21/32$ " x $4\ 23/32$ " (220 x 120mm) 3700W
3+4	Zone de cuisson en pont $8\ 21/32$ " x $4\ 23/32$ " (220 x 120mm) 3700W



# 4. FONCTIONNEMENT

## PANNEAU DE COMMANDE



Touche	
1	Marche/arrêt de la plaque de cuisson / hotte aspirante pour la plaque de cuisson
2	Indicateur de position de la zone de cuisson
3	Sélection de la zone de cuisson Augmentation/diminution du niveau de puissance
4	Activation du gestionnaire de température
5	Touches du ventilateur
6	Sélection du ventilateur d'extraction Augmentation/diminution de la vitesse d'extraction (puissance)
7	Activation des fonctions automatiques Réinitialiser la saturation du filtre
8a 8b	Activation de la minuterie / Augmentation / Diminution de la valeur de la minuterie
9	Verrouillage des touches
9+10	Sécurité enfants
10	Pause / Rappel
22	ON/OFF Zone de cuisson

Affichage / LED	
11	Visualiser le niveau de puissance
12	Visualiser la vitesse d'extraction (puissance)
13	Affichage de la zone de cuisson
14	Affichage de la turbine d'extraction
15	Affichage de la minuterie
16	Affichage du gestionnaire de température
17	Indicateur d'assistance au filtrage
18	Indicateur de la fonction d'extraction automatique
19	Indicateur de minuterie actif
19a	
20	Indicateur de pont actif

### À SAVOIR AVANT DE COMMENCER

Toutes les fonctions de cette plaque de cuisson sont conçues pour se conformer aux normes de sécurité les plus strictes. Pour cette raison :


- **Certaines fonctions ne s'activent pas, ou s'éteignent automatiquement, en l'absence de casseroles sur les feux ou si celles-ci sont mal placées.**

- Dans d'autres cas, les fonctions activées se désactivent automatiquement après quelques secondes lorsque la fonction sélectionnée nécessite un autre réglage qui n'est

pas donné (ex. : « Allumer la plaque de cuisson » sans « Sélectionner la zone de cuisson » et la « Température de fonctionnement », ou bien la « Fonction Lock (verrouillage) » ou « Timer »).

Attendre que l'affichage se coupe avant de s'approcher de la zone de cuisson.









**Attention !** En cas (par exemple) d'utilisation prolongée, l'extinction de la zone de cuisson pourrait ne pas être immédiate en phase de refroidissement ; sur l'afficheur des

zones de cuisson apparaît le symbole  indiquant que la phase est active. Attendre que l'affichage se coupe avant de s'approcher de la zone de cuisson.

## AFFICHEUR ZONE DE CUISSON

### Affichage de la zone de cuisson

Les affichages des zones de cuisson présentent les éléments suivants :

Zone de cuisson activée	
Niveau de puissance	
Indicateur de chaleur résiduelle	
Détecteur de casseroles	
Fonction de gestion de la température active	
Fonction de sécurité enfant active	
Fonction Pause	
Fonction de mise en chauffe automatique	

## CARACTÉRISTIQUES DE LA PLAQUE

### • Safe Activation

L'appareil s'active uniquement en présence de casseroles sur les zones de cuisson : le processus de chauffe ne se déclenche pas sans casseroles et s'arrête en les enlevant.


### • Pot Detector

L'appareil détecte automatiquement la présence de casseroles sur les zones de cuisson.

### • Safety Shut Down

Pour des raisons de sécurité, chaque zone est dotée d'un temps de fonctionnement maximal qui dépend du niveau de puissance programmé.

### • Residual Heat Indicator

À l'extinction d'une ou plusieurs zones de cuisson, la présence de chaleur résiduelle est signalée par un signal visuel sur l'afficheur de la zone correspondante, par le symbole .

## UTILISATION DE LA PLAQUE DE CUISSON

### FONCTIONNEMENT DE LA PLAQUE DE CUISSON

**Remarque :** Avant d'activer une quelconque fonction, veuillez activer la zone souhaitée.

#### • Mise sous tension

Appuyer (toucher) **ON/OFF(1)** la plaque de cuisson/extracteur.

Le témoin lumineux s'allume pour indiquer que la plaque de cuisson/extracteur est prêt à être utilisé.

Appuyez à nouveau sur cette touche pour éteindre l'appareil.

Remarque : Cette fonction est prioritaire sur les autres.

#### • Sélection de la zone de cuisson

Touchez (appuyez) sur la **symbole ON/OFF (22)** correspondant à la zone de cuisson que vous souhaitez utiliser, puis appuyez sur la touche **Barre de sélection (3)**.

#### • 9 niveaux de puissance


La plaque de cuisson comporte 9 niveaux de puissance

Touchez et faites glisser vos doigts le long de la **barre de sélection (3)** :


vers la droite pour augmenter le niveau de puissance ;  
vers la gauche pour diminuer le niveau de puissance.

#### • Booster de puissance

Le produit dispose d'un niveau de puissance

supplémentaire (après le niveau ) , qui reste actif pendant 10 minutes, après quoi la température revient à la valeur précédemment définie.

Touchez et faites glisser avec vos doigts le long des **barre**

**de sélection (3)** (au-dessus du niveau ) et activez le Power Booster.

Le niveau du Power Booster est indiqué sur l'écran de la

zone sélectionnée par le symbole «  »

#### • Zones de pont

Grâce à la fonction de pont, les zones de cuisson peuvent fonctionner de manière combinée, en créant une seule zone avec le même niveau de puissance. Cette fonction permet une cuisson uniformément répartie avec des casseroles et des poêles de grandes dimensions.

Il est possible de combiner la zone de cuisson gauche (**FL+RL**) et/ou la zone de cuisson droite (**RR+FR**),

*Activation de la fonction Pont :*

- sélectionnez simultanément les deux zones de cuisson que vous souhaitez utiliser (**FL+RL**) ou (**RR+FR**)

- les indicateurs Bridge (**20**) des deux zones de cuisson s'allument en même temps.

- Gérez le niveau de puissance du pont de gauche à l'aide de la **barre de sélection (3-RL)** Gérez le niveau de puissance du pont de droite à l'aide de la barre de sélection (3-RL). **barre de sélection (3-FR)**

*Désactivation de la fonction de pont :*  
répéter la même procédure d'activation.

- **Gestionnaire de températures**


Gestionnaire de températures est une fonction qui vous permet de définir la température prédéfinie la plus appropriée pour obtenir le résultat souhaité. Il existe deux niveaux.

« **Fusion** » **Niveau** : Identifie un niveau de cuisson approprié pour faire fondre lentement les produits délicats sans compromettre leurs caractéristiques sensorielles (chocolat, beurre, etc.).

**Niveau** « **Réchauffement** » : Identifie un niveau de cuisson approprié pour permettre de maintenir délicatement l'aliment à la même température, sans le laisser bouillir.

*Activation du gestionnaire de températures :*

- Sélectionnez la zone de cuisson souhaitée.
- Appuyez sur le symbole **(4)** une fois pour activer le


niveau « **Fusion** »  : à partir du **niveau "Fusion"**, appuyez sur le symbole **(4)** et maintenez-le appuyé quelques secondes pour passer au niveau **Niveau**

« **Réchauffement** »  .

**Fusion** : Identifie un niveau de cuisson approprié pour faire fondre lentement les produits délicats sans compromettre leurs caractéristiques sensorielles (chocolat, beurre, etc.).

**Réchauffement** : Il identifie un niveau de cuisson approprié pour permettre de maintenir délicatement l'aliment à la même température, sans le laisser bouillir.

*Désactivation de la Gestion des températures :*

Appuyez sur le symbole **(4)** à nouveau  
Le symbole suivant apparaît sur l'écran de la zone fonctionnant en mode Gestion des températures .

- **Verrouillage des touches**

Le verrouillage des touches permet de verrouiller les réglages de la plaque de cuisson pour éviter toute manipulation accidentelle, tout en laissant les fonctions programmées activées.

*Activation du verrouillage des touches :*

- appuyez sur **(9)**
- le témoin situé au-dessus de la touche s'allume pour indiquer que le verrouillage a été activé.

*Désactivation du verrouillage des touches :*

- Répétez l'opération d'activation.

- **Sécurité enfants**

La sécurité enfant permet d'empêcher les enfants d'accéder accidentellement à la zone de cuisson et à la zone d'extraction, en empêchant l'activation de toute fonction.

La sécurité enfant ne peut être activée que si le produit est allumé, mais avec les zones de cuisson (et la zone d'extraction) éteintes.

*Activation de la sécurité enfants :*

- retirez les casseroles de la plaque de cuisson
- appuyez simultanément sur les touches **(9)+(10)** un signal sonore indique que la fonction est activée et un message

 s'affiche sur les écrans (13) et (14). **(13) et (14)**.

*Désactivation de la sécurité enfants :*

Répétez l'opération d'activation.

- **Minuterie**

La fonction Minuterie est un compte à rebours, qui peut être réglé pour chaque zone de cuisson (et zone d'aspiration), même simultanément.

**Remarque** : La minuterie est un simple avertisseur sonore qui, à la fin des minutes programmées, n'éteint pas la zone de cuisson.

*Activation/Régulation de la fonction Minuterie de la plaque de cuisson*

- Sélectionner la zone de cuisson (Puissance différente de 0)
- Appuyez simultanément sur les touches **(8a) et (8b)** pour accéder à la fonction Minuterie
- Réglez la durée de la minuterie :  
appuyez sur le sélecteur **(8b)**, pour augmenter le temps d'arrêt automatique; appuyez sur le sélecteur **(8a)**, pour diminuer le temps d'arrêt automatique.

Si vous le souhaitez, répétez l'opération pour les autres zones de cuisson.

**Remarque** : Chaque fois que vous appuyez simultanément sur les deux touches, vous passez à l'heure active suivante.


**Remarque** : Chaque zone de cuisson peut avoir une minuterie différente ; sur l'écran, **(15)** le compte à rebours de la dernière zone de cuisson sélectionnée sera affiché pendant 10 secondes, puis le compte à rebours avec le moins de temps restant sera affiché.

Lorsque la minuterie a terminé le compte à rebours, un signal sonore retentit pendant 2 minutes, tandis que

l'afficheur **(15)** clignote avec le symbole **0.00**.

**Remarque** : Il est possible de désactiver le signal sonore en appuyant sur le sélecteur **(8b)** ou sur le sélecteur **(8a)**,  
Remarque : à côté de l'affichage de la zone de cuisson, lorsque la Minuterie est en cours d'utilisation, le symbole **(19)** est affiché

*Arrêt de la minuterie :*

- sélectionnez la zone de cuisson
- réglez la minuterie  en utilisant **(8a)**

**Remarque** : la fonction reste active si aucune autre touche n'est actionnée entre-temps.

#### • Minuterie œuf

La fonction Minuterie œuf **(19a)** est un compte à rebours indépendant des zones de cuisson (et de la zone d'extraction). Elle est activée en appuyant sur **(8a)** et **(8b)**.

**Remarque** : Pour régler la fonction Minuterie œuf, suivez la même procédure que pour la fonction Minuterie.

Lorsque la minuterie a terminé le compte à rebours, un signal sonore retentit pendant 2 minutes, tandis que


l'afficheur **(15)** clignote avec le symbole .

**Remarque** : Il est possible de désactiver le signal sonore en appuyant sur le sélecteur **(8b)** ou sur le sélecteur **(8a)**,

#### • Pause

La fonction Pause permet de suspendre les fonctions actives de la plaque de cuisson, en ramenant la puissance de cuisson à zéro.

*Activation de la Pause :*

- appuyez sur **(10)**
- un  s'affiche dans **(13)** et **(14)**.

*Désactivation de la pause :*

**Remarque** : Cette opération rétablit les conditions de la plaque de cuisson avant la pause.

- appuyez sur **(10)**
- dans les 10 secondes, faites défiler vers la droite avec vos doigts le long de la barre de sélection **(3)**. **barre de sélection (3)** qui s'allume.

**Remarque** : si l'opération n'est pas effectuée dans ce délai, la fonction Pause restera active.

**Remarque** : si, après 10 minutes, la fonction Pause n'est pas désactivée, la plaque de cuisson s'éteint automatiquement.

#### • Rappel

La fonction Rappel permet de récupérer les réglages de la plaque de cuisson en cas d'arrêt accidentel.

*Activation de la fonction Rappel :*

- remettre la plaque de cuisson en marche **(1)** dans les 6 secondes qui suivent l'arrêt
- appuyez sur **(10)** dans les 6 secondes suivantes

#### • Chauffage automatique

La fonction Chauffage automatique permet d'atteindre plus rapidement la puissance programmée; grâce à cette fonction, il est possible de cuire plus rapidement les aliments sans risque de les brûler, à condition que la température ne dépasse pas le niveau programmé.

Cette fonction est disponible pour les niveaux de puissance de 1 à 8.

*Activation :*

- sur la **barre de sélection (3)**, appuyez et maintenez enfoncée la puissance souhaitée

- un  s'affiche dans **(13)**.

## UTILISATION DE L'EXTRACTEUR

### UTILISATION DU VENTILATEUR EXTRACTEUR

#### • Mise en marche de l'extracteur

- Appuyer sur (toucher) **ON/OFF(1)** la plaque de cuisson/extracteur. Le témoin lumineux s'allume pour indiquer que la plaque de cuisson/extracteur est prêt à être utilisé.

**Remarque** : Cette fonction est prioritaire sur les autres.

Touchez (appuyez) sur la **barre de sélection (6)** pour activer la hotte aspirante.

#### • Vitesse d'extraction (puissance):

- Touchez et faites glisser vos doigts le long de la **barre de sélection (6)** :

vers la droite pour augmenter la vitesse d'extraction (puissance) (0-4) ;

vers la gauche pour diminuer la vitesse d'extraction (puissance) (4-0) ;

#### • Minuterie du ventilateur d'extraction

*Activation/Régulation du ventilateur d'extraction fonction Minuterie*

- Sélectionnez l'extracteur (vitesse différente de 0).

- Appuyez sur **(8a)** et **(8b)** pour accéder à la fonction Minuterie (à partir de n'importe quelle vitesse).

- Réglez la durée de la minuterie :

appuyez sur le sélecteur **(8b)** pour augmenter le temps d'arrêt automatique; appuyez sur le sélecteur **(8a)** pour diminuer le temps d'extinction automatique ; l'afficheur **(15)** affiche le compte à rebours,

**Remarque** : sur le côté de l'affichage du ventilateur extracteur, lorsque la fonction Minuterie est en cours d'utilisation, le symbole **(19)** est affiché

Lorsque la minuterie a terminé le compte à rebours, un signal sonore retentit (pendant 2 minutes, ou s'arrête en appuyant sur n'importe quelle touche de la plaque de cuisson), tandis que l'affichage (15) clignote avec le symbole **0.00**.

*Arrêt de la minuterie :*

- sélectionnez la zone de cuisson

- réglez la minuterie sur **0** (8a)

**Remarque :** la fonction reste active si aucune autre touche n'est actionnée entre-temps.

• **Indicateur de saturation du filtre**

La hotte indique quand l'entretien du filtre est nécessaire :

- Filtre à graisse : la LED (17) s'allume

- Filtre anti-odeurs à charbon actif : la LED (17) clignote

Réinitialiser la saturation du filtre

Après l'entretien du filtre (graisse et/ou charbon actif), appuyez et maintenez la touche (18): la LED (17) s'éteint et l'indicateur est remis à zéro.

*Activation de l'indicateur de saturation du filtre anti-odeurs à charbon actif*

**Remarque :** Cet indicateur est normalement désactivé.

- mettez l'extracteur en marche en appuyant sur **ON/OFF(1)**

- le moteur d'extraction et les zones de cuisson étant éteints, appuyez et maintenez enfoncée la touche (18)

- le voyant (17) au-dessus du bouton s'allume, puis s'éteint, pour indiquer qu'il a été activé.

*Désactivation de l'indicateur de saturation du filtre anti-odeurs à charbon actif*

- répétez l'opération décrite ci-dessus pour l'activation ;

- le voyant (17) clignote, puis s'éteint, pour indiquer qu'il a été désactivé.

• **Mode automatique**











La hotte s'allume à la vitesse la plus appropriée, en adaptant la capacité d'aspiration au niveau de cuisson maximum utilisé dans la zone de cuisson.

Lorsque la plaque de cuisson est éteinte, la hotte adapte sa vitesse d'extraction, en la diminuant progressivement, afin d'éliminer toute vapeur résiduelle et toute odeur.

*Activation du mode automatique :*


Appuyez sur (7) brièvement : la LED (18) s'allume pour indiquer que la hotte fonctionne dans ce mode.

## TABLEAU DE PUISSANCE

Niveau de puissance		Typologie de cuisson	Utilisation (selon l'expérience et les habitudes de cuisson)
Puissance maximale		Réchauffer rapidement	augmentation rapide de la température de l'aliment jusqu'à ébullition en cas d'eau ou réchauffer rapidement les liquides de cuisson
		Frire - bouillir	brunir, commencer une cuisson, frire des produits surgelés, bouillir rapidement
Puissance élevée		Faire revenir – rissoler - bouillir - griller	faire rissoler, maintenir une ébullition vive, cuire et griller (à courtes durées, 5 à 10 minutes)
		Faire revenir - cuire – cuire à l'étouffée – rissoler - griller	faire rissoler, maintenir une ébullition vive, cuire et griller (à courtes durées, 10 à 20 minutes)
Puissance moyenne		Cuire - cuire à l'étouffée - brunir - griller	étouffer, maintenir en ébullition douce, cuire (pour une longue période), remuer les pâtes
		cuire - mijoter - épaissir, remuer	cuisson prolongée (riz, sauces, rôtis, poissons) en présence de liquides d'accompagnement (ex. eau, vin, bouillon, lait), remuer les pâtes
		cuire - mijoter - épaissir, remuer	cuisson prolongée (volumes inférieurs au litre : riz, sauces, rôtis, poissons) en présence de liquides d'accompagnement (ex. eau, vin, bouillon, lait)
Faible Puissance		Faire fondre - dégeler - garder au chaud – rendre crémeux	fondre le beurre, le chocolat délicatement, décongeler les produits de petites dimensions
		Faire fondre - dégeler - garder au chaud – rendre crémeux	garder chaud des petites portions justes cuisinées ou garder en température des plats à servir et remuer des risottos
OFF		Surface d'appui	Plaque de cuisson en position stand-by ou coupé (présence possible de chaleur résiduelle de la fin de la cuisson, signalée par H-L-O)

## 5. ENTRETIEN

**Attention ! Avant toute opération de nettoyage ou d'entretien, s'assurer que les zones de cuisson sont éteintes et le voyant de chaleur a disparu.**

 Pour l'entretien du produit, voir les images à la fin de l'installation marquées de ce symbole.

### ENTRETIEN DE LA PLAQUE DE CUISSON

#### • Nettoyage de la plaque à induction

La plaque de cuisson doit être nettoyée après chaque utilisation.

#### Important :

- Ne pas utiliser d'éponges à récurer, de paillettes de fer. Leur utilisation, avec le temps, pourrait abîmer le verre.
- Ne pas utiliser de produits chimiques irritants, tels que les sprays pour fours ou les détachants.

#### • NE PAS UTILISER DE NETTOYEURS VAPEUR !!!

Après chaque utilisation, laisser refroidir la plaque et la nettoyer pour enlever les dépôts et les taches causées par des résidus alimentaires. Le sucre ou les aliments à haute teneur en sucre endommagent la plaque de cuisson et doivent être immédiatement éliminés. Le sel, le sucre et le sable peuvent rayer la surface du verre. Utiliser un chiffon doux, des serviettes en papier ou des produits spécifiques pour le nettoyage de la plaque (suivre les instructions du fabricant).

#### • D Nettoyage du bac de récupération des liquides :

En cas de gros débordements accidentels de liquides des casseroles, il est possible d'intervenir à travers le robinet d'évacuation placé dans la partie inférieure du produit, afin d'éliminer tout résidu et assurer ainsi le maximum d'hygiène.

Pour un nettoyage plus complet et approfondi, enlever complètement le bac inférieur.

#### • E Nettoyage de la grille métallique :

La grille doit être lavée à la main avec de l'eau chaude et du détergent neutre et correctement séchée pour éviter tout phénomène d'oxydation.

### ENTRETIEN DE L'EXTRACTEUR

#### • Nettoyage de l'extracteur :

Pour le nettoyage, utiliser **EXCLUSIVEMENT** un chiffon imbibé de détergent liquide neutre.

**NE PAS UTILISER D'USTENSILES OU OUTILS DE NETTOYAGE !**

Éviter l'usage de produits à base d'agents abrasifs. **NE PAS UTILISER D'ALCOOL !**

#### • A Entretien des Filtres à graisse :

**Il retient les particules de graisse dérivantes de la cuisson.**

Il doit être nettoyé une fois par mois (ou quand l'indicateur de saturation des filtres l'indique), avec des détergents non agressifs, à la main ou au lave-vaisselle à basse température et cycle rapide. Avec le lavage au lave-vaisselle, le filtre anti-graisse métallique peut décolorer mais ses caractéristiques de filtrage restent les mêmes.

#### • B Entretien du Filtre à charbon actif – Céramique (Uniquement pour Version Filtrante) :


**Il retient les odeurs désagréables de la cuisson.**

**L'appareil est fourni avec un kit filtre anti-odeur.**

La saturation du charbon actif se constate après un emploi plus ou moins long, selon la fréquence d'utilisation et la régularité du nettoyage du filtre à graisses. Ces filtres anti-odeur peuvent être soumis à une régénération thermique tous les 2/3 mois dans un four préchauffé à 200 °C pendant 45 minutes. Une régénération correcte assure une efficacité de filtrage constante pendant 5 ans.

**Attention !** Ne pas poser les filtres sur le fond du four mais dans un plat à un niveau intermédiaire.

## 6. ASSISTANCE

CODE D'INFORMATION	DESCRIPTION	CAUSES POSSIBLES	SOLUTION
E2	La zone de commande s'éteint à cause d'une température trop élevée	La température à l'intérieur des parties électroniques est trop élevée	Attendez que la plaque de cuisson refroidisse avant de la réutiliser
ERR03 + signal sonore 	L'activation continue (permanente) de la touche est détectée. L'interface s'éteint après 10 secondes.	De l'eau, des casseroles ou des de cuisine de cuisine se trouvent au-dessus l'interface utilisateur.	Nettoyez la surface, retirez tout objet de la surface.
Pour tous les autres Signaux (E ... U ...	) Appelez le centre d'assistante ou SAV et signalez le code d'erreur		

Avant de contacter le Service Clientèle

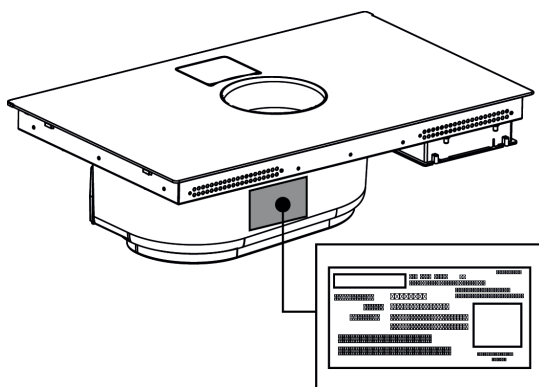
1. Vérifiez que vous ne pouvez pas résoudre le problème vous-même sur la base des points décrits dans "Recherche des pannes".

2. Éteindre et rallumer l'appareil pour s'assurer que la panne est résolue.

**Si le problème persiste après les susdites vérifications, contacter le Service Clientèle le plus proche.**

## 7. DONNÉES TECHNIQUES

Les informations techniques se trouvent sur la plaque signalétique située sur le côté intérieur de l'appareil.



## SERVICE CLIENTÈLE

---

Pour toute information sur la garantie et demande de service, contactez-nous:



Aux États-Unis :  
Au Canada:

<https://us.bertazzoni.com/more/support>  
<https://ca.bertazzoni.com/more/support>







# 1. INFORMACIÓN DE SEGURIDAD

## Antes del primer uso

Su seguridad y la de los demás es primordial. Retire las piezas de protección de cartón, la película protectora y las etiquetas adhesivas de los accesorios. Compruebe que el aparato no ha sufrido daños durante el transporte y no coloque ningún peso sobre él. No exponga el aparato a los agentes atmosféricos. Este manual y el propio aparato contienen importantes advertencias de seguridad que deben ser leídas y observadas en todo momento.

**⚠** Este es el símbolo de atención, perteneciente a la seguridad, que alerta a los usuarios de los riesgos potenciales para ellos mismos y para los demás. Todas las advertencias de seguridad van precedidas del símbolo de atención y de los siguientes términos:

**⚠ PELIGRO:** indica una situación peligrosa que, si no se evita, causará lesiones graves.

**⚠ ADVERTENCIA:** Indica una situación peligrosa que, si no se evita, podría causar lesiones grave

Todas las advertencias de seguridad dan detalles específicos del peligro/advertencia potencial presente e indican cómo reducir el riesgo de lesiones, daños y descargas eléctricas resultantes del uso inadecuado del aparato. Observe atentamente las siguientes instrucciones.

## INSTRUCCIONES DE SEGURIDAD IMPORTANTES

## LEA Y GUARDE ESTAS INSTRUCCIONES

**⚠ ADVERTENCIA:** Para reducir el riesgo de incendio, choque eléctrico, lesiones a personas o daños al usar la placa de cocción, siga las precauciones básicas, incluyendo las siguientes:

¡PRECAUCIÓN!: No guarde objetos de interés para los niños en los gabinetes que se encuentran encima de la placa de cocción – Si los niños se suben a la placa de cocción para alcanzar los objetos podrían sufrir lesiones graves.

Instalación Correcta – Asegúrese de que su placa de cocción sea conectada a tierra por un técnico calificado. Nunca Use la Placa de Cocción para Calentar la Habitación.

- No Deje a los Niños Solos – Los niños no deben quedarse solos o sin vigilancia en el área donde la placa de cocción está en uso. Nunca se les debe permitir sentarse o pararse en ninguna parte de la placa de cocción.
- Use Ropa Apropiaada – No se debe usar ropa holgada o prendas que cuelguen cuando se usa la placa de cocción.
- Mantenimiento Hecho por el Usuario - No repare ni reemplace ninguna de las partes de la placa de cocción, a menos que se recomiende específicamente en este manual. Cualquier otro tipo de mantenimiento debe ser remitido a un técnico cualificado.
- Almacenamiento sobre la Placa de Cocción - No se deben conservar materiales inflamables cerca de las unidades de la superficie de cocción.
- No Utilice Agua para Apagar un Fuego Provocado por Grasa – Sofoque las llamas o utilice productos químicos secos o un extinguidor de espuma.
- Solo Utilice Agarradores Secos – Los agarradores húmedos o mojados sobre superficies calientes pueden provocar quemaduras por vapor. No permita que los agarradores toquen los elementos de calentamiento que estén calientes. No utilice toallas u otros paños gruesos.
- NO TOQUE LAS UNIDADES DE LA SUPERFICIE DE COCCIÓN U OTRAS ZONAS CERCANAS A ESTAS – Las unidades de la superficie pueden estar calientes aunque tengan un color oscuro. Las zonas cercanas a las unidades de la superficie de cocción pueden calentarse lo suficiente como para causar quemaduras. Durante y después del uso, no toque ni deje telas u otros materiales inflamables cerca de las unidades de la superficie de cocción hasta que haya transcurrido el tiempo suficiente para que se enfrien. Entre esas zonas se encuentran la placa de cocción y las superficies que miran hacia la placa de cocción.
- Utilice Cacerolas de Tamaño Adecuado – Esta placa de cocción está equipada con una o más unidades de superficie de diferente tamaño. Seleccione utensilios con fondos planos lo suficientemente grandes como para cubrir el elemento calefactor de la unidad de superficie. La relación adecuada del utensilio con el quemador también mejorará la eficiencia.
- Nunca Descuide las Unidades de Superficie al Trabajar a Altas Temperaturas - El hervor provoca humos y los derrames de grasa pueden prenderse fuego.
- Utensilios de Cocina Vidriados – Solo ciertos tipos de vidrio, vidrio/cerámica, cerámica, loza de barro u otros utensilios vidriados son adecuados para utilizarlos en la placa de cocción sin que se rompan debido al cambio repentino de temperatura.
- Los Mangos de los Utensilios Deben Colocarse Hacia Adentro y No Deben Extenderse Sobre las Unidades de la Superficie Adyacentes – Para reducir el riesgo de quemaduras, incendio de materiales inflamables y derrames debidos al contacto accidental con el utensilio, siempre coloque el mango de los utensilios hacia adentro.

tro, de manera que no se extiendan sobre las unidades de la superficie adyacentes ni sobre el borde de la placa.

- No Cocine en una Placa de Cocción Rota – Si la placa de cocción se rompe, las soluciones de limpieza y los derrames pueden penetrar en la placa de cocción rota y crear un riesgo de descarga eléctrica. Póngase en contacto con un técnico cualificado de inmediato.
- Limpie la Placa de Cocción con Precaución – Si utiliza una esponja húmeda o un paño para limpiar derrames en una superficie caliente, tenga cuidado para evitar quemaduras por vapor. Algunos limpiadores pueden producir emanaciones tóxicas si se aplican en una superficie caliente.
- No coloque objetos metálicos como cuchillos, tenedores, cucharas y tapas sobre la superficie de la placa de cocción, ya que pueden sobrecalentarse.

#### **Para unidades con campana de extracción –**

- Limpiar las Campanas de Extracción Frecuentemente - No debe permitir que la grasa se acumule en la campana o en el filtro.
- Cuando tenga que flambear alimentos debajo de la campana, encienda el ventilador.

#### **Para unidades con elementos con bobinas –**

- Asegúrese de que los Platillos Reflectantes o los Cuencos Recogegotas Estén en su Lugar – La ausencia de estos platillos o cuencos durante la cocción pueden dañar el cableado o los componentes que están debajo.
- Revestimientos protectores - No utilice papel de aluminio para revestir las cubetas de goteo de la unidad de superficie, excepto como se sugiere en el manual. La instalación incorrecta de estos revestimientos puede causar un riesgo de descarga eléctrica o incendio. No Remoje Los Elementos de Calentamiento Desmontables – Los elementos de calentamiento nunca se deben sumergir en agua.

Esta placa de inducción genera y utiliza energía con frecuencia ISM que calienta los utensilios de cocina mediante un campo electromagnético. Ha sido sometida a pruebas y cumple con la Parte 18 de las normas de la Comisión Federal de Comunicaciones (Federal Communications Commission, FCC) para los equipos ISM. Esta placa de inducción cumple con los requisitos de la FCC para minimizar la interferencia con otros dispositivos en instalaciones residenciales.

Esta placa de inducción puede causar interferencias con la recepción de la televisión o la radio. Si se produce interferencia, el usuario debe intentar corregir la interferencia de la siguiente manera:

Cambiando de sitio la antena receptora de la radio o televisión;

Aumentando la distancia entre la placa de cocción y el receptor;

Conectando el receptor en una toma de corriente diferente. Es responsabilidad del usuario corregir cualquier interferencia.

**⚠ ADVERTENCIA:** Las personas con un marcapasos o con un dispositivo médico similar deben tener cuidado cuando se paren cerca de esta placa de inducción en funcionamiento. El campo electromagnético puede afectar el marcapasos o dispositivo similar. Consulte a su médico o al fabricante del marcapasos o del dispositivo médico similar para obtener más información sobre sus efectos en combinación con los campos electromagnéticos de una placa de inducción

¡Precaución! Observe estrictamente las siguientes instrucciones:

El aparato debe desconectarse de la red eléctrica antes de realizar cualquier trabajo de instalación.

- La instalación o el mantenimiento deben ser realizados por un técnico cualificado, respetando las instrucciones del fabricante y las normas de seguridad locales. No repare ni cambie ninguna pieza del aparato si el manual de instrucciones no lo indica expresamente.
- Es obligatorio conectar el aparato a tierra.
- No utilice enchufes múltiples ni alargadores.
- Una vez terminada la instalación, el usuario no debe poder acceder a los componentes eléctricos.
- El aparato y sus partes accesibles se calientan durante el uso. Tenga cuidado de no tocar las resistencias.
- Asegúrese de que los niños no jueguen con el aparato; manténgalos siempre alejados y vigílelos, ya que las partes accesibles pueden calentarse mucho durante el uso.
- Para las personas con marcapasos e implantes activos es importante comprobar, antes de utilizar la placa de inducción, que su marcapasos es compatible con el aparato.
- Durante y después del uso, no toque los elementos de calentamiento del aparato.
- Evite el contacto con paños u otros materiales inflamables hasta que todos los componentes del aparato se hayan enfriado lo suficiente.
- No coloque materiales inflamables encima o cerca del aparato.
- Las grasas y los aceites sobrecalentados se incendian fácilmente. Supervise la cocción de alimentos ricos en grasa y aceite.
- Si la superficie está agrietada, apague el aparato para evitar posibles descargas eléctricas.
- El aparato no está pensado para funcionar con un temporizador externo o un sistema de control remoto independiente.
- Cocinar sin vigilancia en una placa de cocción con aceite o grasa puede ser peligroso y provocar un incendio.
- Es necesario vigilar el proceso de cocción. Los procesos de cocción breves deben vigilarse constantemente.
- NO intente apagar NUNCA el fuego con agua. En lugar de eso, apague el aparato y sofoque las llamas, por ejemplo, con una tapa o una manta ignífuga. Peligro de incendio: no apoye objetos sobre las superficies de cocción.

- No utilice limpiadores de vapor.
- Antes de conectar el aparato a la red eléctrica: compruebe en la placa de datos (en la parte inferior del aparato) si la tensión y la potencia coinciden con los valores de la red y si la toma de corriente es adecuada. En caso de duda, consulte con un electricista cualificado.
- Después del uso, apague la placa de cocción en el interruptor y no confíe en el detector de ollas.
- Evite que los líquidos se desborden, de manera que baje el fuego cuando hierva o caliente líquidos.
- No deje las placas de cocción encendidas con ollas y sartenes vacías, ni sin sartenes.
- Apague la placa caliente cuando haya terminado de cocinar.
- No utilice nunca papel de aluminio para cocinar ni deje nunca productos envasados con aluminio encima de la placa de cocción. El aluminio se fundiría y dañaría irremediablemente su aparato.
- No caliente nunca una lata que contenga alimentos sin abrirla antes: ¡podría explotar!
- Esta advertencia también se aplica al resto de tipos de placas de cocción.
- Los niveles de potencia elevados, como la función Booster, no deben utilizarse para calentar ciertos líquidos, como el aceite para freír. El calor excesivo puede ser peligroso. En estos casos, se recomienda usar un nivel de potencia inferior.
- Los recipientes deben colocarse directamente sobre la placa de cocción y en el centro. En ningún caso debe colocarse otro objeto entre el recipiente y la placa de cocción.
- Si la temperatura es elevada, el aparato disminuye automáticamente el nivel de potencia de las zonas de cocción.
- Antes de realizar cualquier trabajo de limpieza o mantenimiento, desconecte el aparato de la red eléctrica sacando la clavija de la toma o apagando el interruptor de red.
- Utilice guantes de protección para todas las operaciones de instalación y mantenimiento.
- El aparato puede ser utilizado por niños mayores de ocho años y por personas con las capacidades físicas, sensoriales o mentales disminuidas o que carezcan de la experiencia o los conocimientos necesarios, siempre que estén vigilados o después de haber recibido instrucciones sobre la manera de utilizar el aparato de forma segura y de haber comprendido los peligros inherentes.
- Los niños deben ser supervisados para garantizar que no jueguen con el aparato.
- A menos que estén debidamente vigilados, los niños no deben realizar la limpieza y el mantenimiento.
- La habitación debe estar debidamente ventilada cuando el aparato se utilice al mismo tiempo que otros aparatos de gas o que funcionen con otro combustible.

- El aparato debe limpiarse regularmente tanto interna como externamente (AL MENOS UNA VEZ AL MES), siguiendo estrictamente las instrucciones de mantenimiento.
- El incumplimiento de las normas de limpieza del aparato y de sustitución y limpieza de los filtros puede suponer un riesgo de incendio.
- Los alimentos nunca deben cocinarse al fuego. El uso de una llama desnuda puede dañar los filtros y provocar un riesgo de incendio; por tanto, debe evitarse bajo cualquier circunstancia. Al freír hay que tener especial cuidado para evitar que el aceite se caliente en exceso y se incendie.
- Deben seguirse estrictamente las normas establecidas por las autoridades locales en cuanto a las medidas técnicas y de seguridad que deben adoptarse para la extracción de humos.
- El aire extraído no debe transportarse a través de los mismos conductos utilizados para extraer los humos generados por la combustión de gas u otros tipos de dispositivos de combustión. No utilice nunca el aparato sin la rejilla correctamente instalada.
- Utilice únicamente los tornillos de fijación suministrados con el aparato para su instalación, o si no se suministran, adquiera el tipo de tornillos correcto. Utilice tornillos de la longitud adecuada, según se indica en la guía de instalación.
- Cuando el aparato se utiliza junto con otros aparatos alimentados con energía no eléctrica, la presión negativa del local no debe superar los 4 Pa ( $4 \times 10^{-5}$  bar).
- Este manual debe guardarse de forma que sea posible consultarlo en cualquier momento. Si se vende, se transfiere o se traslada, debe permanecer con el aparato.

#### Requisitos eléctricos

- Desconecte el aparato de la red eléctrica
- La instalación debe ser realizada por personal profesionalmente cualificado y familiarizado con las normas de instalación y seguridad aplicables.
- El fabricante declina cualquier responsabilidad sobre las personas, animales o cosas en caso de no seguir las directrices proporcionadas en este capítulo.
- Asegúrese de que el voltaje que figura en la placa de características de la parte inferior del aparato se corresponde con el de la vivienda donde se va a instalar.
- No utilice alargadores.
- La conexión a tierra es obligatoria por ley

#### IMPORTANTE

Respete todos los códigos y ordenanzas vigentes.

Es responsabilidad del cliente:

Contactar con un instalador eléctrico cualificado.

Para asegurarse de que la instalación eléctrica es adecuada y se ajusta al Código Eléctrico Nacional, ANSI/NFPA 70 - última edición\*, o a las normas CSA C22.1-94,

Código Eléctrico Canadiense, Parte 1 y C22.2 N.º 0-M91 - última edición\*\* y a todos los códigos y ordenanzas locales.

Si los códigos lo permiten y se utiliza un cable de tierra separado, se recomienda que un electricista cualificado determine si la trayectoria de la tierra es adecuada.

No conecte a tierra una tubería de gas.

Consulte a un electricista cualificado si no está seguro de que la campana extractora está correctamente conectada a tierra.

No tenga un fusible en el circuito neutro o de tierra.

### **IMPORTANTE**

Guarde las instrucciones de instalación para que pueda utilizarlas el inspector eléctrico.

El aparato debe conectarse directamente a la caja de desconexión con fusibles (o disyuntor) a través de un conducto eléctrico metálico.

Las dimensiones de los cables deben ajustarse a los requisitos del Código Eléctrico Nacional ANSI/NFPA 70 - última edición\*, o a las normas CSA C22.1-94, Código Eléctrico Canadiense Parte 1 y C22.2 N.º 0-M91 - última edición\*\* y a todos los códigos y ordenanzas locales.

En cada extremo del conducto de alimentación (en el aparato y en la caja de conexiones) debe haber un conector de conducto listado por U.L. o C.S.A.

Es posible obtener copias de las normas enumeradas en:

\* National Fire Protection Association Batterymarch Park Quincy, Massachusetts 02269

\*\* CSA International 8501 East Pleasant Valley Road Cleveland, Ohio 44131-5575

### **Preparación del aparato/encimera para su instalación:**

**⚠ ADVERTENCIA:** Este es un producto pesado; el dispositivo sólo debe ser levantado e instalado por dos o más personas.

- El aire de salida no debe ventilarse hacia una pared, un techo o un espacio oculto de un edificio.
- Después de desembalar el producto, compruebe que no se ha dañado durante el transporte y, en caso de que haya algún problema, póngase en contacto con el distribuidor o con el servicio de atención al cliente antes de instalarlo.
- Compruebe si el producto tiene el tamaño adecuado para la zona de instalación.
- Compruebe si hay accesorios (por ejemplo, bolsas con tornillos, certificados de garantía, etc.) dentro del empaque (colocados allí por razones de transporte). Retírelos y guárdelos en un lugar seguro, si están presentes.
- Compruebe también si hay una toma de corriente cerca de la zona de instalación.
- El producto no puede instalarse encima de aparatos de refrigeración, lavavajillas, calentadores, hornos, lavadoras y secadoras.

### **Instalación y conexión**

**Importante: guárdelo para uso del técnico eléctrico local.**

- En caso de problemas, póngase en contacto con el servicio técnico autorizado. Para evitar cualquier daño, no saque el aparato de su embalaje hasta que vaya a instalarlo.
- Tanto la instalación eléctrica como la mecánica deben ser realizadas por personal especializado.
- La distancia mínima de instalación: 30" (76,2 cm) de espacio mínimo entre la parte superior de la encimera donde se encuentra la placa de cocción y la parte inferior del armario de madera o metal descubierto (24" [61 cm] de espacio libre mínimo si la parte inferior del armario de madera o metal está cubierta con un mínimo de ¼" [0,6 cm] de madera ignífuga cubierta con un mínimo de chapa de acero N.º 28 MSG, de acero inoxidable de 0,015" [0,04 cm], de aluminio de 0,024" [0,06 cm] o de cobre de 0,020" [0,05 cm])
- Se respetarán las distancias mínimas arriba especificadas, en caso de que el fabricante de la cocina indique distancias mayores se deberán revisar
- Para eliminar el riesgo de quemaduras o incendios tocar las unidades de superficie calentadas, debe evitarse el espacio de almacenamiento en el armario situado encima de las unidades de superficie. Si se va a disponer de espacio de almacenamiento en los armarios, el riesgo puede reducirse instalando una campana extractora que sobresalga horizontalmente un mínimo de 5 pulgadas por encima de la parte inferior de los armarios.

### **Instalación de la placa de inducción**

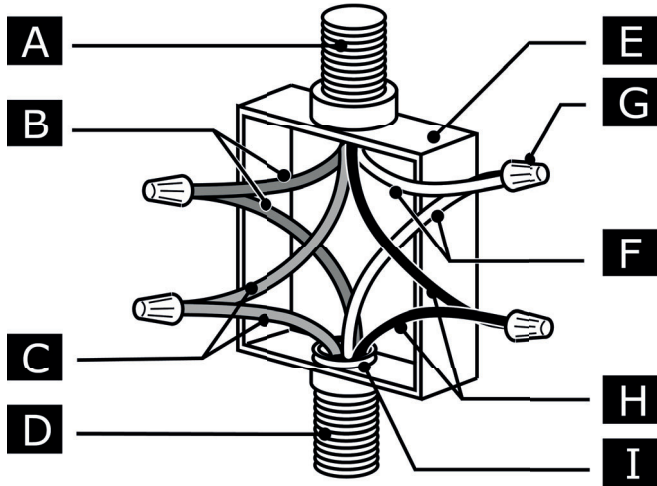
- Realice los recortes en el armario antes de introducir la placa de cocción y retire con cuidado las virutas o el serrín.
- Para garantizar la correcta instalación del producto, se recomienda encintar los tubos utilizando un adhesivo con las siguientes características: lámina de PVC elástica y suave, con un adhesivo de base acrílica; Cinta adhesiva de acuerdo con los códigos y ordenanzas locales; es ignífugo; tiene una excelente resistencia al desgaste; es resistente a las fluctuaciones de temperatura y puede utilizarse a bajas temperaturas

**⚠ ADVERTENCIA:** Si no se instalan los tornillos y fijaciones de acuerdo con estas instrucciones, pueden producirse riesgos eléctricos

## Conexión eléctrica

- Cable de 4 hilos desde la fuente de alimentación doméstica al cable de 4 hilos desde la placa de cocción

**IMPORTANTE:** Utilice el cable de 4 hilos de la fuente de alimentación doméstica en los EE.UU. donde los códigos locales no permiten la conexión a tierra a través del conductor neutro, como en: casas y vehículos recreativos, nuevas construcciones y en Canadá



A Cable de la fuente de alimentación doméstica

B Cables rojos

C Cables de tierra verdes o amarillo-verdes

D Cable de 4 hilos de la placa de cocción

E Caja de conexiones

F Cables blancos

G Conector de cable listado UL

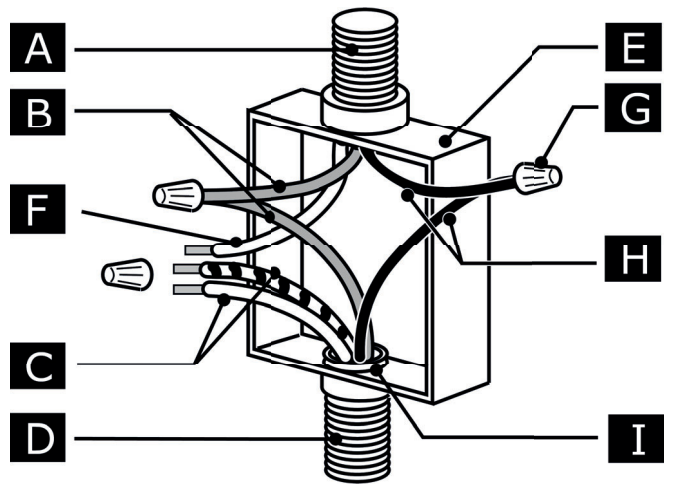
H Cables blancos

I Conector de conducto listado por UL u homologado por CSA

1. Conecte los 2 hilos negros juntos usando los conectores UL
2. Conecte los 2 hilos rojos juntos usando los conectores UL
3. Conecte los 2 hilos blancos juntos usando los conectores UL
4. Conecte la toma de tierra verde o amarillo-verde del cable de la placa de cocción al hilo de tierra verde o amarillo-verde en la caja de conexión usando los conectores UL.
5. Instalar la tapa de la caja de conexión.

- Cable de 3 hilos de la fuente de alimentación doméstica al cable de 4 hilos de la placa de cocción - Solo para EE.UU.

**IMPORTANTE:** Utilice el cable de 3 hilos de la fuente de alimentación doméstica, donde los códigos locales permiten conectar el conductor del bastidor de tierra al hilo neutro de la caja de conexión (blanco).



A Cable de la fuente de alimentación doméstica

B Cables rojos

C Cable blanco y verde (o amarillo-verde) de la placa de cocción

D Cable de 4 hilos de la placa de cocción

E Caja de conexiones

F Cables blancos

G Conector de cable listado UL

H Cables blancos

I Conector de conducto listado por UL u homologado por CSA

1. Conecte los 2 hilos negros juntos usando los conectores UL
2. Conecte los 2 hilos rojos juntos usando los conectores UL
3. Conecte el cable de la placa de cocción verde o amarillo-verde y el blanco al hilo blanco (neutro) en la caja de conexión usando los conectores UL.
4. Instalar la tapa de la caja de conexión.

## 2. USO

### EMPLEO DE LA PLACA DE COCCIÓN

El sistema de cocción por inducción se basa en el fenómeno físico de la inducción magnética. La característica fundamental de este sistema es la transferencia directa de energía del generador a la olla.

**Beneficios:** Comparada con las placas de cocción eléctricas, su placa de inducción es: **Más segura:** menor temperatura sobre la superficie del vidrio. **Más rápida:** tiempos menores de calentamiento de alimentos. **Más precisa:** la placa reacciona inmediatamente a los mandos. **Más eficiente:** el 90% de la energía absorbida se transforma en calor. Además, una vez que se retira la olla de la placa, la transmisión de calor se interrumpe de inmediato, evitando así pérdidas innecesarias de calor.

### USO DE RECIPIENTES PARA LA COCCIÓN

#### • Recipientes para la cocción



Utilizar solo ollas con este símbolo.

#### Importante:

Para evitar daños permanentes en la superficie de la placa, no utilice:

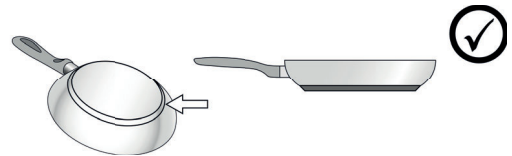
- recipientes con fondo que no sea perfectamente plano;
- recipientes de metal con una base esmaltada;
- recipientes con una base rugosa, para evitar rayar la superficie de la placa;
- nunca coloque ollas o sartenes calientes sobre la superficie del panel de control de la placa.
- ¡No todas las ollas de inducción funcionan eficientemente debido a los fondos parcialmente constituidos de material ferromagnético! Cuando se compran ollas o sartenes, comprobar que:
- el fondo está completamente hecho de material ferromagnético. De lo contrario, tanto la eficiencia de la transmisión de calor como su uniformidad se verán disminuidas, con temperaturas de la superficie de la olla/ sartén inadecuadas para la cocción



- El fondo no contenga aluminio: el plato no se calienta y puede que ni siquiera sea reconocido por los inductores.



- Los fondos no sean planos o con una superficie rugosa.
- Sustraen superficie de contacto entre el inductor y el plato, disminuyendo su eficiencia y empeorando la experiencia de cocción.



#### • Recipientes ya existentes

Se puede comprobar si el material de la olla es magnético con un simple imán. Las ollas no son adecuadas si no se detectan magnéticamente. Las indicaciones mencionadas en el párrafo anterior también se aplican en este caso.

#### • Diámetros del fondo de olla recomendados

**IMPORTANTE: si las ollas no tienen las dimensiones adecuadas, las zonas de cocción no se encienden.**

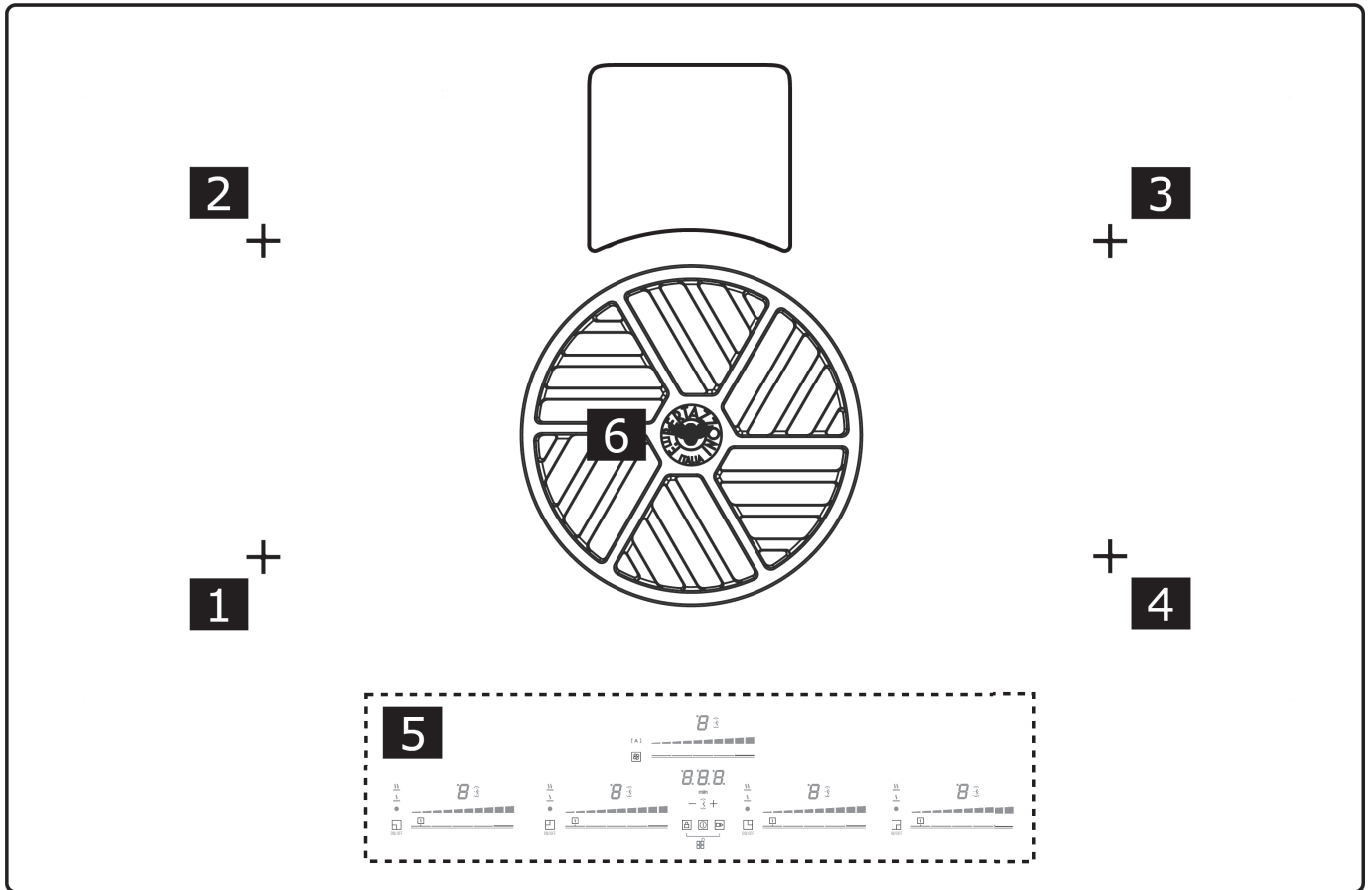
Para ver el diámetro mínimo de la olla a utilizar en cada área, consulte la parte correspondiente en este manual.

#### • Ahorro energético

Utilice ollas y sartenes con un diámetro de fondo igual al de la zona de cocción; Utilice solo ollas y sartenes con fondo plano; - En la medida de lo posible, mantenga las ollas tapadas durante la cocción; Cocine las verduras, patatas, etc. con una pequeña cantidad de agua para reducir el tiempo de cocción; Utilice la olla a presión para reducir aún más el consumo de energía y el tiempo de cocción; Coloque la olla en el centro de la zona de cocción dibujada en la placa.



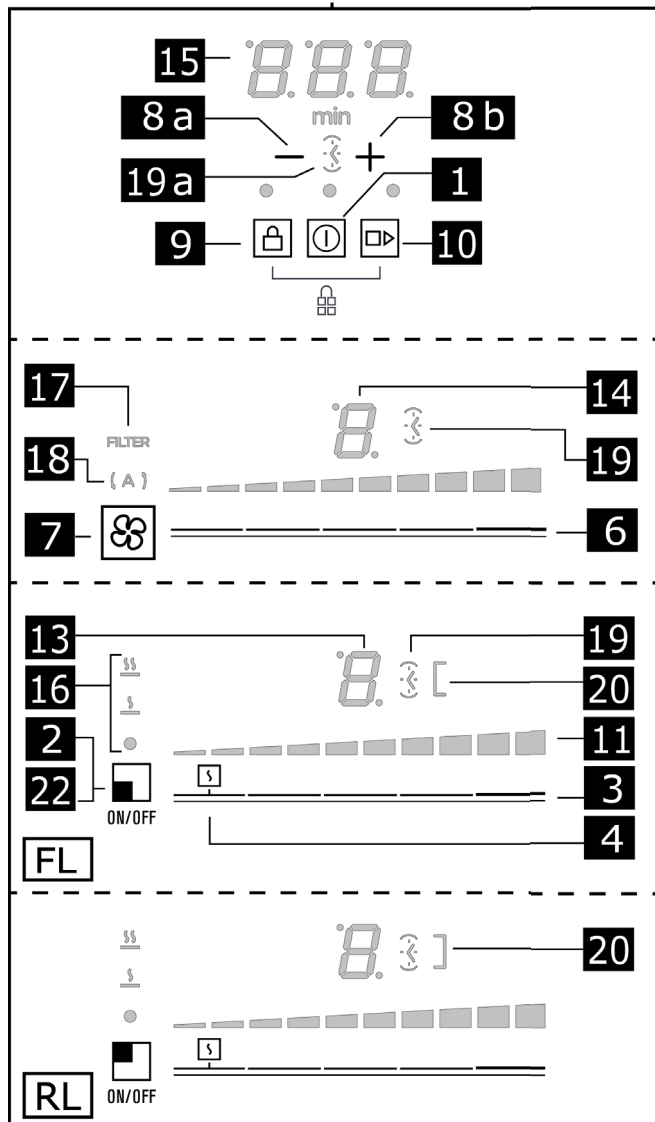
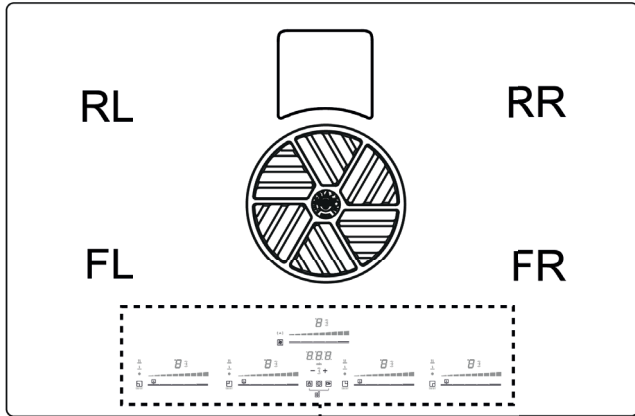
### 3. DESCRIPCIÓN DEL PRODUCTO



1	Zona de cocción individual; bandeja de cocción de $\varnothing 4^{23/32}$ " (120 mm) 2100W, con Booster 3700W
2	Zona de cocción individual; bandeja de cocción de $\varnothing 4^{23/32}$ " (120 mm) 2100W, con Booster 3700W
3	Zona de cocción individual; bandeja de cocción de $\varnothing 4^{23/32}$ " (120 mm) 2100W, con Booster 3700W
4	Zona de cocción individual; bandeja de cocción de $\varnothing 4^{23/32}$ " (120 mm) 2100W, con Booster 3700W
5	Panel de control
6	Extractor
1+2	Área de cocción del puente $8\ 21/32$ " x $4\ 23/32$ " (220 x 120 mm) 3700W
3+4	Área de cocción del puente $8\ 21/32$ " x $4\ 23/32$ " (220 x 120 mm) 3700W

# 4. FUNCIONAMIENTO

## PANEL DE CONTROL



### Teclas

1	ON/OFF de la placa de cocción / extractor de la placa de cocción
2	Indicador de posición de la zona de cocción
3	Selección de la zona de cocción
4	Aumento/Disminución del nivel de potencia
5	Teclas del ventilador
6	Selección del ventilador de extracción
6	Aumentar/Disminuir la velocidad de extracción (potencia)
7	Activación de las funciones automáticas
7	Restablecer la saturación del filtro
8a 8b	Activar el temporizador / Aumentar / Disminuir el valor del temporizador
9	Bloqueo de teclas
9+10	Bloqueo para niños
10	Pausa/recuperación
22	ON/OFF Zona de cocción

### Pantalla / LED

11	Ver nivel de potencia
12	Ver velocidad de extracción (potencia)
13	Visualización de la zona de cocción
14	Display del ventilador extractor
15	Display del temporizador
16	Display del gestor de temperatura
17	Indicador de asistencia del filtro
18	Indicador de la función de extracción automática
19	Indicador de temporizador activo
19a	
20	Indicador de puente activo

### A SABER ANTES DE INICIAR


Todas las funciones de esta placa de cocción están diseñadas para cumplir con las más estrictas normas de seguridad. Por esta razón:

- Algunas funciones no se activan, o bien se desactivan automáticamente en ausencia de ollas sobre la zona de cocción o cuando están colocadas de manera incorrecta.

• En otros casos, las funciones activadas se desactivan automáticamente después de pocos segundos cuando la función seleccionada requiere un ajuste adicional que no se da (por ejemplo: “Encender la placa de cocción” sin “Seleccionar la zona de cocción” y la “Temperatura de ejercicio”, o la “Función Lock” (Función bloqueo) o la “Timer” (Temporizador).

Espere a que la pantalla se apague antes de acercarse a la zona de cocción.









**¡Cuidado!** En caso (por ejemplo) de uso prolongado el apagado de la zona de cocción puede no ser inmediato, debido a que se encuentra en una fase de enfriamiento; en

el display de las zonas de cocción, aparece el símbolo  para indicar que se está en esta etapa. Espere a que la pantalla se apague antes de acercarse a la zona de cocción.

## PANTALLA ZONA DE COCCIÓN

### Display de la zona de cocción

En los displays de la zona de cocción aparecen:

La zona de cocción encendida	
El nivel de potencia	
El indicador de calor residual	
El detector de ollas	
Función de gestión de la temperatura activa- da	
Función de bloqueo para niños activada	
Función de pausa	
Función de calentamiento automático	

## CARACTERÍSTICAS DE LA PLACA

### • **Safe Activation**(Activación de seguridad)

El producto se activa sólo con presencia de ollas en las zonas de cocción: el proceso de calentamiento no se activa o bien se interrumpe en caso de ausencia de ollas.

### • **Pot Detector**(Detector de ollas)

El producto detecta de manera automática la presencia de ollas en las zonas de cocción.

### • **Safety Shut Down**(Apagado de Seguridad)

Por motivos de seguridad, cada zona de cocción cuenta con un tiempo de funcionamiento máximo que depende del nivel de potencia programado.

### • **Residual Heat Indicator**(Indicador de Calor Residual)

Con el apagado de una o más zonas de cocción la presencia del calor residual es indicada a través de una señal visual en la pantalla de la zona correspondiente,

mediante el símbolo .

## EMPLEO DE LA PLACA DE COCCIÓN

### FUNCIONAMIENTO DE LA PLACA DE COCCIÓN

**Nota:** Antes de activar cualquier función, es necesario que esté activada la zona deseada

#### • **Encendido**

Pulse (toque) **ON/OFF(1)** placa de cocción/extractor

El indicador luminoso se encenderá para indicar que la placa de cocción/extractor está lista para su uso

Pulse de nuevo para apagar

Nota: Esta función tiene prioridad sobre las demás.

#### • **Selección de la zona de cocción**

Toque (pulse) el símbolo **símbolo ON/OFF (22)**

correspondiente a la zona de cocción que desea utilizar, y luego pulse la **barra de selección (3)**.

#### • **9 Niveles de potencia**

La placa de cocción cuenta con 9 niveles de potencia


Toque y deslice los dedos por la **barra de selección (3)**:

hacia la derecha para aumentar el nivel de potencia;

hacia la izquierda para disminuir el nivel de potencia.

#### • **Refuerzo de potencia**

El producto dispone de un nivel de potencia suplementario

(después del nivel ) , que permanece activo durante 10 minutos, tras los cuales la temperatura vuelve al valor previamente ajustado.

Toque y deslice con los dedos a lo largo de la **barra de**

**selección (3)** (encima del nivel ) y active el Power Booster

El nivel del Power Booster se muestra en la pantalla de la

zona seleccionada con el símbolo "

#### • **Zonas puente**

Gracias a la función Puente, las zonas de cocción pueden funcionar de forma combinada, creando una única zona con el mismo nivel de potencia. Esta función permite una cocción uniforme con ollas y sartenes de gran tamaño.

Es posible combinar la zona de cocción izquierda (**FL+RL**) con la zona de cocción derecha (**RR+FR**),

*Activación de la zona puente:*

- seleccione simultáneamente las dos zonas de cocción que desea utilizar (**FL+RL**) o (**RR+FR**)

- los indicadores Puente (**20**) de las dos zonas de cocción se encenderán al mismo tiempo.

- Gestione el nivel de potencia del puente izquierdo mediante la **barra de selección (3-RL)** Gestione el nivel de potencia del puente derecho usando la **barra de selección (3-FR)**

*Desactivación de la función de puente:*  
repita el mismo procedimiento de activación.

#### • **Gestor de temperatura**

El gestor de temperatura es una función que permite establecer la temperatura preestablecida más adecuada para conseguir el resultado deseado. Hay dos niveles.

**Nivel de "fusión"** Identifica un nivel de cocción adecuado para fundir lentamente productos delicados sin comprometer sus características sensoriales (chocolate, mantequilla, etc.).

**Nivel de "Calentamiento":** Identifica un nivel de cocción adecuado que permite que los alimentos se mantengan delicadamente a la misma temperatura, sin dejar que hiervan.

*Activación del gestor de temperatura:*

- Seleccione la zona de cocción deseada.
- Pulse el símbolo **(4)** una vez para activar el **nivel de**

**"fusión"**. : desde el **nivel de "fusión"**, pulse el símbolo **(4)** de nuevo y manténgalo pulsado durante unos


segundos para pasar al **nivel de "Calentamiento"** .

**Fusión:** Identifica un nivel de cocción adecuado para fundir lentamente productos delicados sin comprometer sus características sensoriales (chocolate, mantequilla, etc.).

**Calentamiento:** Identifica un nivel de cocción adecuado que permite que los alimentos se mantengan delicadamente a la misma temperatura, sin dejar que hiervan.

*Desactivación del gestor de temperatura:*

Pulse el símbolo **(4)** de nuevo

El siguiente símbolo aparece en la pantalla de la zona que trabaja en modo gestor de temperatura .

#### • **Bloqueo de teclas**

El bloqueo de las teclas permite bloquear los ajustes de la placa de cocción para evitar la manipulación accidental de los mismos, dejando habilitadas las funciones ajustadas.

*Activación del bloqueo de las teclas:*

- pulse **(9)**
- el LED que se encuentra sobre el botón se encenderá para indicar que se ha activado

*Desactivación del bloqueo de las teclas:*

- Repita la operación de activación.


#### • **Bloqueo para niños**

El bloqueo infantil permite evitar que los niños accedan accidentalmente a la zona de cocción y a la zona de extracción, impidiendo la activación de cualquier función.

El bloqueo para niños solo puede activarse cuando el producto está encendido, pero con las zonas de cocción (y de extracción) apagadas.

*Activación del bloqueo infantil:*

- quite todas las ollas de la placa de cocción
- pulse y mantenga pulsado simultáneamente **(9)+(10)**: una

señal acústica indicará que la función está activa y  aparecerá en **(13)** y **(14)**.

*Desactivación del bloqueo infantil:*

Repita el proceso de activación.

#### • **Temporizador**

La función de temporizador es una cuenta atrás que se puede ajustar para cada zona de cocción (y de aspiración), incluso simultáneamente.

**Nota:** el temporizador es un simple timbre de aviso que, cuando se alcanzan los minutos programados, NO apaga la zona de cocción

*Activación/Regulación de la función temporizador de la placa de cocción*

- Seleccione la zona de cocción (potencia distinta de 0)
- Pulse simultáneamente **(8a)** y **(8b)** para acceder a la función temporizador
- Ajuste la duración del temporizador:  
pulse el selector **(8b)**, para aumentar el tiempo de apagado; pulse el selector **(8a)**, para disminuir el tiempo de apagado automático.

Si lo desea, repita la operación en las otras zonas de cocción.

**Nota:** cada vez que pulse las dos teclas simultáneamente, pasará a la siguiente hora activa.

**Nota:** Cada zona de cocción puede tener un temporizador diferente ajustado; en el display, **(15)** la cuenta atrás de la última zona de cocción seleccionada se mostrará durante 10 segundos, tras lo cual aparecerá la cuenta atrás con el menor tiempo restante.

Cuando el temporizador ha completado la cuenta atrás suena una señal acústica durante 2 minutos, mientras que

el display **(15)** parpadea con el símbolo .

**Nota:** Es posible apagar la señal acústica pulsando el selector **(8b)** o el selector **(8a)**,

Nota: al lado del display de la zona de cocción, cuando el temporizador se está utilizando, aparece **(19)** el símbolo.

*Apagado del temporizador:*

- seleccione la zona de cocción

- ajuste el uso del temporizador  (8a)


**Nota:** la función permanece activa si entretanto no se pulsa otra tecla.

#### • Temporizador para huevos

La función temporizador para huevos (19a) es una cuenta atrás independiente de las zonas de cocción (y de la zona de extracción). El temporizador para huevos se activa pulsando (8a) y (8b).

**Nota:** para ajustar la función temporizador para huevos siga el procedimiento de la función temporizador.

Cuando el temporizador ha completado la cuenta atrás suena una señal acústica durante 2 minutos, mientras que

el display (15) parpadea con el símbolo .

**Nota:** Es posible apagar la señal acústica pulsando el selector (8b) o el selector (8a),

#### • Pausa

La función pausa permite suspender las funciones activas de la placa de cocción, llevando la potencia de cocción a cero.

*Activación de la pausa:*

- pulse (10)

- aparecerá una  en (13) y (14).

*Desactivación de la pausa:*

**Nota:** esta operación restablece las condiciones de la placa de cocción antes de la pausa

- pulse (10)

- desplácese en 10 segundos hacia la derecha con los dedos a lo largo de la **barra de selección (3)** que se iluminará.

**Nota:** si la operación no se realiza dentro de ese tiempo, la función de pausa permanecerá activa.

**Nota:** si, pasados 10 minutos, no se desactiva la función de pausa, la placa de cocción se apagará automáticamente.

#### • Recuperación

La función recuperación permite recuperar los ajustes de la placa de cocción en caso de apagado accidental.

*Activación de la recuperación:*

- vuelva a encender la placa de cocción (1) dentro de los 6 segundos siguientes a la desconexión

- pulse (10) en los siguientes 6 segundos


#### • Calentamiento automático

La función de calentamiento automático permite alcanzar con mayor rapidez la potencia ajustada; con esta función es posible cocinar en menos tiempo los alimentos sin riesgo de quemarlos, siempre que la temperatura no supere el nivel programado.

Esta función está disponible para los niveles de potencia 1-8.

*Activación:*

- en la **barra de selección (3)**, pulse y mantenga pulsada la potencia deseada

- aparecerá una  en (13).

## EMPLEO DEL ASPIRADOR

### USO DEL VENTILADOR EXTRACTOR

#### • Encendido del extractor:

- Pulse (toque) **ON/OFF(1)** placa de cocción/extractor El indicador luminoso se encenderá para indicar que la placa de cocción/extractor está lista para su uso

**Nota:** Esta función tiene prioridad sobre las demás.

Toque (pulse) el símbolo **barra de selección (6)** para activar el ventilador del extractor.

#### • Velocidad de extracción:

- Toque y deslice los dedos por la **barra de selección (6)**: hacia la derecha para aumentar la velocidad de extracción (potencia) (0-4);

hacia la izquierda para reducir la velocidad de extracción (potencia) (4-0);

#### • Temporizador del ventilador del extractor

*Activación/ajuste de la función temporizador del ventilador del extractor*

- Seleccione el extractor (velocidad diferente a 0).

- Pulse (8a) y (8b) para acceder a la función temporizador (desde cualquier velocidad)

- Ajuste la duración del temporizador:

pulse el selector (8b) para aumentar el tiempo de apagado;

pulse el selector (8a) para reducir el tiempo de apagado;

en el display (15) aparecerá la cuenta atrás,

**Nota:** en el lado del display del extractor, cuando el temporizador está en uso, el símbolo (19) aparece.

Cuando el temporizador ha completado la cuenta atrás, suena una señal acústica (durante 2 minutos, o se detiene pulsando cualquier tecla de la placa de cocción), mientras

que el display (15) parpadea con el símbolo .

*Apagado del temporizador:*

- seleccione la zona de cocción

- programe el temporizador  usando (8a)

**Nota:** la función permanece activa si entretanto no se pulsa otra tecla.

• **Indicador de saturación del filtro**

La campana indica cuándo es necesario efectuar el mantenimiento del filtro:

- Filtro de grasa: el LED (17) se enciende
- Filtro de olores de carbón activado: el LED (17) parpadea

**Reinicio saturación del filtro**

Después del mantenimiento del filtro (grasa y/o carbón activado), mantenga pulsada la tecla (18): el LED (17) se apagará, restableciendo el indicador.

*Activación del indicador de saturación del filtro de olores de carbón activado*

**Nota:** Este indicador está normalmente desactivado.

- Encienda el extractor pulsando **ON/OFF(1)**
- con el motor de extracción y las zonas de cocción apagadas, mantenga pulsado (18)
- el LED (17) del botón se encenderá y a continuación se apagará para indicar que se ha activado.

*Desactivación del indicador de saturación del filtro de olores de carbón activado*

- repita la operación descrita anteriormente para la activación;
- el LED (17) parpadeará y se apagará para indicar que se ha desactivado.

• **Modo automático**

La campana se encenderá a la velocidad más adecuada, adaptando la capacidad de extracción al nivel máximo de cocción utilizado en la zona de cocción.

Al apagar la placa de cocción, la campana adapta su velocidad de extracción disminuyéndola gradualmente para eliminar los vapores y olores residuales.

*Activación del modo automático:*

Pulse (7) brevemente: el LED (18) se encenderá para indicar que la campana está funcionando en ese modo.

**TABLA DE POTENCIA**

Nivel de potencia		Tipo de cocción	Uso (basado en la experiencia y los hábitos de cocción)
Máx potencia		Calentar rápidamente	aumentar en poco tiempo la temperatura de la comida hasta un rápido ebullición en caso de agua o calentar rápidamente los líquidos de cocción
		Freír - hervir	dorar, empezar una cocción, freír los productos congelados, cocer rápidamente
Alta potencia		Dorar – sofreír - hervir - asar a la parrilla	sofreír, mantener la ebullición alta, cocinar y asar a la parrilla (por poco tiempo, 5-10 minutos)
		Dorar - cocinar – estofar – sofreír - asar a la parrilla	sofreír, mantener la ebullición baja, cocinar y asar a la parrilla (por poco tiempo, 10-20 minutos), precalentar accesorios
Media potencia		Cocinar – estofar – sofreír - asar a la parrilla	estofar, mantener la ebullición a fuego lento, cocer (durante un tiempo prolongado), condimentar la pasta
		Cocinar - cocinar a fuego lento – adensar - condimentar	cocciones prolongadas (arroz, salsas, asados, pescado) en presencia de líquidos para acompañar (por ejemplo: agua, vino, caldo, leche), condimentar la pasta
		Cocinar - cocinar a fuego lento – adensar - condimentar	cocciones prolongadas (volúmenes inferiores al litro: arroz, salsas, asados, pescado) en presencia de líquidos para acompañar (p. ej.: agua, vino, caldo, leche)
Baja potencia		Fundir – descongelar – mantener caliente - condimentar	derretir la mantequilla, fundir lentamente el chocolate, descongelar productos de pequeñas dimensiones
		Fundir – descongelar – mantener caliente - condimentar	mantener calientes pequeñas porciones de comida recién cocinada o mantener los platos de servicio a la misma temperatura y condimentar los risottos
OFF		Superficie de apoyo	Placa de cocción en posición de stand-by o apagado (posible presencia de calor residual de la final de la cocción, señalado con H-L-O)

## 5. MANTENIMIENTO

¡Cuidado! Antes de realizar cualquier operación de limpieza o mantenimiento, asegúrese de que las zonas de cocción estén apagadas y que el indicador de calor esté apagado.



Para el mantenimiento del producto ver las imágenes marcadas con este símbolo al final de la instalación.

### MANTENIMIENTO PLACA DE COCCIÓN

#### • Limpieza de la placa de inducción

La placa de cocción debe limpiarse después de cada uso.

#### Importante:

- No utilice esponjas abrasivas ni estropajos. Su empleo, a lo largo del tiempo, puede dañar el vidrio.
- No utilice detergentes químicos irritantes, tales como spray para horno o quitamanchas.
- ¡¡NO UTILICE LIMPIADORAS A VAPOR!!

Después de cada uso, deje enfriar la placa y límpiela para eliminar los residuos y las manchas causadas por los residuos de alimentos. El azúcar o alimentos con un alto contenido de azúcar dañan la placa de cocción y deben eliminarse inmediatamente. La sal, el azúcar y la arena pueden rayar la superficie del vidrio. Utilice un paño suave, rollos de papel absorbente para cocina o productos específicos para limpiar la placa (siga las instrucciones del fabricante).

#### • XD Limpieza de la bandeja de recogida de líquidos:

En caso de derrame accidental y abundante de líquidos de la olla es posible intervenir a través de la válvula de drenaje, situada en la parte inferior del producto, para eliminar cualquier residuo, garantizando la máxima seguridad higiénica.

Para una limpieza completa y minuciosa, se puede quitar completamente la bandeja inferior.

#### • XE Limpieza de la rejilla metálica:

La rejilla debe lavarse a mano con agua tibia y detergente neutro y secarse bien para evitar la oxidación.

### MANTENIMIENTO ASPIRADOR

#### • Limpieza del aspirador:

Para la limpieza use **EXCLUSIVAMENTE** un paño humedecido con detergentes líquidos neutros.

**¡NO UTILICE UTENSILIOS NI INSTRUMENTOS PARA LA LIMPIEZA!**

No utilice productos que contienen abrasivos. **¡NO UTILICE ALCOHOL!**

#### • XA Mantenimiento Filtros de grasa:

**Retiene las partículas de grasa procedentes de la cocción.**

Se debe limpiar una vez al mes (o cuando el sistema de indicación de saturación de filtros indica dicha necesidad), con detergentes no agresivos, manualmente o bien en el lavavajillas con un programa breve y a baja temperatura. Cuando el filtro metálico de grasa se lava en el lavavajillas puede decolorarse pero ello no afecta de ninguna manera sus características de filtrado.


#### • XB Mantenimiento Filtro de carbón activado – Cerámicas (Solo para Versión Filtrante):

**Retiene los olores desagradables de la cocción. El producto está equipado con un conjunto de filtros de olores.**

La saturación de los filtros de olores se produce después de un uso más o menos prolongado dependiendo del tipo de cocina y de la regularidad de la limpieza del filtro de grasas. Los filtros de olores pueden ser regenerados térmicamente cada 2/3 meses en un horno precalentado a 200 °C durante 45 minutos. La correcta regeneración asegura una constante eficiencia de filtrado durante 5 años.

¡Cuidado! No apoye los filtros en el fondo del horno, sino colóquelos en una fuente a una altura intermedia.

## 6. ASISTENCIA

CÓDIGO DE INFORMACIÓN	DESCRIPCIÓN	POSIBLES CAUSAS	SOLUCIÓN
E2	La zona de mando se desconecta debido a una temperatura excesivamente alta	La temperatura en el interior de las partes eléctricas es demasiado alta	Espere a que se enfríe la placa de cocción antes de reutilizarla
ERR03 + señal acústica 	Se detecta la activación continua (permanente) de la tecla. La interfaz se apaga al cabo de 10 segundos.	El agua, las ollas o las herramientas de cocina están encima de la interfaz usuario.	Limpie la superficie, quite todos los objetos de encima de la superficie.
Para las restantes señales de error (E ... U ...)	Llame al servicio de asistencia al cliente y comuníquese el código de error.		

Antes de ponerse en contacto con el Servicio de Asistencia

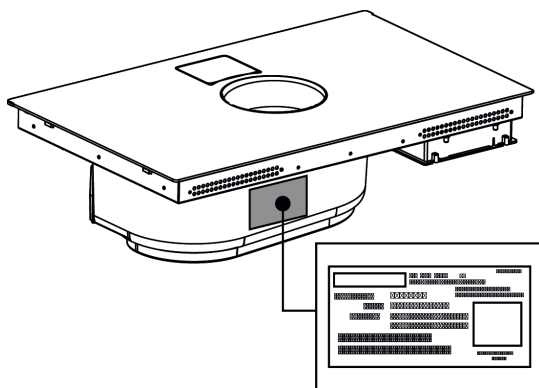
1. Asegúrese de que no sea posible solucionar el problema por su cuenta teniendo en cuenta los puntos descritos en "Localización de averías".

2. Apague y vuelva a encender el producto para asegurarse de que el problema se ha solucionado.

**Si tras realizar las verificaciones arriba descritas, el problema persiste, contacte con el Servicio de Asistencia técnica más cercano.**

## 7. DATOS TÉCNICOS

La información técnica figura en la placa de información que se encuentra en el lado interno del aparato.





## ATENCIÓN AL CLIENTE

---

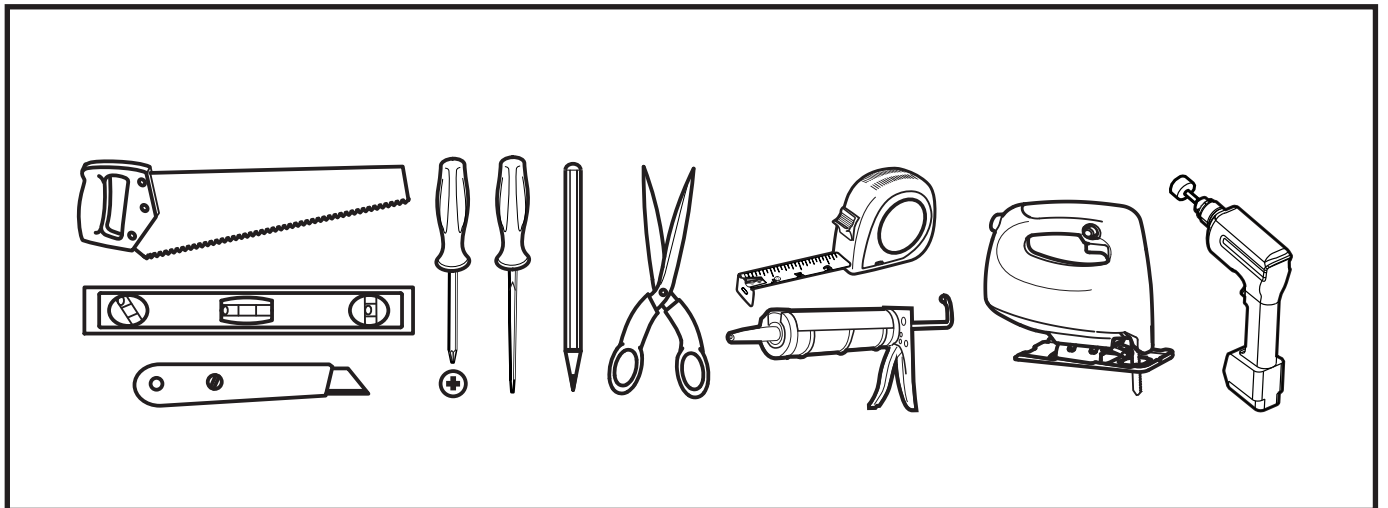
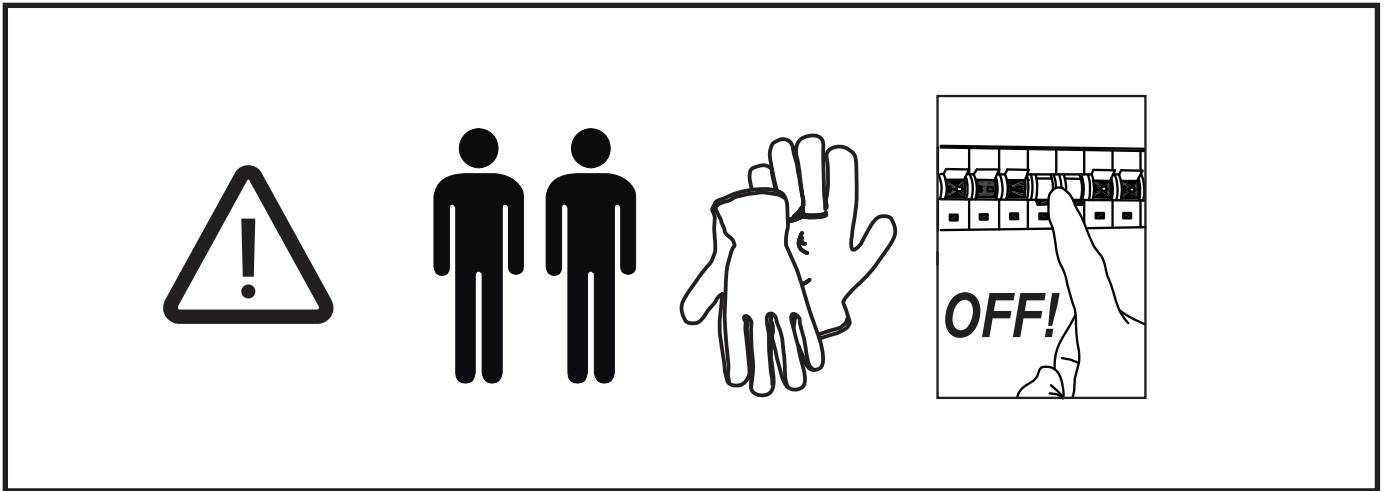
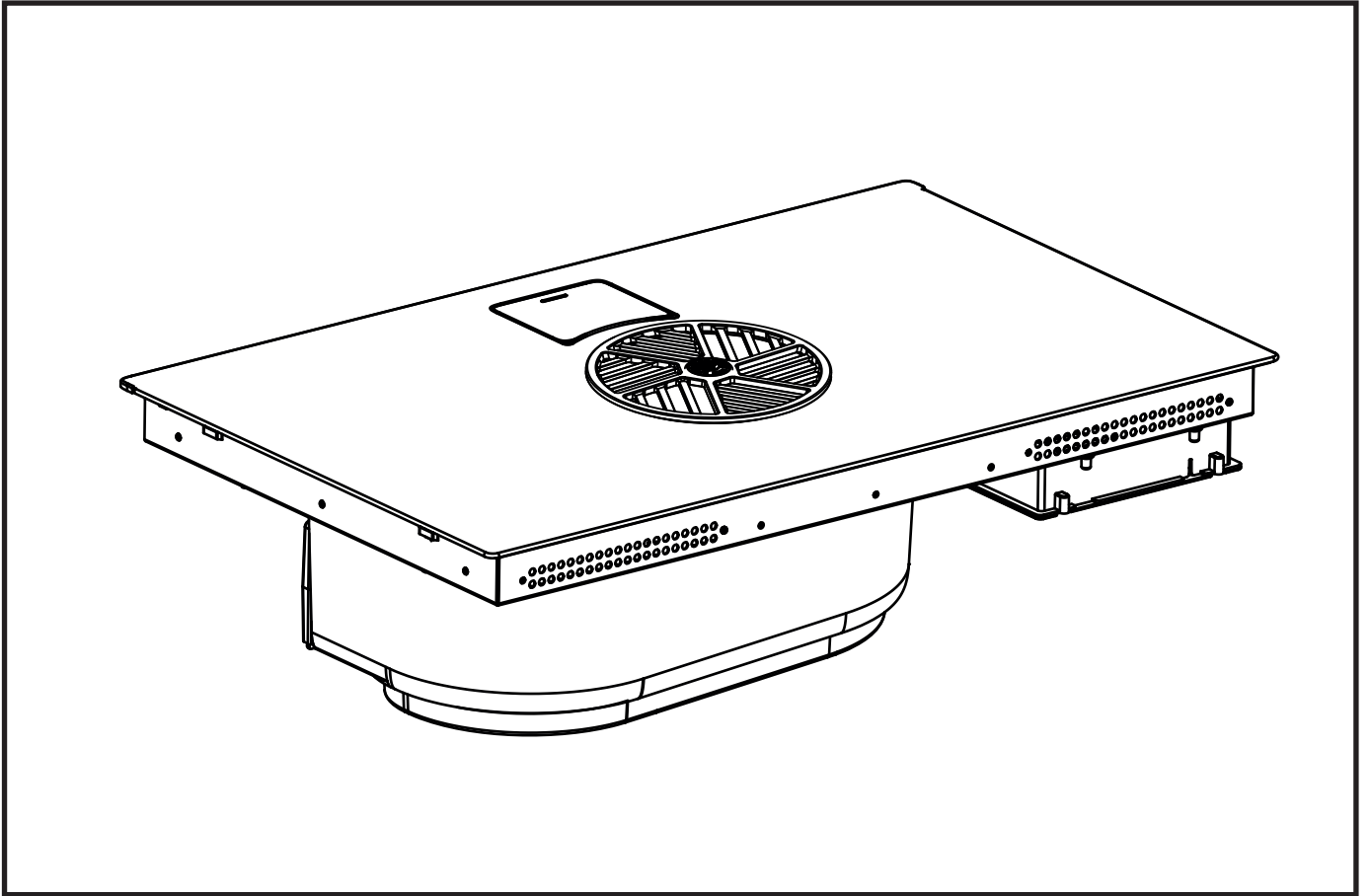
Para obtener información sobre la garantía y solicitar servicio, contáctenos:

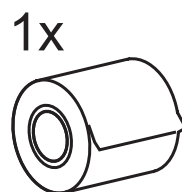
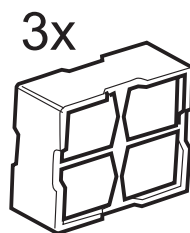
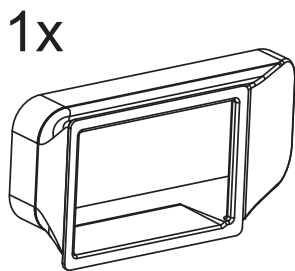
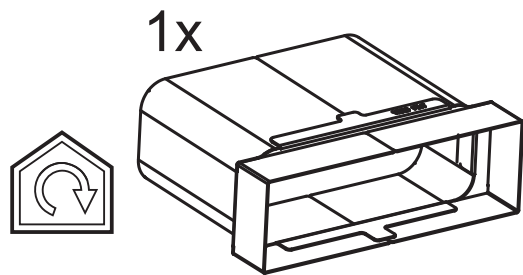
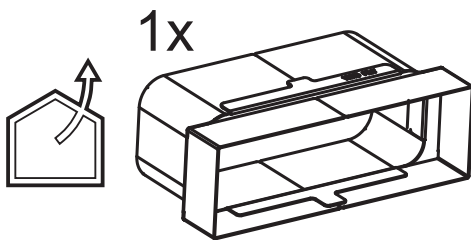
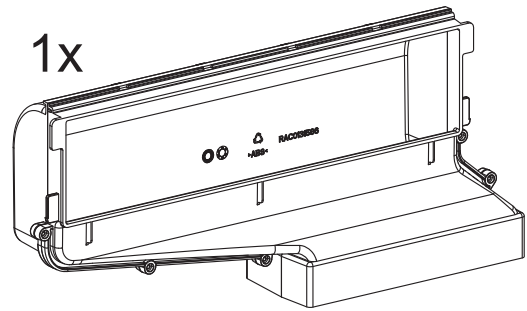
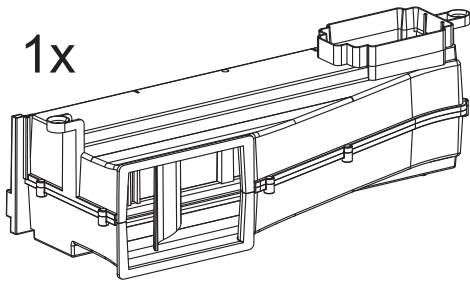
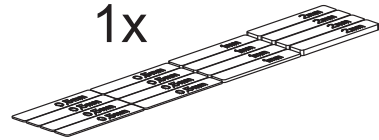
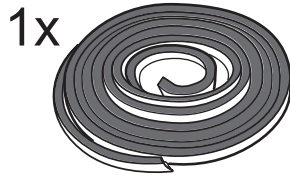
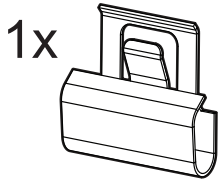
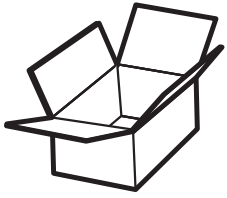


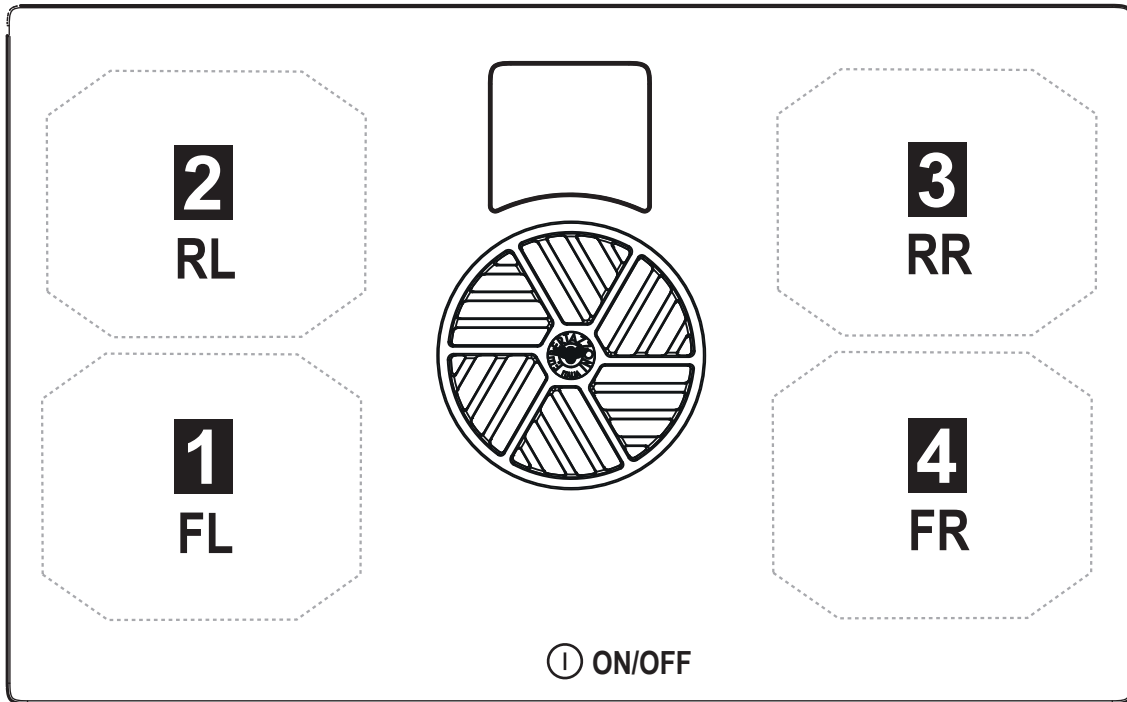
En EE.UU.: <https://us.bertazzoni.com/more/support>  
En Canadá: <https://ca.bertazzoni.com/more/support>



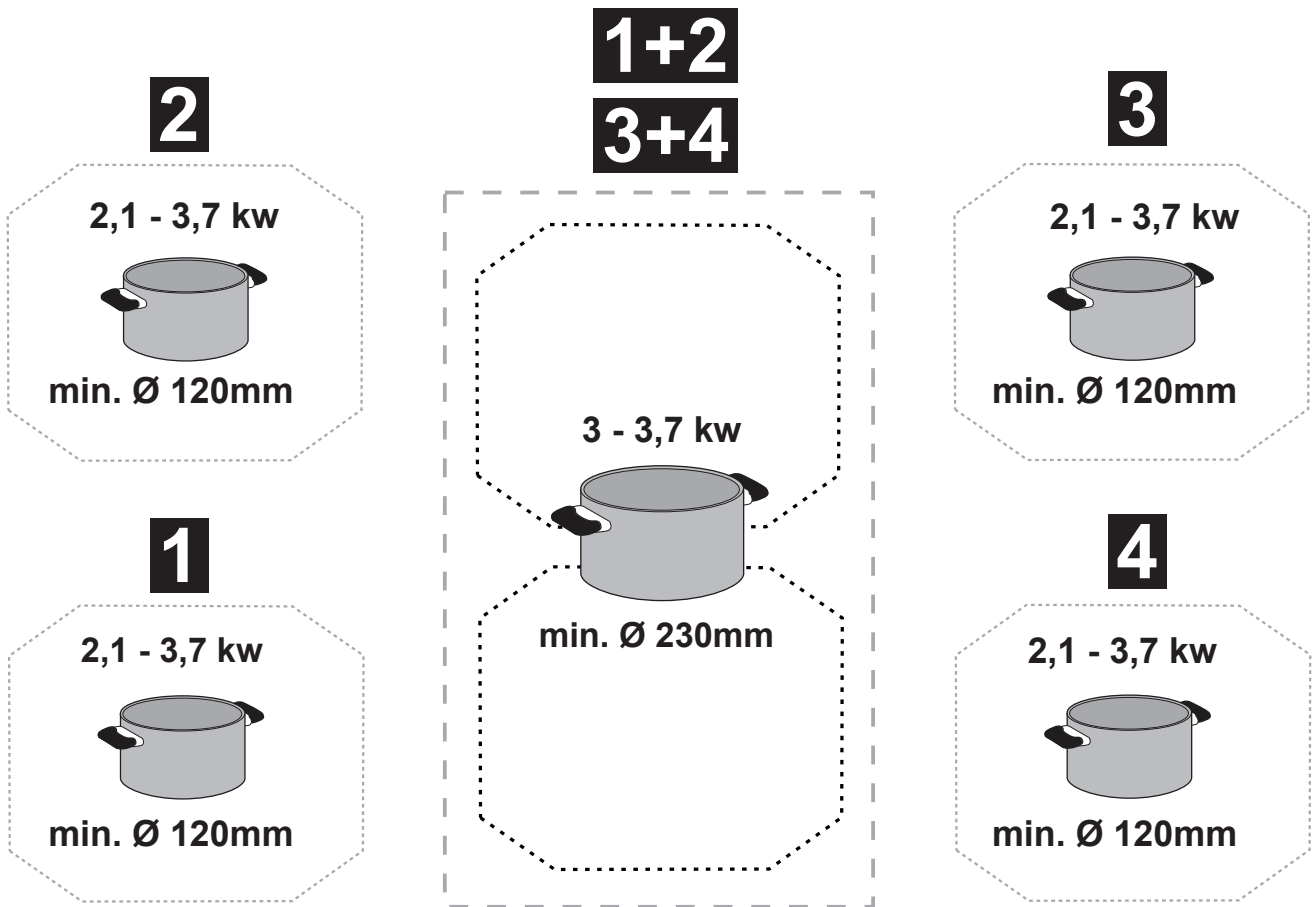


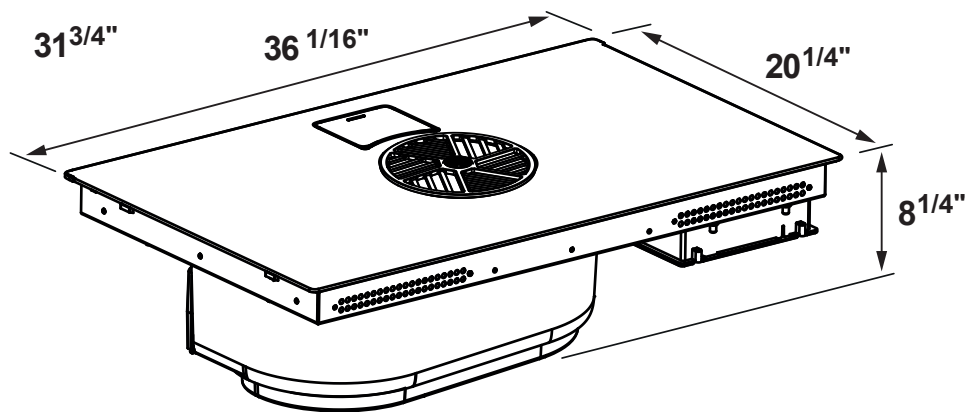
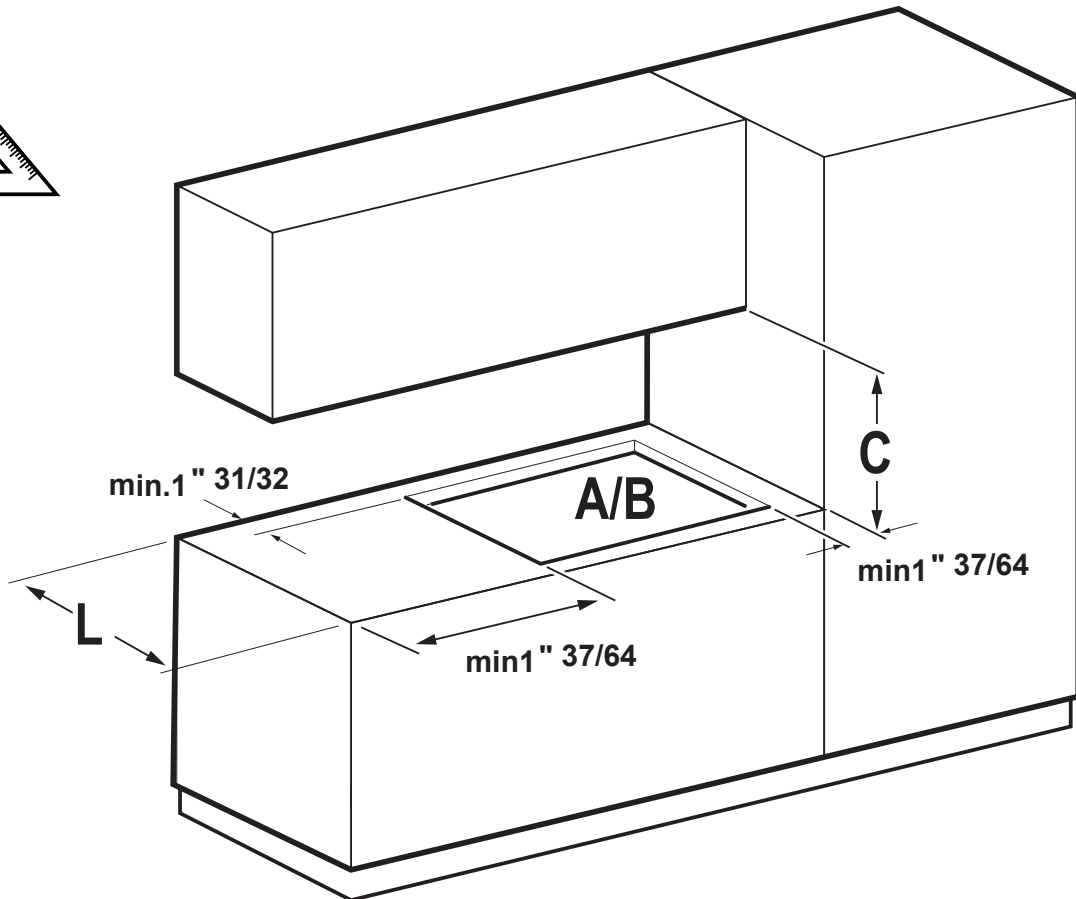
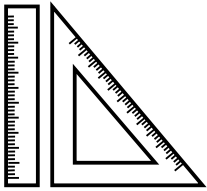






**FRONT**

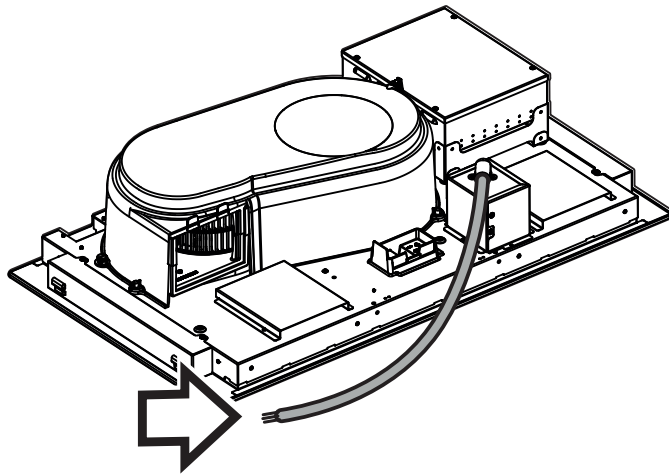
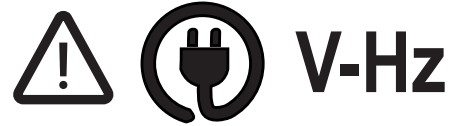




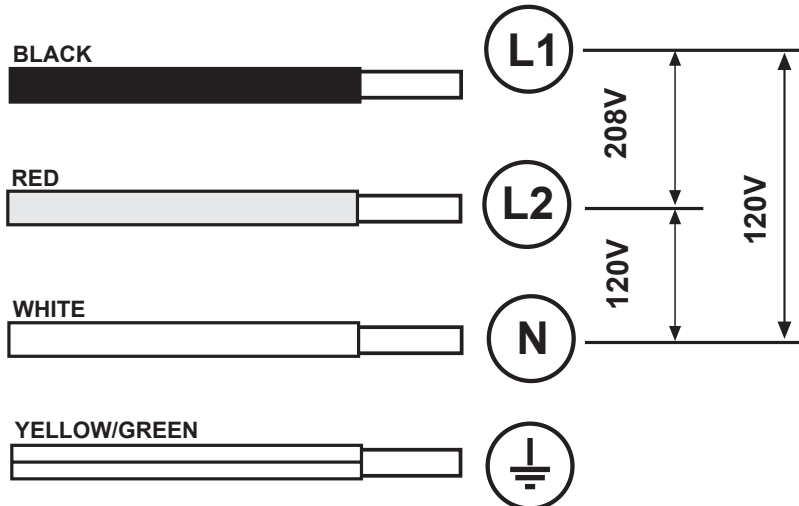
**C = 30" (76.2 cm) minimum clearance between top of cooktop platform and bottom of uncovered wood or metal cabinet (24" [61 cm] minimum clearance if bottom of wood or metal cabinet is covered by not less than 1/4" [0.6 cm] flame retardant millboard covered with not less than No. 28 MSG sheet steel, 0.015" [0.04 cm] stainless steel, or 0.024" [0.06 cm] aluminum or 0.020" [0.05 cm] copper)**

**Un espace minimum de C = 30 "(76,2 cm) entre le dessus de la table de cuisson et le bouton de l'armoire en bois ou en métal non couverte (24 " [61 cm] une distance minimale si le fond de l'armoire en bois ou en métal doit être couverte de carton ignifuge 1/4 " [0,6 cm] avec une feuille d'acier d'au moins MSG No. 28, 0,015 " [0,04 cm] d'acier inoxydable, ou 0,024 " [0,06 cm] d'aluminium ou 0,020 " [0,05 cm] de cuivre)**

**C = 30" (76,2 cm) de espacio mínimo entre la parte superior de la encimera donde se encuentra la placa de cocción y la parte inferior del armario de madera o metal descubierto (24" [61 cm] de espacio libre mínimo si la parte inferior del armario de madera o metal está cubierta con un mínimo de 1/4" [0,6 cm] de madera ignífuga cubierta con un mínimo de chapa de acero No. 28 MSG, de acero inoxidable de 0,015" [0,04 cm], de aluminio de 0,024" [0,06 cm] o de cobre de 0,020" [0,05 cm])**

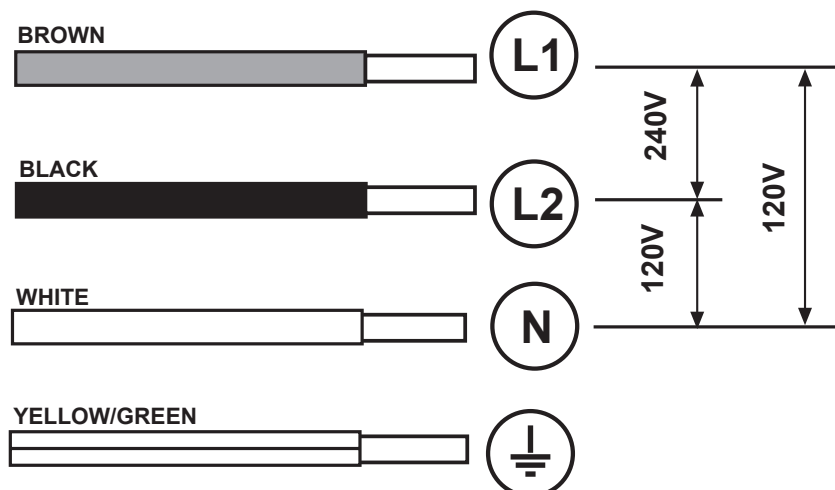


### 120/208V 3 Wire 60Hz

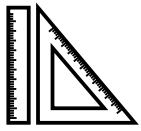


---

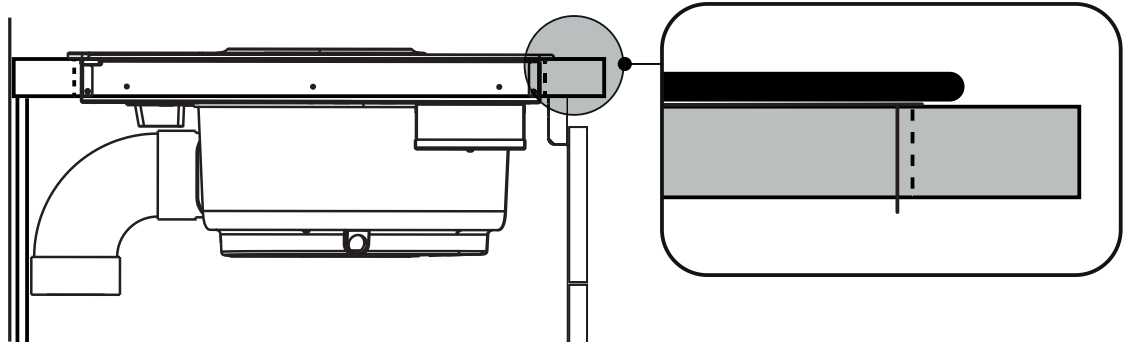
### 120/240V 3 Wire 60Hz



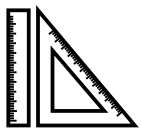
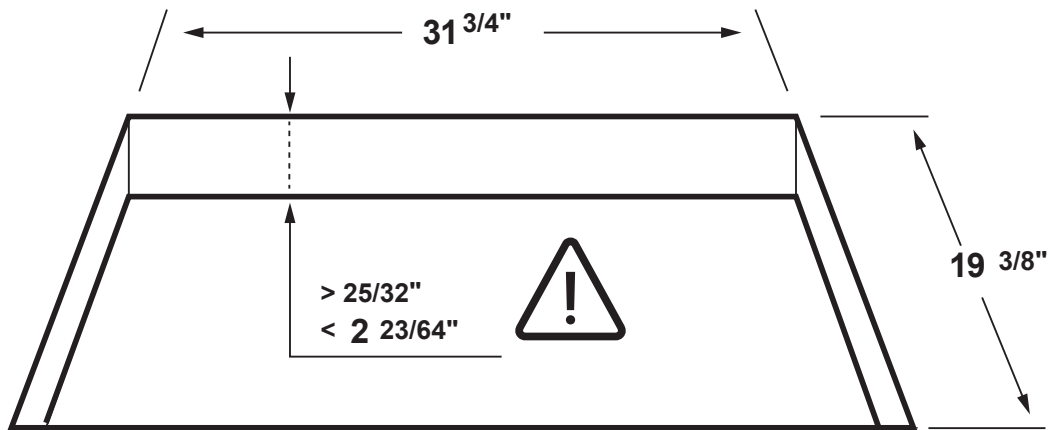




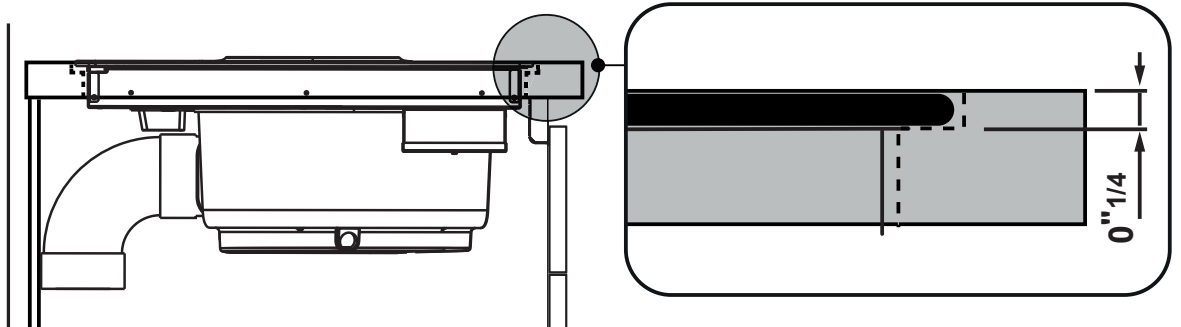
inst.A



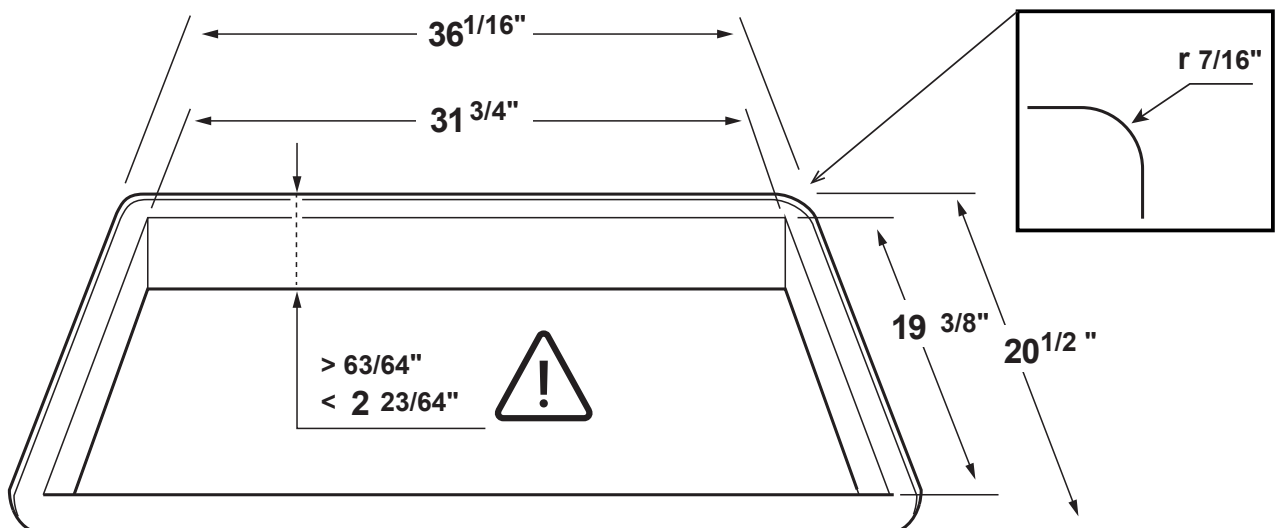
4

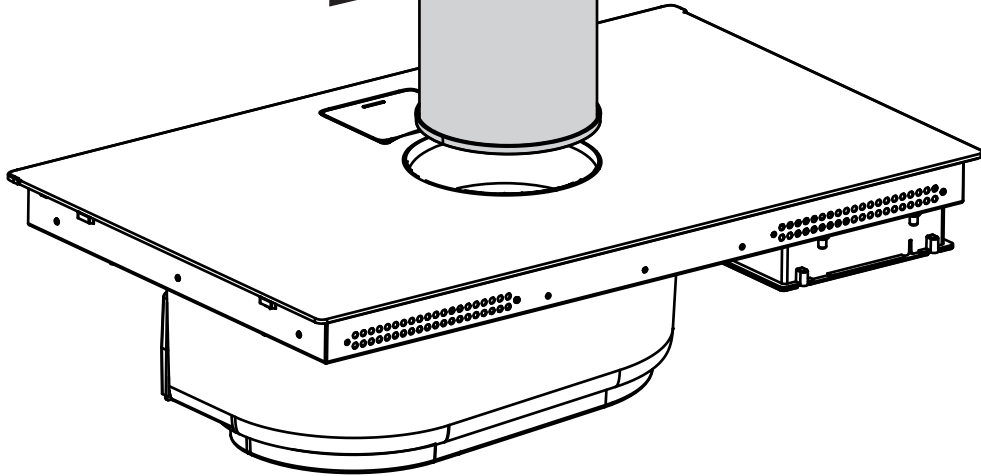
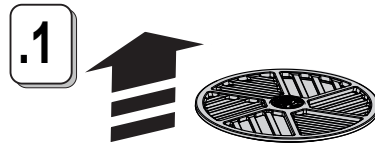


inst.B

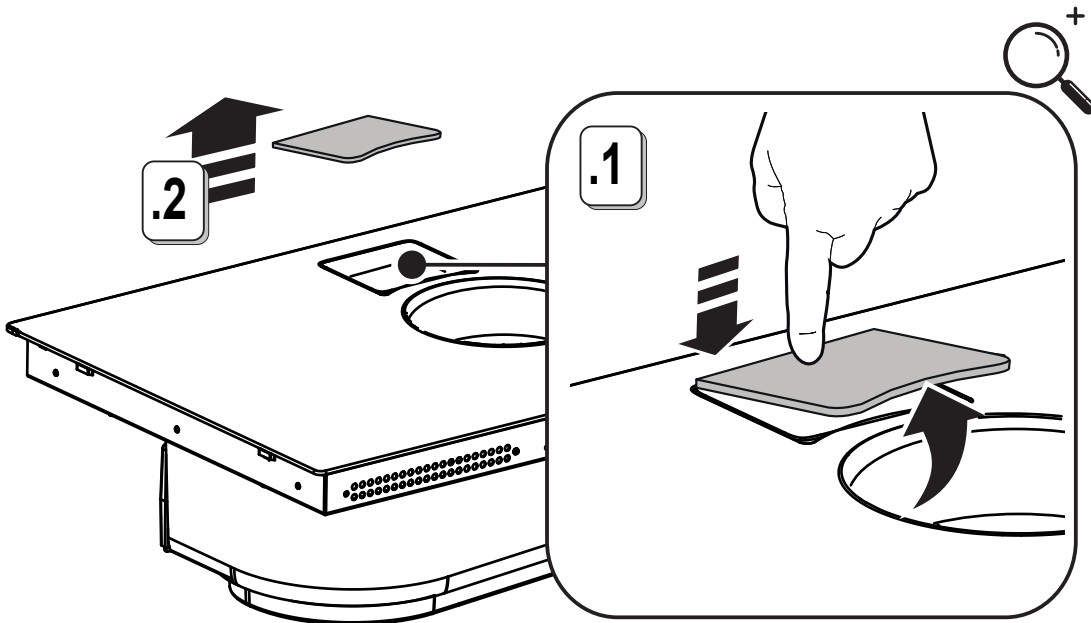


4

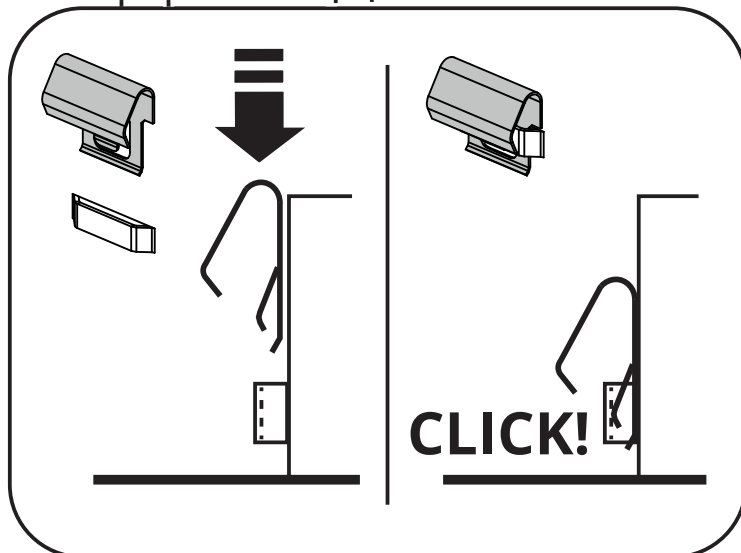
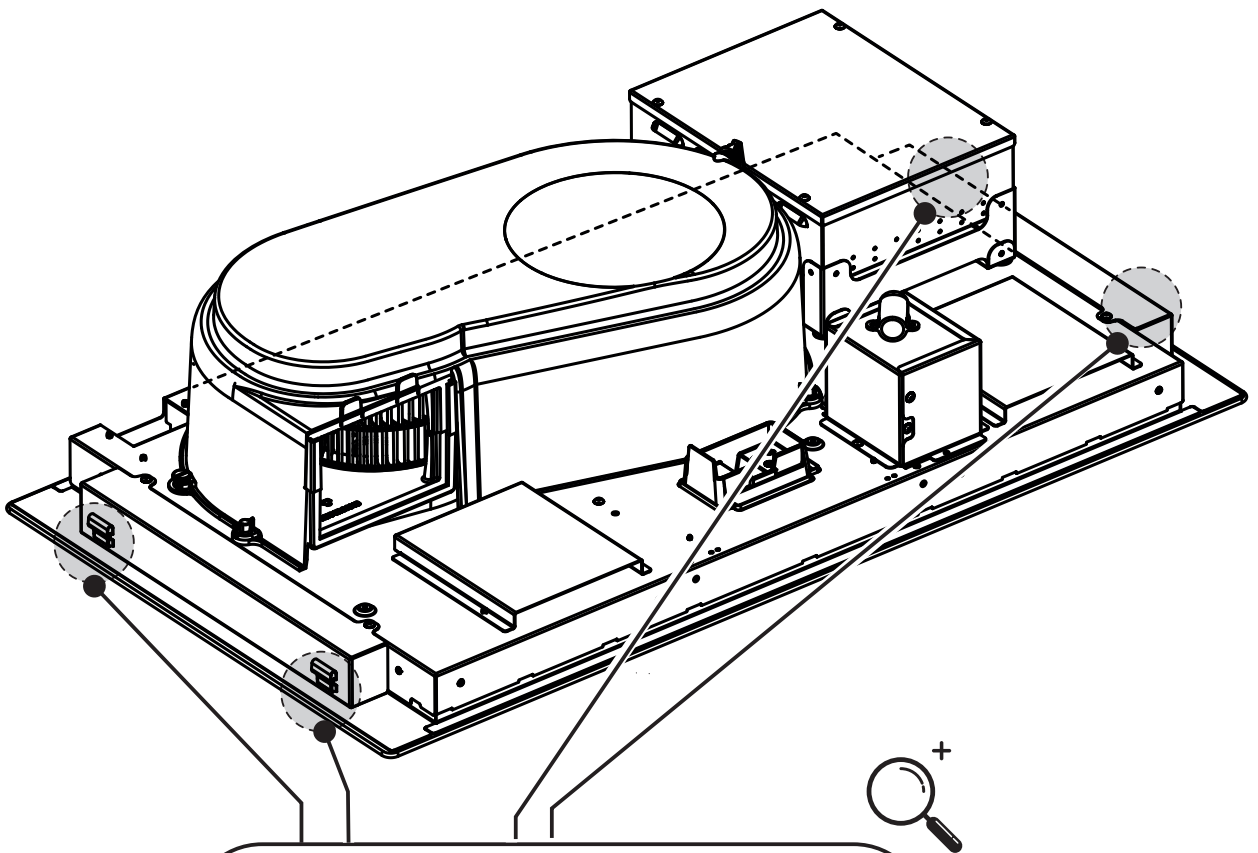
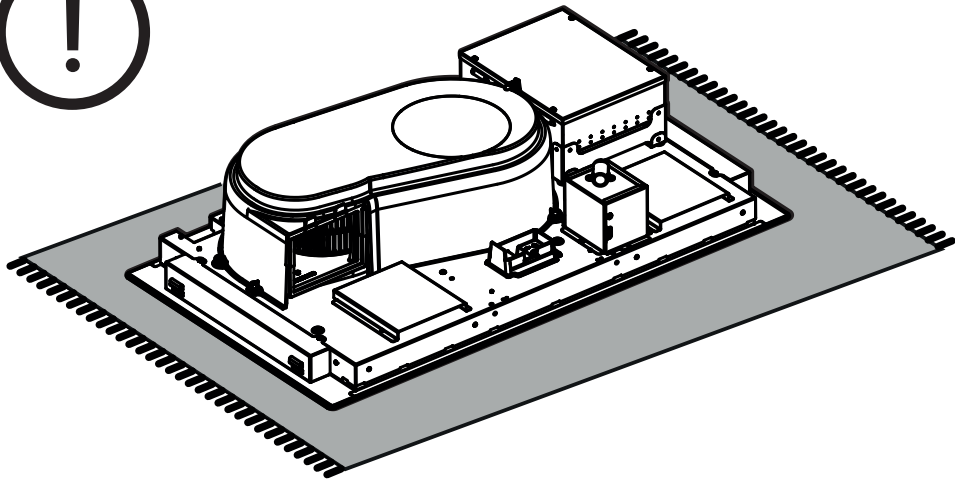


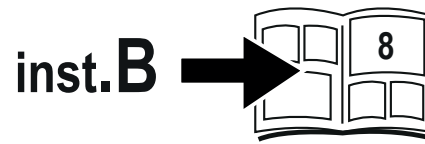
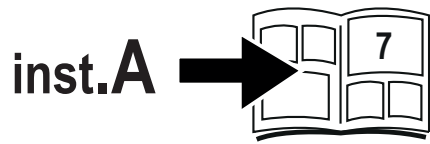


5

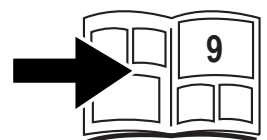
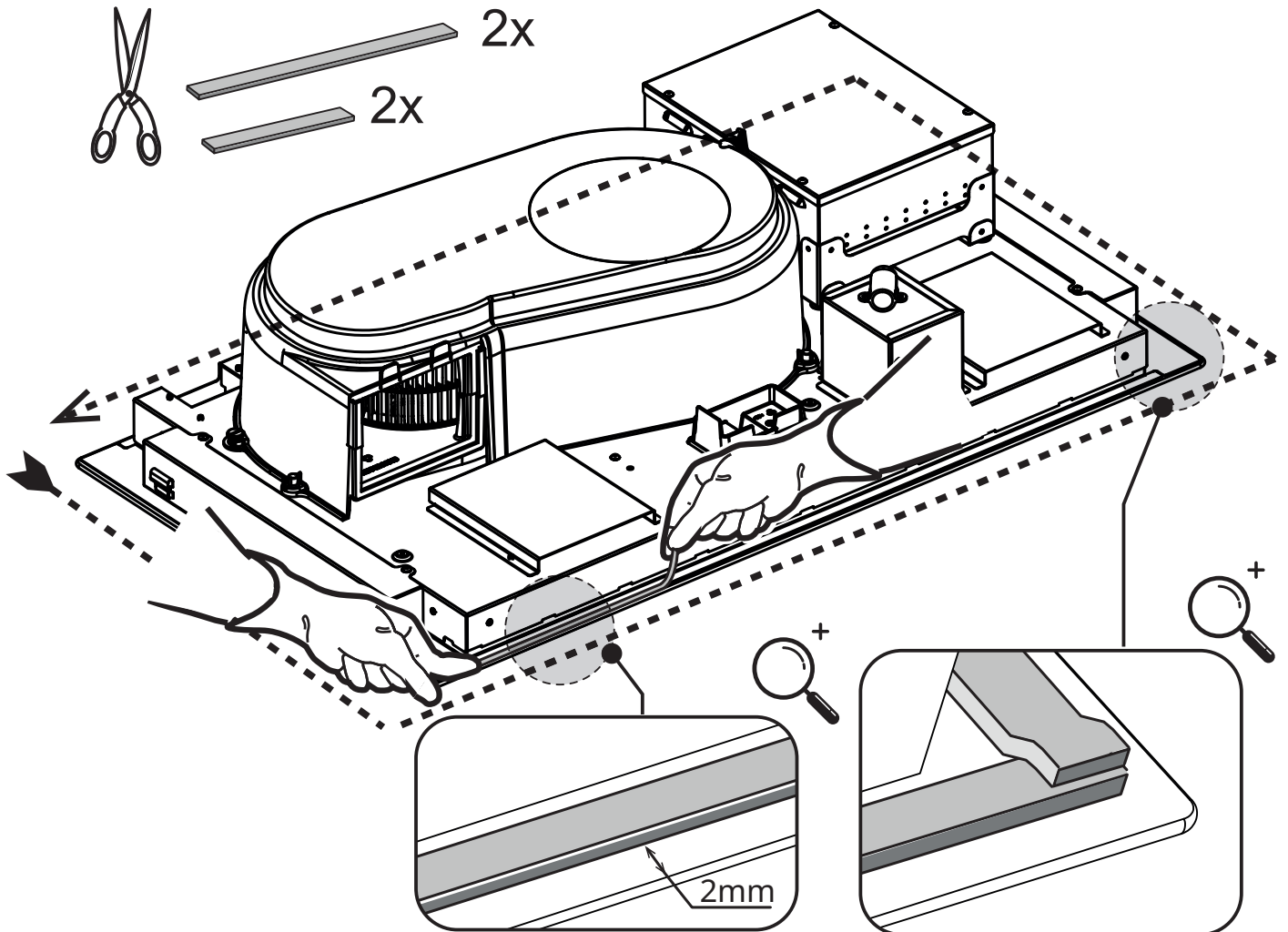
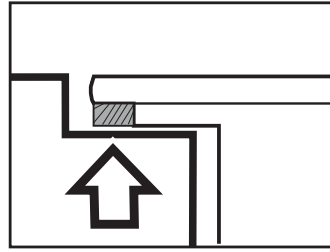
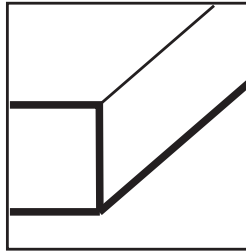
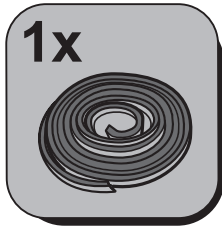


5.1



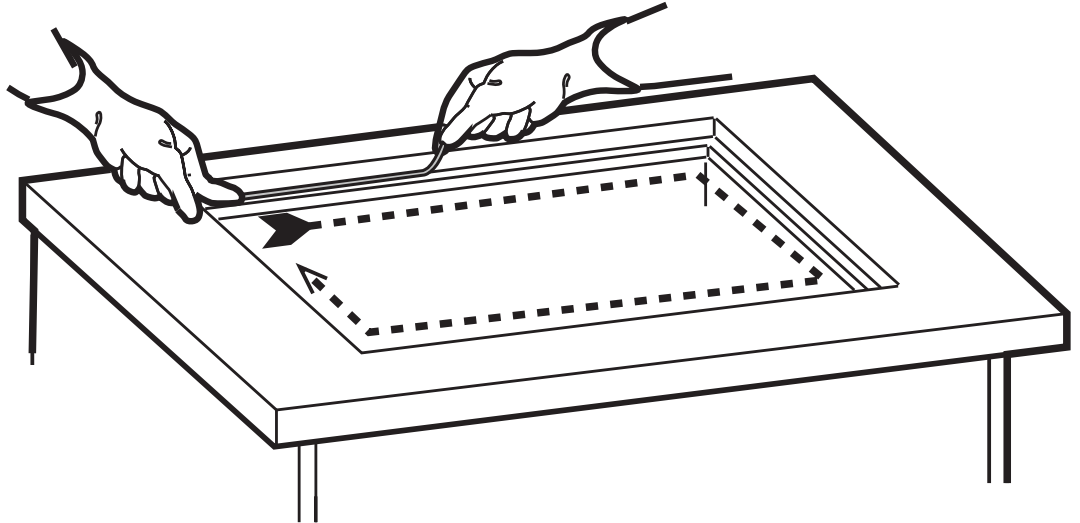
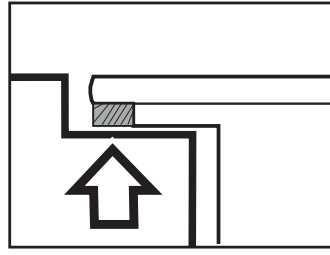
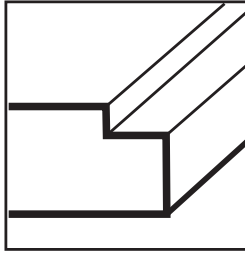


inst.A

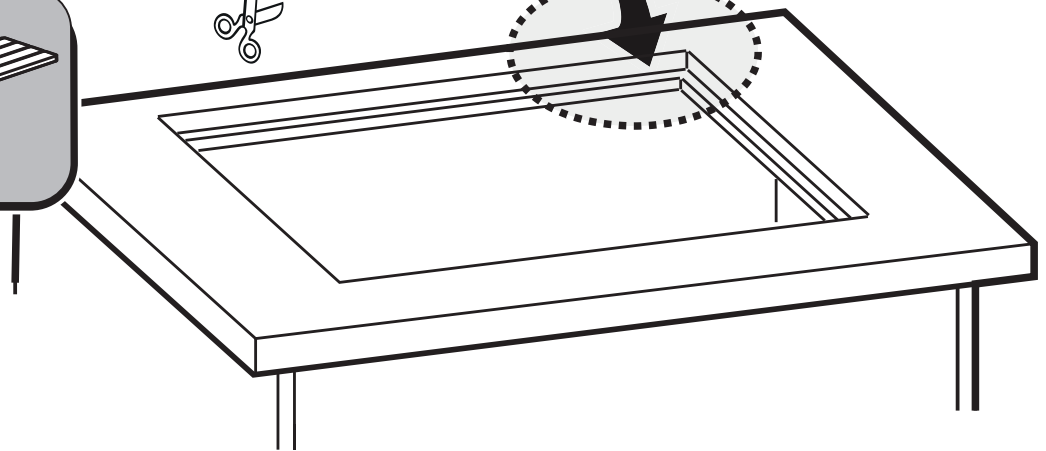
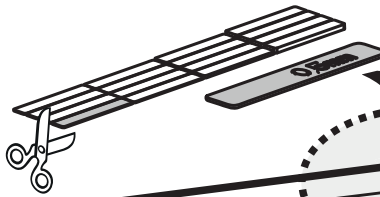
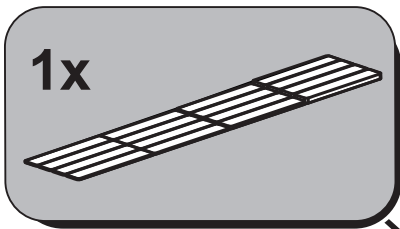




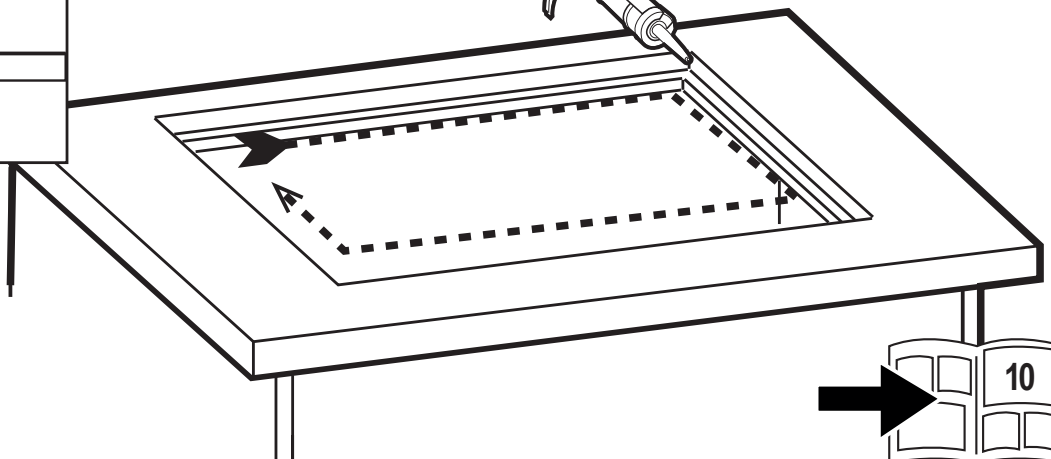
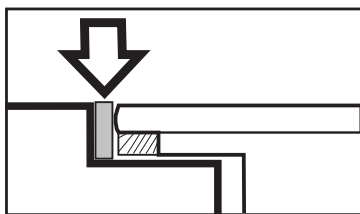
inst. B



8

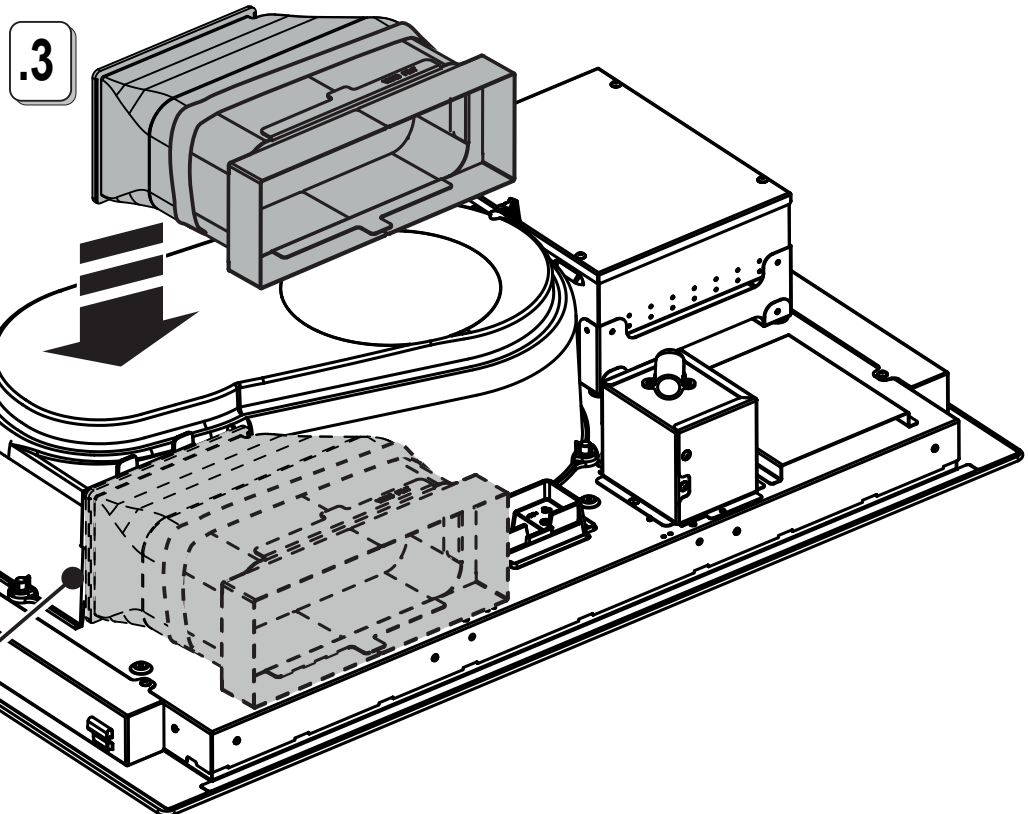
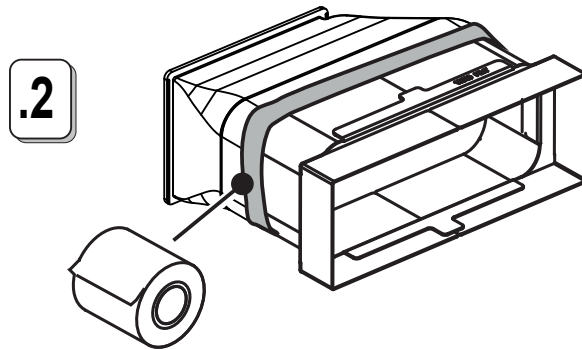
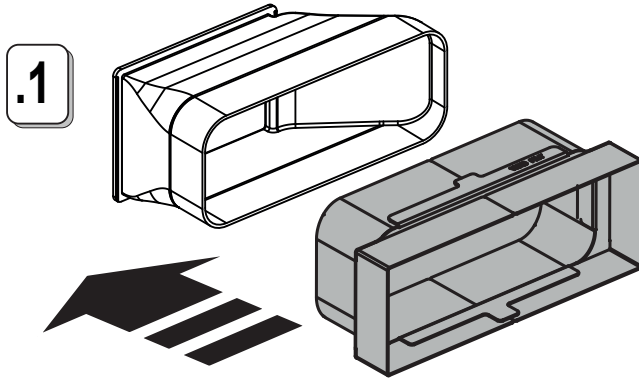


8.1



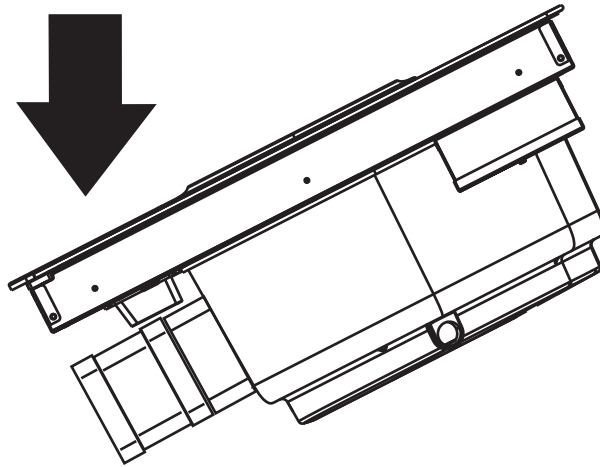
8.2



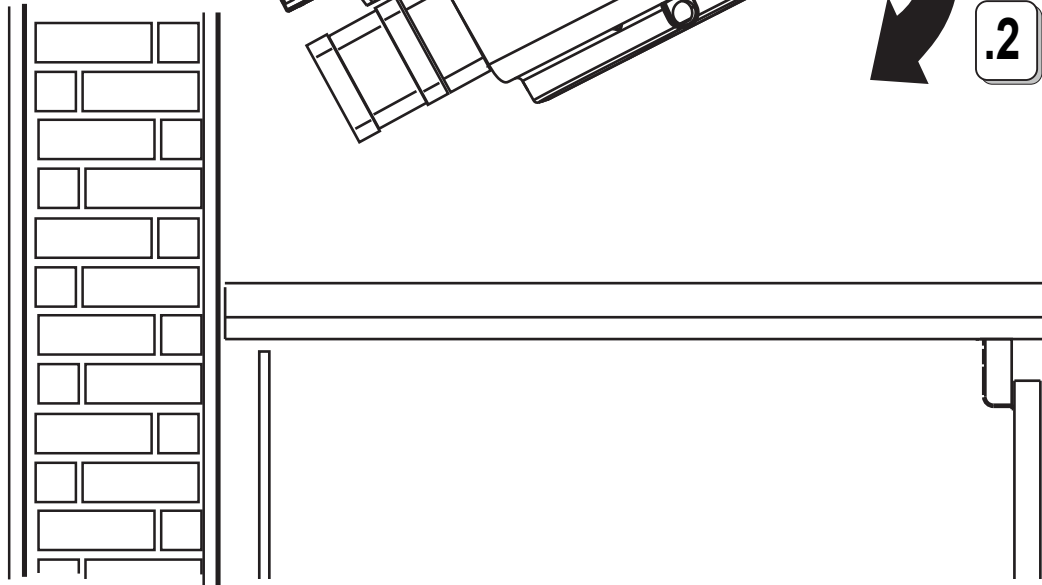




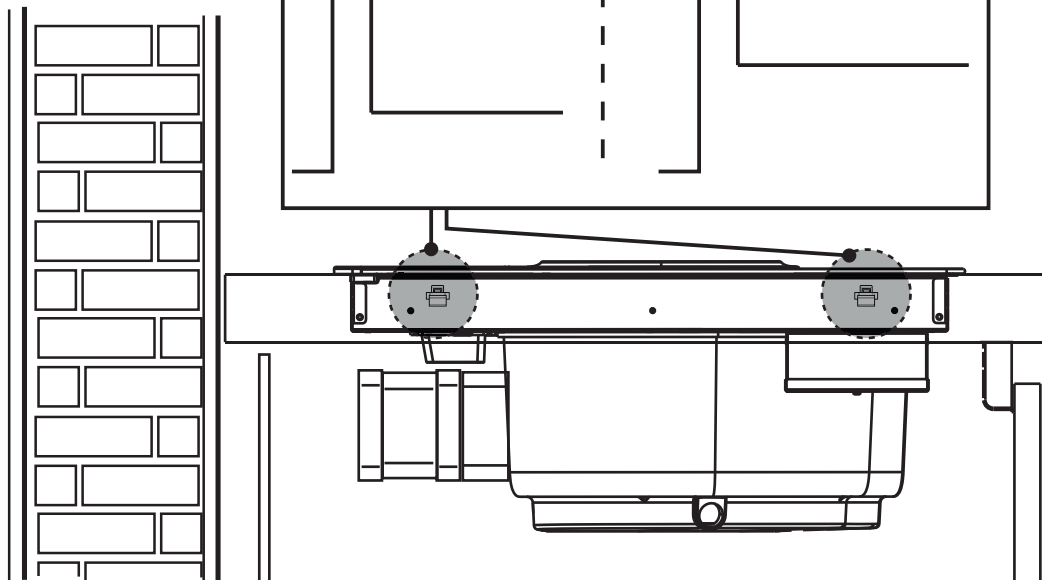
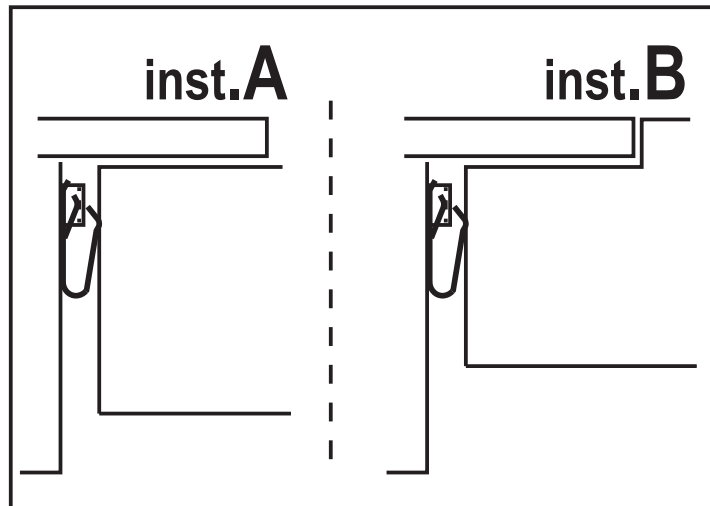
.1



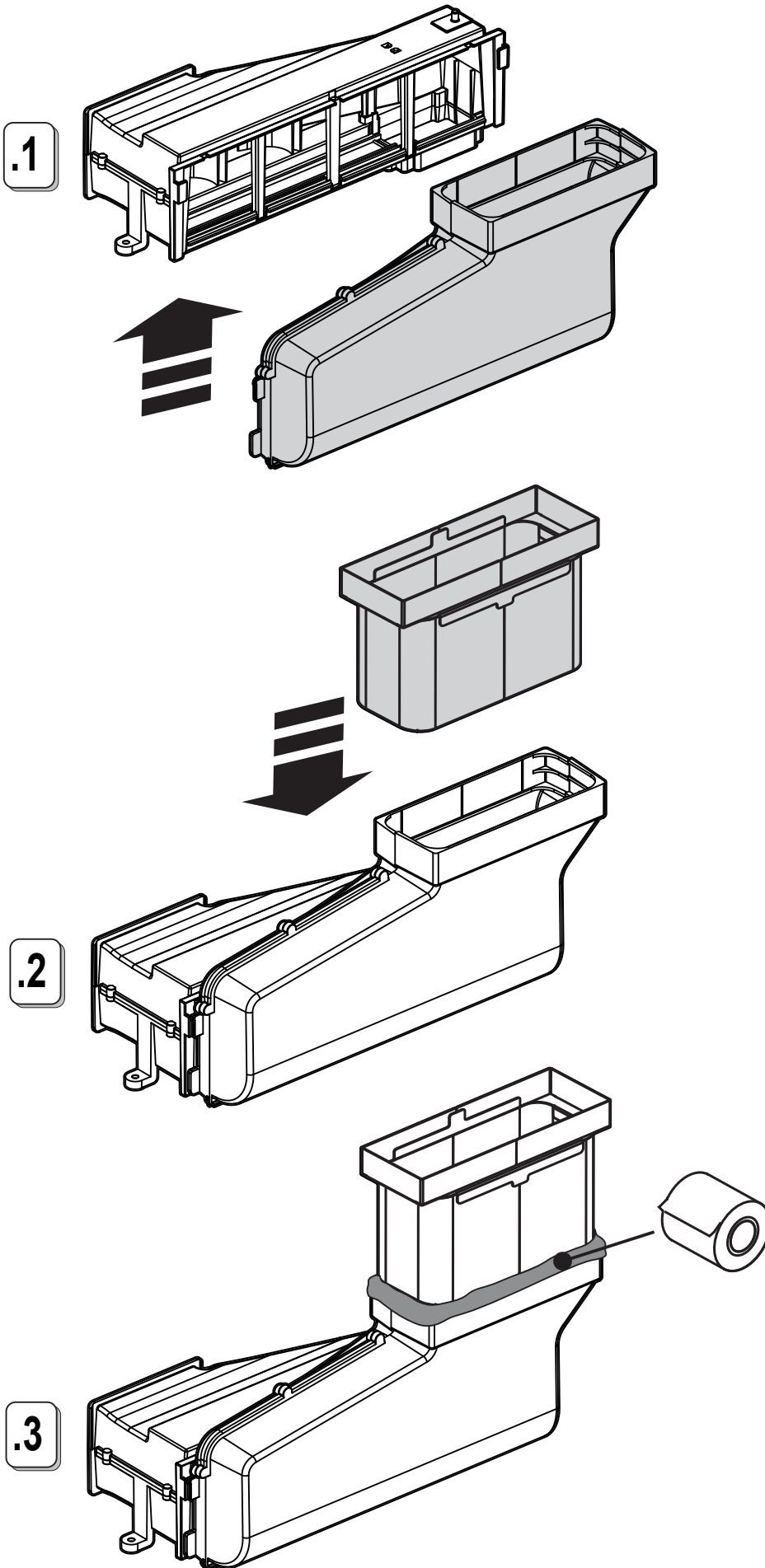
.2



9.1




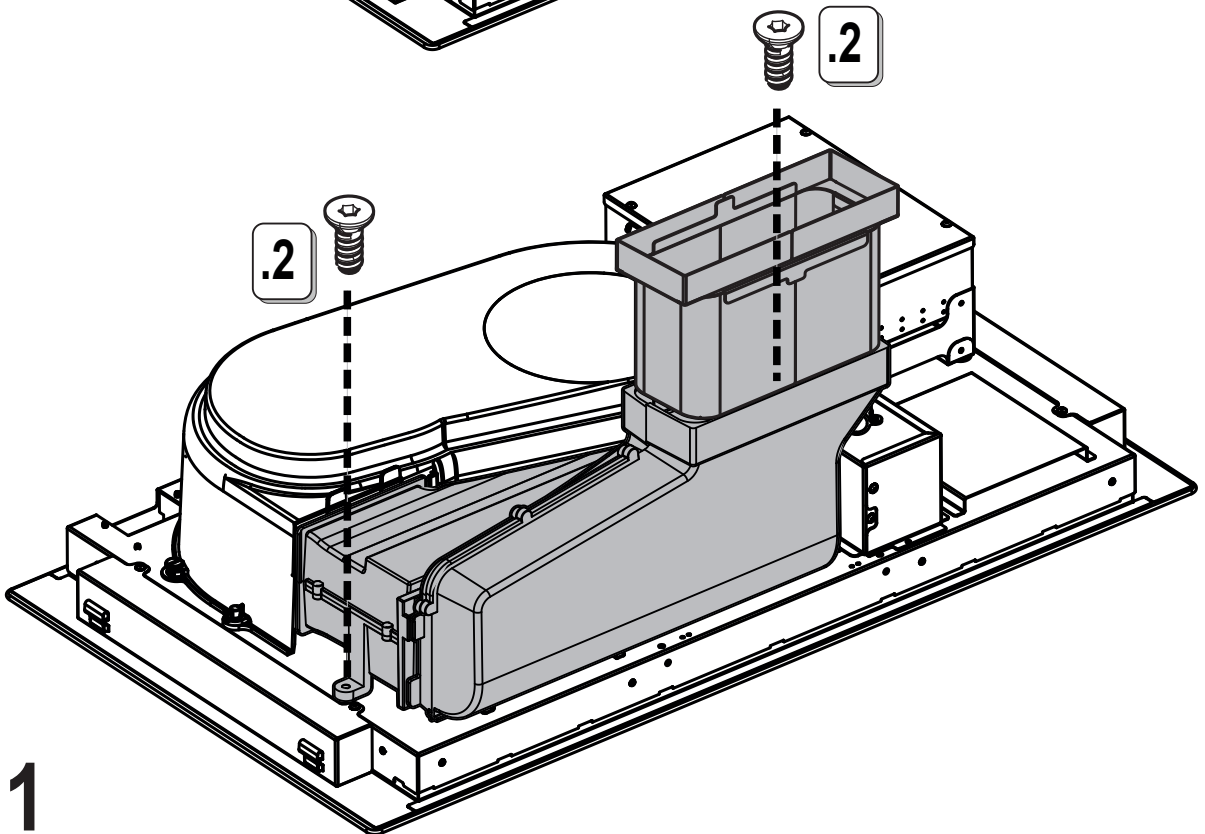
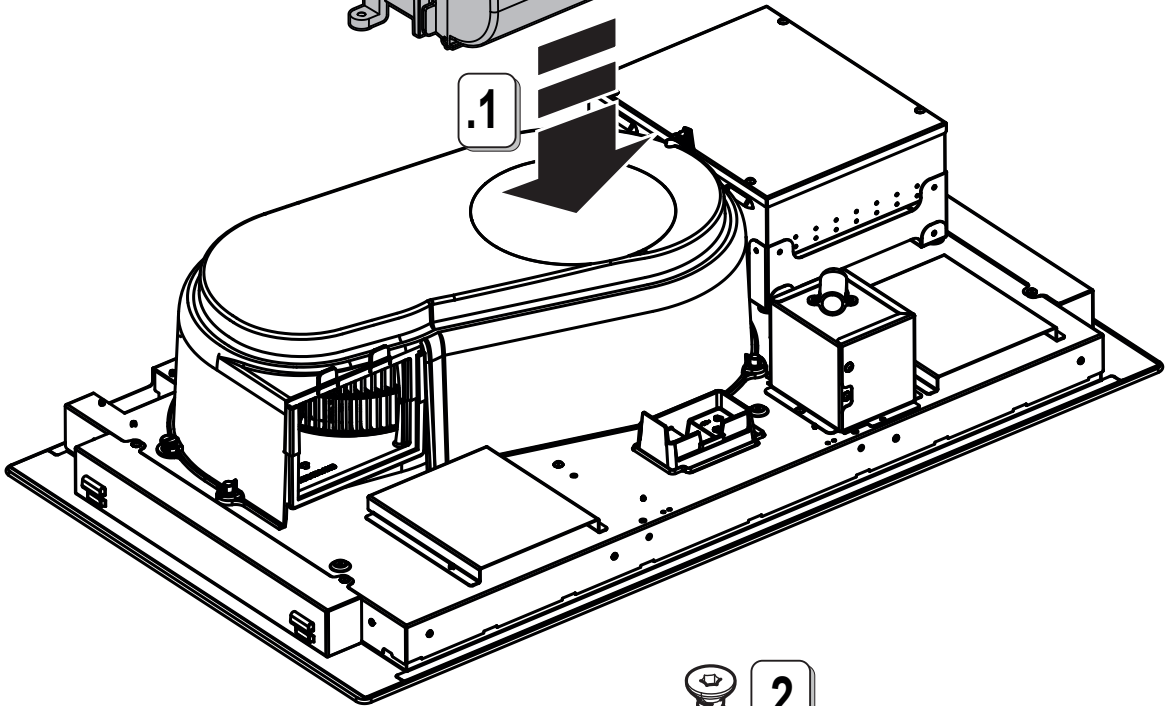
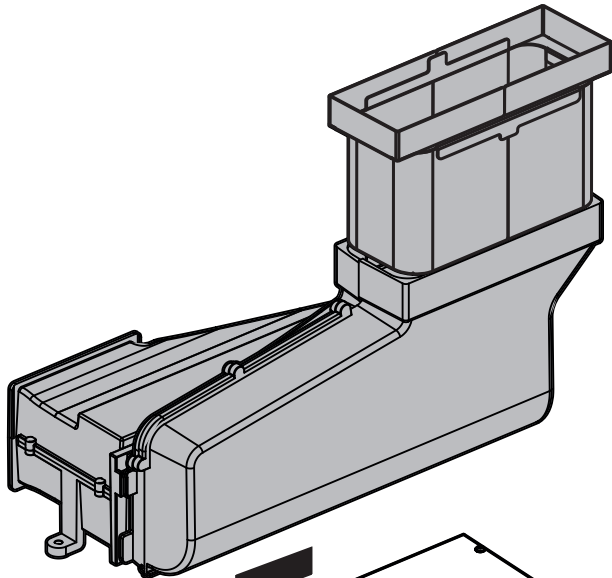
9.2





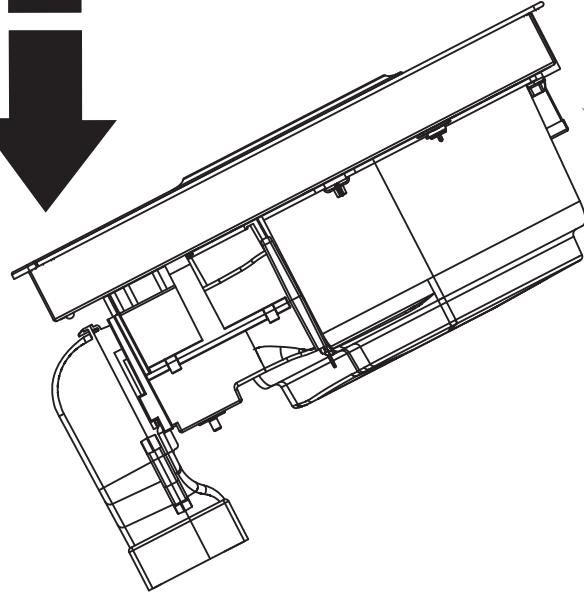


2x   
3,5x9,5mm

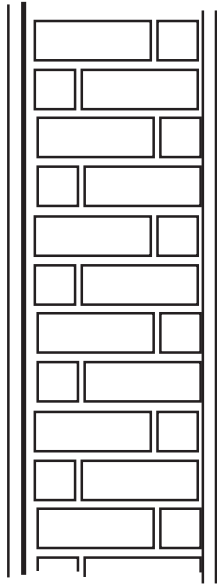




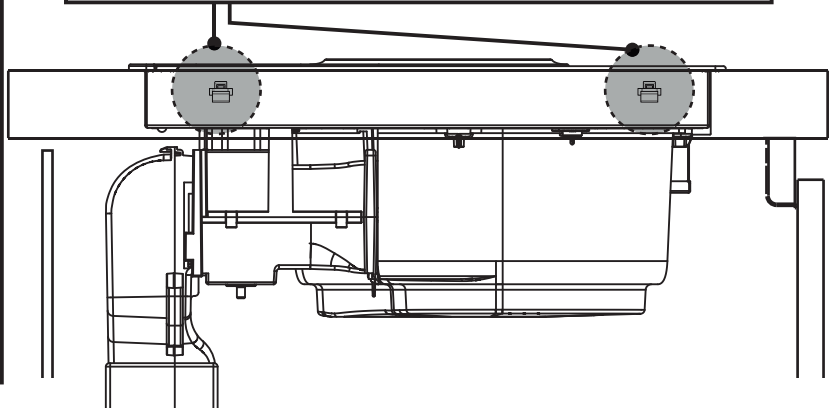
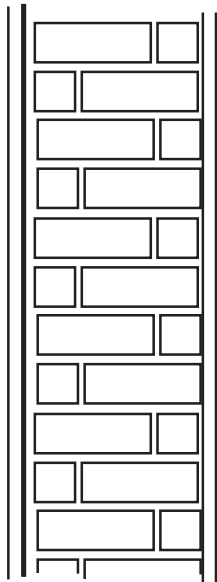
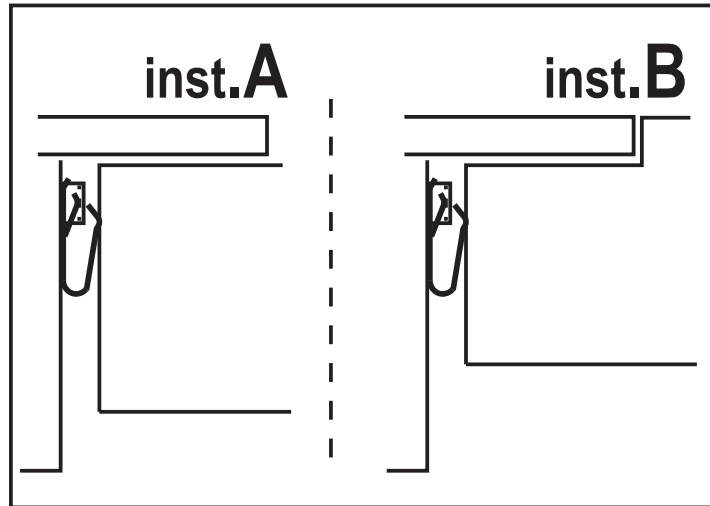
.1



.2



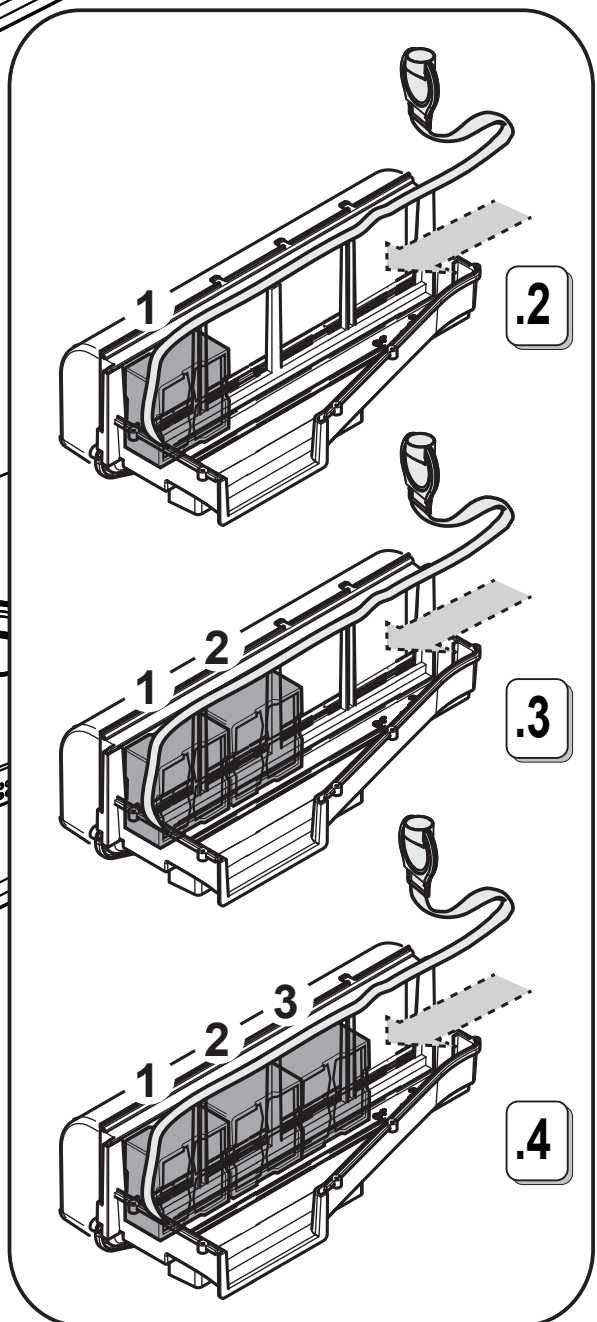
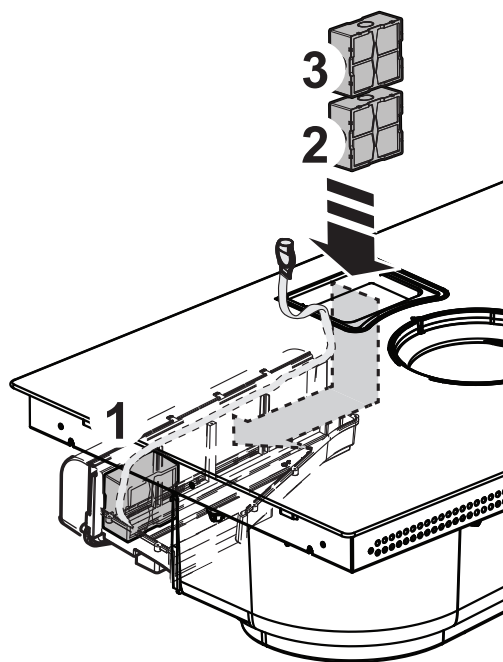
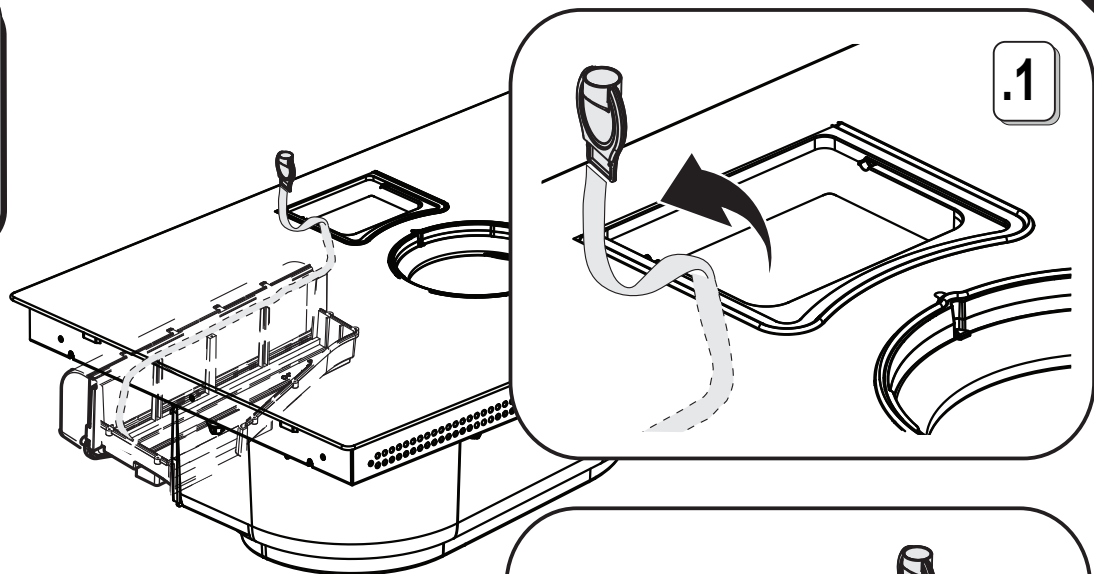
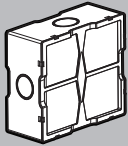
10.2



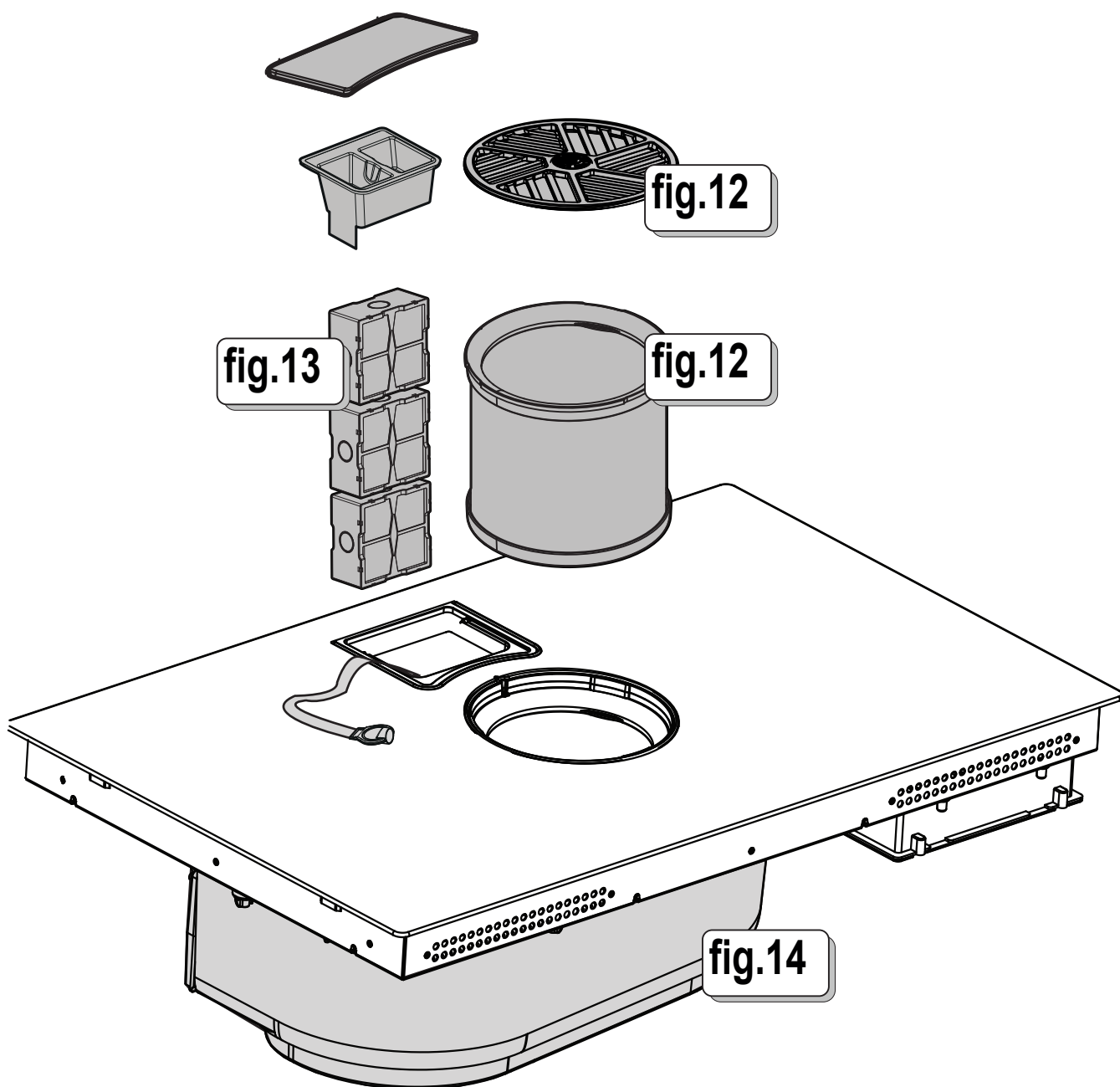
10.3

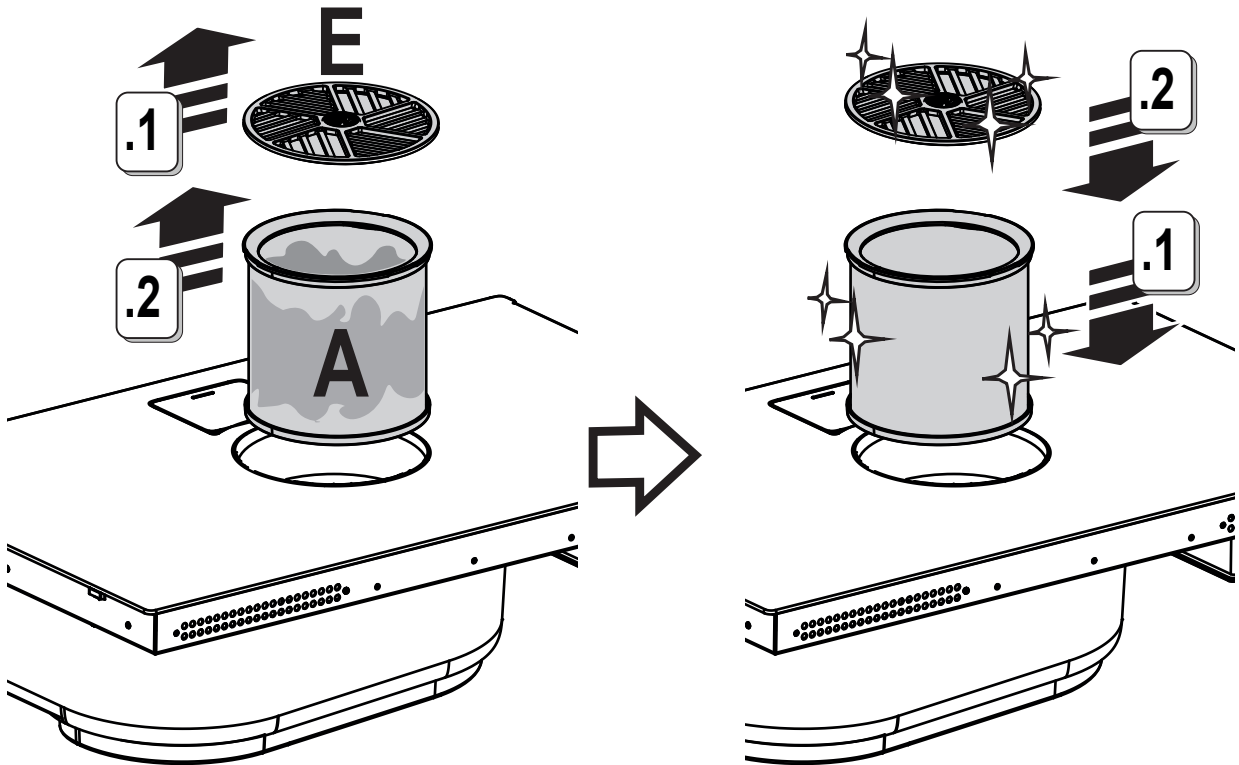


3x

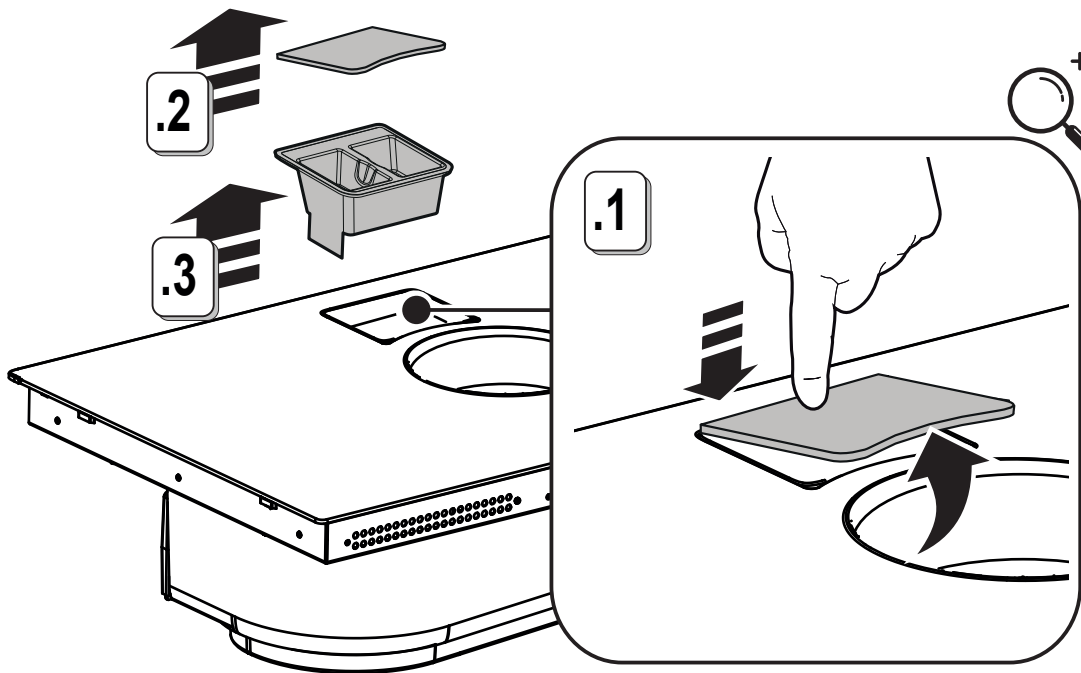


10.4





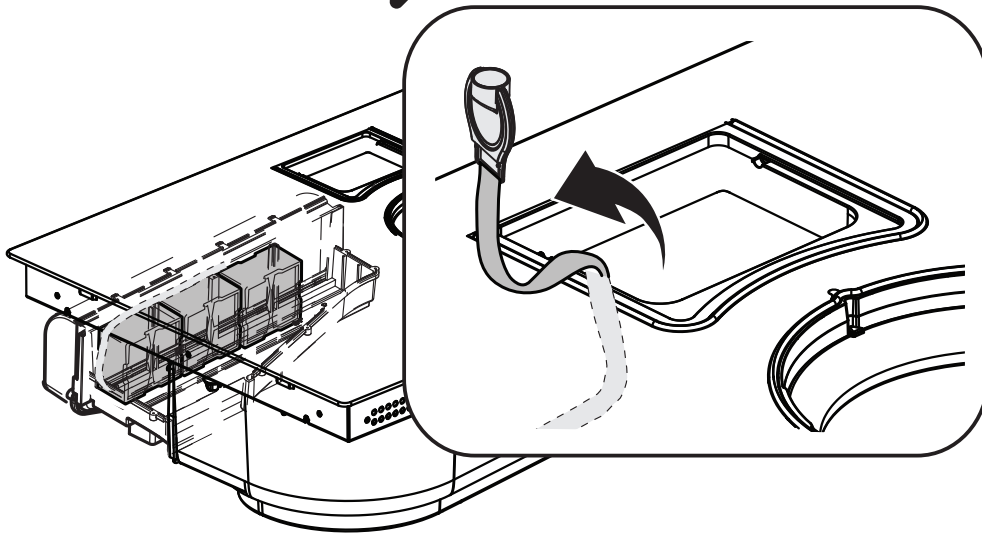
12



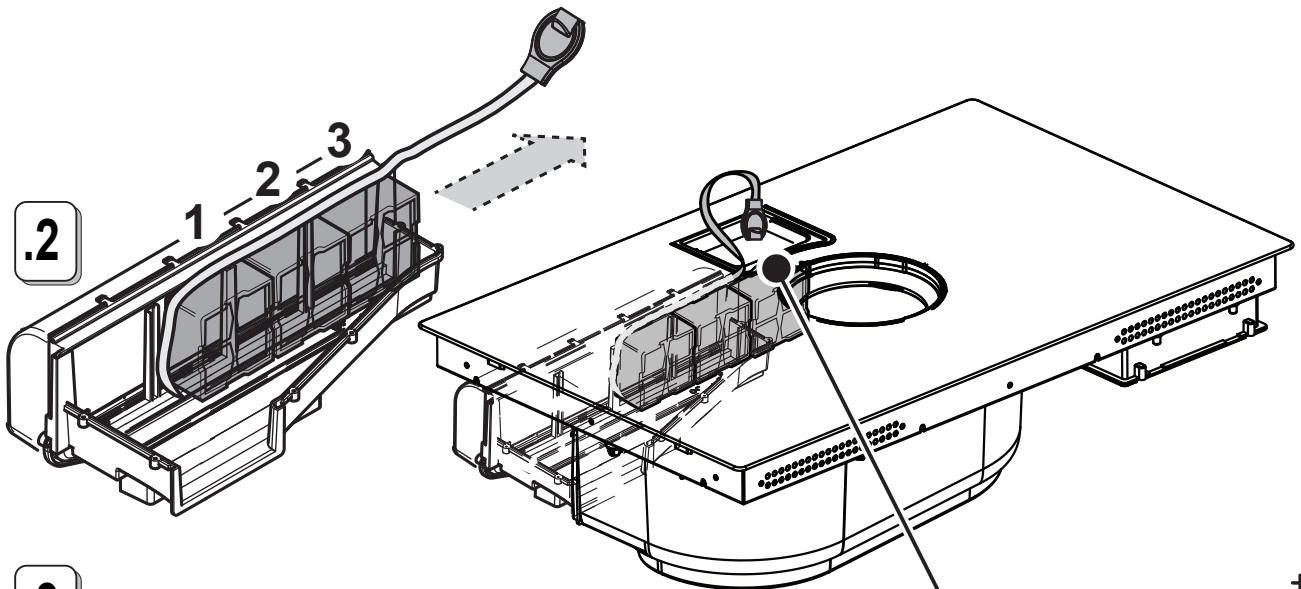
13



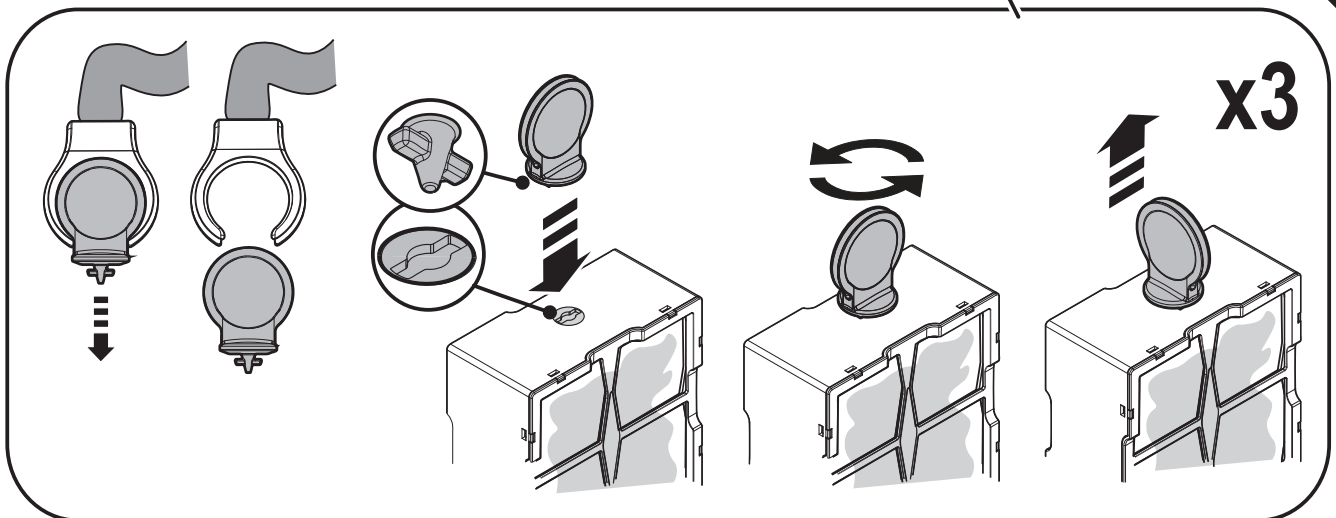
.1



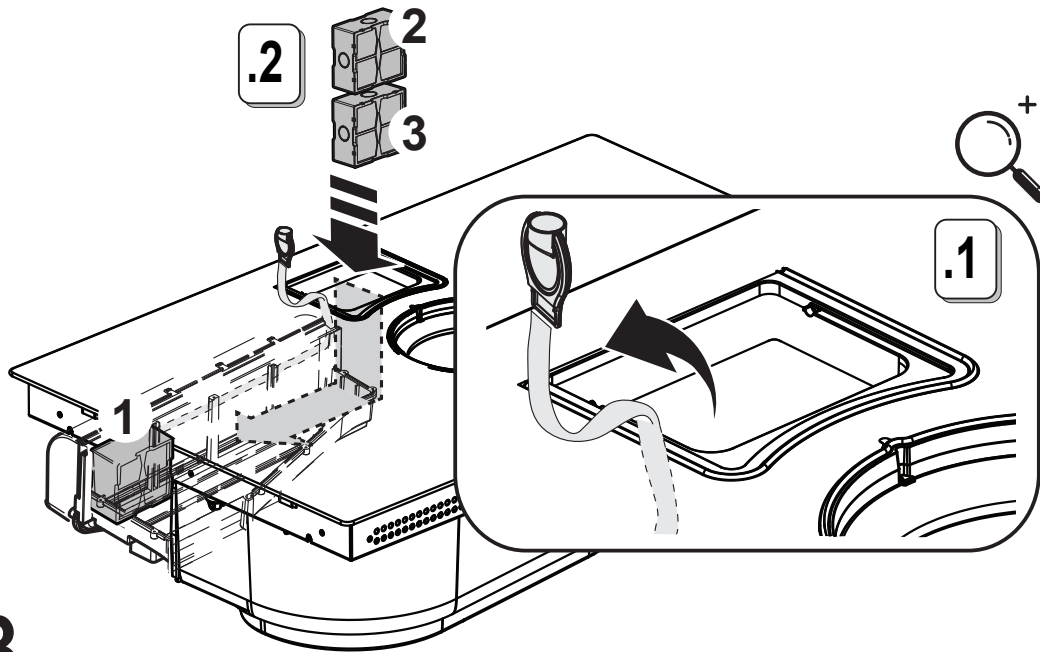
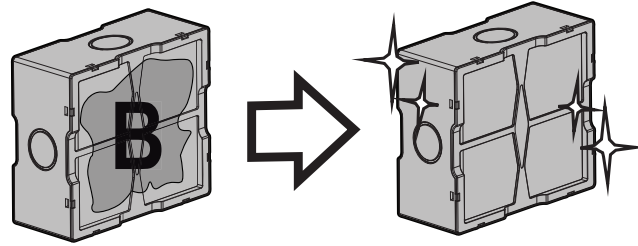
.2



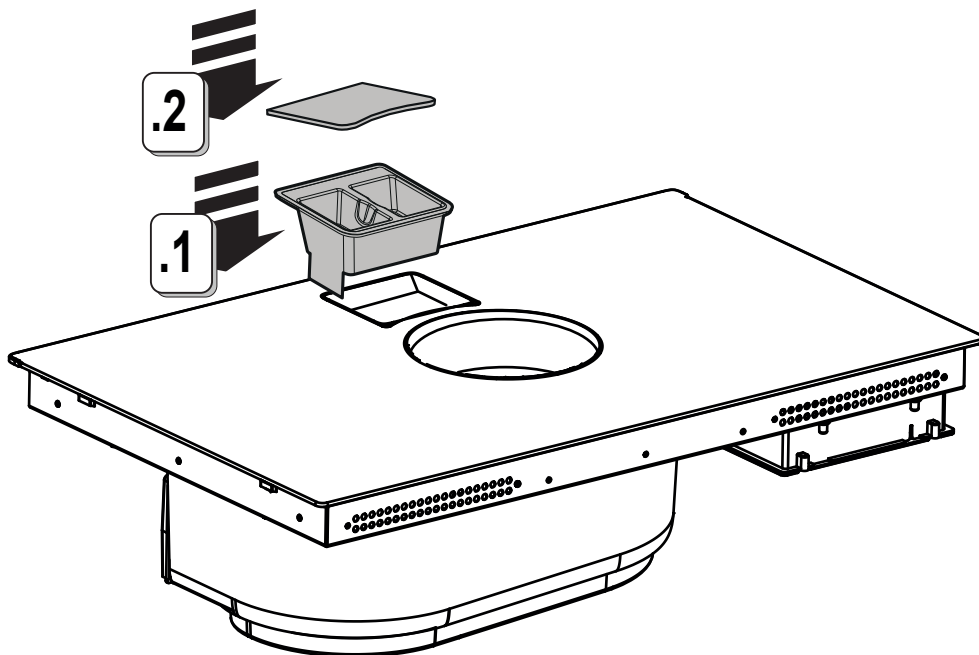
.3



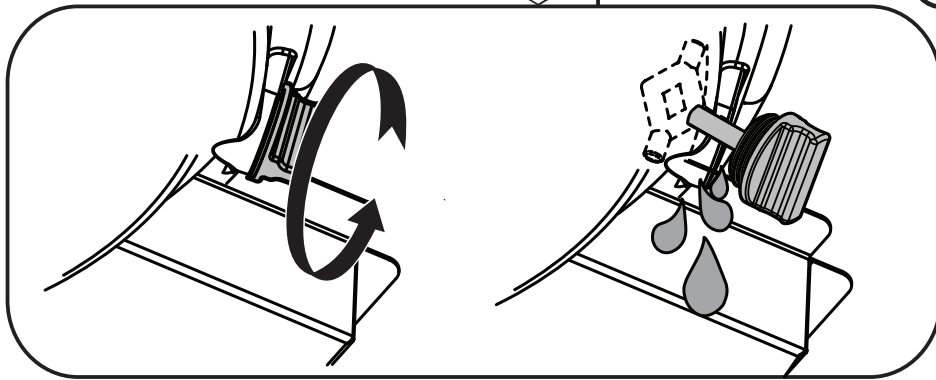
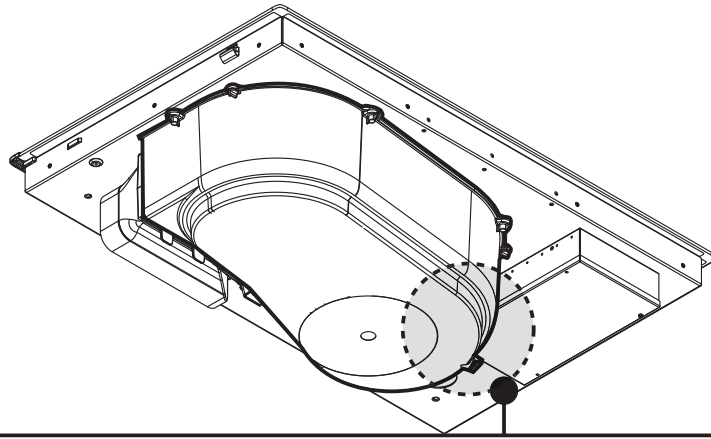
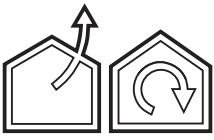
13.1



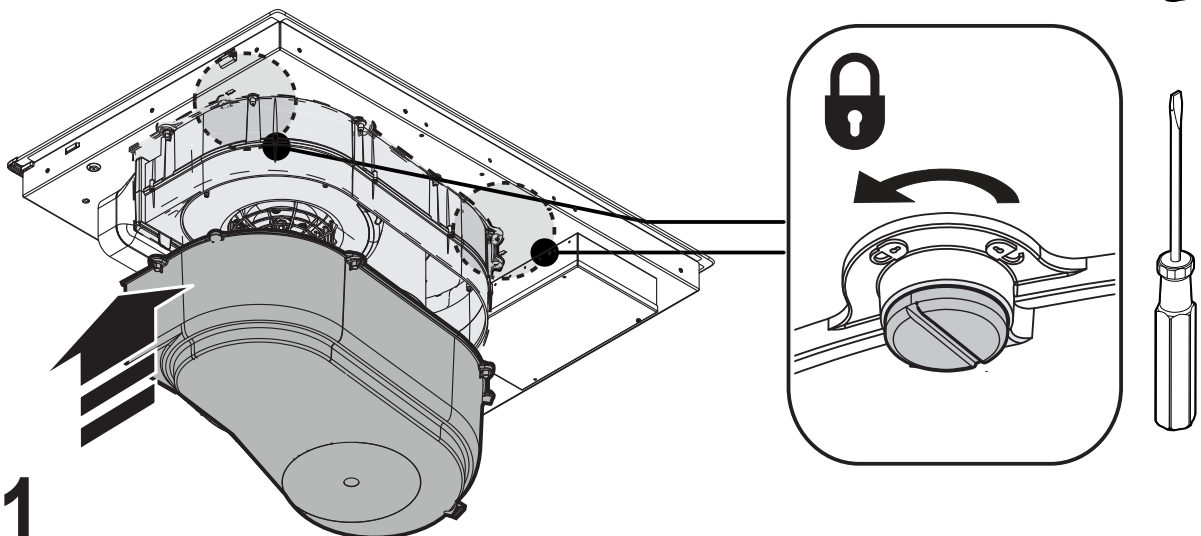
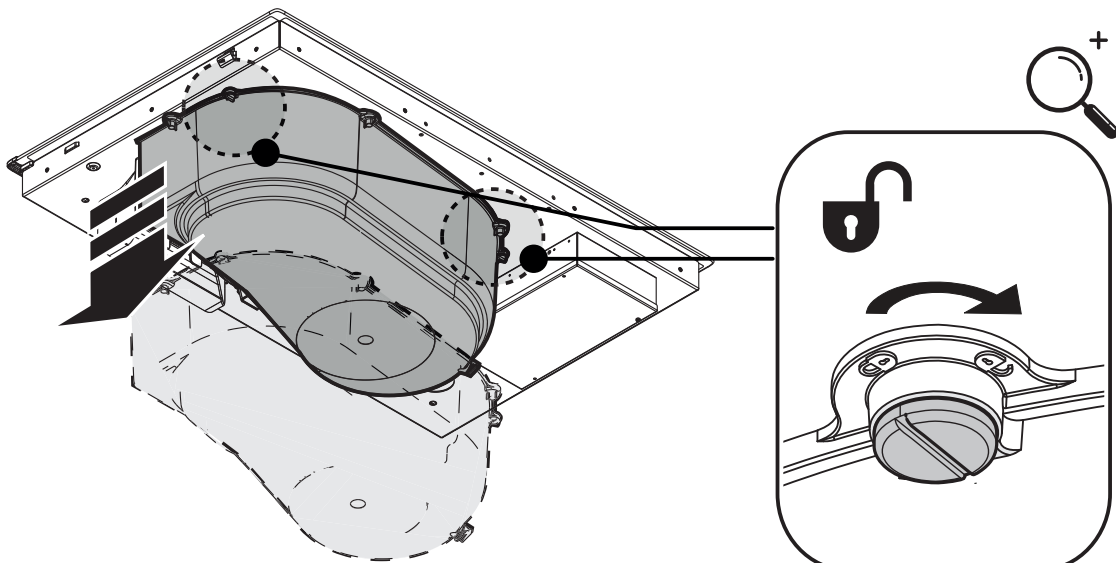
13.3



13.4

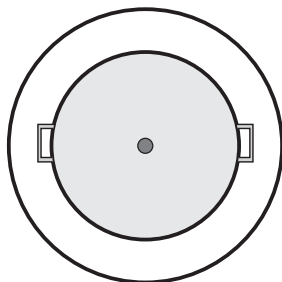
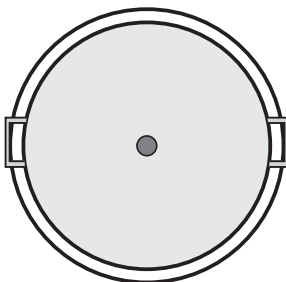
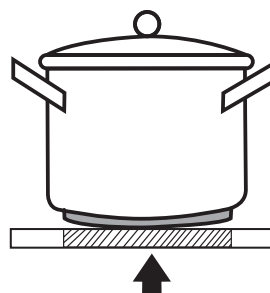
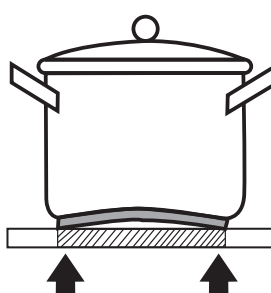
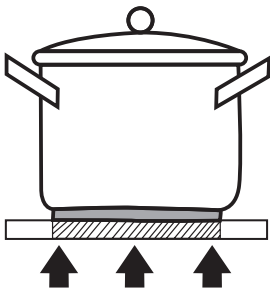
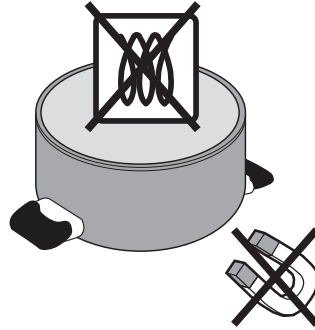
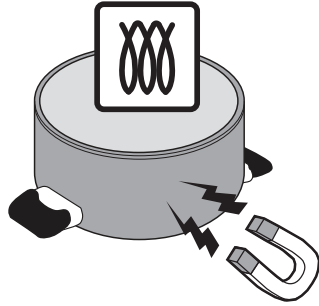


14



14.1





- 40 %

