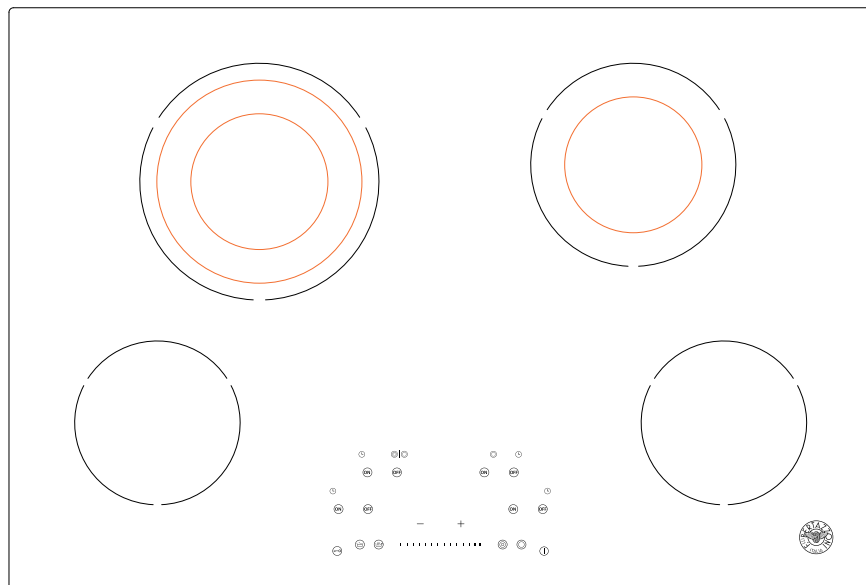


CERAMIC GLASS COOKTOP • Use and maintenance instructions

EN

TABLE VETROCERAMIQUE • Instructions pour l'utilisation et manutention

FR



CUSTOMER CARE

For any warranty information and service request, contact us:



In USA: <https://us.bertazzoni.com/more/support>
In Canada: <https://ca.bertazzoni.com/more/support>

CALIFORNIA PROPOSITION 65



WARNING: Cancer and Reproductive
Harm -
www.P65Warnings.ca.gov.

3071108

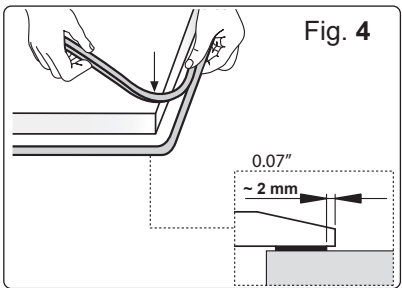
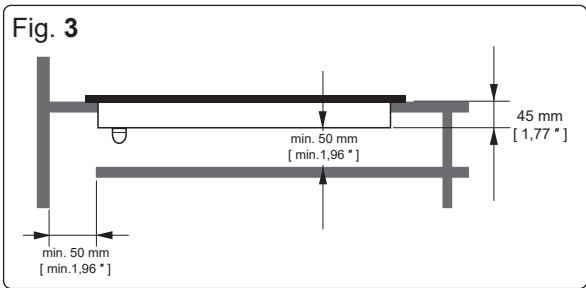
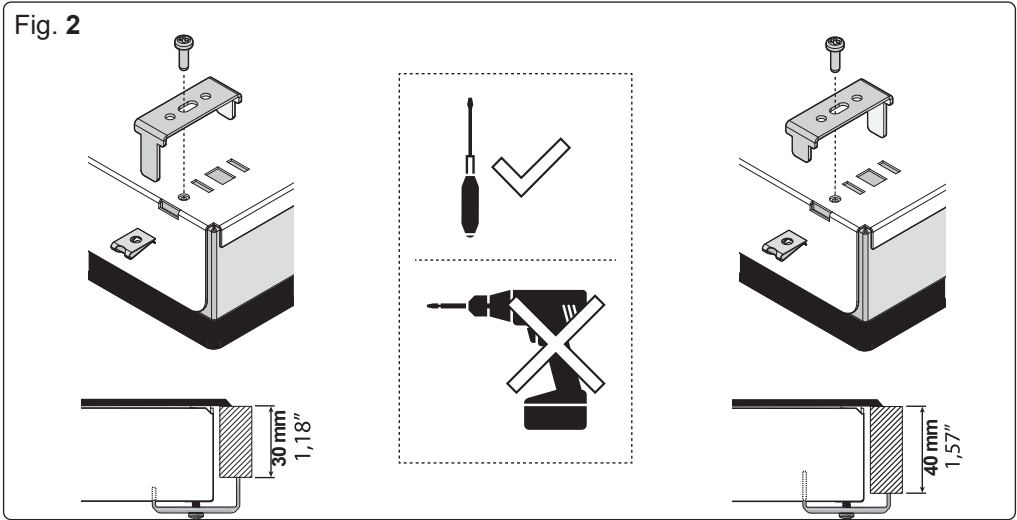
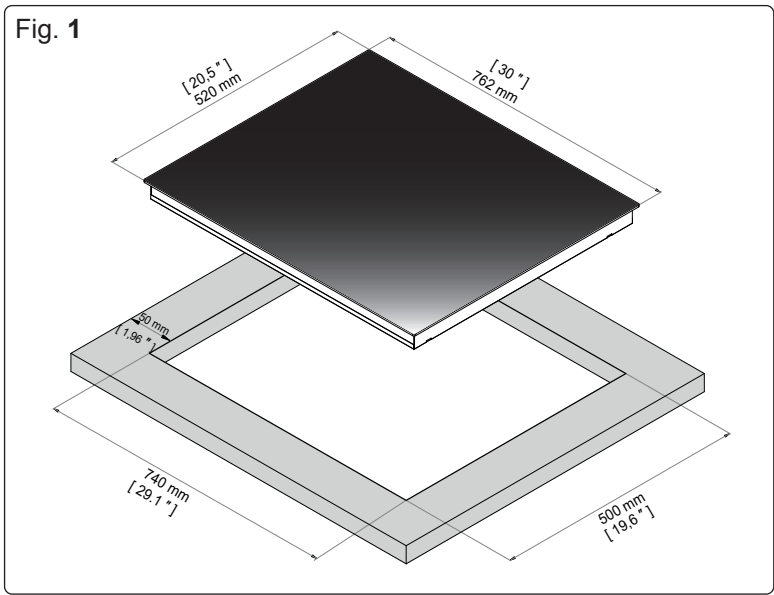


Fig. 5

L1 (black)

L2 (red)

GND (green/yellow)

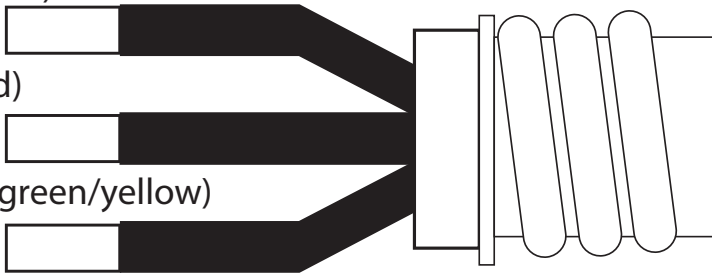


Fig. 6

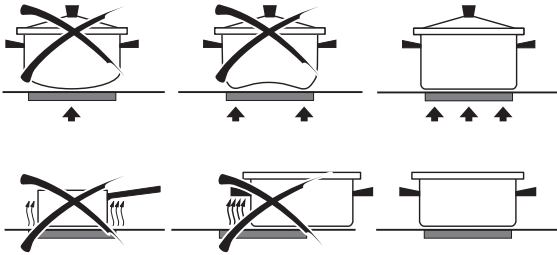


Fig. 7

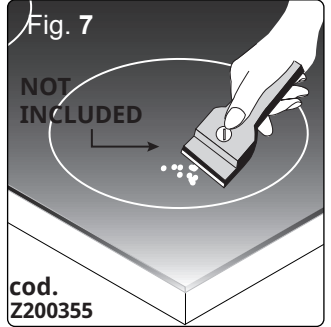


Fig. 8

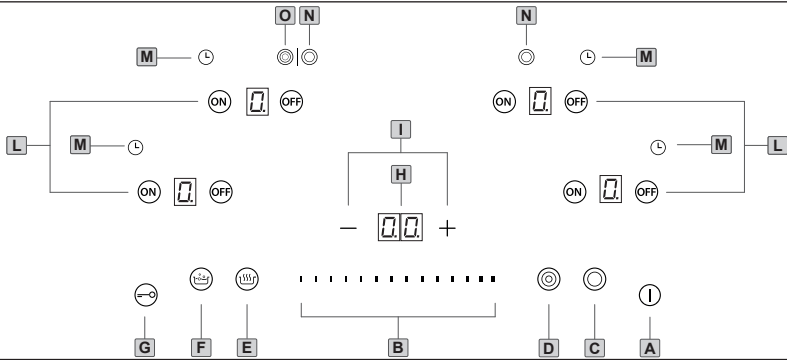


Fig. 9

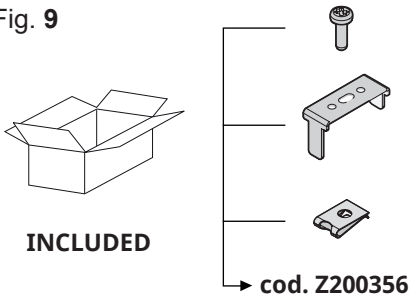
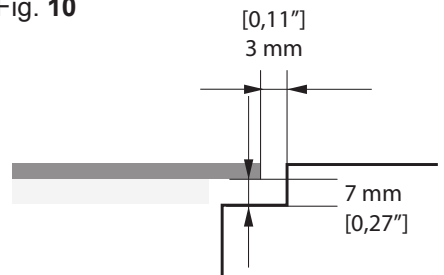


Fig. 10



GENERAL

Carefully read the contents of this instruction manual since it provides important instruction manual regarding safety of installation, use and maintenance. Keep the Instruction manual for possible future consultation. All the operations relating to instruction manual (electrical connections) must be carried out by specialised personnel in accordance with current regulations and code.

SAFETY WARNINGS

It is recommended to use flat-bottom pans with a diameter equal to or slightly larger than that of the heated area (Fig.6). Do not use pans with a rough base in order to prevent scratching the heat surface of the cooking hob. This appliance is not suitable for use by children or persons requiring supervision.

IMPORTANT

- Avoid spilling liquid, therefore to boil or heat liquids, reduce the power of the cooking zone.
- Please ensure when the appliance is turned on, that there are no empty pots left on top.
- After cooking, make sure to switch off the heating element used.

!! WARNING !!

If the surface of the hob is cracked, turn off the appliance and disconnect from the electrical main in order to avoid any possible electric shocks.

INSTALLATION INSTRUCTIONS

These instructions are for a specialized installer and are a guide for the installation process, regulations and maintenance in accordance with the law and current standards. If the built-in oven or any other appliances that produce heat, need to be installed directly underneath the cooking hobs in ceramic glass, **IT IS NECESSARY THAT THE APPLIANCE (oven) AND THE COOKING HOBS IN CERAMIC GLASS ARE ADEQUATELY ISOLATED (fig.3)**. Failure to follow this precaution,

could cause a malfunction in the TOUCH CONTROL system.

POSITIONING

The domestic appliance was built in order to be built into a work surface, the way it is illustrated in Fig 1. Place sealing gasket along the whole perimeter Fig. 4 (the dimensions of the cut Fig.1). This sealing gasket is included in the product packaging, if this is lost you can request it again. This operation is necessary to avoid any liquids penetrating the worktop. Lock the domestic appliance into place with 4 supporters, keeping in mind the width of the surface (Fig.2). If the lower part of the appliance after installation, is accesible via the lower part of the furniture, it is necessary to mount a separating panel keeping in mind the distances indicated (Fig.3). It is possible to mount the hob in Flush mode. Following the measurements in fig. 10, i.e. with a distance from the hob to the hob of 7 mm [0,27"].

ELECTRICAL CONNECTIONS

(Fig.5)

Electrical safety instructions

- All electrical work should be carried out by a suitably qualified and competent person, in strict accordance with current local and national safety regulations. Installation, repairs and other work by unqualified persons could be dangerous. The manufacturer cannot be held liable for unauthorised interventions.
- A damaged cable must be replaced by a suitably qualified electrician with a special connection cable of the same type of the one originally provided with the cooktop.
- Ensure power is not supplied to the appliance until after installation or repair work has been carried out. The appliance must only be operated when built-in. This is to ensure that all electrical parts are shielded. Live parts must not be exposed.
- Do not connect the appliance to the mains electricity supply by an extension cord. These do not guarantee the required safety of the appliance.
- Connection should be made via a suitable isolator which complies with national and local safety regulations, and the On/Off switch should be easily accessible after the appliance has been built in.

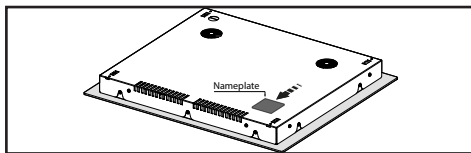
If the switch is not accessible after installation (depending on the country) an additional means of disconnection must be provided for all poles.

• For extra safety it is advisable to protect the appliance with a residual current device (RCD). Please contact a qualified electrician for advice.

When switched off there must be an all-pole contact gap of at least 3 mm (0,11") in the isolator switch (including switch, fuses and relays).

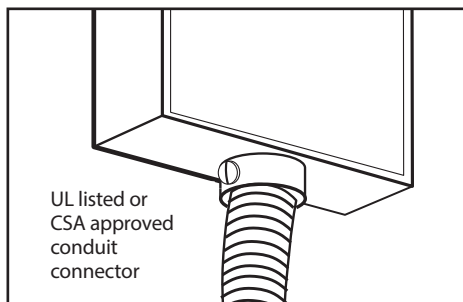
Electrical Connection

The cooktop is equipped with a flexible metal conduit encasing 3 wires ready for connection to a grounded power supply.



Please note the nameplate label located below the cooktop

1. Disconnect power.
2. Remove junction box cover if it is present.
3. Connect the flexible cable conduit from the cooktop to the junction box using a UL listed or CSA approved conduit connector.
4. Tighten screws on conduit connector if present.
5. See next page to complete installation for your type of electrical connection.



WARNING! THIS APPLIANCE MUST BE GROUNDED

The electrical safety of this appliance can only be guaranteed when continuity is complete between it and an effective earthing system, which complies with current local and national safety regulations.

It is most important that this basic safety requirement is present and regularly tested and, where there is any doubt, the electrical wiring in the home should be inspected by a qualified electrician. The manufacturer cannot be held liable for the consequences of an inadequate earthing system such as an electric shock.

The manufacturer cannot be held liable for damage which is the direct or indirect result of incorrect installation or connection.

WARNING!



Electrical Shock Hazard
 Disconnect power before servicing.
 Use 10 gauge copper wire.
 Electrically ground cooktop.
 Failure to follow these instructions can result in death, fire, or electrical shock.

Please see Fig. 5:

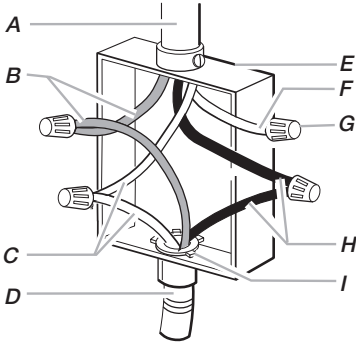
208/240 V, 60 Hz, from 50 A fuse rating to 35 A
 Black wire: connect to L1 (hot)
 Red wire: connect to L2 (hot)
 Green/Yellow wire: connect to GND (ground)

A dedicated line and junction box should be used to connect the cooktop to a 35 A circuit.

Installation

4-Wire Cable from Home Power Supply

IMPORTANT: Use the 4-wire cable from home power supply in the U.S.A. where local codes do not allow grounding through neutral, New Branch circuit installations (1996 NEC), mobile homes and recreational vehicles, new construction, and in Canada.



- A. Cable from home power supply
- B. Red wires
- C. Green (or bare) ground wire
- D. 3-wire cable (from cooktop)
- E. Junction box

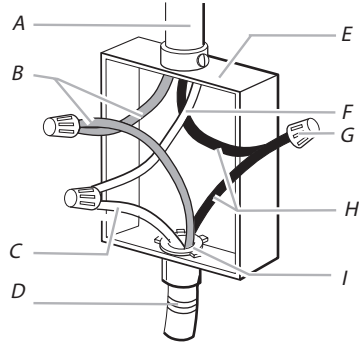
1. Connect the 2 red wires (B) together using a UL listed wire connector.
2. Connect the green (or bare) ground wire (C) from the cooktop cable to the green (or bare) ground wire (in the junction box) using a UL listed wire connector.
3. Put a UL listed wire connector on the end of the white wire (F).

NOTE: Do not connect the green (or bare) ground wire to the neutral (white) wire in the junction box.

4. Connect the 2 black wires (H) together using a UL listed wire connector.
5. Install junction box cover.

3-Wire Cable from Home Power Supply - U.S.A. Only

IMPORTANT: Use the 3-wire cable from home power supply where local codes permit a 3-wire connection.



- F. White wire (from home power supply)
- G. UL listed wire connector
- H. Black wires
- I. UL listed or CSA approved conduit connector with wire bushing

1. Connect the 2 red wires (B) together using a UL listed wire connector.
2. Connect the green (or bare) cooktop cable wire (C) to the white (neutral) wire (F) in the junction box using a UL listed wire connector.
3. Connect the 2 black wires (H) together using a UL listed wire connector.
4. Install junction box cover.

MAINTENANCE

Remove any residues of food and drops of grease from the cooking surface by using the special scraper supplied on request (Fig.7- cod. Z200355). Clean the heated area as thoroughly as possible using suitable products, and a cloth/paper towel, then rinse with water and dry with a clean cloth.

Using the special scraper (optional) immediately remove any fragments of aluminium and plastic material that have unintentionally melted on the heated cooking area, or residues of sugar or food with a high sugar content (Fig.7). In this way, any damage to the cooktop surface can be prevented.

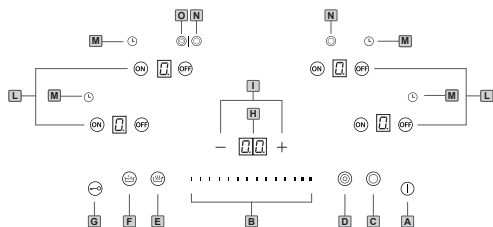
Under no circumstances should abrasive sponges, or corrosive chemical detergents, such as oven sprays or stain removers, be used.

USE

Use the touch control system in the corresponding position according to individual cooking needs.

Keep in mind that the higher the number, the more heat is produced.

TOUCH CONTROL (see Fig.8)



- A. ON/OFF button** > switch the appliance ON and OFF
- B. Cooking Zone / Slider bar** > increase or reduce power level of the cooking zone
- C. Double cooking zone** > activate the second circuit of the extendable cooking zone
- D. Triple cooking zone** > activate the third circuit of the extendable cooking zone
- E. Low Temperature key** > allow to keep a fixed value of temperature
- F. Fast Boil key** > increase power at

maximum level faster

- G. Lock key / Child lock** > activate control panel lock
- H. Display timer**
- I. Minute minder time Keys (- / +)** > increase or decrease timer value
- L. ON/OFF keys for each cooking zone** > switch the cooking zone ON and OFF
- M. Clock indicator for each cooking zone**
- N. Double cooking zone indicator**
- O. Triple cooking zone indicator**

SWITCHING ON THE HOB ①

When manufactured, the appliance will be in the safety position, i.e. control lock is active and the ① key is illuminated. In order to use the appliance the safety function must be deactivated by pressing the ① key until the indicator light switches off. Press ① key (**A zone**) for 1 sec to switch the top on. A beep sounds and all the cooking zone displays (**L zone**) show ②. The control unit remains active for 10 seconds. If within this time no cooking zone is selected, the electronic device returns automatically to the OFF position and the above described operation must be repeated to switch the cooking top on again.

SWITCHING ON THE COOKING ZONES ③

To switch on a cooking zone it is necessary to select the desired cooking zone key (**L zone**). A beep sounds and the cooking zone on led blinks. The ③ key will be locked if the key lock is activated, or if there is any cooking zone error.

SELECTING A POWER LEVEL FOR A COOKING ZONE

Once the cooking zone is selected, the power level can be selected by touching the Slider Bar (**B zone**). The selected power level is showed in the cooking zone display (**L zone**). The Slider Bar key will be locked if the key lock is activated. Once this operation has been completed you can adjust the temperature with the Slider Bar (**B zone**).

The power of the single cooking zone can be adjusted in **9** different positions and will be shown on luminous display (**L zone**)

with a number from “1 to 9”. When the power level is accepted, a beep sounds, the cooking zone on led stops blinking.

EXTENDABLE DOUBLE - TRIPLE COOKING ZONE ☉ ☉

The cooktop has extendable cooking zones that can increase the cooking area. In this way, the user can utilize pans with different diameters.

Press the ☉ or ☉ key to activate the double or the triple circuit of the cooking zone.

Then, use the Slider Bar (B zone) to adjust the power level.

To disable this function: touch the Double or the Triple cooking zone key (C or D zone) again.

RESIDUAL HEAT

If the temperature of the cooking zone is still high after it has been switched off, the relative indicator will be on (residual heat).

The signal will only switch off when the surface temperature has fallen to a safe level.

TIMER ☹

This function allows establishing the time (from 1 to 99 minutes), and can be modified at any time.

The minute minder is switched on by touching the Timer ☹ or ☹ key (I zone).

If the ☹ key is touched, a beep sounds and the timer display (H zone) shows “45”. The timer indicator display blinks to indicate the time selection status.

If ☹ key is touched, a beep sounds and the timer displays shows “00”, and the timer indicator display blinks to indicate the time selection status.

To disable the operation of the timer, select a timer value of “00”, using the ☹ key, or switch off the timer by touching the Timer ☹ and ☹ Keys simultaneously.

Select a Cooking zone minute minder:

To select a minute minder associated to a cooking zone:

- Select the desired cooking zone
- Touch the Timer ☹ or ☹ keys (I zone) to switch on the Timer; the cooking zone timed led blinks when a cooking zone minder is selected. If the cooking zone is

switched off, the corresponding cooking zone minute minder is switched off.

Select a independent minute minder:

If no cooking zone is selected, press the timer ☹ or ☹ keys (I zone) to select the independent minute minder.

The independent minute minder can be selected even if the cooktop is off: touching the timer ☹ or ☹ key to switch on the timer. The timer on led blinks when the independent minute minder is selected. If the cooktop is off, the independent minute minder is not switched off.

Minute Minder Time Visualization:

If more than one minute minder is selected, then the timer displays show the count down of the timer whose remaining time is the lowest. The active minute minder led blinks. If no cooking zone is selected, touch the timer ☹ or ☹ key to change the independent minute minder time. The timer display (H zone) shows the selected time, and the timer led blinks. If a timed cooking zone is selected, the timer display show the selected timer time, and the timed cooking zone led blinks (M zone).

Selecting/changing the time:

If the ☹ or ☹ keys associated with the timer is held down, the value increases/ decreases automatically. After 10 increase/ decrease increment/decrement increases in speed. This makes possible to reach the desired timer setting more quickly. The led light timer blinks indicating the time selection status. The selection time is confirmed 5 seconds after the last touch over the timer ☹ or ☹ keys. When the selection time finishes, a beep sounds to indicate that the countdown has initiated.

Starting the timer countdown:


If no key is touched in 5 seconds after the last operation over the timer ☹ or ☹ key, the timer selection will switch off. In this 5 sec, if any cooking zone is selected the timer selection will switched on and the timer will be switched on.


Timer elapsed:

When timer elapses, a “Cycle Finish

tone” will be sound. When the time set on the timer has run out, a “Cycle Finish tone” sounds for 1 minute, and the timer display (**H zone**) blinks the indication “00” until any of the user interface keys is touched.

CONTROL PANEL LOCK

It is possible to block the controls to prevent the risk of unintentional modification of the settings (children, cleaning etc.). By touching the  key (**G key**) for 2 seconds. If the key lock indicator is on, the keyboard is locked. This function can be activated when the cooking zones are ON or when the cooktop is OFF. If the cooktop is on, this Lock function locks all the keys except the cooking zone OFF keys, the ON/OFF key (of the entire cooktop) and the key lock indicator. Otherwise, when the cooktop is off, the key lock function locks all the keys, including the general ON/OFF key.


The key-lock is always activated at the start up of the control. Then from the second start this will no longer happen. To disable this function is necessary touching the  key (**G key**) for 2 seconds.


LOW TEMPERATURE FUNCTION

The “LOW TEMP” function allows us to keep the temperature at a fixed value. It is used to keep food warm. Therefore the cooking zone works with one low power.

The temperature values are for:

- Melting (Dissolving)
- Warming (keep warm) keep at temperature constant food
- Simmering (Simmer) cook just below the point of boiling.


To activate this function: after a cooking zone has been selected, touch the *Low Temperature key*  (**E key**). A beep sounds and the cooking zone display shows the selected power level and an “L” alternating.


To disable this function: after a cooking zone has been selected, touch the *Low Temperature key*  (**E key**). A beep sounds and the cooking zone display shows the selected power level and

an “L” alternating. This function can be enabled/disabled before or after selecting the power level and when the heater is on or off.



FAST BOIL FUNCTION

This activity makes it possible to use the hob’s maximum power (for example to bring water to the boil very quickly).

To activate this function: after a cooking zone has been selected, touch the *Fast Boil key*  (**F key**). A beep sounds and the cooking zone display shows the selected power level and a “P” flashing. The cooking zone will work at maximum power level for 10 minutes. After these minutes the cooking zone will return to the selected power level.


To disable this function: after a cooking zone has been selected, touch the *Fast Boil key*  (**F key**). A beep sounds and the cooking zone display shows the selected power level and a “P” flashing.

SWITCHING OFF THE COOKING ZONES

To switch a cooking zone off, touch  key of the relative zone. A beep sounds, the cooking zone display shows  and the cooking zone led is switched off (if there is no residual heat).

The cooking zone selection will finish 10 second after the last key is touched (Slider, Fast Boil, Low Temp, etc...).

SWITCHING OFF THE HOB

To turn off the appliance entirely hold down the  key.

OVERFLOW SECURITY

In case of liquid spills on the cooking hob (for example water or other liquids) that might prevent the command from working properly, the cooking zones will automatically shut down. In all the hob displays an “FC” error message will show together with a beep sound. To return to the normal operation, you will have to clean up the cooking hob, by removing the spilled liquid, shut the appliance down and then reactivate it.

SAFETY SWITCH

The appliance has a safety switch that automatically switches off the cooking zones when they have been operating for a certain amount of time at a given power level.

POWER LEVEL	Max. time on (hours)
1	10
2	10
3	10
4	10
5	10
6	10
7	10
8	10
9	3

DISPOSAL OF OLD ELECTRICAL APPLIANCES



The European Directive 2002/96/EC on Waste Electrical and Electronic Equipment (WEEE), requires that old household electrical appliances must not be disposed of in the normal unsorted municipal waste stream. Old appliances must be collected separately in order to optimise the recovery and recycling of the materials they contain and reduce the impact on human health and the environment. The crossed-out dustbin symbol on the product reminds you of your obligation regarding separated waste collection. Consumers should contact their local public service or their local dealer for more information on the correct disposal of exhausted household appliances.

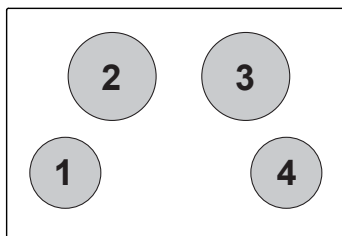
THE MANUFACTURER DECLINES ALL RESPONSIBILITY FOR EVENTUAL DAMAGES CAUSED BY NOT COMPLYING WITH THE ABOVE WARNINGS.

THE WARRANTY IS NOT VALID IN THE CASE OF DAMAGE CAUSED BY FAILURE TO COMPLY WITH THE ABOVE-MENTIONED WARNINGS.

Information for household electric hobs

In acc. with regulation (EU) No. 66/2014

Model name / identifier					
Type of hob	built-in				
Number of cooking zones and/or areas	4				
Heating technology Cooking zones and cooking areas, radiant cooking zones.	1. = Hi-light 2. = Hi-light 3. = Hi-light 4. = Hi-light				
For circular cooking zones: diameter of useful surface area/ cooking zone For non-circular cooking zones or areas: length and width of useful surface area per electric cooking zone or area	1. = Ø 146 mm 2. = Ø 211 mm 3. = Ø 181 mm 4. = Ø 146 mm		1. = Ø 5,74° 2. = Ø 8,30° 3. = Ø 7,12° 4. = Ø 5,74°		
Energy consumption per cooking zone or area calculated per kg (EC _{electric cooking})	Wh/kg	1. = 186 2. = 187,3 3. = 186 4. = 190,2			
Energy consumption for the hob calculated per kg (EC _{electric hob})	Wh/kg	187			



ERRORS

Event (Visualization Priority Order)	Description	Action	End	Heater Display	All heater Display
FalloKeyOnOffEmitter	Security Key Error	App Off (*)		FA
FalloKeyOnOffReceiver	Security Key Error	App Off (*)		FC
FalloNtcShort	Touch NTc Error	App Off (*)		FE
FalloNtcOpen	Touch NTc Error	App Off (*)		Ft
FalloOverTemp	Touch NTc > 105°C	App Off (*)	T < 95°C		Fc
FalloRelay	Touch Relay Failure	App Off (*)		Fr
FalloEepromChecksum	Eeprom Checksum Error	App Off (*)		FH
FalloAdc	Security Key Error	App Off (*)		FJ
FalloSw	Software Error	App Off (*)		F0
FalloAmbientLight	Keyboard Error	App Off (*)	Light condition		FL
FalloDivisor	Security Key Error	App Off (*)		FU
FalloTestLedOnOff	OnOff Led Error	App Off (*)		Fd
FalloTetGroupSelection	Keyboard Error	App Off (*)		Fb
FalloComunicaciones	Communication Error	I.H. Off(****)	Comm. OK	F5	
FalloFanNoRun	Fan Error	I.H. Off(****)	Serial Comm.	FP	

(*) All heaters switched Off and locked

SERVICE CLIENTÈLE

Pour toute information sur la garantie et demande de service, contactez-nous:



Aux États-Unis :
Au Canada:

<https://us.bertazzoni.com/more/support>
<https://ca.bertazzoni.com/more/support>

CALIFORNIA PROPOSITION 65



AVERTISSEMENT: Cancer et Troubles de l'appareil reproducteur -
www.P65Warnings.ca.gov.

3071108

CARACTÉRISTIQUES GÉNÉRALES

Lire attentivement le contenu du présent livret, étant donné qu'il fournit d'importantes indications concernant la sécurité d'installation, d'utilisation et d'entretien. Conserver le livret pour toute consultation ultérieure. Toutes les opérations concernant l'installation (et le câblage électrique) doivent être effectuées par le Personnel Qualifié Conformément à Tous les Codes & Normes Applicables en Vigueur.

CONSIGNES POUR LA SÉCURITÉ

Il est préférable d'utiliser des récipients au fond plat ayant un diamètre égal ou légèrement supérieur à celui de la surface chauffée. N'utilisez pas des récipients ayant le fond rugueux afin d'éviter d'égratigner la plaque chauffante de la surface de cuisson (Fig.6).

Cet appareil ne convient pas aux enfants et aux personnes nécessitant d'une supervision.

IMPORTANT

- éviter les débordements de liquide, ainsi pour faire bouillir ou chauffer des liquides, réduire l'alimentation de chaleur;
- ne pas laisser les plaques chauffantes allumées sans récipients ou avec des récipients vides;
- après avoir terminé de cuisiner, éteindre la résistance correspondante au moyen de la commande indiquée ci après.

!! ATTENTION !!

Si la surface est fêlée, éteindre l'appareil et déconnecter l'alimentation électrique pour éviter d'éventuelles décharges.

INSTRUCTIONS POUR L'INSTALLATION

Les instructions suivantes s'adressent à un installateur spécialisé et servent de guide pour l'installation, le réglage et l'entretien en conformité avec les lois et les normes en vigueur. Si un four encastrable ou n'importe quel autre appareil produisant de la chaleur doit être directement monté sous la surface

de cuisson en vitrocéramique, **IL EST NÉCESSAIRE QUE CET APPAREIL (four) ET LA SURFACE DE CUISSON EN VITROCÉRAMIQUE SOIENT CONVENABLEMENT ISOLÉS.** Le manque de respect de cette précaution pourrait déterminer le fonctionnement erroné du système TOUCH CONTROL.

POSITIONNEMENT

Cet appareil électroménager est réalisé pour être encastré dans un plan de travail, comme l'indique la Fig.1. Appliquer le matériel collant tout le long du périmètre Fig.4 (dimensions de la coupe Fig.1).

Cette opération est nécessaire afin d'éviter que d'éventuels liquides ne pénètrent à l'intérieur du plan, puisqu'il n'est pas possible de garantir la planéité du plan de travail et du verre ainsi que leur assemblage. Bloquer l'appareil électroménager sur le plan de travail au moyen des 4 appuis, compte tenu de l'épaisseur du plan de travail (Fig.2).

Si la partie inférieure de l'appareil, après l'installation, est accessible du côté inférieur du meuble, il faut monter un panneau de séparation en veillant de respecter les distances indiquées (Fig.3). Ceci n'est pas nécessaire si l'installation se fait sous un four.

CÂBLAGE ÉLECTRIQUE (Fig.5)

Consignes de sécurité électrique

- Tous les travaux électriques doivent être effectués par une personne qualifiée et compétente, conformément aux réglementations nationales en vigueur en matière de sécurité. L'installation et toute réparation ou tout travail effectué par un personnel non qualifié peuvent être dangereux. Le fabricant décline toute responsabilité pour les conséquences découlant de travaux non autorisés.

- Le câble endommagé doit être remplacé par un électricien qualifié par un câble de connexion du même type que l'original fourni avec la table de cuisson.

- Assurez-vous que l'appareil n'est pas branché au réseau électrique avant l'achèvement de l'installation ou lors d'éventuels entretiens. Utilisez l'appareil seulement après son encastrement afin

d'assurer que tous ses composants électriques sont protégés. Les composants en tension ne doivent pas être exposés.

- Ne branchez jamais l'appareil au réseau électrique avec des rallonges du moment que ceux-ci n'assurent pas la sécurité nécessaire de l'appareil.

- Le branchement électrique doit prévoir un sectionneur conforme aux normes locales et nationales. La touche On/Off doit être facilement accessible après l'encastrement de l'appareil. Si l'interrupteur n'est pas accessible après son installation (selon le pays), il faut installer un dispositif supplémentaire de déconnexion pour tous les pôles.

- Pour plus de sécurité, veuillez brancher votre appareil à un interrupteur différentiel (RCD). Contactez un électricien qualifié pour tout renseignement supplémentaire. Lorsqu'éteint, l'ouverture des contacts de l'interrupteur entre chaque pôle doit être de 3 mm [0,11"] minimum (y compris l'interrupteur, les fusibles et le relais).

ATTENTION ! LA MISE À LA TERRE EST REQUISE PAR LA LOI

La sécurité électrique de cet appareil est garantie uniquement quand il est correctement branché à une installation de mise à la terre efficace, comme le stipulent les normes de sécurité électrique en vigueur. Assurez-vous que ce dispositif de sécurité est bien installé et régulièrement contrôlé; en cas de doute, faites vérifier l'installation électrique par un électricien qualifié. Le fabricant décline toute responsabilité pour tout dommage direct ou indirect découlant d'une mauvaise installation ou mauvais branchement.

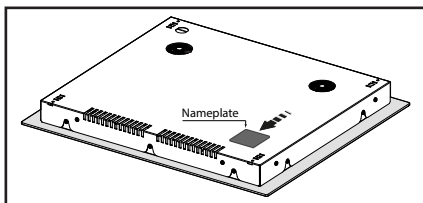
AVERTISSEMENT!



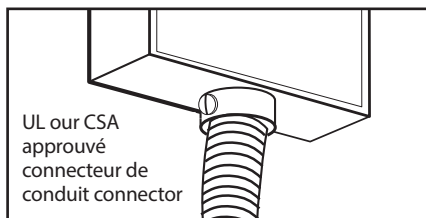
Risque de choc électrique
Déconnecter la source de courant électrique avant l'entretien.
Utiliser du fil en cuivre de calibre 10.
Relier la table de cuisson à la terre.
Le non-respect de ces instructions peut causer un décès, un incendie ou un choc électrique.

Connexion électrique

La table de cuisson est équipée d'un conduit métallique flexible enrobant 3 fils prêt à être raccordé à une prise de courant mise à la terre.



1. Déconnecter la source de courant électrique.
2. Le cas échéant, enlever le couvercle du boîtier de connexion.
3. Avec le connecteur de conduit (homologation UL ou CSA), connecter le conduit de câble flexible de la table de cuisson au boîtier de connexion.
4. Serrer les vis du connecteur de conduit, le cas échéant.
5. Voir page suivante pour terminer l'installation correspondant à votre type de raccordement électrique.



UL ou CSA
approuvé
connecteur de
conduit connector

208/240 V, 60 Hz, de 50 A à 35 A de capacité de fusible.

Fil noir: branché à L1 (sous tension)

Fil rouge: branché à L2 (sous tension)

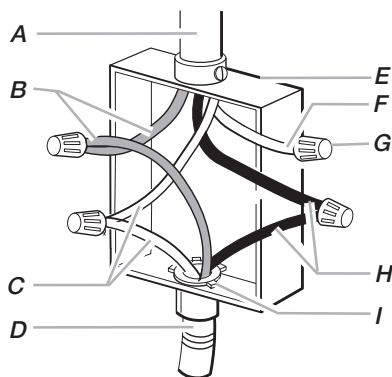
Fil vert/jaune: branché à GND (mise à la terre)

La plaque de cuisson devrait avoir sa propre ligne électrique branchée à sa boîte de jonction sur un circuit de 35 ampères. (voir Fig.5)

Installation

Câble à 4 conducteurs depuis le point de distribution du domicile

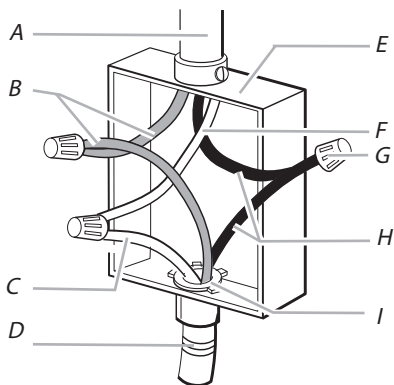
IMPORTANT: Utiliser le câble à 4 conducteurs provenant du point de distribution du domicile aux États-Unis lorsque les codes ne permettent pas la mise à la terre par l'intermédiaire du conducteur neutre, en cas de nouvelle installation avec alimentation par un circuit secondaire (1996 NEC), dans les résidences mobiles et les véhicules récréatifs, dans les nouvelles constructions, et au Canada.



- A. Câble depuis le point de distribution du domicile
- B. Conducteurs rouges
- C. Conducteurs verts (ou nus) de liaison à la terre
- D. Câble à 3 conducteurs depuis la table de cuisson
- E. Boîtier de connexion

Câble à 3 conducteurs depuis le point de distribution du domicile - É.-U. seulement

IMPORTANT: Utiliser le câble à 3 conducteurs depuis le point de distribution du domicile lorsque les codes locaux autorisent un tel raccordement.



- F. Conducteur blanc (depuis le point de distribution du domicile)
- G. Connecteur de fils (homologation UL)
- H. Conducteurs noirs
- I. Connecteur de conduit (homologation UL ou CSA) avec passe-fils

1. Connecter ensemble les 2 conducteurs rouges (B) avec un connecteur de fils (homologation UL).

2. Connecter le conducteur vert (ou nu) de liaison à la terre (C) du câble de la table de cuisson au conducteur vert (ou nu) de liaison à la terre dans le boîtier de connexion - utiliser un connecteur de fils (homologation UL).

3. Placer un connecteur de fils (homologation UL) à l'extrémité du conducteur blanc (F).

REMARQUE: Ne pas connecter le conducteur vert (ou nu) de liaison à la terre au conducteur neutre (blanc) dans le boîtier de connexion.

4. Connecter ensemble les 2 conducteurs noirs (H) avec un connecteur de fils (homologation UL).

5. Installer le couvercle du boîtier de connexion.

1. Connecter ensemble les 2 conducteurs rouges (B) avec un connecteur de fils (homologation UL).

2. Connecter le conducteur vert ou nu de la table de cuisson (C) au conducteur blanc (neutre) (F) dans le boîtier de connexion avec un connecteur de fils (homologation UL).

3. Connecter ensemble les 2 conducteurs noirs (H) avec un connecteur de fils (homologation UL).

4. Installer le couvercle du boîtier de connexion.

UTILISATION ET ENTRETIEN

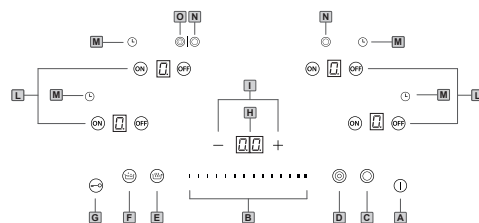
ENTRETIEN

Éliminer tous résidus de nourriture éventuels ainsi que les gouttes de graisse de la surface de cuisson à l'aide du racloir spécial fourni sur demande (Fig.7- cod. Z200355). Nettoyer le mieux possible la surface chauffée avec des produits appropriés et un chiffon papier, ensuite rincer avec de l'eau et essuyer avec un chiffon bien propre. Au moyen du racloir (en option) éliminer immédiatement de la surface de cuisson chauffée les fragments de feuilles d'aluminium et de matière plastique qui ont fondu par mégarde ou les résidus de sucre ou d'aliment ayant un contenu de sucre élevé (Fig.7). N'utiliser en aucun cas des éponges abrasives ou des détergents chimiques irritants tels que spray pour four ou dégraisseurs.

MODE D'EMPLOI

Utiliser le système **Touch Control** relatif à la position correspondant aux exigences de cuisson, en tenant compte que plus grand est le nombre et plus importante sera la température dégagée.

COMMANDE TACTILE (Fig.8)




- A. Touche MARCHÉ/ARRÊT** > allumer et éteindre l'appareil
- B. Zone de cuisson / Barre de défilement** > augmenter ou réduire le niveau de puissance de la zone de cuisson
- C. Double zone de cuisson** > activer le second circuit de la zone de cuisson extensible
- D. Triple zone de cuisson** > activer le troisième circuit de la zone de cuisson

extensible

- E. **Touche basse température** > garder une valeur fixe de température
- F. **Fonction d'ébullition rapide** > augmentation de puissance rapide
- G. **Touche de verrouillage / sécurité enfants** > activer le verrouillage des commandes
- H. **Horloge d'affichage**
- I. **Touche minuterie (+/-)** > ajuster la valeur de la minuterie
- L. **Touche MARCHÉ/ARRÊT pour chaque zone de cuisson** > allumer et éteindre la zone de cuisson
- M. **Horloge LED pour chaque zone de cuisson**
- N. **LED Double zone de cuisson**
- O. **LED Triple zone de cuisson**

ALLUMER LA PLAQUE DE CUISSON ①

Lors de la mise en marche, l'appareil sera en position de sécurité, ① à-d. le verrouillage est actif et la touche est allumée. Pour utiliser l'appareil la fonction de sécurité doit être désactivée en appuyant sur la touche jusqu'à ce que le voyant lumineux s'éteigne. Appuyez sur la touche ① (**zone A**) 1 seconde pour allumer la plaque. Un signal sonore sera émis et tous les écrans de chaque zone de cuisson (**zone L**) afficheront . L'unité de commande reste active pendant 10 seconds. Si, dans ce délai, aucune zone de cuisson a été sélectionnée, l'appareil électronique s'éteindra automatiquement et l'opération décrite ci-dessus doit être répété pour rallumer la plaque de cuisson.

ALLUMER LES ZONES DE CUISSON ②

Pour allumer une zone de cuisson il faut sélectionner la touche de la zone de cuisson souhaitée ② (**zone L**). Un signal sonore sera émis et la zone de cuisson clignotera. La touche ② sera verrouillée si la touche de verrouillage est activée, ou en cas des erreurs avec une zone de cuisson.

SÉLECTIONNER UN NIVEAU DE PUISSANCE POUR CHAQUE ZONE DE CUISSON

Après avoir sélectionné la zone de cuisson, le niveau de puissance peut

être sélectionné en appuyant sur la barre de défilement (**zone B**). Le niveau de puissance sélectionné est affiché dans l'écran de la zone de cuisson (**zone L**). La touche de barre de défilement sera bloquée si la touche de verrouillage est activée. Après avoir complété cette opération vous pourrez régler la température avec la barre de défilement (**zone B**). La puissance de chaque zone de cuisson peut être réglée en 9 positions différents et affichée sur l'affichage lumineux (**zone L**) avec un numéro « de 1 à 9 ». Quand le niveau de puissance est accepté un signal sonore sera émis, la zone de cuisson en LED cesse de clignoter.

DOUBLE - TRIPLE ZONE DE CUISSON EXTENSIBLE

Dans cette plaque de cuisson il y a une fonction qui permet à une zone de cuisson de se transformer en second circuit (**zone C**) et tripe circuit (**zone D**).

De cette façon, l'utilisateur peut se servir des casseroles de différent diamètre. Appuyez la touche pour activer le second ou triple circuit de la zone de cuisson.



Ensuite, vous pourrez utiliser la barre de défilement (**zone B**) pour réguler le niveau de puissance.


Pour désactiver cette fonction : appuyez encore sur la touche Double ou Triple zone de cuisson (**zone C ou D**).

CHALEUR RÉSIDUELLE

Si la température de la zone de cuisson est encore chaude après l'avoir éteinte, la lumière LED correspondante sera sur (chaleur résiduelle). Le signal s'éteindra juste quand le risque de brulure ne sera plus présent.

TIMER

Cette fonction permet de régler le temps (de 1 à 99 minutes) et il peut être modifié à tout moment. Vous pouvez allumer la minuterie en appuyant les touches + ou - (**zone I**). Si vous appuyez sur la touche +, un signal sonore sera émis et l'écran de la minuterie (**H zone**) affichera « 45 ». La lumière LED de l'afficheur se mettra à clignoter en indiquant la valeur définie. Si vous appuyez sur la touche -, un signal sonore sera émis et l'écran de la minuterie affichera   .

La lumière LED de l'afficheur se mettra à clignoter en indiquant la valeur définie. Pour annuler la minuterie, il faut sélectionner la valeur , en appuyant sur la touche ⊕, ou éteindre la minuterie en appuyant sur les touches ⊕ et ⊖ simultanément.

Sélectionner la minuterie de chauffage :


Pour sélectionner la minuterie associée à la zone de cuisson, vous devriez :

- Sélectionner la zone de cuisson souhaitée
- Appuyer sur les touches ⊕ ou ⊖ (**zone I**) pour allumer la minuterie ; la lumière LED de la zone de cuisson se mettra à clignoter quand ça sera sélectionnée. Si la zone de cuisson est éteinte, la minuterie correspondante sera éteinte aussi.

Sélectionner la indépendante minuterie de chauffage :

Si aucune zone de cuisson est sélectionnée, appuyer sur les touches ⊕ ou ⊖ de la minuterie (**zone I**) pour sélectionner la minuterie indépendante. Vous pouvez sélectionner la minuterie indépendante même si la plaque de cuisson est éteinte : appuyer sur les touches ⊕ ou ⊖ pour allumer la minuterie. La minuterie en LED se mettra à clignoter quand la minuterie indépendante n'est pas éteinte.

Visualisation de la minuterie:

Si vous avez sélectionné plus d'une minuterie, l'écran affichera  et le compte à rebours inférieur. Le LED de la minuterie active se mettra à clignoter. S'il n'y a aucune zone de cuisson sélectionnée, appuyez sur les touches ⊕ ou ⊖ pour changer la minuterie indépendante. L'écran de la minuterie (**zone H**) affichera le temps sélectionné, et le LED se mettra à clignoter. Si la zone de cuisson programmée est sélectionnée, l'écran de la minuterie affichera le temps sélectionné, et la zone de cuisson programmée se mettra à clignoter (**zone L**).

Sélectionner / modifier la minuterie:

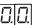
Si maintenez les touches ou associées à la minuterie, la valeur augmente et diminue automatiquement. Après la valeur 10 l'augmentation/diminution va plus rapidement. Ça permet d'atteindre les paramètres de la minuterie souhaités plus rapidement. Le LED de la minuterie se

mettra à clignoter en indiquant la valeur sélectionnée. Ça sera confirmée 5 seconds après la dernière touche sur les touches ⊕ ou ⊖. Quand vous avez terminé de sélectionner la minuterie, un signal sonore sera émis pour indiquer que le compte à rebours commence.

Commencer le compte à rebours:

Si vous n'appuyez pas aucune touche pendant 5 secondes après la dernière opération sur les touches ⊕ ou ⊖ de la minuterie, ça sera annulée. Si vous appuyez sur une zone de cuisson ou sur une touche le réglage s'éteindra et la minuterie se mettra en marche.

Temporisateur écoulé:

Quand la minuterie s'écoule, un « signal de fin de cycle » sera émis. Quand le temps défini sur la minuterie s'épuise, un « signal de fin de cycle » est émis pendant 1 minute, et l'affichage de la minuterie (**zone H**) se mettra à clignoter en indiquant jusqu'à la touche d'autre commande. 

VERROUILLAGE DES COMANDES




Il est possible de bloquer les commandes pour prévenir le risque des modifications involontaires des réglage (enfants, nettoyage etc.). En appuyant sur la touche  (**touche G**) pendant 2 seconds. Si la lumière LED associée à la touche de verrouillage est allumée, le clavier est verrouillé. Cette fonction peut être activée quand la zone de cuisson est en marche ou quand la plaque de cuisson est éteinte. Si la plaque de cuisson est en marche, la fonction verrouillage s'applique à toutes les touches, sauf la touche de la zone de cuisson éteinte, les touches MARCHE/ARRÊT (de l'entier plaque) et le même verrouillage du clavier. Autrement, quand la plaque est éteinte, la fonction de verrouillage de touche bloque toutes les touches, même celle de MARCHE/ARRÊT. Le verrouillage de touche s'active toujours au démarrage des commandes.


FONCTION DE BASSE TEMPÉRATURE

La fonction de « basse température » permet de maintenir la température à une valeur fixe. C'est utilisé pour maintenir chaud

un aliment cuit. Par conséquent, la zone de cuisson marche avec une faible puissance. Les valeurs de température sont pour :



- Fondre (dissoudre)
- Réchauffer (maintenir chaud) conserver l'aliment à une température constante
- Faire mijoter (faire mijoter) cuisiner juste en dessous du point d'ébullition.

Pour activer cette fonction : après avoir sélectionné une zone de cuisson, appuyer sur la touche Basse température  (**E key**). Un signal sera émis et l'écran correspondant la zone de cuisson affichera le niveau de puissance sélectionné et une « L » en les alternant.

Pour désactiver cette fonction : après avoir sélectionné une zone de cuisson, appuyer sur la touche Basse température  (**E key**). Un signal sera émis et l'écran correspondant la zone de cuisson affichera le niveau de puissance sélectionné et une « L » en les alternant. Cette fonction peut être activée/désactivée avant ou après avoir sélectionné le niveau de puissance et quand la chaleur est en marche ou arrêt.


FONCTION ÉBULLITION RAPIDE

Cette activité permet d'exploiter la puissance maximale de la plaque de cuisson (par Exemple d'augmenter de manière considérable la puissance du foyer en un minimum de temps).


Pour activer cette fonction : après avoir sélectionné une zone de cuisson, appuyer la touche ébullition rapide  (**F key**). Un signal sera émis et l'écran correspondant la zone de cuisson affichera le niveau de puissance sélectionné et une « P » en les alternant. La zone de cuisson marchera à un niveau de puissance maximal pendant 10 minutes. Ensuite, la zone de cuisson reviendra sur le niveau de puissance sélectionné. Pour désactiver cette fonction : après avoir sélectionné une zone de cuisson, appuyer sur la touche ébullition rapide  (**F key**). Un signal sera émis et l'écran correspondant la zone de cuisson affichera le niveau de puissance sélectionné et une « P » en les alternant.

ÉTEINDRE LES ZONES DE CUISSON

Pour éteindre une zone de cuisson, appuyez la touche  de la zone de cuisson

correspondante. Un signal sera émis et l'écran correspondant la zone de cuisson affichera  et le LED de la zone de cuisson s'éteindra (s'il n'y a pas chaleur résiduelle). La sélection de la zone de cuisson terminera après 10 seconds après la dernière touche (Barre de défilement, ébullition rapide, Basse Température, etc...).

ÉTEINDRE LA PLAQUE DE CUISSON

Pour éteindre l'appareil entier maintenez appuyé la touche .

DÉBORDEMENT DE LIQUIDE

En cas de débordements de liquides sur la plaque de cuisson (par Exemple de l'eau ou d'autres liquides) que puissent empêcher le control de marcher correctement, les zones de cuisson s'éteindront automatiquement. Tous les écrans de la plaque afficheront le message d'erreur « FC » avec un signal acoustique. Pour retourner au normal fonctionnement, vous devrez nettoyer la plaque de cuisson, en éliminant le liquide débordé, éteindre l'appareil et le réactiver.

INTERRUPTEUR DE SÉCURITÉ

L'appareil dispose d'un interrupteur de sécurité qui étend automatiquement les zones de cuisson quand elles sont en

NIVEAU DE PUISSANCE	Temps maximum en (heures)
1	10
2	10
3	10
4	10
5	10
6	10
7	10
8	10
9	3

ENLÈVEMENT DES APPAREILS MÉNAGERS USAGÉS



La Directive Européenne 2002/96/EC sur les Déchets des Equipements Electriques et Electroniques (DEEE), exige que les appareils ménagers usagés ne soient pas jetés dans le

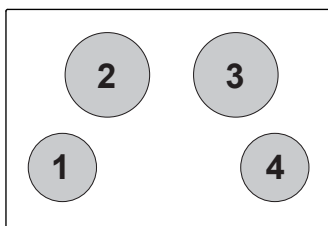
flux normal des déchets municipaux. Les appareils usagés doivent être collectés séparément afin d'optimiser le taux de récupération et le recyclage des matériaux qui les composent et réduire l'impact sur la santé humaine et l'environnement. Le symbole de la "poubelle barrée" est apposée sur tous les produits pour rappeler les obligations de collecte séparée. Les consommateurs devront contacter les autorités locales ou leur revendeur concernant la démarche à suivre pour l'enlèvement de leur vieil appareil.

TOUTE RESPONSABILITÉ EST DÉCLINÉE POUR LES ÉVENTUELS DÉGATS PROVOQUÉS PAR L'INOBSERVATION DES SUSDITES INSTRUCTIONS. LA GARANTIE N'EST PAS VALABLE EN CAS DE DOMMAGES PROVOQUÉS PAR LE NON RESPECT DES MISES EN GARDE CITEES CI-DESSUS.

Informations relatives aux tables de cuisson électriques domestiques

selon règlement (UE) N°66/2014

Identification du modèle					
Type de table de cuisson		encastré			
Nombre de foyers et/ou zones de cuisson		4			
Technique de chauffe Foyers et zones, foyers vitrocéramiques.		1. = Hi-light 2. = Hi-light 3. = Hi-light 4. = Hi-light			
Pour les foyers en forme de cercle : diamètre de lasurface/ du foyer utile Pour les foyers/zones qui ne sont pas en forme de cercle : longueur et largeur de la surface/ du foyer utile L/W		1. = Ø 146 2. = Ø 211 3. = Ø 181 4. = Ø 146	1. = Ø 5,74" 2. = Ø 8,30" 3. = Ø 7,12" 4. = Ø 5,74"		
Consommation d'énergie par foyer ou zone de cuisson par kg (EC _{cuisson électrique})	Wh/kg	1. = 186 2. = 187,3 3. = 186 4. = 190,2			
Consommation d'énergie de la table de cuisson par kg (EC _{plaque électrique})	Wh/kg	187			



LABEL
MODEL + SERIAL NUMBER

