

Operating and Installation Instructions Heat-Pump Dryer



Always read the operating instructions before setting up, installing, and commissioning the appliance. This prevents both personal injury and damage to the appliance.

Contents

Caring for the environment	7
IMPORTANT SAFETY INSTRUCTIONS	8
Operating the tumble dryer	16
Control panel.....	16
Sensor controls and touch display with sensor controls.....	17
Main menu	17
Examples of how to operate the appliance	18
Operating a laundromat machine	20
Initial commissioning	22
Switching on the tumble dryer	22
Reference to external appliances.....	23
Setting the display brightness	23
Setting the date	23
Selecting program packages.....	24
Completing the commissioning process	26
1. Notes on correct laundry care	27
Washing	27
Drying.....	27
Understanding the care-label symbols	27
2. Loading the tumble dryer	28
Checking the socket for the fragrance flacon	28
3. Selecting a program	29
Switching on the tumble dryer	29
Selecting a program	29
4. Selecting program settings	30
Main menu for a program.....	30
Selecting the drying level.....	30
Selecting the duration (timed programs)	30
Selecting extra options	31
Gentle.....	31
Anti-crease	31
5. Starting a program	32
6. End of program – removing the laundry	33
End of program	33
Removing the laundry	33
Observing the care notes.....	33

Timer	34
Program chart	35
Label	35
Program packages	36
Standard	36
Sport.....	40
Soft furnishings.....	41
Hygiene	42
WetCare.....	43
Flatwork	43
Special programs.....	44
Changing the program sequence	45
Changing a program once it has started	45
Canceling a program	45
Reselecting a canceled program	45
Adding laundry	45
Fragrance flacon	46
Inserting a fragrance flacon	46
Opening the fragrance flacon	48
Closing the fragrance flacon	48
Removing/replacing the fragrance flacon.....	49
Cleaning and care	50
When to clean.....	50
1. Cleaning the lint filters	50
2. Cleaning the toe-kick filter	51
3. Cleaning the bottom-right grille/heat exchanger for heat dissipation.....	52
Cleaning the lint filters.....	53
Removing the fragrance flacon	53
Removing visible lint.....	53
Cleaning the lint filters and air-flow openings thoroughly	54
Cleaning the toe-kick filter	56
Removing the lint filter	56
Cleaning the lint filters with water	57
Replacing the toe-kick filter.....	58
Cleaning the filter insert (in the toe-kick)	60
Removing the filter insert	60
Checking the cooling fins on the heat exchanger	61
Reinstalling the filter insert (in the toe-kick).....	62
Reinstalling the lint filter (in the toe-kick)	62
Cleaning and closing the lint-filter flap.....	63

Contents

Cleaning the bottom-right grille/heat exchanger	63
Removing the grille	64
Cleaning the cooling fins	65
Replacing the grille	65
Cleaning the tumble dryer.....	66
Frequently asked questions.....	67
Program cancellation and fault message in the display.....	67
Messages in the display	70
Unsatisfactory drying results.....	71
The drying-cycle duration is very long	72
General problems with the tumble dryer.....	73
Reactivating the plinth filter.....	74
Customer Service	75
Contact in the event of a fault	75
Optional accessories	75
IMPORTANT SAFETY INSTRUCTIONS.....	77
Installation and connection	79
Front view	79
Rear view	80
Installation locations.....	81
Side view.....	81
Steel toe-kick.....	81
View from above	81
Washer-dryer stack	81
Transporting the tumble dryer to its installation site	83
Installation.....	84
Downtime after installation.....	84
Leveling the tumble dryer	84
Room ventilation.....	85
External control equipment	85
Drain hose for condensed water	86
Inserting the drain hose into a standpipe.....	86
Electrical connection	87
Technical data	88
Supervisor level.....	89
Opening the supervisor level	89
Access via code	89
Change code	89
Demo program.....	89

Closing the settings menu	89
Controls / Display.....	89
Language	89
Language entry.....	90
Set languages	90
Display brightness	90
Clock display	91
Date	91
Volume	91
Res. moisture display.....	91
Visibility parameters.....	91
Display off status.....	92
Machine off status.....	92
Delay start	92
Memory.....	93
Temperature unit.....	93
Weight unit	93
Logo	93
Supervisor code	93
Program selection	94
Controls.....	94
Program packages	95
Favorite programs.....	95
Special programs	96
Sort programs	98
Program color allocation.....	98
Process technology.....	98
Anti-crease	98
Drying levels	98
Service	99
Clean out the airways.....	99
Service interval.....	99
External applications.....	100
Peak load signal	100
Peak load prevention.....	100
Select KOM module.....	100
Availability of Miele digital products	100
WiFi / LAN	101
Network time.....	102
Remote.....	102
Remote Update.....	102
SmartGrid	103

Contents

Machine parameters.....	103
Legal Information.....	103
Payment system.....	103
Setting for payment systems.....	103
Feedback sig. to pay system.....	104
Payment system lock.....	105
Clear paid signal.....	105
Debounce time.....	105
Pay system override time.....	105
Duration Cool air.....	106
Duration Warm air.....	106
FOC programs.....	106

Disposal of the packing material

The cardboard box and packing materials protect the appliance during shipping. They have been designed to be biodegradable and recyclable.

Ensure that any plastic wrappings, bags, etc. are disposed of safely and kept out of the reach of children. Danger of suffocation!

Disposal of your old appliance

Electrical and electronic appliances contain valuable materials. They also contain certain substances, compounds and components which were essential for the proper functioning and safe use of the equipment. Handling these materials improperly by disposing of them in your household waste can be harmful to your health and the environment. Therefore, please do not dispose of your old appliance with regular household waste and follow local regulations on proper disposal.



Consult with local authorities, dealers or Miele in order to dispose of and recycle electrical and electronic appliances. Miele assumes no responsibility for deleting any personal data left on the appliance being disposed. Please ensure that your old appliance is kept away from children until removal. Observe safety requirements for appliances that may tip over or pose an entrapment hazard.

IMPORTANT SAFETY INSTRUCTIONS

WARNING

To reduce the risk of fire, electric shock, or injury to persons when using your appliance, follow basic precautions, including the following:

- ▶ It is essential to read all instructions before using the appliance.
- ▶ Risk of Suffocation and Injury from Entrapment:
Do not allow children to play on or in the appliance. Close supervision is necessary when the appliance is used near children.
Always close the door after use to prevent child hazards.
- ▶ Before this appliance is removed for service or discarded, remove the door to the drying compartment.
- ▶ Do not install or use a dryer with visible damage.
- ▶ Do not reach into the dryer if the drum is moving.
- ▶ Do not install or store this appliance where it will be exposed to the weather.
- ▶ Do not tamper with the controls.
- ▶ Do not repair or replace any part of the appliance or attempt any servicing unless specifically recommended in these operating instructions. Repairs to electrical appliances should only be performed by qualified personnel. Incorrectly repaired machines may pose a considerable risk to the user.
- ▶ Do not use replacement parts that have not been recommended by the manufacturer (e.g. parts made at home using a 3D printer).


IMPORTANT SAFETY INSTRUCTIONS

► Important information regarding use of fabric softener sheets:
We do not recommend use of fabric softener sheets. Use of fabric softener sheets can clog the surfaces of the lint filters, extending the drying time and increasing energy consumption. During subsequent cleaning, the plastic and surfaces of the lint filters can be damaged! The best results are obtained by using liquid fabric softener in the washing machine. Follow the manufacturer's instructions.
If you still wish to use fabric softener sheets, be sure to follow the cleaning instructions under “Cleaning and care” in the “Cleaning instructions when using fabric softener sheets” section.

Tip:


Using a fragrance capsule (optional accessory) will add a pleasant fragrance to your laundry.

When a fragrance capsule is used, the fragrance is acquired by the entire load of laundry. The disadvantage of fabric softener sheets is that under certain circumstances the fragrance is acquired by only a few items of laundry, especially when drying a full load.

 When you use a fragrance capsule, always follow the warnings in this section as well as those under “Fragrance capsule”.

IMPORTANT SAFETY INSTRUCTIONS

- ▶ Do not place items exposed to cooking oils in your dryer. Items contaminated with cooking oils may contribute to a chemical reaction that could cause a load to catch fire. To reduce the risk of fire due to contaminated loads, the final part of a tumble dryer cycle occurs without heat (cool down period). Avoid stopping a tumble dryer before the end of the drying cycle unless all items are quickly removed and spread out so that the heat is dissipated.
- ▶ To prevent the risk of fire, the following textiles must not be dried in this dryer:
 - items which have not been washed.
 - items, such as work-wear, exposed to grease, oils, or other deposits (such as lotions or cosmetics) in your dryer. If these items have not been thoroughly cleaned there is a danger that they may contribute to a chemical reaction that could cause the laundry to ignite when heated even after being removed from the dryer.
 - items that have been previously cleaned, washed, soaked or spotted with gasoline, dry-cleaning solvents or other flammable or explosive substances. They may give off vapors that could ignite or explode.
 - items treated with flammable cleaning agents or items containing acetone, alcohol, gas, stain remover, wax or chemicals from buffing, etc.
 - items which have been splashed with hair spray, nail polish remover, etc.

 When washing heavily soiled items ensure that sufficient detergent is used with a high temperature. If in doubt wash the item several times.

- items containing foam rubber or similarly textured rubber-like materials.
- items with padding or filling (e.g. pillows or jackets) which have been damaged. Loose filling could catch fire.

IMPORTANT SAFETY INSTRUCTIONS

- ▶ Do not place items exposed to cooking oils in your dryer. Items contaminated with cooking oils may contribute to a chemical reaction that could cause a load to catch fire. To reduce the risk of fire due to contaminated loads, the final part of a tumble dryer cycle occurs without heat (cool down period). Avoid stopping a tumble dryer before the end of the drying cycle unless all items are quickly removed and spread out so that the heat is dissipated.
- ▶ Allow the dryer to complete each stage of the program selected, including the cooling down phase. This will ensure that the items being removed are not too hot to handle.
- ▶ Clean the lint filter before or after each load.
- ▶ Keep the area around the air intake (toe kick) and adjacent surrounding areas free from lint, dust and dirt.
- ▶ The interior of the machine should be cleaned periodically by qualified personnel.

▶ GROUNDING INSTRUCTIONS

This appliance must be grounded. In the event of malfunction or breakdown, grounding will reduce the risk of electric shock by providing a path of least resistance for electric current. This appliance is equipped with a cord having an equipment grounding conductor and a grounding plug. The plug must be plugged into an appropriate outlet that is properly installed and grounded in accordance with all local codes and ordinances.

- ▶ **WARNING** – Improper connection of the equipment-grounding conductor can result in a risk of electric shock. Contact a qualified electrician if you are in doubt as to whether the appliance is properly grounded.
- ▶ **Sharp Edges** – To reduce the risk of injury, use care when cleaning the condenser or evaporator coil fins.

IMPORTANT SAFETY INSTRUCTIONS

▶ Temporary or permanent operation on an autonomous power supply system or a power supply system that is not synchronized with the grid power supply (e.g., island networks, back-up systems) is possible. A prerequisite for operation is that the power supply system complies with national and local codes.

The function and operation of the protective measures provided in the domestic electrical installation and in this Miele product must also be maintained in isolated operation or in operation that is not synchronized with the grid power supply, or these measures must be replaced by equivalent measures in the installation.

▶ Do not modify the plug provided with the appliance: if it will not fit the outlet, have a proper outlet installed by a qualified electrician.

▶ Before installation, disconnect the tumble dryer from the electrical supply by shutting off the power main, unplugging the power cord or tripping the circuit breaker. Do not restore power until the installation is complete.

▶ Miele Tumble Dryers and Miele Washing Machines can be installed as a washer-dryer stack. This requires a Miele Washer-Dryer Stacking Kit which can be purchased separately. Please ensure that the washer-dryer stacking kit is suitable for the Miele Tumble Dryer and the Miele Washing Machine.

▶ If you order a plinth for this tumble dryer (available from Miele as an optional accessory), make sure it is the correct one.

▶ The maximum dry laundry weight is 17.6 lb (8 kg) kg. See the “Program chart” for the maximum recommended loads for individual programs.

▶ Do not place shoes inside the drum for drying. Placing shoes inside the drum for drying can cause the belt to tear, requiring a service call.

You must always use the dryer basket (optional accessory) when drying/airing shoes. Follow the additional operating instructions for the dryer basket.

IMPORTANT SAFETY INSTRUCTIONS

- ▶ This tumble dryer is supplied with a special lamp to cope with particular conditions (e.g., temperature, moisture, chemical resistance, abrasion resistance, and vibration). This special lamp must only be used for the purpose for which it is intended. It is not suitable for room lighting. Replacement lamps should only be fitted by a Miele authorized person or by Miele Service.
- ▶ Information on the heat pump and refrigerant
 - This tumble dryer uses refrigerant gas which is not flammable and not explosive.
 - The humming noises caused by the heat pump during the drying process are normal. They do not impair the efficient functioning of the tumble dryer.

 Damage to the tumble dryer by switching it on too soon.

This can damage the heat pump.

After setting up the tumble dryer, wait for at least one hour before switching it on.

- This tumble dryer contains fluorinated greenhouse gases.
Hermetically sealed.
Designation of refrigerant: R134a
Amount of refrigerant: 0.61 kg
Global-warming potential of refrigerant: 1430 kg CO₂ e
Global-warming potential of appliance: 872 kg CO₂ e
- ▶ **WARNING:** Do not damage the refrigerant circuit.

IMPORTANT SAFETY INSTRUCTIONS

Using a fragrance capsule (optional accessory)

- ▶ Only use genuine Miele original fragrance capsules.
- ▶ Store the fragrance capsule in its original packaging.
- ▶ Make sure that you always keep the fragrance flacon or the lint filter with the flacon inserted in it in a horizontal position when carrying, and do not tip or place it down on any surface. The fragrance can leak out of the flacon.
- ▶ Use an absorbent cloth to wipe up any fragrance which has leaked out of the capsule onto the floor, the dryer or any dryer components (e.g. the lint filter) immediately.
- ▶ If fragrance comes in contact with the body: Wash skin thoroughly with soap and water. Flush eyes with clean water for at least 15 minutes. If swallowed, rinse mouth thoroughly with clean water. Seek medical attention if the fragrance comes in contact with the eyes or is swallowed!
- ▶ Immediately change clothes that have come in contact with the fragrance. Thoroughly wash clothing or fabric using a large amount of water and detergent.
- ▶ There is the risk of fire or damage to the tumble dryer if the following instructions are not observed:
 - Never refill a capsule with fragrance or any other substance.
 - Never use a faulty fragrance capsule.
- ▶ Dispose of an empty fragrance capsule properly and never use it for any other purpose.
- ▶ Please also observe the information supplied with the fragrance capsule.

IMPORTANT SAFETY INSTRUCTIONS

FCC Declaration of Conformity

▶ This appliance complies with Part 15 of the FCC regulations. This appliance has been tested and found to comply with the limits for a Class B digital device, pursuant to Part 15 of the FCC Rules and is subject to the following conditions: This appliance does not cause harmful interference. The appliances may be interconnected as desired.

FCC Radiation Exposure Statement

▶ This appliance complies with FCC RF radiation exposure limits set forth for an uncontrolled environment. These appliances should be installed and operated with a minimum distance of 8" (20 cm) between the radiator and body.

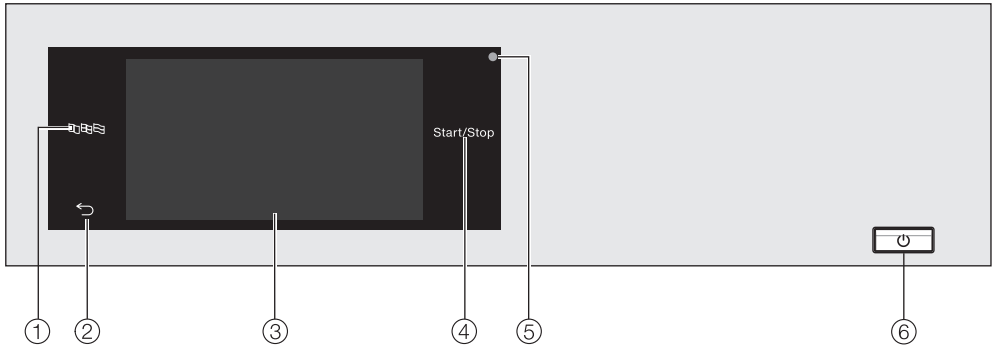
Industry Canada Statement

▶ This digital device does not exceed the Class B limits for radio noise emissions from digital devices specified in the radio regulations of the Canadian Radio-television and Telecommunications Commission. This appliance complies with the Class B specification of the Canadian ICES-003.

SAVE THESE INSTRUCTIONS

Operating the tumble dryer

Control panel



① **Language sensor control**

For selecting the current user language.

The operating language is displayed again at the end of the program.

② **Back sensor control** ↶

Takes you back one level in a menu.

③ **Touch display**

④ **Sensor control *Start/Stop***

For starting the selected drying program and canceling a program once it has started. The program selected can be started as soon as the sensor control starts flashing.

⑤ **Optical interface**



For Technical Service.

⑥ **Button** ①

For switching the tumble dryer on and off. The tumble dryer switches off automatically to save energy. This occurs 15 minutes after the end of the program/anti-crease phase, or after being switched on if no further selection is made.

Operating the tumble dryer

Sensor controls and touch display with sensor controls


The , , and *Start/Stop* sensor controls and the sensor controls in the display react to finger-tip contact. Every touch of a sensor control is confirmed with an audible keypad tone. You can adjust the volume of the keypad tone or switch it off (see “Supervisor level”).

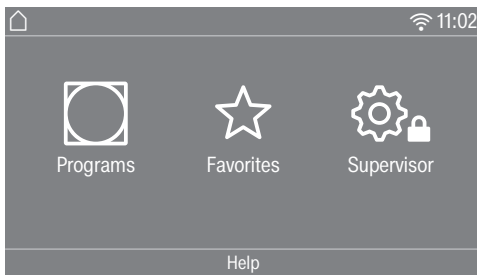
The control panel with sensor controls and the touch display can be scratched by pointed or sharp objects, e.g., pens. Only touch the display with your fingers.

Main menu

After switching on the tumble dryer, the main menu will appear in the display.

You can access all the important sub-menus from the main menu.

Touch the  sensor control at any time to return to the main menu. Values set previously are not saved.



Programs

For selecting drying programs.


Favorites

For selecting one of 12 favorite drying programs which can be set up and saved by the supervisor (see “Favorite programs” under “Supervisor level”).

Supervisor

You can alter the tumble dryer's electronic to suit changing requirements in the supervisor level (see “Supervisor level”).

Networking

If the tumble dryer is networked, the  symbol indicates the signal strength of the network (SSID) to which it is connected. Touch the symbol to display the name of the network.

Help

You can display help to assist you with the operation of the tumble dryer.

Operating the tumble dryer

Examples of how to operate the appliance

Option lists

Program menu (single-option list)



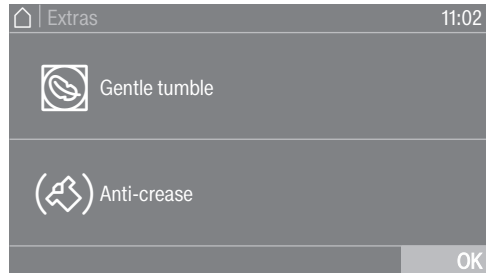
You can scroll to the right or the left by swiping your finger across the screen. To do this, place your finger on the touch display and swipe it in the direction you want.

The orange bar under the pictures shows that there are further options to choose from.

Touch a program name to select the drying program.

The display will change to the standard menu for that program.

Options menu (multiple selection)



Touch one or several *Options* to select it/them.

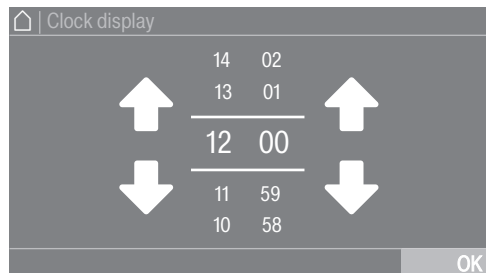
Currently selected *Options* are highlighted in orange.

To deselect an *Option*, simply touch the *Option* again.

Use the OK sensor control to activate all selected *Options*.

Setting numerical values

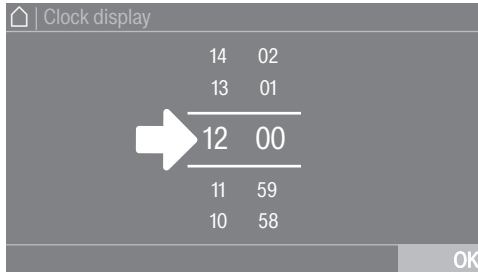
You can set numerical values in some menus.



Enter the numbers by swiping upward or downward. Place your finger on the number that you want to change and move your finger in the direction you want. Use the OK sensor control to accept the set numerical value.

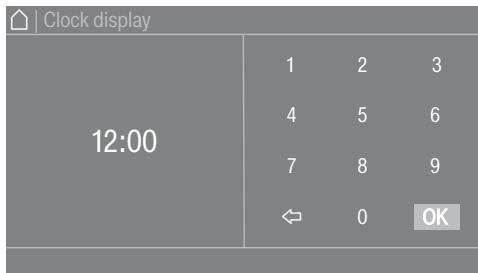
Operating the tumble dryer

Tip: For some settings, depending on the value range and increments, the value can also be set using a numerical keypad. Briefly touching the numbers will bring up the numerical keypad. Once a valid number has been entered, the OK sensor control will be highlighted in green.



- Briefly touch a number between the two lines.

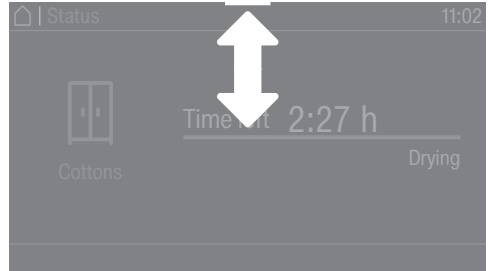
The numerical keypad will appear.



- Touch the numbers and confirm with OK.


Pull-down menu

The pull-down menu can be used to display information, e.g., about a drying program.



If an orange bar appears at the top of the screen in the middle of the display, you can open the pull-down menu. Touch the bar and drag down with your finger.


Exiting a menu

- Tap the  sensor control to return to the previous screen.

Entries made before this which have not been confirmed with OK will not be saved.

Help display

With some menus, Help appears along the bottom line of the display.

- Touch the Help sensor control to display the text.
- Touch the  sensor control to return to the previous screen.

Operating the tumble dryer

Operating a laundromat machine

The entry menu will vary depending on the programming status (see “Controls” under “Supervisor level”).

Shortcuts are the easiest way to operate the machine. Operating staff are unable to change pre-set programs.

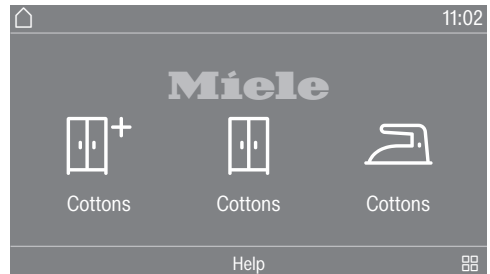
Laundromat, basic




A maximum of 12 and a minimum of 4 programs can be selected.

Depending on the setting at Supervisor level, the programs can be displayed with or without a border.

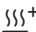





Laundromat Logo



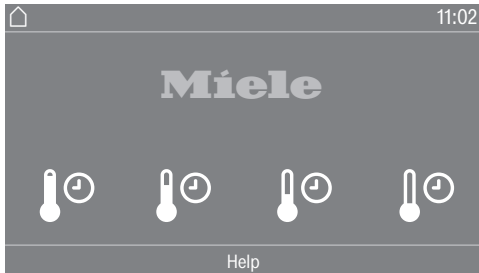
The first 3 programs can be selected directly. Up to 9 more programs can be selected from the list .

Symbols in the display

Drying levels

-  Extra Dry
-  Normal Plus
-  Normal
-  Hand iron plus
-  Hand iron
-  Machine iron

Laundromat Logo int. time / Laundromat Logo ext. time

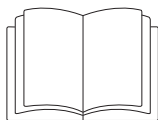


4 time programs with different temperature levels are available for selection.

- 🌡️⌚ Temperature level cold
- 🌡️⌚ Temperature level low
- 🌡️⌚ Temperature level medium
- 🌡️⌚ Temperature level high

Laundromat Logo ext. time: the tumble dryer only functions correctly when it is provided with external time information by an external unit.

Initial commissioning



⚠ Risk of injury or damage to property due to improper installation. Incorrect installation of the tumble dryer can lead to personal injury or damage to property.

Before commissioning the tumble dryer for the first time, make sure it has been installed and connected correctly. See “Installation and connection”.

⚠ Damage caused by switching the appliance on too soon.

This can damage the heat pump in the tumble dryer.

After setting up the tumble dryer, wait for at least one hour before switching it on.

Follow all the steps required for initial commissioning.

During the commissioning process, you will need to define the settings for daily use of the tumble dryer. Some of the settings can only be configured during the initial commissioning process. After that, they must only be changed by Miele Technical Service.

These settings are also described under “Supervisor level”.

Switching on the tumble dryer

- Press the button.

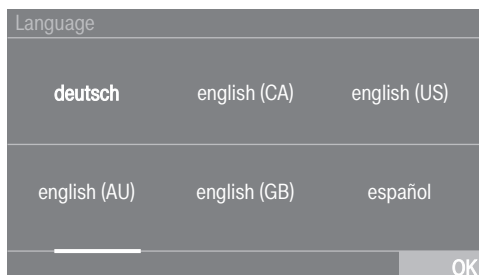
The welcome screen will light up.

Tip: During initial commissioning, you can go back to the previous screen if you need to correct an entry you have already made.

- Touch the sensor control to go back to the previous screen.

Setting the display language

You will be asked to select the display language. You can change the language at any time (see “Language” under “Supervisor level”).



- Scroll to the left or the right until the language you want appears.
- Touch the sensor control for the language you want.

The selected language will be highlighted in orange and the display will change to the next setting.

Reference to external appliances

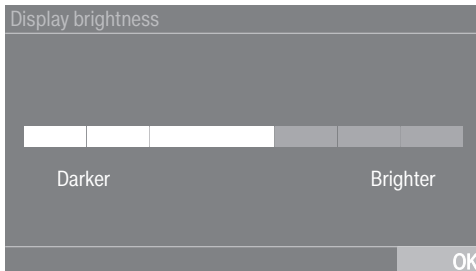
A reference to external hardware appears.

- Confirm with the OK sensor control.

Connect the XCI box or XCI-AD accessory unit before using the appliance for the first time. Alternatively, slide a communication module into the slot on the back of the tumble dryer. The tumble dryer must be disconnected from the power supply for this process. Then start the commissioning process.

Setting the display brightness

You will be asked to select the brightness of the display.



- Touch the segment bars until you reach the required level of brightness.

The selected brightness level will be highlighted in orange.

- Confirm with OK.

The display will change to the next setting.

Setting the date

Date		
21	May	2026
22	June	2025
23	July	2024
24	August	2023
25	September	2022

- Place your finger on the value that you want to change and move your finger in the direction you want.
- Once all values have been selected, confirm with the OK sensor control.

The display will change to the next setting.

Initial commissioning

Confirming the time request

The following question appears in the display:

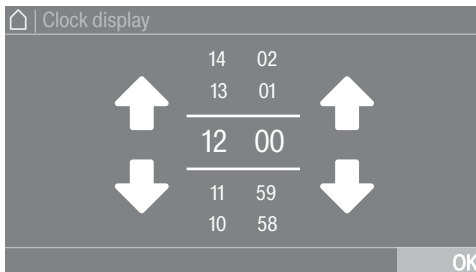
Remove the clock display?

- Touch the Yes or No sensor control.

If you select Yes, the system will skip the Clock display setting.

If you select No, the display will switch to the Clock display setting.

Setting the time



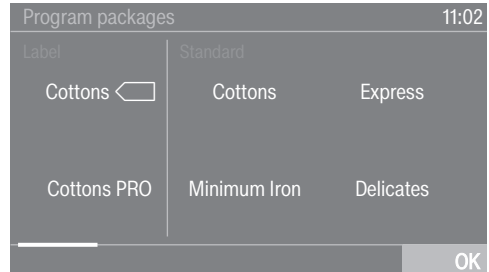
- Place your finger on the number that you want to change and move your finger in the direction you want.
- Confirm with the OK sensor control.

The display will change to the next setting.

Selecting program packages

You can select various programs from the program packages.

Any programs already active are highlighted in orange.



- Scroll right until you reach a program that is not highlighted in orange.
- Touch the sensor control for the required program.

The selected program is highlighted in orange; this means that the program is active.

- You can select further programs.

Tip: You can disable a selected program by touching the program's sensor control again.

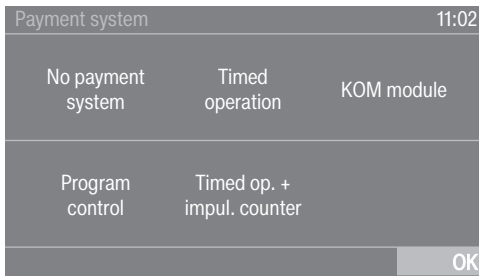
- If you do not want to select any more programs, confirm with OK.

The display will change to the next setting.

Setting up a payment system

If you wish to set up a payment system, read the “Payment system” section of the “Supervisor level” chapter. These settings can only be changed during the initial commissioning process. If you wish to change the settings after the commissioning process, please contact Miele Technical Service.

If you do not wish to set up a payment system, you can skip this stage.

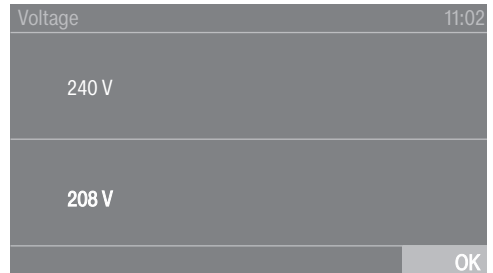


- Touch the No payment system sensor control.

The display will change to the next setting.

Setting the voltage

You must confirm the voltage in the display to align with the the voltage present at the installation site.



- Use your finger to touch the sensor control with the required voltage.
- Confirm with the OK sensor control.

The display will change to the next setting.

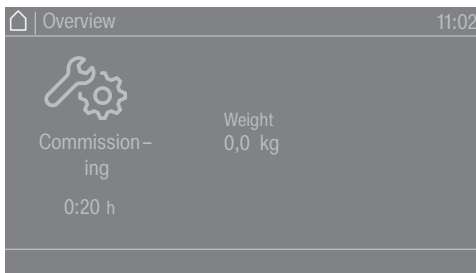
Initial commissioning

Completing the commissioning process

To complete the commissioning process, you must run the Commissioning program through to the end.

The program takes 20 minutes to complete and must run with an empty drum.

- Confirm with the OK sensor control.



- Touch the flashing *Start/Stop* sensor control.
- Once the program has finished, switch the tumble dryer off briefly and then switch it back on again.


Commissioning is complete and the tumble dryer is ready for drying.

1. Notes on correct laundry care

Washing


- Heavily soiled laundry must be washed particularly thoroughly. Use sufficient detergent and select a high temperature. If in doubt, wash the items several times.
- New, colored items must be washed thoroughly and separately. Do not dry these items with light-colored garments. There is the risk of colors running and discoloring other garments or even plastic components in the tumble dryer. Dark-colored fibers can also settle on light-colored garments and vice versa.

Drying

 Damage due to foreign objects which were not removed from the laundry.

Foreign objects can melt, burn, or explode.








Ensure that any foreign objects (e.g., detergent dispensing balls, lighters, etc.) have been removed from the laundry.

 Risk of fire due to incorrect use and operation.

The laundry can burn and destroy the tumble dryer and the surroundings. Read and observe the "IMPORTANT SAFETY INSTRUCTIONS".

- Check seams and stitching to ensure that padding and linings are intact. This way you will avoid the danger of fillings coming out and causing a fire.
- Sew in or remove underwiring from bras.

Understanding the care-label symbols

Drying	
	Normal/higher temperature*
	Low temperature*
* In this tumble dryer, items with these symbols can be dried together thanks to the gentle drying process.	
	Do not tumble dry
Ironing	
	Very hot
	Hot
	Warm
	Do not iron

2. Loading the tumble dryer

Loading the laundry

Textiles may be damaged.
Before loading, read “1. Notes on correct laundry care”.



- Open the door.
- Load the laundry.

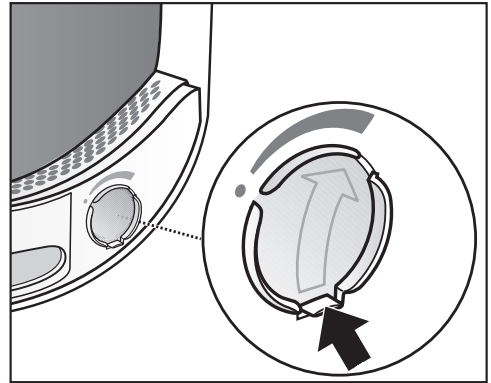
Textiles may be damaged.
When closing the door, make sure that laundry does not get trapped in the door opening.

Do not overload the drum. Overloading can cause unnecessary wear and tear to the laundry and cause a disappointing drying result. It can also cause more creasing.

Checking the socket for the fragrance flacon

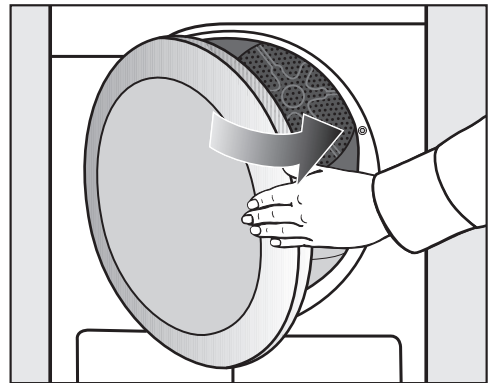
If you are not using a fragrance flacon, check that the socket is closed.

The “Fragrance flacon” chapter describes how to use the fragrance flacon.



- Push the tab down completely (see arrow) so that the socket is closed. Otherwise, lint will accumulate here.

Closing the door



- Shut the door gently.

3. Selecting a program

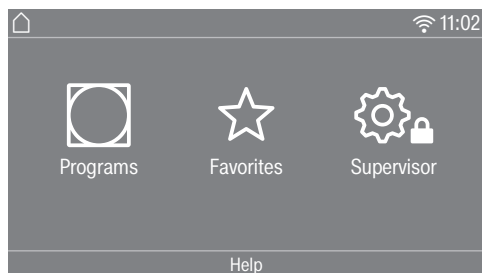
Switching on the tumble dryer

- Press the  button.


The drum lighting will come on.

The drum lighting will automatically go out after a few minutes and/or after the start of a program to save energy.

Selecting a program




There are different ways to select a program.

- Touch the  Programs sensor control.



- Scroll to the right in the display until the program you want appears.
- Touch the sensor control for that program.

The display will change to the standard menu for that drying program.

Alternatively, you can select a program via:  Favorites*.

* The pre-set programs under Favorites cannot be changed.

- Touch the  Favorites sensor control.

The programs will appear in the display. Symbols representing the pre-set parameters (drying level, extra options, or times) are displayed underneath the names of the programs.



- Scroll to the right in the display until the program you want appears.
- Touch the sensor control for that program.

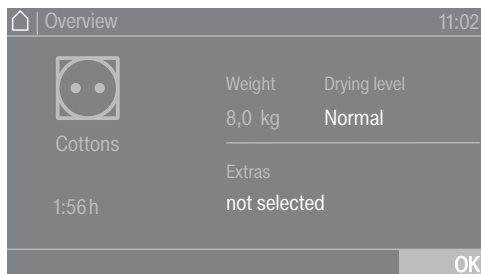
The display will change to the standard menu for that drying program.

4. Selecting program settings

Main menu for a program

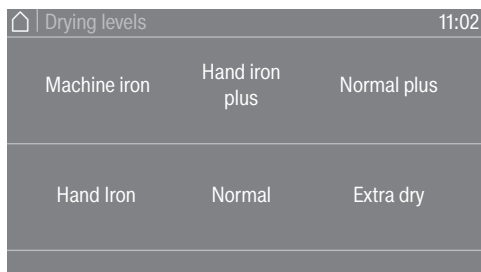
Selecting the drying level

The pre-set drying level for many programs can be changed if required. Different drying levels are available depending on the program.



- Touch the Drying level sensor control.

The drying-level selection menu opens.



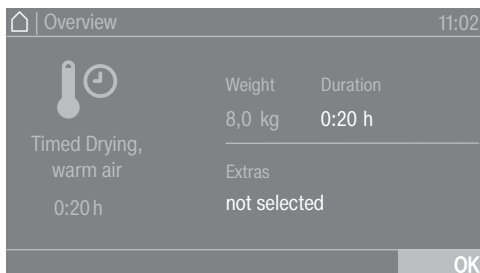
- Touch the sensor control for the drying level you want.

Selecting the duration (timed programs)

You can select the program duration yourself.*

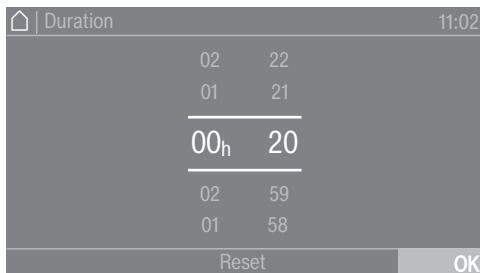
* The time frame for the selected program duration can be limited by Technical Service.

- Timed Drying, warm air = 00:20–2:00 hours
- Timed Drying, cool air = 00:10–2:00 hours
- Basket Program/Basket -Low temperature = 00:20–1:30 hours
- Timed, warm air hygiene = 00:50–2:00 hours



- Touch the Duration sensor control.

The duration-setting menu opens.

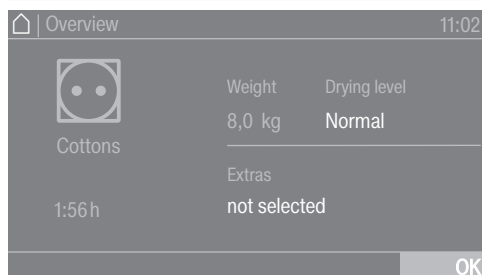


- Select a duration.
- Only press OK when the option appears on the display.

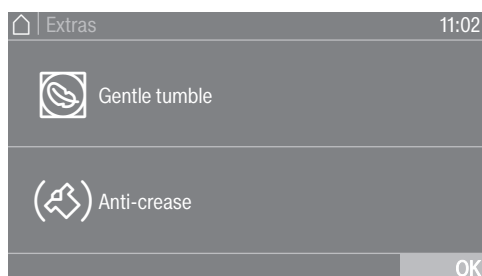
4. Selecting program settings

Selecting extra options



The drying programs can be augmented with various extra options.



- Touch the Extras sensor control.



- Touch the sensor control for the option you want.
- Only press OK when the option appears on the display.

The relevant symbol for the selected option  or  lights up.

Not all extra options can be selected with every program, only those programs for which it makes sense.

Gentle

Sensitive items are dried with less mechanical movement (fewer drum rotations).

Anti-crease

After the program has finished, the drum will continue to rotate in a certain rhythm, depending on the selected program. This helps to prevent creasing after the program has ended.

The anti-crease function is switched off as the factory default setting. It can be switched on in the supervisor level with a variable duration of up to 12 hours.

5. Starting a program

Payment system

Tip: If your machine is connected to a payment system, the amount of payment required will appear in the display.

Once the program has started, do not open the door or cancel the program. Depending on the settings, money may be lost in the payment system.

Starting a program

The program can be started as soon as the *Start/Stop* sensor control is flashing on and off.

- Touch the *Start/Stop* sensor control.

If a delay-start period has been selected, this will appear in the display.

The program duration will appear in the display either straight away or once the delay-start period has elapsed. The program sequence is also shown in the display.

Tip: In the pull-down menu, you can view the selected drying level or duration and the selected options.

Program duration/Estimated time remaining

The program duration depends on the quantity of laundry, the type of fabric, and the residual moisture in the laundry or also the water hardness. The running time for drying-level programs can therefore vary or “jump”. The tumble dryer's electronic adapts to these factors and then adjusts the displayed program duration with increasing accuracy.

6. End of program – removing the laundry

End of program

The laundry will be cooled down shortly before the end of the program. The laundry can now be unloaded.

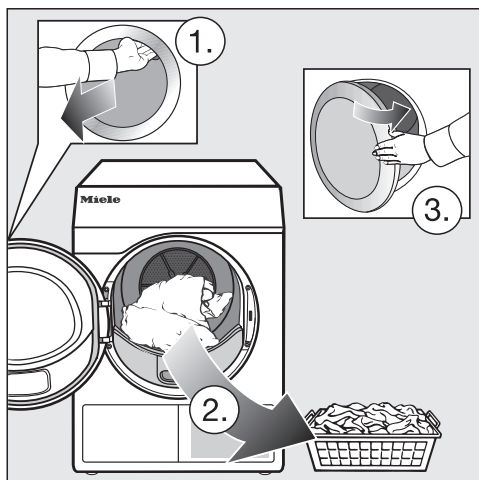
- Finish lights up

If *Anti-crease* (🌀)* has been selected, the drum rotates in intervals. This reduces creasing if the laundry cannot be removed straight away.

* The anti-crease function is switched off as the factory default setting.

The tumble dryer will switch off automatically 15 minutes after the end of a program.

Removing the laundry



- Open the door.
- Remove everything from the drum.

Items left in the dryer could be damaged by over-drying when the dryer is used the next time. Always remove all items from the drum.

- Switch the tumble dryer off.

Observing the care notes


This tumble dryer requires regular maintenance, particularly if it is used on a continuous basis.

Tip: Please see “Cleaning and care” for details. Read the “Cleaning the appliance at the correct intervals” section first.

Timer

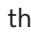
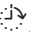

The Delay start must be activated in the Supervisor level so that the timer can be selected.
Before the program starts, the Timer can be used to select a program start time or program end time.

Setting the timer

- Touch the  Timer sensor control.
- Select the Finish at, Start in, or Start at option.
- Set the hours and the minutes and confirm your entry with the OK sensor control.




Changing the timer

The selected delay-start period can be changed before the program starts.

- Touch the , , or  sensor control.
- If required, change the specified time and confirm with the OK sensor control.

Deleting the timer

The selected delay-start period can be canceled before the program starts.

- Touch the , , or  sensor control.

The selected delay-start period will appear in the display.

- Touch the Delete sensor control.
- Confirm with the OK sensor control.

The selected delay-start period is deleted.

Starting the timer

- Touch the *Start/Stop* sensor control.

The door will lock and the time until the program starts will appear in the display.

After the program has started, the selected delay-start period can only be changed by interrupting the program.



The program can be started immediately at any time.

- Touch the Start immediately sensor control.

Program chart

All weights marked with * are based on the weight of dry laundry.

Label


Cottons Eco 		Maximum 17.6 lb (8 kg)*
Items	Cotton items such as those described under <i>Cottons, Normal</i> with normal residual moisture.	
Note	<ul style="list-style-type: none"> - Items are dried to a <i>Normal</i> level only in this program. - The <i>Cottons</i>  program is the most energy-efficient for drying cotton items with normal residual-moisture levels. 	
Note for test institutes	Test program in accordance with Regulation 392/2012/EU, measured in accordance with EN 61121.	
Cottons PRO		Maximum 17.6 lb (8 kg)*
Items	Cotton items such as those described under <i>Cottons, Normal</i> with normal residual moisture.	
Note	Items are dried to a <i>Normal</i> level only in this program.	

Program chart

Program packages

You can select various programs from the program packages. The programs will appear in the program list.

Standard

Cottons		Maximum 17.6 lb (8 kg)*
Extra Dry, Normal Plus, Normal		
Items	<ul style="list-style-type: none"> - Single and multi-layered cotton items. - Towels, bathrobes, T-shirts, underwear, jersey bed linen, baby clothes. - Workwear, jackets, cotton blankets, overalls, dish towels, bed linen, towels, boil-proof table linens/drapes. 	
Note	<ul style="list-style-type: none"> - Select <i>Extra Dry</i> for multi-layered and very thick fabrics. - Do not use <i>Extra Dry</i> for jersey fabrics (e.g., T-shirts, underwear, baby clothes) because they can shrink. 	
Hand iron plus, Hand iron, Machine iron		
Items	<ul style="list-style-type: none"> - Cotton and linen fabric. - Table linens/drapes, bed linen, starched laundry. 	
Tip	To prevent laundry from drying out, it should be rolled up until you are ready for ironing.	
Minimum iron		Maximum 8.8 lb (4 kg)*
Normal Plus, Normal, Hand iron		
Items	<ul style="list-style-type: none"> - For wrinkle-free items made of cotton, synthetic, or mixed fiber. - Workwear, overalls, pullovers, dresses, pants, table linens/drapes, tights. 	
Note	 is automatically selected.	

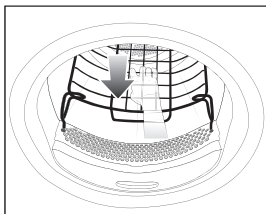
Program chart

Express		Maximum 8.8 lb (4 kg)*
Extra Dry, Normal Plus, Normal, Hand iron plus, Hand iron, Machine iron		
Items	Garments suitable for the <i>Cottons</i> program	
Note	Shorter program duration	
Delicates		Maximum 8.8 lb (4 kg)*
Normal Plus, Normal, Hand iron plus		
Items	<ul style="list-style-type: none"> - Delicate synthetic, cotton, or mixed-fiber fabrics. - Lightweight pullovers, dresses, pants, overalls, table cloths, dress shirts, and blouses. - Lingerie and appliquéd fabrics. 	
Note	Less creasing occurs in this program.	
Tip	Reducing the load will reduce creasing even further.	
Shirts		Maximum 4.4 lb (2 kg)*
Normal, Hand iron plus		
Items	Shirts and blouses.	
Denim		Maximum 7.7 lb (3.5 kg)*
Normal, Hand iron plus		
Items	Denim garments, e.g., jeans, jackets, skirts, shirts.	
Woolens		Maximum 4.4 lb (2 kg)*
Items	Woolen garments and fabric containing wool blends, e.g., pullovers, cardigans, tights.	
Note	<ul style="list-style-type: none"> - Wool and wool-blend items are only fluffed up; they are not dried completely. - Remove garments as soon as the program has finished and leave to finish drying at room temperature. 	

Program chart

Silks		Maximum 2.2 lb (1 kg)*
Items	Silk garments which are suitable for tumble drying, e.g., blouses and shirts	
Note	<ul style="list-style-type: none"> - Program for reduced creasing. - Items are not dried completely in this program. - Remove the garments as soon as the program has finished. 	
Toweling		Maximum 15.4 lb (7 kg)*
Items	Large quantities of single-layered and multi-layered toweling items. These include, for example, towels, bath towels, bath robes, face flannels, flannel bed linen.	
Note	Items are dried to a <i>Normal Plus</i> level only in this program.	
Gentle Smoothing		Maximum 2.2 lb (1 kg)*
Normal, Hand iron plus		
Items	<ul style="list-style-type: none"> - Cotton and linen fabrics. - For wrinkle-free items made of cotton, synthetic, or mixed fiber. For example, pants, jackets, and shirts. 	
Note	<ul style="list-style-type: none"> - This program smoothes out creasing caused during the spin cycle in the washing machine. - Items are not dried completely. Remove garments as soon as the program has finished and leave to finish drying at room temperature. - Also suitable for dry laundry that is smoothed for a fixed time interval. 	
Automatic Plus		Maximum 11 lb (5 kg)*
Normal Plus, Normal, Hand iron plus		
Items	Mixed loads of garments suitable for the <i>Cottons</i> and <i>Minimum iron</i> programs.	
Microfiber		Maximum 15.4 lb (7 kg)*
Normal Plus, Normal		
Items	Microfiber mops and cleaning cloths.	

Program chart

Timed drying warm air		Maximum 17.6 lb (8 kg)*
Items	<ul style="list-style-type: none"> - Voluminous items such as jackets, pillows, sleeping bags, and padded items. - Fabrics made up of multiple layers, e.g., heavy cotton table cloths. - Individual items of laundry, e.g., towels, swimwear, dish towels. 	
Note	<ul style="list-style-type: none"> - For airing multi-layered fabrics or large items that dry unevenly due to their make-up. - For drying a small number of individual garments. - Do not select the longest drying time to start with. Check the items as you are drying them to find the optimum time. 	
Timed drying cool air		Maximum 17.6 lb (8 kg)*
Items	Any item that only needs airing.	
Basket		Basket load 7.7 lb (3.5 kg)
Basket – Low temperature		Basket load 7.7 lb (3.5 kg)
Fabric type/ items	<ul style="list-style-type: none"> - Always follow the operating instructions for the dryer basket. - These programs must only be used to dry or air items which are suitable for drying in a tumble dryer but which are not suitable for drying using mechanical action. 	
Note	<ul style="list-style-type: none"> - These programs may only be used with the Miele Dryer Basket (optional accessory). - Select <i>Basket – Low temperature</i> for temperature-sensitive items. - The dryer drum does not turn. - A satisfactory drying result cannot be achieved without the dryer basket. - Always follow the operating instructions for the dryer basket. 	
		

Program chart

Sport

Sportswear		Maximum 6.6 lb (3 kg)*
Items	Sportswear that is suitable for drying in a tumble dryer.	
Note	Items are dried to a <i>Normal</i> level only in this program.	
Outdoor		Maximum 5.5 lb (2.5 kg)*
Normal, Hand iron plus		
Items	Outdoor clothing which is suitable for drying in a tumble dryer.	
Proofing		Maximum 5.5 lb (2.5 kg)*
Textiles	For drying microfiber fabrics, skiwear, outdoor wear, fine close weave-cotton garments (poplin), and table linens which are suitable for drying in a tumble dryer.	
Note	<ul style="list-style-type: none"> - This program includes an additional proofing-fixing phase. - Only use proofing agents that are stated by the manufacturer as being "suitable for use on membrane textiles". These agents contain fluorochemical compounds. - Do not dry items which have been treated with proofing agents containing paraffin. This substance is a fire risk. - Items are dried to a <i>Normal</i> level only in this program. 	
Reactivation		Maximum 5.5 lb (2.5 kg)*
Items	Outdoor clothing which is suitable for drying in a tumble dryer.	
Note	<ul style="list-style-type: none"> - The drying process revitalizes the fibers, which improves the water-repelling effect. - Items are dried to a <i>Normal</i> level only. 	

Soft furnishings

Down Bedding		Maximum 4.4 lb (2 kg)*
Items	Bedding suitable for tumble drying (duvets or pillows filled with down or feathers).	
Note	Items are dried to a <i>Normal</i> level only in this program.	
Tip	Feathers have a tendency of developing a strong odor when they are warm. Allow bedding to air outside the tumble dryer after drying.	
Synthetic Bedding		Maximum 4.4 lb (2 kg)*
Items	Bedding suitable for tumble drying (duvets or pillows with a synthetic filling).	
Note	Items are dried to a <i>Normal</i> level only in this program.	
Large items		Maximum 8.8 lb (4 kg)*
Normal Plus, Normal, Hand iron, Machine iron		
Items	Robust, larger items for the <i>Cottons</i> program. These include, for example, blankets, multi-layered covers, large voluminous items.	

Program chart

Hygiene

In the hygiene programs, items will be dried with a temperature that is constant over an extended period (longer temperature-holding time). This kills off micro-organisms such as germs or dust mites and reduces allergens in the laundry. If a hygiene program is canceled early, micro-organisms will not be killed. Do not cancel this program.

Cottons hygiene		Maximum 8.8 lb (4 kg)*
Items	Cotton or linen items that come into direct contact with the skin. These include, for example, underwear, baby clothes, hand towels, bath towels, bathrobes, spa towels, and flannels.	
Note	Items are dried to a <i>Normal</i> level only in this program.	
Minimum iron hygiene		Maximum 8.8 lb (4 kg)*
Items	<ul style="list-style-type: none"> - For wrinkle-free items made of cotton, synthetic, or mixed fiber. - Workwear, overalls, pullovers, dresses, pants, table linens/drapes, tights. 	
Note	Items are dried to a <i>Normal</i> level only in this program.	
Timed warm air hygiene		Maximum 8.8 lb (4 kg)*
Items	<ul style="list-style-type: none"> - Voluminous items such as jackets, pillows, sleeping bags, and padded items. - Fabrics made up of multiple layers, e.g., heavy cotton table cloths. - Individual items of laundry, e.g., towels, swimwear, dish towels. 	
Note	<ul style="list-style-type: none"> - For airing multi-layered fabrics or large items that dry unevenly due to their make-up. - For drying a small number of individual garments. - Do not select the longest drying time to start with. Check the items as you are drying them to find the optimum time. 	

WetCare

WetCare Sensitive		Maximum 5.5 lb (2.5 kg)*
Items	Non-washable outerwear	
Note	The garment is briefly dried and fluffed up	
WetCare Silks		Maximum 5.5 lb (2.5 kg)*
Normal, Hand iron plus, Hand iron		
Items	Non-washable silk garments which crease easily	
WetCare Intensive		Maximum 5.5 lb (2.5 kg)*
Normal, Hand iron, Hand iron plus, Machine iron		
Items	Washable outerwear	

Flatwork

Cottons 40% residual moisture		Maximum 17.6 lb (8 kg)*
Cottons 25% residual moisture		Maximum 17.6 lb (8 kg)*
Minimum iron 20% residual moisture		Maximum 8.8 lb (4 kg)*
Items	<ul style="list-style-type: none"> - Hotel, care-home, or hospital laundry that requires further processing (hand ironing, machine ironing, folding). - This includes cottons and minimum-iron fabrics, such as bedding, table linens/drapes, or towels. 	
Note	<ul style="list-style-type: none"> - The residual moisture is absorbed by the fabric fibres, which makes them easier to smooth. - These programs only dry to <i>Machine iron</i> . 	
Tip	<ul style="list-style-type: none"> - To prevent laundry from drying out, it should be rolled up until you are ready for ironing. - Shake the laundry before ironing. 	

Program chart

Special programs

You can put together 5 special programs and assign your own program names. Enter these into the tables.

Load: Maximum 17.6 lb (8 kg) kg (weight of dry items)

Example

[Special program 1] Dry+	
Res. moisture program	
- Final residual moisture :	- 6%
- Extra drying time :	30 min
- Temperature :	140 °F (60 °C)

(1)
-
-
-
-
-
-
-

(2)
-
-
-
-
-
-
-

(3)
-
-
-
-
-
-
-
-

(4)
-
-
-
-
-
-
-
-

(5)
-
-
-
-
-
-
-
-

Changing the program sequence


Payment system

Opening the door or canceling the program after it has started may cause a loss of credit (depending on how the tumble dryer was set up*).

* Either during the commissioning process or subsequently, Technical Service can reset the payment system so that programming changes can be made.

Changing a program once it has started

You cannot change to another program once a program has started (this prevents unintentional alterations). You will need to cancel the current program before you can select a new one.

 Risk of fire due to incorrect use and operation.
The laundry can burn and destroy the tumble dryer and the surroundings.
Read and observe the “IMPORTANT SAFETY INSTRUCTIONS”.

Canceling a program

- Touch the *Start/Stop* sensor control.

A message will appear in the display asking if you wish to cancel the program.


- Touch the *Yes* sensor control.

Reselecting a canceled program

- Open and close the door.
- Select and start a new program.


Adding laundry

- Open the door.

 Risk of burns by touching hot laundry in the drum.
You could burn yourself.
Let the laundry cool down and remove it carefully.

- Add items.
- Close the door.
- Start the program.

Interruption to the power supply

If the power supply is interrupted because the tumble dryer has been switched off with the button :

- Switch the tumble dryer on.
- Touch the *Start/Stop* sensor control.

If the power supply is interrupted by a power cut:

- When power is restored, confirm with *OK*.
- Touch the *Start/Stop* sensor control.

Time left

Altering the program sequence can cause the program duration shown in the display to be adjusted.

Fragrance flacon

Inserting a fragrance flacon

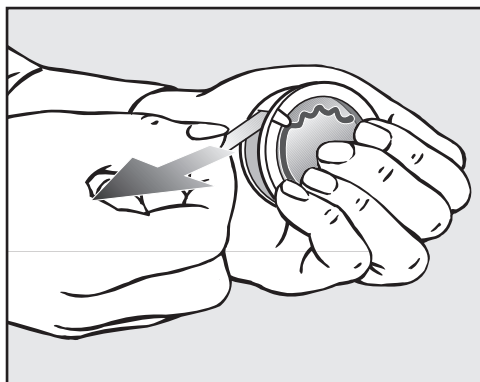
Fragrance flacons (optional accessories) can be used to give your laundry a pleasant scent.

⚠ Risk of fire and damage to the health if fragrance flacons are used incorrectly.

The leaked fragrance can damage your health if it comes into contact with your body. Leaked fragrance can cause fire.

Before using a fragrance flacon, please read "IMPORTANT SAFETY INSTRUCTIONS", "Using the fragrance flacon (optional accessory)".

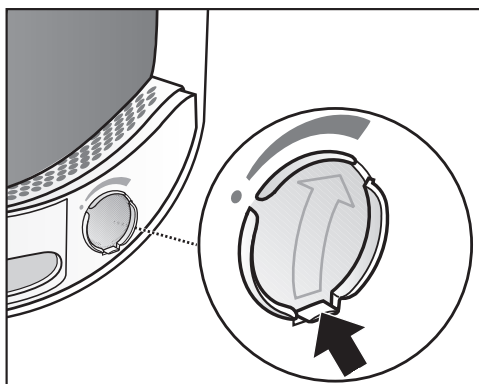
Only hold the fragrance flacon as illustrated. Do not hold it at an angle or tip it as the fragrance will leak out of it.



- Hold the fragrance flacon securely so that you do not open it by mistake.
- Pull off the protective seal.
- Open the door of the tumble dryer.

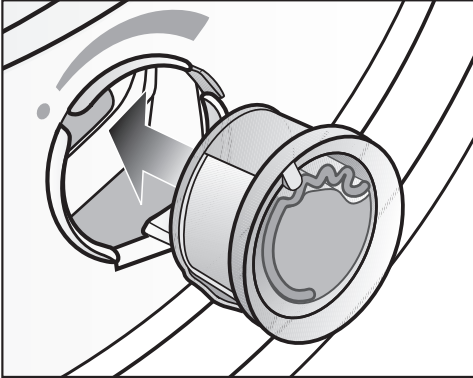
The fragrance flacon is inserted in the upper lint filter. The socket is next to the recessed grip.

If you are not using a fragrance flacon, the cover to the unused socket must remain closed to prevent the build-up of lint. Push the tab on the cover to the bottom (see arrow).

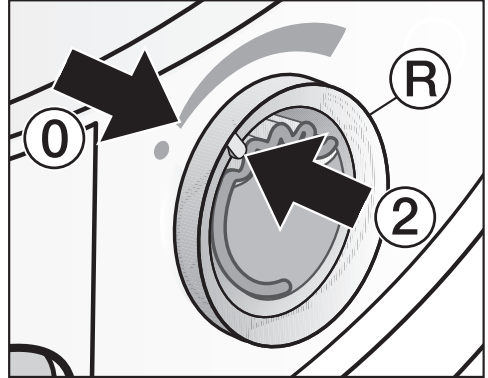


- Open the cover using the tab until the tab is right at the top.

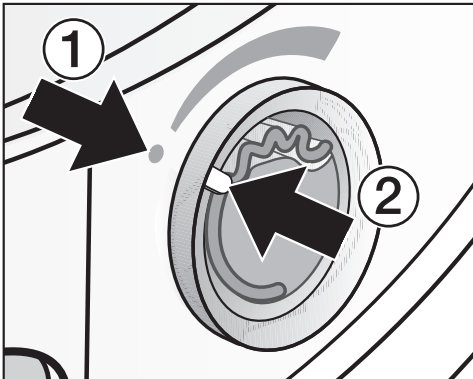
Fragrance flacon



- Insert the fragrance flacon as far it will go into the socket.



- Turn the outer ring **®** clockwise a little.



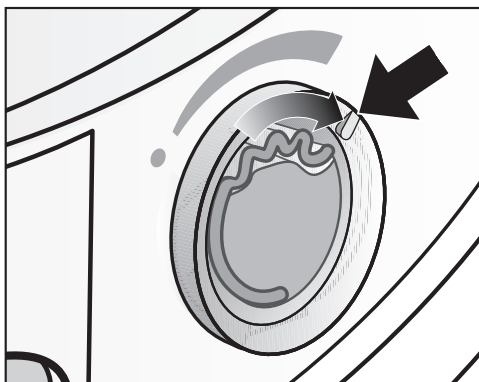
The markers ① and ② must line up with one another.

The fragrance flacon may slip out.
Turn the outer ring in such a way that
the markers ② and ① line up.

Fragrance flacon

Opening the fragrance flacon

Before drying, you can select the intensity of the fragrance.

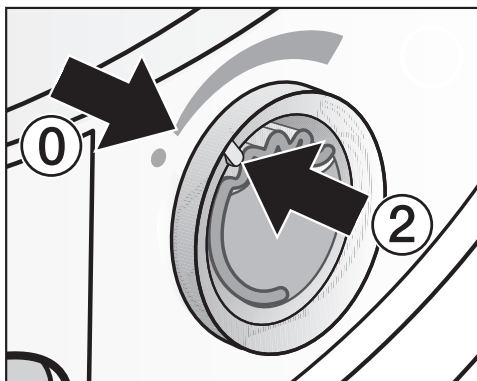


- Turn the outer ring clockwise: The further you open the fragrance flacon, the more intense the fragrance.

Damp laundry and longer drying durations with sufficient heat transfer are needed for the fragrance to be released into the laundry effectively. The fragrance will also be noticeable in the room air during the process. The *Timed drying cool air* program will not generally apply fragrance.

Closing the fragrance flacon

After drying, the fragrance flacon should be closed to prevent the fragrance from escaping needlessly.

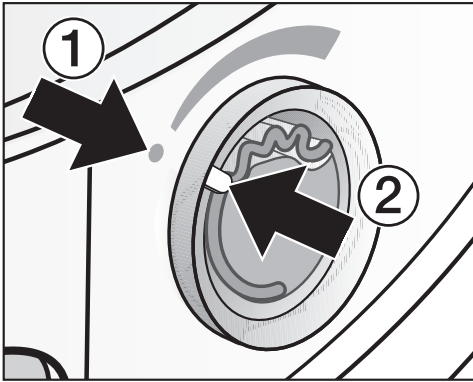


- Turn the outer ring counterclockwise until marker ② is in position ①.

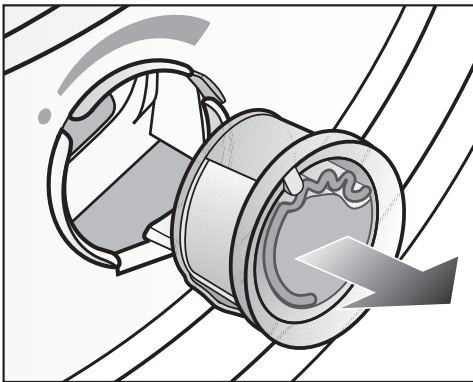
If you wish to dry without the fragrance occasionally: Remove the fragrance flacon and store it in its original packaging.

Replace the fragrance flacon with a new one when the intensity of the fragrance is no longer sufficient.

Removing/replacing the fragrance flacon



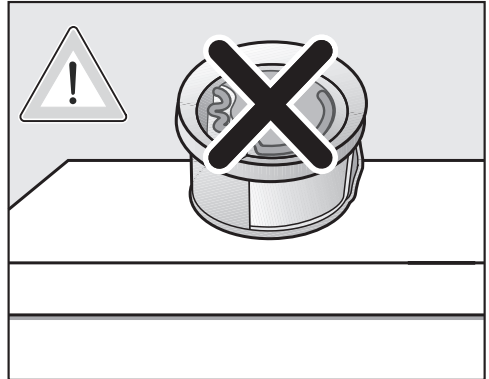
- Turn the outer ring counterclockwise until markers ① and ② line up.



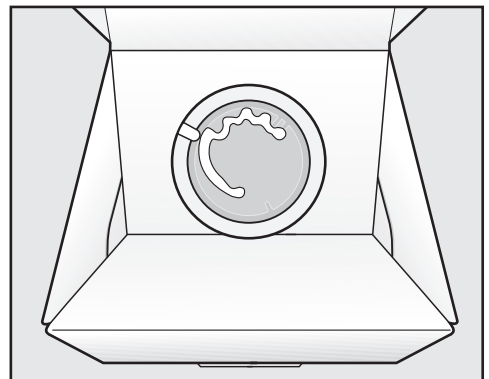
- Replace the fragrance flacon with a new one.

When not in use, you can store the fragrance flacon in its original packaging.

Fragrance flacons are available to order from Miele dealers, Miele Service, or online.



The fragrance can leak out of the flacon. Do not lay the fragrance flacon down.



- If you are keeping the fragrance flacon in its original packaging, do not store the packaging upright on its edge or upside down. Otherwise, the fragrance will leak out.
- Always store in a cool, dry place away from direct sunlight.
- When purchasing new fragrance flacons, only remove the protective seal just before use.

Cleaning and care

When to clean

This tumble dryer is equipped with a multi-stage filter system, which consists of lint filters (1.) and a filter in the toe-kick (2.). This filter system collects all lint generated during the drying process.

Failure to clean the filter regularly could increase drying times.



Fire hazard due to irregular maintenance.

Too many lint deposits in the filter system and tumble dryer will result in a risk of fire.

Check the filter system and air-supply area on a regular basis. Clean the filter if you find any lint deposits.



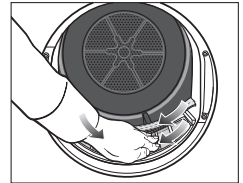
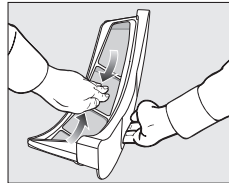
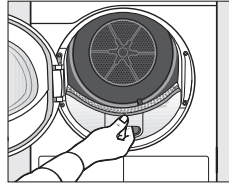
Damage caused by a missing or damaged filter system.

Too many lint deposits in the filter system and tumble dryer will result in a risk of appliance malfunctions and a risk of fire.

Never use the tumble dryer without the filter system. Always replace a damaged filter system immediately.

1. Cleaning the lint filters

The lint filters are located in the drum-loading area.

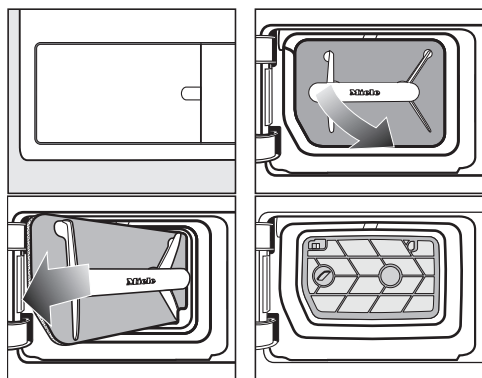


Always clean the appliance whenever prompted to do so in the display. Various messages can be displayed: Clean the lint filter and rinse the plinth filter. Rinse the lint filter and plinth filter. Check the airways.

- To delete the message: touch the OK sensor control.

2. Cleaning the toe-kick filter

The filter in the toe-kick is behind the lint-filter flap on the bottom left.



Normal use


Always clean the appliance whenever prompted to do so in the display. Various messages can be displayed: Clean the lint filter and rinse the plinth filter. Rinse the lint filter and plinth filter. Check the airways.

Continuous operation

Clean once a day and also when the prompt appears in the display.

Cleaning the filter insert in the toe-kick

The filter insert is visible in the toe-kick after removing the lint filter. Clean the filter insert as well.

 Damage caused by insufficient cleaning or by operation with a worn, damaged filter in the toe-kick.

There is insufficient flow of air and heat in the heat exchanger due to clogging. This requires a visit from the Miele Service department.

This can be avoided by following the advice in these operating instructions.

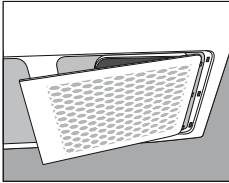
- To delete the message: touch the OK sensor control.

Cleaning and care

3. Cleaning the bottom-right grille/heat exchanger for heat dissipation

Clean only when Open bottom right grille, clean the heat exchanger appears in the display.

The bottom-right grille can be removed. This covers the heat exchanger for heat dissipation.



- Keep the room where the tumble dryer is located free from dust and lint. Doing so will mean that you will rarely have to clean the grille.
- See “Bottom-right grille/heat exchanger”.
- Check and clean the filter (in the toe-kick) and the lint filters.
- To delete the message: touch the OK sensor control.

Cleaning the lint filters

This tumble dryer has 2 lint filters in the loading area. The upper and lower lint filters trap lint produced during the drying process.

Removing the fragrance flacon

The intensity of the fragrance will be diminished if the lint filters and the toe-kick filter are not cleaned.

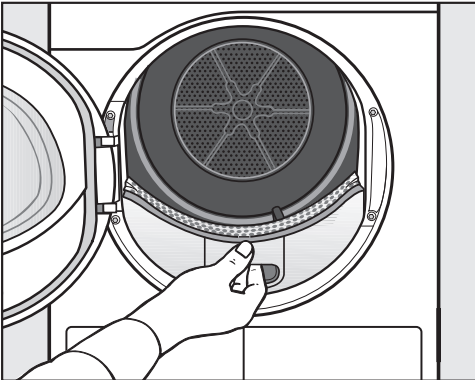
- Remove the fragrance flacon as described in “Removing/replacing the fragrance flacon” under “Fragrance flacons”.

Removing visible lint

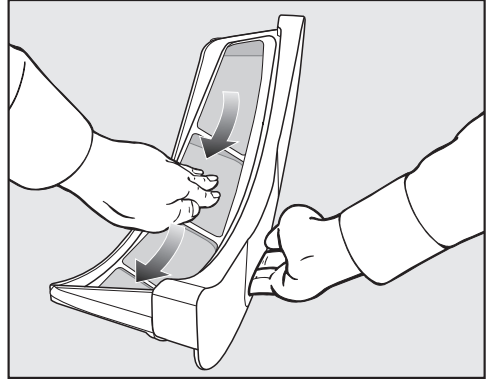
Remove any lint after every drying cycle.

Tip: You can also use a vacuum cleaner so that you can remove the lint without touching it.

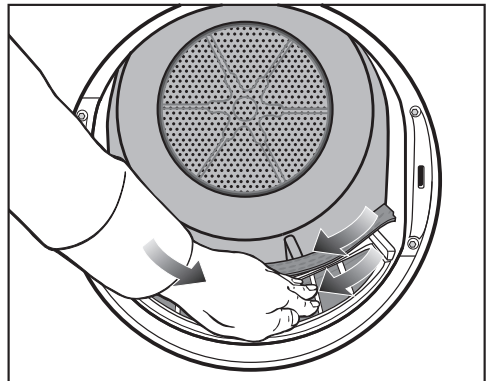
- Open the door.



- Pull the upper lint filter forward to remove it.



- Remove the lint (see arrows).



- Remove the lint (see arrows) from the filter surface of all the lint filters and the perforated laundry deflector.
- Push the upper lint filter back into position until it clicks.
- Close the door.

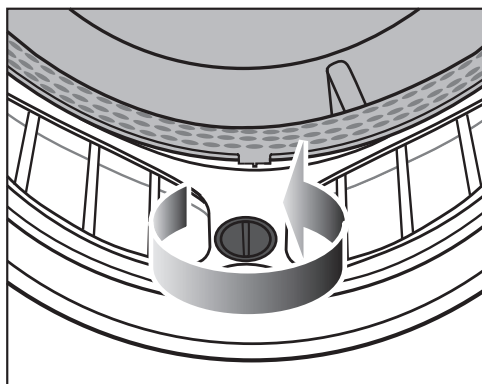
Cleaning and care

Cleaning the lint filters and air-flow openings thoroughly

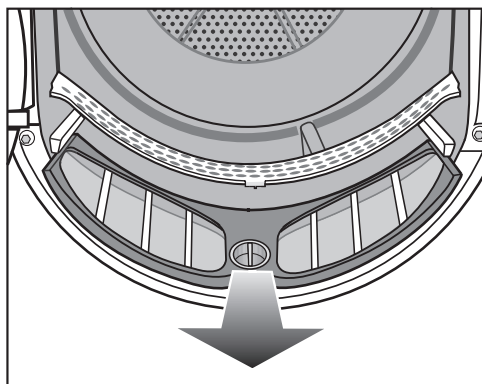
If the drying duration has become longer or the surface of the filters is visibly compacted with lint, you should carry out the following cleaning procedure.

Cleaning the lint filters while dry

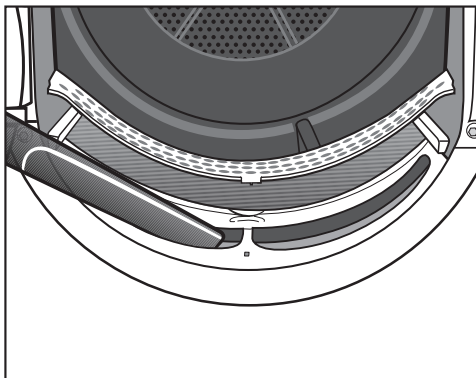
- Pull the upper lint filter forward to remove it.



- Turn the yellow knob until it clearly engages.



- Pull the lint filter forward to remove it.

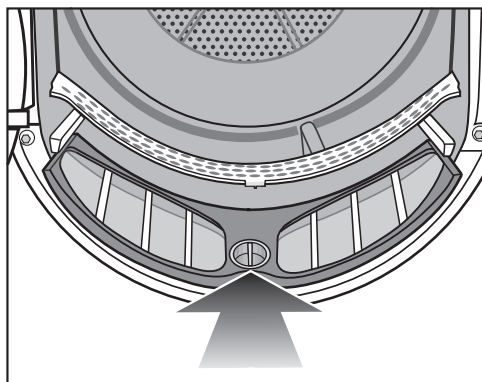


- Use a vacuum cleaner with a long crevice nozzle attached to remove any visible lint from the upper air-flow openings.

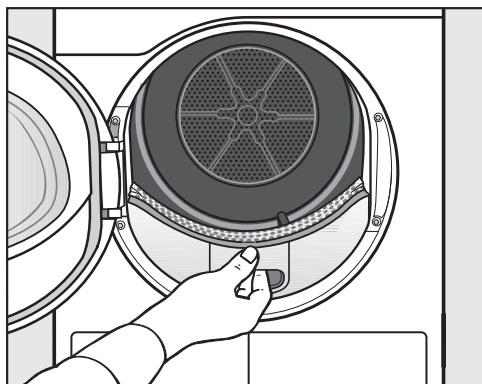
Cleaning the lint filters with water

- Rinse the filter surfaces through under warm running water.
- Wipe the smooth plastic surfaces of both lint filters with a damp cloth to clean them.

Wet lint filters could cause operational faults while drying. Shake the lint filters thoroughly and then dry them carefully.



- Push the lower lint filter in completely and lock it with the yellow knob.



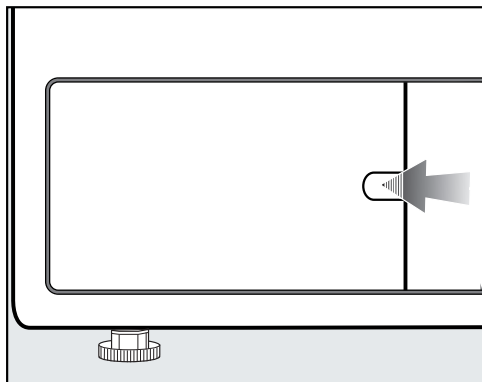
- Push the upper lint filter in completely.
- Close the door.

Cleaning and care

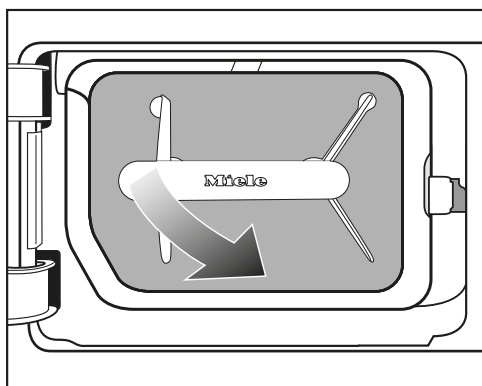
Cleaning the toe-kick filter

The lint filter in the toe-kick collects finer lint, hair, and detergent residues that have got through the surfaces of the lint filters.

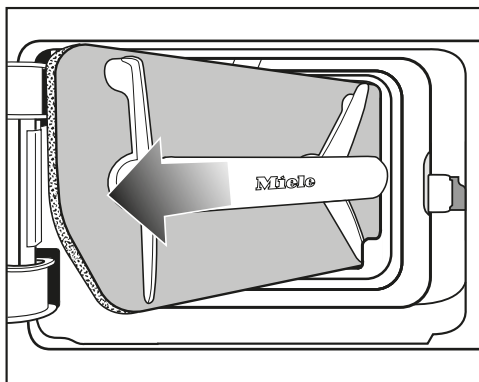
Removing the lint filter



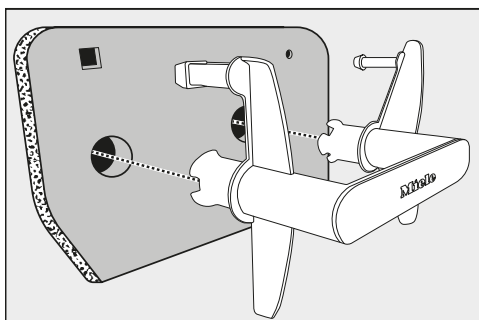
- Reach behind the catch with your finger.
- Open the lint-filter flap.



- 1 Use the handle to pull out the lint filter at an angle forward and to the right.



- 2 Pull the lint filter out at an angle.



- Pull the handle out of the lint filter.


Cleaning the lint filters with water

- Clean the filter thoroughly under running water.
- Squeeze the filter very carefully several times as you rinse it.
- Rinse the filter until all visible residues have been removed.

The filter must not be installed dripping wet. Otherwise, this could cause a fault. Carefully squeeze the water out of the filter.

If a drying program is interrupted with a fault message after the clean toe-kick filter has been installed, the toe-kick filter was too wet when it was installed. Carefully squeeze the water out of the toe-kick filter again. Leave the toe-kick filter to air-dry.

If a fault occurs again despite this, it may be caused by stubborn residue from washing substances. Reactivate the toe-kick filter in the washing machine. See “Frequently Asked Questions – Reactivating the toe-kick filter”.

 Damage caused by a insufficiently cleaned or damaged lint filter.


If the filter has not been properly cleaned or is damaged, the heat exchanger will be clogged. There will be an insufficient flow of air and heat in the heat exchanger. This will require a visit from Customer Service.

Before and after cleaning, check the toe-kick filter in accordance with the description in “Replacing the toe-kick filter”. The toe-kick filter must be perfectly functional and undamaged after cleaning.

- Use a damp cloth to remove any lint from the handle.

Cleaning and care

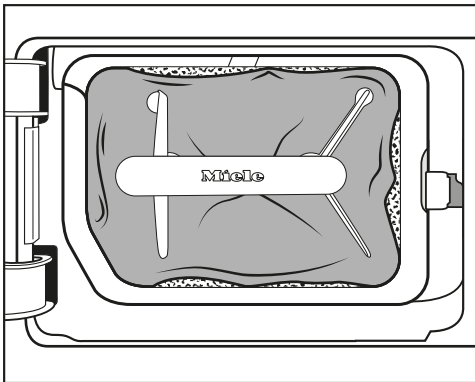
Replacing the toe-kick filter

 Filter wear caused by continuous tumble-dryer use.

If the tumble dryer is in continuous use and is being cleaned regularly, the toe-kick filter can begin to show signs of wear after a while. This can clog up the heat exchanger.

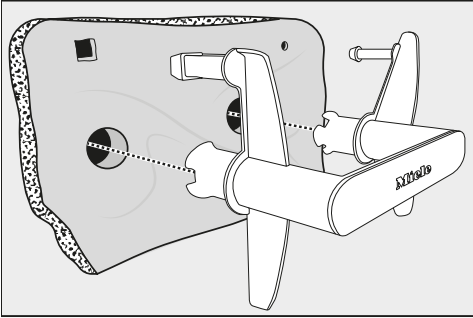
Replace the filter immediately if you see the following signs of wear before or after cleaning (optional accessory).

Poor fit



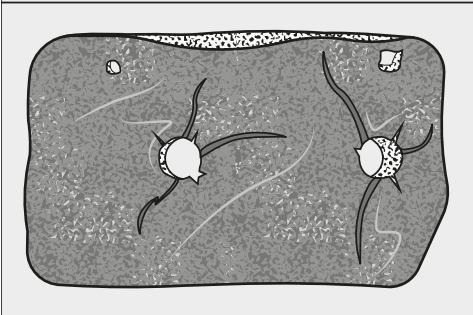
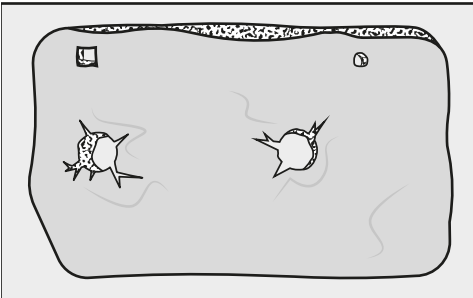
The edges of the filter do not sit properly and the filter is deformed. Lint will blow into the heat exchanger unfiltered through edges that do not sit properly. This will cause a permanent obstruction in the heat exchanger.

Deformation



Deformations indicate that the filter has become blocked and worn by continuous use.

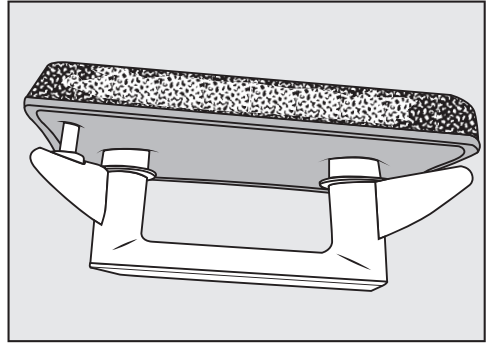
Cracks, tears, indentations



Lint will blow into the heat exchanger through cracks and tears and will cause obstruction.

Indentations indicate that the filter has become blocked and worn by continuous use.

White residues or residues of other colors



Residues arise from laundry fibers and traces of detergent components which can clog the filter. They can be found on the front and side edges of the filter. In extreme cases, they can form stubborn crust.

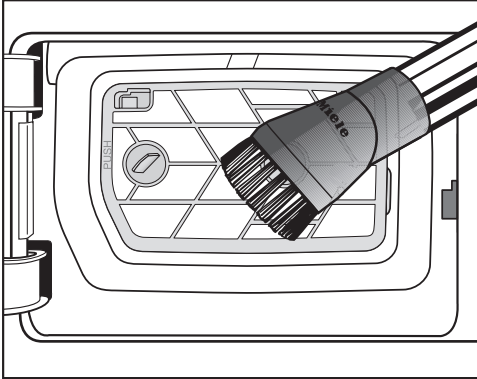
Residues are a sign that the filter no is longer a snug fit at the sides, even if it appears to be perfect: Lint is getting in unfiltered at the edges.

If these residues appear on the filters again soon after cleaning, the filter must be replaced.

Cleaning and care

Cleaning the filter insert (in the toe-kick)

The surface of the filter in the filter insert is visible after removing the lint filter in the toe-kick. This filter surface must only be cleaned if there is a visible accumulation of lint.

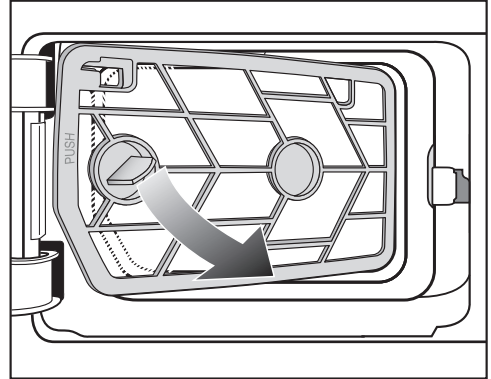


- Carefully vacuum up any visible lint or soiling. Use a dusting brush or the narrow crevice nozzle.

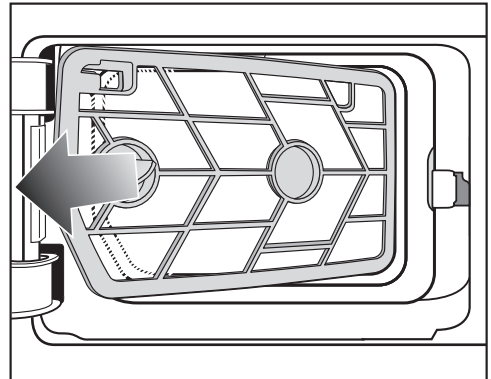
If there are visible blockages or other residues after cleaning: Remove the filter insert and clean it under running water. If stubborn residues are not removed, these can lead to faults over time.

Removing the filter insert

If the filter insert is clogged up and soiled, it must be removed and cleaned under running water.




- ① Use the handle to pull out the filter insert at an angle forward and to the right.



- ② Then pull the filter insert out at an angle.
- Rinse the filter surface of the insert under warm running water.

Wet lint filters could cause operational faults while drying. Shake the filter insert thoroughly and then dry it carefully.

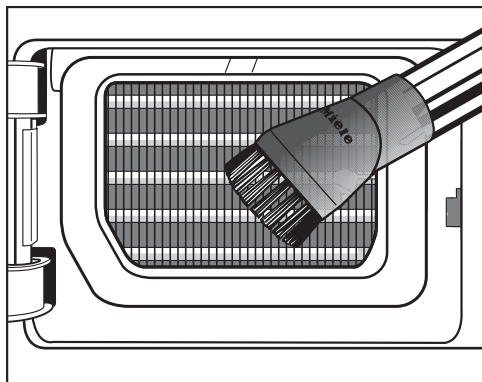
Checking the cooling fins on the heat exchanger

 **Sharp Edges** – To reduce the risk of injury, use care when cleaning the condenser or evaporator coil fins.


You could cut yourself.

Do not touch the cooling fins with your hands.

After removing the filter insert, visually check the cooling fins on the heat exchanger. Check for any accumulation of lint.



- If you notice any visible soiling, carefully vacuum it up with a vacuum cleaner. Use a dusting brush or the narrow crevice nozzle.

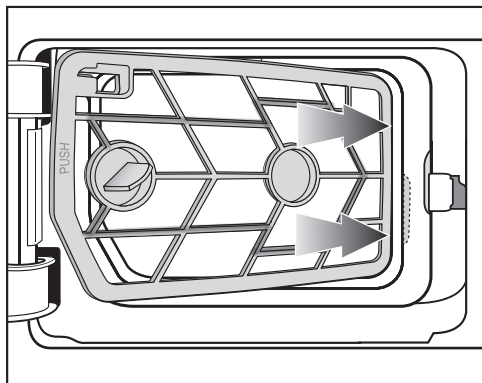
 **Risk of damage** if cooling fins are cleaned incorrectly.

The cooling fins can suffer damage or distortion. This could hinder the operational performance of the tumble dryer.

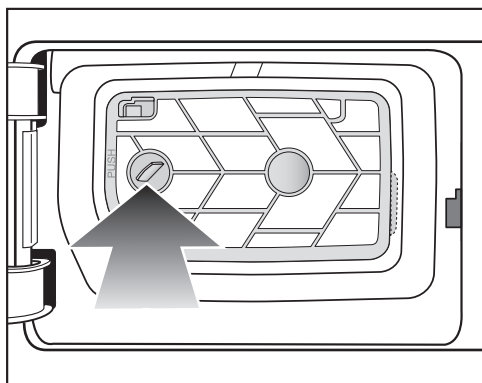
Clean using a vacuum cleaner with a dusting brush attached. Only pass the vacuum cleaner dusting brush over the heat-exchanger fins lightly, without applying any pressure.

Cleaning and care

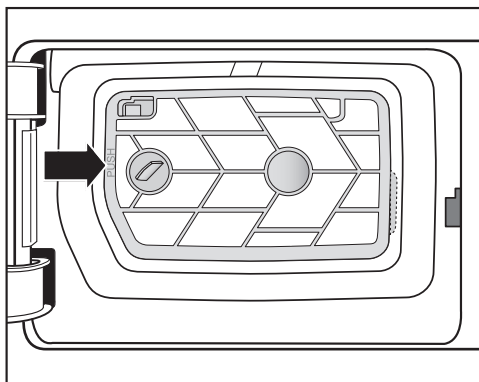
Reinstalling the filter insert (in the toe-kick)



- 1 Use the handle on the right to slide the filter insert at an angle behind the edge.

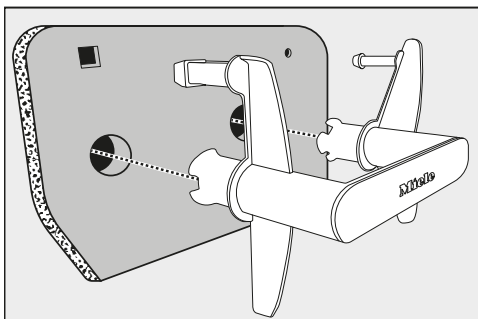


- 2 Then press on the left handle until the filter insert is secured in position.

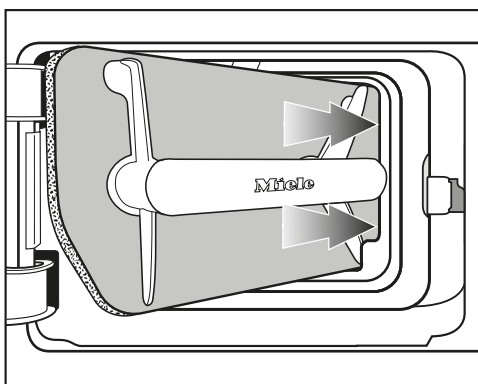


- 3 Press the frame of the filter insert in at the positions marked PUSH until it audibly engages.

Reinstalling the lint filter (in the toe-kick)

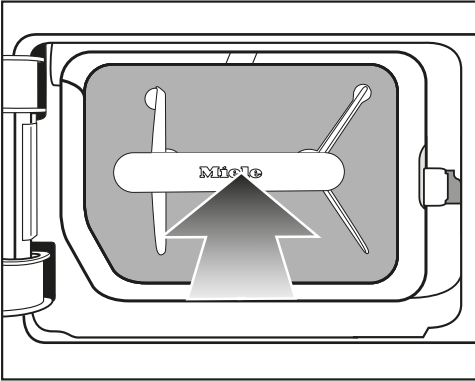


- Place the lint filter back on the handle. Make sure it is the correct way round.



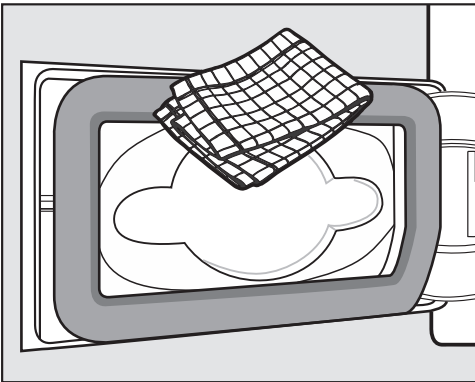
Cleaning and care

- 1 Use the handle on the right to slide the lint filter at an angle behind the edge.

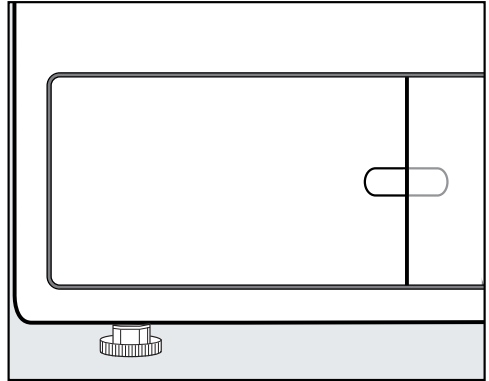


- 2 Then press on the handle until the lint filter is secured in position.

Cleaning and closing the lint-filter flap



- Use a damp cloth to remove any lint. Make sure that you do not damage the rubber seal when doing this.



- Close the lint-filter flap.

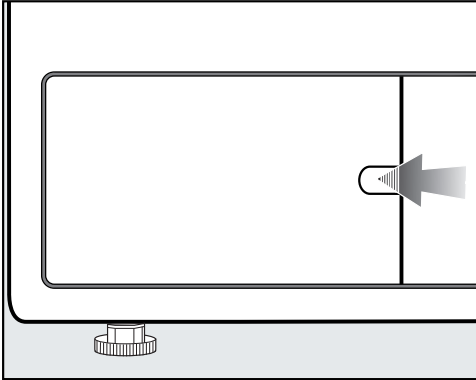
The toe-kick filter must be inserted and the lint-filter flap must be closed to ensure the system is correctly sealed and that the tumble dryer will function correctly.

Cleaning the bottom-right grille/heat exchanger

The heat exchanger's cooling fins behind the grille can become blocked with dust and dirt drawn in from the surrounding area.

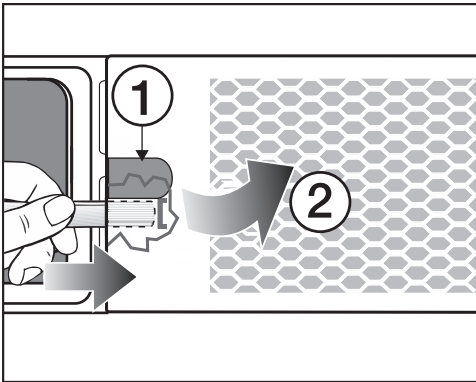
Cleaning and care

Removing the grille



- Open the lint-filter flap.

Open the bottom-right grille, e.g., using a spoon handle.



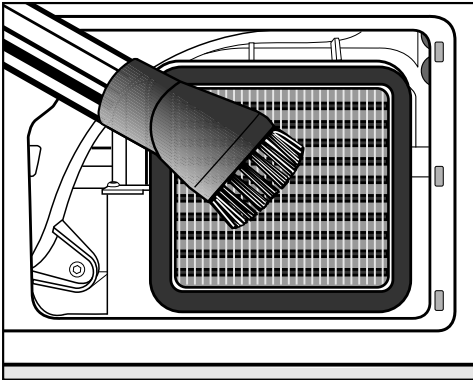
- Insert a spoon handle underneath the grille (under the recess ①).
- Press and lever the grille gently until it opens on the left-hand side ②.
- Open the grille from left to right and pull it off at an angle to the front.

Cleaning the cooling fins

- Check whether the cooling fins are clogged.

⚠ Sharp Edges – To reduce the risk of injury, use care when cleaning the condenser or evaporator coil fins. You could cut yourself. Do not touch the cooling fins with your hands.

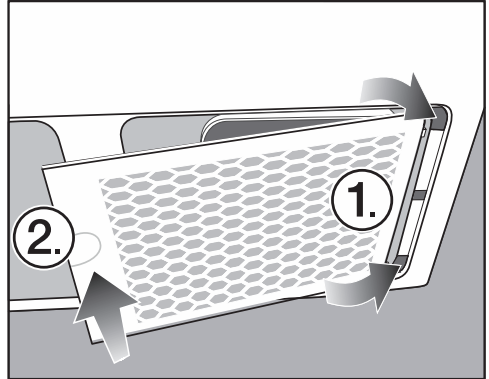
If there is visible soiling:



- Carefully vacuum up any visible lint or soiling. Use a dusting brush or the narrow crevice nozzle.

⚠ Risk of damage if cooling fins are cleaned incorrectly. The cooling fins can suffer damage or distortion. This could hinder the operational performance of the tumble dryer. Clean using a vacuum cleaner with a dusting brush attached. Only pass the vacuum cleaner dusting brush over the heat-exchanger fins lightly, without applying any pressure.

Replacing the grille



- Insert the grille on the right-hand side.
- Press the grille firmly on the left-hand side.

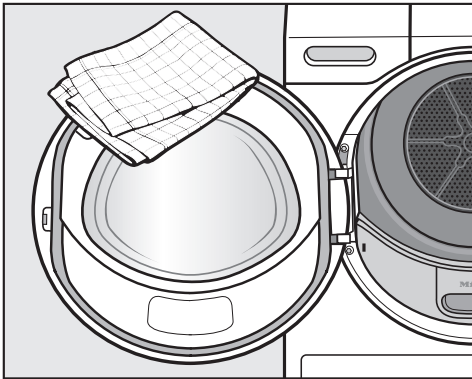
Cleaning and care

Cleaning the tumble dryer

Disconnect the tumble dryer from the electrical supply.

⚠ Damage caused by the use of unsuitable care products. Unsuitable care products could damage plastic surfaces and other parts. Do not use any solvents, abrasive cleaners, glass cleaners, or all-purpose cleaners.

⚠ Danger of electric shock caused by water. There is a risk of electric shock if water runs over or into the tumble dryer. Never spray the tumble dryer with water. Only ever clean the appliance with a slightly damp, soft cloth.



- The drum and other stainless steel parts can be cleaned with a suitable stainless steel cleaner.

- Clean the tumble dryer and the seal on the inside of the door with a slightly damp soft cloth, a mild solution of liquid dish soap, and water.
- Dry all the parts with a soft cloth.



Frequently asked questions

Many malfunctions and faults that can occur in daily operation can be easily remedied. You can save time and money in many cases, as you do not need to contact Miele Customer Service.


Information to help you rectify faults yourself can be found at www.miele.com/service.

The following tables are designed to help you to find the cause of a malfunction or a fault and to resolve it.




Program cancellation and fault message in the display

Message	Possible cause and solution
 The drum is empty or the laundry is too dry.	<p>In some programs, if the drum has been underloaded or is empty, the program will be canceled. This can also happen if the items are already dry. This is not a fault or a malfunction.</p> <ul style="list-style-type: none">■ Open the door and check the laundry.■ Add or remove laundry items.■ Close the door.■ Start a drying program. <p>Dry individual items using the <i>Time Dry</i> program.</p>
 Obstruction detected. Untangle laundry and restart.	<p>The laundry is unevenly distributed or has rolled up.</p> <ul style="list-style-type: none">■ Open the door and loosen the laundry. Take out some of the laundry.■ Close the door.■ Start a drying program.

Frequently asked questions


Message	Possible cause and solution
<p>  Rinse the lint filter and plinth filter. Check the airways. </p>	<p> You have attempted to dry only a few items of varying size. A smaller item has been sucked into the loading area in the door. It is clogging the holes in the laundry deflector. </p> <ul style="list-style-type: none"> ■ To delete the message: touch the OK sensor control. ■ Open the tumble-dryer door. ■ Remove the item that is blocking the holes. ■ Always dry small, individual items together with larger items. <p> If you are able to exclude all this, the system has been clogged by lint or detergent residue. </p> <p> The system has been clogged by lint or detergent residue. </p> <ul style="list-style-type: none"> ■ Clean all lint filters and air channels. ■ Check whether the lint filters in the loading area and toe-kick are free from damage and in good working order. ■ If you have removed the plinth filter, also check the filter insert behind it. Clean the filter insert if necessary. ■ If you have removed the filter insert, also check the heat exchanger behind it. Clean the heat exchanger if necessary. <p> Please see “Cleaning and care” for notes on cleaning. Lint filters that are damaged, misshapen, or can no longer be cleaned must be replaced with new ones. </p> <ul style="list-style-type: none"> ■ To delete the message: touch the OK sensor control.

Frequently asked questions

Message	Possible cause and solution
 Rinse the lint filter and plinth filter. Check the airways.	<p>The plinth filter looks clean after thorough cleaning. However, the program is canceled and the fault message appears again. The reason for this is that there is still underlying residue that cannot be removed.</p> <ul style="list-style-type: none"> ■ To delete the message: touch the OK sensor control. ■ Replace the plinth filter with a new one. ■ You can reactivate the removed, “old” plinth filter in the washing machine. Follow the instructions described in “Frequently Asked Questions” – “Reactivating the plinth filter”.
 Check water drain	<p>The condensate drain is faulty.</p> <ul style="list-style-type: none"> ■ Check that the drain hose is in good working order and is not bent. ■ To delete the message: open and close the door while the tumble dryer is switched on.
 Fault F. If restart fails, contact Service.	<p>There is no obvious cause for the cancellation of the program.</p> <ul style="list-style-type: none"> ■ Note the prompt in the display. ■ Touch the OK sensor control. ■ Start a drying program. <p>If the program terminates again with the same fault message, then there is a fault. Contact Miele Customer Service.</p>

Frequently asked questions

Messages in the display

Message	Possible cause and solution
<p>i Open bottom right grille, clean the heat exchanger</p>	<p>The heat exchanger's cooling fins behind the grille can become blocked with dust and dirt drawn in from the surrounding area and the airways can become blocked with lint.</p> <ul style="list-style-type: none"> ■ Clean the heat exchanger. See "Bottom-right grille/heat exchanger" in "Cleaning and care". ■ Check and clean the filters in the loading area and in the toe-kick. ■ To delete the message: touch the OK sensor control.
<p>i Clean the lint filter and rinse the plinth filter</p>	<p>This information is displayed at the end of the program if the tumble dryer is not working correctly or economically.</p> <p>The lint filters may be clogged.</p> <ul style="list-style-type: none"> ■ Normally, all you have to do is clean the lint filters. ■ Also check the plinth filter and clean it if necessary. ■ If you have removed the plinth filter, also check the filter insert behind it. Clean the filter insert if necessary. <p>Please see "Cleaning and care" for notes on cleaning.</p> <ul style="list-style-type: none"> ■ To delete the message: touch the OK sensor control.
<p> Plinth filter not fitted. Please fit it.</p>	<p>The toe-kick filter has not been inserted.</p> <ul style="list-style-type: none"> ■ Check the filter in the toe-kick. <hr/> <p>Removing the filter during a drying program will result in the program being canceled.</p>
<p>i Power outage. Program stopped</p>	<p>There has been a power outage.</p> <ul style="list-style-type: none"> ■ When power is restored, confirm with OK. ■ Touch the <i>Start/Stop</i> sensor control.
<p>Finish/Cooling down</p>	<p>There is no fault, but the drying process continues. The laundry is still being cooled. The program is just about to end.</p> <ul style="list-style-type: none"> ■ You can remove the laundry and spread it out to cool down or leave it in the tumble dryer to cool down until the end of the program.

Unsatisfactory drying results

Problem	Possible cause and solution
The laundry is not sufficiently dry.	<p>The load consisted of different types of fabric.</p> <ul style="list-style-type: none"> ■ Finish drying using the <i>Timed drying warm air</i> program.
Large items of laundry have rolled up, causing a problem. The individual items of laundry are still damp.	<p>The laundry could not be untangled in the program you selected. Smaller items have rolled up into one.</p> <ul style="list-style-type: none"> ■ Untangle the laundry. ■ Select the <i>Large items</i> program.
	<p>If the <i>Large items</i> program does not appear in the display for selection, you can activate it later.</p> <p>How to activate a program later is described in “Supervisor level” – “Opening the Supervisor level” and “Program selection/Program packages”.</p>
The laundry or feather-filled pillows develop a smell after drying.	<p>The laundry was washed with insufficient detergent. Feathers have a tendency of developing a strong odor when they are warm.</p> <ul style="list-style-type: none"> ■ Laundry: Use sufficient detergent. ■ Pillows: Take out of the tumble dryer and air them.
Items made of synthetic fibers are charged with static electricity after drying.	<p>Synthetic fibers tend to attract static charge.</p> <ul style="list-style-type: none"> ■ Static charge can be reduced by adding a fabric softener to the final rinse in the washing program.
Lint is caused by tumble drying.	<p>Lint is principally the result of friction when garments are being worn and to some extent when they are being washed. Machine drying hardly causes any lint to form.</p> <p>Lint is collected by the lint filters and fine filter and can be easily removed.</p> <ul style="list-style-type: none"> ■ See “Cleaning and care”.


Frequently asked questions

The drying-cycle duration is very long

Problem	Possible cause and solution
The drying process goes on too long or even switches off*.	The room where the tumble dryer is located is too warm. ■ Ventilate the room thoroughly.
	Detergent residue, hair, and fine lint can clog the filters. ■ Clean the lint filters and the filter in the toe-kick. See “Cleaning and care” for an in-depth description. ■ If you have removed the plinth filter, also check the filter insert behind it. Clean it if necessary. ■ If you have removed the filter insert, also check the heat exchanger behind it. Clean it if necessary.
	The cooling fins behind the bottom-right grille are soiled. ■ Clean as described in “Bottom-right grille/airways” under “Cleaning and care”.
	The laundry is too damp. ■ Spin using a higher spin speed in the washing machine.
	The drum is too full. ■ Do not exceed the maximum load for the program selected.
	Metallic components, e.g., zippers, have prevented the dryer from registering the correct moisture level. ■ Open the zippers next time. ■ If the problem recurs, dry these items using the <i>Timed drying warm air</i> program.

* Switch the tumble dryer off and on again before starting a new program.

General problems with the tumble dryer

Problem	Possible cause and solution
You can hear buzzing or humming operating noises.	This is not a fault. The compressor (heat pump) is operating. These noises are quite normal and can be heard when the compressor is operating.
The drum lighting does not come on.	The drum lighting switches off automatically when the door is closed. To save energy, the drum lighting will switch off after a few minutes if the door is left open for an extended period. The drum lighting will come on when the door is opened if the tumble dryer is switched on.
The display is in a different language.	A different language has been selected. ■ Set the language you want. The flag symbol  will guide you.

Frequently asked questions

Reactivating the plinth filter

You can reactivate one or more dirty plinth filters in the washing machine. You will then be able to use the plinth filter again for a reasonable period of time.

- Wash the plinth filter(s) separately, not with any laundry items. Do not add any detergent.

Tip: Select a short wash program with a maximum temperature of 104°F (40°C) and a maximum spin speed of 600 rpm.

- Select the *Separate Rinse* program, for example.

You can re-insert the plinth filter once the wash and spin cycle is complete. You can continue to use a reactivated plinth filter provided that it does not show any signs of wear.

You must stop using a reactivated plinth filter if it shows signs of wear or deformation.
Please see “Cleaning and care – Replacing the plinth filter” for details.

Contact in the event of a fault

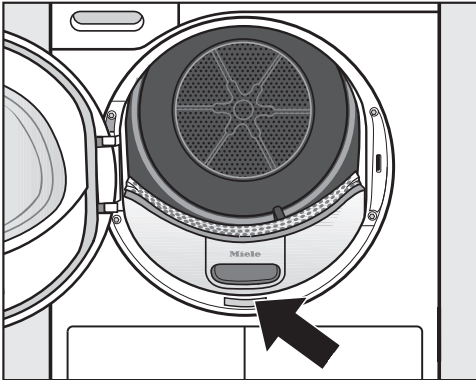
In the event of a fault which you cannot remedy yourself, please contact your Miele dealer or Miele Customer Service.

You can book a Miele Service Call online at www.miele.com/service.

Contact information for Miele Customer Service can be found at the end of this document.

Please quote the model identifier and serial number of your appliance (SN) when contacting Miele Customer Service. Both pieces of information can be found on the data plate.

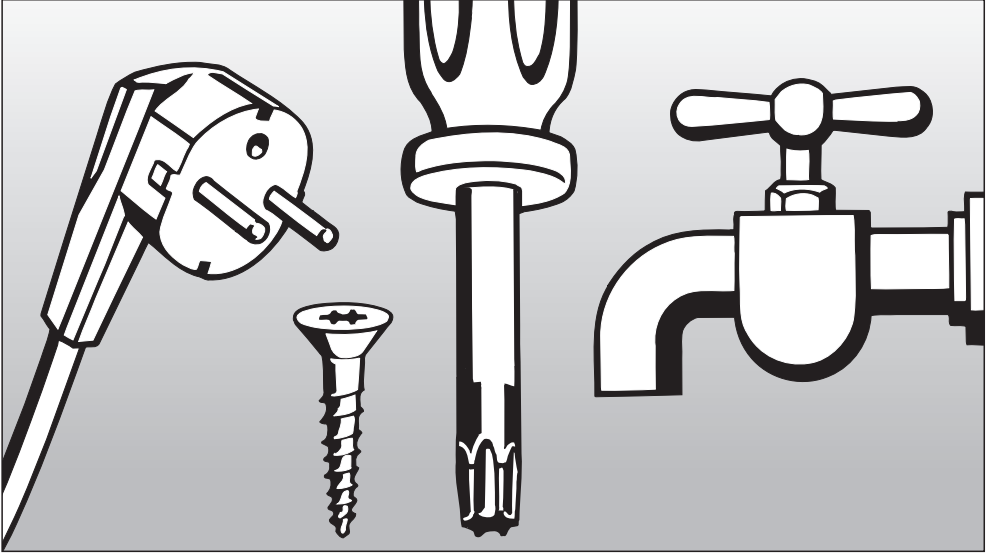
Open the door of your tumble dryer to find the data tag:



Optional accessories

Optional accessories for this tumble dryer are available from your Miele dealer or Miele Technical Service.

Installation instructions



Alteration rights reserved.

Visit our website for all the current product specifications, technical appliance information, and warranty information.

To avoid accidents or damage to the appliance, please read these instructions before installing and/or using it.

IMPORTANT SAFETY INSTRUCTIONS

WARNING - Risk of Fire

- ▶ To reduce the risk of severe injury or death, follow all installation instructions.
- ▶ Clothes dryer installation must be performed by a qualified installer.
- ▶ Install the clothes dryer according to the manufacturer's instructions and local codes.
- ▶ Repair and maintenance work should be performed by a Miele authorized service technician. Work by unqualified persons could be dangerous and could void the warranty.
- ▶ Before installation, disconnect the tumble dryer from the electrical supply by shutting off the power main, unplugging the power cord or tripping the circuit breaker. Do not restore power until the installation is complete.

▶ **GROUNDING INSTRUCTIONS**

This appliance must be grounded. In the event of malfunction or breakdown, grounding will reduce the risk of electric shock by providing a path of least resistance for electric current. This appliance is equipped with a cord having an equipment grounding conductor and a grounding plug. The plug must be plugged into an appropriate outlet that is properly installed and grounded in accordance with all local codes and ordinances.

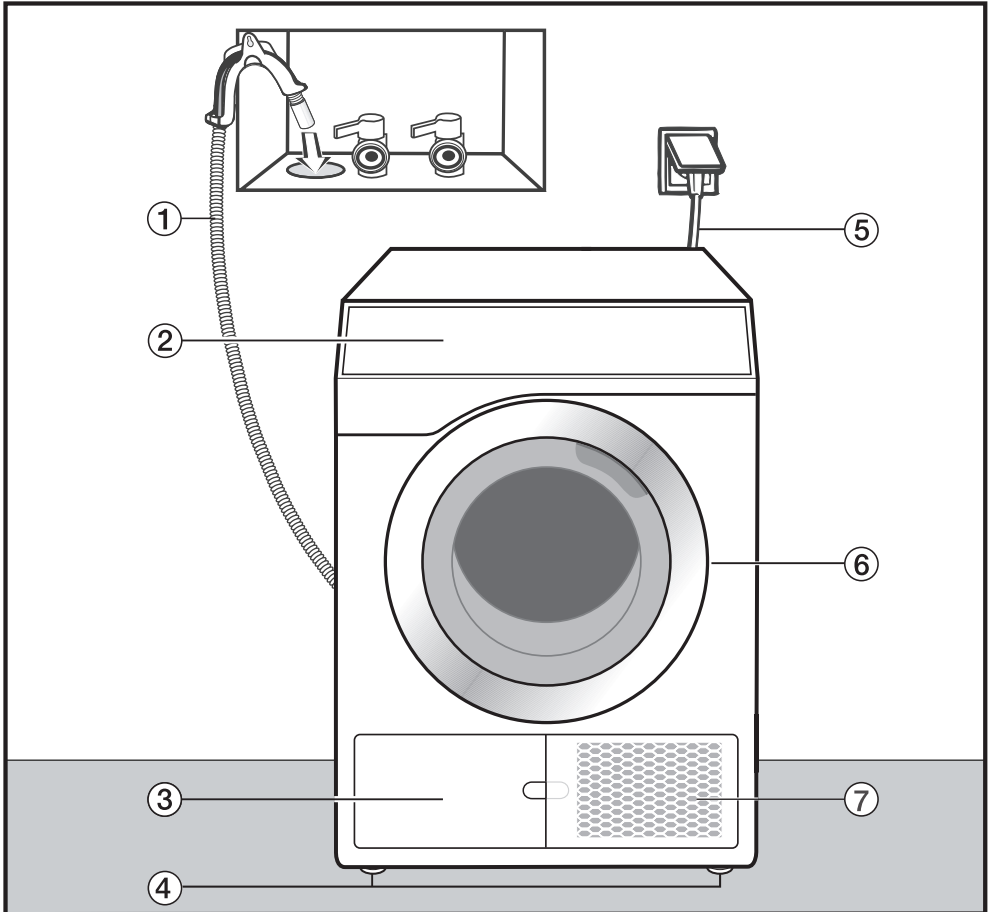
- ▶ **WARNING** – Improper connection of the equipment-grounding conductor can result in a risk of electric shock. Contact a qualified electrician if you are in doubt as to whether the appliance is properly grounded.
- ▶ Do not modify the plug provided with the appliance: if it will not fit the outlet, have a proper outlet installed by a qualified electrician.
- ▶ Do not use an extension cord to connect this appliance to the power supply. Extension cords do not guarantee the required safety of the appliance (e.g. danger of overheating).

IMPORTANT SAFETY INSTRUCTIONS

- ▶ The installation of this unit in non stationary locations (e.g. ships) must be performed by a qualified installer or service agency, in strict accordance with national and local safety regulations and standards.
- ▶ Do not install the machine in rooms where temperatures below freezing may occur.
- ▶ This dryer is not intended for wall-insert.
- ▶ If there is any doubt concerning installation, contact Miele's Technical Service Department.
1-800-999-1360 TechService@mieleusa.com

SAVE THESE INSTRUCTIONS

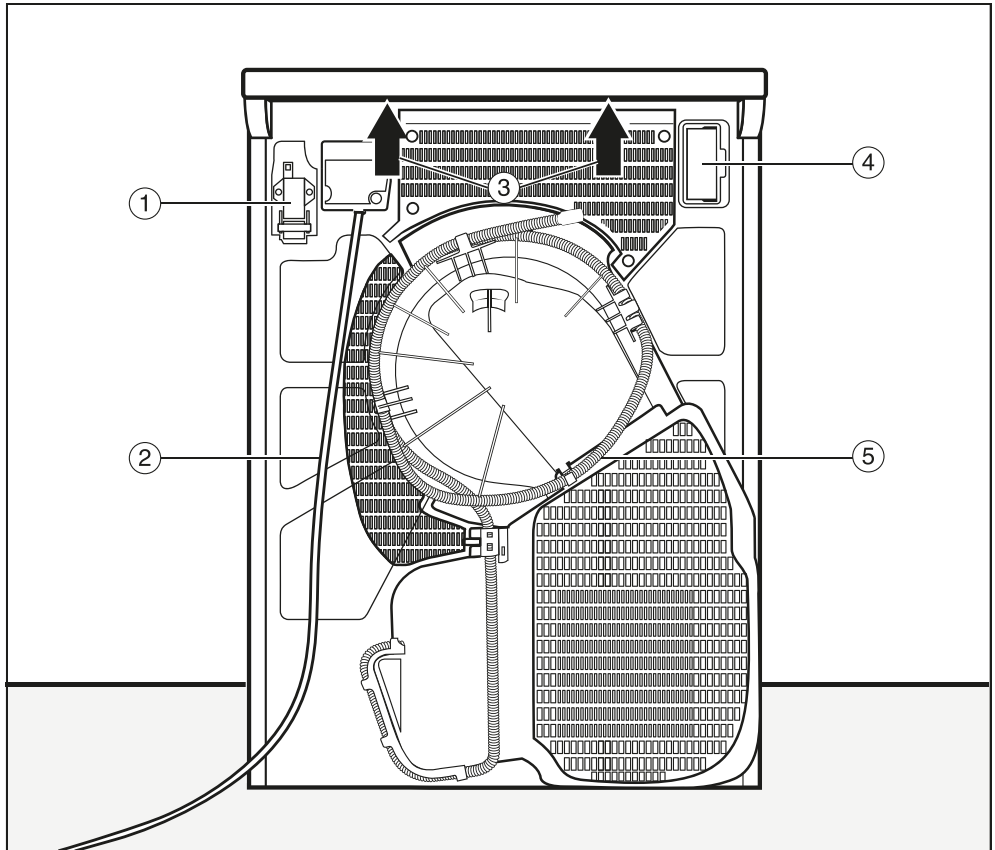
Front view



- | | |
|---|---|
| ① Drain hose for condensed water | ⑤ Power cord |
| ② Control panel | ⑥ Door |
| ③ Lint-filter flap for the filter in the toe-kick
– (open only when a prompt appears in the display) | ⑦ Bottom-right grille = Air-cooling opening
– (open only when a prompt appears in the display) |
| ④ 4 height-adjustable screw feet | |

Installation and connection

Rear view



- ① Interface for communicating with external appliances
- ② Power cord
- ③ Recesses under the protruding lid for transporting the appliance
- ④ Module slot (for external communication module)
- ⑤ Drain hose for condensed water

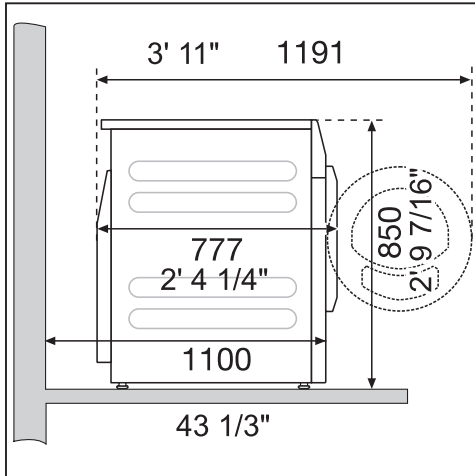
Installation and connection

Installation locations

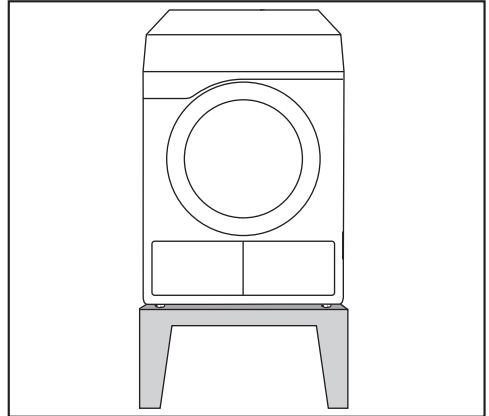
All measurements are in inch (mm).

The distances between the machine and the wall are recommendations to help make it easier to carry out service work. If installation space is limited, the machine can also be pushed up against the wall.

Side view

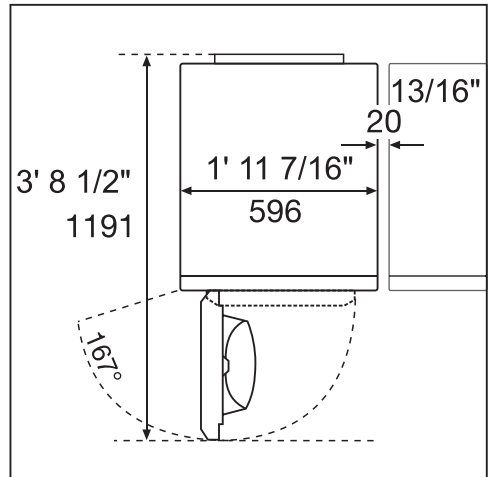


Steel toe-kick




Steel toe-kick* (open or closed bases, e.g. APCL 002, APCL 003, APCL 005, APCL 007, APCL 011 or APCL 012)

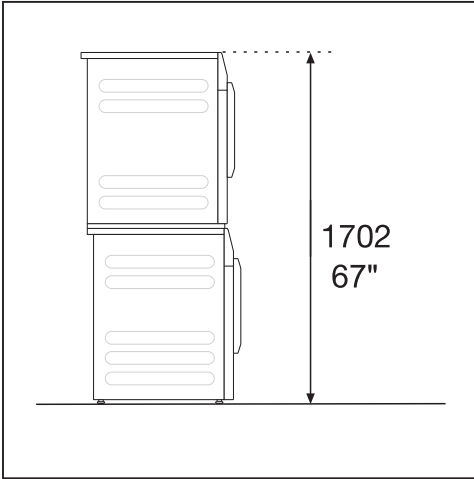
View from above



Washer-dryer stack

 Installing the washer-dryer stack on a Miele Plinth is not permitted.


Installation and connection



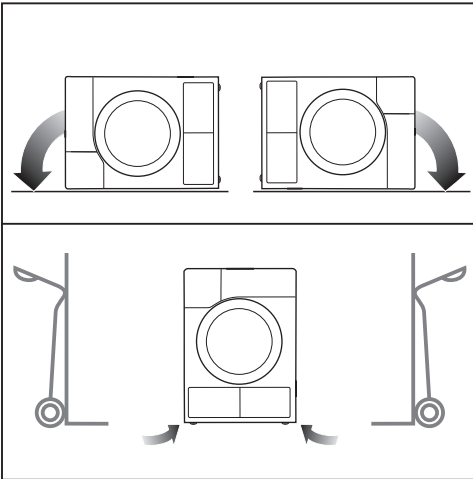
A stacking kit* is required. This must be installed by a service technician authorized by Miele.

* Miele accessory available to order

Transporting the tumble dryer to its installation site

 Damage caused by incorrect transportation of the tumble dryer. If the tumble dryer tips over, there is a danger of injury to people and damage to property. Ensure that the tumble dryer is stable during transportation.

Transporting the tumble dryer



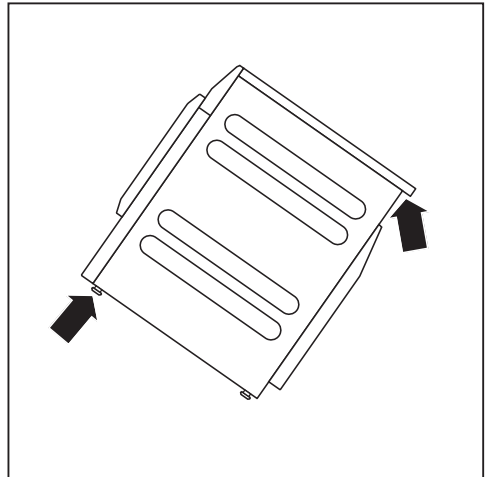
- If the tumble dryer is being transported on its side, it must be tipped onto its left or right side.
- If the tumble dryer is being transported upright, always transport it on a sack truck with its left or right side resting on the truck.

Transporting the tumble dryer to its installation site

 Danger of injury due to unsecure lid.

The fixings at the back of the lid may become brittle due to external circumstances. There is a danger of the lid being pulled off when carrying the appliance.

Before carrying the appliance, check that the lid is secure where it protrudes at the back of the appliance.




- Carry the tumble dryer by the front feet and by the lid where it protrudes at the back of the appliance.

Installation and connection

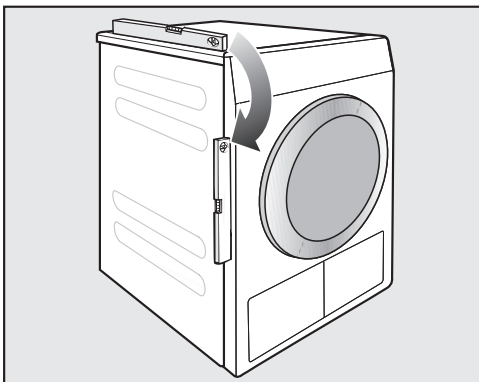
Installation

Ensure that no closeable door, sliding door, or an oppositely hinged door is installed that would hinder the door of the dryer being opened in any way.

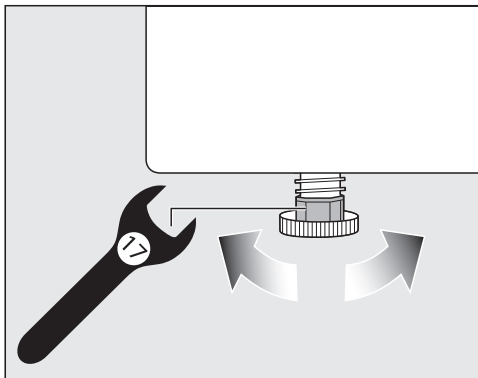
Downtime after installation

 Damage caused by switching the appliance on too soon. This can damage the heat pump. After setting up the tumble dryer, wait for at least one hour before switching it on.

Leveling the tumble dryer



The tumble dryer must stand perfectly level to ensure safe and proper operation.



The screw feet can be adjusted to compensate for unevenness in the floor.

This tumble dryer is not suitable for building under.

WARNING:

Never block the ventilation slots on the tumble dryer. Do not block the gap between the bottom of the tumble dryer and the floor with toe-kicks, deep pile carpet, etc. This would hinder a sufficient flow of air to the tumble dryer.

Room ventilation

- Air drawn in for use in the drying process will be warm when it is expelled back into the room. You must therefore ensure that the room is sufficiently ventilated, particularly if the dryer is located in a small room.
- Make sure that the room temperature is not too high. If there are other heat-producing appliances in the room in which the dryer is located, make sure the room is well ventilated and switch the other appliances off.

Otherwise running times and energy consumption could be increased.

External control equipment

An optional accessory unit has to be purchased to set up a connection with external systems:

- XCI box communication module (e.g., for peak load control units or payment systems)
- XCI-AD communication adapter (for payment systems only)

Payment system

This tumble dryer can be equipped with a payment system (optional Miele accessory). Therefore Miele Service needs to program a setting in the dryer's electronic and connect the payment system.

Coins/tokens must be removed from the coin box regularly. Otherwise, the payment system will become blocked.
--

Installation and connection

Drain hose for condensed water

The condensed water is pumped away through the drain hose which is located at the back of the dryer.

Laying the drain hose

! Damage to the drain hose due to incorrect handling.

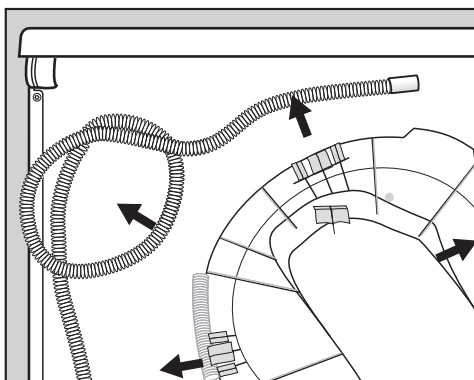
The drain hose can suffer damage and leak.

Do not pull on the drain hose and do not stretch it or allow it to become kinked.

Tip: Use the bow-shaped guide to prevent the drain hose from becoming kinked.

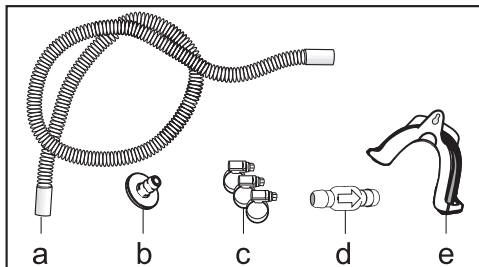
Drain-hose length: 5 1/8" (1400 mm)

Drain height: 39 3/8" (1000 mm)



■ Pull the drain hose out of the clips.

Abpumpzubehör, beiliegend



- a. Schlauchverlängerung
- b. Adapter
- c. Schlauchschellen
- d. Rückschlagventil
- e. Schlauchhalter

Inserting the drain hose into a standpipe

■ Insert the end of the drain hose into the standpipe.

! Risk of damage from leaking water.

Should the end of the hose come loose, overflowing water can cause damage.


Secure the drain hose carefully (e.g., by tying it) to make sure it cannot slip.

Electrical connection

This description applies to tumble dryers both with and without an electrical plug.

The following applies to tumble dryers with an electrical plug:

- This tumble dryer is supplied with a power cord and plug ready for connection.
- The electrical socket must be easily accessible so that the tumble dryer can be disconnected from the electricity supply.

 **Damage caused by incorrect supply voltage.**

The data tag indicates the nominal power consumption and the appropriate fuse rating.

Compare the specifications on the data tag with those of the domestic electrical supply and make sure that they match.

The washing machine may only be connected to a permanent electrical system that conforms to the national and local codes and regulations.

The tumble dryer should never be connected by an extension cable, e.g., power strips, to avoid the risk of fire.

If the machine is hard-wired, a dual circuit breaker must be provided on-site. When switched off there must be an all-pole contact gap of at least 3 mm in the isolator switch (including circuit breakers, breakers, and relays according to IEC/EN 60947). This connection process must be performed by a qualified electrician.

The plug connector or isolator switch should be easily accessible at all times.

 **Risk of electric shock.**

If the tumble dryer is disconnected from the electrical supply, protective measures must be taken to ensure that the point of disconnection cannot accidentally be switched on again.

Make sure the isolator is lockable or the point of disconnection is monitored at all times.

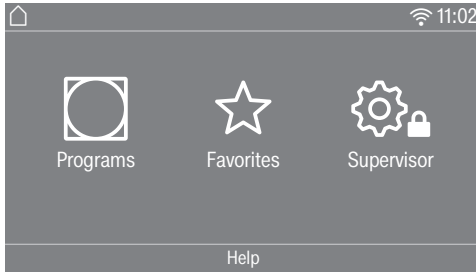
New connections, modifications to the system, or servicing of the ground conductor, including determining the correct fuse rating, must be carried out by a qualified electrician, as they are familiar with the pertinent regulations and the specific requirements of the electric utility company.


The tumble dryer must not be connected to devices such as timers which would switch it off automatically.

Technical data

Height	2' 9 7/16" (850 mm)
Width	1' 11 7/16" (596 mm)
Width (only for appliances with a stainless steel lid)	1' 11 13/16" (605 mm)
Depth	2' 3 9/16" (777 mm)
Depth with door open	3' 10 7/8" (1191 mm)
Weight	165 lb (75 kg)
Drum volume	34.3 gal (130 l)
Load quantity	17.6 lb (8 kg) (weight of dry laundry)
Hose length	4' 7 1/8" (1400 mm)
Wire length	6' 6 3/4" (2000 mm)
Connection voltage	See data tag on back of machine
Rated load	See data tag on back of machine
Fuse rating	See data tag on back of machine
Test certificates awarded	See data tag on back of machine
LEDs	Class 1
Designation of refrigerant	R134a
Refrigerant quantity	0.61 kg
Refrigerant global-warming potential	1430 kg CO ₂ e
Appliance global-warming potential	872 kg CO ₂ e
Max. floor load during operation	925 N
A-rated sound emissions L _{pA} in accordance with EN ISO 11204/11203	< 70 dB re 20 μPa
Frequency range	2.4000–2.4835 GHz
Maximum transmission power	< 100 mW

Opening the supervisor level



Touching the  sensor control takes you to the supervisor level.

Access via code

The supervisor level is accessed using a code.

Factory default: The code is **000**.

Change code

You can alter the supervisor-level access code to protect the tumble dryer from unauthorized access.

Carefully enter a new code.
Please inform Technical Service if you have forgotten your new code. Technical Service will have to reset the code.
Make a note of your new code and store it in a safe place.

Demo program

In showrooms, a demo program can be started with a simulation.

A program does not start. The operational sequence is simply a simulation.

Tip: The demo program will only be available if a drying program lasting more than 1 hour has not been carried out. After this, the demo program will not be available.

Closing the settings menu

■ Touch the  sensor control.

The display will then go back to the previous menu level.

■ Touch the  sensor control.


The display will change to the main menu.

Controls / Display

Language

The display can be set to appear in one of several different languages. To select the language you want, go to the *Languages* sub-menu.

You can change the language as follows:

- Permanently using the supervisor level (= "Supervisor language").
- For the duration of the current program only using the  sensor control. The supervisor language is displayed again at the end of the program.


Supervisor level

Language entry


The display can be set to one of several different user languages. This setting allows you to determine how languages can be selected.

You can change the language as follows:

International


6 languages are available. The  sensor control is not active. Note the setting *Set languages*.

Language setting

The  sensor control can be used to select a language. All languages are available (factory default).

You can change the order of the first 4 languages. These slots are allocated to the most commonly used languages.

Standard language

The user language cannot be changed. The user language is the same as the supervisor language. The  sensor control is not active.

Set languages

The languages for the setting Language entry International can be changed.

6 languages can be selected. All languages are available.

If you wish to add a new language to the language menu:

- First select the language you want to replace.

All available languages are displayed.

- Select and confirm the language to replace the previous language.

The new language appears instead of the old one.

Display brightness

The brightness of the display can be altered. The setting depends on the various lighting conditions in the place of installation.

- It can be set to one of 10 different levels.

Clock display

After selecting the clock format, you can set the time of day.

Clock format

- Factory default: 24-hour display
- 12-hour display
- No clock

Set

- The time can be set.

Date

The date can be set after selecting the date format.

- Date format

The date can be shown starting with the day, month, or year.

- Date

The date is set.

Volume

The volume for various sounds can be changed.

The volume can be changed.

- Finish tone
- Keypad tone
- Welcome tone
- Fault alarm

The volume cannot be changed here.

Res. moisture display

In addition to displaying the drying level, the residual moisture can also be indicated as a percentage.

- Factory default: without percentages
- With percentages

Visibility parameters

Various parameters are offered/ displayed when a program is selected. You can decide which parameters should not be displayed. These parameters can then not be edited during program selection.

- Residual moisture
- Duration (only timed programs)
- Load size
- Gentle tumble
- Anti-crease

Supervisor level

Display off status

The display switches off to save energy; only the *Start/Stop* sensor control flashes slowly. You can change this setting.

Changing this setting leads to increased energy consumption.

- *Off*
No switching off
- *On (10 min.) Not curr.prog.*
The display will remain on while the program is running but will go out 10 minutes after the end of the program.
- *Logo (10 min.) Not curr.prog.*
The display will remain on while the program is running but the logo will light up 10 minutes after the end of the program.
- *Factory default: On after 10 min.*
The display is switched off after 10 minutes.
- *On (30 min.) Not curr.prog.*
The display will remain on while the program is running but will go out 30 minutes after the end of the program.
- *Logo (30 min.) Not curr.prog.*
The display will remain on while the program is running but the logo lights up 30 minutes after the end of the program.
- *On after 30 min.*
The display will go out after 30 minutes.

Machine off status

In order to save energy, the tumble dryer will switch off automatically after the end of the program or if no further selection is made. You can change this setting.

Changing this setting leads to increased energy consumption.

- No switch off
- *Factory default: Switch off after 15 minutes*
- *Switch off after 20 minutes*
- *Switch off after 30 minutes*

Delay start

The delay start (timer) can be activated or deactivated.

- *Factory default: Off*
- *On*

SmartStart

The function to delay start changes when the *SmartGrid* setting is activated. The period of time in which the drying program will start automatically is then shown in the display: *SmartStart by*, *SmartStart in*, or *SmartFinish by*.

The program is started via an external signal.

The time period can be defined up to 24 hours. During this period, the tumble dryer waits for an external signal. If no signal is sent during the defined period, the tumble dryer starts the drying program once the defined period of time has elapsed.

Memory

The tumble dryer saves the settings that were selected last for a drying program (drying level and/or extra option, or the duration for some programs).

- Factory default: Off
- On

Temperature unit

You can select the unit for the temperature display.

- Factory default: °C / *Celsius*
- °F / *Fahrenheit*

Weight unit

You can decide whether load quantities are displayed in “kg” or “lb”.

- Factory default: kg
- lb

Logo

You can choose whether the “Miele Professional” logo or your own logo appears in the display.

For the Controls setting, the Laundromat Logo, Laundromat Logo int. time, or Laundromat Logo ext. time option must be selected.

- Miele Professional logo
- Customer logo
- Marine logo

Supervisor code

You can alter the access code to the supervisor level.

- Enter the existing code.
- Enter a new code.

Supervisor level

Program selection

Controls

You can select whether the tumble dryer is operated as a “laundromat” machine. Shortcuts are the easiest way to operate the machine. Operating staff are unable to change pre-set programs.

Tip: Start by configuring all necessary settings and changes to the tumble dryer before adjusting any of the options below.

Caution: When activating any of these options, the supervisor level will no longer be available. You will no longer be able to access the supervisor level via the display. Please follow the instructions below if you wish to change any other settings.

Opening the supervisor level (laundromat version)

- Switch the tumble dryer on and open the dryer door.
- ① Touch the *Start/Stop* sensor control and hold it down while carrying out steps ②–③.
- ② Close the tumble-dryer door.
- ③ Wait until the *Start/Stop* sensor control, which will now be flashing quickly, lights up constantly ...
- ④ ... and then release the *Start/Stop* sensor control.

- *Standard*

Factory default: all (selected) programs are available.

- *Laundromat, basic*

12 programs are available.

Under *Favorite programs*, you can set which or how many programs can be selected/modified.

- *Laundromat Logo*

12 programs are available.

Under *Favorite programs*, you can set which or how many programs can be selected/modified.

The first 3 programs can be selected directly. The remaining programs are selected via another list.

- *Laundromat Logo ext. time*

4 time programs* with different temperature levels are time-controlled via an external payment system. The maximum laundry weight is 17.6 lb (8 kg) kg.

The set value indicates the program duration and cannot be modified by the user.

This option is only available with an external payment system.

* The maximum program duration is specified during initial commissioning.

- *Laundromat Logo int. time*

4 time programs* with different temperature levels are time-controlled via the tumble dryer's electronic. The maximum laundry weight is 17.6 lb (8 kg) kg.

The set value indicates the maximum program duration and can be modified by the user.

* The maximum program duration is specified during initial commissioning.

- *External prog. selection*

A communication module can be used to select the program from an external terminal.

Program packages

This allows you to specify the scope of the tumble dryer's program. You can select all of the programs or individual programs from the relevant program packages.

The program packages are described in detail under "Program overview".

Favorite programs

After switching on, you can also select a program via: ☆ Favorites. 12 programs can be stored as favorites based on your own priorities and requirements.

These favorite programs will also be made available in the

- *Laundromat Logo*
- *Laundromat, basic control options.*

You can specify the control option under *Controls*.

Tip: You can assign a different color to each program. In this case, the Program color allocation setting must be set to *On*.

Changing Favorite programs

- Select the program you wish to change or replace.
- Confirm the program or the setting to be changed.

Another menu opens, enabling you to select a new program or change the parameters.

- Confirm with the *Save sensor control*.

Your selection is now active.

Supervisor level

Reducing the number of Favorite programs

You can reduce the number of Favorite programs by “deactivating” each one individually.

- Select the program you wish to deactivate.
- Confirm the program.
- Select <empty> from the list instead of a program.

The selection in the ☆ Favorites and the selection in the Laundromat, basic and Laundromat Logo control option is reduced.

Once a program has been deactivated, ∅ <empty> is displayed in its place. You can add a program back in at any time.

The number of favourite programmes can be reduced to 0 if you you "deactivate" all the programs. In this case, the selection ☆ Favorites in the main menu is no longer displayed.

Do not reduce the number of favourites to 0 if you subsequently want to set one of these control options: Laundromat Logo Laundromat, basic. Otherwise no programme selection possible.

Changing the sequence of Favorite programs

You can change the sequence of Favorite programs by moving the programs around.

- Touch the program that you wish to move.

An orange border appears around the selected program.

- Touch the program with your finger and keep your finger pressed down.
- Drag the program to the required place.

Special programs

You can put together 5 special residual-moisture or time-controlled programs and assign your own program names.

First, enter the program name.

- Select the special program you want to change.

The Save as menu opens.

- Use the letters and symbols below the line to enter the name.
- Touch the Save sensor control.

You can now enter the parameters for a ∅ Res. moisture program or ☺ Timed drying.

The 5 special programs are pre-programmed at the factory. You can change these special programs.

The special programs are added to the program packages. Enter the name and settings of your special program into the “Special programs” table in the “Program overview” chapter.

Res. moisture program

- Final residual moisture:
 - 6% (dry) – 40% (damp)
- Extra drying time:
 - 0–60 minutes
- Temperature (Process air):
 - cold – 158°F (70°C)
- Drum rotation main direction:
 - 0–600 seconds
- Drum reversal:
 - 0–600 seconds
- Holding phase
 - Holding time:
 - 0–60 minutes
 - Holding temperature (Process air):
 - cold – 158°F (70°C)
- Cooling down temp. (Process air):
 - 104-131°F (40–55°C)
- Anti-crease
 - Drum rotation main direction:
 - 0–500 seconds
 - Drum reversal:
 - 0–500 seconds
 - Pause:
 - 100–3000 seconds

- Anti-crease
 - Drum rotation main direction:
 - 0–500 seconds
 - Drum reversal:
 - 0–500 seconds
 - Pause:
 - 100–3000 seconds

Timed drying

- Running time:
 - 1–120 minutes
- Temperature (Process air):
 - cold – 158°F (70°C)
- Drum rotation main direction:
 - 0–600 seconds
- Drum reversal:
 - 0–600 seconds
- Cooling down temp. (Process air):
 - 104-131°F (40–55°C)

Supervisor level

Sort programs

Programs can be moved within the program list and in the Favorites list.

- Factory default: Off
- On
- Select the “On” option.
- Exit Supervisor level.
- Select Programs.
- Touch the program that you wish to move.

An orange border appears around the selected program.

- Touch the program with your finger and keep your finger pressed down.
- Drag the program to the required place.

Program color allocation

You can assign a specific color to a favorite program. In the list of favorites, each favorite program is given a colored frame, which can be adjusted.

- Factory default: Off
- On

Process technology

Anti-crease

At the end of the program, the drum will continue to rotate at intervals if the laundry is not removed immediately.

Changing this setting leads to increased energy consumption.

The setting (⌘) can be switched off or a time between 1 and 12 hours can be selected.

Factory default: Off

Drying levels

Changing this setting leads to increased energy consumption.

You can alter the drying levels for the *Cottons*, *Minimum iron*, and *Automatic plus* programs.

It can be set to one of 7 different levels.

Factory default: Normal

The *Machine iron* drying level in the *Cottons* program can be individually adapted.

You can change the residual moisture in this program to one of 11 levels from 16% (more dry) to 26% (more moist).

Factory default: 20%

Service

Clean out the airways

The tumble dryer's electronic calculates the degree at which lint or detergent residue in the lint filters and air ducts are impairing performance. A message to check the contamination appears. You can decide at what level of lint this reminder should be emitted.

This prompt, which you can configure, is displayed: Clean the lint filter and rinse the . plinth filter

- Off
The reminder does not appear. However, if there is a very severe blockage in the ducting, the program will be canceled and the reminder will appear in the display regardless of this option.
- Heavy
The reminder only appears when there is a heavy build-up of lint.
- Factory default: normal
- Sensitive
The reminder appears when there is only a small build-up of lint.

Service interval

The tumble dryer shows a custom message at a selected interval to prompt you to undertake specific maintenance tasks.

3 different messages can be created: 1/2/3. Each message is created in the language and alphabet of the current supervisor language.

Your message is displayed at the end of the program and can be acknowledged with OK. The same message appears at the end of the next program.

Settings

This setting allows you to determine the interval (by hours or date) at which the message appears.

- Factory default: Off
- By time
You can then select a time interval from 1–9999 hours.
- By date
You can enter a date.

Message text

Enter your message for your planned maintenance work. You can edit one, two, or all three of the 1/2/3 messages.

Resetting the display

The message appears until the display is permanently reset. The message then appears again once the next interval is reached.

Supervisor level

External applications

Peak load signal

External hardware is connected via the Miele XCI Box.

The peak-load negotiation function enables the tumble dryer to be connected to an energy-management system. When a signal is registered, the tumble dryer's heater is switched off for a short period or the appliance is prevented from being switched on. The tumble dryer may only be operated with a peak-load system if this system is connected to the tumble dryer via the Miele XCI Box.

- Factory default: No function
- Peak load with 230 V
- Peak load with 0 V
- KOM module

Peak load prevention

With this function, the application of a hygiene program is not amended when a peak-load signal is in place. The heater stays switched on.

- Factory default: Off
- On

Select KOM module

This tumble dryer is equipped with an integrated WiFi module. However, the tumble dryer can also be equipped with an external module.

- Off
- Internal module (factory default)
The internal WiFi module is used.
- External module
An XKM module or RS232 module is inserted into the module slot.

Availability of Miele digital products

The ability of Miele digital products depends on the availability of the services in your country.

The different services are not available in all countries.

For information about availability, please visit www.miele.com.

WiFi / LAN

For the use of WiFi / LAN additional Miele digital products are necessary. The ability of Miele digital products depends on the availability of the services in your country.

The different services are not available in all countries.

For information about availability, please visit www.miele.com.

Control the networking of your tumble dryer.

- Setup
This message only appears if the tumble dryer has not yet been connected to a WiFi network.
- Deactivate (visible when the network is activated)
The network remains set up; the WiFi function is switched off.
- Activate (visible when the network is deactivated)
The WiFi function is reactivated.
- Connection status (visible when the network is activated)
The following values are displayed:
 - The quality of WiFi reception
 - The network name
 - The IP address
- Reset (visible when set up)
Resets the WiFi login (network) to immediately re-establish a new connection.
- Reset (visible if already set up)
The network is no longer set up. A new connection has to be established in order to use the network again.

- The WiFi is switched off
- The WiFi connection will be reset to the factory default setting

WiFi setup

There are 2 possible connection methods.

Via WPS

- Activate the WPS function on your router within 2 minutes.

Tip: If the connection has not been set up when the timeout has finished counting down, repeat the process.

via Soft AP

- Activate the function with the Miele app on your smart device within 10 minutes.

Supervisor level

Network time

The date and time can be synchronized over the network.

- Off

The date and time are not synchronized over the network.

- As master

The machines are in a network but are not connected to the Internet. A machine is declared as the master and sends data to the *slave* appliances.

- As slave

The machines are in a network and are connected to the Internet. All machines are configured as *slaves*. Data is synchronized over the Internet.

Miele's RemoteUpdate function can only be used if the tumble dryer is connected to a WiFi network and you have an account in the Miele Professional app. The tumble dryer must be registered in the app.

See the Miele Professional app for terms and conditions of use.

Some software updates can only be carried out by Miele Technical Service.

Remote

Programs are selected on an external terminal.

Remote Update

The RemoteUpdate function is used for updating the software in your tumble dryer.

Factory default: On

If you do not install a RemoteUpdate, you can continue to use your tumble dryer in the usual way. However, Miele recommends installing RemoteUpdates.

Activation

The RemoteUpdate menu option is only displayed and can only be selected if you have added your tumble dryer to your WiFi network.

Running a RemoteUpdate

If a RemoteUpdate is available for your tumble dryer, it will be displayed automatically when the supervisor level is open.

You can choose to start the RemoteUpdate immediately or wait until later. If you select “Start later”, the prompt to run the RemoteUpdate will be displayed again the next time you switch on your tumble dryer.

The RemoteUpdate can take a few minutes.

Please note the following information about the RemoteUpdate function:

- You will only receive a message when a RemoteUpdate is available.
- Once a RemoteUpdate has been installed, it cannot be undone.
- Do not switch off the tumble dryer during a RemoteUpdate. Otherwise, the RemoteUpdate will be aborted and will not be installed.

SmartGrid

The SmartGrid setting is only visible if a WiFi network has been set up and activated. You can use this function to integrate your tumble dryer into building energy management systems.

Factory default: Off

Machine parameters

Legal Information

Open Source Licenses

You can view information here.

Copyrights and licenses for operator and control software

Miele uses their own and third party software which is not subject to any so-called open source license for the operation and control of the device/appliance. This software/these software components are protected by copyright. The copyright powers of Miele and third parties have to be respected.

Furthermore, this device/appliance contains software components which are distributed under open source license conditions. Please refer to the menu item Settings | Device parameters | Legal information | Open source licenses in the device/appliance for the Open Source components contained therein, together with the corresponding copyright notices, copies of the licensing conditions valid at the time, and any further information. The liability and warranty provisions of the open source licensing conditions as stated therein apply only in relation to the respective rights holders.

Payment system

The XCI-AD or XCI box accessory unit is required to connect a payment system.

Setting for payment systems

If you wish to change the settings after the commissioning process, please contact Miele Technical Service.

You would like to connect a payment system.

- No payment system

Supervisor level

The next settings are skipped and initial commissioning can be completed.

- Program operation

The machine is operated using a coin box. The user purchases a wash program.

- Timed operation

The tumble dryer is coin-operated using a time meter. The user purchases a time-controlled program.

- Timed operation with pulse counter

For payment systems where the usage time is increased each time a coin is inserted.

- COM module

The machine is operated by a central control unit

Feedback sig. to pay system

Setting the feedback signal for the coin box.

- Factory default: Off

- Program end

The feedback signal is sent at the end of the program.

- Release of the start button

The feedback signal is sent when the start button is released.

- Start and end of program

The feedback signal is sent at the start and end of the program.

- Program running

The feedback signal is sent constantly between the start and end of the program.

- Process air temperature

The feedback signal is sent dependent on the temperature if the temperature of the process air is equal to or higher than the set temperature.

Payment system lock

To avoid tampering, a program lock can be set up in program operation. If the lock is applied, the program is interrupted and payment credit is lost as soon as the door is opened.

The time for the lock can be adjusted to prevent laundry being added.

- Factory default: Off
- As soon as the program starts
- 1–5 minutes after the start of the program

Clear paid signal

The “Paid” signal in coin-box mode can be applied until the end of the program or discarded if the program is not started after 5 minutes.

- Factory default: Off
- On

Debounce time

In coin-box mode, the debounce time for the minimum payment signal that must be applied can be adjusted.

- Factory default: Short
 - For coin boxes where the falling coin generates the paid pulse.
- Long
 - For central control units on a 230 V basis.

Pay system override time

Setting the transition signal for the coin box. Security time margin to prevent the coin box being tampered with.

The override time can be set or switched off in increments of one minute from 30 minutes up to 4 hours.

If the program does not end within the transition period, the setting in the coin box is reset. The program is canceled.

Factory default: 3 hours

Supervisor level

Duration Cool air

The running time can be adjusted.

A time of between 10 minutes and 2 hours can be set in five-minute intervals.

Factory default: 2 hours

Duration Warm air

The running time can be adjusted.

A time of between 20 minutes and 2 hours can be set in five-minute intervals.

Factory default: 2 hours

FOC programs

In coin-box mode, you can decide whether the *Timed drying cool air* program can be used for free.

- Factory default: Off
- On

Please have the model and serial number of your machine available when contacting Technical Service.

U.S.A.
Miele, Inc.

National Headquarters

9 Independence Way
Princeton, NJ 08540
Phone: 800-991-9380
www.mieleusa.com/professional
prosales@mieleusa.com

Technical Service & Support

Phone: 800-991-9380
proservice@mieleusa.com

Canada
Importer
Miele Limited

Professional Division

161 Four Valley Drive
Vaughan, ON L4K 4V8
Phone: 1-888-325-3957
www.mieleprofessional.ca
professional@miele.ca

Miele Professional Technical Service

Phone: 1-888-325-3957
serviceprofessional@miele.ca



Manufacturer: Miele & Cie. KG
Carl-Miele-Straße 29, 33332 Gütersloh, Germany

PDR 908 HP

en-US

M.-Nr. 12 451 060 / 01