



OS50F

The OS50F is a low-profile, easy-to-use small fixed mount.



PRODUCT SPECIFICATIONS*

Fits most: 13-49" TVs

Supports up to: 50 lbs (22,7 kg)

Mounting profile: 1.1" (2,8 cm)

VESA compliance: 75x75 to 200x200

Mounting: Single-stud or solid wall

Warranty: 5 years

Color: Black



PRODUCT BENEFITS*

- Low 1.1" (2,8 cm) mounting profile
- Lift n' Lock™ allows you to easily attach your TV to the mount
- Adequate spacing between TV and wall allows for cooling
- Provides ample room for cables and wires between TV and wall
- Durable powder coat finish
- Simple to install and use
- Ships fully assembled
- Includes adapters for greater VESA compatibility
- Includes complete hardware kit

*Subject to change

SERIES:



FULL MOTION



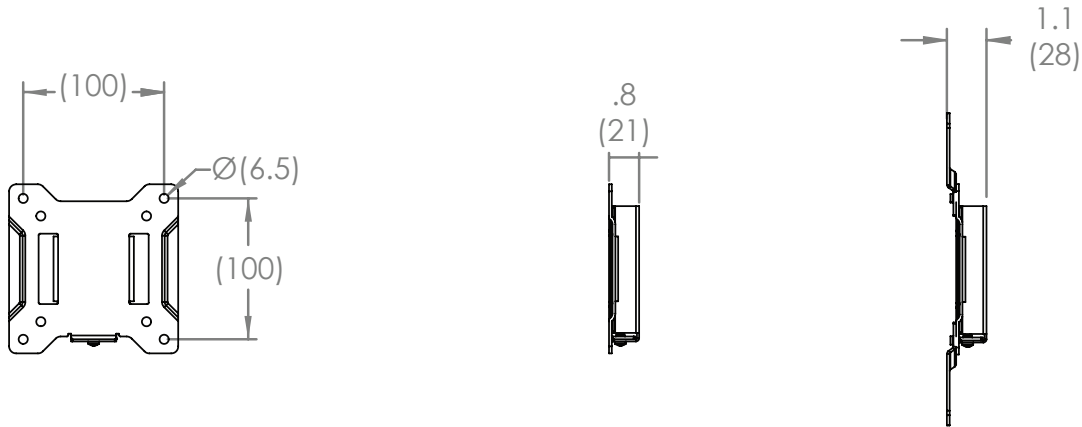
TILT



FIXED

OS50F

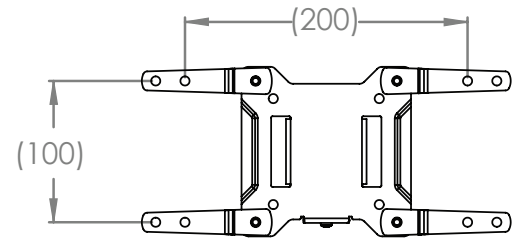
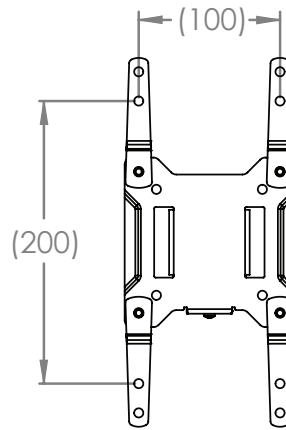
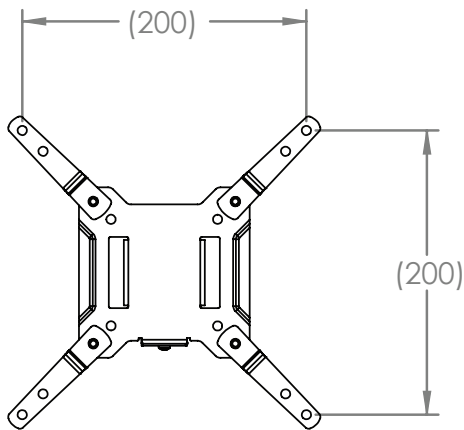
inches (mm)



FRONT VIEW

MOUNTING PROFILE

MOUNTING PROFILE WITH ADAPTERS



PANEL ATTACHMENT -
VESA COMPATIBILITY (mm)
WITH ADAPTERS

	UPC	Dimensions WxDxH inches (mm)	Wt lbs (kg)	Qty
Box	698833021936	7.8 x 7 x 2.2 (197x177x57)	1.3 (0,6)	--
MC	10698833021933	9.2 x 7.7 x 8.9 (234x195x225)	6.2 (2,8)	4

Box Contents	Qty
Wall plate	1
Monitor plate	1
Monitor plate screw	1
V200A adapter	4

Box Contents	Qty
Complete TV hardware kit	1
Complete wall hardware kit	1
Complete hardware kit	1
Instruction Manual	1