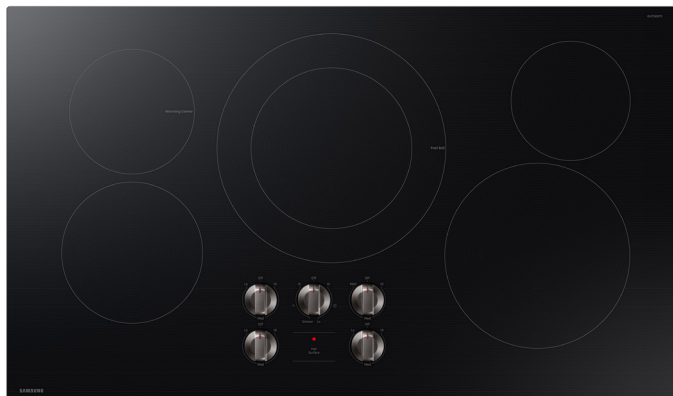


NZ36FG5332RK

SAMSUNG

36" Electric ENERGY STAR® Certified Cooktop with 5 Elements



Available Color



Black
NZ36FG5332RK

Features

- Flexible Cooktop
- Front Controls

Rating



ENERGY STAR®
Rated:

195 kWh/yr

Convenience

- Hot Surface Indicator Light
- Easy-to-Clean Glass, Ceramic Cooktop
- Dishwasher-Safe Knobs

Specifications

Total Power

8.3 kW

Power Source

240V / 60 Hz / 40A

Electric Cooktop

- Left Front: 7", 1.5 kW
- Left Rear: 6", 1 kW (Warming Heater)
- Right Front: 9", 2.5 kW
- Right Rear: 6", 1.2 kW (Melt)
- Center: 9" / 12", 3 kW (Fast Boil & Simmer)

Dimensions

Product Dimensions & Weight (WxHxD)

Outside (Max) Cooktop Dimensions:

36" x 5¹/₈" x 21¹/₄"

Cooktop Cutout Dimensions:

33³/₄" x 5¹/₈" x 19"

Weight: 41.9 lbs

Shipping Dimensions & Weight (WxHxD)

Dimensions: 40³/₈" x 8⁷/₁₆" x 25¹/₁₆"

Weight: 47 lbs

Warranty

One (1) Year All Parts and Labor
Five (5) Years Parts Warranty for
Glass Cooktop and Radiant Heater

UPC

Color	Model #	UPC Code
Black	NZ36FG5332RK	887276937212



ADA Compliant

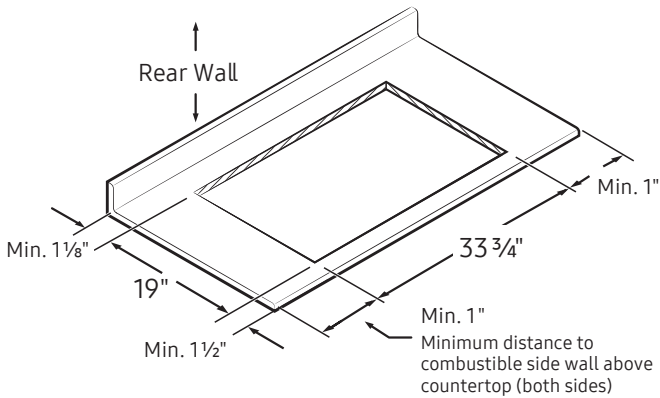
NZ36FG5332RK

SAMSUNG

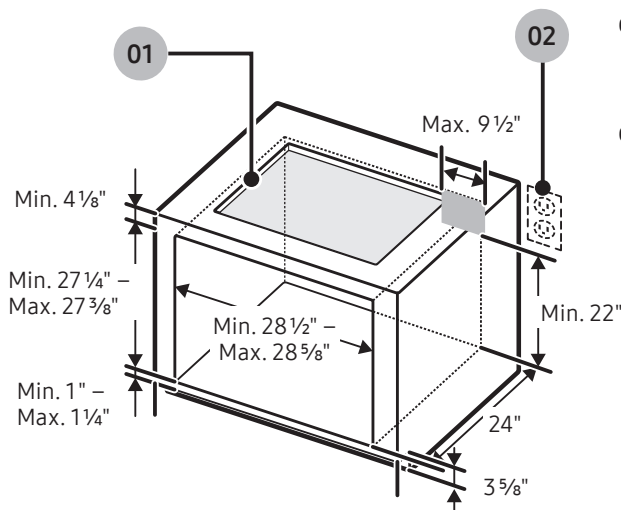
36" Electric ENERGY STAR® Certified Cooktop with 5 Elements

Installation Specifications

Countertop cutout and minimum clearance dimensions:

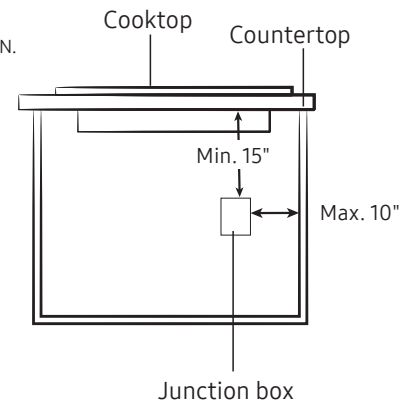


Installing Over a Single Oven



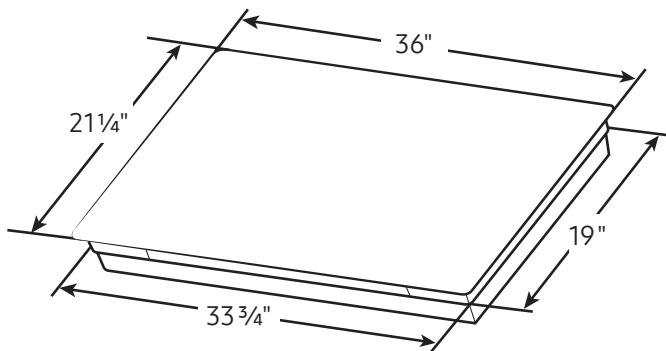
01 See built-in oven installation for complete installation instructions. See label on top of approved built-in oven models.

02 Refer to Installation Manual of OVEN.

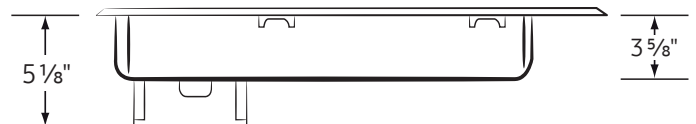


Dimensions

Front View



Side View



Actual color may vary. Design, specifications, and color availability are subject to change without notice. Non-metric weights and measurements are approximate.

©2024 Samsung Electronics America, Inc. 85 Challenger Road, Ridgefield Park, NJ 07660. Tel: 800-SAMSUNG. samsung.com. Samsung is a registered trademark of Samsung Electronics Co. Ltd.