

NZ30K7880US

30" Induction Cooktop

Features

- Power Boost
- Wi-Fi Connectivity
- Bluetooth Connected to Hood
- 15 Power Levels plus Booster
- Simmer
- Melt Setting
- 5 Induction Elements – Including 4800W Dual Element – 7"/11"
- 8.6 kW Power
- 2-Stage Residual Heat Indicator
- ADA Compliant

Convenience

- Kitchen Timer
- Child Safety Lock
- Safety Shutoff
- Direct Access
- Quick Stop/Start/Pause Controls
- Demo Mode



ADA Compliant



Flex Zone



Magnetic Knob

Available Colors



Stainless Steel (shown)



Black Stainless Steel

Signature Features

VIRTUAL FLAME™ TECHNOLOGY

- LED Surface lights shine onto pans to give the visual of gas cooking, with the precision of induction.

FLEX ZONE

- Large cooking area designed to adapt to different pot shapes and sizes for optimal flexibility.

DIGITAL-ANALOG CONTROLS

- The ultimate interface, choose between a removable magnetic analog-knob or digital touch controls.

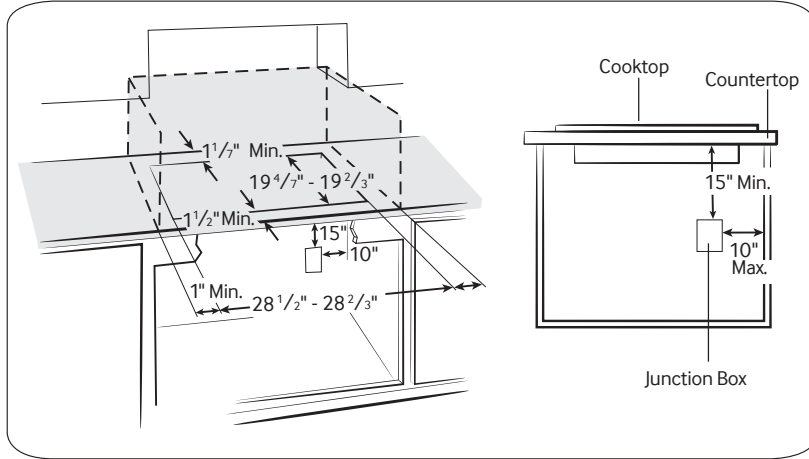
SAMSUNG

NZ30K7880US

30" Induction Cooktop

Installing Your Cooktop

Can be installed over a single oven.



Total Power

8.6 kW

Power Source

240V / 60 Hz / 40A

Induction Cooktop

- Left Front: Flex Zone 1800W (Boost 2600W)
- Left Rear: Flex Zone 1800W (Boost 2600W)
- Right Front: 6" (Virtual Flame™) 1400W (Boost 1800W)
- Center: 7/11" (Virtual Flame™) 3600W (Boost 4800W)
- Flex Zone: $7\frac{11}{16}'' \times 15\frac{3}{4}''$

Warranty

One (1) Year All Parts and Labor

Five (5) Years Parts Warranty for Glass Cooktop

Product Dimensions & Weight (WxHxD)

Outside (Max) Cooktop Dimensions:

$30'' \times 4'' \times 21\frac{1}{4}''$

Cooktop Cut-Out Dimensions:

$28\frac{1}{2}'' \times 4'' \times 19\frac{4}{7}''$

Weight: 49.8 lbs.

Shipping Dimensions & Weight (WxHxD)

Dimensions:

$34'' \times 7\frac{5}{16}'' \times 25''$

Weight: 60.8 lbs.

Color

Stainless Steel

Model

NZ30K7880US

UPC Code

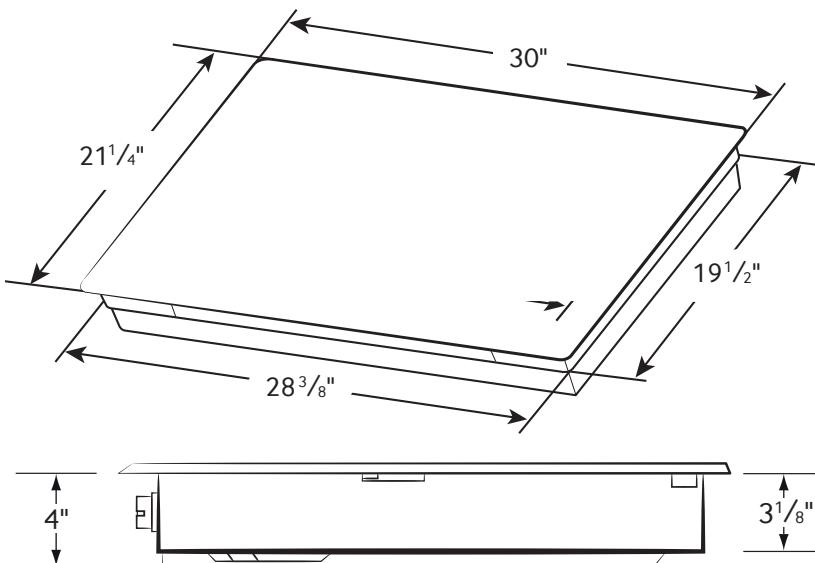
887276183190

Black Stainless Steel

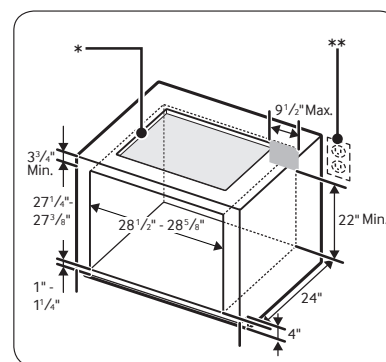
NZ30K7880UG 887276183435

Dimensions

Cooktop Dimensions



Cut-Out Dimensions of Countertop



- * See built-in oven installation for complete installation instructions. See label on top of approved built-in oven models.
- ** Refer to installation manual of oven.

SAMSUNG

Actual color may vary. Design, specifications, and color availability are subject to change without notice. Non-metric weights and measurements are approximate.

©2017 Samsung Electronics America, Inc. 85 Challenger Road, Ridgefield Park, NJ 07660. Tel: 800-SAMSUNG. samsung.com. Samsung is a registered trademark of Samsung Electronics Co., Ltd.