

# NZ30FG5332RK

SAMSUNG

## 30" Electric ENERGY STAR® Certified Cooktop with 4 Elements



### Available Color



Black  
NZ30FG5332RK

### Features

- Flexible Cooktop
- Front Controls

### Convenience

- Hot Surface Indicator Light
- Easy-to-Clean Glass, Ceramic Cooktop
- Dishwasher-Safe Knobs

### Dimensions

#### Product Dimensions & Weight (WxHxD)

Outside (Max) Cooktop Dimensions:

30" x 5<sup>1</sup>/<sub>8</sub>" x 21<sup>1</sup>/<sub>4</sub>"

Cooktop Cutout Dimensions:

28<sup>3</sup>/<sub>8</sub>" x 5<sup>1</sup>/<sub>8</sub>" x 19<sup>7</sup>/<sub>16</sub>"

Weight: 38.1 lbs

#### Shipping Dimensions & Weight (WxHxD)

Dimensions: 34<sup>1</sup>/<sub>4</sub>" x 7<sup>1</sup>/<sub>4</sub>" x 25<sup>1</sup>/<sub>16</sub>"

Weight: 42.3 lbs

### Rating



ENERGY STAR®  
Rated:

195 kWh/yr

### Specifications

#### Total Power

7.2 kW

#### Power Source

240V / 60 Hz / 40A

#### Electric Cooktop

- Left Front: 7", 1.5 kW
- Left Rear: 6", 1.2 kW (Simmer)
- Right Front: 5" / 8", 2 kW
- Center: 9", 2.5 kW

### Warranty

One (1) Year All Parts and Labor  
Five (5) Years Parts Warranty for  
Glass Cooktop and Radiant Heater

### UPC

Color	Model #	UPC Code
Black	NZ30FG5332RK	887276937205



ADA Compliant

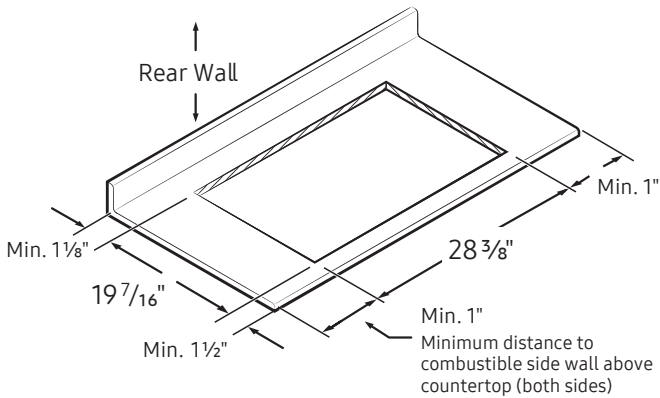
# NZ30FG5332RK

SAMSUNG

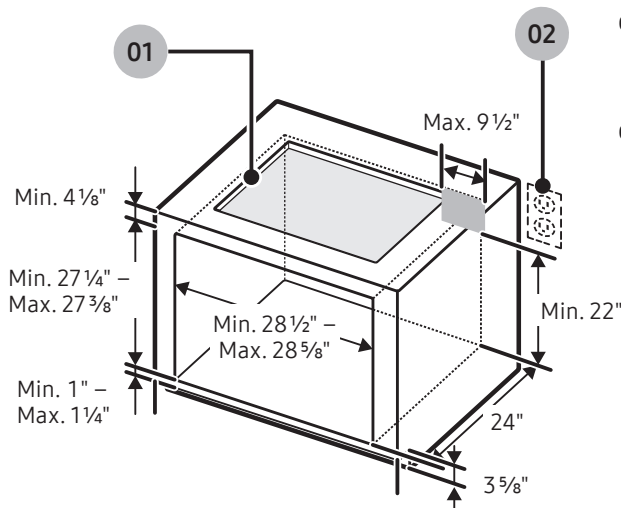
## 30" Electric ENERGY STAR® Certified Cooktop with 4 Elements

### Installation Specifications

Countertop cutout and minimum clearance dimensions:



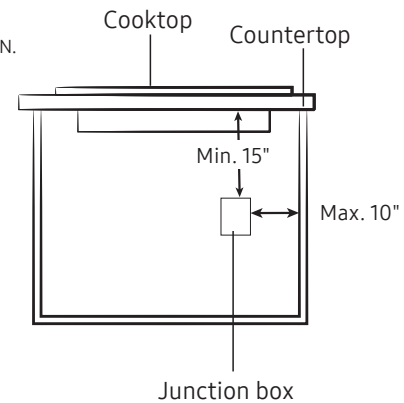
### Installing Over a Single Oven



01 See built-in oven installation for complete installation instructions.

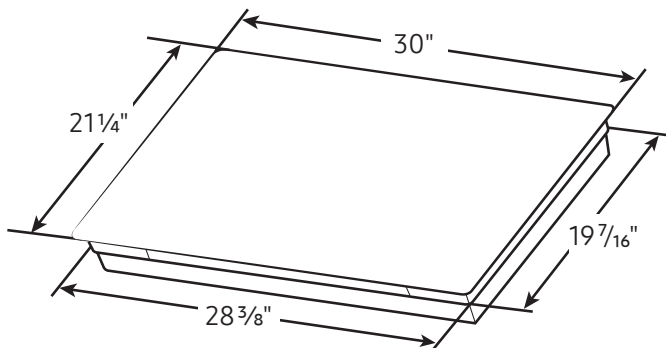
See label on top of approved built-in oven models.

02 Refer to Installation Manual of OVEN.

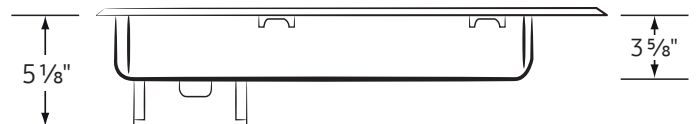


### Dimensions

Front View



Side View



Actual color may vary. Design, specifications, and color availability are subject to change without notice. Non-metric weights and measurements are approximate.

©2024 Samsung Electronics America, Inc. 85 Challenger Road, Ridgefield Park, NJ 07660. Tel: 800-SAMSUNG. samsung.com. Samsung is a registered trademark of Samsung Electronics Co. Ltd.