


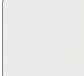
# NSI6D\*9300

# SAMSUNG

Bespoke Smart Slide-In Induction Range 6.3 cu. ft.  
with Anti-Scratch Glass Cooktop & Air Fry



## Available Colors

-  **Stainless Steel**  
NSI6DG9300SR
-  **White Glass**  
NSI6DB930012

## Features

- Anti-Scratch Matte Glass Cooktop
- Air Fry, Tray Included
- Convection
- 2.25" LCD
- Dual Noise Cancellation
- Self & Steam Clean
- Storage Drawer

## Convenience

- Wi-Fi Connectivity
- Voice-Enabled
- Convection Auto Conversion
- Self & Steam Clean
- Hidden Bake Element
- Child Safety Lock
- Delay Start
- Auto Oven Light
- Kitchen Timer
- Sabbath Mode

## Specifications

### Induction Cooktop

- Right Front: 11" 2,400W, Boost 4,300W
- Left Front: 7" 1,800W, Boost 2,300W (Sync)
- Right Rear: 6" 1,200W, Boost 2,000W
- Left Rear: 7" 1,800W, Boost 2,300W (Sync)

### Oven

- Capacity: 6.3 cu. ft.
- Convection Bake
- Convection Roast
- Bake
- Variable Broil: Low/High
- Air Fry
- Keep Warm
- Bread Proof
- Dehydrate

## Dimensions

### Oven Interior Dimensions (WxHxD)

Dimensions: 24<sup>13</sup>/<sub>16</sub>" x 22<sup>7</sup>/<sub>16</sub>" x 19<sup>3</sup>/<sub>4</sub>"

### Product Dimensions (WxHxD)

Dimensions: 29<sup>15</sup>/<sub>16</sub>" x 36" – 36<sup>3</sup>/<sub>4</sub>" (Adj.) x 27<sup>7</sup>/<sub>8</sub>"  
Weight: 172.2 lbs

### Shipping Dimensions & Weight (WxHxD)

Dimensions: 33<sup>1</sup>/<sub>16</sub>" x 41<sup>1</sup>/<sub>8</sub>" x 30<sup>5</sup>/<sub>16</sub>"  
Weight: 191.8 lbs

## Warranty

One (1) Year Parts and Labor

## UPC

Finish	Model #	UPC Code
Stainless Steel	NSI6DG9300SR	887276816180
White Glass	NSI6DB930012	887276816111

## Rating



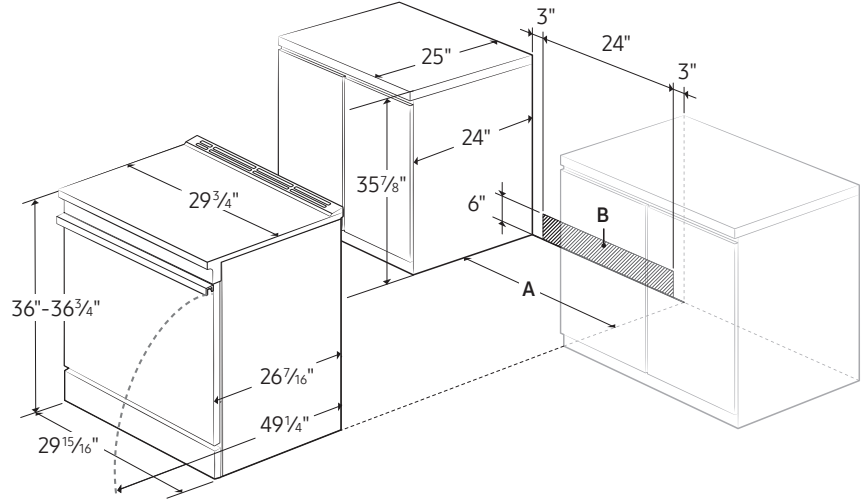
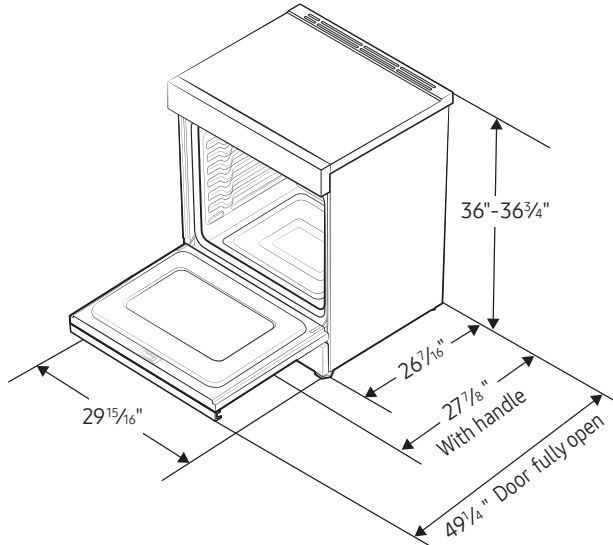
ENERGY STAR® Rated:  
189 kWh/yr

# NSI6D\*9300

# SAMSUNG

Bespoke Smart Slide-In Induction Range 6.3 cu. ft.  
with Anti-Scratch Glass Cooktop & Air Fry

## Installation Specifications



### Electrical Requirements

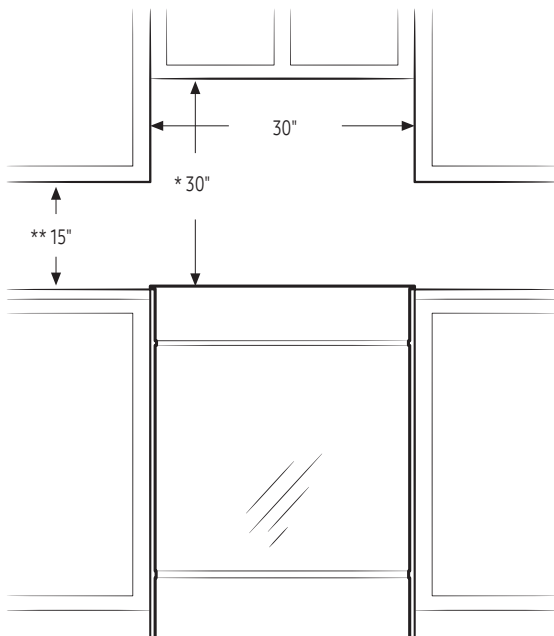
240V/208V/60 Hz

40 Amps

A: Cabinet opening min 30"

B: Acceptable electrical outlet area

**IMPORTANT:** If your cabinets are over 36<sup>3</sup>/<sub>4</sub>" high, you must install this range on a hard, heat resistant support that raises the surface of the range so that it is about even with the countertop.



\* 30" minimum clearance between the top of the cooking surface and the bottom of an unprotected wood or metal cabinet; or 24" minimum when the bottom of the wood or metal cabinet is protected by not less than 1/4" of flame retardant millboard covered with not less than no.28 MSG sheet steel, 0.015" stainless steel, 0.024" aluminum, or 0.020" copper.

\*\*15" minimum between the countertop and the adjacent cabinet bottom.

**IMPORTANT:** Consult with Installation Manual for detailed instructions before installing. All ranges must be installed with the Anti-Tip device that is included.

